



Built-in Oven

User Manual

Four Encastrable

Manuel d'utilisation

Vestavná trouba

Návod k použití



BBIE12100XD-BBIE12100XC-BBIE12100BD

EN / FR / CZ

385.4403.85/R.AC/17.06.2021/4-2
7727188411-7727188412-7727188414

Dear Customer,

Please read this manual before using the product.

Beko thank you for choosing the product. We want your product, manufactured with high quality and technology, to offer you the best efficiency. To do this, carefully read this manual and any other documentation provided before using the product and keep it as a reference. If you give the product to someone else, give the manual with it. Follow the instructions, taking into account all the information and warnings stated in the user manual.

Heed all information and warnings in the user manual. This way, you will protect yourself and your product against the dangers that may occur.

Keep the user manual. If you give the product to someone else, give the manual with it. The user manual contains the following symbols:



Hazard that may result in death or injury.

NOTICE Hazard that may result in material damage to the product or its environment.



Hazard that may result in burns due to contact with hot surfaces.



Important information or useful usage tips.



Read the user manual.



Arçelik A.Ş.
Karaağaç caddesi No:2-6
34445 Sütlüce/İstanbul/TURKEY
Made in TURKEY

This product was manufactured using the latest technology in environmentally friendly conditions.

TABLE OF CONTENTS

1 Safety instructions 4

Purpose of usage.....	4
Child, vulnerable person and pet safety.....	4
Electrical safety.....	5
Transportation safety.....	7
Installation safety.....	7
Safety of use.....	7
Temperature warnings.....	8
Accessory use.....	8
Cooking safety.....	8
Maintenance and cleaning safety.....	9

2 Environmental Instructions 10

Waste regulation.....	10
Compliance with the WEEE Directive and Disposing of the Waste Product.....	10
Package information.....	10
Recommendations for energy saving.....	10

3 Your product 11

Product introduction.....	11
Product control panel introduction and usage	12
Oven control.....	12
Oven operating functions.....	13
Product accessories.....	14
Use of product accessories.....	15
Technical specifications.....	18

4 First use 19

First cleaning.....	19
---------------------	----

5 How to operate the oven 20

General information on oven usage.....	20
Operation of the oven control unit.....	20

6 General information about cooking 22

General warnings about cooking in the oven	22
Pastries and oven food.....	22
Meat, Fish and Poultry.....	24
Grill.....	25
Test foods.....	26

7 Maintenance and care 27

General cleaning information.....	27
Cleaning the accessories.....	28
Cleaning the control panel.....	28
Cleaning the inside of the oven (cooking area)	28
Easy Steam Cleaning.....	29
Cleaning the oven door.....	30
Removing the inner glass of the oven door.....	31
Cleaning the oven lamp.....	32

8 Troubleshooting 34

1 Safety instructions

- This section contains safety instructions that will help prevent any risks of personal injuries or material damage.
 - If the product is transferred to another person or used second hand, the operating manual, product labels, other relevant documents and accessories should be delivered with the product.
 - Our company shall not be held responsible for any damage that may occur as a result of failure to comply with these instructions.
 - Failure to comply with these instructions shall render any warranty void.
 - **⚠** Always have the installation and repair work performed by the manufacturer, the authorized service or a person specified by the importer.
 - **⚠** Use genuine spare parts and accessories only.
 - **⚠** Do not attempt to repair or replace any part of the product unless it is clearly specified in the operating manual.
 - **⚠** Do not perform technical modifications on the product.
- ⚠ Purpose of usage**
- This product is designed for home use. It is not suitable for commercial use.
 - Do not use the product in gardens, balconies or other outdoor environments. The appliance is intended to be used in household and staff kitchen areas in shops, offices and other working environments.
 - **WARNING:** This product should be used for cooking purposes only. It should not be used for different purposes, such as heating the room.
 - The oven can be used to defrost, bake, fry and grill food.
 - This product; should not be used for heating, plate heating, hanging towels or clothes on the handle for drying.
- ⚠ Child, vulnerable person and pet safety**
- This product can be used by children 8 years of age and

- older, and people who are underdeveloped in physical, sensory or mental skills, or lack of experience and knowledge, as long as they are supervised or trained about the safe use and hazards of the product.
- Children should not play with the product. Cleaning and user maintenance should not be performed by children unless there is someone overseeing them.
 - This product should not be used by people with limited physical, sensory or mental capacity (including children), unless they are kept under supervision or receive the necessary instructions.
 - Children should be supervised to ensure that they do not play with the product.
 - Electrical products are dangerous for children and pets. Children and pets must not play with, climb on, or enter the product.
 - Do not put objects that children may reach on the product.
 - **WARNING:** During use, the accessible surfaces of the

product are hot. Keep children away from the product.

- Keep the packaging materials out of the reach of children. There is a hazard of injury and suffocation.
- When the door is open, do not put any heavy objects on it or allow children to sit on it. You may cause the oven to tip over or damage the door hinges.
- For the safety of children, disconnect the power plug and make the product inoperable before disposing of the product.



Electrical safety

- Plug the product into a grounded outlet protected by a fuse that matches the current ratings indicated on the type label. Have the grounding installation made by a qualified electrician. Do not use the product without grounding in accordance with local / national regulations.
- The plug or the electrical connection of the product should be in an easily accessible place (where it will not be affected by the flame

of the stove). If this is not possible, there should be a mechanism (fuse, switch, switch, etc.) on the electrical installation to which the product is connected, in compliance with the electrical regulations and separating all poles from the network.

- The product must not be plugged into the outlet during installation, repair, and transportation.
- Do not plug the product into an outlet that is loose, has come out of its socket, is broken, dirty, oily, with risk of water contact (for example, water that may leak from the counter).
- Never touch the plug with wet hands! To unplug, do not hold the cord, always hold the plug.
- Make sure that the product plug is securely plugged into the outlet to avoid arcing.
- Plug the product into an outlet that meets the voltage and frequency values specified on the type label.
- Do not jam the power cord under and behind the product. Do not put a heavy object on the power cord.

The power cord should not be bent, crushed, and come into contact with any heat source.

- While the oven is operating, its back surface also gets hot. Power cords must not touch the back surface, connections may be damaged.
- Do not jam the electric cables into the oven door and pass them over hot surfaces. You may cause the oven to short circuit and catch fire as a result of the cable melting.
- Use original cable only. Do not use cut or damaged cables or extension leads.
- If the power cord is damaged, it must be replaced by a manufacturer, an authorized service or a person to be specified by the importer company in order to prevent possible dangers.
- **WARNING:** Before replacing the oven lamp, be sure to disconnect the product from the mains supply to avoid the risk of electric shock. Unplug the product or turn off the fuse from the fuse box.

Transportation safety

- Disconnect the product from the mains before transporting the product.
- The product is heavy, carry the product with at least two people.
- Do not use the door and / or handle to transport or move the product.
- Do not put other items on the product and carry the product upright.
- When you need to transport the product, wrap it with bubble wrap packaging material or thick cardboard and tape it tightly. Secure the product tightly with tape to prevent the removable or moving parts of the product and the product from damage.
- Check the overall appearance of the product for any damage that may have occurred during transportation.

Installation safety

- Before the product is installed, check the product for any damage. If the

product is damaged, do not install it.

- Do not install the product near heat sources (radiators, stoves, etc.).
- Keep all ventilation ducts open around the product.
- To prevent overheating, the product should not be installed behind decorative doors.

Safety of use

- Make sure that the product is turned off after each use.
- If you do not use the product for a long time, unplug it or turn off the fuse from the fuse box.
- Do not operate defective or damaged product. If any, disconnect the electricity / gas connections of the product and call the authorized service.
- Do not use the product with the front door glass removed or broken.
- Do not climb on the product to reach anything or for any other reason.
- Do not use the product in situations that may affect your judgment, such as drug intake and / or alcohol use.

- Flammable objects kept in the cooking area may catch fire. Never store flammable objects in the cooking area.
- The oven handle is not a towel dryer. When using the product, do not hang towels, gloves or similar textiles.
- The hinges of the product door move and tighten when opening and closing the door. When opening / closing the door, do not hold the part with the hinges.

Temperature warnings

- **WARNING:** While the product is operating, exposed parts will be hot. Do not touch the product and heating elements. Children under the age of 8 should not be brought close to the product without an adult.
- Do not place flammable / explosive materials near the product, as the edges will be hot while it is operating.
- As steam may be exhaled, keep away while opening the oven door. The steam may burn your hand, face and / or eyes.
- The product may be hot during use. Do not touch the

hot compartments, the interior parts of the oven, the heating elements, etc.

- When placing food in the hot oven, removing the food, etc. always use heat resistant oven gloves.

Accessory use

- It is important that the wire grill and tray are placed properly on the wire shelves. For detailed information, refer to the section "Usage of accessories".
- Accessories can damage the door glass when closing the product door. Always push the accessories to the end of the cooking area.

Cooking safety

- Be careful when using alcohol in your food. Alcohol evaporates at high temperatures and may catch fire when exposed to hot surfaces, causing a fire.
- Food waste, oil, etc. in the cooking area may catch fire. Before cooking, remove such coarse dirt.
- Food Poisoning Hazard: Do not keep food in the oven for more than an hour before

and after cooking. Otherwise it may cause food poisoning or diseases.

- Do not heat closed tin cans and glass jars. Built up pressure may cause the jar to burst.
- Place the greaseproof paper in a cookware or on the oven accessory (tray, wire grill, etc.) with food and place it in the preheated oven. Remove any excessive pieces of greaseproof paper hanging from the accessory or container to avoid the risk of touching the oven heating elements. Never use greaseproof paper at an oven temperature higher than the maximum use temperature specified on the greaseproof paper you are using. Never place greaseproof paper on the oven base.
- Do not place baking trays, plates or aluminum foil directly on the bottom of the oven. The accumulated heat can damage the base of the oven.

- Close the oven door during grilling. Hot surfaces may cause burns!
- Food not suitable for grilling carries a fire hazard. Grill only food that is suitable for heavy grill fire. Also, do not place the food too far in the back of the grill. This is the hottest area and fatty foods may catch fire.



Maintenance and cleaning safety

- Wait for the product to cool before cleaning the product. Hot surfaces may cause burns!
- Never wash the product by spraying or pouring water on it! There is an electric shock hazard!
- Do not clean the product with steam cleaners as this may cause electric shock.
- Do not use harsh abrasive cleaners, metal scrapers, wire wool or bleach materials to clean the oven front door glass / (if present) oven upper door glass. These materials can cause glass surfaces to be scratched and broken.

2 Environmental Instructions

Waste regulation

Compliance with the WEEE Directive and Disposing of the Waste Product



This product complies with EU WEEE Directive (2012/19/EU). This product bears a classification symbol for waste electrical and electronic equipment (WEEE).

This product has been manufactured with high quality parts and materials which can be reused and are suitable for recycling. Do not dispose of the waste product with normal domestic and other wastes at the end of its service life. Take it to the collection center for the recycling of electrical and electronic equipment. Please consult your local authorities to learn about these collection centers.

Appropriate disposal of used appliance helps prevent potential negative consequences for the environment and human health.

Compliance with RoHS Directive:

The product you have purchased complies with EU RoHS Directive (2011/65/EU). It does not contain harmful and prohibited materials specified in the Directive.

Package information

- Packaging materials of the product are manufactured from recyclable materials in accordance with our National Environment Regulations. Do not dispose of the packaging materials together with the domestic or other wastes. Take them to the packaging material collection points designated by the local authorities.

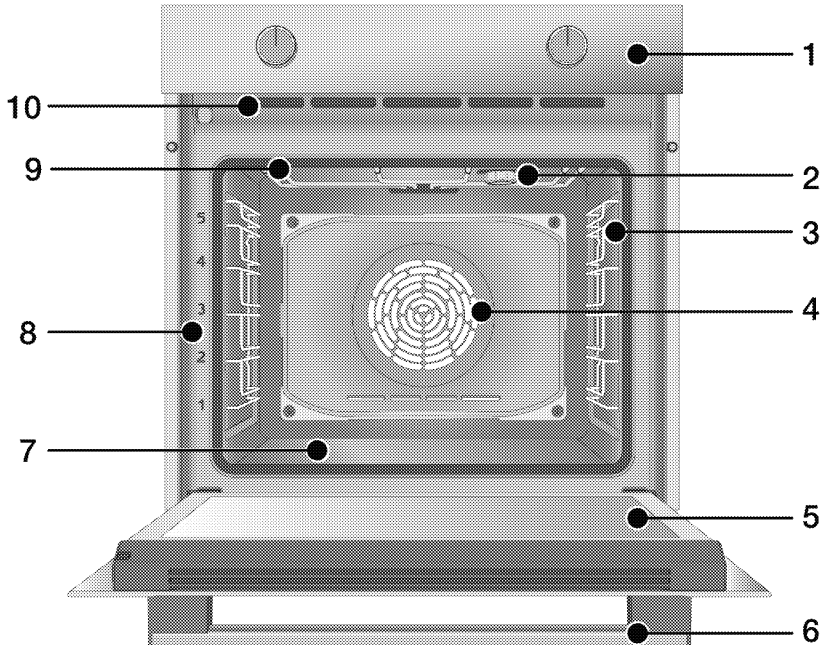
Recommendations for energy saving

The following suggestions will help you use your product in an ecological and energy-efficient way:

- Defrost frozen food before cooking.
- In the oven, use dark or enamelled containers that transmit heat better.
- Turn off the product 5 to 10 minutes before the end time of cooking for prolonged cooking. Now you can save up to 20% electricity by using heat.
- If specified in the recipe or user manual, always preheat. Do not open the oven door frequently during cooking.
- Try to cook more than one dish at a time in the oven. You can cook at the same time by placing two cooking containers on the wire shelf. In addition, if you cook your meals one after the other, it will save energy because the oven will not lose its heat.

3 Your product

Product introduction



- 1 Control panel
- 2 Lamp*
- 3 Wire shelves**
- 4 Fan motor (behind steel plate)
- 5 Door
- 6 Handle
- 7 Bottom heater (bottom steel plate)
- 8 Shelf positions
- 9 Top heater
- 10 Ventilation holes

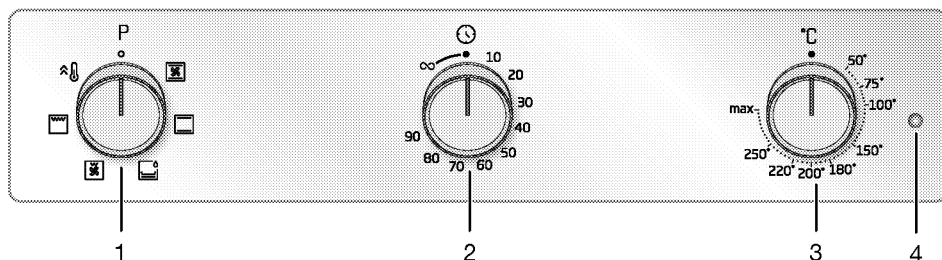
* It depends on the model. Your product may not have a lamp, or the type and location of the lamp may differ from the illustration.

** It depends on the model. Your product may be without wire shelves. In the illustration, wire shelves are shown as examples.

Product control panel introduction and usage

In this section, you can find the overview and basic uses of the product's control panel. There may be differences in images and some features depending on the type of product.

Oven control



- 1 Function selection knob
- 2 Timer knob (It depends on the model. Your product's timer may be 100 or 90 minutes.)
- 3 Temperature knob
- 4 Thermostat lamp

If there are knob (s) controlling your product, these knob (s) may be recessed in the panel that come out when pressed in on some models. For settings to be made with these knobs, first push the relevant knob in and pull out the knob. After making your adjustment, press it in again and replace the knob.

Function selection knob

You can select the oven operating functions with the function selection knob. Turn left / right from closed (top) position to select.

Temperature knob


You can select the temperature you want to cook with the temperature knob.


Turn clockwise from the closed (top) position to select.

Temperature indicator

You can understand the oven interior temperature from the temperature lamp. The temperature lamp is located on the control panel. The temperature lamp turns on when the product starts, and the temperature lamp turns off when it reaches the set temperature. When the temperature inside the oven drops below the set temperature, the temperature lamp turns on again.







Timer

You can cook by setting a certain cooking time with the timer knob. If you turn the knob to the  symbol, you can cook manually (under your control).

Indicator	Description
10-100	Adjustable cooking time
	Manual cooking symbol

Oven operating functions

On the function table; the operating functions you can use in your oven and the highest and lowest temperatures that can be set for these functions are shown. The order of the operating modes shown here may differ from the arrangement on your product.

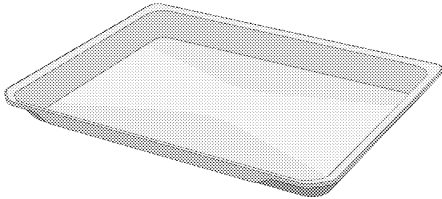
Function symbol	Function description	Temperature range (°C)	Description and use
	Top and bottom heating	*	Food is heated from above and below at the same time. Suitable for cakes and stews in baking molds or cakes and pastries. Cooking is done with a single tray.
	Bottom heating	*	Only lower heating is on. It is suitable for foods that need browning on the bottom. This function should also be used for easy steam cleaning.
	Fan assisted bottom/top heating	*	The hot air heated by the upper and lower heaters is distributed equally and rapidly throughout the oven with the fan. Cooking is done with a single tray.
	Full grill	*	The large grill on the oven ceiling works. It is suitable for grilling in large amounts.
	Fan assisted low grill	*	The hot air heated by the small grill is quickly distributed into the oven with the fan. It is suitable for grilling smaller amounts.
	Quick heating	-	All the heaters of the oven work. This operating function is used to quickly bring the oven to the desired temperature (preheating). Do not use it for cooking food.

* Your product operates in the temperature range specified on the temperature knob.

Product accessories

There are various accessories in your product. In this section, the description of the accessories and the descriptions of the correct usage are available. Depending on the product model, the supplied accessory varies. All accessories described in the user guide may not be available in your product.

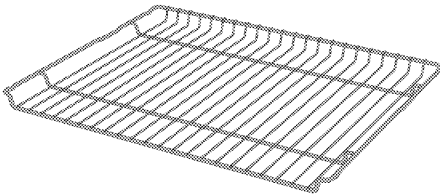
NOTICE : The trays in your product may be deformed by the effect of the temperature. This has no effect on the function. Deformation disappears when the tray cools down.



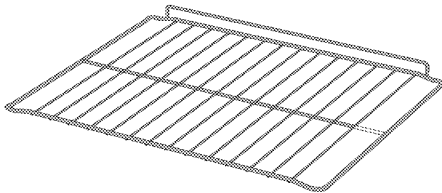
Standard tray

It is used for pastries, frozen foods and frying large pieces.

Models with wire shelves:



Models without wire shelves:



Wire grill

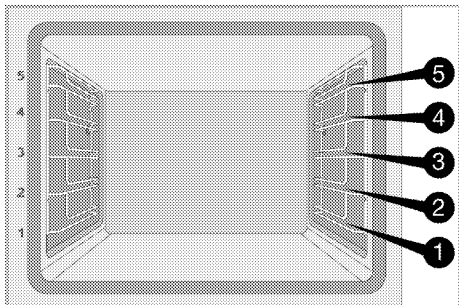
It is used for frying or placing the food to be baked, fried and stewed on the desired shelf.

Use of product accessories

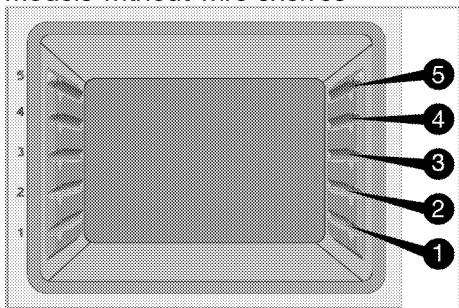
Cooking shelves

There are 5 levels of shelf position in the cooking area. You can also see the order of the shelves in the numbers on the front frame of the oven.

Models with wire shelves



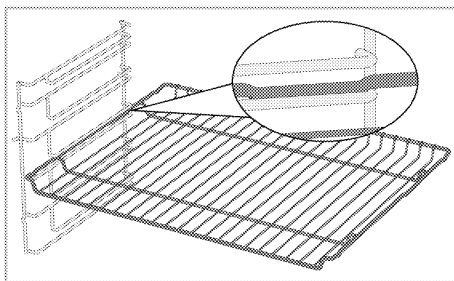
Models without wire shelves



Placing the wire grill on the cooking shelves

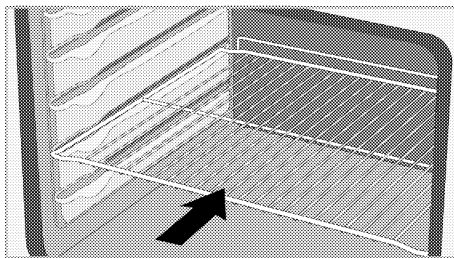
Models with wire shelves:

It is crucial to place the wire grill on the wire side shelves properly. While placing the wire grill on the desired shelf, the open section must be on the front. For better cooking, the wire grill must be secured with the stopper on the wire shelf. It must not pass over the stopper to contact with the rear wall of the oven.



Models without wire shelves:

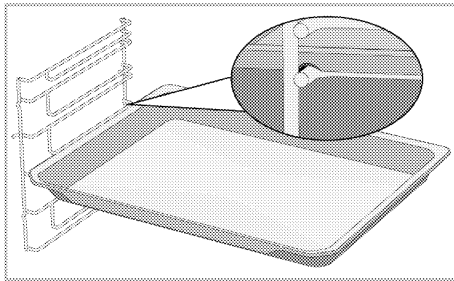
It is crucial to place the wire grill on the side shelves properly. The wire grill has one direction when placing it on the shelf. While placing the wire grill on the desired shelf, the open section must be on the front.



Placing the tray on the cooking shelves

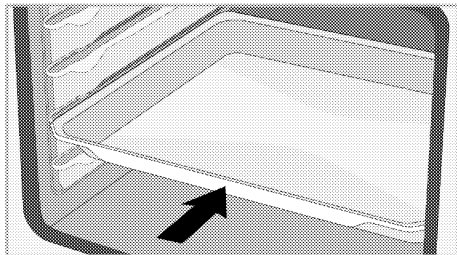
Models with wire shelves:

It is also crucial to place the trays on the wire side shelves properly. While placing the tray on the desired shelf, its side designed for holding must be on the front. For better cooking, the tray must be secured with the stopper on the wire shelf. It must not pass over the stopper to contact with the rear wall of the oven.



Models without wire shelves:

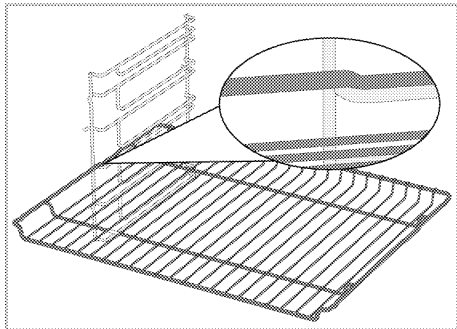
It is also crucial to place the trays on the side shelves properly. The tray has one direction when placing it on the shelf. While placing the tray on the desired shelf, its side designed for holding must be on the front.



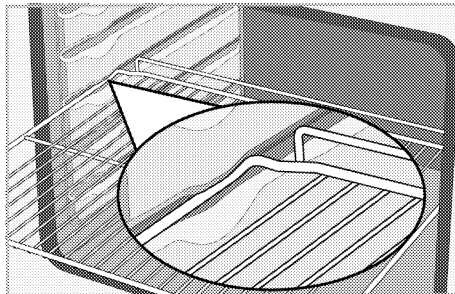
Stopper function of the wire grill

There is a stopper function to prevent the wire grill from tipping out of the wire shelf. With this function, you can easily and safely take out your food. While removing the wire grill, you can pull it forward until it reaches the stopper. You must pass over the stopper to remove it completely.

Models with wire shelves

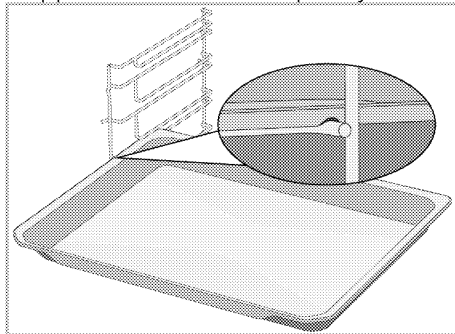


Models without wire shelves



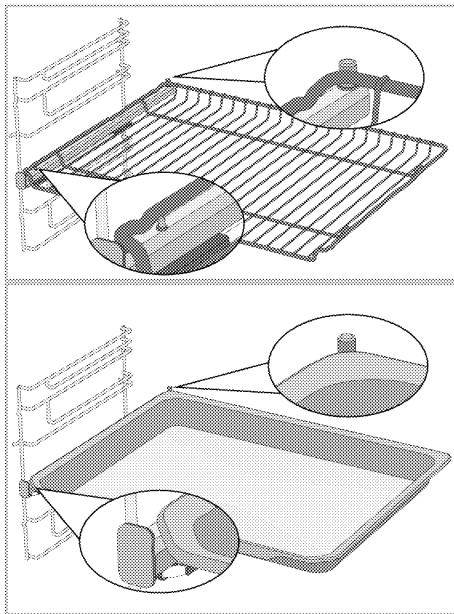
Stopper function of the wire grill tray - Models with wire shelves

There is also a stopper function to prevent the tray from tipping out of the wire shelf. While removing the tray, release it from the rear lock and pull it towards yourself until it reaches the stopper. You must pass over the stopper to remove it completely.



Proper placement of the wire grill and tray on the telescopic rails- Models with wire shelves and telescopic rails

Thanks to telescopic rails, trays or the wire grill can be easily installed and removed. When using trays and wire grills with the telescopic rail, care should be taken that the pins, on the front and back of the telescopic rails, rest against the edges of the grill and the tray (shown in the figure).



Technical specifications

General specifications

Product external dimensions (height/width/depth)	595 mm/594 mm/567 mm
Oven installation dimensions (height/width/depth)	590 or 600 mm/560 mm/min. 550 mm
Voltage / frequency	220-240 V ~ 50 Hz
Cable type and cross section used / suitable for use in the product	min. H05VV-FG 3 x 1,5 mm ²
Total power consumption	2.4 kW
Oven type	Fan assisted oven

Basics: Information on the energy label of electrical ovens is given in accordance with the EN 60350-1 / IEC 60350-1 standard. Those values are determined under standard load with bottom-top heater or fan assisted heating (if any) functions.

Energy efficiency class is determined in accordance with the following prioritization depending on whether the relevant functions exist on the product or not: 1-Eco fan heating, 2-Fan Heating 3- Fan assisted low grill, 4-Top and bottom heating.



Technical specifications may be changed without prior notice to improve the quality of the product.



Figures in this manual are schematic and may not exactly match your product.



Values stated on the product labels or in the documentation accompanying it are obtained in laboratory conditions in accordance with relevant standards. Depending on operational and environmental conditions of the product, these values may vary.

4 First use

Before you start using your product, it is recommended to do the following in the following sections.

First cleaning

1. Remove all packaging materials.
2. Remove all accessories from the oven provided within the product.
3. Turn the product on for 30 minutes and then, turn it off. This way, residues and layers that may have remained in the oven during production are burned and cleaned.
4. When operating the product, select the highest temperature and the operating function that all the heaters in your product operate. See "Oven operating functions". You can learn how to operate the oven in the following section.
5. Wait for the oven to cool.
6. Wipe the surfaces of the product with a wet cloth or sponge and dry with a cloth.

Before using the accessories;

Clean the accessories you remove from the oven with detergent water and a soft cleaning sponge.

NOTICE The surface might get damaged by some detergents or cleaning materials. Do not use aggressive detergents, cleaning powders/creams or any sharp objects during cleaning.

NOTICE Smoke and smell may emit for a couple of hours during the initial operation. This is quite normal. Ensure that the room is well ventilated to remove the smoke and smell. Avoid directly inhaling the smoke and the smell that emits.

5 How to operate the oven

General information on oven usage

Cooling fan (It may not exist on your product.)

Your product has a cooling fan. The cooling fan is activated automatically when necessary and cools both the front of the product and the furniture. It is automatically deactivated when the cooling process is finished. Hot air comes out over the oven door. Do not cover these ventilation openings with anything. Otherwise, the oven may overheat.

The cooling fan continues to operate during oven operation or after the oven is turned off (approximately 20-30 minutes). If you cook by programming the oven timer, at the end of the cooking time, the cooling fan turns off with all functions. The cooling fan running time cannot be determined by the user. It turns on and off automatically. This is not an error.

Oven lighting

The oven lamp is turned on when the oven starts cooking. In some models, the lamp is on during cooking, while in some models it turns off after a certain time.

Operation of the oven control unit

Turning on the oven

When you select a operating function you want to cook with using the function selection knob and set a certain temperature with using the temperature knob, the oven starts operating. You should turn the timer knob to a specific cooking time or ∞ symbol to start the operating of oven.

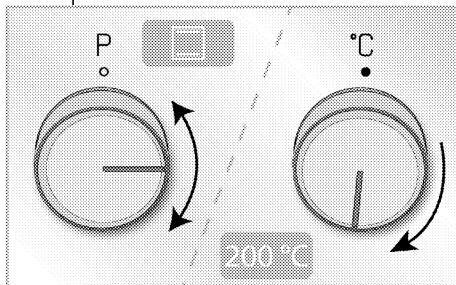
Turning off the oven

You can turn the oven off by turning the function selection, temperature and timer knobs to the off (up) position.

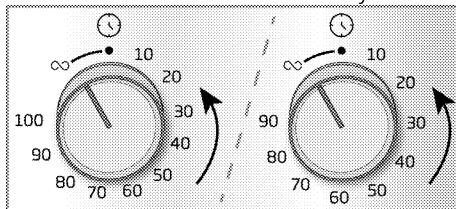
Manual cooking to select temperature and oven operating function

You can cook by making a manual control (at your own control) without setting the cooking time by selecting the temperature and operating function specific to your food.

Example:



1. Select the operating function you want to cook using the function selection knob.
2. Set the temperature you want to cook using the temperature knob.
3. Turn the timer knob to ∞ symbol.



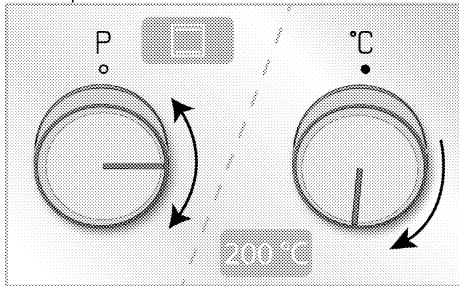
» Your oven will start operating immediately at the selected function and temperature, and the temperature lamp will light up. When the temperature inside the oven reaches the set temperature, the temperature lamp turns off. The oven does not switch off automatically after starting cooking. You

have to control cooking yourself and turn it off. When your cooking is completed, turn off the oven by turning the function selection, temperature and timer knobs to the off (up) position.

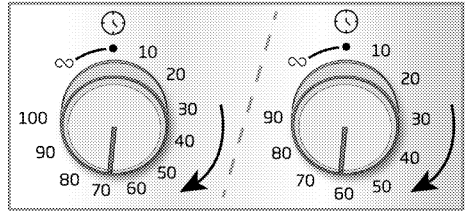
Cooking by setting the cooking time;

You can have the oven turn off automatically at the end of the time by selecting the temperature and operating function specific to your food and setting the cooking time on the timer.

Example:



1. Select the operating function you want to cook using the function selection knob.
2. Set the temperature you want to cook using the temperature knob.
3. Turn the timer knob to time you want to cook.



» Your oven will start operating immediately at the selected function and temperature, and the temperature lamp will light up. When the temperature inside the oven reaches the set temperature, the temperature lamp turns off.

4. When the cooking time is over, the timer knob automatically rotates counterclockwise. A warning tone sounds and the oven stops cooking.
5. If your cooking is completed, turn the oven off by turning the function selection and temperature knobs to the off (up) position. If you want to continue, turn the timer knob back to a certain cooking time. The oven continues to operate at the set function and temperature.

To turn off cooking earlier than the time you set;

1. Turn the timer knob counter-clockwise until it reaches the off (up) position.
2. Turn the oven off by turning the function selection and temperature knobs to the off (up) position.

6 General information about cooking

This section describes tips on preparing and cooking your food.

In addition, you can also find some of the foods tested as producers and the most appropriate settings for these foods. Appropriate oven settings and accessories for these foods are also indicated.

General warnings about cooking in the oven

- While opening the oven door during or after cooking, hot-burning steam may emerge. The steam may burn your hand, face and / or eyes. When opening the oven door, stay away.
- Intense steam generated during cooking may form condensed water drops on the interior and exterior of the oven and on the upper parts of the furniture due to the temperature difference. This is a normal and physical occurrence.
- The cooking temperature and time values given for foods may vary depending on the recipe and amount. For this reason, these values are given as ranges.
- Always remove unused accessories from the oven before you start cooking. Accessories that will remain in the oven may prevent your food from being cooked at the correct values.
- For foods that you will cook according to your own recipe, you can reference similar foods given in the cooking tables.
- Using the supplied accessories ensures you get the best cooking performance. Always observe the warnings and information provided by the manufacturer for the external cookware you will use.

- Cut the greaseproof paper you will use in your cooking in suitable sizes to the container you will cook. Greaseproof papers that are overflowing from the container can create a risk of burns and affect the quality of your cooking. Use the greaseproof paper you will use in the temperature range specified.
- For good cooking performance, place your food on the recommended correct shelf. Do not change the shelf position during cooking.

Pastries and oven food

General Information

- We recommend using the accessories of the product for a good cooking performance. If you are going to use an external cookware, prefer dark, non-sticking and heat resistant ware.
- If preheating is recommended in the cooking table, be sure to put your food in the oven after preheating.
- If you are going to cook using cookware on the wire grill, place it in the middle of the wire grill, not near the back wall.
- All materials used in making pastry should be fresh and at room temperature.
- The cooking status of the products may vary depending on the amount of food and the size of the cookware.
- Metal, ceramic and glass molds extend the cooking time and the bottom surface of pastry foods do not brown evenly.
- If you use cooking paper during cooking, a little browning may be observed on the bottom surface of the food. In this case, you may need to extend your cooking time about 10 minutes.

- The values specified in the cooking tables are determined as a result of the tests carried out in our laboratories. Values suitable for you may differ from these values.
- Place your food on the appropriate shelf recommended in the cooking table. Refer to the bottom shelf of the oven as shelf 1.

Tips for baking cakes

- If the cake is too dry, increase the temperature by 10 ° C and shorten the baking time.
- If the cake is moist, use a small amount of liquid or reduce the temperature by 10 ° C.
- If the top of the cake is burnt, put it on the lower shelf, lower the temperature and increase the baking time.
- If it is cooked well inside but the outside is sticky, use a smaller amount of liquid, reduce the temperature and increase the cooking time.

Tips for cooking pastries

- If the pastry is too dry, increase the temperature by 10 ° C and shorten the cooking time. Wet the dough sheets with a sauce consisting of milk, oil, egg and yoghurt mixture.
- If the pastry is getting cooked slowly, make sure that the thickness of the pastry you have prepared does not overflow the tray.
- If the pastry is browned on the surface but the bottom is not cooked, make sure that the amount of sauce you will use for the pastry is not too much at the bottom of the pastry. For an even browning, try to spread the sauce evenly between the dough sheets and the pastry.
- Bake your pastry in the position and temperature appropriate to the cooking table. If the bottom is still not browned enough, place it on a bottom shelf for the next cooking.

Cooking table for pastries and oven food

Food	Tray amount	Accessory to be used	Operating function	Shelf position	Temperature (°C)	Cooking time (min) (approx.)
Cakes in tray	Single tray	Standard tray*	Top and bottom heating	3	180	30 ... 40
Cakes in mold	Single tray	Cake mold on wire grill**	Top and bottom heating	2	180	30 ... 40
Small cakes	Single tray	Standard tray*	Top and bottom heating	3	160	25 ... 35
	Single tray	Standard tray*	Fan assisted bottom/top heating	3	150	20 ... 30
Sponge cake	Single tray	Round cake mold, 26 cm in diameter with clamp on wire grill**	Top and bottom heating	2	160	30 ... 40
	Single tray	Round cake mold, 26 cm in diameter with clamp on wire grill**	Fan assisted bottom/top heating	2	160	20 ... 30
Cookie	Single tray	Pastry tray*	Top and bottom heating	3	170	25 ... 35
Dough pastry	Single tray	Standard tray*	Fan assisted bottom/top heating	2	200	30 ... 40
Rich pastry	Single tray	Standard tray*	Top and bottom heating	2	200	20 ... 30

Food	Tray amount	Accessory to be used	Operating function	Shelf position	Temperature (°C)	Cooking time (min) (approx.)
Whole bread	Single tray	Standard tray*	Top and bottom heating	2	200	30 ... 40
Lasagna	Single tray	Glass / metal rectangular mold on wire grill**	Top and bottom heating	2 or 3	200	30 ... 40
Apple pie	Single tray	Round black metal mold, 20 cm in diameter on wire grill**	Top and bottom heating	2	180	50 ... 70
Pizza	Single tray	Standard tray*	Top and bottom heating	2	200 ... 220	10 ... 20

Preheating is recommended for all food.

* These accessories may not be included with your product.

** These accessories are not included with your product. They are commercially available accessories.

Meat, Fish and Poultry

The key points on roasting

- Seasoning it with lemon juice and pepper before cooking all chicken, turkey and large pieces of meat will increase cooking performance.
- It takes 15 to 30 minutes more to cook boned meat than fillet by roasting.
- You should calculate about 4 to 5 minutes of cooking time per centimeter of the meat thickness.
- After the cooking time is over, leave the meat in the oven for about 10 minutes. The juice of the meat is better distributed to the fried meat and does not come out when the meat is cut.
- Fish should be placed on a medium or low level shelf in a heat resistant plate.

Cooking table for meat, fish and poultry

Food	Tray amount	Accessory to be used	Operating function	Shelf position	Temperature (°C)	Cooking time (min) (approx.)
Steak (whole) / Roast (1 kg)	Single tray	Standard tray*	Fan assisted bottom/top heating	3	15 mins. 250/max, then 180 ... 190	60 ... 80
Lamb's shank (1.5 - 2.0 kg)	Single tray	Standard tray*	Fan assisted bottom/top heating	3	15 mins. 250/max, then 170	110 ... 120
Roasted chicken (1.8-2 kg)	Single tray	Wire grill* Place one tray on a lower shelf	Fan assisted bottom/top heating	2	15 mins. 250/max, then 190	60 ... 80
Turkey (5.5 kg)	Single tray	Standard tray*	Fan assisted bottom/top heating	1	25 mins. 250/max, then 180 ... 190	150 ... 210
Fish	Single tray	Wire grill* Place one tray on a lower shelf	Fan assisted bottom/top heating	3	200	20 ... 30

Preheating is recommended for all food.

* These accessories may not be included with your product.

** These accessories are not included with your product. They are commercially available accessories.

Grill

Red meat, fish and poultry meat will quickly turn brown when grilled, hold a beautiful crust and do not dry out. Fillet meats, skewer meats, sausages as well as juicy vegetables (tomatoes, onions, etc.) are particularly suitable for grilling.

General warnings

- Food not suitable for grilling carries a fire hazard. Grill only food that is suitable for heavy grill fire. Also, do not place the food too far in the back of the grill. This is the hottest area and fatty foods may catch fire.
- **Close the oven door during grilling. Never grill with the oven door open. Hot surfaces may cause burns!**

The key points of the grill

- Prepare foods of similar thickness and weight as much as possible for the grill.
- Place the pieces to be grilled on the wire grill or wire grill tray by distributing them without exceeding the dimensions of the heater.
- Depending on the thickness of the pieces to be grilled, the cooking times given in the table may vary.
- Slide the wire grill or the wire grill tray to the desired level in the oven. If you are cooking on the wire grill, slide the oven tray to the lower shelf to collect the oils. The oven tray you are going to slide should be sized to cover the entire grill area. This tray may not be included with the product. Put some water into the oven tray for easy cleaning.

Grilling table

Food	Accessory to be used	Shelf position	Temperature (°C)	Cooking time (min) (approx.)
Fish	Wire grill	4 - 5	250	20 ... 25
Chicken pieces	Wire grill	4 - 5	250	25 ... 35
Meatball (beef) - 12 pieces	Wire grill	4	250	20 ... 30
Lamb chop	Wire grill	4 - 5	250	20 ... 25
Steak - (sliced)	Wire grill	4 - 5	250	25 ... 30
Veal chop	Wire grill	4 - 5	250	25 ... 30
Vegetable gratin	Wire grill	4 - 5	220	20 ... 30
Toast bread	Wire grill	4	250	1 ... 3

It is recommended to preheat for 5 minutes for all grilled food. Turn pieces of food after 1/2 of the total grilling time.

Fan assisted low grill

Food	Accessory to be used	Operating function	Shelf position	Temperature (°C)	Cooking time (min) (approx.)
Fish	Wire grill	Fan assisted low grill	4	200	30 ... 35
Chicken pieces	Wire grill	Fan assisted low grill	4	250	25 ... 35
Meatball (beef) - 12 pieces	Wire grill	Fan assisted low grill	4	250	30 ... 40
Steak (whole) / Roast (1 kg)	Wire grill Place one tray on a lower shelf	Fan assisted low grill	3	15 mins. 250, then 180 ... 190	90 ... 110

Do not preheat for all grilled food in this grill table.

Test foods

Foods in this cooking table are prepared according to the EN 60350-1 standard to facilitate testing of the product for control institutes.

Cooking table for test foods

Food	Tray amount	Accessory to be used	Operating function	Shelf position	Temperature (°C)	Cooking time (min) (approx.)
Shortbread (sweet cookie)	Single tray	Standard tray*	Top and bottom heating	3	140	20 ... 30
	Single tray	Standard tray*	Top and bottom heating	3	160	25 ... 35
Small cakes	Single tray	Standard tray*	Fan assisted bottom/top heating	2	150	20 ... 30
	Single tray	Round cake mold, 26 cm in diameter with clamp on wire grill**	Top and bottom heating	2	160	30 ... 40
Sponge cake	Single tray	Round cake mold, 26 cm in diameter with clamp on wire grill**	Fan assisted bottom/top heating	2	160	20 ... 30
	Single tray	Round black metal mold, 20 cm in diameter on wire grill**	Top and bottom heating	2	180	50 ... 70

Preheating is recommended for all food.

* These accessories may not be included with your product.

** These accessories are not included with your product. They are commercially available accessories.

Grill

Food	Accessory to be used	Shelf position	Temperature (°C)	Cooking time (min) (approx.)
Toast bread	Wire grill	4	250	1 ... 3
Meatball (beef) - 12 pieces	Wire grill	4	250	20 ... 30

Turn the food after 1/2 of the total grilling time.

It is recommended to preheat for 5 minutes for all grilled food.

7 Maintenance and care

General cleaning information

⚠ General warnings

- Wait for the product to cool before cleaning the product. Hot surfaces may cause burns!
- Do not apply the detergents directly on the hot surfaces. This may cause a permanent stains.
- The appliance shall be thoroughly cleaned and dried after each operation. Thus, food residues shall be easily cleaned and these residues shall be prevented from burning when the appliance is used again later. Thus, the service life of the appliance extends and frequently faced problems are decreased.
- Do not use steam cleaning products for cleaning.
- Some detergents or cleaning agents may damage the surface. Do not use abrasive detergents, cleaning powders, cleaning creams, descalers or sharp objects during cleaning.
- There is no need for a special cleaning agent for cleaning after each use. Clean the appliance using dish soap, warm water and a soft cloth or sponge and dry with a dry microfiber cloth.
- Be sure to completely wipe off any remaining liquid after cleaning and immediately clean any food splashing around during cooking.
- Do not wash any component of your appliance in a dishwasher.

Inox and stainless surfaces

- Do not use acid or chlorine-containing cleaning agents to clean stainless or inox surfaces and handles.

- Stainless or inox surface may change colour in time. This is normal. After each operation, clean with a detergent suitable for the stainless or inox surface.
- Clean with a soft soapy cloth and liquid (non-scratching) detergent suitable for inox surfaces, taking care to wipe in one direction.
- Remove lime, oil, starch, milk and protein stains on the inox-stainless and glass surfaces immediately without waiting. Stains may rust under long periods of time.

Enamelled surfaces

- After each use, clean the enamel surfaces using dishwashing detergent, warm water and a soft cloth or sponge and dry them with a dry cloth.
- If your product has an easy steam cleaning function, you can make easy steam cleaning for light non-permanent dirt. (See the "Easy steam cleaning" section)
- For persistent stains, the oven and grill cleaner recommended on the website of your product brand and a non-scratching scouring pad can be used. Do not use an external oven cleaner.
- The oven must cool down for cleaning in the cooking area. Cleaning on hot surfaces shall create both fire hazard and damage with enamel surface.

Catalytic surfaces

- The side walls in the cooking area can only be covered with enamel or catalytic walls. It varies by model.
- The catalytic walls have a light matte and porous surface. The catalytic walls of the oven should not be cleaned.
- Catalytic surfaces absorb oil thanks to its porous structure and start to shine

when the surface is saturated with oil, in this case it is recommended to replace the parts.

Glass surfaces

- When cleaning glass surfaces, do not use hard metal scrapers and abrasive cleaning materials. They can damage the glass surface.
- Clean the appliance using dishwashing detergent, warm water and a microfiber cloth specific for glass surfaces and dry it with a dry microfiber cloth.
- If there is residual detergent after cleaning, wipe it with cold water and dry with a clean and dry microfiber cloth. Residual detergent residue may damage the glass surface next time.
- Under no circumstances should the dried-up residue on the glass surface be cleaned off with serrated knives, wire wool or similar scratching tools.
- You can remove the calcium stains (yellow stains) on the glass surface with the commercially available descaling agent, with a descaling agent such as vinegar or lemon juice.
- If the surface is heavily soiled, apply the cleaning agent on the stain with a sponge and wait a long time for it to work properly. Then clean the glass surface with a wet cloth.
- Discolorations and stains on the glass surface are normal and not defects.

Plastic parts and painted surfaces

- Clean plastic parts and painted surfaces using dishwashing detergent, warm water and a soft cloth or sponge and dry them with a dry cloth.
- Do not use hard metal scrapers and abrasive cleaners. It may damage the surfaces.
- Ensure that the joints of the components of the appliance are not left as damp and with detergent.

Otherwise, corrosion may occur on these joints.

Cleaning the accessories

Unless otherwise stated in the user manual, do not wash the product accessories in the dishwasher.

Cleaning the control panel

- When cleaning the panels with knob control, wipe the panel and knobss with a damp soft cloth and dry with a dry cloth. Do not remove the knobs and gaskets underneath to clean the control panel. The control panel and knobs may be damaged.
- While cleaning the inox panels with knob control, do not use inox cleaning agents around the knobs. The indicators around the knobs may be deleted.
- Clean the touch control panels with a damp soft cloth and dry with a dry cloth. If your product has a key lock feature, set the key lock before performing control panel cleaning. Otherwise, incorrect detection may occur on the keys.

Cleaning the inside of the oven (cooking area)

Follow the cleaning steps described in the "General cleaning information" section according to the surface types in your oven.

Cleaning the side walls of the oven

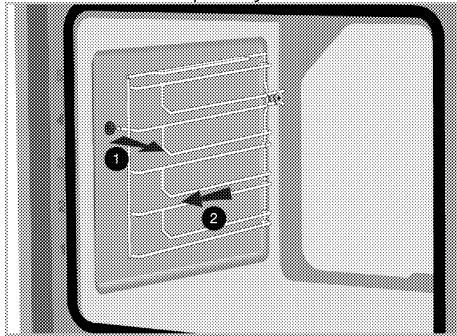
The side walls in the cooking area can only be covered with enamel or catalytic walls. It varies by model. If there is a catalytic wall, refer to the "Catalytic walls" section for information.

If your product is a side rack model, remove the side racks before cleaning your side walls. Then complete the cleaning as described in the "General

cleaning information" section according to the side wall surface type.

To remove the side racks:

1. Remove the front of the side rack by pulling it on the side wall in the opposite direction.
2. Pull the side rack towards you to remove it completely.



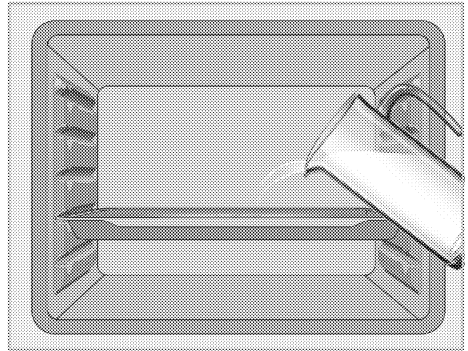
3. To reattach the shelves, the procedures applied when removing them must be repeated from the end to the beginning, respectively.

Easy Steam Cleaning

It varies depending on the product model. It may not be available on your product.

It ensures easy cleaning because the dirt (having waited not for too long) is softened with the steam that forms inside the oven and the water drops condensing on the inner surfaces of the oven.

1. Remove all accessories inside the oven.
2. Pour 500 ml of water into the oven tray and place the tray at the 2nd rack of the oven.



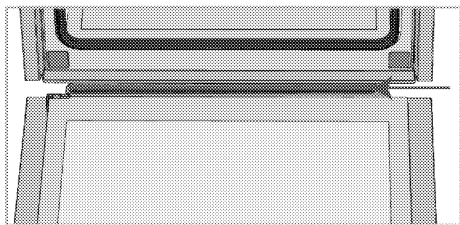
3. Set the oven to easy steam cleaning mode and run at 100°C for 15 minutes.

Open the door immediately and wipe the inner surfaces of the oven with a damp sponge or cloth. When opening the door, steam will escape. This can create a risk of burning. Be careful when opening the oven door.

Use warm water with washing liquid, a soft cloth or sponge to clean the persistent dirt and wipe it with a dry cloth.

i During the easy steam cleaning mode, water that is in the pool at the base of the oven to soften lightly formed residues/dirt within the oven cavity will evaporate and condense in the oven cavity and inner glass of the oven door, therefore water may drip when the oven door is opened. Wipe away the condensation as soon as the oven door is opened.

It varies depending on the product model. It may not be available on your product. After condensation in the oven, there might be water or moisture in the pool channel under the oven. After use, clean this pool channel with a damp cloth and then dry it.



Cleaning the oven door

i Do not use harsh abrasive cleaners, metal scrapers, wire wool or bleach materials to clean the oven door and glass.

You can remove your oven door and door glasses to clean them. How to remove the doors and windows is explained in the sections "Removing the oven door" and "Removing the inner glasses of the door". After removing the door inner glasses, clean them using a dishwashing detergent, warm water and a soft cloth or sponge and dry them with a dry cloth. Wipe the glass with vinegar and then rinse it against lime residues that may occur on the oven glass.

Removing the oven door

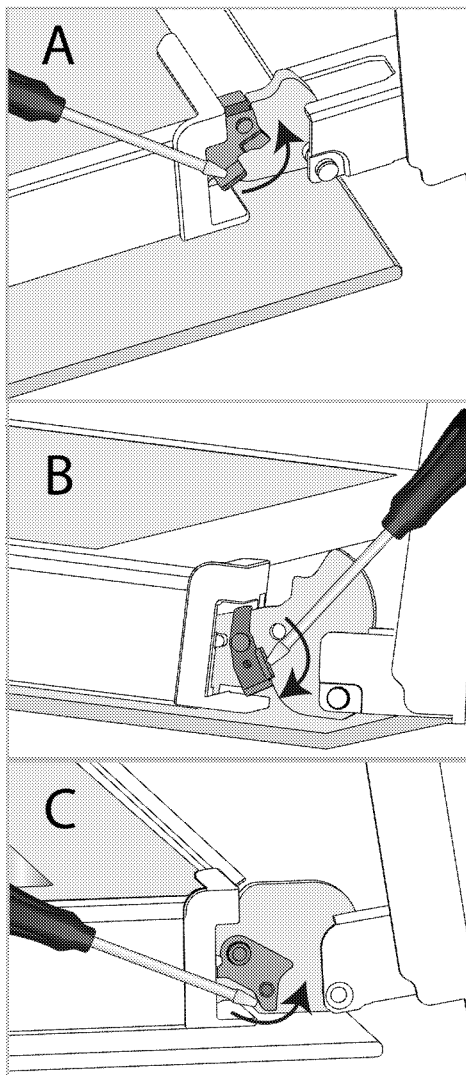
1. Open the oven door.
2. Open the clips in the front door hinge socket on the right and left by pressing downwards as shown in the figure.

The hinge type (A), (B), (C) varies according to the product model. The figures below show how to open all hinge types.

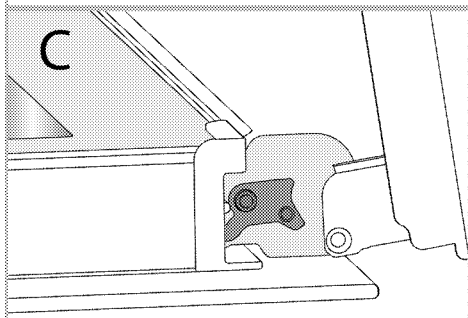
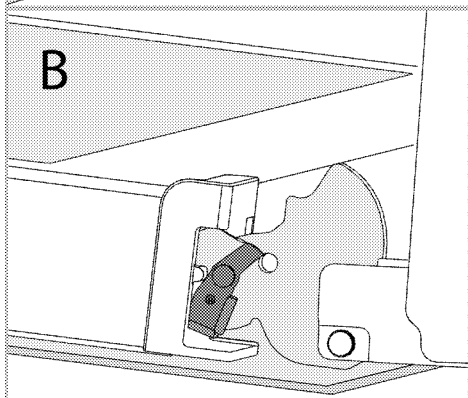
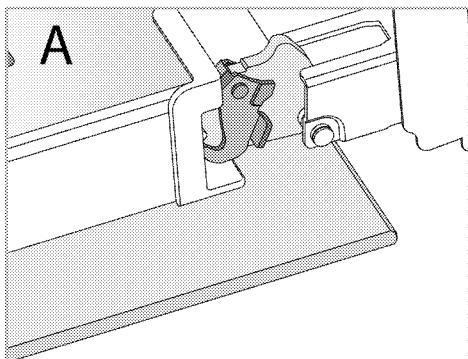
(A) type hinge is available in normal door types.

(B) type hinge is available in soft closing door types.

(C) type hinge is available in soft opening/closing door types.

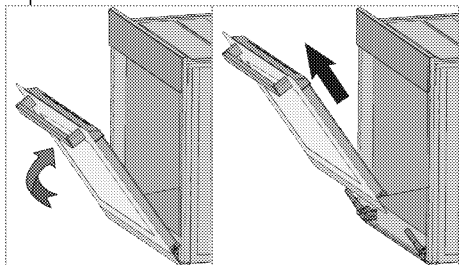


Hinge lock - closed position



Hinge lock - open position

3. Get the oven door to a half-open position.



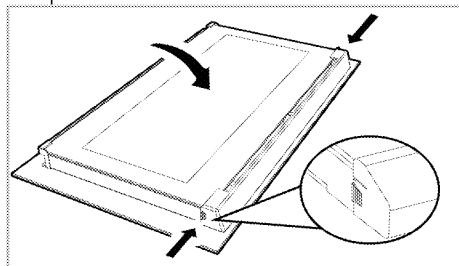
4. Pull the removed door upwards to release it from the right and left hinges and remove it.

i To reattach the door, the procedures applied when removing it must be repeated from the end to the beginning, respectively. When installing the door, be sure to close the clips on the hinge socket.

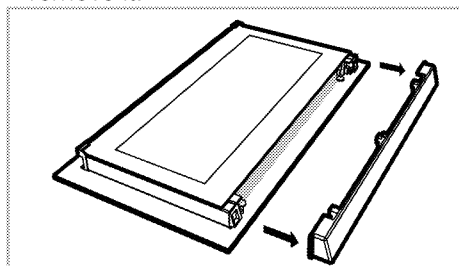
Removing the inner glass of the oven door

Inner glass of the product's front door of may be removed for cleaning.

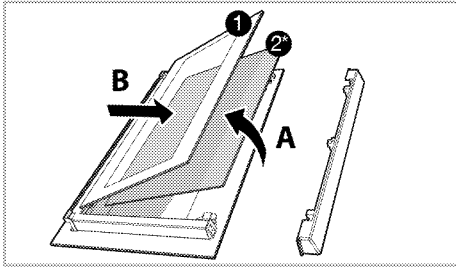
1. Open the oven door.



2. Pull the plastic component, attached on the upper section of the front door, towards yourself by simultaneously pressing on the pressure points on both sides of the component and remove it.



3. As shown in the figure, gently lift the innermost glass (1) towards 'A' and then, remove it by pulling towards 'B'.



- 1 Innermost glass panel
- 2* Inner glass panel (It may not exist on your product.)
- 4.If your product has an inner glass (2), repeat the same process to detach it (2).
- 5.The first step of regrouping the door is to reassemble the inner glass (2). Place the beveled edge of the glass to meet the beveled edge of the plastic slot. (If your product has an inner glass). Inner glass (2) must be attached to the plastic slot closest to the innermost glass (1).
- 6.While reassembling the innermost glass (1), pay attention to place the printed side of the glass on the inner glass. It is crucial to place the lower corners of the innermost glass (1) to meet the lower plastic slots.
- 7.Push the plastic component towards the frame until a "click" sound is heard.

Cleaning the oven lamp

In the event that the glass door of the oven lamp in the cooking area becomes dirty; clean using dishwashing detergent, warm water and a soft cloth or sponge and dry with a dry cloth. In case of oven lamp failure, you can replace the oven lamp by following the sections that follow.

Replacing the oven lamp

⚠ General warnings

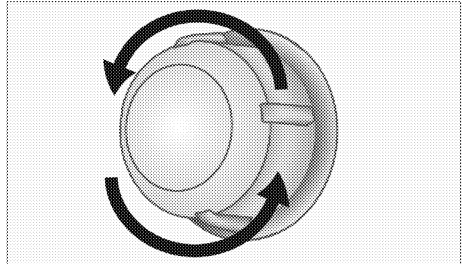
- To avoid the risk of electric shock before replacing the oven lamp,

disconnect the electrical connector and wait for the oven to cool. Hot surfaces may cause burns!

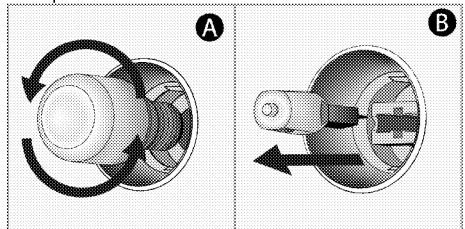
- The oven lamp is a special electric bulb resistant to 300 ° C. Oven lamps can be obtained from Authorized Services.
- The position of the lamp may differ from that is shown in the figure.
- The lamp used in this product is not suitable for use in the lighting of home rooms. The purpose of this lamp is to help the user see food products.
- The lamps used in this product must withstand extreme physical conditions such as temperatures above 50 ° C.

If your oven has a round lamp,

- 1.Disconnect the product from the electricity.
- 2.Remove the glass cover by turning it counterclockwise.



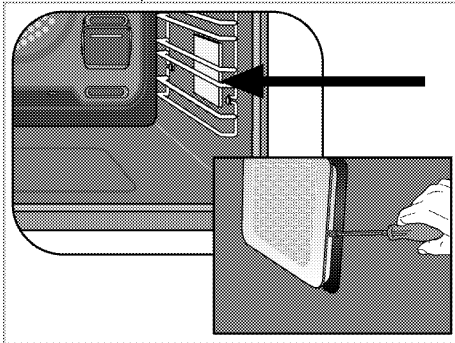
- 3.If your oven lamp is type (A) shown in the figure below, rotate the oven lamp as shown in the figure and replace it with a new one. If type (B) is a model, pull it out as shown in the figure and replace it with a new one.



- 4.Refit the glass cover.

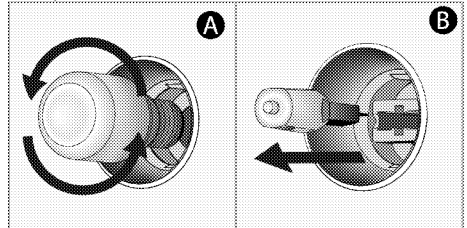
If your oven has a square lamp,

1. Disconnect the product from the electricity.
2. Remove the wire shelves according to the description.



3. Lift the lamp's protective glass cover with a screwdriver.

4. If your oven lamp is type (A) shown in the figure below, rotate the oven lamp as shown in the figure and replace it with a new one. If type (B) is a model, pull it out as shown in the figure and replace it with a new one.



5. Refit the glass cover and wire shelves.

8 Troubleshooting

Consult the Authorised Service Agent or technician with license or the dealer where you have purchased the product if you cannot remedy the trouble although you have implemented the instructions in this section. Never attempt to repair a defective product yourself.

Oven emits steam when it is in use.

- It is normal that steam escapes during operation. >>> *This is not a fault.*

Water drops occur during cooking.

- The vapour that arises during cooking can condense and form water droplets when it hits cold surfaces of the product. >>> *This is not a fault.*

Product emits metal noises while heating and cooling.

- When the metal parts are heated, they may expand and cause noise. >>> *This is not a fault.*

Product does not operate.

- The mains fuse is defective or has tripped. >>> *Check fuses in the fuse box. If necessary, replace or reset them.*
- Product is not plugged into the (grounded) socket. >>> *Check the plug connection.*
- Buttons/knobs/keys on the control panel do not function. >>> *If your product equipped with key lock function, keylock may be enabled. Please disable it.*

Oven light does not work.

- Oven lamp is defective. >>> *Replace oven lamp.*
- Power is cut. >>> *Check if there is power. Check the fuses in the fuse box. If necessary, replace or reset the fuses.*

Oven does not heat.

- Might not be set to a certain cooking function and/or temperature. >>> *Set the oven to a certain cooking function and/or temperature.*
- In models equipped with a timer, the timer is not adjusted. >>> *Adjust the time.*
- Power is cut. >>> *Check if there is power. Check the fuses in the fuse box. If necessary, replace or reset the fuses.*

(In models with timer) Clock display is blinking or clock symbol is on.

- A previous power outage has occurred. >>> *Adjust the time / Switch of the product and switch it on again.*



Four Encastrable
Manuel d'utilisation



FR

Chère cliente, cher client,

Veillez lire ce mode d'emploi avant d'utiliser l'appareil.

Beko Nous vous remercions d'avoir choisi le produit. Nous voulons que votre appareil de haute qualité et doté d'une technologie de pointe vous offre une efficacité optimale. Pour ce faire, lisez attentivement ce manuel et tout autre document fourni avant d'utiliser l'appareil et conservez-les comme référence. Si vous donnez l'appareil à quelqu'un d'autre, donnez également le manuel. Suivez les instructions en prenant en compte toutes les informations et avertissements figurant dans le manuel d'utilisation. Tenez compte de toutes les informations et de tous les avertissements figurant dans le manuel d'utilisation. Ainsi, vous vous protégerez, vous et votre produit, contre les dangers qui peuvent survenir.

Conservez le manuel d'utilisation. Si vous donnez l'appareil à quelqu'un d'autre, donnez également le manuel.

Le manuel d'utilisation comporte les symboles suivants :



Danger pouvant entraîner la mort ou des blessures.

REMARQUE Danger pouvant entraîner des dommages matériels à l'appareil ou à son environnement.



Danger pouvant entraîner des brûlures par contact avec des surfaces chaudes.



Informations importantes et conseils d'utilisation utiles.



Lisez le manuel d'utilisation.



Arçelik A.Ş.
Karaağaç caddesi No:2-6
34445 Sütlüce/İstanbul/TURKEY

1 Consignes de sécurité 4

Objectif de l'utilisation 4
 Sécurité des enfants, des personnes
 vulnérables et des animaux domestiques
 5
 Sécurité électrique..... 6
 Sécurité des transports..... 7
 Sécurité pendant l'installation 7
 Sécurité d'utilisation 8
 Alertes de température 8
 Utilisation des accessoires 9
 Consignes de sécurité relatives à la cuisson9
 Sécurité relative à l'entretien et au nettoyage
 10

**2 Instructions relatives à
 l'environnement 11**

Règlement sur les déchets..... 11
 Conformité avec la directive DEEE et mise au
 rebut des déchets..... 11
 Elimination des emballages 11
 Recommandations pour économiser
 l'énergie 11

3 Votre appareil 12

Présentation de l'appareil..... 12
 Présentation et utilisation du panneau de
 commande de l'appareil 13
 Unité de commande du four..... 13
 Fonctions d'utilisation du four..... 14
 Accessoires de l'appareil 15
 Utilisation des accessoires de l'appareil .. 16
 Caractéristiques techniques 19

4 Première utilisation 20

Premier nettoyage 20

5 Utilisation du four 21

Informations générales relatives à l'utilisation
 du four 21
 Fonctionnement de l'unité de commande du
 four 21

**6 Informations générales sur la
 cuisson 23**

Avertissements généraux sur la cuisson au
 four 23
 Pâtisseries et aliments cuits au four..... 23
 Viande, poisson et volaille..... 26
 Grille..... 27
 Aliments test 28

7 Maintenance et entretien 29

Consignes de nettoyage générales 29
 Nettoyage des accessoires 30
 Nettoyage du panneau de commande 30
 Nettoyage de l'intérieur du four (zone de
 cuisson)..... 31
 Nettoyage facile à la vapeur..... 31
 Nettoyage de la porte du four 32
 Retrait de la vitre intérieure de la porte du
 four 34
 Nettoyage de la lampe du four..... 35

8 Dépannage 37

1 Consignes de sécurité

- Cette section comprend les consignes de sécurité nécessaires à la prévention des risques de blessures physiques ou de dommage matériel.
- Si l'appareil est remis à une autre personne ou utilisé en seconde main, le manuel d'utilisation, les étiquettes de l'appareil, les autres documents et accessoires pertinents doivent être également être remis.
- Notre société ne saurait être tenue responsable des dommages qui pourraient résulter du non-respect de ces instructions.
- Le non-respect de ces instructions entraîne l'annulation de toute garantie.
- ⚠ Faites toujours effectuer les travaux d'installation et de réparation par le fabricant, le service autorisé ou une personne désignée par l'importateur.
- ⚠ Utilisez uniquement des pièces et accessoires d'origine.
- ⚠ N'essayez pas de réparer ou de remplacer les pièces

de l'appareil sauf si cela est clairement spécifié dans le manuel d'utilisation.

- ⚠ N'effectuez pas de modifications techniques sur l'appareil.



Objectif de l'utilisation

- Ce produit est conçu pour un usage domestique. Il n'est donc pas destiné à un usage commercial.
- N'utilisez pas l'appareil dans les jardins, les balcons ou autres environnements extérieurs. L'appareil est destiné à être utilisé dans les cuisines du ménage et du personnel dans les magasins, bureaux et autres environnements de travail.
- **AVERTISSEMENT** : Cet appareil doit être utilisé pour la cuisine uniquement. Il ne devrait pas être utilisé à d'autres fins comme le chauffage d'une pièce.
- Le four peut être utilisé pour décongeler, cuire, frire et griller les aliments.
- Cet appareil ne doit pas être utilisé comme chauffage ou plaque chauffante. Il n'est

pas recommandé de suspendre les serviettes ou les vêtements sur la poignée pour les faire sécher.



Sécurité des enfants, des personnes vulnérables et des animaux domestiques

- Cet appareil peut être utilisé par des enfants de 8 ans et plus et par des personnes dont les aptitudes physiques, sensorielles ou mentales sont sous-développées, ou qui manquent d'expérience et de connaissances, à condition qu'ils soient encadrés ou formés à l'utilisation sécuritaire et aux dangers de l'appareil.
- Les enfants ne doivent pas jouer avec l'appareil. Ne laissez pas les enfants effectuer le nettoyage et l'entretien de l'appareil, à moins qu'ils soient sous surveillance.
- Cet appareil ne doit pas être utilisé par des personnes ayant des capacités physiques, sensorielles ou mentales limitées (y compris les enfants), sauf si elles sont gardées sous surveillance ou reçoivent les instructions nécessaires.
- Les enfants doivent être surveillés afin de s'assurer qu'ils ne jouent pas avec l'appareil.
- Les produits électriques sont dangereux pour les enfants et les animaux domestiques. Les enfants et les animaux domestiques ne doivent pas jouer avec l'appareil. En outre, ils ne doivent ni grimper dessus ni y entrer.
- Ne placez pas d'objets sur l'appareil de sorte que les enfants puissent les atteindre.
- **AVERTISSEMENT** : Pendant l'utilisation, les surfaces accessibles de l'appareil sont chaudes. Tenez les enfants à l'écart de l'appareil.
- Tenez les matériaux d'emballage hors de la portée des enfants. Ils pourraient entraîner des lésions ou une asphyxie.
- Lorsque la porte est ouverte, n'y posez aucun objet lourd et ne laissez pas les enfants s'asseoir au-dessus. Vous risquez de faire basculer le four ou d'endommager les charnières de la porte.
- Pour la sécurité des enfants, débranchez la prise d'alimentation et rendez

l'appareil inutilisable avant de le mettre au rebut.



Sécurité électrique

- Branchez l'appareil à un courant avec prise de terre protégée par un fusible qui correspond aux courants nominaux indiqués sur la plaque signalétique. Contactez un technicien qualifié pour l'installation de la mise à la terre. N'utilisez pas l'appareil sans prise de terre conformément aux réglementations locales / nationales.
- La fiche ou le raccordement électrique de l'appareil doit se trouver dans un endroit facilement accessible (où il ne sera pas affecté par la flamme de la plaque). Si cela est impossible, il doit y avoir un mécanisme (fusible, interrupteur, etc.) sur l'installation électrique à laquelle l'appareil est connecté, conforme à la réglementation électrique et séparant tous les pôles du réseau.
- L'appareil ne doit pas être branché dans la prise pendant l'installation, la réparation et le transport.
- Ne branchez pas l'appareil dans une prise de courant mal fixée, sortie de son support, cassée, sale, huileuse, avec un risque de contact avec de l'eau (par exemple, de l'eau qui peut s'écouler du comptoir).
- Évitez de toucher la fiche avec des mains humides ! Pour débrancher l'appareil, tenez toujours la fiche ; ne tirez pas sur le cordon.
- Assurez-vous que la fiche de l'appareil est bien branchée dans la prise de courant pour éviter la formation d'arcs électriques.
- Branchez l'appareil dans une prise conforme aux valeurs de tension et de fréquence indiquées sur la plaque signalétique.
- Ne bloquez pas le cordon d'alimentation sous et derrière l'appareil. Ne placez aucun objet lourd sur le cordon d'alimentation. Le cordon d'alimentation ne doit pas être plié, écrasé, ni entrer en contact avec une source de chaleur.
- Lorsque le four fonctionne, sa surface arrière devient également chaude. Les cordons

d'alimentation ne doivent pas toucher la surface arrière, les raccords peuvent être endommagés.

- Évitez de bloquer les câbles électriques dans la porte du four et ne les faites pas passer sur des surfaces chaudes. Vous risquez de provoquer un court-circuit dans le four et un incendie en raison de la fonte du câble.
- Utilisez uniquement des câbles originaux. N'utilisez pas de câbles coupés ou endommagés ni de rallonges.
- Si le cordon d'alimentation est endommagé, il doit être remplacé par un fabricant, un service autorisé ou une personne désignée par l'entreprise importatrice afin de prévenir d'éventuels dangers.
- **AVERTISSEMENT** : Avant de remplacer la lampe du four, veillez à débrancher l'appareil de l'alimentation électrique pour éviter tout risque d'électrocution. Débranchez l'appareil ou désactivez le fusible de la boîte à fusibles.

Sécurité des transports

- Avant le nettoyage, débranchez le produit de l'alimentation électrique avant de porter l'appareil.
- L'appareil est lourd, portez-le avec au moins deux personnes.
- N'utilisez pas la porte et/ou la poignée pour transporter ou déplacer le produit.
- Ne posez pas d'autres articles sur l'appareil et transportez-le en position verticale.
- Lorsque vous souhaitez transporter l'appareil, emballez-le avec du matériel d'emballage à bulles ou du carton épais et attachez-le avec du ruban adhésif. Fixez fermement l'appareil avec du ruban adhésif pour éviter d'endommager l'appareil et ses pièces amovibles ou mobiles.
- Vérifiez l'aspect général de l'appareil afin de détecter tout dommage qui aurait pu se produire lors du transport.

Sécurité pendant l'installation

- Avant d'installer l'appareil, vérifiez qu'il n'est pas en-

dommagé. S'il est endommagé, ne l'installez pas.

- Ne l'installez pas à proximité de sources de chaleur (radiateurs, cuisinières, etc.).
- Gardez tous les conduits de ventilation ouverts autour de l'appareil.
- Pour éviter la surchauffe, n'installez pas l'appareil derrière des portes décoratives.

Sécurité d'utilisation

- Veillez à éteindre l'appareil après chaque utilisation.
- Si vous n'utilisez pas l'appareil pendant une longue période, débranchez-le ou coupez le fusible de la boîte à fusibles.
- Ne l'utilisez pas s'il est défectueux ou endommagé. Le cas échéant, débranchez ses raccordements électriques / de gaz et appelez le service autorisé.
- N'utilisez pas l'appareil si la porte avant en verre a été retirée ou est fissurée.
- Ne montez pas sur l'appareil pour atteindre quoi que ce soit ou pour toute autre raison.
- N'utilisez pas l'appareil dans des situations qui peuvent in-

fluencer votre jugement, telles que la consommation de drogues et/ou d'alcool.

- Les objets inflammables conservés dans la zone de cuisson peuvent prendre feu. Ne rangez jamais les objets inflammables dans la zone de cuisson.
- La poignée du four n'est pas un sèche-serviettes. Lorsque vous utilisez l'appareil, n'y accrochez pas de serviettes, de gants, ni de textiles similaires.
- Les charnières de la porte de l'appareil se déplacent et se resserrent lors de l'ouverture et de la fermeture de la porte. Lors de l'ouverture / la fermeture de la porte, ne tenez pas la pièce par les charnières.

Alertes de température

- **AVERTISSEMENT** : Pendant le fonctionnement de l'appareil, les pièces exposées seront chaudes. Ne touchez pas l'appareil et les éléments chauffants. Les enfants de moins de 8 ans ne doivent pas s'approcher de l'appareil sans la présence d'un adulte.

- Ne placez pas de matières inflammables ou explosives à proximité de l'appareil, car les bords seront chauds pendant son utilisation.
- Éloignez-vous lors de l'ouverture de la porte du four, car il peut dégager de la vapeur. La vapeur peut vous brûler la main, le visage et / ou les yeux.
- L'appareil peut être chaud pendant son utilisation. Ne touchez pas aux compartiments chauds, aux pièces internes du four, aux éléments chauffants, etc.
- Lorsque vous placez des aliments dans le four chaud, retirez-les, etc. utilisez toujours des gants de cuisine résistants à la chaleur.

Utilisation des accessoires

- Il est important de placer correctement la grille métallique et le plateau sur les étagères métalliques. Pour plus d'informations, reportez-vous à la section « Utilisation des accessoires ».
- Les accessoires peuvent endommager la vitre de la porte lors de la fermeture de la

porte de l'appareil. Poussez toujours les accessoires jusqu'à l'extrémité de la zone de cuisson.

Consignes de sécurité relatives à la cuisson

- Soyez prudent lorsque vous utilisez de l'alcool dans vos aliments. L'alcool s'évapore à des températures élevées et peut prendre feu lorsqu'il est exposé à des surfaces chaudes, provoquant un incendie.
- Les déchets alimentaires, l'huile, etc. dans la zone de cuisson peuvent prendre feu. Avant la cuisson, enlevez ces grosses saletés.
- Risque d'intoxication alimentaire : Ne conservez pas les aliments dans le four pendant plus d'une heure avant ou après la cuisson. Sinon, ils peuvent provoquer des intoxications alimentaires ou des maladies.
- Ne chauffez pas les boîtes de conserve et les bocaux en verre fermés. La pression accumulée peut faire éclater le bocal.
- Placez le papier sulfurisé dans un ustensile de cuisson

ou sur le four (plateau, grille métallique, etc.) avec des aliments et placez-le dans le four préchauffé. Retirez tout le papier sulfurisé excédant qui déborde de l'accessoire ou du récipient pour éviter qu'il ne touche les éléments chauffants du four. N'utilisez jamais de papier sulfurisé à une température de four supérieure à la température d'utilisation maximale spécifiée sur le papier que vous utilisez. Ne mettez jamais le papier sulfurisé en contact avec le four.

- Ne placez pas les plateaux de cuisson, les plaques ou le papier d'aluminium directement au fond du four. La chaleur accumulée peut endommager la base du four.
- Fermez la porte du four pendant la grillade. Les surfaces chaudes peuvent causer des brûlures !
- Les aliments qui ne sont pas adaptés aux grillades présentent un risque d'incendie. Faites griller uniquement les aliments qui sont adaptés à un feu de barbecue intense.

Ne placez pas non plus les aliments trop loin à l'arrière de la grille. Il s'agit de la zone la plus chaude et les aliments gras peuvent prendre feu.



Sécurité relative à l'entretien et au nettoyage

- Attendez que l'appareil refroidisse avant de le nettoyer. Les surfaces chaudes peuvent causer des brûlures !
- Ne lavez jamais l'appareil par pulvérisation ou aspersion d'eau ! Il existe un risque d'électrocution !
- N'utilisez pas de nettoyeurs à vapeur pour nettoyer l'appareil, car cela pourrait provoquer un choc électrique.
- N'utilisez pas de produits de nettoyage abrasifs durs, de grattoirs métalliques, de fil de laine métallique ou de produits d'eau de Javel pour nettoyer la vitre de la porte avant / (le cas échéant) vitre de la porte supérieure du four. Ces matériaux peuvent provoquer des rayures sur les surfaces en verre et leur rupture.

2 Instructions relatives à l'environnement

Règlement sur les déchets Conformité avec la directive DEEE et mise au rebut des déchets



Ce produit est conforme à la directive DEEE (2012/19/UE de l'Union européenne). Ce produit porte un symbole de classification pour la mise au rebut des équipements électriques et électroniques (DEEE).

Le présent produit a été fabriqué avec des pièces et du matériel de qualité supérieure susceptibles d'être réutilisés et adaptés au recyclage. Par conséquent, nous vous conseillons de ne pas le mettre au rebut avec les ordures ménagères et d'autres déchets à la fin de sa durée de vie. Au contraire, rendez-vous dans un point de collecte pour le recyclage de tout matériel électrique et électronique. Veuillez vous rapprocher des autorités de votre localité pour plus d'informations concernant le point de collecte le plus proche.

L'élimination appropriée des appareils usagés permet d'éviter les conséquences négatives potentielles pour l'environnement et la santé humaine.

Conformité avec la directive LdSD :

L'appareil que vous avez acheté est conforme à la directive LdSD (2011/65/UE) de l'Union européenne. Il ne comporte pas les matériels dangereux et interdits mentionnés dans la directive.

Élimination des emballages

- Les emballages sont dangereux pour les enfants. Conservez les emballages

en lieu sûr à l'écart des enfants. Les emballages de l'appareil sont fabriqués à partir de matériaux recyclés. Éliminez-les de manière appropriée et triez-les en fonction des instructions de recyclage des déchets. Ne les jetez pas avec les déchets domestiques normaux.

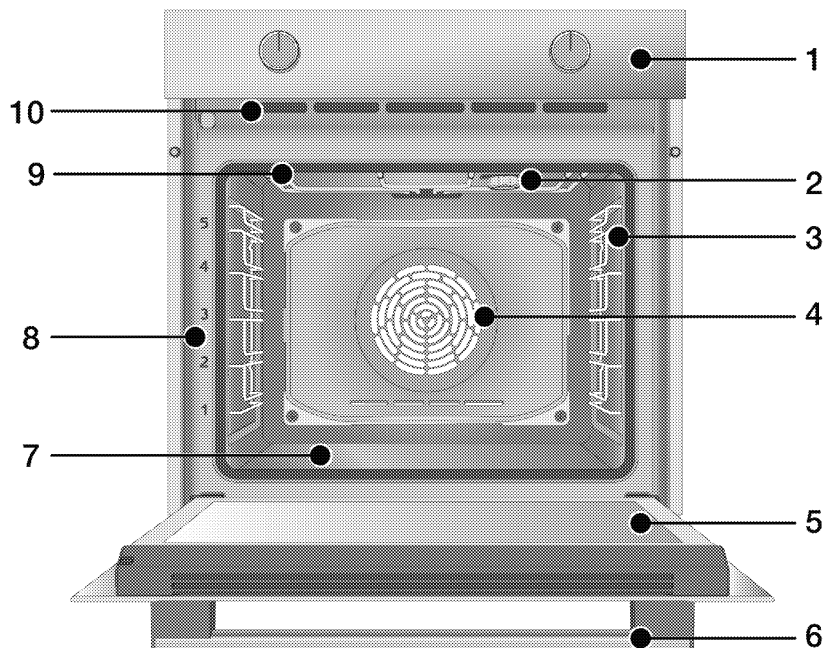
Recommandations pour économiser l'énergie

Les recommandations ci-après vous aideront à utiliser votre appareil de façon écologique tout en économisant de l'énergie.

- Décongelez les aliments congelés avant de les faire cuire.
- Dans le four, utilisez des récipients sombres ou émaillés qui transmettent mieux la chaleur.
- Éteignez l'appareil 5 à 10 minutes avant la fin de la cuisson pour une cuisson prolongée. Vous pouvez désormais économiser jusqu'à 20 % d'électricité en utilisant la chaleur.
- S'il est indiqué dans la recette ou le manuel d'utilisation, préchauffez toujours. N'ouvrez pas la porte du four trop souvent pendant la cuisson.
- Essayez de faire cuire plus d'un plat à la fois au four. Vous pouvez cuisiner en même temps en plaçant deux récipients de cuisson sur l'étagère métallique. De plus, si vous faites cuire vos repas l'un après l'autre, vous économiserez de l'énergie, car le four ne perdra pas sa chaleur.

3 Votre appareil

Présentation de l'appareil



- 1 Panneau de commande
- 2 Lampe*
- 3 Étagères grillagées**
- 4 Moteur du ventilateur (derrière la plaque d'acier)
- 5 Porte
- 6 Poignée
- 7 Élément chauffant inférieur (plaque d'acier inférieure)
- 8 Positions de l'étagère
- 9 Réchauffeur supérieur
- 10 Orifices de ventilation

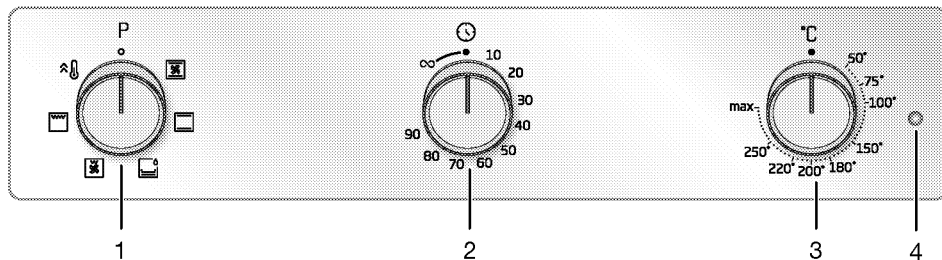
* Cela dépend du modèle. Il se peut que votre appareil ne soit pas équipé d'une lampe, ou que le type et l'emplacement de la lampe soient différents de ce qu'indique l'illustration.

** Cela dépend du modèle. Il se peut que votre appareil ne soit pas équipé d'étagères grillagées. Dans l'illustration, des étagères grillagées sont indiquées à titre d'exemple.

Présentation et utilisation du panneau de commande de l'appareil

Dans cette section, vous trouverez l'aperçu et les utilisations de base du panneau de commande de l'appareil. Les images et certaines caractéristiques peuvent varier selon le type d'appareil.

Unité de commande du four



- 1 Bouton de sélection de fonctions
- 2 Bouton de minuterie (Cela dépend du modèle. La minuterie de votre produit peut durer 100 ou 90 minutes.)
- 3 Bouton pour température
- 4 Voyant du thermostat

Si des boutons contrôlent votre produit, ceux-ci peuvent être encastrés dans le panneau sur certains modèles et sortir en cas de pression dessus. Pour effectuer les réglages à l'aide de ces boutons, il convient d'enfoncer au préalable le bouton correspondant et le retirer.

Après avoir effectué votre réglage, appuyez à nouveau et remettez le bouton en place.

Bouton de sélection de fonctions

Vous pouvez sélectionner les fonctions d'utilisation du four à l'aide du bouton de sélection des fonctions. Tournez à gauche / à droite à partir de la position fermée (en haut) pour sélectionner.

Bouton pour température

Vous pouvez sélectionner la température de cuisson de votre choix à l'aide du bouton de réglage de la température.

Tournez dans le sens horaire à partir de la position fermée (en haut) pour sélectionner.

Indicateur de température

Vous pouvez déterminer la température interne du four grâce au voyant de température. Le voyant de température est situé sur le panneau de commande. Le voyant de température s'allume lorsque l'appareil démarre, et s'éteint lorsque l'appareil atteint la température réglée. Lorsque la température interne du four chute en dessous de la température définie, le voyant de température s'éteint.








Minuterie

Vous pouvez cuisiner en réglant le temps de cuisson à l'aide du bouton de la minuterie. Si vous tournez le bouton sur le symbole, ∞ vous pouvez utiliser l'appareil manuellement (sous votre contrôle).

Indicateur	Description
10 - 100	Temps de cuisson réglable.
∞	Symbole de cuisson manuelle

Fonctions d'utilisation du four

Sur le tableau de fonctions, vous trouverez les fonctions de cuisson que vous pouvez utiliser dans votre four et les températures les plus élevées et les plus basses qui peuvent être réglées pour ces fonctions. L'ordre des modes de fonctionnement indiqués ici peut être différent de la disposition sur votre l'appareil.

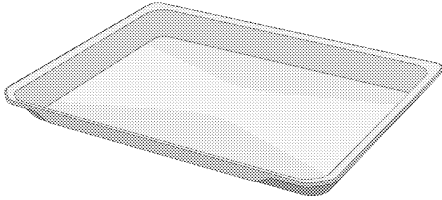
Symbole de fonction	Description des fonctions	Plage de température (°C)	Description et utilisation
	Chauffage par le haut et par le bas	*	Les aliments sont chauffés au-dessus et en dessous au même moment. Approprié pour les gâteaux et les ragoûts dans les moules de cuisson et les pâtisseries. La cuisson se fait avec un seul plateau.
 	Chauffage par le bas	*	Seul le chauffage inférieur est en marche. Il convient aux aliments dont le fond doit être bruni. Cette fonction doit également être utilisée pour faciliter le nettoyage à la vapeur.
	Chauffage de haut / bas assisté par ventilateur	*	L'air chauffé par les appareils de chauffage supérieur et inférieur est distribué de façon égale et rapide dans tout le four grâce au ventilateur. La cuisson se fait avec un seul plateau.
	Grille complète	*	La grande grille au plafond du four fonctionne. Il convient aux grillades en grandes quantités.
	Gril inférieur assisté par ventilateur	*	L'air chauffé par la petite grille est rapidement distribué dans le four grâce au ventilateur. Elle convient aux grillades en petites quantités.
	Chauffage rapide	-	Tous les éléments chauffants du four fonctionnent. Cette fonction de cuisson permet d'amener rapidement le four à la température souhaitée (préchauffage). Ne l'utilisez pas pour la cuisson des aliments.

* Votre appareil fonctionne dans la plage de température indiquée sur le bouton de température.

Accessoires de l'appareil

Votre appareil comporte divers accessoires. Cette section fournit une description des accessoires et des orientations pour une utilisation correcte. Selon le modèle de l'appareil, l'accessoire fourni varie. Tous les accessoires décrits dans le manuel d'utilisation peuvent ne pas être disponibles dans votre appareil.

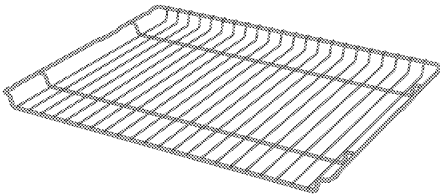
REMARQUE : Les plateaux de votre appareil peuvent être déformés sous l'effet de la température. Ceci n'a aucun effet sur la fonction. La déformation disparaît lorsque le plateau refroidit.



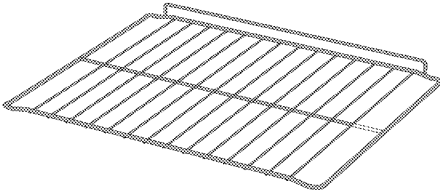
Plateau standard

Il est utilisé pour les pâtisseries, les aliments surgelés et la friture de gros morceaux.

Modèles à étagères grillagées:



Modèles sans étagères grillagées:



Grille métallique

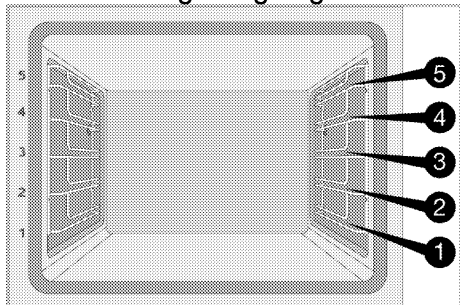
Il est utilisé pour frire ou placer les aliments à cuire, frire et mijoter sur la grille désirée.

Utilisation des accessoires de l'appareil

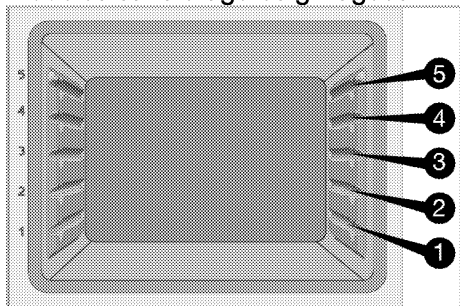
Étagères de cuisine

Il existe 5 niveaux de position des étagères dans la zone de cuisson. Vous pouvez également voir l'ordre des étagères en regardant les numéros figurant sur le cadre frontal du four.

Modèles à étagères grillagées



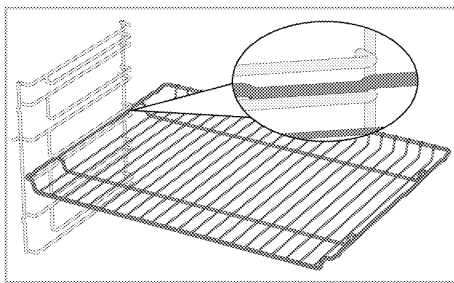
Modèles sans étagères grillagées



Mise en place de la grille métallique et du plateau métallique sur les étagères de cuisine

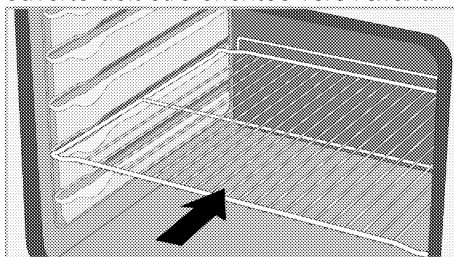
Modèles à étagères grillagées:

Il est essentiel de bien placer la grille métallique sur les étagères métalliques latérales. En plaçant la grille métallique sur l'étagère souhaitée, la partie ouverte doit être orientée vers l'avant. Pour une meilleure cuisson, la grille métallique doit être fixée avec la butée sur l'étagère métallique. Elle ne doit pas traverser la butée et entrer en contact avec la paroi arrière du four.



Modèles sans étagères grillagées:

Il est essentiel de bien placer la grille métallique sur les étagères latérales. La grille métallique n'est orientée que vers une seule direction lorsqu'elle est placée sur l'étagère. En plaçant la grille métallique sur l'étagère souhaitée, la partie ouverte doit être orientée vers l'avant.



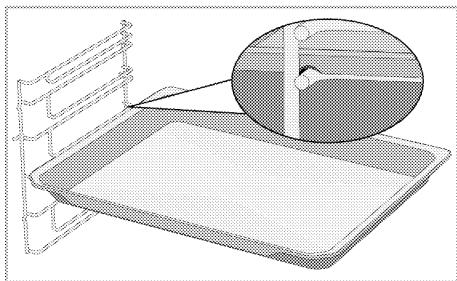
Mise en place du plateau sur les étagères de cuisine

Modèles à étagères grillagées:

Il est également important de bien placer les plateaux sur les étagères métalliques latérales.

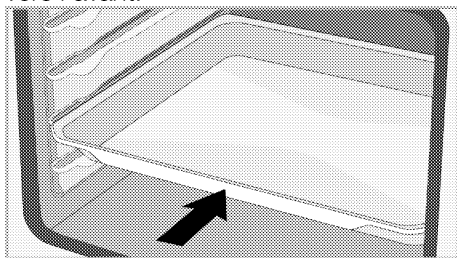
Lorsque vous placez le plateau sur l'étagère souhaitée, son côté conçu pour être tenu doit se trouver vers l'avant.

Pour une meilleure cuisson, le plateau doit être fixé avec la butée sur l'étagère métallique. Elle ne doit pas traverser la butée et entrer en contact avec la paroi arrière du four.



Modèles sans étagères grillagées:

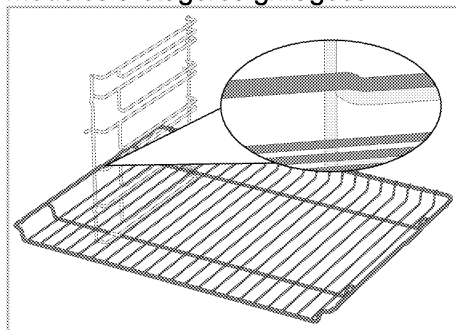
Il est également important de bien placer les plateaux sur les étagères latérales. Le plateau n'est orienté que vers une seule direction lorsqu'il est placé sur l'étagère. Lorsque vous placez le plateau sur l'étagère souhaitée, son côté conçu pour être tenu doit se trouver vers l'avant.



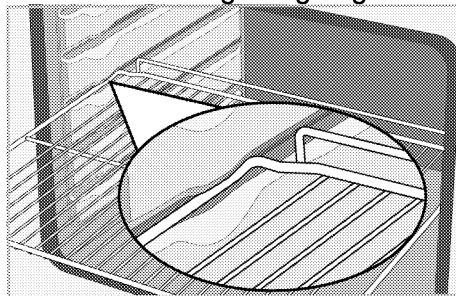
Fonction de butée du grillage

Il existe une fonction de butée qui empêche la grille métallique de basculer de l'étagère métallique. Grâce à cette fonction, vous pouvez sortir votre nourriture facilement et en toute sécurité. Tout en retirant la grille métallique, vous pouvez la tirer vers l'avant jusqu'à ce qu'elle atteigne la butée. Vous devez passer au-dessus de la butée pour l'enlever complètement.

Modèles à étagères grillagées

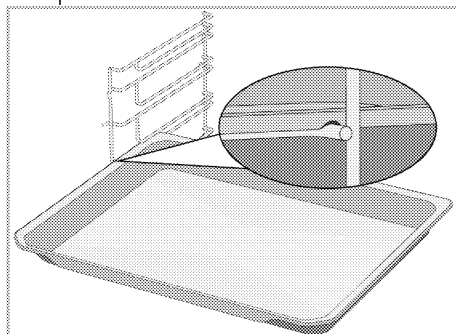


Modèles sans étagères grillagées



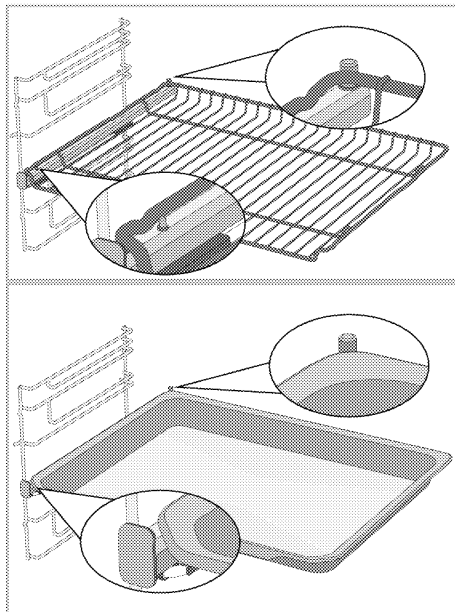
Fonction de butée de la grille de barbecue métallique Modèles à étagères grillagées

Il existe également une fonction de butée qui empêche le plateau de basculer de l'étagère métallique. Tout en enlevant le plateau, dégagez-le du verrou arrière et tirez-le vers vous jusqu'à ce qu'il atteigne le bouchon. Vous devez passer au-dessus de la butée pour l'enlever complètement.



Mise en place appropriée de la grille métallique et du plateau sur les rails télescopiques Modèles à étagères grillagées et rails télescopiques

Grâce aux rails télescopiques, les plateaux ou la grille métallique peuvent être facilement installés et retirés. Lors de l'utilisation de plateaux et de grilles métalliques avec le rail télescopique, il faut s'assurer que les broches, à l'avant et à l'arrière des rails télescopiques, reposent sur les bords de la grille et du plateau (comme indiqué sur la figure).






Caractéristiques techniques

Spécifications générales

Dimension externe de l'appareil (hauteur/largeur/profondeur)	595 mm/594 mm/567 mm
Dimension d'installation du four (hauteur/largeur/profondeur)	590 ou 600 mm/560 mm/min. 550 mm
Tension/fréquence	220-240 V ~ 50 Hz
Type et section du câble utilisé / adapté à l'utilisation dans l'appareil	min. H05VV-FG 3 x 1,5 mm ²
Consommation totale d'énergie	2.4 kW
Type de fours	Four assisté par ventilateur

Classique : Les informations figurant sur l'étiquette énergétique des fours électriques sont données conformément à la norme EN 60350-1 / IEC 60350-1. Ces valeurs sont déterminées sous charge standard avec des fonctions de chauffage par le bas ou par ventilateur (le cas échéant).

La classe d'efficacité énergétique est déterminée selon l'ordre de priorité suivant, selon que les fonctions pertinentes existent ou non sur l'appareil : 1- Chauffage par ventilateur écologique, 2- Chauffage soufflant 3- Gril inférieur assisté par ventilateur, 4- Chauffage par le haut et par le bas.

-  Les spécifications techniques peuvent être modifiées sans préavis afin d'améliorer la qualité de l'appareil.
-  Les illustrations présentées dans ce manuel sont schématiques et peuvent ne pas correspondre exactement à votre appareil.
-  Les valeurs indiquées sur les étiquettes de l'appareil ou dans la documentation accompagnant l'appareil sont obtenues dans des conditions de laboratoire, en conformité avec les normes applicables. Ces valeurs peuvent varier en fonction des conditions d'utilisation et l'environnement de l'appareil.

4 Première utilisation

Avant de commencer à utiliser votre appareil, il est recommandé de suivre les étapes décrites dans les sections suivantes :

Premier nettoyage

1. Retirez tous les emballages.
2. Retirez tous les accessoires du four prévu à l'intérieur du produit.
3. Allumez l'appareil et laissez-le fonctionner pendant 30 minutes, puis éteignez-le. De cette façon, les résidus et les couches qui ont pu rester dans le four pendant la fabrication sont brûlés et nettoyés.
4. Lorsque vous utilisez l'appareil, sélectionnez la température la plus élevée et la fonction de cuisson que tous les appareils de chauffage de votre appareil utilisent. Voir « Fonctions de cuisson du four ». Vous pouvez apprendre comment faire fonctionner le four dans la section suivante.
5. Veuillez attendre que le four refroidisse.
6. Essuyez les surfaces du produit avec un chiffon ou une éponge humide et séchez-les avec un chiffon.

Avant d'utiliser les accessoires ;

Nettoyez les accessoires que vous retirez du four avec de l'eau savonneuse et une éponge de nettoyage douce.

REMARQUE La surface pourrait être endommagée par certains détergents ou produits de nettoyage. N'utilisez pas de détergents agressifs, de poudre/crèmes de nettoyage ou d'objets tranchants pour le nettoyage.

REMARQUE Une odeur et de la fumée peuvent se dégager pendant quelques heures au cours de la première utilisation. Ce phénomène est tout à fait normal. Assurez-vous que la pièce est bien aérée pour évacuer l'odeur et la fumée. Évitez de respirer la fumée et l'odeur qui se dégagent.

5 Utilisation du four

Informations générales relatives à l'utilisation du four

Ventilateur de refroidissement (Votre appareil peut ne pas en être équipé.)

Votre produit est équipé d'un ventilateur de refroidissement. Le ventilateur de refroidissement est activé automatiquement en cas de besoin et refroidit à la fois la face avant de l'appareil et le four. Il est automatiquement désactivé lorsque le processus de refroidissement est terminé. L'air chaud sort par la porte du four. Évitez de couvrir ces ouvertures de ventilation. Sinon, le four risque de surchauffer.

Le ventilateur de refroidissement continue à fonctionner pendant le fonctionnement du four ou après l'arrêt du four (pendant environ 20 à 30 minutes). Si vous cuisinez en programmant la minuterie du four, à la fin du temps de cuisson, le ventilateur de refroidissement s'éteint au même moment que toutes les fonctions. L'utilisateur ne peut pas déterminer la durée de fonctionnement du ventilateur de refroidissement. Il s'allume et s'éteint automatiquement. Ce n'est pas une erreur.


Éclairage du four

La lampe du four s'allume lorsque le four entame la cuisson. Sur certains modèles, la lampe reste allumée pendant la cuisson, tandis que sur d'autres, elle s'éteint après un certain temps.

Fonctionnement de l'unité de commande du four

Mise en marche du four

Lorsque vous sélectionnez une fonction de cuisson à l'aide du bouton de sélection de fonctions et que vous réglez une température donnée à l'aide du bouton

de température, le four se met en marche. Tournez le bouton de la minuterie sur un temps de cuisson spécifique ou sur le symbole  pour mettre le four en marche.

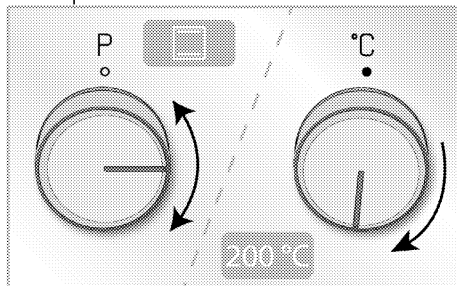
Arrêt du four


Vous pouvez arrêter le four en tournant les boutons de sélection de fonctions, de température et de minuterie en position arrêt (haut).

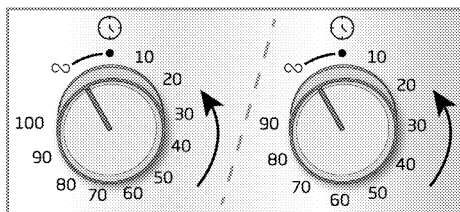
Cuisson manuelle pour la sélection de la température et de la fonction de cuisson du four

Vous pouvez cuisiner à l'aide d'une commande manuelle (sous votre propre contrôle) sans régler le temps de cuisson en sélectionnant la température et la fonction de cuisson spécifiques à vos aliments.

Exemple :



1. Sélectionnez la fonction de cuisson à l'aide du bouton de sélection de fonctions.
2. Réglez la température de cuisson souhaitée à l'aide du bouton de température.
3. Tournez le bouton de la minuterie sur le symbole .

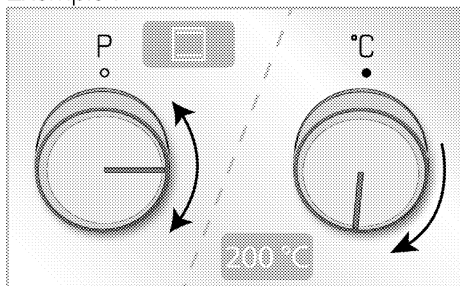


» Votre four se met en marche immédiatement à la fonction et à la température sélectionnées, et le voyant de température s'allume. Lorsque la température interne du four atteint la température définie, le voyant de température s'éteint. Le four ne s'arrête pas automatiquement après le début de la cuisson. Vous devez contrôler vous-même la cuisson et l'arrêter. Lorsque votre cuisson est terminée, arrêtez le four en tournant les boutons de sélection de fonctions, de température et de minuterie en position arrêt (haut).

Cuisson effectuée par le réglage du temps de cuisson

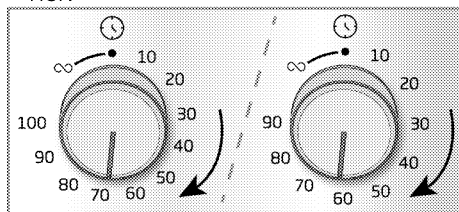
Vous pouvez programmer le four pour qu'il s'arrête automatiquement à la fin du temps en sélectionnant la température et la fonction de cuisson spécifiques à vos aliments et en réglant le temps de cuisson sur la minuterie.

Exemple :



1. Sélectionnez la fonction de cuisson à l'aide du bouton de sélection de fonctions.

2. Réglez la température de cuisson souhaitée à l'aide du bouton de température.
3. Tournez le bouton de la minuterie à l'heure à laquelle vous souhaitez cuisiner.



» Votre four se met en marche immédiatement à la fonction et à la température sélectionnées, et le voyant de température s'allume. Lorsque la température interne du four atteint la température définie, le voyant de température s'éteint.

4. Une fois le temps de cuisson écoulé, le bouton de la minuterie tourne automatiquement dans le sens antihoraire. Un signal sonore retentit et le four arrête la cuisson.
5. Lorsque votre cuisson est terminée, arrêtez le four en tournant les boutons de sélection de fonctions et de température en position arrêt (haut). Si vous souhaitez continuer, tournez le bouton de la minuterie dans le sens horaire jusqu'à un temps de cuisson déterminé. Le four continue de fonctionner à la fonction et à la température réglées.

Pour arrêter la cuisson plus tôt que le temps défini ;

1. Tournez le bouton de la minuterie dans le sens antihoraire jusqu'à ce qu'il atteigne la position arrêt (haut).
2. Arrêtez le four en tournant les boutons de sélection de fonctions et de température en position arrêt (haut).

6 Informations générales sur la cuisson

Cette section décrit les conseils sur la préparation et la cuisson de vos aliments.

De plus, vous pouvez également trouver certains des aliments testés par les producteurs et les cadres les plus appropriés pour ces aliments. Les réglages du four et des accessoires appropriés pour ces aliments y sont également indiqués.

Avertissements généraux sur la cuisson au four

- Lorsque vous ouvrez la porte du four pendant ou après la cuisson, de la vapeur brûlante peut s'en échapper. La vapeur peut vous brûler la main, le visage et / ou les yeux. Lorsque vous ouvrez la porte du four, tâchez de rester à l'écart.
- La vapeur intense générée pendant la cuisson peut former des gouttes d'eau de condensation à l'intérieur et à l'extérieur du four, et sur les parties supérieures de l'appareil en raison de la différence de température. Il s'agit d'un phénomène physique et normal.
- Les valeurs de température et de temps de cuisson indiquées pour les aliments peuvent varier selon la recette et la quantité. Pour cette raison, ces valeurs sont fournies sous forme de plages.
- Retirez toujours les accessoires non utilisés du four avant de lancer la cuisson. Les accessoires laissés dans le four peuvent empêcher que vos aliments cuisent à de valeurs de température appropriées.
- Pour les aliments que vous cuisinez selon votre propre recette, vous pouvez faire référence à des aliments similaires indiqués dans les tables de cuisson.

- L'utilisation des accessoires fournis vous permet d'obtenir les meilleures performances de cuisson. Prêtez toujours attention aux avertissements et aux informations fournis par le fabricant pour d'autres ustensiles de cuisine que vous utilisez.
- Découpez le papier sulfurisé à utiliser pendant votre cuisson dans des dimensions adaptées au récipient dans lequel vous cuisinez. Lorsque le papier sulfurisé déborde du récipient, cela peut causer des brûlures et affecter la qualité de votre cuisson. Utilisez le papier sulfurisé dans la plage de température indiquée.
- Pour une bonne performance de cuisson, placez vos aliments sur la bonne étagère recommandée. Ne changez pas la position de l'étagère pendant la cuisson.

Pâtisseries et aliments cuits au four

Informations générales

- Nous vous recommandons d'utiliser les accessoires de l'appareil pour obtenir une bonne performance de cuisson. Si vous comptez utiliser un ustensile de cuisson autre que ceux fournis, optez pour un ustensile de couleur sombre, antiadhésif et résistant à la chaleur.
- Si le préchauffage d'aliments est recommandé dans la table de cuisson, veillez à les mettre au four par la suite.
- Si vous comptez cuisiner à l'aide d'ustensiles de cuisine sur la grille métallique, placez-les au milieu de la grille, et non près du mur arrière.
- Tous les ingrédients utilisés dans la fabrication des pâtisseries doivent être frais et à température ambiante.

- L'état de cuisson des aliments peut varier selon la quantité de nourriture et la taille des ustensiles de cuisine utilisés.
- Les moules en métal, en céramique et en verre prolongent le temps de cuisson et la surface inférieure des pâtisseries ne brunit pas uniformément.
- Si vous utilisez du papier de cuisson pendant la cuisson, un peu de brunissement peut être observé sur la surface inférieure des aliments. Dans ce cas, vous devrez peut-être prolonger votre temps de cuisson d'environ 10 minutes.
- Les valeurs indiquées dans les tables de cuisson sont déterminées à la suite des tests effectués dans nos laboratoires. Les valeurs qui vous conviennent peuvent être différentes de celles-ci.
- Placez vos aliments sur l'étagère appropriée recommandée dans la table de cuisson. Reportez-vous à l'étagère inférieure du four comme étagère 1.

Conseils pour la cuisson des gâteaux

- Si le gâteau est trop sec, augmentez la température de 10 °C et diminuez le temps de cuisson.
- Si le gâteau est pâteux, utilisez une petite quantité de liquide ou réduisez la température de 10 °C.
- Si le dessus du gâteau est brûlé, placez-le sur une étagère inférieure, bais-

sez la température et augmentez le temps de cuisson.

- S'il est correctement cuit à l'intérieur, mais que l'extérieur est collant, utilisez une plus petite quantité de liquide, réduisez la température et augmentez le temps de cuisson.

Conseils pour la cuisson des pâtisseries

- Si la pâtisserie est trop sèche, augmentez la température de 10 °C et diminuez le temps de cuisson. Humidifiez les feuilles de pâte à l'aide d'une sauce composée d'un mélange de lait, d'huile, d'œuf et de yaourt.
- Si la pâtisserie cuit lentement, veillez à ce que l'épaisseur de la pâte que vous avez préparée ne déborde pas du plateau.
- Si la surface de la pâte est dorée et que le fond n'est pas cuit, assurez-vous que la quantité de sauce utilisée au fond de la pâte n'est pas trop importante. Pour que la pâtisserie soit dorée de façon uniforme, essayez d'étaler uniformément la sauce entre les feuilles de pâte et la pâte.
- Faites cuire votre pâte à la position et à la température spécifiées dans la table de cuisson. Si le fond n'est toujours pas assez doré, placez-le sur une étagère inférieure pour la prochaine cuisson.

Table de cuisson pour pâtisseries et aliments cuits au four

Aliment	Nombre de plateaux	Accessoire à utiliser	Fonction d'utilisation	Position de l'étagère	Température (°C)	Durée de cuisson (en min) (environ)
Gâteaux dans le plateau	Plateau unique	Plateau standard*	Chauffage par le haut et par le bas	3	180	30 ... 40
Gâteaux dans le moule	Plateau unique	Moule à gâteau sur la grille métallique**	Chauffage par le haut et par le bas	2	180	30 ... 40
Petits gâteaux	Plateau unique	Plateau standard*	Chauffage par le haut et par le bas	3	160	25 ... 35
	Plateau unique	Plateau standard*	Chauffage de haut / bas assisté par ventilateur	3	150	20 ... 30
Génoise	Plateau unique	Moule à gâteau rond, 26 cm de diamètre avec pince sur grille métallique**	Chauffage par le haut et par le bas	2	160	30 ... 40
	Plateau unique	Moule à gâteau rond, 26 cm de diamètre avec pince sur grille métallique**	Chauffage de haut / bas assisté par ventilateur	2	160	20 ... 30
Biscuit	Plateau unique	Plateau de pâtisseries*	Chauffage par le haut et par le bas	3	170	25 ... 35
Pâte à tarte	Plateau unique	Plateau standard*	Chauffage de haut / bas assisté par ventilateur	2	200	30 ... 40
Pâtisserie riche	Plateau unique	Plateau standard*	Chauffage par le haut et par le bas	2	200	20 ... 30
Pain entier	Plateau unique	Plateau standard*	Chauffage par le haut et par le bas	2	200	30 ... 40
Lasagnes	Plateau unique	Moule rectangulaire en verre / métal sur grille métallique**	Chauffage par le haut et par le bas	2 ou 3	200	30 ... 40
Tarte aux pommes	Plateau unique	Moule rond en métal noir, 20 cm de diamètre sur grille métallique**	Chauffage par le haut et par le bas	2	180	50 ... 70
Pizza	Plateau unique	Plateau standard*	Chauffage par le haut et par le bas	2	200 ... 220	10 ... 20

Il est recommandé de préchauffer tous les aliments.

* Ces accessoires peuvent ne pas être inclus dans votre appareil.

** Ces accessoires ne sont pas inclus dans votre appareil. Ce sont des accessoires disponibles dans le commerce.

Viande, poisson et volaille

Les points clés de la torréfaction

- L'assaisonnement avec du jus de citron et du poivre avant la cuisson de tout le poulet, de la dinde et des gros morceaux de viande permettra d'améliorer la qualité de la cuisson.
- Il faut 15 à 30 minutes de plus pour faire cuire une viande désossée que de faire frire un filet.
- Vous devez calculer environ 4 à 5 minutes de temps de cuisson par centimètre d'épaisseur de la viande.
- Une fois la durée de cuisson terminée, gardez la viande au four pendant environ 10 minutes. Le jus de la viande est mieux réparti sur la viande frite et ne ressort pas lorsque vous découpez la viande.
- Le poisson doit être placé sur une étagère de niveau moyen ou bas dans une assiette résistante à la chaleur.

Table de cuisson pour viande, poisson et volaille

Aliment	Nombre de plateaux	Accessoire à utiliser	Fonction d'utilisation	Position de l'étagère	Température (°C)	Durée de cuisson (en min) (environ)
Steak (entier) / Rôti (1 kg)	Plateau unique	Plateau standard*	Chauffage de haut / bas assisté par ventilateur	3	15 mn 250/max, puis 180 ... 190	60 ... 80
Jarret d'agneau (1.5 - 2.0 kg)	Plateau unique	Plateau standard*	Chauffage de haut / bas assisté par ventilateur	3	15 mn 250/max, puis 170	110 ... 120
Poulet rôti (1.8-2 kg)	Plateau unique	Grille métallique* Placez un plateau sur une étagère inférieure	Chauffage de haut / bas assisté par ventilateur	2	15 mn 250/max, puis 190	60 ... 80
Turquie (5.5 kg)	Plateau unique	Plateau standard*	Chauffage de haut / bas assisté par ventilateur	1	25 mn 250/max, puis 180 ... 190	150 ... 210
Poisson	Plateau unique	Grille métallique* Placez un plateau sur une étagère inférieure	Chauffage de haut / bas assisté par ventilateur	3	200	20 ... 30

Il est recommandé de préchauffer tous les aliments.

* Ces accessoires peuvent ne pas être inclus dans votre appareil.

** Ces accessoires ne sont pas inclus dans votre appareil. Ce sont des accessoires disponibles dans le commerce.

Grille

La viande rouge, le poisson et la volaille brunissent rapidement lorsqu'ils sont grillés, ils gardent une belle croûte et ne se dessèchent pas. Les filets de viande, les brochettes, les saucisses ainsi que les légumes juteux (tomates, oignons, etc.) sont particulièrement adaptés aux grillades.

Avertissements généraux

- Les aliments qui ne sont pas adaptés aux grillades présentent un risque d'incendie. Faites griller uniquement les aliments qui sont adaptés à un feu de barbecue intense. Ne placez pas non plus les aliments trop loin à l'arrière de la grille. Il s'agit de la zone la plus chaude et les aliments gras peuvent prendre feu.
 - **Fermez la porte du four pendant la grillade. Ne faites jamais de grillade avec la porte du four ouverte. Les surfaces chaudes peuvent causer des brûlures !**
- Préparez autant que possible des aliments dont l'épaisseur et le poids sont similaires à la grille.
 - Placez les morceaux à griller sur la grille métallique ou sur la grille de barbecue métallique en les répartissant sans dépasser les dimensions de l'appareil de chauffage.
 - Les durées de cuisson indiquées sur le tableau peuvent varier en fonction de l'épaisseur des morceaux à griller.
 - Faites glisser la grille métallique ou la grille de barbecue métallique jusqu'au niveau souhaité dans le four. Si vous cuisinez sur la grille métallique, faites glisser la plaque de four vers l'étagère inférieure pour récupérer l'huile. La plaque de four que vous allez faire glisser doit être dimensionnée de manière à couvrir toute la surface de la grille. Ce plateau peut ne pas être inclus dans l'appareil. Mettez un peu d'eau dans la plaque de four pour faciliter le nettoyage.

Table barbecue

Aliment	Accessoire à utiliser	Position de l'étagère	Température (°C)	Durée de cuisson (en min) (environ)
Poisson	Grille métallique	4 - 5	250	20 ... 25
Morceaux de volaille	Grille métallique	4 - 5	250	25 ... 35
Boulettes de viande (boeuf) - 12 pièces	Grille métallique	4	250	20 ... 30
Côtelette d'agneau	Grille métallique	4 - 5	250	20 ... 25
Steak - (tranché)	Grille métallique	4 - 5	250	25 ... 30
Côtelette de veau	Grille métallique	4 - 5	250	25 ... 30
Gratin de légumes	Grille métallique	4 - 5	220	20 ... 30
Pain grillé	Grille métallique	4	250	1 ... 3

Il est recommandé de préchauffer tous les aliments grillés pendant 5 minutes.

Retournez les morceaux d'aliments après la moitié du temps total de grillage.

Gril inférieur assisté par ventilateur

Aliment	Accessoire à utiliser	Fonction d'utilisation	Position de l'étagère	Température (°C)	Durée de cuisson (en min) (environ)
Poisson	Grille métallique	Gril inférieur assisté par ventilateur	4	200	30 ... 35
Morceaux de volaille	Grille métallique	Gril inférieur assisté par ventilateur	4	250	25 ... 35
Boulettes de viande (boeuf) - 12 pièces	Grille métallique	Gril inférieur assisté par ventilateur	4	250	30 ... 40
Steak (entier) / Rôti (1 kg)	Grille métallique Placez un plateau sur une étagère inférieure	Gril inférieur assisté par ventilateur	3	15 mn 250, puis 180 ... 190	90 ... 110

Ne préchauffez pas tous les aliments grillés dans cette table barbecue.

Aliments test

Les aliments de cette table de cuisson sont préparés conformément à la norme EN 60350-1 afin de faciliter les tests de l'appareil pour les instituts de contrôle.

Tableau de cuisson pour aliments expérimentaux

Aliment	Nombre de plateaux	Accessoire à utiliser	Fonction d'utilisation	Position de l'étagère	Température (°C)	Durée de cuisson (en min) (environ)
Sablé (biscuit sucré)	Plateau unique	Plateau standard*	Chauffage par le haut et par le bas	3	140	20 ... 30
Petits gâteaux	Plateau unique	Plateau standard*	Chauffage par le haut et par le bas	3	160	25 ... 35
	Plateau unique	Plateau standard*	Chauffage de haut / bas assisté par ventilateur	2	150	20 ... 30
Génoise	Plateau unique	Moule à gâteau rond, 26 cm de diamètre avec pince sur grille métallique**	Chauffage par le haut et par le bas	2	160	30 ... 40
	Plateau unique	Moule à gâteau rond, 26 cm de diamètre avec pince sur grille métallique**	Chauffage de haut / bas assisté par ventilateur	2	160	20 ... 30
Tarte aux pommes	Plateau unique	Moule rond en métal noir, 20 cm de diamètre sur grille métallique**	Chauffage par le haut et par le bas	2	180	50 ... 70

Il est recommandé de préchauffer tous les aliments.

* Ces accessoires peuvent ne pas être inclus dans votre appareil.

** Ces accessoires ne sont pas inclus dans votre appareil. Ce sont des accessoires disponibles dans le commerce.

Grille

Aliment	Accessoire à utiliser	Position de l'étagère	Température (°C)	Durée de cuisson (en min) (environ)
Pain grillé	Grille métallique	4	250	1 ... 3
Boulettes de viande (boeuf) - 12 pièces	Grille métallique	4	250	20 ... 30

Retournez les aliments après la moitié du temps total de grillage.

Il est recommandé de préchauffer tous les aliments grillés pendant 5 minutes.

7 Maintenance et entretien

Consignes de nettoyage générales

▲ Avertissements généraux

- Attendez que l'appareil refroidisse avant de le nettoyer. Les surfaces chaudes peuvent causer des brûlures !
- N'appliquez pas les détergents directement sur les surfaces chaudes. Ils peuvent provoquer des taches permanentes.
- L'appareil doit être soigneusement nettoyé et séché après chaque opération. Ainsi, les résidus alimentaires sont faciles à nettoyer et ces résidus ne brûlent pas lorsque l'appareil est réutilisé ultérieurement. Ainsi, la durée de vie de l'appareil est prolongée et les problèmes fréquemment rencontrés sont réduits.
- N'utilisez pas de produits de nettoyage à vapeur pour le nettoyage.
- Certains détergents ou agents de nettoyage peuvent endommager la surface. N'utilisez pas de détergents abrasifs, de poudres de nettoyage, de crèmes de nettoyage, de détartrants ou d'objets pointus pendant le nettoyage.
- Il n'est pas nécessaire d'utiliser un produit de nettoyage spécial pour le nettoyage après chaque utilisation. Nettoyez l'appareil à l'aide de savon à vaisselle, d'eau chaude et d'un chiffon doux ou d'une éponge et séchez-le à l'aide d'un chiffon sec en microfibres.
- Assurez-vous d'essuyer complètement tout le liquide restant après le nettoyage et nettoyez immédiatement toute éclaboussure d'aliments pendant la cuisson.
- Ne lavez aucun composant de votre appareil dans un lave-vaisselle.

Surfaces en inox et en acier inoxydable

- N'utilisez pas d'agents de nettoyage contenant de l'acide ou du chlore pour nettoyer les surfaces et les poignées en acier inoxydable ou en inox.
- La surface en acier inoxydable ou en inox peut changer de couleur avec le temps. C'est normal. Après chaque opération, nettoyez avec un détergent adapté à la surface en acier inoxydable ou en inox.
- Nettoyez à l'aide d'un chiffon doux savonneux et d'un détergent liquide (non abrasif) adapté à la surface en inox, en prenant soin d'essuyer dans un sens.
- Retirez immédiatement et sans attendre les taches de calcaire, d'huile, d'amidon, de lait et de protéine sur les surfaces en acier-inox et en verre. À la longue, les taches peuvent causer la rouille.

Surfaces émaillées

- Après chaque utilisation, nettoyez les surfaces émaillées à l'aide d'un détergent à vaisselle, d'eau chaude et d'un chiffon doux ou d'une éponge et séchez-les à l'aide d'un chiffon sec.
- Si votre appareil est doté d'une fonction de nettoyage facile à la vapeur, vous pouvez faire du nettoyage facile à la vapeur pour la saleté légère non permanente. (Voir la section « Nettoyage à la vapeur facile »)
- Pour les taches tenaces, vous pouvez utiliser le nettoyant pour four et grill recommandé sur le site Web de la marque de votre produit et un tampon à récurer non abrasif. N'utilisez pas de produit de nettoyage de four externe.
- Pour nettoyer le foyer, laissez le four refroidir. Le nettoyage sur des sur-

faces chaudes crée à la fois un risque d'incendie et des dommages à la surface émaillée.

Surfaces catalytiques

- Les parois latérales du foyer ne peuvent être recouvertes que par des parois émaillées ou catalytiques. Cela varie selon le modèle.
- Les parois catalytiques ont une surface légèrement mate et poreuse. Ne nettoyez pas les parois catalytiques du four.
- Les surfaces catalytiques absorbent de l'huile grâce à sa structure poreuse et commencent à briller lorsque la surface est saturée d'huile, dans ce cas il est recommandé de remplacer les pièces.

Surfaces en verre

- Lors du nettoyage des surfaces en verre, n'utilisez pas de grattoirs métalliques durs ni de produits de nettoyage abrasifs. Ils peuvent endommager la surface en verre.
- Nettoyez l'appareil à l'aide d'un détergent à vaisselle, d'eau chaude et d'un chiffon en microfibras spécifique pour les surfaces en verre et séchez-le à l'aide d'un chiffon sec en microfibras.
- Si des résidus de détergent restent après le nettoyage, nettoyez-les avec de l'eau froide et séchez à l'aide d'un chiffon en microfibras sec et propre. Les résidus de détergent peuvent endommager la surface du verre la prochaine fois.
- Les résidus séchés sur la surface du verre ne doivent en aucun cas être nettoyés avec des couteaux dentelés, du fil laine métallique ou des outils de grattage similaires.
- Vous pouvez éliminer les taches de calcium (taches jaunes) sur la surface du verre à l'aide d'un agent de détar-

trage disponible sur le marché, tel que le vinaigre ou le jus de citron.

- Si la surface est très sale, appliquez le produit de nettoyage sur la tache à l'aide d'une éponge et patientez longtemps qu'il agisse correctement. Nettoyez ensuite la surface en verre à l'aide d'un chiffon humide.
- Les décolorations et les taches sur la surface en verre sont normales et ne présentent pas de défauts.

Pièces en plastique et surfaces peintes

- Nettoyez les pièces en plastiques et les surfaces peintes à l'aide d'un détergent à vaisselle, d'eau chaude et d'un chiffon doux ou d'une éponge et séchez-les à l'aide d'un chiffon sec.
- N'utilisez pas de grattoirs métalliques durs ni de produits de nettoyage abrasifs. Ils peuvent endommager les surfaces.
- Assurez-vous que les joints des composants de l'appareil ne sont pas laissés aussi humides et avec du détergent. Autrement, ces joints risquent de se corroder

Nettoyage des accessoires

Sauf indication contraire dans le manuel d'utilisation, ne lavez pas les accessoires du produit au lave-vaisselle.

Nettoyage du panneau de commande

- Lors du nettoyage des panneaux et du bouton de commande, essuyez le panneau et les boutons à l'aide d'un chiffon doux humide et séchez-les à l'aide d'un chiffon sec. Ne retirez pas les boutons et les joints en dessous pour nettoyer le panneau de commande. Le panneau de commande et les boutons peuvent être endommagés.

- Lors du nettoyage des panneaux en inox et du bouton de commande, n'utilisez pas d'agents de nettoyage pour inox autour des boutons. Les indicateurs situés autour des boutons peuvent être effacés.
- Nettoyez les panneaux de commande tactiles à l'aide d'un chiffon doux humide et séchez-les à l'aide d'un chiffon sec. Si votre appareil dispose d'une fonction de verrouillage des touches, réglez le verrouillage des touches avant d'effectuer le nettoyage du panneau de commande. Dans le cas contraire, une détection incorrecte peut se produire sur les touches.

Nettoyage de l'intérieur du four (zone de cuisson)

Suivez les étapes de nettoyage décrites dans la section « Informations générales sur le nettoyage » en fonction des types de surfaces de votre four.

Nettoyage des parois latérales du four

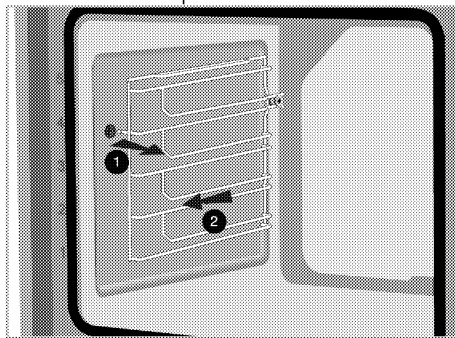
Les parois latérales de la zone de cuisson ne peuvent être recouvertes que par des parois émaillées ou catalytiques. Cela varie selon le modèle. S'il existe une paroi catalytique, reportez-vous à la section « Parois catalytiques » pour plus d'informations.

Si votre produit est un modèle à étagères grillagées, retirez les étagères grillagées avant de nettoyer vos parois latérales. Terminez ensuite le nettoyage tel que décrit dans la section « Informations générales sur le nettoyage » en fonction des types de surfaces de la paroi latérale.

Pour retirer les étagères métalliques latérales :

1. Retirez la partie avant de l'étagère métallique en la tirant sur la paroi latérale dans la direction opposée.

2. Tirez l'étagère grillagée vers vous pour l'enlever complètement.



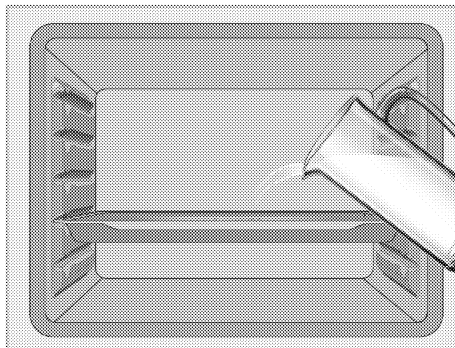
3. Pour insérer à nouveau les étagères, les procédures appliquées lors de leur retrait doivent être répétées de la fin au début, respectivement.

Nettoyage facile à la vapeur

Cela varie selon le modèle de l'appareil. Il se peut qu'il ne soit pas disponible pour votre appareil.

Il assure un nettoyage facile, car la saleté (n'ayant pas attendu trop longtemps) est ramollie par la vapeur qui se forme à l'intérieur du four et les gouttes d'eau se condensent sur les surfaces intérieures du four.

1. Retirez tous les accessoires à l'intérieur du four.
2. Versez 500 ml d'eau dans le plateau du four et placez-le sur la 2e grille du four.



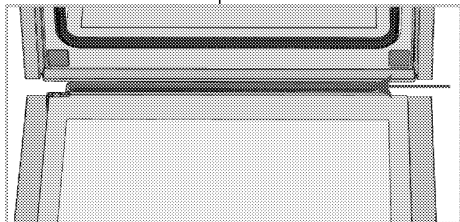
3. Réglez le four en mode de nettoyage facile à la vapeur et faites-le fonctionner à 100 °C pendant 15 minutes.

Ouvrez immédiatement la porte et essuyez les surfaces intérieures du four avec une éponge ou un chiffon humide. En ouvrant la porte, la vapeur s'échappe. Cela peut provoquer un risque de brûlure. Faites attention lorsque vous ouvrez la porte du four.

Utilisez de l'eau chaude avec du liquide de lavage, un chiffon doux ou une éponge pour nettoyer la saleté persistante et essuyez-la à l'aide d'un chiffon sec.

i Pendant le mode de nettoyage à la vapeur facile, l'eau qui se trouve dans la piscine à la base du four pour ramollir les résidus / saletés légèrement formés dans la cavité du four s'évapore et se condense dans la cavité du four et la vitre intérieure de la porte du four, par conséquent de l'eau peut couler lorsque la porte du four est ouverte. Essayez la condensation dès que la porte du four est ouverte.

Cela varie selon le modèle de l'appareil. Il se peut qu'il ne soit pas disponible pour votre appareil. Après la condensation dans le four, de l'eau ou de l'humidité peut se trouver dans le canal du réservoir sous le four. Après utilisation, nettoyez ce canal de piscine avec un chiffon humide puis séchez-le.



Nettoyage de la porte du four

i N'utilisez pas de produits de nettoyage abrasifs durs, de grattoirs métalliques, de fil de laine métallique ou de produits d'eau de Javel pour nettoyer la porte et le verre du four.

Vous pouvez retirer la porte de votre four et les vitres de la porte pour les nettoyer. La procédure de retrait des portes et des fenêtres est expliquée dans les sections « Retrait de la porte du four » et « Retrait des vitres intérieures de la porte ». Après avoir retiré les vitres intérieures de la porte, nettoyez-les à l'aide d'un détergent à vaisselle, d'eau chaude et d'un chiffon doux ou d'une éponge et séchez-les à l'aide d'un chiffon sec. Essuyez le verre avec du vinaigre. Rincez-le ensuite pour éliminer les résidus de calcaire qui peuvent se trouver sur la vitre du four.

Retrait de la porte du four

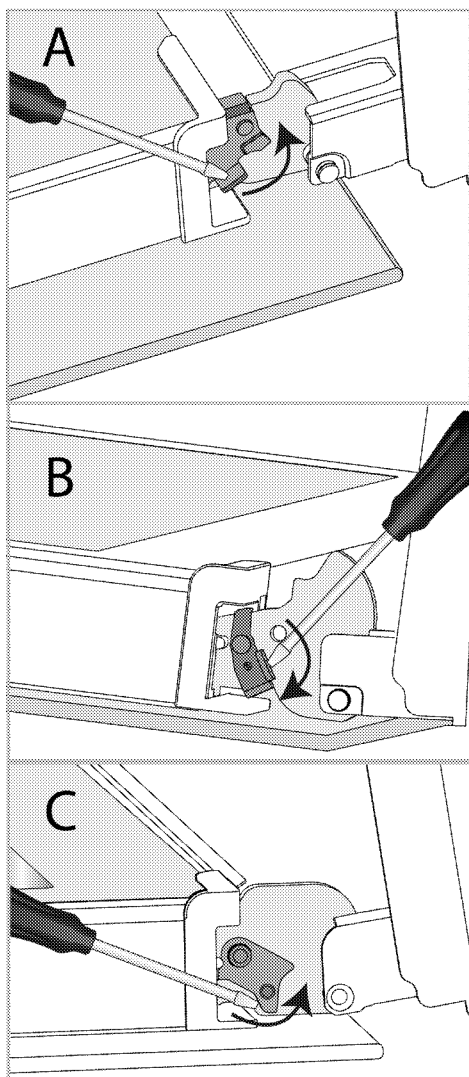
1. Ouvrez la porte du four.
2. Ouvrez les attaches du support de charnière de la porte avant à droite et à gauche en appuyant vers le bas comme illustré sur la figure.

Le type de charnière (A), (B), (C) varie en fonction du modèle de produit. Les figures ci-dessous montrent comment ouvrir tous les types de charnières.

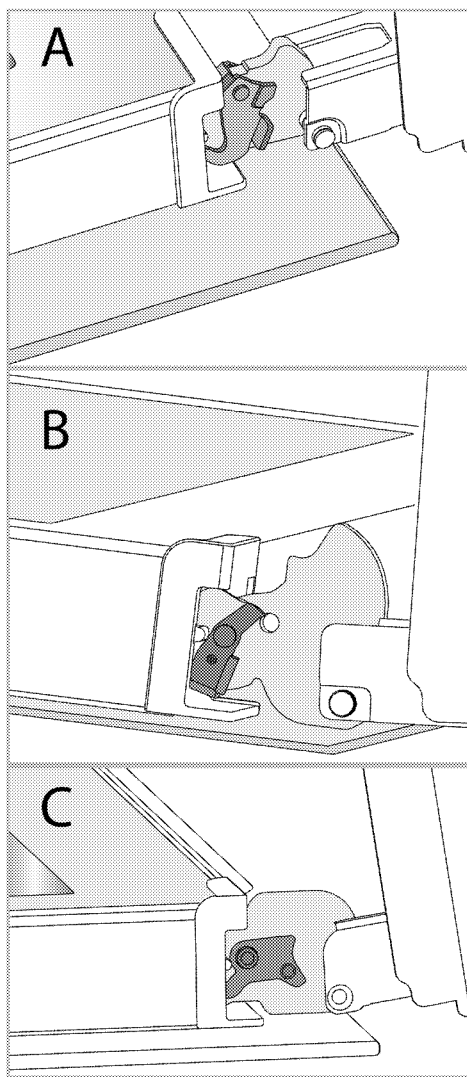
La charnière de type (A) est disponible dans les types de porte normaux.

La charnière de type (B) est disponible dans les types de portes à fermeture douce.

La charnière de type (C) est disponible dans les types de portes à ouverture / fermeture en douceur.

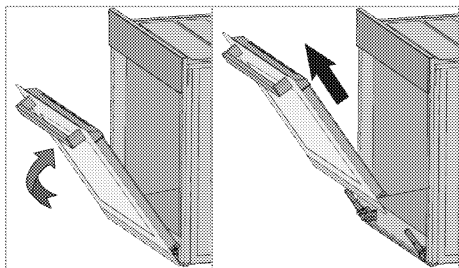


Verrouillage de charnière - position fermée



Verrouillage de charnière - position ouverte

3. Mettez la porte du four en position semi-ouverte.



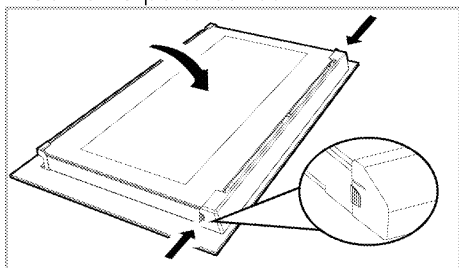
4. Tirez la porte ouverte vers le haut pour la dégager des charnières droite et gauche et retirez-la.

i Pour fixer à nouveau la porte, les procédures appliquées lors du retrait doivent être répétées de la fin au début, respectivement. Lors de l'installation de la porte, assurez-vous de fermer les attaches sur le support de charnière.

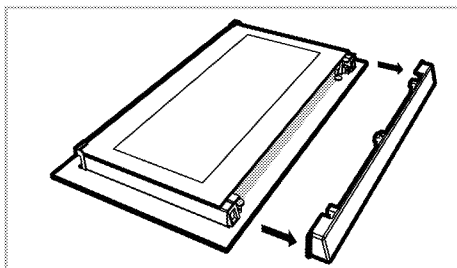
Retrait de la vitre intérieure de la porte du four

Vous pouvez retirer la vitre intérieure de la porte avant de l'appareil pour le nettoyage.

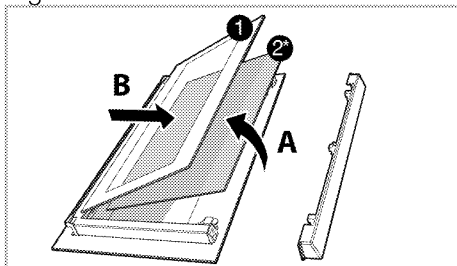
1. Ouvrez la porte du four.



2. Tirez vers vous le composant en plastique fixé sur la partie supérieure de la porte avant en appuyant simultanément sur les points de pression des deux côtés du composant et retirez-le.



3. Soulevez délicatement la vitre intérieure (1) vers « A » puis retirez-la en tirant vers « B » comme l'illustre la figure.



1 Panneau de la vitre la plus intérieure

2* Panneau de la vitre intérieure (Votre appareil peut ne pas en être équipé.)

4. Si votre appareil est doté d'une vitre intérieure (2), répétez la même procédure pour la retirer (2).

5. La première étape du montage de la porte consiste à insérer la vitre intérieure (2). Placez le bord biseauté de la vitre de manière à ce qu'il rejoigne le bord biseauté de la fente en plastique. (Si votre appareil comporte une vitre intérieure). La vitre intérieure (2) doit être fixée à la fente en plastique la plus proche de la vitre intérieure (1).

6. Lorsque vous remontez la vitre intérieure (1), veillez à placer le côté imprimé de la vitre sur la vitre intérieure. Il est essentiel de placer les coins inférieurs de la vitre (1) pour atteindre les fentes inférieures en plastique.

7. Poussez le composant en plastique vers le cadre jusqu'à ce que vous entendiez un « clic ».

Nettoyage de la lampe du four

Au cas où la porte en verre de la lampe du four de la zone de cuisson est sale, nettoyez-la à l'aide d'un détergent à vaisselle, d'eau chaude et d'un chiffon doux ou d'une éponge et séchez-la à l'aide d'un chiffon sec. En cas de panne de la lampe du four, vous pouvez la remplacer en suivant les étapes suivantes.

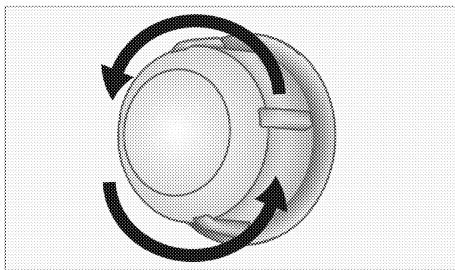
Remplacement de la lampe du four

⚠ Avertissements généraux

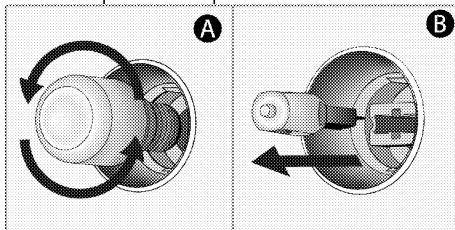
- Pour éviter tout risque de choc électrique avant de remplacer la lampe du four, débranchez le connecteur électrique et patientez que le four refroidisse. Les surfaces chaudes peuvent causer des brûlures !
- La lampe de four est une ampoule électrique spéciale résistant à 300 °C. Les lampes de four peuvent être obtenues auprès des services agréés.
- La position de la lampe peut différer de celle indiquée dans la figure.
- La lampe utilisée dans cet appareil n'est pas adaptée à l'éclairage des pièces de la maison. Cette lampe permet à l'utilisateur de voir les aliments.
- Les lampes utilisées dans cet appareil doivent résister à des conditions physiques extrêmes telles que des températures supérieures à 50 °C.

Si votre four est équipé d'une lampe ronde,

1. Débranchez l'appareil de la prise électrique.
2. Retirez le couvercle en verre en le tournant dans le sens antihoraire.



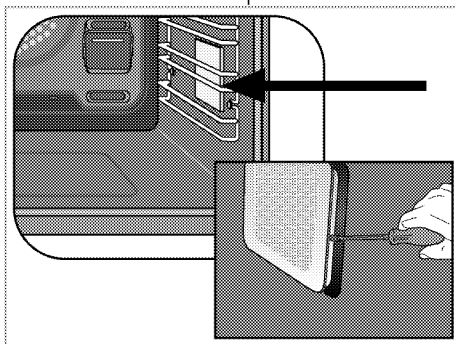
3. Si la lampe du four est de type (A) illustré dans la figure ci-dessous, tournez la lampe du four comme indiqué dans la figure et remplacez-la par une nouvelle. Si le type (B) est un modèle, retirez-la comme indiqué dans la figure et remplacez-la par une nouvelle.



4. Remettez le couvercle en verre.

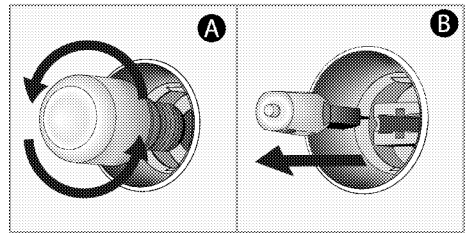
Si votre four est équipé d'une lampe carrée,

1. Débranchez l'appareil de la prise électrique.
2. Retirez les étagères grillagées conformément à la description.



3. Soulevez le couvercle de protection en verre de la lampe à l'aide d'un tournevis.

4. Si la lampe du four est de type (A) illustré dans la figure ci-dessous, tournez la lampe du four comme indiqué dans la figure et remplacez-la par une nouvelle. Si le type (B) est un modèle, retirez-la comme indiqué dans la figure et remplacez-la par une nouvelle.



5. Remettez le couvercle en verre et les étagères grillagées.

8 Dépannage

Si vous ne parvenez pas à résoudre la panne bien que vous ayez appliqué les instructions indiquées dans cette section, consultez l'agent ou le technicien de maintenance agréé ou le fournisseur auprès duquel vous avez acheté l'appareil. N'essayez jamais de réparer vous-même un appareil défectueux.

Le four émet de la vapeur lorsqu'il est utilisé.

- Il est normal que de la vapeur s'échappe pendant le fonctionnement. >>> *Ce n'est pas un défaut.*

Des gouttes d'eau se forment pendant la cuisson.

- La vapeur qui est émise pendant la cuisson peut se condenser et former des gouttelettes d'eau lorsqu'elle frappe les surfaces froides de l'appareil. >>> *Ce n'est pas un défaut.*

L'appareil émet des bruits métalliques lorsqu'il chauffe ou refroidit.

- Lorsque les pièces métalliques sont chauffées, elles peuvent se dilater et entraîner des bruits. >>> *Ce n'est pas un défaut.*

L'appareil ne fonctionne pas.

- Le fusible secteur est défectueux ou s'est déclenché. >>> *Vérifiez les fusibles qui se trouvent dans la boîte à fusibles. Remplacez-les ou réinitialisez-les si nécessaire.*
- La fiche de l'appareil n'est pas correctement insérée dans la prise (mise à la terre). >>> *Vérifiez la fiche de raccordement.*
- Les boutons / clés du panneau de commande ne fonctionnent pas. >>> *Si votre appareil est équipé d'une fonction de verrouillage des touches, le verrouillage des touches peut être activé. Veuillez le désactiver.*

Le voyant du four ne fonctionne pas.

- La lampe du four est défectueuse. >>> *Remplacez la lampe du four.*
- L'électricité est coupée >>> *Vérifiez s'il y a de l'électricité. Vérifiez les fusibles dans la boîte à fusibles. Remplacez ou réinitialisez les fusibles si nécessaire*

Le four ne chauffe pas

- Il n'est peut-être pas réglé sur une certaine fonction de cuisson et / ou à une certaine température. >>> *Réglez le four sur une certaine fonction de cuisson et / ou à une certaine température.*
- Pour les modèles équipés d'un minuteur, le minuteur n'est peut-être pas réglé. >>> *Réglez la durée.*
- L'électricité est coupée >>> *Vérifiez s'il y a de l'électricité. Vérifiez les fusibles dans la boîte à fusibles. Remplacez ou réinitialisez les fusibles si nécessaire*

(Dans les modèles avec minuteur) L'affichage de l'horloge clignote ou le symbole de l'horloge est allumé.

- Une précédente panne d'électricité s'est produite. >>> *Réglez la durée / Allumez l'appareil et remettez-le en marche.*



Vestavná trouba

Návod k použití



CZ

Vážený zákazníku,

Před použitím produktu si pozorně přečtěte tento návod k obsluze.

Beko děkuje, že jste si vybrali tento výrobek. Chceme, aby vám vaše zařízení, vyrobené s vysokou kvalitou a špičkovou technologií, poskytovalo nejlepší účinnost. Před použitím výrobku si pečlivě přečtěte tento návod a veškerou dodanou dokumentaci a uschovejte je jako referenci. Pokud výrobek předáte někomu jinému, poskytněte mu tento návod. Postupujte podle pokynů a věnujte pozornost všem informacím a výstrahám v návodu k obsluze.

Riďte se podle všech informací a varování v návodu k obsluze. Tím budete chránit sebe a svůj výrobek před nebezpečími, která mohou nastat.

Návod k obsluze si uschovejte. Pokud výrobek předáte někomu jinému, poskytněte mu tento návod.

Návod k obsluze obsahuje následující symboly:



Nebezpečí, které může mít za následek smrt nebo zranění.

POZNÁMKY Nebezpečí, které může mít za následek vážné poškození výrobku nebo jeho okolí.



Nebezpečí, které může způsobit popálení v důsledku kontaktu s horkými povrchy.



Důležité informace nebo užitečné tipy pro použití.



Návod k obsluze si přečtěte.



Arçelik A.Ş.
Karaağaç caddesi No:2-6
34445 Sütlüce/Istanbul/TURKEY
Made in TURKEY

1 Bezpečnostní pokyny 4

Účel použití..... 4
 Bezpečnost dětí, zranitelných osob a domácích zvířat 4
 Elektrická bezpečnost..... 5
 Bezpečnost při přepravě..... 7
 Bezpečnost instalace..... 7
 Bezpečnost použití..... 7
 Varování o teplotě 8
 Použití příslušenství 8
 Bezpečnost pečení..... 8
 Údržba a čištění 9

2 Pokyny týkající se životního prostředí 10

Nařízení o odpadech 10
 Dodržování směrnice WEEE a o likvidaci odpadů..... 10
 Likvidace obalových materiálů..... 10
 Doporučení pro úsporu energie 10

3 Váš výrobek 11

Představení výrobku 11
 Úvod do ovládacího panelu výrobku a jeho použití..... 12
 Ovládání trouby..... 12
 Provozní funkce trouby 13
 Příslušenství k výrobku..... 14
 Použití příslušenství výrobku..... 15

Technické specifikace..... 18

4 První použití 19

První čištění..... 19

5 Obsluha trouby 20

Obecné informace o používání trouby 20
 Ovládání řídicí jednotky trouby 20

6 Obecné informace o pečení 22







Obecná varování pro vaření v troubě..... 22
 Pečivo a jídlo do trouby..... 22
 Maso, ryba a drůbež..... 24
 Grilování..... 25
 Jídlo pro zkoušky..... 26

7 Údržba a péče 27

Všeobecné informace o čištění 27
 Čištění příslušenství 28
 Čištění ovládacího panelu..... 28
 Čištění vnitřní části trouby (oblast pečení) 28
 Snadné čištění párou..... 29
 Čištění dvířek trouby 30
 Vyjmutí vnitřních skel dvířek trouby..... 31
 Čištění světla trouby..... 32

8 Řešení problémů 34

1 Bezpečnostní pokyny

- Tato část obsahuje bezpečnostní pokyny, které vám pomohou předcházet jakýmkoli rizikům zranění osob nebo škod na majetku.
 - V případě převedení výrobku na jinou osobu nebo použití z druhé ruky je třeba spolu s výrobkem dodat návod k obsluze, produktové štítky, další příslušné dokumenty a příslušenství.
 - Naše společnost neodpovídá za žádné škody, které mohou vzniknout následkem nedodržení těchto pokynů.
 - Nedodržení těchto pokynů způsobí ztrátu jakékoli záruky.
 -  Instalační a servisní práce nechte vždy provést výrobcem, autorizovaným servisem nebo osobou, kterou určí dovozce.
 -  Používejte pouze originální náhradní díly a příslušenství.
 -  Nepokoušejte se opravit ani vyměnit žádnou část výrobku, pokud to není jasně uvedeno v návodu k obsluze.
 -  Na výrobku neprovádějte technické úpravy.
-  **Účel použití**
- Tento výrobek je určen pro domácí použití. Není vhodný pro komerční použití.
 - Nepoužívejte výrobek na zahradách, balkonech ani v jiných venkovních prostředích. Zařízení je určeno k použití v kuchyňských linkách pro domácnosti a zaměstnance v obchodech, kancelářích a dalších pracovních prostředích.
 - **VAROVÁNÍ:** Tento výrobek by se měl používat pouze pro účely vaření. Neměl by se používat pro jiné účely, například pro vytápění místnosti.
 - Troubu lze použít k rozmrazování, pečení, smažení a grilování potravin.
 - Tento výrobek by se neměl používat pro vytápění, zahřívání talířů, věšení ručníků nebo oblečení na držadle za účelem sušení.
-  **Bezpečnost dětí, zranitelných osob a domácích zvířat**
- Děti ve věku 8 let a starší, a lidé, kteří mají snížené fyzické,

smyslové nebo mentální dovednosti nebo mají nedostatek zkušeností a znalostí, mohou tento výrobek používat pouze tehdy, když jsou pod dohledem nebo vyškoleni pro bezpečné používání a rizika výrobku.

- Děti by si s výrobkem neměly hrát. Čištění a uživatelskou údržbu by neměly provádět děti, pokud nejsou pod dohledem.
- Tento výrobek by neměli používat lidé s omezenou fyzickou, smyslovou nebo mentální schopností (včetně dětí), pokud nejsou stále pod dohledem nebo pokud nedostanou potřebné pokyny.
- Děti by měly být pod dohledem, aby se zajistilo, že si s výrobkem nebudou hrát.
- Elektrické výrobky jsou nebezpečné pro děti a domácí zvířata. Děti a domácí zvířata si s výrobkem nesmějí hrát, lézt na výrobek ani dovnitř.
- Nepokládejte na výrobek předměty, na které by děti mohly dosáhnout.
- **VAROVÁNÍ:** Během používání jsou přístupné

povrchy výrobku horké.

Udržujte děti dále od výrobku.

- Obalové materiály uchovávejte mimo dosah dětí. Hrozí nebezpečí zranění a udušení.
- Když jsou dvířka otevřená, nepokládejte na ně žádné těžké předměty ani nedovolte dětem, aby si na ně sedaly. Mohlo by to způsobit převrácení trouby nebo poškození závěsů dvířek.
- Z důvodu bezpečnosti dětí před likvidací výrobku odpojte napájecí zástrčku a vyřadte výrobek z provozu.



Elektrická bezpečnost

- Připojte výrobek k uzemněné zásuvce chráněné pojistkou, která odpovídá aktuálním hodnotám uvedeným na typovém štítku. Instalaci uzemnění nechte provést kvalifikovaným elektrikářem. Nepoužívejte výrobek bez uzemnění v souladu s místními / vnitrostátními předpisy.
- Zástrčka nebo elektrické připojení výrobku by mělo být na snadno přístupném místě (kde nebude ovlivněno plamenem kamen). Pokud to

není možné, měl by být na elektrické instalaci, ke které je produkt připojen, k dispozici mechanismus (pojistka, spínač, vypínač atd.) v souladu s elektrickými předpisy, oddělující všechny póly od sítě.

- Během instalace, opravy a přepravy nesmí být produkt zapojen do zásuvky.
- Nezapojujte výrobek do zásuvky, která je volná, dostala se ven ze své zdířky, je rozbitá, špinavá, mastná, v nebezpečí kontaktu s vodou (například voda, která může vytéct z přepážky).
- Nikdy se nedotýkejte zástrčky mokřýma rukama! Při odpojování nedržte kabel, vždy držte zástrčku.
- Ujistěte se, že zástrčka výrobku je bezpečně zapojena do zásuvky, aby se zabránilo vzniku elektrického oblouku.
- Zapojte výrobek do zásuvky, která splňuje hodnoty napětí a frekvence uvedené na typovém štítku.
- Napájecí kabel nemačkejte pod výrobek a za výrobkem. Na napájecí kabel nepokládejte těžké předměty.

Napájecí kabel by se neměl ohýbat, mačkat, a nesmí přijít do kontaktu s žádným zdrojem tepla.

- Když je trouba v provozu, její zadní povrch se také zahřívá. Napájecí kabely se nesmí dotýkat zadního povrchu, mohlo by se poškodit připojení.
- Elektrické kabely nedávejte do dvířek trouby a nevedte je přes horké povrchy. Roztavení kabelu by mohlo způsobit zkrat trouby a vzplanutí ohně.
- Používejte pouze originální kabel. Nepoužívejte proříznuté nebo poškozené kabely ani prodlužovací kabely.
- Pokud je napájecí kabel poškozen, musí jej vyměnit výrobce, autorizovaný servis nebo osoba, kterou určí dovozce, aby se předešlo možným nebezpečím.
- **VAROVÁNÍ:** Před výměnou světla trouby se ujistěte, že jste produkt odpojili od sítě, aby nedošlo k úrazu elektrickým proudem. Odpojte výrobek nebo vypněte pojistku v pojistkové skříňce.

Bezpečnost při přepravě

- Před přepravou výrobku odpojte výrobek ze sítě.
- Výrobek je těžký, jeho přepravu musí provádět nejméně dva lidé.
- K přepravě nebo přemísťování výrobku nepoužívejte dvířka ani rukojeť.
- Nedávejte na výrobek jiné předměty a přenášejte jej ve svislé poloze.
- Pokud potřebujete výrobek přepravit, zabalte jej do balicího materiálu s bublinkovou fólií nebo silnou lepenku a pevně ji přilepte. Výrobek pevně zajistěte páskou, aby se zabránilo poškození výrobku a jeho odnímatelných nebo pohyblivých částí.
- Zkontrolujte celkový vzhled výrobku, zda během přepravy nedošlo k poškození.

Bezpečnost instalace

- Před instalací výrobek zkontrolujte, zda není poškozený. Pokud je výrobek poškozen, neinstalujte jej.

- Neinstalujte výrobek v blízkosti zdrojů tepla (radiátory, kamna atd.).
- Udržujte všechny ventilační kanály kolem výrobku otevřené.
- Aby nedošlo k přehřátí, neměl by se výrobek instalovat za dekorativní dveře.

Bezpečnost použití

- Po každém použití se ujistěte, že výrobek je vypnutý.
- Pokud výrobek delší dobu nepoužíváte, odpojte jej nebo vypněte pojistku v pojistkové skříňce.
- Vadný nebo poškozený výrobek nepoužívejte. Odpojte elektrická / plynová připojení výrobku, pokud jsou k dispozici, a zavolejte autorizovaný servis.
- Nepoužívejte výrobek s odstraněným nebo rozbitým sklem předních dvířek.
- Nelezte na výrobek, abyste na něco dosáhli, ani z jiného důvodu.
- Nepoužívejte výrobek v situacích, které mohou ovlivnit váš úsudek, jako například po užití drog nebo alkoholu.

- Hořlavé předměty uchovávané v oblasti pečení se mohou vznítit. Nikdy neskladujte v oblasti pečení hořlavé předměty.
- Rukojeť trouby není sušička ručníků. Při používání výrobku nezavěšujte ručníky, rukavice ani podobné textilie.
- Závěsy dvířek výrobku se při otevírání a zavírání dvířek pohybují a utahují. Při otevírání / zavírání dvířek nedržte dvířka za závěsy.



Varování o teplotě

- **VAROVÁNÍ:** Během provozu výrobku budou exponované části horké. Nedotýkejte se výrobku a ohřívacích prvků. Děti mladší 8 let by se neměly přibližovat k výrobku bez dospělé osoby.
- Neumisťujte do blízkosti výrobku hořlavé / výbušné materiály, protože okraje budou během provozu horké.
- Při otevírání dvířek trouby se držte dále, aby nedošlo ke vdechnutí páry. Pára vám může popálit ruku, obličej a / nebo oči.
- Během používání může být výrobek horký. Nedotýkejte se horkých přihrádek,

vnitřních částí trouby, ohřívacích prvků atd.

- Při ukládání potravin do horké trouby, při vyjímání potravin atd. vždy používejte rukavice odolné vůči teplotě.



Použití příslušenství

- Je důležité, aby rošť a mísa byly správně umístěny na drátěných policích. Podrobné informace najdete v části „Použití příslušenství“.
- Příslušenství může poškodit sklo dvířek při zavírání dvířek výrobku. Příslušenství zatlačte vždy na konec varného prostoru.



Bezpečnost pečení

- Při užívání alkoholu v jídle dbejte na opatrnost. Alkohol se při vysokých teplotách odpařuje, a při vystavení horkým povrchům se může vznítit a způsobit požár.
- Odpad z potravin, olej atd. na varné ploše může vzplanout. Před pečením takové hrubé nečistoty odstraňte.
- Nebezpečí otravy jídlem: Neskladujte jídlo v troubě déle než hodinu před a po vaření. Jinak může nastat

- otrava jídlem nebo můžete onemocnět.
- Nezahřívejte uzavřené plechovky a skleněné nádoby. Zvýšený tlak může způsobit prasknutí nádoby.
 - Vložte do nádobí nebo na příslušenství pro troubu s jídlem (mísa, rošt, atd.) nepromastitelný papír a vložte nádobí do předehřáté trouby. Odstraňte nadbytečné kousky nepromastitelného papíru přesahující z příslušenství nebo nádoby, aby se zamezilo riziku doteku ohřívacích prvků trouby. Nikdy nepoužívejte nepromastitelný papír při teplotě vyšší než maximální povolená teplota použití uvedená na používaném nepromastitelného papíru. Nikdy neumísťujte nepromastitelný papír na základnu trouby.
 - Nepokládejte pekáče, talíře ani hliníkovou fólii přímo na dno trouby. Nahromaděné teplo může poškodit dno trouby.
 - Během grilování zavřete dvířka trouby. Horké povrchy mohou způsobit popáleniny!

- Potraviny nevhodné pro grilování vyvolávají nebezpečí požáru. Grilujte pouze jídlo, které je vhodné pro grilovací oheň. Jídlo také nedávejte příliš daleko do zadní části grilu. Je to nejvíce horká oblast a mastná jídla se mohou vznítit.



Údržba a čištění

- Před vyčištěním produktu vyčkejte, dokud produkt vychladne. Horké povrchy mohou způsobit popáleniny!
- Nikdy nemyjte výrobek stříkáním nebo poléváním vodou na něj! Hrozí nebezpečí úrazu elektrickým proudem!
- Výrobek nečistěte parními čističi, protože by to mohlo způsobit úraz elektrickým proudem.
- K čištění skla předních dveří trouby / (pokud takové jsou) skla horních dveří trouby nepoužívejte drsné abrazivní čisticí prostředky, kovové škrabky, drátěnou vlnu nebo bělicí materiály. Tyto materiály mohou způsobit poškrábání a rozbití skleněných povrchů.

2 Pokyny týkající se životního prostředí

Nařízení o odpadech Dodržování směrnice WEEE a o likvidaci odpadů



Tento produkt splňuje směrnici EU WEEE (2012/19/EU). Tento výrobek nese symbol pro třídění, platný pro elektrický a elektronický odpad (WEEE).

Tento produkt byl vyroben z vysoce kvalitních součástí a materiálů, které lze znovu použít a které jsou vhodné pro recyklaci. Produkt na konci životnosti nevyhazujte do běžného domácího odpadu. Odveďte ho do sběrného místa pro recyklaci elektrických a elektronických zařízení. Informace o těchto sběrných místech získáte na místních úřadech.

Správná likvidace použitého zařízení pomáhá předcházet možným negativním dopadům na životní prostředí a lidské zdraví.

Dodržování směrnice RoHS:

Produkt, který jste zakoupili splňuje směrnici EU RoHS (2011/65/EU). Neobsahuje žádné škodlivé ani zakázané materiály, které jsou směrnici zakázané.

Likvidace obalových materiálů

- Obalové materiály jsou nebezpečné pro děti. Obalové materiály uschovejte

na bezpečném místě mimo dosah dětí. Obalové materiály výrobku jsou vyrobeny z recyklovatelných materiálů. Zlikvidujte je správně a třídte je v souladu s pokyny pro likvidaci recyklovaného odpadu. Nelikvidujte je s běžným domácím odpadem.

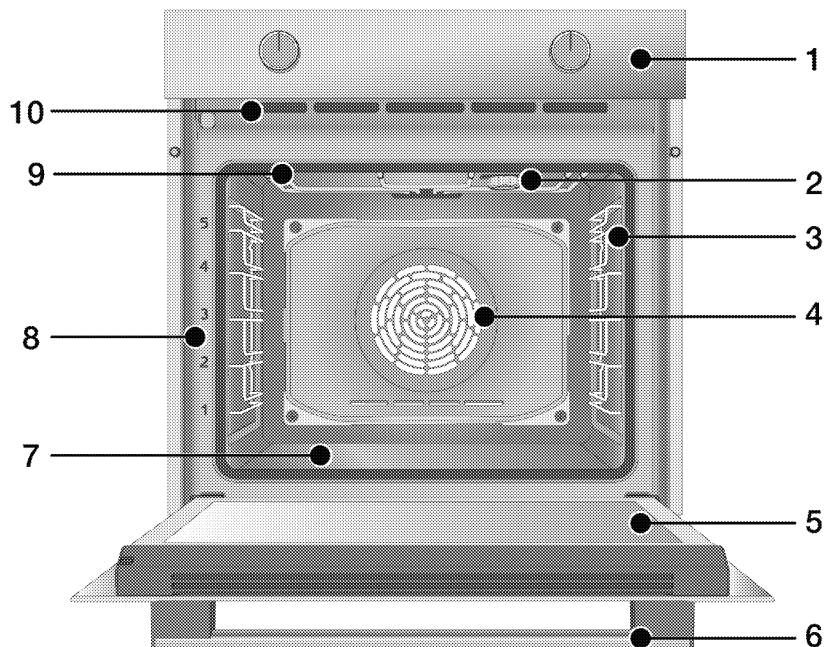
Doporučení pro úsporu energie

Následující doporučení vám pomohou používat váš výrobek ekologicky a energeticky účinně:

- Zmrazené jídlo před vařením rozmrazte.
- V troubě používejte tmavé nebo smaltované nádoby, které lépe přenášejí teplo.
- Vypněte výrobek 5 až 10 minut před koncem doby vaření, aby se vaření prodloužilo. Nyní můžete pomocí tepla ušetřit až 20 % elektřiny.
- Pokud je to uvedeno v receptu nebo v uživatelské příručce, potraviny vždy předehejte. Během vaření neotevírejte dvířka trouby často.
- Zkuste v troubě vařit více než jedno jídlo najednou. Můžete jídla vařit současně umístěním dvou varných nádob na drátěný rošt. Kromě toho, pokud vaříte jídla jedno po druhém, ušetří to energii, protože trouba neztrácí své teplo.

3 Váš výrobek

Představení výrobku



- 1 Ovládací panel
- 2 Svítidlo*
- 3 Drátěné police**
- 4 Motor ventilátoru (za ocelovým plechem)
- 5 Dveře
- 6 Rukojeť
- 7 Spodní ohřívač (spodní ocelový plech)
- 8 Poloha police
- 9 Horní ohřívač

10 Ventiláční otvory

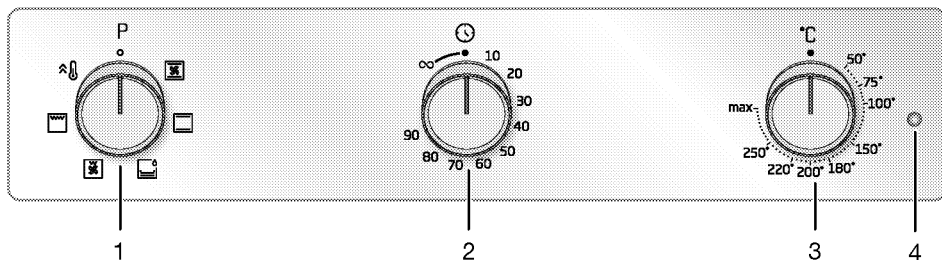
* V závislosti na modelu Váš produkt nemusí disponovat lampou nebo se typ a umístění lampy může lišit od ilustrace.

** V závislosti na modelu Váš výrobek může být bez drátěných polic. Na obrázku jsou drátěné police zobrazeny jako příklady.

Úvod do ovládacího panelu výrobku a jeho použití

V této části najdete přehled a základní použití ovládacího panelu výrobku. V závislosti na typu výrobku se mohou obrázky a některé funkce lišit.

Ovládání trouby



- 1 Knoflík volby funkcí
- 2 Knoflík časovače (Záleží na modelu. Časovač vašeho produktu může být 100 nebo 90 minut.)
- 3 Knoflík teploty
- 4 Termostatická lampička

Pokud se váš výrobek ovládá pomocí ovládacích knoflíků, mohou být tyto knoflíky zapuštěny do panelu, ze kterého se u některých modelů po stisknutí vysouvají. Chcete-li pomocí těchto ovládacích knoflíků provést nastavení, nejprve zatlačte příslušný ovládací knoflík dovnitř a ten se pak vysune ven. Po provedení nastavení znovu zatlačte na ovládací knoflík a ten se vrátí do původní polohy.

Knoflík volby funkcí

Pomocí ovládacího knoflíku pro výběr provozní funkce můžete vybírat provozní funkce trouby. Výběr se provádí otáčením kolečka doleva/doprava z vypnuté (horní) polohy.

Knoflík teploty

Pomocí ovládacího knoflíku pro teplotu vyberte teplotu, při které chcete péct.

Výběr se provádí otáčením ovládacího knoflíku ve směru hodinových ručiček z vypnuté (horní) polohy.

Ukazatel teploty

Z kontrolky teploty poznáte, jaká je teplota uvnitř trouby. Ukazatel teploty je umístěn na ovládacím panelu. Kontrolka teploty se rozsvítí při spuštění výrobku a zhasne, jakmile teplota uvnitř trouby dosáhne nastavené teploty. Jakmile teplota uvnitř trouby klesne pod nastavenou teplotu, kontrolka teploty se znovu rozsvítí.








Časovač

Péct můžete nastavením určité doby pečení ovládacím knoflíkem časovače. Pokud otočíte ovládacím knoflíkem na symbol ∞, můžete péct ručně (pod vaší kontrolou).

Ukazatel	Popis
10–100	Nastavitelná doba pečení
∞	Symbol ručního pečení

Provozní funkce trouby

V tabulce funkcí jsou uvedeny provozní funkce, které můžete v troubě použít, a nejvyšší a nejnižší teploty, které lze pro tyto funkce nastavit. Pořadí zde uvedených provozních režimů se může lišit od uspořádání vašeho výrobku.

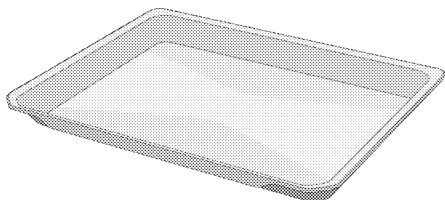
Symbol funkce	Popis funkce	Teplotní rozsah (°C)	Popis a použití
	Horní a spodní ohřev	*	Jídlo se zahřívá shora a zespodu současně. Vhodné pro koláče a dušené maso v pekařských formách nebo koláče a pečivo. Pečení se provádí pomocí jediné mísy.
	Spodní ohřev	*	Zapnutý je pouze spodní ohřev. Vhodné pro potraviny, které vyžadují zhnědnutí na spodní straně.
			Tato funkce by se měla používat také pro snadné čištění párou.
	Spodní/horní ohřev s pomocí ventilátoru	*	Horký vzduch ohřátý horním a dolním ohřívacem se rovnoměrně a rychle rozvádí po celé troubě pomocí ventilátoru. Pečení se provádí pomocí jediné mísy.
	Úplný gril	*	Velký gril na stropě trouby pracuje. Vhodné pro grilování ve velkém množství.
	Částečný gril s pomocí ventilátoru	*	Horký vzduch ohřátý malým grilem se rychle rozvádí po celé troubě pomocí ventilátoru. Vhodné pro grilování menších množství.
	Rychlý ohřev	-	Všechny ohřívачe v troubě pracují. Tato provozní funkce slouží k rychlému uvedení trouby na požadovanou teplotu (předehřev). Nepoužívejte k pečení potravin.

* Váš výrobek pracuje v teplotním rozsahu specifikovaném na knoflíku řízení teploty.

Příslušenství k výrobku

Ve vašem výrobku je různé příslušenství. V této části je uveden popis příslušenství a popis jeho správného použití. Dodávané příslušenství se liší v závislosti na modelu výrobku. Ve vašem výrobku nemusí být dostupné veškeré příslušenství popsané v uživatelské příručce.

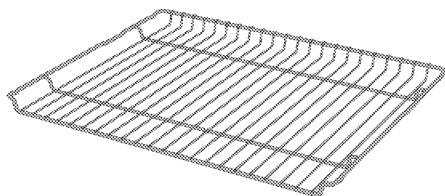
POZNÁMKY : Mísy ve vašem výrobku se mohou vlivem teploty zdeformovat. To nemá žádný vliv na funkci. Deformace zmizí, když mísa vychladne.



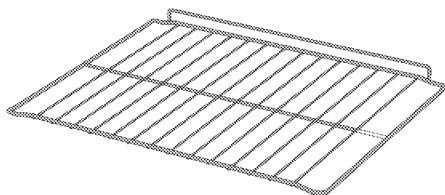
Standardní plech

Používá se pro pečivo, mražená jídla a smažení velkých kusů.

Modely s drátěnými policemi:



Modely bez drátěných polic:



Drátěný gril

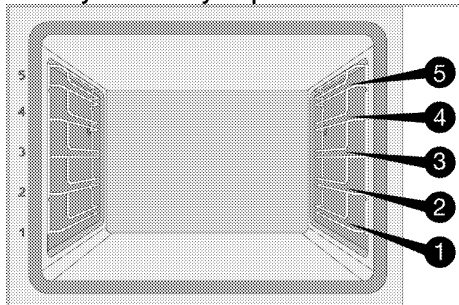
Používá se pro smažení nebo umístění jídla, které se má péct, smažit a dusit, na požadované polici.

Použití příslušenství výrobku

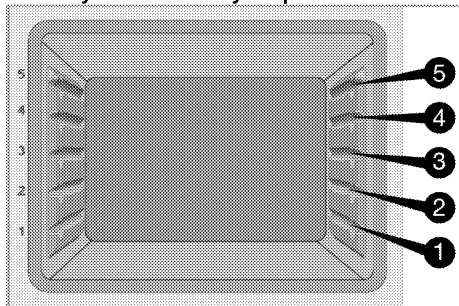
Varné police

V oblasti vaření je 5 úrovní polohy polic. Pořadí polic můžete vidět také v číslech na předním rámu trouby.

Modely s drátěnými policemi



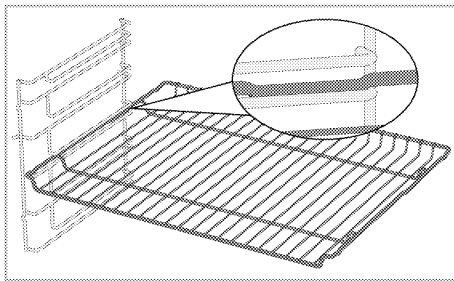
Modely bez drátěných polic



Umístění roštu na varné police

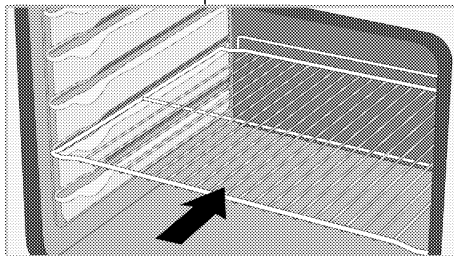
Modely s drátěnými policemi:

Je velmi důležité správně umístit rošt na boční police pro rošt. Při umísťování roštu na požadovanou polici musí být otevřená část na přední straně. Pro lepší vaření musí být rošt zajištěn na polici pro rošt zarážkou. Nesmí projít přes zarážku a přijít do kontaktu se zadní stěnou trouby.



Modely bez drátěných polic:

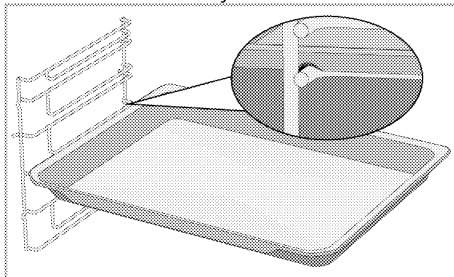
Je velmi důležité správně umístit rošt na boční police. Rošt má při umísťování na polici jeden směr. Při umísťování roštu na požadovanou polici musí být otevřená část na přední straně.



Umístění mísy na varné police

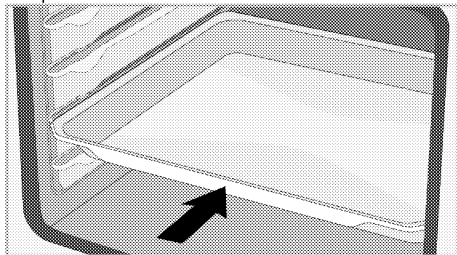
Modely s drátěnými policemi:

Je také velmi důležité správně umístit mísy na bočních policích pro rošt. Při umísťování mísy na požadovanou polici musí být její strana určená k přidržování na přední straně. Pro lepší vaření musí být mísa na polici pro rošt zajištěna zarážkou. Nesmí projít přes zarážku a přijít do kontaktu se zadní stěnou trouby.



Modely bez drátěných polic:

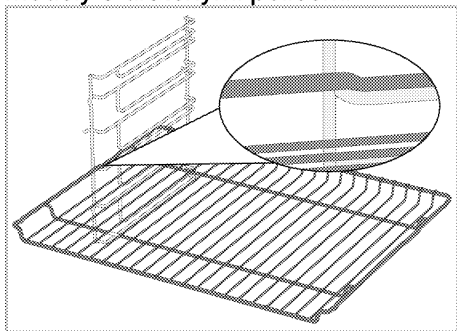
Je také velmi důležité správně umístit mýsu na bočních policích. Mísa má při umístění na polici jeden směr. Při umísťování mísy na požadovanou polici musí být její strana určená k přidržování na přední straně.



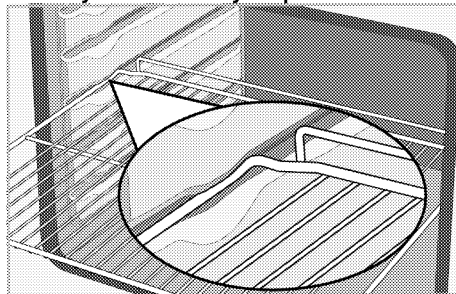
Funkce zarážky roštu

K dispozici je funkce zarážky, která zabraňuje vyklopení roštu z police pro rošt. Díky této funkci můžete vyjmout své jídlo snadno a bezpečně. Při odstraňování roštu jej můžete vytáhnout dopředu, až dosáhne zarážky. Musíte ji přesunout přes zarážku, abyste jej mohli zcela vyjmout.

Modely s drátěnými policemi

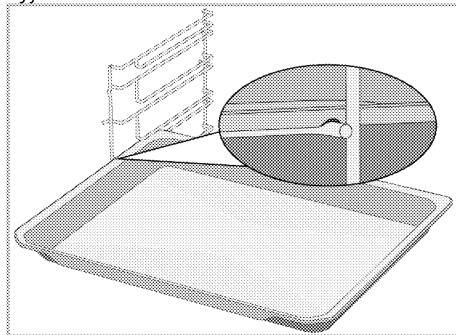


Modely bez drátěných polic



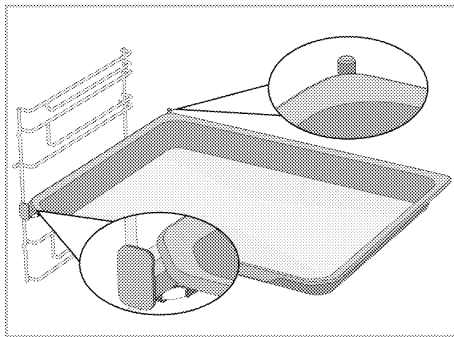
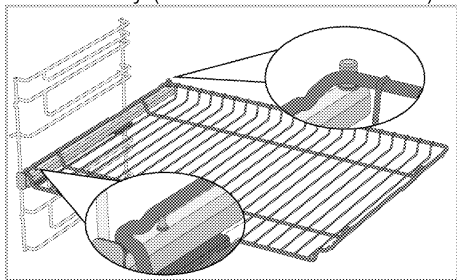
Funkce zarážky mísy pro rošt – Modely s drátěnými policemi

K dispozici je také funkce zarážky, která zabraňuje vyklopení mísy z roštu. Při vyjímání mísy ji uvolněte ze zadního zámku a táhněte směrem k sobě, dokud nedosáhne zarážky. Musíte ji přesunout přes zarážku, abyste ji mohli zcela vyjmout.



Správné umístění roštu a mísy na teleskopických lištách -Modely s drátěnými policemi a teleskopickými lištami

Díky teleskopickým lištám můžete snadno instalovat a vyjímat mísy nebo rošt. Při používání mís a roštů s teleskopickou lištou je třeba dbát na to, aby kolíky na přední a zadní straně teleskopických lišt spočívaly na okrajích roštu a mísy (znázorněno na obrázku).






Technické specifikace

Všeobecné specifikace

Vnější rozměry výrobku (výška / šířka / hloubka)	595 mm/594 mm/567 mm
Instalační rozměry trouby (výška / šířka / hloubka)	590 nebo 600 mm/560 mm/min. 550 mm
Napětí / frekvence	220-240 V ~ 50 Hz
Typ a průřez kabelu použitý / vhodný pro použití ve výrobku	min. H05VV-FG 3 x 1,5 mm ²
Celková spotřeba energie	2.4 kW
Typ trouby	Trouba s ventilátorem

Základy: Informace na energetickém štítku elektrických trub jsou uvedeny v souladu s normou EN 60350-1 / IEC 60350-1. Tyto hodnoty se určují při standardním zatížení pomocí funkce dolního - horního ohřevače nebo funkce ohřevu s pomocí ventilátoru (pokud jsou k dispozici).
Třída energetické účinnosti je stanovena v souladu s následujícím řazením v závislosti na tom, zda jsou příslušné funkce na výrobku k dispozici: 1- Ekonomický ohřev ventilátorem, 2-Ohřev ventilátorem 3- Částečný gril s pomocí ventilátoru, 4-Horní a spodní ohřev.

-  Technické specifikace se mohou změnit za účelem zlepšení kvality výrobku bez předchozího upozornění.
-  Obrázky v této příručce jsou schematické a nemusí přesně odpovídat vašemu výrobku.
-  Hodnoty uvedené na štítcích výrobku nebo v průvodní dokumentaci byly získány v laboratorních podmínkách v souladu s příslušnými normami. Tyto hodnoty se mohou lišit v závislosti na provozních podmínkách výrobku a podmínkách prostředí.

4 První použití

Než začnete svůj výrobek používat, doporučujeme provést následující kroky v následujících částech.

První čištění

1. Odstraňte všechny obalové materiály.
2. Vyměňte z trouby veškeré příslušenství dodávané s výrobkem.
3. Zapněte výrobek na 30 minut a poté jej vypněte. Tímto způsobem se spálí a vyčistí zbytky a vrstvy, které mohly zůstat v troubě během výroby.
4. Při práci s výrobkem vyberte nejvyšší teplotu a provozní funkci, kterou mají všechny ohřívače ve vašem výrobku. Viz „Provozní funkce trouby“. V následující části se dozvíte, jak troubu ovládat.
5. Počkejte, až trouba vychladne.
6. Otřete povrchy výrobku vlhkým hadříkem nebo houbou a osušte hadříkem.

Před použitím příslušenství;

Příslušenství, které vyjmete z trouby, očistěte vodou s čisticím prostředkem a jemnou mycí houbou.

POZNÁMKY Povrch se může poškodit vlivem některých saponátů nebo čisticích materiálů. Nepoužívejte agresivní saponáty, čisticí prášek/mléko ani ostré předměty při čištění.

POZNÁMKY Při prvním použití se může na pár hodin uvolňovat kouř a zápach. To je normální. Zkontrolujte, zda je místnost řádně odvětrána, abyste odstranili kouř i zápach. Vyhněte se přímému vdechování kouře a zápachu.

5 Obsluha trouby

Obecné informace o používání trouby

Chladicí ventilátor (Ve vašem produktu nemusí být přítomen.)

Váš výrobek má chladicí ventilátor.

Chladicí ventilátor se v případě potřeby aktivuje automaticky, a ochlazuje jak přední stranu výrobku, tak zařízení. Po ukončení procesu chlazení se automaticky deaktivuje. Nad dvířky trouby vychází horký vzduch.

Nezakrývejte ničím tyto větrací otvory.

Jinak se trouba může přehřát.

Chladicí ventilátor pokračuje v činnosti během provozu trouby nebo po vypnutí trouby (přibližně 20–30 minut). Pokud vaříte naprogramováním časovače trouby, na konci doby vaření se ventilátor chlazení vypne se všemi funkcemi. Dobu běhu chladicího ventilátoru nemůže uživatel určit. Zapíná se a vypíná automaticky. To není chyba.

Osvětlení trouby

Když trouba začne vařit, světlo trouby se rozsvítí. U některých modelů je světlo během vaření zapnuté, zatímco u některých modelů po určité době zhasne.

Ovládání řídicí jednotky trouby

Zapnutí trouby

Když pomocí ovládacího knoflíku pro výběr provozní funkce trouby vyberete funkci, pomocí které chcete péct, a nastavíte pomocí ovládacího knoflíku pro teplotu potřebnou teplotu, trouba začne pracovat. Provoz trouby zahájíte otočením ovládacího knoflíku časovače na konkrétní čas pečení nebo na symbol ∞.

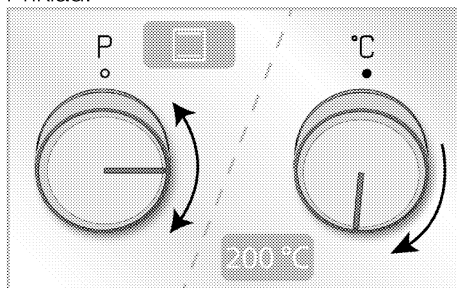
Vypnutí trouby

Troubu vypnete otočením ovládacího knoflíku pro výběr funkce, ovládacího knoflíku pro teplotu a ovládacího knoflíku časovače do polohy vypnuto (nahoru).

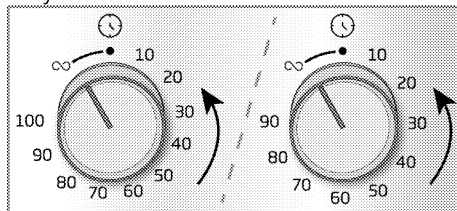
Volba teploty a provozní funkce trouby při ručním pečení

Péči můžete pomocí ručního ovládání (pod vaší kontrolou) bez nastavení doby pečení výběrem teploty a provozní funkce vhodné pro vaše jídlo.

Příklad:



1. Pomocí ovládacího knoflíku pro výběr provozní funkce trouby vyberte funkci, pomocí které chcete péct.
2. Pomocí ovládacího knoflíku pro teplotu nastavte teplotu, při které chcete péct.
3. Otočte ovládací knoflík časovače na symbol ∞.



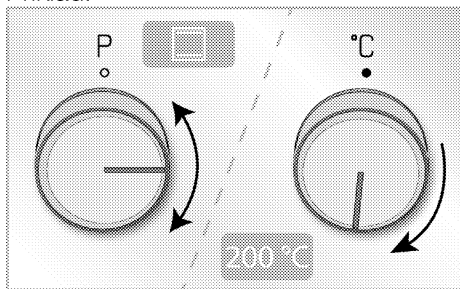
» Vaše trouba začne okamžitě pracovat s vybranou funkcí a teplotou a rozsvítí se kontrolka teploty. Jakmile teplota uvnitř trouby dosáhne nastavené teploty, kontrolka teploty zhasne. Trouba se po zahájení pečení automaticky nevypne. Pečení musíte ovládat sami a troubu

vypnout. Když je pečení hotovo, troubu vypnete otočením ovládacího knoflíku pro výběr funkce, ovládacího knoflíku pro teplotu a ovládacího knoflíku časovače do polohy vypnuto (nahoru).

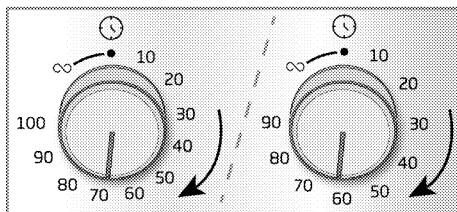
Pečení s nastavením doby pečení:

Troubu můžete nechat automaticky vypnout na konci doby pečení výběrem teploty a provozní funkce vhodné pro vaše jídlo a nastavením doby pečení na časovači.

Příklad:



1. Pomocí ovládacího knoflíku pro výběr provozní funkce trouby vyberte funkci, pomocí které chcete péct.
2. Pomocí ovládacího knoflíku pro teplotu nastavte teplotu, při které chcete péct.
3. Otočte ovládací knoflík časovače na dobu, po kterou chcete péct.



» Vaše trouba začne okamžitě pracovat s vybranou funkcí a teplotou a rozsvítí se kontrolka teploty. Jakmile teplota uvnitř trouby dosáhne nastavené teploty, kontrolka teploty zhasne.

4. Po uplynutí doby pečení se ovládací knoflík časovače automaticky otočí proti směru hodinových ručiček. Zazní varovný zvuk a trouba přestane péct.
5. Když je pečení hotovo, troubu vypnete otočením ovládacího knoflíku pro výběr funkce a ovládacího knoflíku pro teplotu do polohy vypnuto (nahoru). Pokud chcete pokračovat, otočte ovládací knoflík časovače zpět na potřebnou dobu pečení. Trouba pokračuje v provozu při nastavené funkci a teplotě.

Chcete-li vypnout pečení dříve, než uběhne nastavená doba:

1. Otáčejte ovládacím knoflíkem časovače proti směru hodinových ručiček, dokud nedosáhne polohy vypnuto (nahoru).
2. Troubu vypnete otočením ovládacího knoflíku pro výběr funkce a ovládacího knoflíku pro teplotu do polohy vypnuto (nahoru).

6 Obecné informace o pečení

Tato část popisuje typy na přípravu a pečení jídla.

Kromě toho můžete najít také některé potraviny testované výrobci a nejhodnější nastavení pro tyto potraviny. Je také uvedeno vhodné nastavení trouby a příslušenství pro tato jídla.

Obecná varování pro vaření v troubě

- Při otevírání dvířek trouby během vaření nebo po něm se může objevit horká pára. Pára vám může popálit ruku, obličej a / nebo oči. Při otevírání dvířek trouby se držte dále.
- Intenzivní pára, která se vytváří během vaření může v důsledku teplotních rozdílů způsobit kondenzaci vodních kapek na vnitřní a vnější straně trouby a na horních částech zařízení. Toto je normální a fyzický jev.
- Hodnoty teploty vaření a času uvedené pro potraviny se mohou lišit v závislosti na receptu a množství. Proto důvodu jsou tyto hodnoty uvedeny jako rozsahy.
- Před zahájením vaření vždy z trouby vyjměte příslušenství, které nepoužijete. Příslušenství, které zůstane v troubě, může zamezit vaření vašeho jídla na správných hodnotách.
- U potravin, které budete vařit podle vlastního receptu, se můžete orientovat podle podobných jídel uvedených v tabulkách vaření.
- Použitím dodaného příslušenství při vaření získáte nejlepší výkon. Vždy dodržujte varování a informace uvedené výrobcem pro externí nádobí, které budete používat.
- Nepromastitelný papír, který budete používat při vaření, vystříhnete ve vhodných velikostech pro nádobu, kterou budete vařit. Nepromastitelné

papíry, které přesahují nádobu, mohou představovat riziko popálení a ovlivnit kvalitu vaření. Používejte papír odolný proti mastnotě odpovídající specifikovanému teplotnímu rozsahu.

- Chcete-li dosáhnout dobrého výkonu, umístěte jídlo na doporučenou správnou polici. Během vaření neměňte polohu police.

Pečivo a jídlo do trouby

Obecné informace

- Chcete-li dosáhnout dobrého výkonu, doporučujeme při pečení používat příslušenství k výrobku. Pokud hodláte používat externí nádobí, dávejte přednost tmavému, nelepivému a tepelně odolnému nádobí.
- Pokud se v tabulce pečení doporučuje předehřátí, nezapomeňte vložit jídlo do trouby až po předehřátí.
- Pokud se chystáte péct s nádobím na grilovacím roštu, umístěte nádobí doprostřed grilovacího roštu, ne blízko zadní stěny.
- Všechny suroviny používané při výrobě pečiva by měly být čerstvé a při pokojové teplotě.
- Stav pečení výrobků se může lišit v závislosti na množství jídla a velikosti nádobí.
- Kovové, keramické a skleněné formy prodlužují dobu vaření a spodní povrch cukrářských pokrmů nehnědne rovnoměrně.
- Pokud během vaření použijete papír na vaření, může se na spodním povrchu jídla objevit malé zhnědnutí. V takovém případě budete možná muset prodloužit dobu vaření asi o 10 minut.
- Hodnoty uvedené v tabulkách pečení jsou stanoveny na základě zkoušek provedených v našich laboratořích.

Hodnoty vhodné pro vás se mohou od těchto hodnot lišit.

- Umístěte jídlo na vhodnou polici doporučenou v tabulce pečení. Spodní police trouby se označuje jako police 1.

Tipy pro pečení sladkého pečiva

- Pokud je sladké pečivo příliš suché, zvýšte teplotu o 10 °C a zkrátte dobu pečení.
- Pokud je sladké pečivo vlhké, použijte malé množství tekutiny nebo snižte teplotu o 10 °C.
- Pokud je horní část sladkého pečiva spálená, položte jej na spodní polici, snižte teplotu a zvýšte dobu pečení.
- Pokud je dobře upečeno uvnitř, ale vnější strana je lepivá, použijte menší množství tekutiny, snižte teplotu a zvýšte dobu pečení.

Tipy pro pečení pečiva

- Pokud je pečivo příliš suché, zvýšte teplotu o 10 °C a zkrátte dobu pečení. Pláty těsta navlhčete polevou sestávající z mléka, oleje, vajec a jogurtu.
- Pokud se pečivo peče pomalu, ujistěte se, že tloušťka připraveného těsta nepřetéká přes plech na pečení.
- Pokud je pečivo na povrchu hnědé, ale vespod není upečené, ujistěte se, že množství polevy, kterou použijete na pečivo, nestéká příliš pod pečivo. Pro rovnoměrné zhnědnutí zkuste polevu rovnoměrně rozprostřít mezi pláty těsta a pečivo.
- Pečte pečivo v poloze a při teplotě odpovídající tabulce pečení. Pokud spodní část ještě není dostatečně upečená, položte pečivo na spodní polici pro další pečení.

Varný stůl na pečivo a jídlo v troubě

Potraviný	Množství plechů	Příslušenství k použití	Provozní funkce	Pořadí police	Teplota (°C)	Čas vaření (min.) (přibližně)
Koláče na plechu	Jeden plech na pečení	Standardní plech*	Horní a spodní ohřev	3	180	30 ... 40
Koláče ve formě	Jeden plech na pečení	Forma na dort na drátěném grilu**	Horní a spodní ohřev	2	180	30 ... 40
Koláčky	Jeden plech na pečení	Standardní plech*	Horní a spodní ohřev	3	160	25 ... 35
	Jeden plech na pečení	Standardní plech*	Spodní/horní ohřev s pomocí ventilátoru	3	150	20 ... 30
Piškotové koláče	Jeden plech na pečení	Kulatá dortová forma o průměru 26 cm se svorkou na drátěném grilu**	Horní a spodní ohřev	2	160	30 ... 40
	Jeden plech na pečení	Kulatá dortová forma o průměru 26 cm se svorkou na drátěném grilu**	Spodní/horní ohřev s pomocí ventilátoru	2	160	20 ... 30
Koláčky	Jeden plech na pečení	Plech na pečivo*	Horní a spodní ohřev	3	170	25 ... 35
Těstovinové pečivo	Jeden plech na pečení	Standardní plech*	Spodní/horní ohřev s pomocí ventilátoru	2	200	30 ... 40

Potraviný	Množství plechů	Příslušenství k použití	Provozní funkce	Pořadí police	Teplota (°C)	Čas vaření (min.) (přibližně)
Bohaté pečivo	Jeden plech na pečení	Standardní plech*	Horní a spodní ohřev	2	200	20 ... 30
Celý chléb	Jeden plech na pečení	Standardní plech*	Horní a spodní ohřev	2	200	30 ... 40
Lasagne	Jeden plech na pečení	Skleněná / kovová obdélníková forma na drátěném grilu**	Horní a spodní ohřev	2 nebo 3	200	30 ... 40
Jablečný koláč	Jeden plech na pečení	Kulatá černá kovová forma, průměr 20 cm na drátěném grilu**	Horní a spodní ohřev	2	180	50 ... 70
Pizza	Jeden plech na pečení	Standardní plech*	Horní a spodní ohřev	2	200 ... 220	10 ... 20

V případě každého jídla se doporučuje předehřev.

* Toto příslušenství váš spotřebič nemusí obsahovat.

** Toto příslušenství není součástí produktu. Jsou to komerčně dostupné doplňky.

Maso, ryby a drůbež

Klíčové body při pečení

- Výsledek pečení se zvýší ochucením všech kuřat, krůt a velkých kusů masa před pečením citronovou šťávou a pepřem.
- Pečení vykostěného masa trvá o 15 až 30 minut déle než smažení plátků masa.
- Měli byste počítat s dobou pečení asi 4 až 5 minut na centimetr tloušťky masa.
- Po uplynutí doby pečení nechte maso v troubě asi 10 minut. Šťáva z masa se lépe rozloží ve smaženém masu a při krájení z masa nevytéká.
- Ryby je třeba umístit na plech odolný proti teplu ve střední nebo spodní úrovni police.

Varný stůl na maso, ryby a drůbež

Potraviný	Množství plechů	Příslušenství k použití	Provozní funkce	Pořadí police	Teplota (°C)	Čas vaření (min.) (přibližně)
Steak (celý) / Roštěná (1 kg)	Jeden plech na pečení	Standardní plech*	Spodní/horní ohřev s pomocí ventilátoru	3	15 minut 250/max, v 180 ... 190	60 ... 80
Jehněčí kolínko (1.5 - 2.0 kg)	Jeden plech na pečení	Standardní plech*	Spodní/horní ohřev s pomocí ventilátoru	3	15 minut 250/max, v 170	110 ... 120
Pečené kuře (1.8-2 kg)	Jeden plech na pečení	Drátěný gril* Jeden plech položte na spodní policičku	Spodní/horní ohřev s pomocí ventilátoru	2	15 minut 250/max, v 190	60 ... 80
Krůta (5.5 kg)	Jeden plech na pečení	Standardní plech*	Spodní/horní ohřev s pomocí ventilátoru	1	25 minut 250/max, v 180 ... 190	150 ... 210
Ryby	Jeden plech na pečení	Drátěný gril* Jeden plech položte na spodní policičku	Spodní/horní ohřev s pomocí ventilátoru	3	200	20 ... 30

V případě každého jídla se doporučuje předehřev.

* Toto příslušenství váš spotřebič nemusí obsahovat.

** Toto příslušenství není součástí produktu. Jsou to komerčně dostupné doplňky.

Grilování

Červené maso, ryby a drůbeží maso při grilování rychle zhnědne, má krásnou kůrku a nevyschne. Pro grilování jsou vhodné zejména plátky masa, maso na špízu, klobásy a šťavnatá zelenina (rajčata, cibule atd.).

Obecná varování

- Jídlo nevhodné pro grilování s sebou nese nebezpečí požáru. Grilujte pouze jídlo, které je vhodné pro grilovací oheň. Jídlo také nedávejte příliš daleko do zadní části grilu. Je to nejvíce horká oblast a mastná jídla se mohou vznítit.
- **Během grilování mějte dvířka trouby zavřená. Nikdy negrilujte s otevřenými dvířky trouby. Horké povrchy mohou způsobit popálení!**

Klíčové body grilování

- Na grilování připravte jídlo podobné tloušťky a hmotnosti.

- Umístěte kousky, které chcete grilovat, na drátěný rošt nebo drátěný grilovací rošt tak, abyste jejich rozložením nepřekročili rozměry topného článku.
- Doby pečení uvedené v tabulce se mohou lišit v závislosti na tloušťce grilovaných kousků.
- Zasuňte drátěný rošt nebo drátěný grilovací rošt do požadované úrovně v troubě. Pokud grilujete na drátěném roštu, zasuňte do spodní police plech trouby, abyste zachytili olej. Plech trouby, který budete zasouvat, by měl být tak velký, aby pokrýval celou plochu grilování. Tento plech nemusí být součástí výrobku. Za účelem snadného čištění dejte na plech trouby trochu vody.

Grilovací stůl

Potraviný	Příslušenství k použití	Pořadí police	Teplota (°C)	Čas vaření (min.) (přibližně)
Ryby	Drátěný gril	4 - 5	250	20 ... 25
Kuřecí kousky	Drátěný gril	4 - 5	250	25 ... 35
Fašírka (hovězí) - 12 kousky	Drátěný gril	4	250	20 ... 30
Jehněčí kotlety	Drátěný gril	4 - 5	250	20 ... 25
Bítek - (nakrájený na plátky)	Drátěný gril	4 - 5	250	25 ... 30
Telecí kotlety	Drátěný gril	4 - 5	250	25 ... 30
Gratinovaná zelenina	Drátěný gril	4 - 5	220	20 ... 30
Toastovaný chléb	Drátěný gril	4	250	1 ... 3

U všech grilovaných jídel se doporučuje předehřát troubu na 5 minut.

Po 1/2 celkového času grilování kousky jídla otočte.

Částečný gril s pomocí ventilátoru

Potraviný	Příslušenství k použití	Provozní funkce	Pořadí police	Teplota (°C)	Čas vaření (min.) (přibližně)
Ryby	Drátěný gril	Částečný gril s pomocí ventilátoru	4	200	30 ... 35
Kuřecí kousky	Drátěný gril	Částečný gril s pomocí ventilátoru	4	250	25 ... 35
Fašírka (hovězí) - 12 kousky	Drátěný gril	Částečný gril s pomocí ventilátoru	4	250	30 ... 40
Steak (celý) / Roštěná (1 kg)	Drátěný gril Jeden plech položte na spodní policičku	Částečný gril s pomocí ventilátoru	3	15 minut 250, v 180 ... 190	90 ... 110

Na tomto grilovaném stole nepřehřívejte všechny grilovaná jídla.

Jídlo pro zkoušky

Jídla v této tabulce pečení jsou připravena podle normy EN 60350-1, aby se usnadnilo zkoušení výrobku ve zkušebních ústavech.

Varný stůl pro testovací jídla

Potraviny	Množství plechu	Příslušenství k použití	Provozní funkce	Poloha police	Teplota (°C)	Čas vaření (min.) (přibližně)
Křehké pečivo (sladké pečivo)	Jeden plech na pečení	Standardní plech*	Horní a spodní ohřev	3	140	20 ... 30
Koláčky	Jeden plech na pečení	Standardní plech*	Horní a spodní ohřev	3	160	25 ... 35
	Jeden plech na pečení	Standardní plech*	Spodní/horní ohřev s pomocí ventilátoru	2	150	20 ... 30
Piškotové koláče	Jeden plech na pečení	Kulatá dortová forma o průměru 26 cm se svorkou na drátěném grilu**	Horní a spodní ohřev	2	160	30 ... 40
	Jeden plech na pečení	Kulatá dortová forma o průměru 26 cm se svorkou na drátěném grilu**	Spodní/horní ohřev s pomocí ventilátoru	2	160	20 ... 30
Jablečný koláč	Jeden plech na pečení	Kulatá černá kovová forma, průměr 20 cm na drátěném grilu**	Horní a spodní ohřev	2	180	50 ... 70

V případě každého jídla se doporučuje předeřhřev.

* Toto příslušenství váš spotřebič nemusí obsahovat.

** Toto příslušenství není součástí produktu. Jsou to komerčně dostupné doplňky.

Gril

Potraviny	Příslušenství k použití	Poloha police	Teplota (°C)	Čas vaření (min.) (přibližně)
Toastovaný chléb	Drátěný gril	4	250	1 ... 3
Fašířka (hovězí) - 12 kusů	Drátěný gril	4	250	20 ... 30

Po 1/2 celkového času grilování jídlo otočte.

U všech grilovaných jídel se doporučuje předeřhřát troubu na 5 minut.

7 Údržba a péče

Všeobecné informace o čištění

⚠ Všeobecná upozornění

- Před vyčištěním produktu vyčkejte, dokud produkt vychladne. Horké povrchy mohou způsobit popáleniny!
- Nenanášejte čisticí prostředky přímo na horké povrchy. Může to způsobit trvalé skvrny.
- Spotřebič musí být po každé operaci důkladně vyčištěn a vysušen. Zbytky potravin se tak dají snadno vyčistit a zabrání se jejich spálení při pozdějším použití spotřebiče. Tím se prodlužuje životnost přístroje a snižují se často se vyskytující problémy.
- K čištění nepoužívejte parní čisticí prostředky.
- Některé čisticí prostředky nebo čisticí přípravky mohou poškodit povrch. Během čištění nepoužívejte abrazivní čisticí prostředky, čisticí prášky, čisticí krémy, odvápňovač nebo ostré předměty.
- K čištění po každém použití není zapotřebí speciální čisticí prostředek. Spotřebič očistěte mýdlem, teplou vodou a měkkým hadříkem nebo houbou a osušte suchým hadříkem z mikrovlákn.
- Ujistěte se, že jste po vyčištění jste úplně setřeli veškerou zbylou tekutinu a okamžitě vyčistěte všechny zbytky jídla, které kolem vás vystříkne během vaření.
- Nemyjte žádné části spotřebiče v myčce nádobí.

Inox a nerezavějící povrchy

- K čištění nerezových nebo neoxidovaných povrchů a rukojetí nepoužívejte čisticí prostředky obsahující kyselinu nebo chlór.

- Nerezový nebo Inoxový povrch může časem změnit barvu. To je normální. Po každé operaci vyčistěte čisticím prostředkem vhodným na nerezový nebo Inoxový povrch.
- Čistěte měkkým mýdlovou hadříkem a tekutým (neškrabajícím) čisticím prostředkem vhodným pro povrchy z nerezavějící oceli. Otírejte jedním směrem.
- Okamžitě bez čekání odstraňte skvrny od vápna, oleje, škrobu, mléka a bílkovin z inox-nerezového a skleněného povrchu. Skvrny mohou po delší době rezavět.

Smaltované povrchy

- Po každém použití smaltované povrchy očistěte čisticím prostředkem na nádobí, teplou vodou a měkkým hadříkem nebo houbou a osušte je suchým hadříkem.
- Pokud je váš výrobek vybaven funkcí lehkého čištění párou, můžete snadné čištění párou provést i na lehké trvalé nečistoty. (Viz "Snadné čištění párou")
- U přetrvávajících skvrn lze použít čisticí prostředek na trouby a grily doporučený na webových stránkách značky vašeho produktu a čisticí neškrábací podložku. Nepoužívejte externí čistič trouby.
- Oblast na pečení trouby musí být pro čištění vychladlá. Čištění horkých povrchů vede k nebezpečí požáru a poškození smaltovaným povrchem.

Katalytické povrchy

- Boční stěny v oblasti vaření mohou být pokryty pouze smaltovanými nebo katalytickými stěnami. Liší se v závislosti na modelu.
- Katalytické stěny mají lehký matný a pórovitý povrch. Katalytické stěny trouby se nemají čistit.

- Katalytické povrchy absorbují olej díky své pórovité struktuře a začnou se lesknout, když je povrch nasycený olejem, v takovém případě se doporučuje vyměnit díly.

Skleněné povrchy

- Při čištění skleněných povrchů nepoužívejte škrabky z tvrdého kovu a abrazivní čisticí prostředky. Mohou poškodit povrch skla.
- Spotřebič očistěte čisticím prostředkem na nádobí, teplou vodou a hadříkem z mikrovláčna určenou pro skleněné povrchy. Osušte jej suchým hadříkem z mikrovláčna.
- Pokud po vyčištění zůstanou zbytky saponátu, otřete ho studenou vodou a osušte čistým a suchým hadříkem z mikrovláčna. Zbytky saponátu mohou přístě poškodit povrch skla.
- Zaschlé zbytky na povrchu skla za žádných okolností nečistěte vroubkovanými noži, drátěnou vatou nebo podobnými škrábanci.
- Skvrny od vápníku (žluté skvrny) na povrchu skla můžete odstranit komerčně dostupným odvápnovacím prostředkem, jako je ocet nebo citrónová šťáva.
- Pokud je povrch silně znečištěn, naneste houbou na skvrnu čisticí prostředek a počkejte dlouho, dokud nebude správně fungovat. Potom povrch skla očistěte vlhkým hadříkem.
- Změna barvy a skvrny na povrchu skla jsou normální a nejde o chyby.

Plastové díly a lakované povrchy

- Plastové díly a lakované povrchy očistěte čisticím prostředkem na nádobí, teplou vodou a měkkým hadříkem nebo houbou a osušte je suchým hadříkem.

- Nepoužívejte škrabky z tvrdého kovu a drsné čisticí prostředky. Může to poškodit povrchy.
- Dbejte na to, aby klouby komponentů spotřebiče nezůstaly vlhké a saponátové. V opačném případě může na těchto spojích dojít ke korozi.

Čištění příslušenství

Pokud není v uživatelské příručce uvedeno jinak, nemyjte příslušenství k výrobku v myčce na nádobí.

Čištění ovládacího panelu

- Při čištění panelů pomocí ovladače knoflíků otřete panel a ovladače vlhkým měkkým hadříkem a osušte suchým hadříkem. Neodstraňujte knoflíky a těsnění zespodu, abyste vyčistili ovládací panel. Může být poškozen ovládací panel a knoflíky.
- Během čištění inox panelů s knoflíkovým řízením, kolem gombíkovnepoužívejte čisticí prostředky na inox. Kontrolky kolem knoflíků mohou být vymazány.
- Dotykové ovládací panely očistěte vlhkým měkkým hadříkem a osušte suchým hadříkem. Pokud je váš produkt vybaven funkcí blokování kláves, před provedením čištění ovládacího panelu nastavte blokování kláves. V opačném případě může dojít k nesprávné detekci kláves.

Čištění vnitřní části trouby (oblast pečení)

Postupujte podle kroků čištění popsanych v části „Obecné informace o čištění“ podle typů povrchů v troubě.

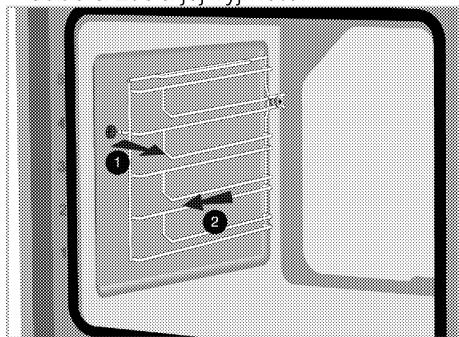
Čištění bočních stěn trouby

Boční stěny v prostoru pro pečení mohou být pokryty pouze smaltovanými nebo katalytickými stěnami. Liší se to podle modelu. Pokud jsou v troubě katalytické stěny, naleznete informace v části „Katalytické stěny“.

Pokud je váš výrobek modelem s drátěnými rošty, vyjměte před čištěním bočních stěn drátěné rošty. Postupujte podle kroků čištění popsanych v části „Obecné informace o čištění“ pro typ povrchu boční stěny.

Postup vyjmutí bočních drátěných roštů:

1. Vyjměte přední část drátěného roštu zatažením za boční stěnu v opačném směru.
2. Vytáhněte drátěný rošt směrem k sobě a zcela jej vyjměte.



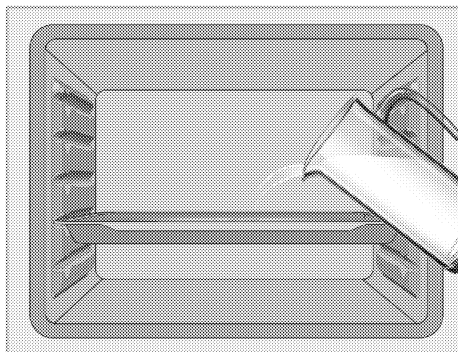
3. Při opětovném nasazení roštů je nutné postupovat v opačném pořadí.

Snadné čištění párou

Liší se v závislosti na modelu produktu. * Nemusí být k dispozici ve vašem produktu.

Zajišťuje snadné čištění, protože nečistoty (pokud s čištěním nečekáte příliš dlouho) jsou změkčeny párou, která se tvoří uvnitř trouby, a voda kondenzuje na vnitřních plochách trouby.

1. Vyjměte z trouby veškeré příslušenství.
2. Nalijte do plechu na pečení 500 ml vody a umístěte plech do 2. lišty trouby.



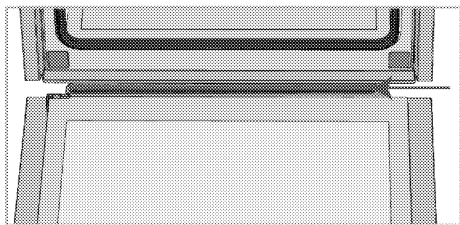
3. Nastavte troubu do režimu snadného čištění párou a nechte ji spuštěnou 15 minut při 100 °C.

Otevřete dvířka a ihned otřete vnitřní povrchy trouby vlhkou houbou nebo hadříkem. Při otevírání dvířek dojde k úniku páry. To může způsobit riziko popálení. Při otevírání dvířek trouby buďte opatrní.

Zbývající nečistoty očistěte teplou vodou s mycím prostředkem, měkkým hadříkem nebo houbou a otřete je suchým hadříkem.

i Během režimu snadného čištění párou se voda, která je v bazénu ve spodní části trouby, aby změkčila lehce vytvořené zbytky / nečistoty v dutině trouby, odpařuje a kondenzuje v dutině trouby a vnitřním skle dvířek trouby, proto může kapat voda při otevření dvířek trouby. Ihned po otevření dvířek trouby otřete kondenzát.

Liší se v závislosti na modelu produktu. * Nemusí být k dispozici ve vašem produktu. Po kondenzaci v troubě může být v kanálku mělké nádržky pod troubou voda nebo vlhkost. Po použití vyčistěte tento kanál bazénu vlhkým hadříkem a poté jej osušte.



Čištění dvířek trouby

- i** K čištění dvířek a skla trouby nepoužívejte drsné abrazivní čisticí prostředky, kovové škrabky, drátěnku nebo bělicí činidla.

Dvířka trouby a sklo dvířek můžete za účelem čištění vyjmout. Postup vyjmutí dvířek a skel je vysvětlen v částech „Vyjmutí dvířek trouby“ a „Vyjmutí vnitřních skel dvířek“. Vnitřní skla dvířek po vyjmutí vyčistěte pomocí prostředku na mytí nádobí, teplé vody a měkkého hadříku nebo houby a osušte je suchým hadříkem. Sklo otřete octem a poté ho opláchněte proti zbytkům vápna, které se mohou vyskytnout na skle trouby.

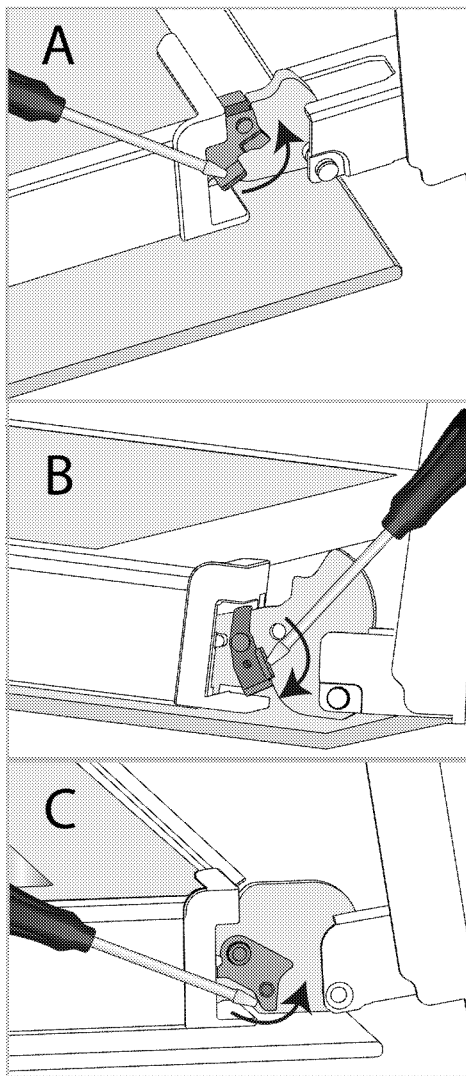
Vyjmutí dvířek trouby

1. Otevřete dvířka trouby.
2. Otevřete přichytky v objímce závěsu předních dvířek vpravo a vlevo zatlačením dolů, jak je znázorněno na obrázku.

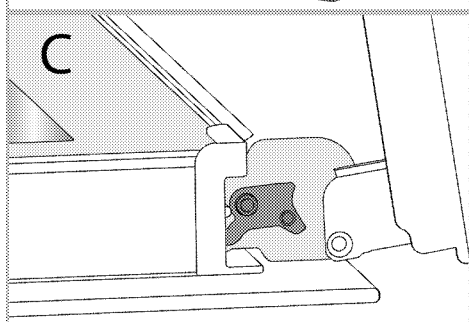
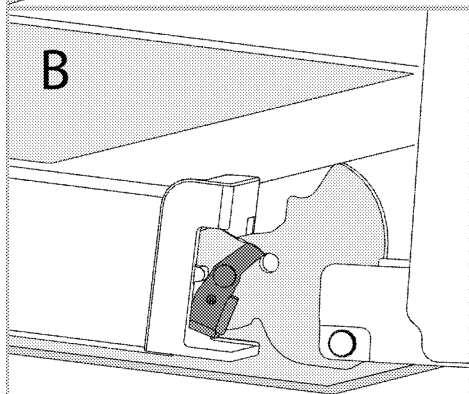
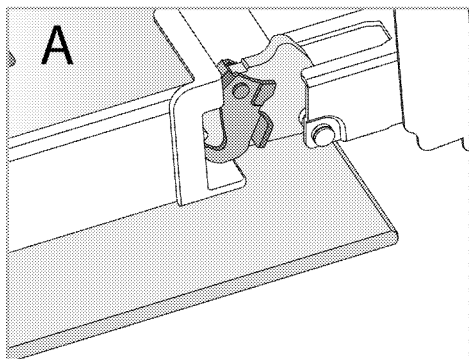
Typ závěsu (A), (B), (C) se liší podle modelu produktu. Nižší uvedené obrázky ukazují, jak otevřít všechny typy závěsů. Závěs typu (A) je k dispozici u běžných typů dveří.

Závěs typu (B) je k dispozici u typů dveří s měkkým zavíráním.

Závěs typu (C) je k dispozici u typů dveří s měkkým otevíráním / zavíráním.

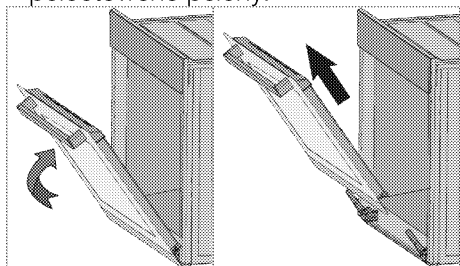


Zámek pantu - zavřená poloha



Zámek pantu - otevřená poloha

3. Otevřete dvířka trouby do polootevřené polohy.



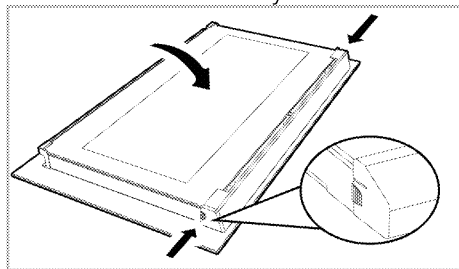
4. Polootevřené dveře vytáhněte směrem nahoru a uvolněte je z pravého a levého závěsu a vyjměte je.

i Při opětovném nasazení dvířek je nutné postupovat v opačném pořadí. Při nasazení dvířek nezapomeňte zavřít příchytky na objímce závěsu.

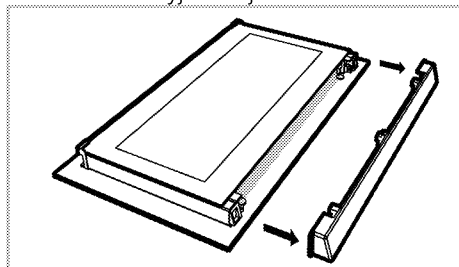
Vyjmutí vnitřních skel dvířek trouby

Vnitřní sklo předních dvířek výrobku lze za účelem čištění vyjmout.

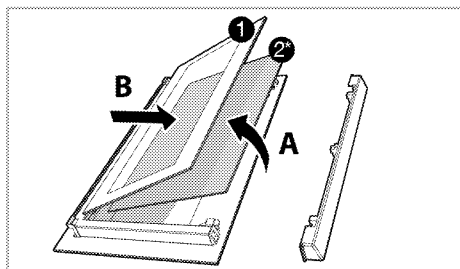
1. Otevřete dvířka trouby.



2. Táhněte součást z plastu připevněnou k horní části předních dvířek směrem k sobě se současným stisknutím tlakových bodů na obou stranách součásti a vyjměte ji.



3. Jak je znázorněno na obrázku, jemně zvedněte zcela vnitřní sklo (1) směrem k „A“ a poté jej vyjměte vytažením směrem k „B“.



- 1 Nejvnitřnější skleněný panel
- 2* Vnitřní skleněný panel (Ve vašem produktu nemusí být přítomen.)
4. Pokud má váš výrobek vnitřní sklo (2), opakujte stejný postup, abyste jej oddělili (2).
5. Prvním krokem přeskupení dvířek je opětovné sestavení vnitřního skla (2). Umístěte zkosenou hranu skla tak, aby odpovídala zkosené hraně plastové štěrbině. (Pokud má váš výrobek vnitřní sklo). Vnitřní sklo (2) musí být připevněno k plastové štěrbině co nejbližší ke zcela vnitřnímu sklu (1).
6. Při opětovném sestavení zcela vnitřního skla (1) věnujte pozornost umístění potištěné strany skla na vnitřní sklo. Je důležité umístit spodní rohy zcela vnitřního skla (1) tak, aby odpovídaly spodním plastovým štěrbinám.
7. Tlačte součást z plastu směrem k rámu, dokud neuslyšíte cvaknutí.

Čištění světla trouby

Pokud dojde ke znečištění skleněných dvířek světla v oblasti pečení, vyčistěte jej pomocí prostředku na mytí nádobí, teplé vody a měkkého hadříku nebo houby a osušte jej suchým hadříkem. V případě poruchy žárovky světla trouby jej můžete vyměnit následujícím postupem.

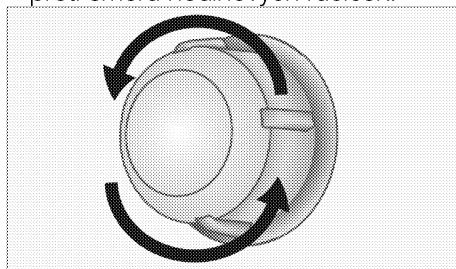
Výměna žárovky světla trouby

⚠ Obecná varování

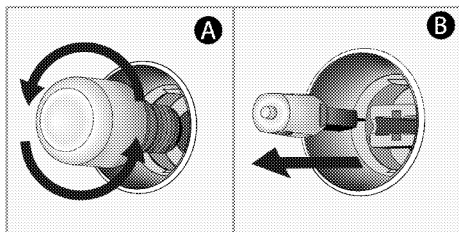
- Aby nedošlo k úrazu elektrickým proudem, odpojte před výměnou žárovky světla trouby elektrické připojení a počkejte, až trouba vychladne. Horké povrchy mohou způsobit popáleniny!
- Světlo trouby je speciální elektrická žárovka odolná teplotě do 300 °C. Žárovky světla trouby lze získat z autorizovaných servisů.
- Poloha světla se může lišit od polohy znázorněné na obrázku.
- Žárovka světla použitá v tomto výrobku není vhodná pro použití při osvětlení pokojů v domácnosti. Účelem tohoto světla je pomoci uživateli vidět na pečené výrobky.
- Žárovky použité v tomto výrobku musí odolat extrémním fyzickým podmínkám, jako jsou teploty nad 50 °C.

Pokud má vaše trouba kulaté světlo:

1. Odpojte výrobek od napájení ze sítě.
2. Vyměňte skleněný kryt jeho otáčením proti směru hodinových ručiček.



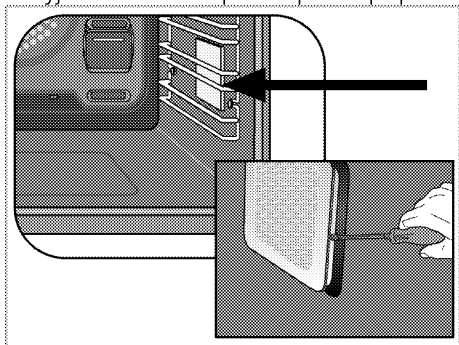
3. Pokud je žárovka vaší trouby typu (A) zobrazeného na obrázku níže, otáčejte žárovkou světla trouby podle obrázku a vyměňte ji za novou. Pokud se jedná o model s typem (B), vytáhněte žárovku, jak je znázorněno na obrázku, a vyměňte ji za novou.



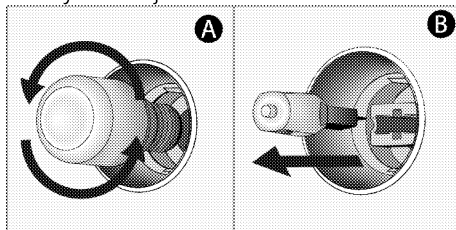
4. Nasadte zpět skleněný kryt.

Pokud má vaše trouba čtyřhranné světlo:

1. Odpojte výrobek od napájení ze sítě.
2. Vyměňte drátěné police podle popisu.



3. Pomocí šroubováku zvedněte ochranný skleněný kryt žárovky.
4. Pokud je žárovka vaší trouby typu (A) zobrazeného na obrázku níže, otáčejte žárovkou světla trouby podle obrázku a vyměňte ji za novou. Pokud se jedná o model s typem (B), vytáhněte žárovku, jak je znázorněno na obrázku, a vyměňte ji za novou.



5. Nasadte zpět skleněný kryt a drátěné police.

8 Řešení problémů

Pokud nemůžete problém odstranit, přestože jste postupovali podle pokynů v této části, obraťte se na autorizovaný servis, technika s licenci nebo na prodejce, u kterého jste výrobek zakoupili. Nikdy se nepokoušejte opravit vadný výrobek sami.

Z trouby při používání uniká pára.

- Je normální, že během používání uniká pára. >>> *Nejedná se o závadu.*

Během pečení se objevují kapky vody.

- Pára, která vzniká během pečení, může kondenzovat a vytvářet kapky vody, když se dostane na chladné povrchy výrobku. >>> *Nejedná se o závadu.*

Při ohřevu a ochlazování trouba vydává kovové zvuky.

- Při ohřevu se mohou kovové části roztahovat a způsobit zvuky. >>> *Nejedná se o závadu.*

Výrobek nefunguje.

- Síťová pojistka je vadná nebo je vypnutá. >>> *Zkontrolujte pojistky v pojistkové skříňce. V případě potřeby je vyměňte nebo znovu zapněte.*
- Výrobek není zapojen do (uzemněné) zásuvky. >>> *Zkontrolujte připojení zástrčky.*
- Tlačítka / ovládací knoflíky / dotykové plošky na ovládacím panelu nefungují.>>> *Pokud je váš výrobek vybaven funkcí uzamčení tlačítek, může být toto uzamčení aktivováno. Proveďte jeho deaktivaci.*

Světlo trouby nefunguje.

- Žárovka světla trouby je vadná. >>> *Vyměňte žárovku světla trouby.*
- Napájení je přerušeno. >>> *Zkontrolujte napájení. Zkontrolujte pojistky v pojistkové skříňce. V případě potřeby pojistky vyměňte nebo znovu zapněte.*

Trouba nehřeje.

- Není nastavena na určitou funkci pečení a/nebo teplotu. >>> *Nastavte troubu na určitou funkci pečení a/nebo teplotu.*
- U modelů vybavených časovačem není nastaven časovač. >>> *Nastavte časovač.*
- Napájení je přerušeno. >>> *Zkontrolujte napájení. Zkontrolujte pojistky v pojistkové skříňce. V případě potřeby pojistky vyměňte nebo znovu zapněte.*

(U modelů s časovačem) Displej hodin bliká nebo svítí symbol hodin.

- Došlo předtím k výpadku napájení. >>> *Nastavte časovač / vypněte výrobek a znovu jej zapněte.*



ZÁKAZNICKÉ CENTRUM BEKO

BEKO SPÓLKA AKCYJNA, organizační složka, Bucharova 1423/6, 158 00 Praha 5 – Stodůlky

7 dní v týdnu od 8:00 do 18:00

poradí nebo pomůže vyřešit záruční, případně pozáruční opravy výrobků Beko

tel. kontakt	222 525 222
tel. kontakt	800 350 333
e-mail	zakaznickecentrum@bekosa.cz
online objednávka opravy spotřebiče	www.bekocr.cz
5 let záruky – podmínky a registrace	www.bekocr.cz

ZÁRUČNÍ PODMÍNKY ČR

- a) Platný a čitelný prodejní doklad, který obsahuje datum prodeje, model spotřebiče a označení prodejce, opravňuje uživatele využít záruku na výrobek v souladu s ustanoveními Občanského zákoníku, v platném znění.
- b) Není-li stanoveno jinak, je záruční doba na výrobek 24 měsíců. Začíná plynout ode dne převzetí věci kupujícím vyjma případu, kdy je nutné uvedení do provozu oprávněnou firmou. V tom případě začne záruční doba plynout ode dne uvedení výrobku do provozu.

Výrobky vyžadující odborné zapojení: plynové a kombinované sporáky a varné desky, dále všechny spotřebiče, které nejsou vybaveny přívodním elektrickým kabelem zakončeným vidlicí. Zapojení spotřebiče je službou hrazenou zákazníkem. Potvrzení je nutné uschovat. Dovozce nezodpovídá za poškození či škody vzniklé chybnou instalací nebo chybným zapojením výrobku.

- c) Záruka vyplývající z těchto záručních podmínek může být uplatněna pouze na území České republiky a týká se pouze a výhradně spotřebičů dovezených do ČR prostřednictvím naší společnosti, BEKO SPÓLKA AKCYJNA, organizační složka, Bucharova 1423/6, 158 00 Praha 5 – Stodůlky, která je oficiálním zastoupením značky Beko pro Českou republiku.
- d) Záruka je poskytována kupujícím (konečnému spotřebiteli) v souladu se zákonem č. 634/1992 Sb., o ochraně spotřebitele v platném znění, na výrobek sloužící běžnému používání v domácnosti. Výrobek není určen k průmyslovému použití a poskytování služeb. Spotřebiče, které nejsou používány v domácnosti, nejsou předmětem záruky (hotelová, školská a restaurační zařízení, úklidové firmy atd.)
- e) Práva ze zodpovědnosti za vady výrobku se uplatňují u prodávajícího. Záruční oprava se vztahuje výhradně na závady, které vzniknou v době platnosti záruční lhůty a to výrobní vadou. Takto vzniklé závady je oprávněn odstranit pouze autorizovaný servis.

O odstranění vad výrobku v záruční lhůtě je kupující oprávněn požádat prodejce nebo **Zákaznické centrum Beko** na telefonním čísle: 222 525 222, 800 350 333 nebo online na <https://www.bekocr.cz/objednavka-opravy-spotrebice>

- f) Zákazník musí pro objednání opravy nahlásit datum zakoupení, model spotřebiče, výrobní a produktové číslo, které se nachází na výrobním štítku každého spotřebiče. Bez nahlášení těchto údajů nebude moci být požadavek zákazníka na bezplatnou opravu vyřešen. Zákazník je také dále povinen poskytnout autorizovanému servisu součinnost potřebnou k ověření existence případně odstranění reklamované vady.

- g) Při návštěvě servisního technika kupující prokáže existenci záruky předložením čitelného prodejního dokladu nebo certifikátu 5 let záruky Beko. Po provedení záruční opravy jsou autorizovaná servisní střediska nebo prodávající povinni vydat kupujícímu čitelnou kopii opravného listu nebo doklad o uplatnění práva záruky a době trvání opravy. Po dobu záruky je kupující povinen uschovávat veškeré doklady související s koupí a servisem výrobku.
- Opravní list slouží k prokázání práv kupujícího, proto je ve vlastním zájmu kupujícího si zkontrolovat před podpisem veškeré údaje. Záruční lhůta se v případech, kdy závada znemožnila používání výrobku, prodlužuje o dobu, kdy kupující uplatní nárok na záruční opravu u autorizovaného střediska až do dne převzetí opraveného výrobku.
- h) Výrobek musí být instalován a provozován podle návodu k obsluze a platných norem. Funkce chladniček, mrazniček a jejich kombinací je zaručena při okolní teplotě od +10°C do +32°C.
- i) Touto zárukou nejsou dotčena práva kupujícího, která se ke koupí věci váží podle zvláštních právních předpisů.
- j) Společnost BEKO SPÓLKA AKCYJNA, organizační složka, Bucharova 1423/6, 158 00 Praha 5 - Stodůlky nabízí spotřebitelům na vybrané modely prodlouženou záruku vcelkové délce trvání 5 let. Předmětem této nadstandardní záruky je bezplatné odstraňování výrobních vad po dobu následujících 36 měsíců od skončení zákonné dvouleté záruční lhůty. Podmínkou získání certifikátu prodloužené záruky je splnění veškerých podmínek uvedených na www.bekocr.cz
- O odstranění vad výrobku v prodloužené záruční lhůtě je kupující oprávněn požádat Zákaznické centrum Beko na telefonním čísle: 222 525 222, 800 350 333 nebo online na <https://www.bekocr.cz/objednavka-opravy-spotrebice>
- Při opravě v rámci prodloužené záruky je uživatel povinen autorizovanému servisu předložit platný certifikát prodloužené záruky a prodejní doklad.
- k) V době trvání prodloužené záruky bude oprávněná reklamacie řešena opravou nebo dodáním náhradního dílu. V případě neodstranitelné vady zajistí dovozce přímo u zákazníka výměnu výrobku za nový. Nárok na výměnu uplatňuje zákazník po zaslání všech potřebných dokladů (platný certifikát, doklad o zakoupení, vyjádření servisního technika) na e-mail reklamace@bekosa.cz nebo poštou na adresu BEKO SPÓLKA AKCYJNA, organizační složka, Bucharova 1423/6, 158 00 Praha 5 - Stodůlky. Spotřebitel nemá právo v průběhu prodloužené záruky na vrácení kupní částky. Uplatnění práva na bezplatné odstraňování výrobních vad podléhá zde uvedeným všeobecným záručním podmínkám.

Právo na uplatnění záruky zaniká pokud:

- Není výrobek používán v souladu s návodem;
- Došlo k mechanickému poškození výrobku cizím zaviněním, při nesprávné údržbě nebo jiným zanedbáním péče o výrobek;
- Byl na výrobku proveden neodborný zásah neoprávněnou osobou;
- Plynové spotřebiče nebo spotřebiče s napájením 400V nebyly uvedeny do provozu odbornou firmou;
- Došlo k mechanickému poškození při přepravě;
- Je vada způsobená vnějšími podmínkami, jako jsou např. poruchy v elektrické síti nebo vadná bytová instalace, nevhodnými provozními podmínkami, poškození živlem;
- Je výrobek vadný z důvodu použití neoriginálního příslušenství a náhradních dílů;
- Kuchyňská linka, do které je výrobek zabudovaný, nespĺňuje potřebné technické parametry;
- Záruka se dále nevztahuje na preventivní údržbu popsanou v návodu k obsluze, popřípadě závady způsobené nevhodnou manipulací, na opotřebením vzniklé běžným používáním, na mechanické poškození skleněných a plastových komponentů;
- Záruka se nevztahuje na návštěvu technika za účelem poradenství, preventivní kontrolu stavu spotřebiče, výměnu náhradního dílu, který nevyžaduje odborný zásah, záměna směru otevírání dveří chladniček a sušiček.