



Oven

User Manual

Pećnica

Uputstvo za upotrebu

Ahi

Kasutusjuhend



FSE56000GW

EN / BS / ET

485.3023.24/R.AC/13.10.2023/5-1

7786982910



RECYCLED &
RECYCLABLE PAPER

Please read this user manual first!

Dear Customer,

Thank you for purchasing this Beko product. We hope that you get the best results from your product which has been manufactured with high quality and state-of-the-art technology. Therefore, please read this entire user manual and all other accompanying documents carefully before using the product and keep it as a reference for future use. If you handover the product to someone else, give the user manual as well. Follow all warnings and information in the user manual.

Remember that this user manual is also applicable for several other models. Differences between models will be identified in the manual.

Explanation of symbols

Throughout this user manual the following symbols are used:



Important information or useful hints about usage.



Warning of hazardous situations with regard to life and property.



Warning of electric shock.



Warning of risk of fire.



Warning of hot surfaces.



Arçelik A.Ş.
Karaağaç caddesi No:2-6
34445 Sülüce/İstanbul/TURKEY
Made in TURKEY

TABLE OF CONTENTS

1 Important instructions and warnings for safety and environment **4**

General safety	4
Electrical safety	5
Product safety	6
Intended use	8
Safety for children	9
Disposing of the old product	9
Package information	9
Future Transportation	9

2 General information **10**

Overview	10
Package contents	11
Technical specifications	12

3 Installation **13**

Before installation	13
Installation and connection	14

4 Preparation **17**

Tips for saving energy	17
Initial use	17
First cleaning of the appliance	17
Initial heating	17

5 How to use the hob **19**

General information about cooking	19
Using the hobs	19

6 How to operate the oven **21**

General information on baking, roasting and grilling	21
How to operate the electric oven	21
Operating modes	22
Cooking times table	23
How to operate the grill	24
Cooking times table for grilling	24

7 Maintenance and care **25**

General information	25
Cleaning the hob	25
Cleaning the control panel	25
Cleaning the oven	25
Cleaning the oven door	26
Removing the door inner glass	27
Replacing the oven lamp	28

8 Troubleshooting **30**

1 Important instructions and warnings for safety and environment

This section contains safety instructions that will help protect from risk of personal injury or property damage. Failure to follow these instructions shall void any warranty.

General safety

- This appliance can be used by children aged from 8 years and above and persons with reduced physical, sensory or mental capabilities or lack of experience and knowledge if they have been given supervision or instruction concerning use of the appliance in a safe way and understand the hazards involved.
Children shall not play with the appliance. Cleaning and user maintenance shall not be made by children without supervision.
- The appliance is not to be used by persons (including children) with reduced physical, sensory or mental capabilities, or lack of experience and knowledge, unless they have been given supervision or instruction. Children should be supervised and ensure they do not play with the appliance
- If the product is handed over to someone else for personal use or second-hand use purposes, the user manual, product labels and other relevant documents and parts should be also given.
- Never place the product on a carpet-covered floor. Otherwise, lack of airflow beneath the product will cause electrical parts to overheat. This will cause problems with your product.
- Installation and repair procedures must always be performed by Authorised Service Agents. The manufacturer shall not be held responsible for damages arising from procedures carried out by unauthorised persons which may also void the warranty. Before installation, read the instructions carefully.

- Do not operate the product if it is defective or has any visible damage.
- Ensure that the product function knobs are switched off after every use.

Electrical safety

- If the product has a failure, it should not be operated unless it is repaired by an Authorised Service Agent. There is the risk of electric shock!
- Only connect the product to a grounded outlet/line with the voltage and protection as specified in the "Technical specifications". Have the grounding installation made by a qualified electrician while using the product with or without a transformer. Our company shall not be liable for any problems arising due to the product not being earthed in accordance with the local regulations.
- Never wash the product by spreading or pouring water onto it! There is the risk of electric shock!
- The product must be disconnected during installation, maintenance, cleaning and repairing procedures.
- If the power connection cable for the product is damaged, it must be replaced by the manufacturer, its service agent or similarly qualified persons in order to avoid a hazard.
- Only use the connection cable specified in the "Technical specifications".
- The appliance must be installed so that it can be completely disconnected from the mains supply. The separation must be provided by a switch built into the fixed electrical installation, according to construction regulations.
- Rear surface of the oven gets hot when it is in use. Make sure that the electrical connection does not contact with the rear surface; otherwise, connections can get damaged.
- Do not trap the mains cable between the oven door and frame and do not route it over hot surfaces. Otherwise, cable insulation may melt and cause fire as a result of short circuit.
- Any work on electrical equipment and systems should only be carried out by

authorised and qualified persons.

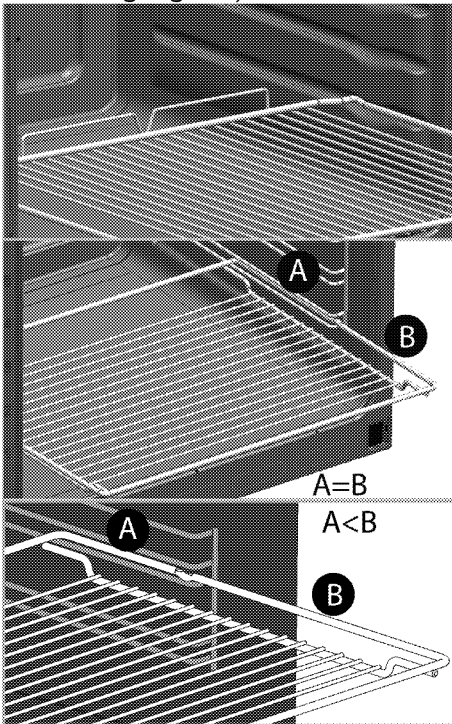
- In case of any damage, switch off the product and disconnect it from the mains. To do this, turn off the fuse at home.
- Make sure that fuse rating is compatible with the product.

Product safety

- **WARNING:** The appliance and its accessible parts become hot during use. Care should be taken to avoid touching heating elements. Children less than 8 years of age shall be kept away unless continuously supervised.
- Never use the product when your judgment or coordination is impaired by the use of alcohol and/or drugs.
- Be careful when using alcoholic drinks in your dishes. Alcohol evaporates at high temperatures and may cause fire since it can ignite when it comes into contact with hot surfaces.
- Food Poisoning Hazard: Do not let food sit in oven for more than 1 hour before or after cooking. Doing so can result in food poisoning or sickness.
- Do not place any flammable materials close to the product as the sides may become hot during use.
- During use the appliances becomes hot. Care should be taken to avoid touching heating elements inside the oven.
- Keep all ventilation slots clear of obstructions.
- Do not heat closed tins and glass jars in the oven. The pressure that would build-up in the tin/jar may cause it to burst.
- Do not place baking trays, dishes or aluminium foil directly onto the bottom of the oven. The heat accumulation might damage the bottom of the oven.
- Do not use harsh abrasive cleaners or sharp metal scrapers to clean the oven door glass since they can scratch the surface, which may result in shattering of the glass.
- Do not use steam cleaners to clean the appliance as this may cause an electric shock.
- (Varies depending on the product model.)

Placing the wire shelf and tray onto the wire racks properly

It is important to place the wire shelf and/or tray onto the rack properly. Slide the wire shelf or tray between 2 rails and make sure that it is balanced before placing food on it (Please see the following figure).



- Do not use the product if the front door glass is removed or cracked.
- Always use heat resistant oven gloves when putting in or removing dishes into/from the hot oven.

- Place the baking paper into the cooking pot or on to the oven accessory (tray, wire grill etc) together with the food and then insert all into the preheated oven. Remove the excess parts of the baking paper overflowing from the accessory or the pot in order to prevent the risk of touching the oven's heating elements. Never use the baking paper in an operating temperature higher than the indicated value for the baking paper. Do not place the baking paper directly on the base of the oven.
- **WARNING:** Ensure that power cord of the appliance is unplugged or circuit breaker is switched off before replacing the lamp to avoid the possibility of electric shock.
- Do not close the top cover before the hotplates or burners cool down. Wipe the top cover dry before opening it in order to avoid water leakage to the rear and inner sections of the oven.
- The appliance must not be installed behind a decorative

door in order to avoid overheating.

- Product must be placed directly on the floor. It must not be placed onto a base or a pedestal.
- **WARNING:** Unattended cooking on a hob with fat or oil can be dangerous and may result in fire. NEVER try to extinguish a fire with water, but switch off the appliance and then cover flame e.g. with a lid or a fire blanket.
- **CAUTION:** The cooking process has to be supervised. A short term cooking process has to be supervised continuously.
- **WARNING:** Danger of fire: Do not store items on the cooking surfaces.
- The appliance is not intended to be operated by means of an external timer or separate remote-control system.
- **WARNING:** Use only hob guards designed by the manufacturer of the cooking appliance or indicated by the manufacturer of the appliance in the instructions for use as suitable or hob guards incorporated in the appliance. The use of

inappropriate guards can cause accidents.

Prevention against possible fire risk!

- Ensure all electrical connections are secure and tight to prevent risk of arcing.
- Do not use damaged cables or extension cables.
- Ensure liquid or moisture is not accessible to the electrical connection point.

Intended use

- This product is designed for domestic use. Commercial use will void the guarantee.
- **CAUTION:** This appliance is for cooking purposes only. It must not be used for other purposes, for example room heating.
- This product should not be used for warming the plates under the grill, drying towels, dish cloths etc. by hanging them on the oven door handles. This product should also not be used for room heating purposes.
- The manufacturer shall not be liable for any damage caused by improper use or handling errors.
- The oven can be used for defrosting, baking, roasting and grilling food.

Safety for children

- **WARNING:** Accessible parts may become hot during use. Young children should be kept away.
- The packaging materials will be dangerous for children. Keep the packaging materials away from children. Please dispose of all parts of the packaging according to environmental standards.
- Electrical products are dangerous to children. Keep children away from the product when it is operating and do not allow them to play with the product.
- Do not place any items above the appliance that children may reach for.
- When the door is open, do not load any heavy object on it and do not allow children to sit on it. It may overturn or door hinges may get damaged.

Disposing of the old product

Compliance with the WEEE Directive and Disposing of the Waste Product:



This product complies with EU WEEE Directive (2012/19/EU). This product bears a classification symbol for waste electrical and electronic equipment (WEEE).

This product has been manufactured with high quality parts and materials which can be reused and are suitable for recycling. Do not dispose of the waste product with normal domestic and other wastes at the end of its service life. Take it to the collection center for the recycling of electrical and electronic equipment. Please consult your local authorities to learn about these collection centers.



Compliance with RoHS Directive:

The product you have purchased complies with EU RoHS Directive (2011/65/EU). It does not contain harmful and prohibited materials specified in the Directive.

Package information

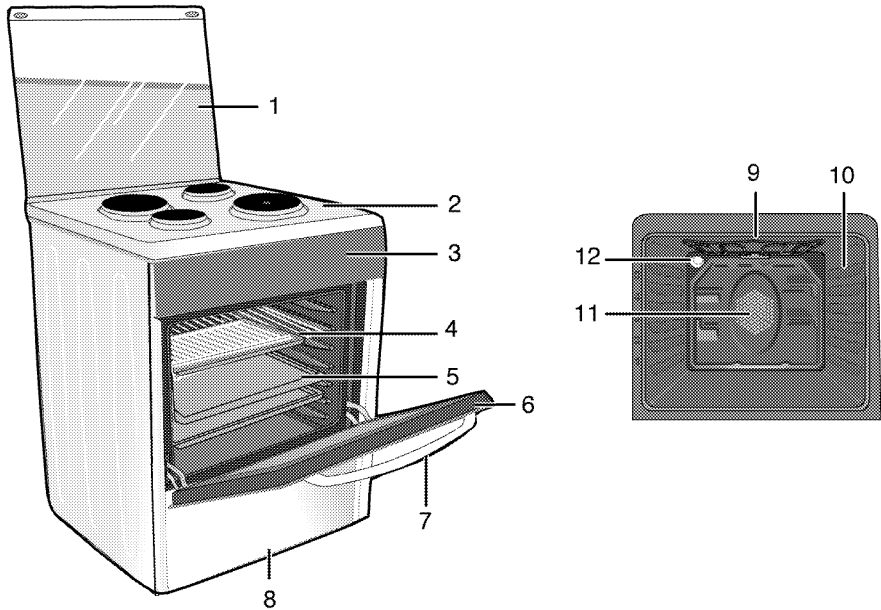
- Packaging materials of the product are manufactured from recyclable materials in accordance with our National Environment Regulations. Do not dispose of the packaging materials together with the domestic or other wastes. Take them to the packaging material collection points designated by the local authorities.

Future Transportation

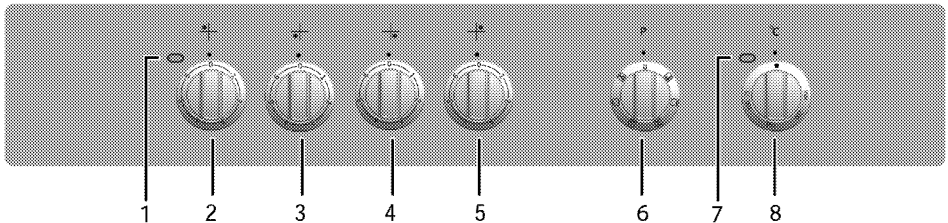
- Keep the product's original carton and transport the product in it. Follow the instructions on the carton. If you do not have the original carton, pack the product in bubble wrap or thick cardboard and tape it securely.
 - To prevent the wire grill and tray inside the oven from damaging the oven door, place a strip of cardboard onto the inside of the oven door that lines up with the position of the trays. Tape the oven door to the side walls.
 - Do not use the door or handle to lift or move the product.
-  Do not place any objects onto the product and move it in upright position.
 -  Check the general appearance of your product for any damages that might have occurred during transportation.

2 General information

Overview



- | | |
|-----------------|-----------------------------------|
| 1 Top lid | 7 Handle |
| 2 Burner plate | 8 Lower part |
| 3 Control panel | 9 Grill heating element |
| 4 Wire shelf | 10 Shelf positions |
| 5 Tray | 11 Fan motor (behind steel plate) |
| 6 Front door | 12 Lamp |



- | |
|------------------------|
| 1 Warning lamp |
| 2 Hotplate Rear left |
| 3 Hotplate Front left |
| 4 Hotplate Front right |
| 5 Hotplate Rear right |
| 6 Function knob |
| 7 Thermostat lamp |
| 8 Thermostat knob |

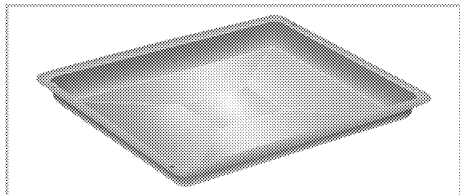
Package contents

i Accessories supplied can vary depending on the product model. Not every accessory described in the user manual may exist on your product.

1. **User manual**

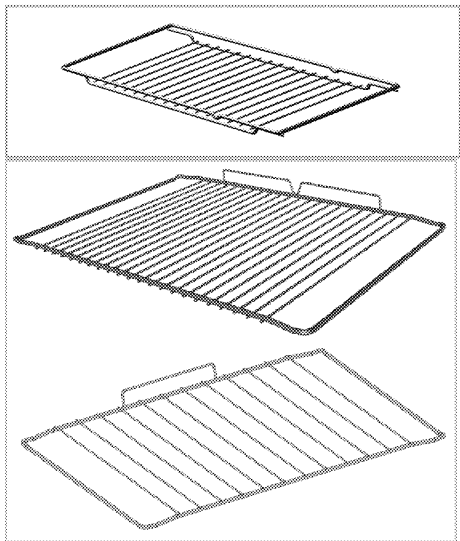
2. **Standard tray**

Used for pastries, frozen foods and big roasts.



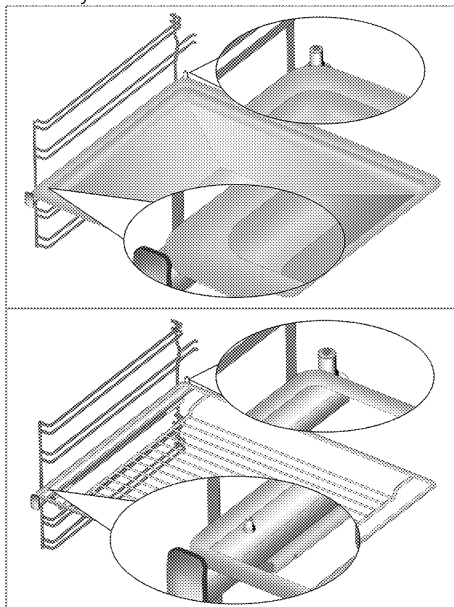
3. **Wire grill**

Used for roasting and for placing the food to be baked, roasted or cooked in casserole dishes to the desired rack.



4. **Placing the wire shelf and tray onto the telescopic racks properly**
(This feature is optional. It may not exist on your product.)

Telescopic racks allow you to install and remove the trays and wire shelf easily. When using the tray and wire shelf with telescopic racks, make sure that the pins at the rear section of the telescopic rack stands against the edges of the wire shelf and tray.





Technical specifications


GENERAL	
External dimensions (height / width / depth)	850 mm/500 mm/600 mm
Voltage / frequency	220-240 V/380-415 V ~ 3N 50 Hz
Total power consumption	7.5 kW
Cable type / section	min.H05VV-FG 5 x 1,5 mm ² / 3 x 2,5 mm ²
HOB	
Burners	
Rear left	Hotplate
Dimension	145 mm
Power	1000 W
Front left	Hotplate
Dimension	180 mm
Power	2000 W
Front right	Hotplate
Dimension	145 mm
Power	1000 W
Rear right	Hotplate
Dimension	180 mm
Power	1500 W
OVEN/GRILL	
Main oven	Fan assisted
Inner lamp	15 25 W
Grill power consumption	1.6 kW

Basics: Information on the energy label of electrical ovens is given in accordance with the EN 60350-1 / IEC 60350-1 standard. Those values are determined under standard load with bottom-top heater or fan assisted heating (if any) functions.

Energy efficiency class is determined in accordance with the following prioritization depending on whether the relevant functions exist on the product or not. 1-Cooking with eco-fan, 2- Turbo slow cooking, 3- Turbo cooking, 4- Fan assisted bottom/top heating, 5- Top and bottom heating.

 Technical specifications may be changed without prior notice to improve the quality of the product.

 Figures in this manual are schematic and may not exactly match your product.

 Values stated on the product labels or in the documentation accompanying it are obtained in laboratory conditions in accordance with relevant standards. Depending on operational and environmental conditions of the product, these values may vary.

3 Installation

Product must be installed by a qualified person in accordance with the regulations in force. The manufacturer shall not be held responsible for damages arising from procedures carried out by unauthorized persons which may also void the warranty.

i Preparation of location and electrical installation for the product is under customer's responsibility.

! The product must be installed in accordance with all local electrical regulations.

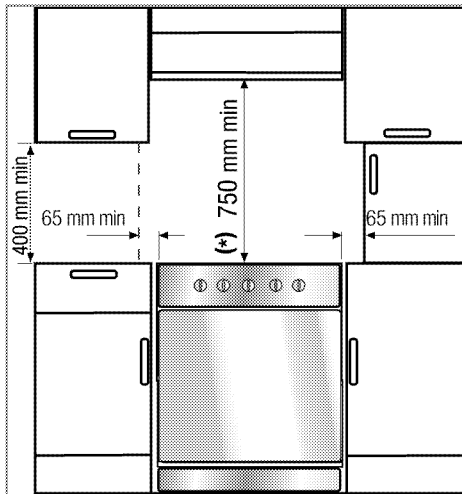
! Prior to installation, visually check if the product has any defects on it. If so, do not have it installed. Damaged products cause risks for your safety.

Before installation

To ensure that critical air gaps are maintained under the appliance, we recommend that this appliance is mounted on a solid base and that the feet do not sink into any carpet or soft flooring.

The kitchen floor must be able to carry the weight of the appliance plus the additional weight of cookware and bakeware and food. If the range is placed on a base, measures have to be taken to prevent the appliance slipping from the base.

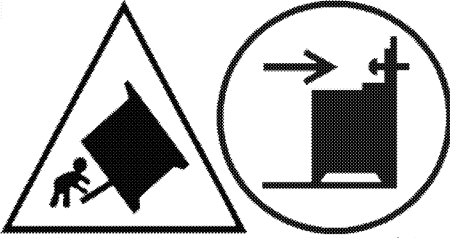
The appliances must not be installed behind a decorative door in order to avoid overheating.



- This product is a class 1 device according to EN 30-1-1 standard, i.e. it may be placed with the rear and **one** side to kitchen walls, kitchen furniture or equipment of any size. The kitchen furniture or equipment on the **other** side may only be of the same size or smaller.
- It can be used with cabinets on either side but in order to have a minimum distance of 400mm above hotplate level allow a side clearance of 65mm between the appliance and any wall, partition or tall cupboard.
- It can also be used in a free standing position. Allow a minimum distance of 750 mm above the hob surface.
- (*) If a cooker hood is to be installed above the cooker, refer to cooker hood manufacturer' instructions regarding installation height. If not defined any size in the hood manual, this height should be at least 650 mm.
- Any kitchen furniture next to the appliance must be heat-resistant (100 °C min.).



Warning - Risk of tipping!



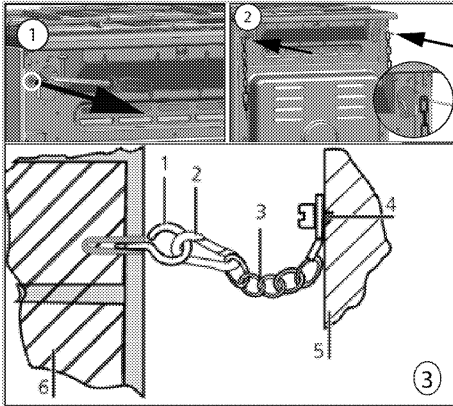
Warning: In order to prevent tipping of the appliance, this stabilizing means must be installed. Refer to the instructions for installation.

Safety chain

If your product has 2 safety chains;

The appliance must be secured against overbalancing by using the supplied two safety chains on your oven.

Fasten hook (1) by using a proper peg to the kitchen wall (6) and connect safety chain (3) to the hook via the locking mechanism (2).

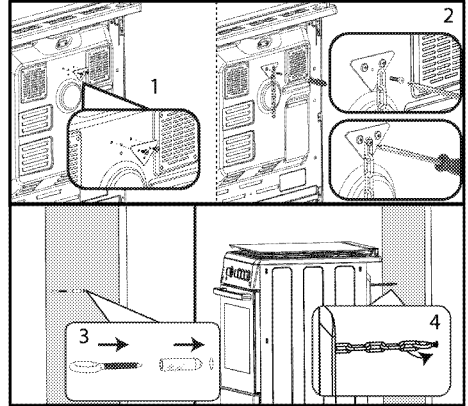


- 1 Stability hook
- 2 Locking mechanism
- 3 Safety chain (supplied and mounted to oven)
- 4 Firmly fix chain to cooker rear
- 5 Rear of cooker
- 6 Kitchen wall

If your product has 1 safety chain;

The appliance must be secured against overbalancing by using the supplied one safety chain on your oven.

Follow below steps in the picture to secure the safety chain to your product.



i Stability chain to be as short as practicable to avoid oven tilting forward and diagonal to avoid oven side tilting.

Cooker stability chain for cookers is not designed with bracket engagement slot.

Installation and connection

Product can only be installed and connected in accordance with the statutory installation rules.

i Do not install the product next to refrigerators or freezers. The heat emitted by the product will increase the energy consumption of cooling appliances.

- Carry the product with at least two persons.
- Product must be placed directly on the floor. It must not be placed onto a base or a pedestal.

i Do not use the door and/or handle to carry or move the product. The door, handle or hinges get damaged.

Electrical connection

Connect the product to a grounded outlet/line protected by a miniature circuit breaker of suitable capacity as stated in the "Technical specifications" table. Have the grounding installation made by a qualified electrician while using the product with or without a transformer. Our company shall

not be liable for any damages that will arise due to using the product without a grounding installation in accordance with the local regulations.

! The product must be connected to the mains supply only by an authorised and qualified person. The product's warranty period starts only after correct installation. Manufacturer shall not be held responsible for damages arising from procedures carried out by unauthorised persons.

! The power cable must not be clamped, bent or trapped or come into contact with hot parts of the product. A damaged power cable must be replaced by a qualified electrician. Otherwise, there is risk of electric shock, short circuit or fire!

The mains supply data must correspond to the data specified on the type label of the product. The rating plate is either seen when the door or the lower cover is opened or it is located at the rear wall of the unit depending on the unit type.

Power cable of your product must comply with the values in "Technical specifications" table.

! Before starting any work on the electrical installation, disconnect the product from the mains supply. There is the risk of electric shock!

Connecting the power cable

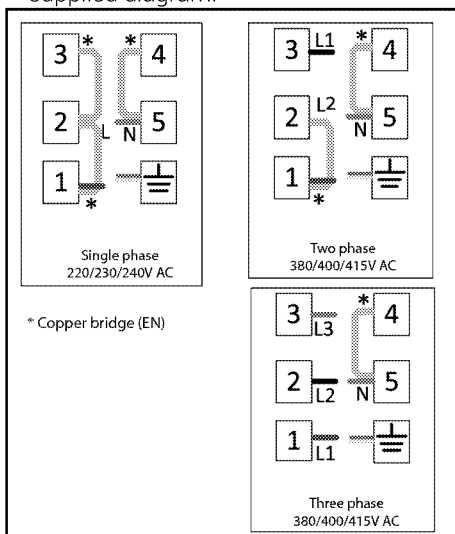
i While performing the wiring, you must apply with the national/local electrical regulations and must use the appropriate socket outlet/line and plug for oven. In case of the product's power limits are out of current carrying capability of plug and socket outlet/line, the product must be connected through fixed electrical installation directly without using plug and socket outlet/line.

1. **If a power cable is not supplied together with your product**, a power cable that you would select from the table (*Technical specifications, page 12*) in accordance with the electrical installation at your home must be connected to your product by following the instructions in cable diagram.

If it is not possible to disconnect all poles in the supply power, a disconnection unit with at least 3 mm contact clearance (fuses, line safety switches, contactors) must be connected and all the poles of this disconnection unit must be adjacent to (not above) the product in accordance with IEE directives. Failure to obey this instruction may cause operational problems and invalidate the product warranty.

i Additional protection by a residual current circuit breaker is recommended.

2. Open the terminal block cover with a screwdriver.
3. Insert the power cable through the cable clamp below the terminal and secure it to the main body with the integrated screw on cable clamping component.
4. Connect the cables according to the supplied diagram.



5. After completing the wire connections, close the terminal block cover.
6. Route the power cable so that it will not contact the product and get squeezed between the product and the wall.

i Power cable must not be longer than 2m because of safety reasons.

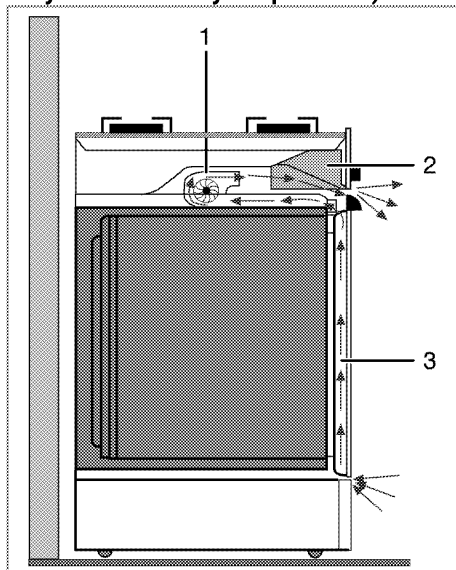
- Push the product towards the kitchen wall.

• **Adjusting the feet of oven**

Vibrations during use may cause cooking vessels to move. This dangerous situation can be avoided if the product is level and balanced.

For your own safety please ensure the product is level by adjusting the four feet at the bottom by turning left or right and align level with the work top.

For products with cooling fan (This may not exist on your product.)



- 1 Cooling fan
- 2 Control panel
- 3 Door

The cooling fan cools both the control panel and the front of the appliance.

i Cooling fan continues to run for up to 20-30 minutes (approx.) even after the oven is turned off.

Final check

1. Reconnect the product to the mains.
2. Check electrical functions.

4 Preparation


Tips for saving energy

The following information will help you to use your appliance in an ecological way, and to save energy:

- Use dark coloured or enamel coated cookware in the oven since the heat transmission will be better.
- While cooking your dishes, perform a preheating operation if it is advised in the user manual or cooking instructions.
- Do not open the door of the oven frequently during cooking.
- Try to cook more than one dish in the oven at the same time whenever possible. You can cook by placing two cooking vessels onto the wire shelf.
- Cook more than one dish one after another. The oven will already be hot.
- You can save energy by switching off your oven a few minutes before the end of the cooking time. Do not open the oven door.
- Defrost frozen dishes before cooking them.
- Use pots/pans with cover for cooking. If there is no cover, energy consumption may increase 4 times.
- Select the burner which is suitable for the bottom size of the pot to be used. Always select the correct pot size for your dishes. Larger pots require more energy.
- Pay attention to use flat bottom pots when cooking with electric hobs. Pots with thick bottom will provide a better heat conduction. You can obtain energy savings up to 1/3.
- Vessels and pots must be compatible with the hotplates. Bottom of the vessels or pots must not be smaller than the hotplate.
- Keep the hotplates and bottom of the pots clean. Dirt will decrease the heat conduction between the hotplate and bottom of the pot.
- For long cookings, turn off the hotplate 5 or 10 minutes before the end of cooking time. You can obtain energy savings up to 20% by using the residual heat.
- Information on energy efficiency according to EU 66/2014 can be found on the product fiche given with the product.

Initial use

First cleaning of the appliance

 The surface might get damaged by some detergents or cleaning materials.

Do not use aggressive detergents, cleaning powders/creams or any sharp objects during cleaning.

Do not use harsh abrasive cleaners or sharp metal scrapers to clean the oven door glass since they can scratch the surface, which may result in shattering of the glass.

1. Remove all packaging materials.
2. Wipe the surfaces of the appliance with a damp cloth or sponge and dry with a cloth.

Initial heating

Heat up the product for about 30 minutes and then switch it off. Thus, any production residues or layers will be burnt off and removed.



Hot surfaces cause burns!

Product may be hot when it is in use. Never touch the hot burners, inner sections of the oven, heaters and etc. Keep children away.

Always use heat resistant oven gloves when putting in or removing dishes into/from the hot oven.

Electric oven

1. Take all baking trays and the wire grill out of the oven.
2. Close the oven door.
3. Select Static position.
4. Select the highest grill power; See *How to operate the electric oven, page 21*.
5. Operate the oven for about 30 minutes.
6. Turn off your oven; See *How to operate the electric oven, page 21*

Grill oven

1. Take all baking trays and the wire grill out of the oven.
2. Close the oven door.
3. Select the highest grill power; see *How to operate the grill, page 24*.

4. Operate the grill about 15 minutes.
5. Turn off your grill; see *How to operate the grill, page 24*

Hot plate

1. Any production residues or conservation layers must be burnt before the first use. Operate the hotplate at middle temperature level for 8 minutes without any vessel on it. No pots or containers

should be placed onto the hotplate during this procedure.



Smoke and smell may emit for a couple of hours during the initial operation. This is quite normal. Ensure that the room is well ventilated to remove the smoke and smell. Avoid directly inhaling the smoke and the smell that emits.

5 How to use the hob

General information about cooking

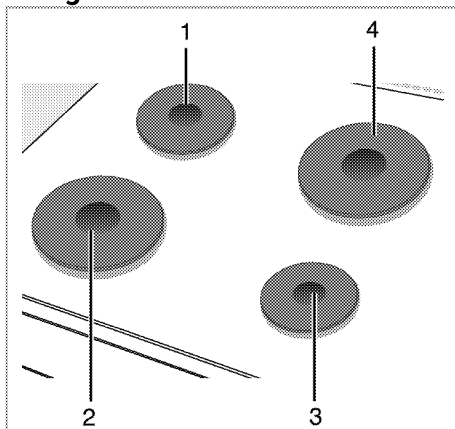


Never fill the pan with oil more than one third of it. Do not leave the hob unattended when heating oil. Overheated oils bring risk of fire.

Never attempt to extinguish a possible fire with water! When oil catches fire, cover it with a fire blanket or damp cloth. Turn off the hob if it is safe to do so and call the fire department.

- Before frying foods, always dry them well and gently place into the hot oil. Ensure complete thawing of frozen foods before frying.
- Do not cover the vessel you use when heating oil.
- Place the pans and saucepans in a manner so that their handles are not over the hob to prevent heating of the handles. Do not place unbalanced and easily tilting vessels on the hob.
- Do not place empty vessels and saucepans on cooking zones that are switched on. They might get damaged.
- Operating a cooking zone without a vessel or saucepan on it will cause damage to the product. Turn off the cooking zones after the cooking is complete.
- As the surface of the product can be hot, do not put plastic and aluminum vessels on it. Such vessels should not be used to keep foods either.
- Use flat bottomed saucepans or vessels only.
- Put appropriate amount of food in saucepans and pans. Thus, you will not have to make any unnecessary cleaning by preventing the dishes from overflowing. Do not put covers of saucepans or pans on cooking zones. Place the saucepans in a manner so that they are centered on the cooking zone. When you want to move the saucepan onto another cooking zone, lift and place it onto the cooking zone you want instead of sliding it.

Using the hobs



- 1 Hotplate 14-16 cm
- 2 Hotplate 18-20 cm
- 3 Hotplate 14-16 cm
- 4 Hotplate 18-20 cm is list of advised diameter of pots to be used on related burners.

Using hotplates

Hotplate knobs can be turned in both directions in a way that will provide temperature control in steps.



If the hob is equipped with hotplates featuring Booster function, relevant hotplate will be marked with a red dot.

Overheating protection

Hotplates that have a power above 1000 W are equipped with an overheating protection. Overheating protection decreases the power of the hotplate in following cases:

- There is no vessel or saucepan on the hotplate.
- There is an empty vessel or saucepan on the hotplate.
- The bottom of the vessel or saucepan is not flat.

Turning on the hotplates

Use hotplate knobs to operate the hotplates. Move the hotplate knobs to the relevant level in order to obtain the desired cooking level.

Cooking level	1	2 3	4 6
	warming	stewing, simmering	cooking, roasting, boiling

Turning off the hotplates

Turn the hotplate knob to OFF (upper) position.

6 How to operate the oven

General information on baking, roasting and grilling

- ⚠ Hot surfaces cause burns!
Product may be hot when it is in use. Never touch the hot burners, inner sections of the oven, heaters and etc. Keep children away.
Always use heat resistant oven gloves when putting in or removing dishes into/from the hot oven.

- ⚠ Be careful when opening the oven door as steam may escape.
Exiting steam can scald your hands, face and/or eyes.

Tips for baking

- Use non-sticky coated appropriate metal plates or aluminum vessels or heat-resistant silicone moulds.
- Make best use of the space on the rack.
- Place the baking mould in the middle of the shelf.
- Select the correct rack position before turning the oven or grill on. Do not change the rack position when the oven is hot.
- Keep the oven door closed.

Tips for roasting

- Treating whole chicken, turkey and large piece of meat with dressings such as lemon juice and black pepper before cooking will increase the cooking performance.
- It takes about 15 to 30 minutes longer to roast meat with bones when compared to roasting the same size of meat without bones.
- Each centimeter of meat thickness requires approximately 4 to 5 minutes of cooking time.
- Let meat rest in the oven for about 10 minutes after the cooking time is over. The juice is better distributed all over the roast and does not run out when the meat is cut.
- Fish should be placed on the middle or lower rack in a heat-resistant plate.

Tips for grilling

When meat, fish and poultry are grilled, they quickly get brown, have a nice crust and do not get dry. Flat pieces, meat skewers and sausages are particularly suited for grilling as are vegetables with high water content such as tomatoes and onions.

- Distribute the pieces to be grilled on the wire shelf or in the baking tray with wire shelf in such a way that the space covered does not exceed the size of the heater.
- Slide the wire shelf or baking tray with grill into the desired level in the oven. If you are grilling on the wire shelf, slide the baking tray to the lower rack to collect fats. The baking tray to be slid must be of a size that covers the whole grilling area. This tray might not be provided with the product. Add some water in the baking tray for easy cleaning.

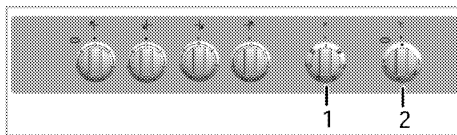


Foods that are not suitable for grilling carry the risk of fire. Only grill food which is suitable for intensive grilling heat.

Do not place the food too far in the back of the grill. This is the hottest area and fatty food may catch fire.

How to operate the electric oven

Select temperature and operating mode



- 1 Function knob
 - 2 Thermostat knob
1. Set the Function knob to the desired operating mode.
 2. Set the Temperature knob to the desired temperature.
» Oven heats up to the adjusted temperature and maintains it. During heating, temperature lamp stays on.

Switching off the electric oven

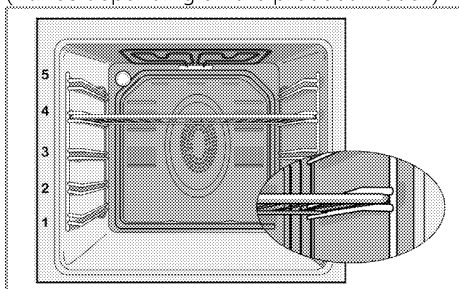
Turn the function knob and temperature knob to off (upper) position.

Rack positions (For models with wire shelf)

It is important to place the wire shelf onto the side rack correctly. Wire shelf must be inserted between the side racks as illustrated in the figure.

Do not let the wire shelf stand against the rear wall of the oven. Slide your wire shelf to the front section of the rack and settle it with the help of the door in order to obtain a good grill performance.

(Varies depending on the product model.)



Operating modes

The order of operating modes shown here may be different from the arrangement on your product.

Top and bottom heating



Top and bottom heating are in operation. Food is heated simultaneously from the top and bottom. For example, it is suitable for cakes, pastries, or cakes and casseroles in baking moulds. Cook with one tray only.

Bottom heating



Only bottom heating is in operation. It is suitable for pizza and for subsequent browning of food from the bottom.



This function must be used for easy steam cleaning as well.

Fan supported bottom/top heating



Top heating, bottom heating plus fan (in the rear wall) are in operation. Hot air is evenly distributed throughout the oven rapidly by means of the fan. Cook with one tray only.

Full grill



Large grill at the ceiling of the oven is in operation. It is suitable for grilling large amount of meat.

- Put big or medium-sized portions in correct rack position under the grill heater for grilling.
- Turn the food after half of the grilling time.

Grill+Fan



Grilling effect is not as strong as in Full Grill

- Put small or medium-sized portions in correct shelf position under the grill heater for grilling.
- Turn the food after half of the grilling time.

Booster



This function is used to heat the oven rapidly; it is not suitable for cooking food.













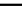


- Select the desired temperature after selecting this function. Temperature light turns on and oven is heated.
- Light turns off after the heating process is completed. Now select the desired function to cook your food.

Cooking times table

i The timings in this chart are meant as a guide. Timings may vary due to temperature of food, thickness, type and your own preference of cooking.

Baking and roasting

i 1st rack of the oven is the **bottom** rack.

Dish	Cooking level number	Operating mode	Rack position	Temperature (°C)	Cooking time (approx. in min.)
**Cakes in tray	One level		3	175	30 ... 45
**Cakes in mould	One level		3	175	30 ... 50
**Cakes in cooking paper	One level		3	160 ... 170	20 ... 30
**Sponge cake	One level		3	180 ... 200	10 ... 20
**Cookies	One level		3	160 ... 170	20 ... 30
**Dough pastry	One level		3	200	20 ... 30
**Rich pastry	One level		3	190	25 ... 35
**Leaven	One level		3	190	20 ... 40
**Lasagna	One level		2	180	25 ... 45
**Pizza	One level		2	200	15 ... 25
Beef steak (whole) / Roast	One level		2	25 min. 220, then 180 ... 190	80 ... 100
Leg of Lamb (casserole)	One level		2	25 min. 220, then 180 ... 190	60 ... 90
Roasted chicken	One level		2	15 min. 250/max, then 190	55 ... 65
Turkey (Sliced)	One level		2	25 min. 250/max, then 190	60 ... 100
Fish	One level		3	200	20 ... 30

(**) In a cooking that requires preheating, preheat at the beginning of cooking until the oven reached to adjusted temperature.

Tips for baking cake

- If the cake is too dry, increase the temperature by 10°C and decrease the cooking time.
- If the cake is wet, use less liquid or lower the temperature by 10°C.
- If the cake is too dark on top, place it on a lower rack, lower the temperature and increase the cooking time.
- If cooked well on the inside but sticky on the outside use less liquid, lower the temperature and increase the cooking time.

Tips for baking pastry

- If the pastry is too dry, increase the temperature by 10°C and decrease the cooking time. Dampen the layers of

dough with a sauce composed of milk, oil, egg and yoghurt.

- If the pastry takes too long to bake, pay care that the thickness of the pastry you have prepared does not exceed the depth of the tray.
- If the upper side of the pastry gets browned, but the lower part is not cooked, make sure that the amount of sauce you have used for the pastry is not too much at the bottom of the pastry. Try to scatter the sauce equally between the dough layers and on the top of pastry for an even browning.

i Cook the pastry in accordance with the mode and temperature given in the cooking table. If the bottom part is still not browned enough, place it on one lower rack next time.

Tips for cooking vegetables

- If the vegetable dish runs out of juice and gets too dry, cook it in a pan with a lid instead of a tray. Closed vessels will preserve the juice of the dish.
- If a vegetable dish does not get cooked, boil the vegetables beforehand or prepare them like canned food and put in the oven.

How to operate the grill



Close oven door during grilling.
Hot surfaces may cause burns!

Switching on the grill

1. Turn the Function knob to the desired grill symbol.
2. Then, select the desired grilling temperature.

Grilling with electric grill

3. If required, perform a preheating of about 5 minutes.

» Temperature light turns on.

Switching off the grill

1. Turn the Function knob to Off (top) position.



Foods that are not suitable for grilling carry the risk of fire. Only grill food which is suitable for intensive grilling heat.

Do not place the food too far in the back of the grill. This is the hottest area and fatty food may catch fire.

Cooking times table for grilling

Food	Accessory to use	Rack position	Recommended temperature (°C)**	Cooking time (approx. in min.)
Fish	Wire grill	4...5	250/max	20...25 min. #
Sliced chicken	Wire grill	4...5	250/max	25...35 min.
Lamb chops	Wire grill	4...5	250/max	20...25 min.
Roast beef	Wire grill	4...5	250/max	25...30 min. #
Veal chops	Wire grill	4...5	250/max	25...30 min. #
Toast bread*	Wire grill	4	250/max	1...3 min.

#depending on thickness

*Preheat for 5 minutes

**If the grill temperature of your product cannot be adjusted, the grill will work at the recommended temperature.

Meals in this cooking table are prepared according to EN 60350-1 to make it easier for control institutes to test the product.

Food	Accessory to use	Rack position	Temperature (°C)	Cooking time (approx. in min.)
Toast bread	Wire grill	4	250/max	1...3 min.
Meatballs (beef) - 12 pieces	Wire grill	4	250/max	25...35 min.

Turn the food after 2/3 of the total grilling time.

It is suggested to perform 5 minutes preheating for all foods broiling.

7 Maintenance and care

General information

Service life of the product will extend and the possibility of problems will decrease if the product is cleaned at regular intervals.

! Disconnect the product from mains supply before starting maintenance and cleaning works.
There is the risk of electric shock!

! Allow the product to cool down before you clean it.
Hot surfaces may cause burns!

- Clean the product thoroughly after each use. In this way it will be possible to remove cooking residues more easily, thus avoiding these from burning the next time the appliance is used.
- No special cleaning agents are required for cleaning the product. Use warm water with washing liquid, a soft cloth or sponge to clean the product and wipe it with a dry cloth.
- Always ensure any excess liquid is thoroughly wiped off after cleaning and any spillage is immediately wiped dry.
- Do not use cleaning agents that contain acid or chloride to clean the stainless or inox surfaces and the handle. Use a soft cloth with a liquid detergent (not abrasive) to wipe those parts clean, paying attention to sweep in one direction.
- **(This feature is optional. It may not exist on your product.)**
Do not use solid metal scrapers or abrasive cleaning materials to clean the glass cover. Glass surface can get damaged.

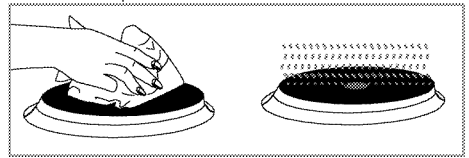
i The surface might get damaged by some detergents or cleaning materials.
Do not use aggressive detergents, cleaning powders/creams or any sharp objects during cleaning.
Do not use harsh abrasive cleaners or sharp metal scrapers to clean the oven door glass since they can scratch the surface, which may result in shattering of the glass.

i Do not use steam cleaners to clean the appliance as this may cause an electric shock.

Cleaning the hob

Electric hobs

1. Turn off the hotplates and wait until they cool down.
2. If necessary, clean the hotplates with a cleaning agent (you can obtain cleaners/softeners from specialty stores).
3. Warm only for a few minutes after cleaning in order to have their top section dried.
4. Apply a thin layer of machine oil onto the top surface of the hotplate regularly in order to protect it.



Cleaning the control panel

Clean the control panel and knobs with a damp cloth and wipe them dry.

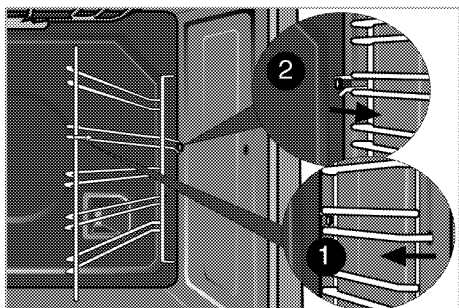
i If your product is equipped with buttons/knobs do not remove the control buttons/knobs to clean the control panel.
Control panel may get damaged!

Cleaning the oven

To clean the side wall (Varies depending on the product model.)

(This feature is optional. It may not exist on your product.)

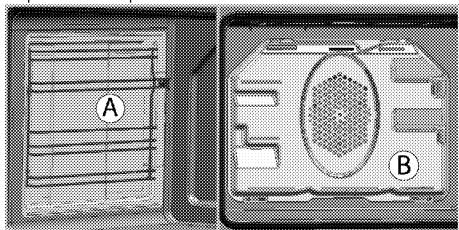
1. Remove the front section of the side rack by pulling it in the opposite direction of the side wall.
2. Remove the side rack completely by pulling it towards you.



Catalytic walls

(This feature is optional. It may not exist on your product.)

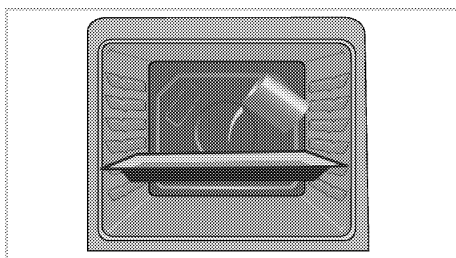
The inner side walls (A) and/or the rear wall (B) of your product may be coated with catalytic enamel. Catalytic walls have a light matte colour and a porous surface. Catalytic walls of the oven should not be cleaned. Thanks to their perforated structure, catalytic surfaces absorb grease and once the surface is filled with grease, they start to shine. In this case, it is recommended to replace the parts.



Easy Steam Cleaning

It ensures easy cleaning because the dirt (having waited not for too long) is softened with the steam that forms inside the oven and the water drops condensing on the inner surfaces of the oven.

1. Remove all accessories inside the oven.
2. Pour 300 ml of water into the oven tray and place the tray at the 2nd rack of the oven.



3. Set the oven to easy steam cleaning mode and run at 100°C for 25 minutes.
4. Open the door and wipe the inner surfaces of the oven with a damp sponge or cloth.
5. Use warm water with washing liquid, a soft cloth or sponge to clean the persistent dirt and wipe it with a dry cloth.

i During the easy steam cleaning mode, water that is placed in the tray to soften lightly formed residues/dirt within the oven cavity will evaporate and condense in the oven cavity and inner glass of the oven door, therefore water may drip when the oven door is opened. Wipe away the condensation as soon as the oven door is opened.

Clean oven door

To clean the oven door, use warm water with washing liquid, a soft cloth or sponge to clean the product and wipe it with a dry cloth.

Wipe the glass with vinegar and then rinse it against lime residues that may occur on the oven glass.

i Don't use any harsh abrasive cleaners or sharp metal scrapers for cleaning the oven door. They could scratch the surface and destroy the glass.

Cleaning the oven door

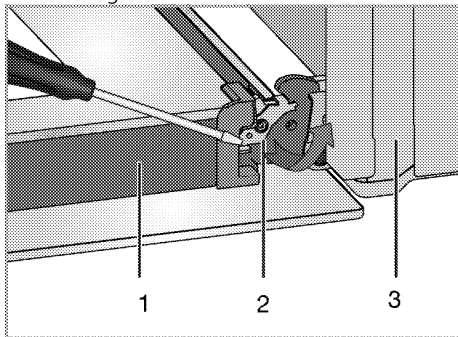
i Do not use harsh abrasive cleaners, metal scrapers, wire wool or bleach materials to clean the oven door and glass.

You can remove your oven door and door glasses to clean them. How to remove the

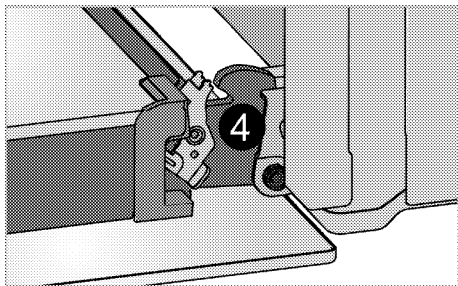
doors and windows is explained in the sections "Removing the oven door" and "Removing the inner glasses of the door". After removing the door inner glasses, clean them using a dishwashing detergent, warm water and a soft cloth or sponge and dry them with a dry cloth. Wipe the glass with vinegar and then rinse it against lime residues that may occur on the oven glass.

Removing the oven door

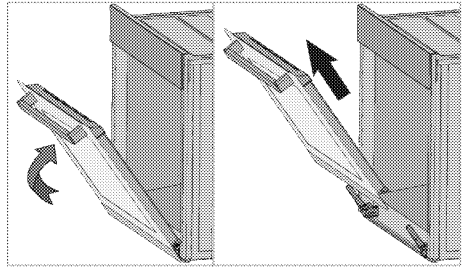
1. Open the front door (1).
2. Open the clips at the hinge housing (2) on the right and left hand sides of the front door by pressing them down as illustrated in the figure.



- 1 Door
- 2 Hinge lock(closed position)
- 3 Oven
- 4 Hinge lock(open position)



3. Move the front door to half-way.



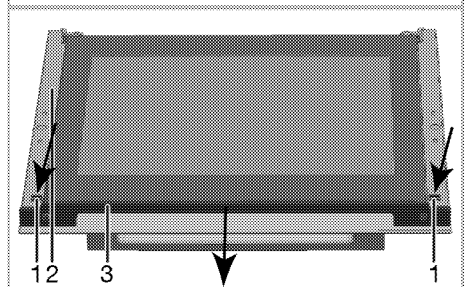
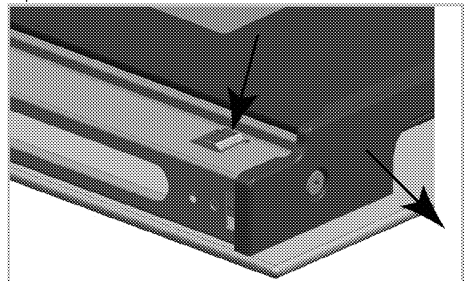
4. Remove the front door by pulling it upwards to release it from the right and left hinges.

i Steps carried out during removing process should be performed in reverse order to install the door. Do not forget to close the clips at the hinge housing when reinstalling the door.

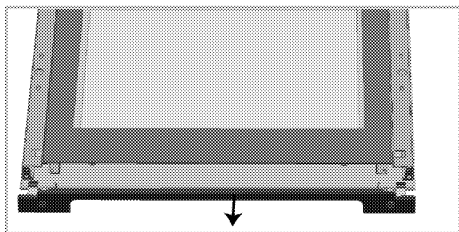
Removing the door inner glass (This feature is optional. It may not exist on your product.)

The inner glass panel of the oven door can be removed for cleaning.

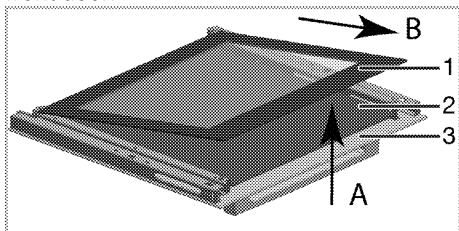
Open the oven door.



- 1 Tab
- 2 Frame
- 3 Profile

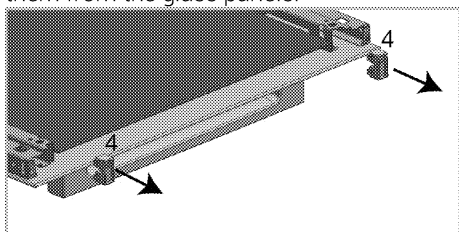


As illustrated in the figures above, press on the tabs (1) and pull the profile (3) towards yourself simultaneously to remove the profile attached to the upper side of the front door.



- 1 Innermost glass panel
- 2 Inner glass panel*
- 3 Outer glass panel
- * (This may not exist on your product.)

As illustrated in the figure, raise the innermost glass panel (1) slightly in direction 'A' and pull it out in direction 'B'. If your product is equipped with an inner glass panel; Pull the glass holder connecting elements in the middle as illustrated in the figure to free them from the glass panels.

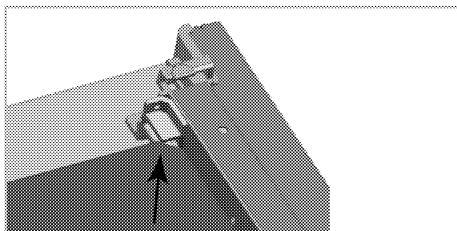


- 4 Glass holder connecting element*
- * (This may not exist on your product.)

Repeat the same procedure to remove the inner glass panel (2). The first step to regroup the door is reinstalling inner glass panel (2).

As illustrated in the figure, place the glass panel so that it is inserted to the plastic slot.

i Otherwise the glass panel will not seat completely and may get exposed to vibration and break.



When installing the innermost glass panel (1), make sure that the printed side of the panel faces towards the inner glass panel. It is important that the lower corners of the innermost glass panel are seated into the plastic slots.

i Otherwise the glass panel will not seat completely and may get exposed to vibration and break.

Please remember to place the glass holding connecting parts into their slots.

Finally, press on the tabs of the profile to make them seat into their slots again.

Replacing the oven lamp

! Before replacing the oven lamp, make sure that the product is disconnected from mains and cooled down in order to avoid the risk of an electrical shock. Hot surfaces may cause burns!

i In this oven, an incandescent lamp with a power of less than 40 W, a height of less than 60 mm, a diameter of less than 30 mm or a halogen lamp with socket type G9, a power of less than 60 W is used. The lamps are suitable for operation at temperatures above 300 °C. Oven lamps can be obtained from Authorised Service Agents or technician with licence. This product contains a lamp of energy class G.

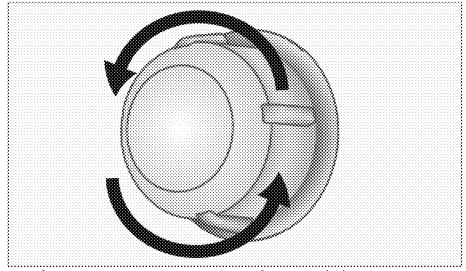
i Position of lamp might vary from the figure.

i The lamp used in this appliance is not suitable for household room illumination. The intended purpose of this lamp is to assist the user to see foodstuffs.

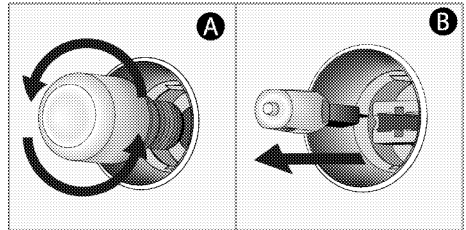
i The lamps used in this appliance have to withstand extreme physical conditions such as temperatures above 50 °C.

If your oven is equipped with a round lamp:

1. Disconnect the product from mains.
2. Turn the glass cover counter clockwise to remove it.



3. If your oven lamp is of type (A) shown in the figure below, remove it by rotating as shown and replace it. If it is of type (B), pull and remove it as shown in the figure and replace it.



4. Install the glass cover.

8 Troubleshooting

Oven emits steam when it is in use.

- It is normal that steam escapes during operation. >>> *This is not a fault.*

Product emits metal noises while heating and cooling.

- When the metal parts are heated, they may expand and cause noise. >>> *This is not a fault.*

Product does not operate.

- The mains fuse is defective or has tripped. >>> *Check fuses in the fuse box. If necessary, replace or reset them.*
- Product is not plugged into the (grounded) socket. >>> *Check the plug connection.*

Oven light does not work.

- Oven lamp is defective. >>> *Replace oven lamp.*
- Power is cut. >>> *Check if there is power. Check the fuses in the fuse box. If necessary, replace or reset the fuses.*

Oven does not heat.

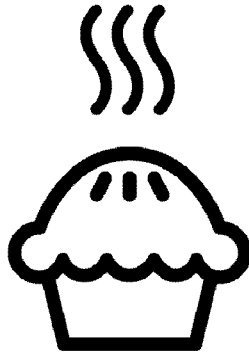
- Might not be set to a certain cooking function and/or temperature. >>> *Set the oven to a certain cooking function and/or temperature.*
- Power is cut. >>> *Check if there is power. Check the fuses in the fuse box. If necessary, replace or reset the fuses.*

i Consult the Authorised Service Agent or technician with licence or the dealer where you have purchased the product if you can not remedy the trouble although you have implemented the instructions in this section. Never attempt to repair a defective product yourself.

beko

Pećnica

Uputstvo za upotrebu



BS



RECIKLIRANI I
RECIKLABILNI PAPIR

Molimo prvo pročitajte ovaj priručnik za korisnika!

Poštovani Korisniče,

Hvala vam što ste izabrali Beko proizvod. Nadamo se da ćete uživati u najboljim rezultatima vašeg proizvoda koji je proizveden pomoću najmodernije tehnologije visoke kvalitete. Stoga, molimo vas pažljivo pročitajte ovaj cijeli priručnik za korisnika i sve druge prateće dokumente prije upotrebe proizvoda i čuvajte ih kao referencu za buduću upotrebu. Ako uručite ovaj proizvod nekom drugom, također mu/joj predajte i ovaj priručnik za korisnika. Slijedite sva upozorenja i informacije u ovom priručniku za korisnika.

Zapamtite da se ovaj priručnik za korisnika može primijeniti i za nekoliko drugih modela. Razlike između modela će biti identifikovane u ovim uputstvima.

Pojašnjenje simbola

Sljedeći simboli su korišteni u ovom priručniku za korisnika:



Važne informacije ili korisni savjeti za upotrebu.



Upozorenje za opasne situacije po pitanju života i imovine.



Upozorenje u vezi elektro šoka.



Upozorenje u vezi rizika od požara.



Upozorenje na vruće površine.



Arçelik A.Ş.
Karaağaç caddesi No:2-6
34445 Sütlüce/Istanbul/TURKEY
Made in TURKEY

1 Važna uputstva i upozorenja za sigurnost i okoliš 4

Opće mjere sigurnosti	4
Električna sigurnost	5
Sigurnost proizvoda	6
Predviđena upotreba	8
Sigurnost za djecu	9
Odlaganje starog proizvoda	9
Odlaganje materijala za pakovanje	9
Odlaganje starog proizvoda	9

2 Opće informacije 11

Pregled	11
Sadržaj pakovanja	12
Tehničke specifikacije	13

3 Instalacija 14

Prije instalacije	14
Instalacija i povezivanje	15

4 Priprema 18

Savjeti za uštedu energije	18
Prva upotreba	18
Prvo čišćenje uređaja	18
Početno zagrijavanje	18

5 Kako koristiti ploču za kuhanje20

Opšte informacije o kuhanju	20
Upotreba ploče za kuhanje	20

6 Kako rukovati pećnicom 22

Opće informacije o pečenju, prženju i roštiljanju	22
Kako rukovati električnom pećnicom	22
Načini rada	23
Tabela vremena kuhanja	24
Kako rukovati roštiljom	25
Vrijeme pripremanja hrane korištenjem funkcije roštilja	25

7 Održavanje i njega 26

Opšte informacije	26
Čišćenje ploče za kuhanje	26
Čišćenje kontrolne ploče	26
Čišćenje pećnice	26
Čišćenje vrata rerne	28
Uklanjanje unutrašnjeg stakla na vratima	28
Zamjena svjetla u pećnici	30

8 Rješavanje problema 31

1 Važna uputstva i upozorenja za sigurnost i okoliš

Ovaj odjeljak sadrži sigurnosna uputstva koja će vam pomoći da se zaštitite od rizika od lične povrede ili oštećenja imovine. Ne pridržavanje ovih uputstava će poništiti svaku garanciju.

Opće mjere sigurnosti

- Ovaj uređaj mogu koristiti djeca dobi od 8 godina i starija kao i osobe sa reduciranim fizičkim, čulnim ili mentalnim sposobnostima ili sa nedostatkom iskustva i znanja ukoliko im je obezbijeđen nadzor ili uputstvo u vezi upotrebe uređaja na bezbjedan način i razumijevanja opasnosti koje mogu biti uključene. Djeca se ne smiju igrati sa uređajem. Djeca bez nadzora ne smiju obavljati radnje oko čišćenja i održavanja.
- Uređaj nije namijenjen za upotrebu od strane osoba (uključujući djecu) sa smanjenim fizičkim, osjetilnim ili mentalnim sposobnostima ili s nedostatkom iskustva i znanja, osim ako su pod nadzorom ili ako su

instruirani po pitanju upotrebe uređaja.

Djeca koju nadgledate ne smiju se igrati s uređajem.

- Ako je proizvod uručen nekom drugom za ličnu upotrebu ili da se koristi kao rabljeni proizvod, takođe treba uručiti priručnik za korisnika, oznake proizvoda i druge relevantne dokumente kao i dijelove proizvoda .
- Nikada ne postavljajte proizvod na tepih-pokrivene podove. U spurotnom, manjak protoka zraka ispod proizvoda će prouzrokovati pregrijavanje električnih dijelova. To će prouzrokovati probleme s vašim proizvodom.
- Postupke ugradnje i opravke uvijek moraju izvoditi ovlašteni serviseri. Proizvođač se neće držati odgovornim za oštećenja nastala usljed procedura koje su izvodile neovlaštene osobe što takođe može prouzrokovati da garancija bude nevažeća. Prije ugradnje, pažljivo pročitajte uputstva.

- Nemojte koristiti uređaj ukoliko je u kvaru ili ako na njemu ima vidljivih oštećenja.
 - Uvjerite se da su funkcijske tipke proizvoda isključene nakon svake upotrebe.
- Električna sigurnost**
- Ukoliko proizvod ima grešku, ne bi trebalo njim rukovati dok se greška ne popravi od strane zastupnika iz ovlaštenog servisa. Postoji rizik od elektro šoka!
 - Proizvod spojite samo na uzemljeni izlaz/vod s naponom i zaštitu kao što je specificirano u odjeljku "Tehničke specifikacije". Neka uzemljenje izvrši kvalifikovani električar dok se proizvod koristi sa ili bez transformatora. Naša kompanija neće biti odgovorna za bilo kakve probleme nastale zbog toga što proizvod nije bio uzemljen u skladu sa lokalnim regulativama.
 - Nikada ne perite proizvod poljevanjem ili posipanjem vode po njemu! Postoji rizik od elektro šoka!
 - Proizvod mora biti iskopčan za vrijeme ugradnje, održavanja, čišćenja i popravke.
 - Ako je napojni kabal za priključivanje proizvoda oštećen, isti se mora zamijeniti od strane proizvođača, njegovog zastupnika ili sličnih kvalifikovanih osoba da bi se izbjegli neželjeni rizici.
 - Koristite samo kabal za priključivanje koji je specificiran u odjeljku "Tehničke specifikacije".
 - Uređaj mora biti ugrađen tako da se može u potpunosti iskopčati sa mreže. Separacija mora biti obezbijedena bilo pomoću glavnog utikača, bilo pomoću sklopke ugrađene u fiksnu električnu instalaciju, u skladu sa konstrukcionim propisima.
 - Stražnja površina pećnice zagrije se prilikom korištenja. Budite sigurni da električni priključak nema kontakta sa stražnjom površinom; u suprotnom, spoj se može oštetiti.
 - Nemojte dozvoliti da se napojni kabal zaglavi između vrata pećnice i okvira i nemojte voditi kabal preko toplih površina. U suprotnom, izolacija kabla bi se mogla istopiti što može izazvati

požar kao rezultat kratkog spoja.

- Sve radove na električnoj opremi i sistemima trebaju izvoditi samo ovlaštene i kvalificirane osobe.
- U slučaju bilo kakvog oštećenja, isključite uređaj i iskopčajte ga sa napajanja. Da biste ovo uradili, isključite osigurač u kući.
- Provjerite da je jačina osigurača kompatibilna sa vašim proizvodom.

Sigurnost proizvoda

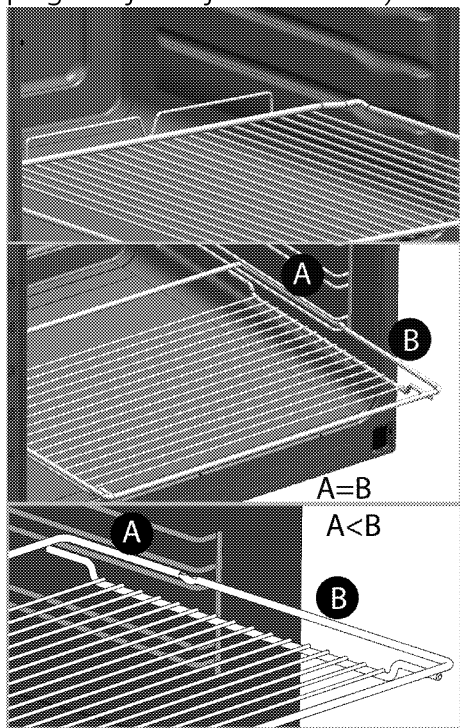
- **UPOZORENJE:** Uređaj i njegovi dostupni dijelovi postaju vrela za vrijeme upotrebe. Potrebno je voditi računa da bi se izbjeglo dodirivanje grijnih elemenata. Djecu mlađu od 8 godina treba držati dalje od uređaja ukoliko nisu pod stalnim nadzorom.
- Osobe čije su prosudbe ili koordinacija smanjene pod uticajem alkohola i/ili droga ne smiju koristiti uređaj.
- Budite oprezni kada koristite alkoholna pića u vašem posuđu. Alkohol isparava na visokim temperaturama i može izazvati požar jer se zapali kada stupi u kontakt sa vrućim površinama.
- Nemojte stavljati nikakve zapaljive materijale u blizini proizvoda jer i bočne strane mogu postati vruće tokom upotrebe.
- Uređaj postaje vruć za vrijeme upotrebe. Potrebno je voditi računa da bi se izbjeglo dodirivanje grijnih elemenata unutar pećnice.
- Držite sve otvore za ventilaciju očišćenim od prepreka.
- Nemojte zagrijavati zatvorene konzerve niti staklene posude u pećnici. Pritisak koji se može stvoriti u tim konzervama/posudama može dovesti do njihovog pucanja.
- Nemojte stavljati pladnjeve za pečenje, posuđe ili aluminijsku foliju direktno na dno pećnice. Akumuliranje toplote moglo bi uzrokovati oštećenja na dnu pećnice.
- Nemojte koristiti gruba abrazivna sredstva za čišćenje ili oštre metalne strugače da čistite staklo na vratima pećnice jer oni mogu izgubiti površinu, što može rezultirati lomom na staklu.
- Nemojte koristiti čistače na paru da čistite uređaj jer bi to

moglo prouzrokovati strujni udar.

- (Varira u ovisnosti od modela proizvoda.)

Ispravno postavljanje žičanog nosača i pladnja na stalke za rešetku

Važno je da se žičana rešetka i/ili pladanj postave ispravno na stalak. Umetnite žičanu rešetku ili pladanj između 2 tračnice i osigurajte da bude uravnoteženo prije nego stavite hranu na to (Molimo pogledajte slijedeću sliku).



- Nemojte koristiti proizvod ukoliko je staklo na prednjim

vratima uklonjeno ili slomljeno.

- Uvijek koristite rukavice za pećnicu otporne na vrućinu kada stavljate ili uklanjate posuđe u/iz vrele pećnice.
- Postavite papir za pečenje u posudu za kuhanje ili na dodatnu opremu pećnice (pladanj, žičanu rešetku itd.) zajedno s hranom i potom ubacite sve u prethodno zagrijanu pećnicu. Uklonite višak dijelova papira za pečenje koji se preljeva izvan dodatne opreme ili posude da bi se spriječio rizik dodirivanja grijnih elemenata pećnice. Nikada ne koristite papir za pečenje na radnoj temperaturi koja je viša od naznačene vrijednosti za papir za pečenje. Nemojte stavljati papir za pečenje direktno na bazu pećnice.
- **UPOZORENJE:** Prije zamjene lampice, uvjerite se da je napojni kabl uređaja isključen iz utičnice ili da je automatska sklopka isključena kako biste izbjegli mogućnost strujnog udara.
- Nemojte zatvarati poklopac sve dok se kola na ploči za kuhanje ili gornjaci ne ohlade.

Posušite poklopac prije nego ga otvorite kako biste izbjegli curenje vode na stražnjim ili unutrašnjim dijelovima uređaja.

- Uređaj ne smije biti instaliran iza dekorativnih vrata kako bi se izbjeglo pregrijavanje.
- Proizvod se mora postaviti direktno na pod. Ne smije se stavljati na neku podlogu ili postolje.
- **UPOZORENJE:** Kuhanje bez nadzora na ploči za kuhanje sa masnoćom ili uljem može biti opasno i može izazvati požar. NIKADA ne pokušavajte gasiti vatru vodom, nego isključite uređaj i potom pokrijte plamen sa, npr. poklopcem ili dekom.
- **OPREZ:** Proces kuhanja se mora nadgledati. Kratkotrajni proces kuhanja se mora neprestano nadgledati.
- **UPOZORENJE:** Opasnost od požara: Nemojte ostavljati stvari na površinama za kuhanje.
- Uređaj nije namijenjen za rukovanje sredstvima nekog eksternog programatora ili posebnog sistema daljinskog upravljača.
- **UPOZORENJE:** Koristite samo štitnike ploče za kuhanje dizajnirane od

strane proizvođača uređaja za kuhanje ili one koji su naznačeni od strane proizvođača uređaja u uputstvima za upotrebu kao pogodne za štitnike ploče za kuhanje, ugrađene u uređaj. Korištenje neadekvatnih štitnika može prouzrokovati nezgode.

Za sigurnost od požara na proizvodu;

- Provjerite da li utikač odgovara utičnici kao i to da ne uzrokuje iskrenje.
- Ne upotrebljavajte oštećen ili sječen ili produžni kabal osim originalnog kabla.
- Budite sigurni da tečnost ili vlaga na utičnici ne dospiju u proizvod preko utikača.

Predviđena upotreba

- Ovaj proizvod je dizajniran za upotrebu u domaćinstvu. Komercijalna upotreba nije dopuštena.
- **OPREZ:** Ovaj uređaj je samo za kuhanje. On se ne smije koristiti u druge svrhe, na primjer grijanje prostorije.
- Uređaj se ne smije koristiti za zagrijavanje tanjira ispod roštilja, sušenje peškira ili krpa itd. vješanjem istih na ručkama kao ni u svrhu zagrijavanja.

- Proizvođač nije odgovoran za bilo kakve štete uzrokovane nepropisnim korištenjem ili greškama pri rukovanju.
- Uređaj se može koristiti za odmrzavanje, pečenje, prženje i roštiljanje hrane.

Sigurnost za djecu

- **UPOZORENJE:** Pristupačni dijelovi mogu postati vrući tokom upotrebe. Malu djecu treba držati dalje od uređaja.
- Ambalažni materijali mogu predstavljati opasnost za djecu. Držite ambalažne materijale dalje od dohvata djece. Molimo odložite sve dijelove pakovanja i skladište sa ekološkim propisima.
- Električni proizvodi predstavljaju opasnost za djecu. Držite djecu dalje od proizvoda kada je on u funkciji i nemojte dozvoliti djeci da se igraju s tim proizvodom.
- Ne ostavljajte iznad uređaja bilo kakve predmete koje djeca mogu dosegnuti.
- Kada su vrata otvorena, nemojte stavljati bilo kakve teške predmete na njih i ne dajte djeci da sjedaju na njih. Vrata se mogu oboriti ili se

mogu oštetiti šarke na vratima.

Odlaganje starog proizvoda

Usklađenost sa WEEE Direktivom i odlaganje otpadnog proizvoda:



Ovaj proizvod je u skladu sa EU WEEE Direktivom (2012/19/EU). Ovaj proizvod posjeduje klasifikacijski simbol za otpadnu električnu i elektroničku opremu (WEEE). Ovaj proizvod je proizveden od visoko kvalitetnih dijelova koji se mogu ponovo upotrijebiti i koji su pogodni za recikliranje. Nemojte odlagati otpadni proizvod s običnim kućnim i drugim otpadima čiji je vijeka trajanja prošao. Odnosite taj otpad na odlagalište za reciklažu električne i elektroničke opreme. Molimo vas posavjetujte se sa lokalnim institucijama da saznate gdje se nalaze ova odlagališta.

Usklađenost sa RoHS Direktivom:

Proizvod koji ste kupili je u skladu sa EU RoHS Direktivom (2011/65/EU). On ne sadrži nikakve štetne i zabranjene materijale specifikirane u ovoj Direktivi.



Odlaganje materijala za pakovanje

- Materijal za pakovanje predstavlja opasnost po djecu. Čuvajte materijal za pakovanje na sigurnom mjestu van dohvata djece. Materijali za pakovanje ovog proizvoda napravljeni su od reciklirajućeg materijala. Pravilno ih odložite i sortirajte ih u skladu sa uputstvima za reciklažu otpada. Nemojte ih odlagati zajedno sa običnim kućnim otpadom.

Odlaganje starog proizvoda.

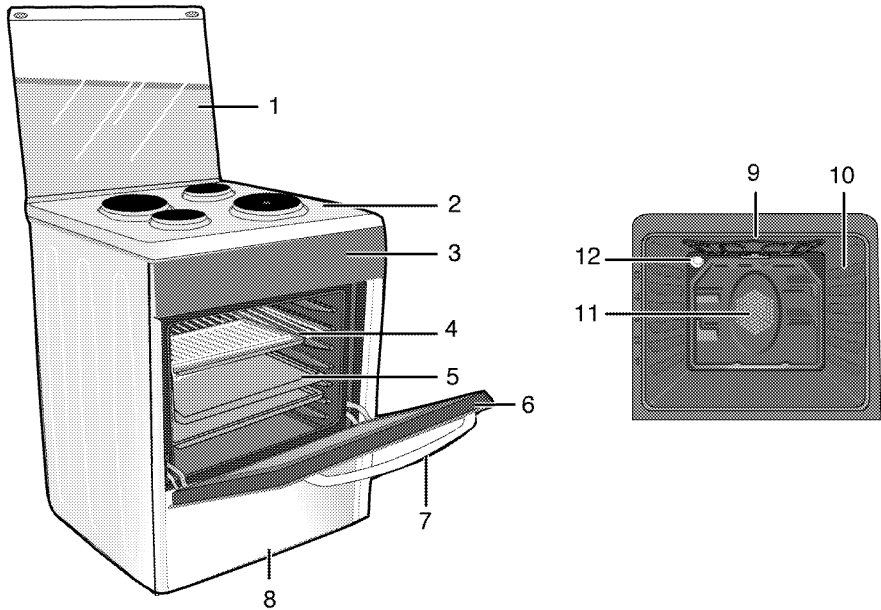
- Sačuvajte originalnu kutiju u koju je proizvod bio upakovan i transportujte proizvod u istoj. Slijedite uputstva na kutiji. Ukoliko nemate originalnu kutiju, upakujte proizvod u zaštitnu foliju sa zračnim mjehurićima ili debel kartonsku ambalažu i čvrsto omotajte ljepljivom trakom.

- Da biste spriječili da žičana polica i pleh oštete vrata pećnice, stavite komad kartona sa unutrašnje strane vrata pećnice, tako da odgovara položaju pleha. Zalijepite trakom vrata pećnice za bočne zidove.
- Ne koristite vrata ili ručku da biste podizali ili premještali ovaj proizvod.

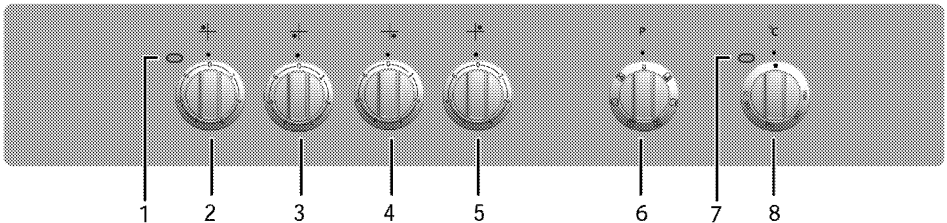
-  Nemojte stavljati nikakve predmete na proizvod i pomjerajte ga u uspravnom položaju.
-  Provjerite generalno izgled vašeg proizvoda radi bilo kakvih oštećenja koja su se mogla desiti tokom transporta.

2 Opće informacije

Pregled



- | | |
|---------------------|--|
| 1 Poklopac na vrhu | 7 Drška |
| 2 Ploča gorionika | 8 Donji dio |
| 3 Upravljačka ploča | 9 Grijni element roštilja |
| 4 Žičani nosač | 10 Položaji police |
| 5 Pladanj | 11 Motor ventilatora (iza čelične ploče) |
| 6 Prednja vrata | 12 Lampa |



- | |
|--------------------------|
| 1 Lampica upozorenja |
| 2 Ringla Stražnji lijevi |
| 3 Ringla Prednji lijevi |
| 4 Ringla Prednji desni |
| 5 Ringla Stražnji desni |
| 6 Funkcijska sklopka |
| 7 Termostatska lampa |
| 8 Termostatska sklopka |

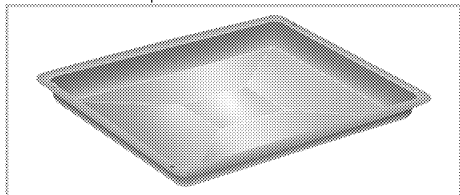
Sadržaj pakovanja

i Isporučeni pribor se može razlikovati ovisno od modela proizvoda. Svaki komad dodatnog pribora koji je opisan u priručniku za korisnika ne mora biti isporučen uz vaš proizvod.

1. Uputstvo za upotrebu

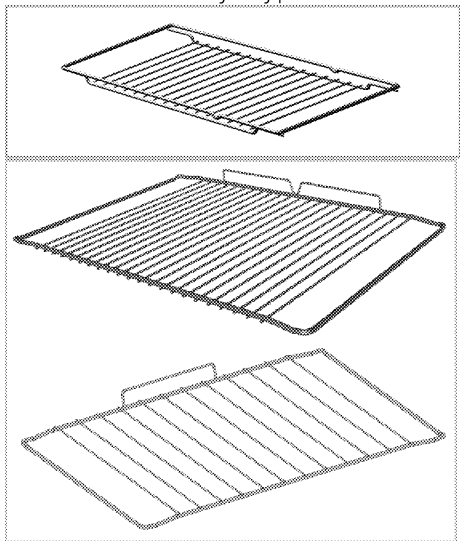
2. Standardni pladanj

Upotrebljava se za peciva, zamrznutu hranu i velike pečenice.



3. Rešetka roštilja

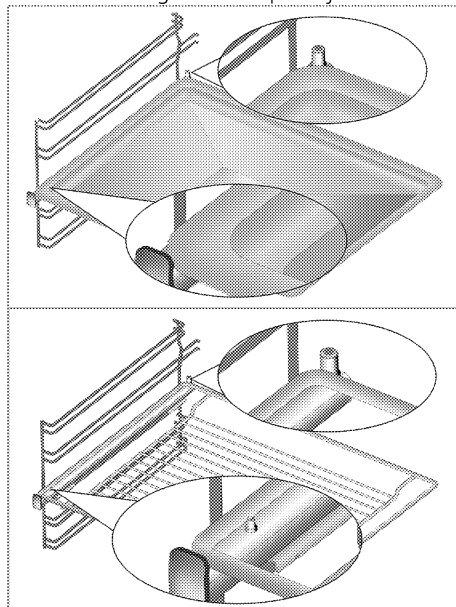
Upotrebljava se za prženje i za postavljanje hrane koju treba peći, pržiti ili kuhati u loncu na željenoj polici.



4. Ispravno postavljanje žičanog nosača i pladnja na teleskopske stalke (Ova funkcija je opcionalna. Ona se možda neće nalaziti na vašem proizvodu.)

Teleskopski stalci omogućavaju vam da lako postavite i uklonite pladnjeve i žičani nosač.

Kada koristite pladnjeve i žičani nosač sa teleskopskim stalcima, osigurajte da zakačke na stražnjem odjeljku teleskopskog stalka stoje nasuprot rubova žičanog nosača i pladnja.



Tehničke specifikacije

OPŠTI	
Vanjske dimenzije (visina/širina/dubina)	850 mm/500 mm/600 mm
Napon/frekvencija	220-240 V/380-415 V ~ 3N 50 Hz
Ukupna potrošnja električne energije	7.5 kW
Vrsta kabla/poprečni presjek	min.H05VV-FG 5 x 1,5 mm ² / 3 x 2,5 mm ²
PLOČA ZA KUHANJE	
Gorionici	
Stražnji lijevi	Ringla
Dimenzije	145 mm
Snaga	1000 W
Prednji lijevi	Ringla
Dimenzije	180 mm
Snaga	2000 W
Prednji desni	Ringla
Dimenzije	145 mm
Snaga	1000 W
Stražnji desni	Ringla
Dimenzije	180 mm
Snaga	1500 W
PEĆNICA/ROŠTILJ	
Glavna pećnica	Potpomognuta ventilatorom
Unutrašnja lampica	15 25 W
Potrošnja električne energije roštilja	1.6 kW

Osnove: Informacije o električnim pećnicama na etiketi o energiji date su u skladu sa EN 60350-1 / IEC 60350-1 standardima. Te vrijednosti su determinirane pod standardnim opterećenjem sa donjim-gornjim grijačima ili funkcijama zagrijavanja potpomognutim ventilatorom (ukoliko postoje).

Klasa energetske efikasnosti je determinirana u skladu sa slijedećim prioritetima što zavisi od toga da li relevantne funkcije postoje na uređaju ili ne. 1-Kuhanje uz eco-ventilator, 2- Turbo sporo kuhanje, 3- Turbo kuhanje, 4- Zagrijavanje donje/gornje površine potpomognuto ventilatorom, 5- Zagrijavanje donje i gornje površine.

i Tehničke specifikacije su podložne izmjenama bez prethodne obavijesti kako bi se poboljšao kvalitet uređaja.

i Slike u ovom priručniku su shematske i moguće je da se ne podudaraju tačno s vašim uređajem.

i vrijednosti prikazane na naljepnicama uređaja ili u priloženoj dokumentaciji postignute su u laboratorijskim uvjetima u skladu sa relevantnim standardima. Ovisno o uvjetima okoline i rada uređaja, ove vrijednosti mogu varirati.

3 Instalacija

Proizvod mora biti ugrađen od strane ovlaštene osobe u skladu sa propisima koji su na snazi. U suprotnom, garancija će postati nevažeća. Proizvođač se neće držati odgovornim za oštećenja nastala usljed procedura koje su izvodile neovlaštene osobe i garancija može biti nevažeća.

i Priprema lokacije i elektro instalacije za ovaj proizvod je u nadležnosti korisnika.

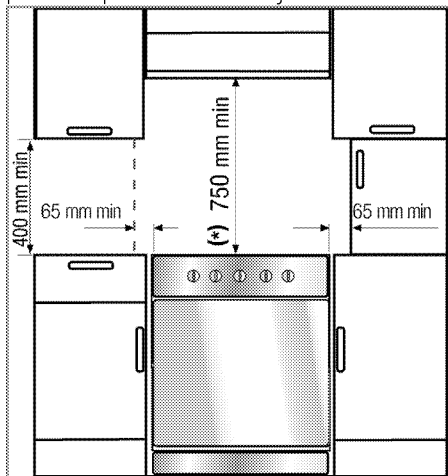
! Prilikom instalacije, uređaj mora biti spojen u skladu sa svim lokalnim propisima o plinskim i/ili električnim instalacijama.

! Prije instalacije, izvršiti vizuelno provjeru da li na proizvodu ima bilo kakvih nedostataka. Ako da, nemojte vršiti instalaciju.

Oštećeni proizvodi predstavljaju rizik za vašu sigurnost.

Prije instalacije

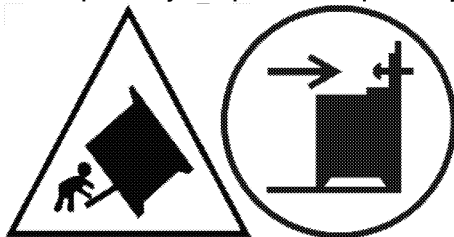
Da bi se osiguralo da ispod uređaja postoji prostor za zrak, što je od ključnog značaja, preporučujemo da se uređaj postavi na čvrstu podlogu i da nožice ne utonu u tepih ili bilo kakav meki prekrivač za pod. Kuhinjski pod mora biti takav da može podnositi težinu uređaja i dodatnu težinu posuda i pribora za kuhanje i hrane.



- Ovaj proizvod je uređaj klase 1 prema EN 30-1-1 standardu, tj. može se postavljati sa stražnjim dijelom i **jednom** stranom uz kuhinjske zidove, kuhinjski namještaj ili opremu bilo koje veličine. Kuhinjski namještaj ili oprema sa **druge** strane mogu biti samo iste veličine ili manji.
- Može se koristiti uz ormariće sa obje strane, ali da bi se ostvarila minimalna udaljenost od 400mm iznad nivoa ploče za kuhanje, ostavite zazor sa strane od 65mm između uređaja i zida, pregrade ili visokog plakara.
- Može se koristiti i kao samostojeći uređaj. Omogućite minimalnu razdaljinu od 750 mm iznad površine ploče za kuhanje.
- (*) Kada je potrebno ugraditi kuhinjsku napu iznad štednjaka, pogledajte priložena uputstva od proizvođača kuhinjske nape za pravilno određivanje visine ugradnje. Ako nije definirana bilo koja veličina u priručniku za nape, ta visina treba biti najmanje 650 mm.
- Kuhinjski namještaj koj se postavlja pored uređaja mora biti otporan na toplotu (minimalno 100 °C).



Upozorenje _ opasnost od prevrtanja!



Upozorenje: Kako bi se spriječilo prevrtanje uređaja, ovo sredstvo za stabilizaciju mora biti ugrađeno. Pogledajte uputstva za instalaciju.

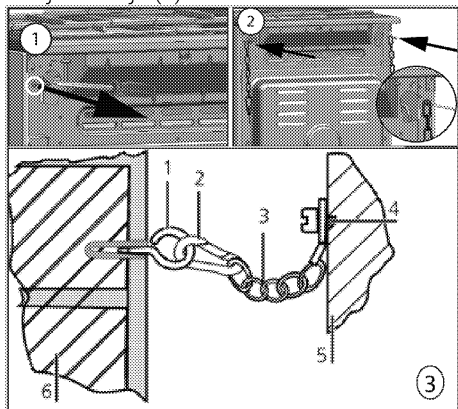
Sigurnosni lanac

Ako vaš proizvod ima 2 sigurnosna lanca;

Uređaj se mora osigurati od neuravnoteženosti korištenjem dva sigurnosna lanca koji se isporučuju uz pećnicu.

Pričvrstite kuku (1) koristeći odgovarajući klin na kuhinjski zid (6) i povežite sigurnosni

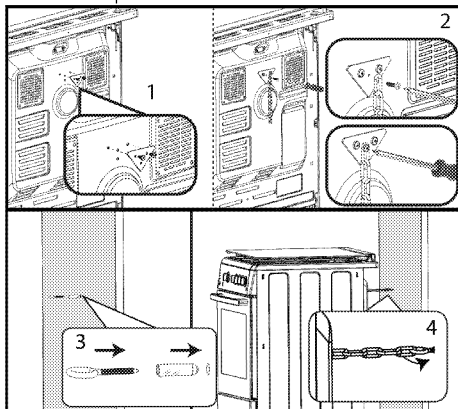
lanac (3) na kuku (1) pomoću mehanizma za zaključavanje (2).



- 1 Kuka za stabilnost
- 2 Mehanizam za zaključavanje
- 3 Sigurnosni lanac
- 4 Čvrsto pričvrstite lanac na stražnji dio štednjaka
- 5 Stražnji dio štednjaka
- 6 Kuhinjski zid

Ako vaš proizvod ima 1 sigurnosni lanac;

Uređaj se mora osigurati od neuravnoteženosti korištenjem isporučenog jednog sigurnosnog lanca na vašoj pećnici. Slijedite dolje navedene korake koji su dati na slici da biste pričvrstili sigurnosni lanac na vašem proizvodu.



i Lanac za stabilnost treba biti kratak koliko god je to praktično moguće kako bi se izbjeglo naginjanje pećnice prema narpjedu i dijagonalno da bi se izbjeglo naginjanje pećnice na stranu.

Lanac za stabilnost štednjaka za štednjake koji nisu dizajnirani sa prorezom za konzolno pričvršćivanje.

Instalacija i povezivanje

Proizvod se isključivo može instalirati i priključiti u skladu sa statutarnim pravilima instalacije.

i Nemojte instalirati proizvod pored frižidera ili zamrzivača. Toplota koju emitira vaš proizvod će povećati potrošnju energije uređaja za rashlađivanje.

- Proizvod trebaju prenositi najmanje dvije osobe.
- Proizvod se mora postaviti direktno na pod. Ne smije se stavljati na neku podlogu ili postolje.

i Ne koristite vrata i/ili ručku da biste prenosili ili premještali ovaj proizvod. Vrata, ručka ili baglame se mogu oštetiti.

Električno spajanje

Priključite proizvod na uzemljenu utičnicu/vod koji su zaštićeni minijaturnom automatskom sklopkom odgovarajućeg kapaciteta kao što je navedeno u tabeli "Tehničke specifikacije". Neka uzemljenje uradi kvalifikovani električar dok se proizvod koristi sa ili bez transformatora. Naša kompanija neće biti odgovorna za bilo kakva oštećenja koja mogu nastati zbog korištenja proizvoda bez uzemljenja u skladu s lokalnim propisima.

! Uređaj mora biti spojen na napojnu mrežu samo od strane ovlaštene i kvalifikovane osobe. Period garancije za proizvod počinje samo nakon ispravno izvršene instalacije. Proizvođač se neće držati odgovornim za oštećenja nastala usljed procedura koje su izvodile neovlaštene osobe.

! Kabal za napajanje se ne smije pritiskati, savijati ili gnječiti, niti doći u kontakt sa vrućim dijelovima na proizvodu.

Oštećeni kabal za napajanje se mora zamijeniti od strane kvalifikovanog električara. U suprotnom, postoji rizik od elektro šoka, kratkog spoja ili požara!

Podaci napojnog voda moraju odgovarati podacima navedenim na etiketi o tipu proizvoda. Pločica sa podacima o napajanju može se vidjeti kada se otvore vrata ili donji poklopac ili se nalazi na stražnjem zidu jedinice, ovisno o tipu jedinice.

Napojni kabal vašeg proizvoda se mora slagati sa vrijednostima iz tabele "Tehničke specifikacije".

! Prije započinjanja bilo kakvog rada na električnim instalacijama, iskopčajte uređaj iz napajanja. Postoji rizik od elektro šoka!

Spajanje napojnog kabla

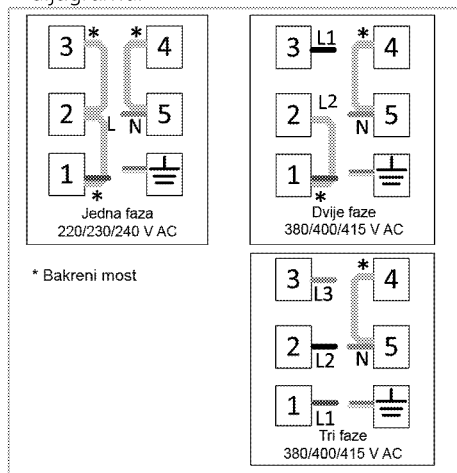
i Dok obavljate spajanje žica, morate se pridržavati nacionalnih/lokalnih propisa o električnoj energiji i morate koristiti odgovarajuću utičnicu/vod i utikač za pećnicu. U slučaju da su energetska ograničenja proizvoda izvan trenutnog kapaciteta nosivosti utikača i utičnice/voda, proizvod se mora spojiti direktno preko fiksne električne instalacije, bez korištenja utikača i utičnice/voda.

1. **Ako napojni kabal nije isporučen uz vaš proizvod**, napojni kabal koji odaberete iz tabele (*Tehničke specifikacije, Stranica 13*) u skladu sa elektro instalacijama u vašem domu mora biti spojen na vaš proizvod slijedeći uputstva u dijagramu kablova. Nije moguće prekinuti sve polove u izvoru napajanja, jedinica prekida s minimalno 3 mm kontaktnog zazora (osigurači, prekidači linijske sigurnosti, kontaktori) mora biti spojena i svi polovi ove jedinice prekida moraju biti u blizini (ne iznad) proizvoda u skladu sa IEE direktivama. Ne pokoravanje

ovim uputstvima može prouzrokovati probleme u radu i učiniti nevažećom garanciju za proizvod.

i Preporučuje se dodatna zaštita putem prekidača strujnog kola zaostale električne energije.

2. Otvorite odvijačem poklopac priključnog bloka.
3. Umetnite napojni kabal kroz obujmicu za kabal ispod priključka i pričvrstite ga na glavno tijelo s integrisanim vijkom na komponenti obujmice za kabal.
4. Povežite kablove prema priloženom dijagramu.

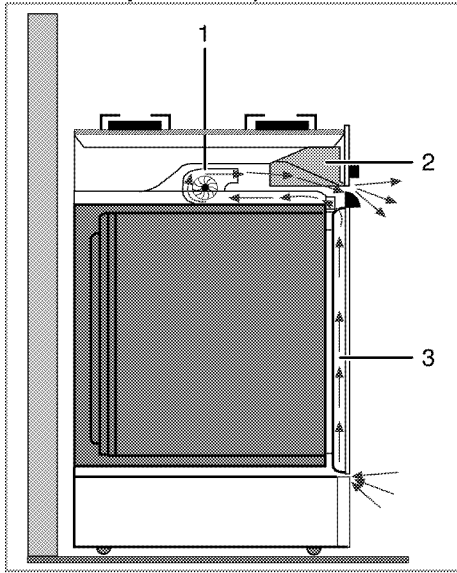


5. Nakon što ste završili spajanje žica, zatvorite poklopac priključnog bloka.
6. Vodite napojni kabal tako da ne dođe u kontakt s proizvodom i da ne bude prignječen između proizvoda i zida.

i Napojni kabal ne smije biti duži od 2 m iz sigurnosnih razloga.

- Gurnite proizvod prema kuhinjskom zidu.
- **Podešavanje nožica pećnice**
Vibriranje tokom kuhanja može prouzrokovati pomjeranje posuda za kuhanje. Ova opasna situacija se može izbjeći ukoliko je proizvod ravan i balansiran.
Radi vaše vlastite sigurnosti molimo osigurajte da je proizvod ravan tako što ćete podesiti njegove nožice na dnu okrećući ih lijevo ili desno i poravnajte sa radnom pločom.

Za proizvode sa ventilatorom za hlađenje (Ona se možda neće nalaziti na vašem proizvodu.)



- 1 Ventilator za hlađenje
- 2 Upravljačka ploča

3 Vrata
Ventilator za hlađenje hladi i kontrolnu ploču i prednju stranu uređaja.

i Ventilator za hlađenje nastavlja s radom tokom 20 - 30 minuta nakon što se pećnica isključi.

Završna provjera

- 1. Ponovo spojite proizvod na električnu mrežu.
- 2. Provjerite električne funkcije.

4 Priprema

Savjeti za uštedu energije

Sljedeće informacije će vam pomoći da koristite vaš uređaj na ekološki način i da štedite energiju:

- Koristite emajlirane plehove ili plehove tamne boje u pećnici jer će time biti ostvaren bolji prenos toplote.
- Prilikom pripremanja jela, izvršite operacije prethodnog zagrijavanja ako se to savjetuje u korisničkom priručniku ili uputama za kuhanje.
- Ne otvarajte često vrata pećnice za vrijeme kuhanja.
- Pokušajte istovremeno kuhati (spremati) više od jednog jela u pećnici kad god je to moguće. Možete kuhati tako što ćete staviti dvije posude za kuhanje na rešetku roštilja.
- Spremajte više jela jedno za drugim. Pećnica će već biti vruća.
- Možete uštediti energiju tako što ćete isključiti vašu pećnicu par minuta prije isteka vremena kuhanja. Ne otvarajte vrata pećnice.
- Odmrznite zamrznuta jela prije kuhanja.
- Koristite šerpe/tave sa poklopcima za kuhanje. Ukoliko nema poklopca, potrošnja energije se može uvećati 4 puta.
- Odaberite gorionik koji je prikladan za veličinu dna posude koju ćete koristiti za kuhanje. Uvijek odaberite ispravno veličinu posude za spremanje vaših jela. Veće posude zahtijevaju više energije.
- Vodite računa o tome da koristite posude sa ravnim dnom kada kuhate na električnoj ploči za kuhanje. Posude sa debelim dnom će omogućiti bolju provodljivost toplote. Možete postići uštedu energije i do 1/3.
- Posude za kuhanje moraju biti kompatibilne sa kolima za kuhanje. Dno posude ne smije biti manje nego što je kolo na kojem će se kuhati.
- Održavajte kola za kuhanje i dna posuda čistim. Prljavština će umanjiti provodljivost toplote između kola za kuhanje i dna posude.
- Za duža kuhanja, isključite kola za kuhanje 5 ili 10 minuta prije isteka vremena kuhanja. Možete postići uštedu

energije i do 20% koristeći preostalu toplotu.

- Informacije o energetskej efikasnosti prema EU 66/2014 mogu se pronaći na karti proizvoda date uz proizvod.

Prva upotreba

Prvo čišćenje uređaja



Neki deterdženti i materijali za čišćenje mogu izazvati oštećenja na površini.

Nemojte koristiti agresivne deterdžente, praškove/kreme za čišćenje ili bilo kakve oštre predmete dok čistite.

1. Uklonite sve materijale korištene za pakovanje
2. Obrišite površine uređaja vlažnom krpom ili spužvom i posušite krpom.

Početno zagrijavanje

Uključite uređaj da grije nekih 30 minuta i zatim ga isključite. Na taj način, bilo kakvi ostaci proizvodnje ili slojevi će sagorjeti i biti uklonjeni.



Vruće površine izazivaju opekotine!

Uređaj može biti vruć kada se koristi. Nikad nemojte dirati vruće gorionike, unutrašnje dijelove pećnice, grijalice itd. Držite djecu dalje od uređaja.

Uvijek koristite rukavice za pećnicu otporne na vrućinu kada stavljate ili uklanjate posude u/iz vrele pećnice.

Električna pećnica

1. Izvadite sve pladnjeve za pečenje i rešetku roštilja van iz pećnice.
2. Zatvorite vrata pećnice.
3. Odaberite položaj Static.
4. Odaberite najveću jačinu roštilja; pogledajte *Kako rukovati električnom pećnicom, Stranica 22*.
5. Pustite pećnicu da radi oko 30 minuta.
6. Isključite vašu pećnicu; Pogledajte *Kako rukovati električnom pećnicom, Stranica 22*

Pećnica sa roštiljom

1. Izvadite sve pladnjeve za pečenje i rešetku roštilja van iz pećnice.
2. Zatvorite vrata pećnice.
3. Odaberite najveću jačinu roštilja; pogledajte *Kako rukovati roštiljom*, *Stranica 25*.
4. Pustite pećnicu da radi oko 15 minuta.
5. Isključite vašu pećnicu; Pogledajte *Kako rukovati roštiljom*, *Stranica 25*

Kola (ringle) za kuhanje

1. Svi ostaci iz procesa proizvodnje ili slojevi sredstava za konzerviranje moraju sagorjeti prije prve upotrebe. Uključite

kola i pustite da rade na nivou srednje temperature oko 8 minuta bez ikakvih posuda na kolima. Nikakve posude ili spremnici ne bi trebali biti stavljeni na kola za vrijeme ove procedure.



Dim i miris mogu se javiti tokom nekoliko sati prilikom inicijalnog puštanja u rad. To je sasvim normalno. Osigurajte da je prostorija dobro ventilirana da bi se uklonio dim i miris. Izbjegavajte direktno inhaliranje dima i mirisa koji se ispušta.

5 Kako koristiti ploču za kuhanje

Opšte informacije o kuhanju

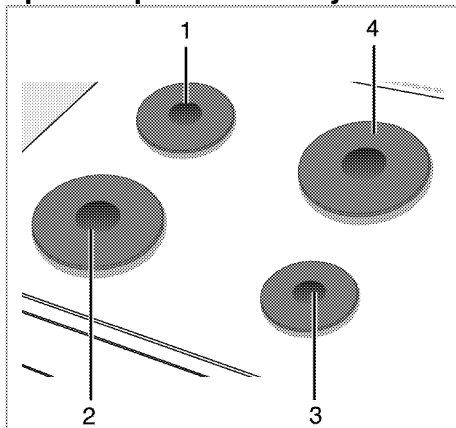


Nikada nemojte puniti tavu uljem više od jedne trećine. Ne ostavljajte ploču za kuhanje bez nadzora kada se zagrijava ulje. Pregrijano ulje predstavlja rizik od požara. **Nikada nemojte pokušavati gasiti mogući požar vodom!** Kada je ulje zahvaćeno vatrom, pokrijte ga protivpožarnim ćebetom ili vlažnom krpom. Isključite ploču za kuhanje ako je bezbjedno da se to uradi i pozovite vatrogasnu službu.

- Prije prženja hrane, uvijek ju dobro posušite i nježno stavite u vrelo ulje. Osigurajte da se smrznuta hrana u potpunosti otopi prije prženja.
- Nemojte pokrivati posude koje koristite kada zagrijavate ulje.
- Postavite tave i duboke tave na način da njihove ručke ne budu iznad ringla kako biste spriječili grijanje ručki. Nemojte stavljati na ringle posude koje nisu balansirane i koje se lako naginju.
- Ne stavljajte prazne posude i duboke tave na zone kuhanja koje su uključene. Mogle bi se oštetiti.
- Ako uključite zone kuhanja da rade bez posude ili duboke tave na njima to može prouzrokovati oštećenja na proizvodu. Isključite zone kuhanja nakon završetka kuhanja.
- Obzirom da površine na proizvodu mogu biti vruće, ne stavljajte plastične i aluminijske posude na njih. Takve posude se ne bi trebale koristiti niti za čuvanje hrane.
- Koristite tave ili drugo posuđe samo sa ravnim dnom.
- Stavite odgovarajuću količinu hrane u duboke tave ili drugo posuđe. Stoga nećete trebati činiti bilo kakva nepotrebna čišćenja jer ćete time spriječiti da jela kipe van. Ne stavljajte poklopce tava ili drugog posuđa na zone kuhanja. Stavite tave tako da su one centrirane na zoni kuhanja. Kada želite premjestiti posudu na drugu zonu kuhanja, podignite

je i postavite na zonu kuhanja koju odaberete, nemojte je vući po površini.

Upotreba ploče za kuhanje



- 1 Ringla 14-16 cm
- 2 Ringla 18-20 cm
- 3 Ringla 14-16 cm
- 4 Ringla 18-20 cm je popis predloženih prečnika posuda koje treba koristiti na odgovarajućim gorionicima.

Upotreba ringli

Tipke na ploči za kuhanje mogu se okretati u oba pravca na način koji obezbeđuje kontrolu temperature korak po korak.

- **i** Ako je ploča za kuhanje opremljena s obilježjem "Booster" funkcije za ringle, odgovarajuća ringla će biti označena crvenom tačkom.

Zaštita od pregrijavanja

Ringle čija je snaga preko 1000 W opremljene su sa zaštitom od pregrijavanja. Zaštita od pregrijavanja umanjuje snagu ringle u slijedećim slučajevima:

- Ukoliko nema nikakve posude ili duboke tave na ringli.
- Ukoliko se na ringli nalazi prazna posuda ili duboka tava.
- Ukoliko dno posude ili duboke tave nije ravno.

Uključivanje ringli

Koristite tipke za ringle da rukujete ringlama. Podesite tipke za ringle na odgovarajući nivo kako biste postigli željenu jačinu kuhanja.

Isključivanje ringli

Okrenite tipku za ringle u položaj "OFF" (isključeno) (prema gore).

Jačina kuhanja	1	2 3	4 6
	zagrijavanje	pirjanje, krčkanje	kuhanje, prženje, vrenje

6 Kako rukovati pećnicom

Opće informacije o pečenju, prženju i roštiljanju

! Vruće površine izazivaju opekotine! Uređaj može biti vruć kada se koristi. Nikad nemojte dirati vruće gorionike, unutrašnje dijelove pećnice, grijalice itd. Držite djecu dalje od uređaja. Uvijek koristite rukavice za pećnicu otporne na vrućinu kada stavljate ili uklanjate posuđe u/iz vrele pećnice.

! Vodite računa kada otvarate vrata pećnice jer iz njene unutrašnjosti može izlaziti para. Izlazeća para može prouzrokovati opekotine na vašim rukama, licu i/ili očima.

Savjeti za pečenje

- Koristite odgovarajuće obložene neljepljive metalne ploče i aluminijske posude ili silikonske kalupe otporne na toplotu.
- Maksimalno koristite prostor na polici.
- Postavite kalup za pečenje na srednju policu.
- Odaberite ispravan položaj police prije nego uključite pećnicu ili roštilj. Ne mijenjajte položaj police kada je pećnica vruća.
- Držite vrata pećnice zatvorenim.

Savjeti za prženje

- Tretiranje cijelog pileta, ćurke i velikih komada mesa sa začinima poput limunovog soka i crnog bibera prije kuhanja povećati će performanse kuhanja.
- Pečenje mesa s kostima traje oko 15 do 30 minuta duže u poređenju sa prženjem mesa bez kosti iste veličine.
- Svaki centimetar debljine mesa zahtijeva vrijeme kuhanja otprilike 4 do 5 minuta.
- Pustite da meso odstoji u pećnici oko 10 minuta nakon završetka kuhanja. Sok se bolje raspoređuje po cijelom komadu pečenja i ne curi kada se meso siječe.
- Ribu treba staviti na srednju ili donju policu u pladnju otpornom na toplotu.

Savjeti za roštiljanje

Kada se meso, riba i perad pripremaju na roštilju, brzo poprime smeđu boju, imaju finu koricu i ne isušuju se. Ravni komadi, mesni ražnjići i kobasice posebno su podesni za roštilj, kao i povrće sa velikom količinom tečnosti kao što su paradajz i crveni luk.

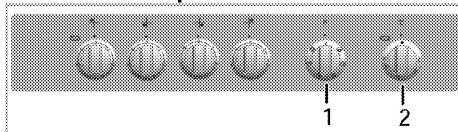
- Rasporedite komadiće koji će se roštiljati na rešetci ili na plehu za pečenje sa rešetkom na takav način da pokriveni prostor ne prelazi veličinu grijača.
- Gurnite žičanu policu ili pladanj za pečenje sa rešetkom na željeni nivo u pećnicu. Ako roštiljate na žičanoj polici, gurnite pladanj za pečenje na donju policu kako bi se pokupila masnoća. Pladanj za pečenje koji trebate gurnuti mora biti odgovarajuće veličine tako da obuhvata cijelo područje za roštiljanje. Ovaj pladanj možda neće biti isporučen uz proizvod. Dodajte malo vode u pladanj za pečenje radi lakšeg čišćenja.



Hrana koja nije pogodna za roštiljanje nosi sa sobom rizik od požara. Roštiljajte samo hranu koja je podesna za veliku toplotu prženja. Nemojte stavljati hranu suviše daleko u pozadinu roštilja. To je najtopliji dio pećnice i zamašćena hrana se može zapaliti.

Kako rukovati električnom pećnicom

Odaberite temperaturu i način rada



- 1 Funkcijska sklopka
 - 2 Termostatska sklopka
1. Podesite funkcijsku sklopku na željeni režim rada.
 2. Podesite tipku temperature na željenu temperaturu.
- » Pećnica se zagrijava do podešene temperature i održava je. Tokom

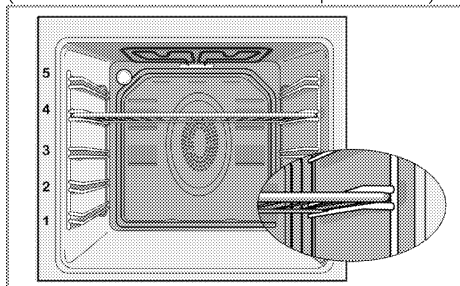
zagrijavanja, lampica temperature ostaje uključena.

Isključivanje električne pećnice

Okrenite funkcijsku sklopku i tipku za temperaturu u položaj isključeno (prema gore).

Važno je pravilno postaviti žičanu rešetku na žičani nosač. Žičana rešetka mora biti umetnuta između nosača kao što je prikazano na slici.

Nemojte dopustiti da žičana rešetka stoji naslonjena na stražnji zid pećnice. Kliznite vašu rešetku na prednji odjeljak nosača i namjestite je uz pomoć vrata kako biste postigli dobre performanse roštiljanja. (Varira u ovisnosti od modela proizvoda.)



Načini rada

Redoslijed režima rada prikazan ovdje može odstupati od redoslijeda na vašem proizvodu.

Gornje i donje zagrijavanje



Gornje i donje zagrijavanje su u funkciji. Hrana je zagrijana istovremeno s donje i gornje strane. Na primjer, to je pogodno za kolače, tjestenine, ili kolače i kaserole u kalupima za pečenje. Kuhanje samo sa jednim plehom.

Zagrijavanje dna



Samo zagrijavanje donje strane je u funkciji. To je pogodno za pizze i za kasnije rumenjenje hrane s donje strane.



Ova funkcija mora biti korištena za lako čišćenje parom takođe.

Zagrijavanje donje/gornje strane potpomoćno ventilatorom



Gornji i donji grijači plus ventilator (u stražnjem zidu) su u funkciji. Vrući zrak je ravnomjerno distribuiran u cijeloj pećnici brzo pomoću ventilatora. Kuhanje samo sa jednim plehom.

Puni roštilj



Veliki roštilj na stropu pećnice je u funkciji. Podesno za roštiljanje velikih količina mesa.

- Stavite velike ili srednje velike porcije na odgovarajuću policu ispod grijača roštilja za roštiljanje.
- Okrenite hranu nakon što protekne polovina vremena roštiljanja.

Roštilj+ventilator



Efekat roštilja nije jak kao kod punog roštilja

- Stavite male ili srednje velike porcije na odgovarajuću policu ispod grijača roštilja za prženje.
- Okrenite hranu nakon što protekne polovina vremena roštiljanja.

"Booster"



Ova funkcija se koristi za brzo zagrijavanje pećnice; to nije pogodno za kuhanje hrane.



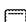












- Odaberite željenu temperaturu nakon odabira ove funkcije. Svjetlo za temperaturu se pali i pećnica je zagrijana.
- Svjetlo se gasi nakon što proces zagrijavanja okonča. Sada odaberite željenu funkciju da kuhate vašu hranu.

Tabela vremena kuhanja

i Vremena u ovoj karti služe kao vodič. Vremena mogu varirati zbog temperature hrane, debljine, vrste i vaših vlastitih preferencija u vezi kuhanja.

Pečenje i prženje

i 1. policica pećnice je donjapolica.

Posuda	Broj pladnjeva	Način rada	Položaj police	Temperatura (°C)	Vrijeme kuhanja (približno u min.)
**Kolači u plehu	Jedan pladanj		3	175	30 ... 45
**Kolači u kalupu	Jedan pladanj		3	175	30 ... 50
**Kolači u papiru za kuhanje	Jedan pladanj		3	160 ... 170	20 ... 30
**Biskvit kolač	Jedan pladanj		3	180 ... 200	10 ... 20
**Kolači	Jedan pladanj		3	160 ... 170	20 ... 30
**Kolači od tijesta	Jedan pladanj		3	200	20 ... 30
**Filovana tjestenina	Jedan pladanj		3	190	25 ... 35
**Kvasac	Jedan pladanj		3	190	20 ... 40
**Lazanje	Jedan pladanj		2	180	25 ... 45
**Pizza	Jedan pladanj		2	200	15 ... 25
Goveđi odrezak (cijel) / pržen	Jedan pladanj		2	25 min. 220, zatim 180 ... 190	80 ... 100
Janjeći but (lonac)	Jedan pladanj		2	25 min. 220, zatim 180 ... 190	60 ... 90
Pileće pečenje	Jedan pladanj		2	15 min. 250/max, zatim 190	55 ... 65
Čurka (Kriške)	Jedan pladanj		2	25 min. 250/max, zatim 190	60 ... 100
Riba	Jedan pladanj		3	200	20 ... 30

(**) Za procese kuhanja koji zahtijevaju prethodno zagrijavanje, unaprijed zagrijte pećnicu na početku procesa dok pećnica ne dostigne podešenu temperaturu.

Upute za pečenje kolača

- Ako je kolač previše suh, povećajte temperaturu za nekih 10°C i smanjite vrijeme kuhanja.
- Ako je kolač vlažan, koristite manje tečnosti ili snizite temperaturu za 10°C.
- Ako je kolač previše taman na vrhu, postavite ga na nižu policu, snizite temperaturu i povećajte vrijeme kuhanja.
- Ako je skuhanu dobro s unutrašnje strane ali je gnjecavo s vanjske strane koristite manje tečnosti, snizite temperaturu i povećajte vrijeme kuhanja.

Upute za pečenje tijesta

- Ako je kolač previše suh, povećajte temperaturu za nekih 10°C i smanjite vrijeme kuhanja. Navlažite slojeve tijesta sosom od mlijeka, ulja, jaja i jogurta.
- Ako traje predugo da se kolač ispeče, pobrinite se da debljina tijesta koje ste pripremili ne premašuje dubinu pleha.
- Ako je gornja strana kolača postala braonkasta, ali donja strana još nije kuhana, uvjerite se da količina sosa koji se upotrijebili za kolač nije prevelika na dnu kolača. Pokušajte ravnomjerno rasporediti sos između i po slojevima tijesta kako bi ravnomjerno porumenili.

- i** Pecite tijesto u skladu sa režimom rada i temperaturom koji su dati u tabeli kuhanja. Ako donji dio još nije dovoljno rumen, slijedeći put ga stavite na jednu policu niže.

Uputstva za kuhanje povrća

- Ako jelo od povrća ostaje bez sokova i postaje previše suho, kuhajte ga u tavi sa poklopcem umjesto u plehu. Zatvorene posude će sačuvati sokove koje daje jelo.
- Ako se jelo od povrća ne skuha, prokuhajte povrće unaprijed ili ga pripremite kao konzerviranu hranu i stavite u pećnicu.

Kako rukovati roštiljom



Zatvorite vrata pećnice tokom pečenja na roštilju. Vruće površine mogu izazvati opekotine!

Uključivanje roštilja

1. Okrenite funkcijski sklopku do željenog simbola roštilja.
 2. Zatim odaberite željenu temperaturu roštilja.
 3. Ako je potrebno, uradite prethodno zagrijavanje oko 5 minuta.
- » Lampica temperature se pali.

Isključivanje roštilja

1. Okrenite funkcijsku sklopku u položaj Off (isključeno) (prema gore).



Hrana koja nije pogodna za roštiljanje nosi sa sobom rizik od požara. Roštiljajte samo hranu koja je podesna za veliku toplotu prženja. Nemojte stavljati hranu suviše daleko u pozadinu roštilja. To je najtopliji dio pećnice i zamašćena hrana se može zapaliti.

Vrijeme pripremanja hrane korištenjem funkcije roštilja

Roštiljanje električnim roštiljom

Hrana	Dodatna oprema za korištenje	Položaj police	Preporučena temperatura (°C)**	Vrijeme roštiljanja (približno)
Riba	Rešetka roštilja	4...5	250/max	20...25 min. #
Pileći odrezak	Rešetka roštilja	4...5	250/max	25...35 min.
Sjeckana janjetina	Rešetka roštilja	4...5	250/max	20...25 min.
Goveđe pečenje	Rešetka roštilja	4...5	250/max	25...30 min. #
Sjeckana teletina	Rešetka roštilja	4...5	250/max	25...30 min. #
Tost *	Rešetka roštilja	4	250/max	1...3 min.

ovisno o debljini

*Prethodno zagrijati tokom 5 minuta

**Ako se temperatura roštilja vašeg proizvoda ne može podesiti, roštilj će raditi na preporučenoj temperaturi.

Jela u ovoj tabeli kuhanja su pripremljena u skladu sa EN 60350-1 kako bi se omogućilo

kontrolnim institucijama da testiraju proizvode.

Hrana	Dodatna oprema za korištenje	Položaj police	Temperatura (°C)	Vrijeme kuhanja (približno u min.)
Tost	Rešetka roštilja	4	250/max	1...3 min.
Ćufte (govedina) - 12 komadi	Rešetka roštilja	4	250/max	25...35 min.

Okrenite hranu nakon 2/3 ukupnog vremena roštiljanja.

Preporučuje se prethodno zagrijavanje od 5 minuta za prženje svake vrste hrane.

7 Održavanje i njega

Opšte informacije

Životni vijek proizvoda će biti produžen, a učestalí problemi će se smanjiti ukoliko se proizvod čisti u redovnim intervalima.



Isključite uređaj s glavnog napajanja prije započinjanja aktivnosti oko održavanja i čišćenja.

Postoji rizik od elektro šoka!



Sačekajte da se uređaj ohladi prije čišćenja.

Vruće površine mogu izazvati opekotine!

- Očistite temeljito proizvod nakon svake upotrebe. Na taj način će biti moguće lakše uklanjanje ostataka kuhanja, te oni neće gorjeti prilikom narednog korištenja uređaja.
- Za čišćenje uređaja nisu potrebna posebna sredstva za čišćenje. Koristite toplu vodu s tečnošću za pranje, mekanu krpu ili spužvu da očistite proizvod i zatim ga prebrišite suhom krpom.
- Uvijek osigurajte da bilo kakav višak tečnosti bude temeljito obrisano nakon čišćenja i sve što je proljeveno da se odmah posuši brisanjem.
- Nemojte koristiti sredstva za čišćenje koja sadrže kiseline ili hlorid da biste čistili površine od nehrđajućeg materijala ili od inoksa niti za čišćenje ručke. Koristite mekanu krpu sa tečnim deterdžentom (ne abrazivnim) da prebrišete te dijelove, obratite pažnju da brišete u jednom smjeru.
- **(Ova funkcija je opcionalna. Ona se možda neće nalaziti na vašem proizvodu.)** nemojte koristiti krute metalne strugalice ili abrazivne materijale za čišćenje da biste čistili stakleni poklopac. Staklena površina bi se mogla oštetiti.



Neki deterdženti i materijali za čišćenje mogu izazvati oštećenja na površini.

Nemojte koristiti agresivne deterdžente, praškove/kreme za čišćenje ili bilo kakve oštre predmete dok čistite.



Nemojte koristiti čistače na paru da čistite uređaj jer bi to moglo prouzrokovati strujni udar.

Čišćenje ploče za kuhanje.

Električne ploče za kuhanje

1. Isključite kola za kuhanje i sačekajte da se ohlade
2. Ako je potrebno, očistite ploče za kuhanje sredstvom za čišćenje (sredstva za čišćenje/omekšivače možete dobiti u specijalizovanim prodavnicama).
3. Zagrijete samo na par minuta nakon čišćenja kako bi se njihovi gornji odjelci osušili.
4. Nanosite tanki sloj mašinskog ulja na gornju površinu ploče za kuhanje redovno kako biste je zaštitili.



Čišćenje kontrolne ploče

Očistite kontrolnu ploču i kontrolne tipke vlažnom krpom te ih potom osušite.



Ako je proizvod opremljen dugmadima/tipkama, nemojte uklanjati kontrolnu dugmad da čistite kontrolnu tablu.

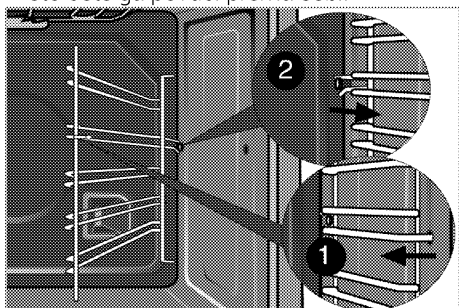
Kontrolna tabla bi se mogla oštetiti!

Čišćenje pećnice

Čišćenje bočnih zidova (Varira u ovisnosti od modela proizvoda.)

(Ova funkcija je opcionalna. Ona se možda neće nalaziti na vašem proizvodu.)

1. Uklonite prednji dio bočnog nosača tako što ćete ga povući u smjeru suprotnom od bočnog zida.
2. Uklonite bočni nosač u potpunosti tako što ćete ga povući prema sebi.

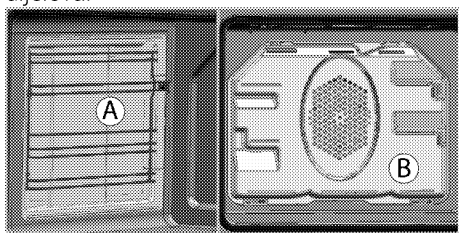


Katalitički zidovi

(Ova funkcija je opcionalna. Ona se možda neće nalaziti na vašem proizvodu.)

Unutrašnji bočni zidovi (A) i/ili stražnji zid (B) vašeg proizvoda mogu biti obloženi katalitičkim emajlom. Katalitički zidovi imaju svijetlu mat boju i poroznu površinu.

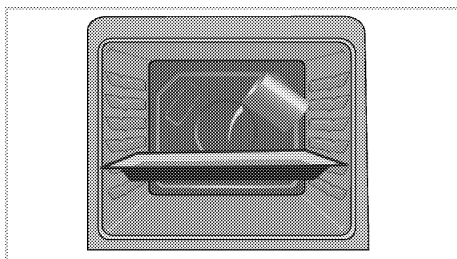
Katalitički zidovi pećnice se ne trebaju čistiti. Zahvaljujući svojoj perforiranoj strukturi, katalitičke površine apsorbiraju mast i kad se površina ispuni mašću, počinju sjajiti. U ovom slučaju preporučuje se zamjena dijelova.



Lako čišćenje parom

To osigurava lako čišćenje jer se prljavština (bez predugog čekanja) omekša pomoću pare koja se formira unutar pećnice i vodenih kapljica koje se kondenzuju na unutrašnjim površinama pećnice.

1. Uklonite sav pribor iz pećnice.
2. Uljite 300 ml vode u pladanj pećnice i postavite pladanj na 2. policu u pećnici.



3. Postavite pećnicu na jednostavan način rada čišćenje parom i rade na 100 ° C 25 minuta.
4. Otvorite vrata i obrišite unutrašnje površine u pećnici sa vlažnom spužvom ili krpom.
5. Koristite toplu vodu s tečnošću za pranje, mekanu krpu ili spužvu da očistite postojana zaprljanja i zatim prebrišite suhom krpom.

i U toku režima laganog čišćenja pomoću pare, voda se postavlja u pladanj tako da se ostaci/prljavština u unutrašnjosti pećnice isparavaju i kondenzuju u šupljinu pećnice i unutrašnje staklo pećnice, tako da voda može da kaplje kada je vrata pećnice otvorena. Obrišite kondenzaciju čim se vrata pećnice otvore.

Čišćenje vrata pećnice

Da biste očistili vrata pećnice, koristite toplu vodu s tečnošću za pranje, mekanu krpu ili spužvu da očistite proizvod i zatim prebrišite suhom krpom.

Staklo obrišite octom, a zatim ga isperite kako bi uklonili ostatke kamenca koji se mogu pojaviti na staklu pećnice.

i Nemojte koristiti bilo kakva gruba abrazivna sredstva za čišćenje ili oštre metalne strugače za čišćenje vrata pećnice. Njima se može izgrebati površina i uništiti staklo.

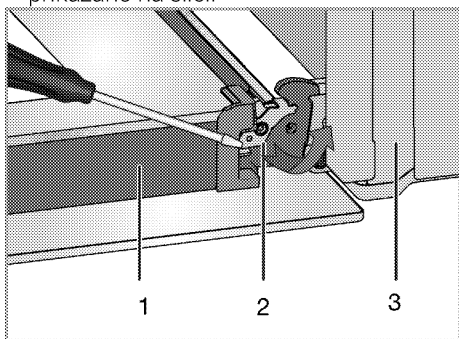
Čišćenje vrata rerne

i Da biste očistili vrata i stakla rerne nemojte koristiti gruba abrazivna sredstva za čišćenje, metalne strugače, žičanu vunu ili sredstva za bijeljenje.

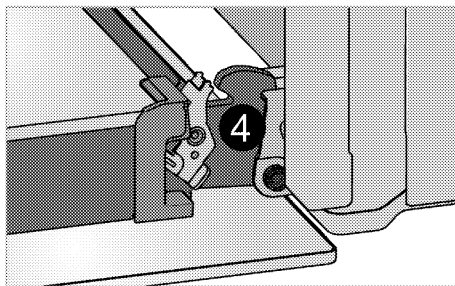
Možete da skinete vrata i staklo rerne da biste ih očistili. Kako ukloniti vrata i staklo objašnjeno je u odjeljcima „Skidanje vrata rerne“ i „Skidanje unutrašnjeg stakla na vratima rerne“. Nakon što skinete unutrašnje staklo na vratima, očistite ga sredstvom za pranje posuda, toplom vodom i mekom krpom ili sunđerom i osušite suvom krpom. Staklo obrišite octom, a zatim ga isperite kako bi uklonili ostatke kamenca koji se mogu pojaviti na staklu pećnice.

Skidanje vrata pećnice

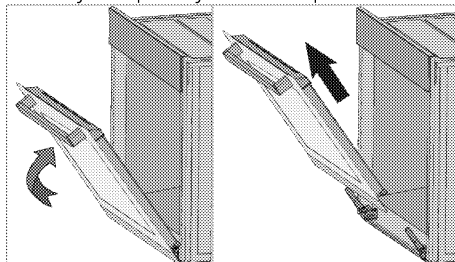
1. Otvorite prednja vrata (1).
2. Otvorite spojnice na kućištu šarke (2) na desnoj i lijevoj strani prednjih vrata tako što ćete ih pritisnuti prema dolje kako je prikazano na slici.



- 1 Vrata
- 2 Zaključavanje šarke(zatvorena pozicija)
- 3 Pećnica
- 4 Zaključavanje šarke(otvorena pozicija)



3. Pomjerite prednja vrata do polovine.



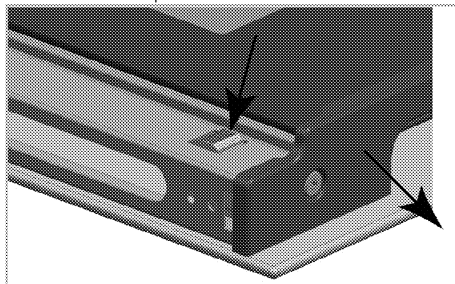
4. Uklonite prednja vrata povlačenjem prema gore kako biste ih oslobodili veze sa šarkama na lijevoj i desnoj strani.

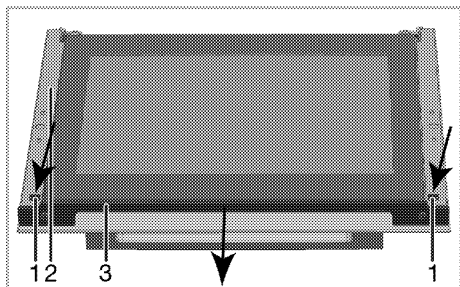
i Koraci koje ste izvodili prilikom procesa skidanja trebali bi biti ponovljeni obrnutim redoslijedom kada sklapate vrata. Nemojte zaboraviti zatvoriti spojnice na kućištu šarki prilikom postavljanja vrata.

Uklanjanje unutrašnjeg stakla na vratima

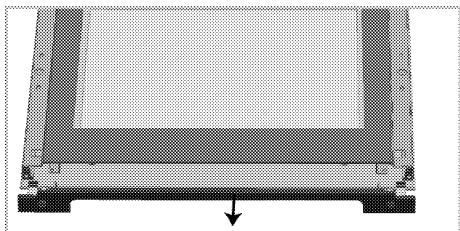
(Ova funkcija je opcionalna. Ona se možda neće nalaziti na vašem proizvodu.)

Unutrašnja staklena ploča na vratima pećnice može se skinuti radi čišćenja. Otvorite vrata pećnice.

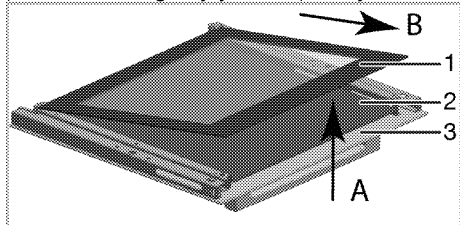




- 1 Jezičak
- 2 Okvir
- 3 Profil



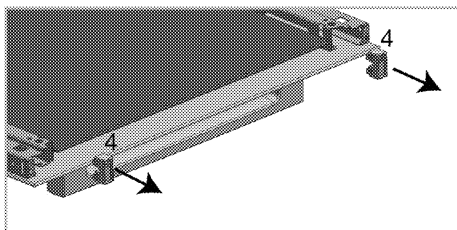
Kao što je prikazano na gornjim slikama, pritisnite jezičke (1) i istovremeno povucite profil (3) prema sebi da izvadite profil koji je pričvršćen na gornjoj strani prednjih vrata.



- 1 Najskrovitija (unutrašnja) staklena ploča
- 2 Unutrašnja staklena ploča*
- 3 Vanjska staklena ploča
- * (Ona se možda neće nalaziti na vašem proizvodu.)

Kao što je prikazano na slici, lagano podignite najskrovitiju staklenu ploču (1) u smjeru 'A' i povucite je van u smjeru 'B'. Ako je vaš proizvod opremljen unutrašnjom staklenom pločom;

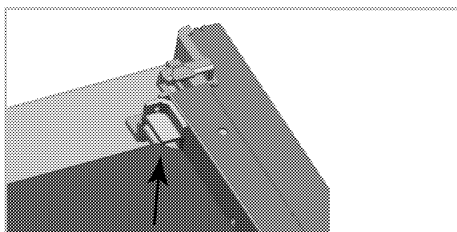
Povucite elemente za povezivanje staklenog držača u sredini kao što je prikazano na slici da ih oslobodite od staklenih ploča.



- 4 Element za povezivanje staklenog držača*
- * (Ona se možda neće nalaziti na vašem proizvodu.)

Ponovite istu proceduru da uklonite unutrašnju staklenu ploču (2). Prvi korak da se ponovo vrata jeste postavljanje unutrašnje staklene ploče (2). Kao što je prikazano na slici, postavite staklenu ploču tako da bude ubačena u plastični prerez.

i U suprotnom staklena ploča neće u potpunosti nalegnuti i može biti izložena vibracijama i pucanju.



Kada postavljate najskrovitiju staklenu ploču (1), budite sigurni da ispisana strana ploče bude okrenuta prema unutrašnjoj staklenoj ploči.

Važno je da donji uglovi najskrovitije staklene ploče nalegnu u plastične proreze.

i U suprotnom staklena ploča neće u potpunosti nalegnuti i može biti izložena vibracijama i pucanju.

Imajte u vidu da dijelove za povezivanje za držanje stakla treba staviti u njihove proreze. Konačno, pritisnite jezičke profila kako bi oni ponovo nalegli u svoje proreze.

Zamjena svjetla u pećnici

! Prije zamjene sijalice u pećnici, budite sigurni da je uređaj isključen iz elektro mreže i ohlađen kako biste izbjegli rizik od elektro šoka. Vruće površine mogu izazvati opekotine!

i U ovoj pećnici koristi se žarulja sa žarnom niti snage manje od 40 W, visine manje od 60 mm, promjera manje od 30 mm ili halogena lampica sa utičnicom tipa G9, snage manje od 60 W. Svjetiljke su pogodne za rad na temperaturama iznad 300 °C. Lampe za pećnicu možete nabaviti od ovlaštenog servisera ili tehničara sa licencom. Ovaj proizvod sadrži lampu energetske klase G.

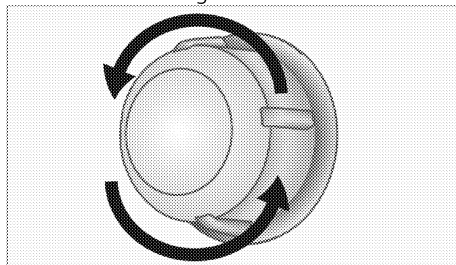
i Pozicija lampice može biti drugačija od one prikazane na slici.

i Lampica koja se koristi u ovom uređaju nije pogodna za osvjetljavanje prostorija u domaćinstvu. Namijenjena upotreba za ovu lampicu je da pomogne korisniku da vidi namirnice.

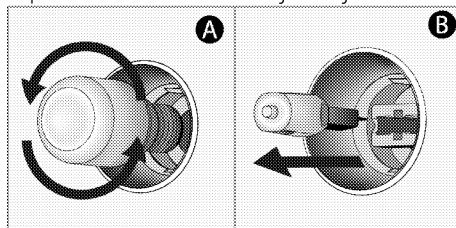
i Lampice koje se koriste u ovom uređaju moraju podnositi ekstremne fizičke uslove kao što su temperature iznad 50°C.

Ukoliko je vaša pećnica opremljena okruglom lampicom:

1. Iskopčajte proizvod sa napajanja.
2. Okrenite stakleni poklopac u smjeru suprotnom od smjera kretanja kazaljke na satu kako biste ga skinuli.



3. Ako je lampica vaše pećnice tipa (A), kako je prikazano na slici u nastavku, izvadite je tako što ćete je rotirati kao što je prikazano i zamijenite je. Ako je lampica tipa (B), povucite je i izvadite kao što je prikazano na slici i zamijenite je.



4. Vratite stakleni poklopac na mjesto.

8 Rješavanje problema

Pećnica ispušta paru kada je u upotrebi.

- Uobičajeno je da tokom rada iz uređaja izlazi para. >>> *Nije riječ o kvaru.*

Proizvod odašilje metalne zvukove dok se zagrijava i hladi.

- Kada se metalni dijelovi zagrijavaju, mogu se širiti i praviti zvukove. >>> *Nije riječ o kvaru.*

Proizvod ne radi.

- Osigurač napajanja je pokvaren ili je pregorio. >>> *Provjerite osigurače u kutiji s osiguračima. Ako je potrebno, zamijenite ih ili vratite u početni položaj.*
- Proizvod nije uključen u (uzemljen) utičnicu. >>> *Provjerite utikač na kablju.*

Svjetlo u pećnici ne radi.

- Sijalica u pećnici je pokvarena. >>> *Zamijenite sijalicu u pećnici.*
- Napajanje je prekinuto. >>> *Provjerite da li ima napajanja. Provjerite osigurače u kutiji s osiguračima. Ako je potrebno, zamijenite ih ili vratite u početni položaj.*

Pećnica se ne zagrijava.

- Funkcija i/ili temperatura nisu podešene. >>> *Podesite funkciju i temperaturu pomoću sklopke/tipke za odabir funkcije ili temperature.*
- Napajanje je prekinuto. >>> *Provjerite da li ima napajanja. Provjerite osigurače u kutiji s osiguračima. Ako je potrebno, zamijenite ih ili vratite u početni položaj.*



Ukoliko ne možete ukloniti problem čak iako ste implementirali uputstva iz ovog odjeljka, posavjetujte se sa ovlaštenim serviserom ili trgovcem kod kojeg ste kupili vaš proizvod. Nikada ne pokušavajte sami popravljati neispravan proizvod.

beko

Ahi Kasutusjuhend



ET



ÜMBERTÖÖDELТУD JA
TAASKASUTATAV PAPER

Tutvuge palun esmalt käesoleva kasutusjuhendiga!

Lugupeetud klient!

Aitäh, et otsustasite Bekou toote kasuks. Loodetavasti jääte selle kaasaegse tehnoloogia järgi valmistatud kvaliteetse toote tööga rahule. Selleks tutvuge enne toote kasutamist hoolikalt kasutusjuhendi ja kõigi kaasasolevate dokumentidega ja hoidke need alles. Kui annate toote üle uuele omanikule, pange kaasa ka kasutusjuhend. Järgige kõiki kasutusjuhendis toodud hoiatusi ja juhiseid.

Pidage meeles, et kasutusjuhendis võib olla juttu mitmest mudelist. Mudelite erinevused on kasutusjuhendis välja toodud.

Sümbolite tähendused

Kasutusjuhendis kasutatakse järgmisi sümboleid:



Oluline teave või kasulikud nõuanded.



Hoiatus eluohtlike või vara kahjustavate olukordade kohta.



Hoiatus elektrilöögi kohta.



Hoiatus tulekahju kohta.



Hoiatus tuliste pindade kohta.



Arçelik A.Ş.

Karaağaç caddesi No:2-6
34445 Sütlüce/Istanbul/TURKEY

Made in TURKEY

**1 Olulised hoiatused ning juhised
ohutuse tagamiseks ja
keskkonna säästmiseks 4**

Üldine ohutus 4
 Elektriohutus..... 5
 Toote ohutu kasutamine..... 5
 Ettenähtud otstarve 8
 Laste ohutuse tagamine 8
 Toote kõrvaldamine kasutuselt 9
 Pakkematerjali kõrvaldamine..... 9
 Toote kõrvaldamine kasutuselt 9

2 Üldine teave 10

Ülevaade..... 10
 Pakendi sisu 11
 Tehnilised andmed..... 12

3 Paigaldamine 13

Enne paigaldamist..... 13
 Paigaldamine ja ühendamine..... 14

4 Ettevalmistused 17

Nõuandeid energia säästmiseks..... 17
 Esimene kasutuskord 17
 Seadme esmane puhastamine..... 17
 Esmane kuumutamine 17

5 Pliidiplaadi kasutamine 19

Üldine teave toiduvalmistamise kohta 19
 Pliidi kasutamine..... 19

6 Kuidas ahju kasutada 21

Üldine teave küpsetamise, röstimise ja
 grillimise kohta..... 21
 Elektriahju kasutamine 21
 Töörežiimid 22
 Küpsetusaegade tabel 22
 Kuidas grilli kasutada 24
 Küpsetamisaegade tabel grillimiseks 24

7 Hoidmine ja hooldus 25

Üldine teave 25
 Pliidi puhastamine 25
 Juhtpaneeli puhastamine 25
 Ahju puhastamine..... 25
 Ahjuukse puhastamine 27
 Ukse siseklaasi eemaldamine 27
 Ahjuvalgusti pirni vahetamine..... 28

8 Probleemide lahendamine 30

1 Olulised hoiatused ning juhised ohutuse tagamiseks ja keskkonna säästmiseks

Käesolev peatükk sisaldab ohutusjuhiseid, mis aitavad teil vältida kehavigastusi ja varalist kahju. Nende juhiste eiramisel kaotab garantii kehtivuse.

Üldine ohutus

- Üle 8-aastased lapsed ja füüsilise, meelevõi vaimupuudega inimesed või isikud, kellel puuduvad vastavad kogemused või teadmised, võivad seadet kasutada juhul, kui nad teevad seda järelevalve all või on saanud seadme kasutamiseks vajalikud juhised ning mõistavad sellega kaasnevaid ohte. Lapsed ei tohi seadmega mängida. Lapsed ei tohi omapead seadet puhastada ja hooldada.
 - Seadet ei tohi kasutada lapsed ega füüsilise, meelevõi vaimse puudega isikud või kogemusteta ja vastavate teadmisteta isikud, kui nad ei tegutse nende ohutuse eest vastutava isiku järelevalve või juhendamise all.
- Lapsed ei tohi seadmega mängida, kui puudub järelevalve.
- Kui toode antakse kellelegi teisele isiklikuks kasutamiseks või uuele omanikule, tuleb anda kaasa ka kasutusjuhend, toote etiketid ja muud olulised dokumendid ja osad.
 - Toodet ei tohi asetada vaibaga kaetud põrandale. Sel juhul on õhuringlus toote all takistatud, mistõttu elektriosad võivad üle kuumeneda. See võib põhjustada toote kasutamisel probleeme.
 - Paigaldus- ja remonttööd tuleb alati jätta volitatud teeninduse hooleks. Tootja ei vastuta kahjude eest, mis tulenevad volitamata isikute tehtud protseduuridest ja võivad muuta garantii kehtetuks. Enne paigaldamist tutvuge hoolikalt juhistega.
 - Ärge kasutage toodet, kui see on rikkis või sellel on nähtavaid vigastusi.
 - Kontrollige pärast iga kasutuskorda, et toote

funktsiooninupud on välja lülitatud.

Elektriohutus

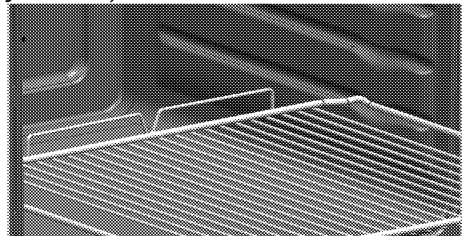
- Rikkis toodet ei tohi kasutada, vaid see tuleb lasta volitatud teeninduses korda teha. Elektrilöögi oht!
- Toote võib ühendada ainult maandatud elektrikontakti/-liiniga, mille pinge ja kaitse vastavad tabelile "Tehnilised andmed". Laske maandus paigaldada kvalifitseeritud elektrikul olenemata sellest, kas kasutate toodet transformaatoriga või ilma. Meie ettevõtte ei vastuta probleemide eest, mis on tingitud toote kasutamisest ilma kohalikele eeskirjadele vastava maanduseta.
- Ärge kunagi peske toodet veega uhtudes või üle kallates! Elektrilöögi oht!
- Paigaldamise, hoolduse, puhastamise ja remondi ajaks tuleb toode vooluvõrgust lahutada.
- Kui toote toitejuhe saab viga, peab tootja, hooldusfirma või vastava kvalifikatsiooniga elektrik ohu vältimiseks selle välja vahetama.
- Kasutage ainult ühendusjuhet, mis vastab tabelile "Tehnilised andmed".

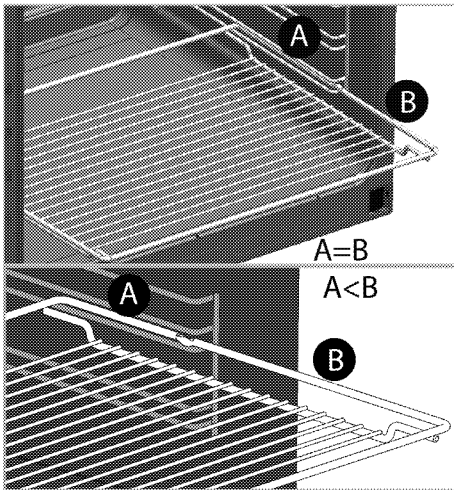
- Seade tuleb paigaldada nii, et selle saab võrgust täielikult lahti ühendada. Lahtiühendamise võimalus tuleb tagada voolupistikuga või püsielektrisüsteemi paigaldatud lülitiga, mis vastab ehitusnõuetele.
- Kasutamisel ahju tagakülge kuumeneb. Veenduge, et elektrijuhtmed ei puutu vastu ahju tagakülge, sest kuumus võib neid kahjustada.
- Ärge muljuge toitejuhet ahjuukse ja korpuse vahele ja ärge asetage seda tuliste pindade peale. Juhtme isolatsioon võib sulada ning lühise tõttu võib tekkida tulekahju.
- Elektriseadmetel ja -süsteemidel peaksid töid teostama ainult volitatud ja vastava kvalifikatsiooniga isikud.
- Kahjustuste tekkimisel lülitage toode välja ning lahutage see vooluvõrgust. Selleks lülitage välja kaitsekork.
- Veenduge, et kaitsme voolutugevus vastab toote niminäitajatele.

Toote ohutu kasutamine

- **HOIATUS:** Seade ja selle välispinnad muutuvad

- kasutamise käigus tuliseks. Kindlasti tuleb hoiduda kokkupuutest kuumutuselementidega. Alla 8-aastased lapsed tuleb seadmest eemal hoida, välja arvatud juhul, kui nad on täiskasvanu pideva jälgimise all.
- Ärge kasutage toodet, kui mõtlemisvõime või koordinatsioon on alkoholi ja/või uimastite tarbimise tagajärjel halvenenud.
 - Olge toitudesse alkoholiseid jooke lisades ettevaatlik. Kõrgel temperatuuril alkohol aurustub ning võib tuliste pindadega kokku puutudes põhjustada tulekahju.
 - Ärge asetage toote lähedusse kergestisüttivaid materjale, kuna selle küljed võivad kasutamise ajal kuumeneda.
 - Kasutamise käigus seade kuumeneb. Kindlasti tuleb hoiduda kokkupuutest ahju sees paiknevate kuumutuselementidega.
 - Ärge tõkestage ventilatsiooniavasid.
 - Ärge kuumutage ahjus suletud konservikarpe ja klaaspurke. Purgis tekkida võiva surve tagajärjel võib see lõhkeda.
 - Ärge asetage küpsetusplaate, nõusid või fooliumit ahju põhja. Kogunev kuumus võib ahju põhja kahjustada.
 - Ärge kasutage ahju ukseklaasi puhastamiseks tugevatoimelisi abrasiivseid puhastusvahendeid ega teravaid metallkraabitsaid, sest need võivad pinda kriimustada ning põhjustada klaasi purunemise.
 - Ärge kasutage puhastamiseks aurupuhasteid, muidu võite saada elektrilöögi.
 - (Varieerub olenevalt toote mudelist.)
Traatresti ja ahjuplaadi asetamine siinidele
Traatrest ja/või ahjuplaat tuleb kindlasti asetada siinidele õigesti. Lükake traatrest või küpsetusplaat kahe siini vahele ja enne sellele toidu asetamist veenduge, et see püsib kindlalt paigal (vt allolevat joonist).





- Arge kasutage toodet, kui selle esiukse klaas on eemaldatud või mõranenud.
- Toitu kuuma ahju pannes või välja võttes kasutage alati kuumuskindlaid pajakindaid.
- Katke pann või ahjutarvik (nt plaat või rest) küpsetuspaberiga, asetage selle peale toit ning pange kõik eelsoojendatud ahju. Üle ahjutarviku või panni ääre ulatuv küpsetuspaber tuleb eemaldada, et see ei puutuks kütteelementidega kokku. Ärge kunagi kasutage küpsetuspaberit küpsetuspaberi jaoks ettenähtud temperatuurist kõrgemal temperatuuril. Ärge kunagi asetage küpsetuspaberit vahetult ahjupõhjale.

- **HOIATUS:** Enne lambipirni vahetamist veenduge, et seadme toitejuhe on pistikust eemaldatud või seade on välja lülitatud - muidu võite saada elektrilöögi.
- Ärge sulgege kaant enne, kui keeduplaadid või põletid on maha jahtunud. Enne avamist pühkige kaas kuivaks, et vesi ei voolaks ahju tagaküljele ja sisemusse.
- Ülekuumenemise vältimiseks ei tohi seadet paigaldada dekoratiivse ukse taha.
- Toode tuleb paigutada otse põrandale. Seda ei tohi asetada aluse või postamendi peale.
- **HOIATUS:** Rasva või õli sisaldava anuma jätmine pliidile järelevalveta on ohtlik ja võib põhjustada tulekahju. ÄRGE üritage tuld kustutada veega, vaid lülitage seade välja ja seejärel katke leek nt pajakaane või tuletেকiga kinni.
- **TÄHELEPANU:** Küpsetamistoimingut peab jälgima. Lühiajalist küpsetamistoimingut peab pidevalt jälgima.

- **HOIATUS:** Tuleoht: Ärge hoidke keedupindadel esemeid.
- Seade ei ole mõeldud kasutamiseks välise taimeri või eraldi kaugjuhtimissüsteemiga.
- **HOIATUS:** Kasutage ainult seadme külge paigaldatud, tootja poolt valmistatud või kasutusjuhendis soovitatud kaitsepiirdeid. Ebasobivate kaitsepiirete kasutamine võib lõppeda õnnetusega.
- Toote tuleohutuse tagamine:
 - Veenduge, et pistik on kindlalt pesas, et ei tekiks sädemeid.
 - Ärge kasutage kahjustatud või vigastatud juhet. Samuti ei tohi kasutada pikendusjuhet.
 - Vältige niiskuse või vedeliku sattumist toote ühendamiseks kasutatud pistikupesale.
- Toodet ei tohi kasutada taldrikute soojendamiseks grillielemendi all, kääteratikute ja nõudepesulappide vms kuivatamiseks (riputades need käepidemete külge) ja kütmiseks.
- Tootja ei võta mingit vastutust ebaõige kasutamise või käsitlemise tagajärjel tekkinud kahjude eest.
- Ahju võib kasutada toidu sulatamiseks, küpsetamiseks, hautamiseks ja grillimiseks.

Laste ohutuse tagamine

- **HOIATUS:** Ligipääsetavad osad võivad kasutamisel kuumeneda. Väikelapsed tuleb eemal hoida.
 - Pakkematerjalid on lastele ohtlikud. Hoidke pakkematerjale väljaspool laste käeulatust. Käideldel kõiki pakendijäätmeid vastavalt keskkonnastandarditele.
 - Elektriseadmed on lastele ohtlikud. Hoidke lapsed töötavast seadmest eemal ja ärge laske neil seadmega mängida.
 - Ärge asetage seadme kohale asju, mida lapsed võiksid üritada kätte saada.
- Ettenähtud otstarve**
- Toode on mõeldud ainult kodukasutuseks. Kasutamine ettevõtluses ei ole lubatud.
 - **TÄHELEPANU:** Seade on mõeldud ainult toidu valmistamiseks. Seda ei tohi kasutada muuks otstarbeks, näiteks ruumi kütmiseks.

- Kui uks on avatud, ärge toetage sellele raskeid asju ja ärge lubage lastel selle peal istuda. Muidu võib uks alla vajuda või hinged kahjustada saada.

Toote kõrvaldamine kasutuselt **WEEE direktiivi täitmine ja romu-seadme kõrvaldamine:**



Seade vastab Euroopa Liidu WEEE direktiivile (2012/19/EL). Seadmel on elektri- ja elektroonikaseadmete jäätmete (WEEE) liigiti kogumise tähis.

Seade on valmistatud kvaliteetsetest osadest ja materjalidest, mis sobivad ringlussevõtmiseks ja taaskasutamiseks. Ärge visake tarbetuks muutunud seadet tavalise olmeprügi ega muude jäätmete hulka. Viige see elektri- ja elektroonikajäätmete kogumispunkti. Kogumispunktide kohta saate täpsemat teavet kohalikust omavalitsusest.

RoHS-direktiivi täitmine:

Seade vastab Euroopa Liidu RoHS-direktiivile (2011/65/EL). See ei sisalda direktiivis mainitud kahjulikke ja keelatud materjale.

Pakkematerjali kõrvaldamine

- Pakkematerjalid on lastele ohtlikud. Hoidke pakkematerjale ohutus kohas, kust lapsed neid kätte ei saa. Toote pakend on valmistatud taaskasutatavatest materjalidest. Kõrvaldage pakkematerjalid nõuetekohaselt ja sorteerige vastavalt taaskasutatavate jäätmete kogumise eeskirjadele. Ärge visake neid olmeprügi hulka.

Toote kõrvaldamine kasutuselt

- Hoidke toote originaalkarp alles ja kasutage seda toote transportimiseks. Järgige karbile märgitud juhiseid. Kui teil originaalkarpi pole, pakkige toode mullikillesse või paksu kargongi sisse ja kinnitage kindlalt teibiga.
- Et traatrest ja ahjus asuv küpsetusplaat ei saaks kahjustada ahju ust, asetage ahju ukse siseküljele papiriba, mis oleks küpsetusplaatidega ühel joonel. Teipige ahju uks külgseinte külge.
- Ärge kasutage toote töstmiseks või liigutamiseks ust ega uksekäepidet.



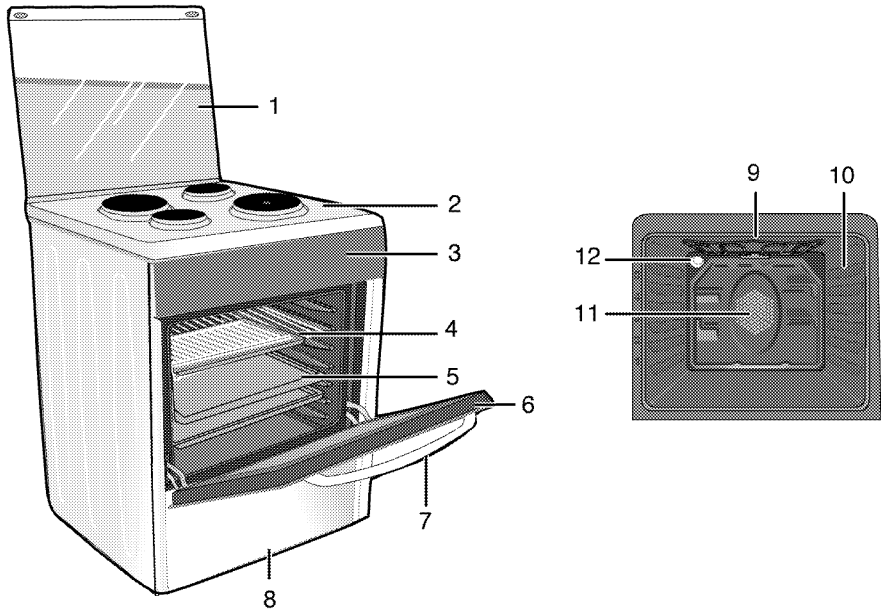
Ärge asetage tootele esemeid ja hoidke seda teisaldamise ajal püstiasendis.



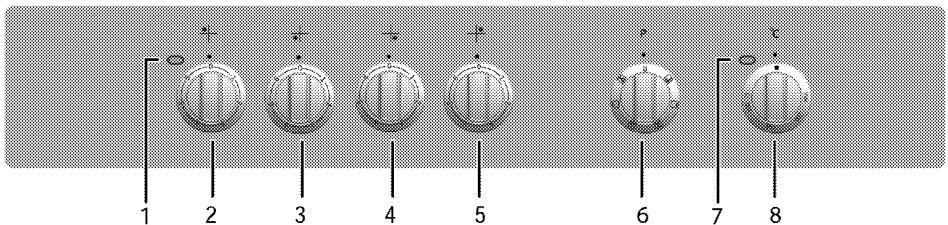
Kontrollige toote üldilmet, et avastada võimalikke transpordi käigus tekkinud defekte.

2 Üldine teave

Ülevaade



- | | |
|------------------|--|
| 1 Ülemine paneel | 7 Käepide |
| 2 Põletiplaat | 8 Alumine osa |
| 3 Juhtpaneel | 9 Grilli kuumutuselement |
| 4 Traatrest | 10 Riili asendid |
| 5 Kandik | 11 Ventilatori mootor (terasplaadi taga) |
| 6 Eesuks | 12 Tuli |



- | |
|--------------------------------|
| 1 Hoiatustuli |
| 2 Kuumutusplaat Vasak tagumine |
| 3 Kuumutusplaat Vasak esimene |
| 4 Kuumutusplaat Parem esimene |
| 5 Kuumutusplaat Parem tagumine |
| 6 Funktsiooninupp |
| 7 Termostaadilamp |
| 8 Termostaatnupp |

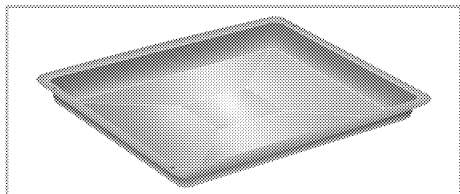
Pakendi sisu

i Lisavarustus võib sõltuvalt toote mudelist varieeruda. Kõiki kasutusjuhendis kirjeldatud lisasid ei pruugi teie tootel olla.

1. Kasutusjuhend

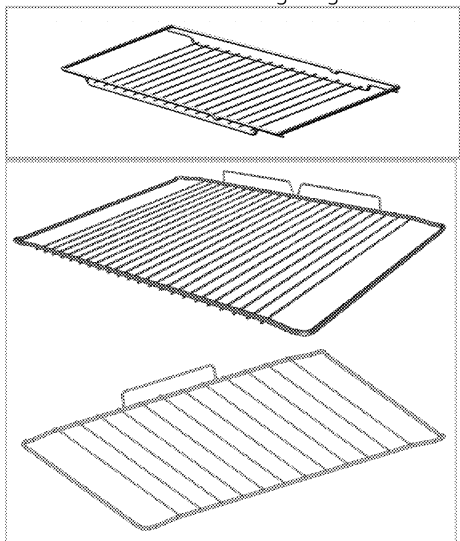
2. Hariik plaat

Kasutatakse küpsetiste, külmutatud toitude ning suurte praadide valmistamiseks.



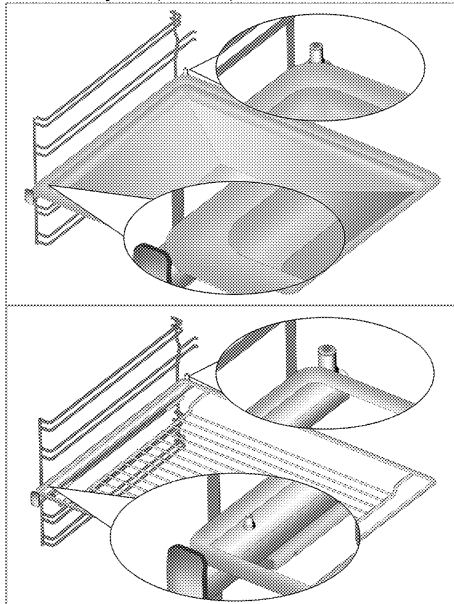
3. Traatrest

Kasutatakse praadide valmistamiseks või haudenõus valmistatavate roogade asetamiseks soovitud kõrgusega siinile.



4. Traatresti ja küpsetusplaadi asetamine teleskoopsiinidele (See funktsioon on valikuline. Teie tootel ei pruugi seda olla.)



Teleskoopsiinid võimaldavad küpsetusplaate ja traatresti hõlpsasti ahju panna ja ahjust välja võtta. Kui kasutate küpsetusplaati ja traatrestit teleskoopsiinidega, peavad tihvtid teleskoopsiinide tagaosas toetuma traatresti ja küpsetusplaadi servade vastu.




Tehnilised andmed

ÜLDANDMED	
Välismõõtmed (kõrgus/laius/sügavus)	850 mm/500 mm/600 mm
Pinge/sagedus	220-240 V/380-415 V ~ 3N 50 Hz
Energiatarve kokku	7.5 kW
Juhtme tüüp/ristlõige	minH05VV-FG 5 x 1,5 mm ² / 3 x 2,5 mm ²
PLIIT	
Põletid	
Vasak tagumine	Kuumutusplaat
Suurus	145 mm
Võimsus	1000 W
Vasak esimene	Kuumutusplaat
Suurus	180 mm
Võimsus	2000 W
Parem esimene	Kuumutusplaat
Suurus	145 mm
Võimsus	1000 W
Parem tagumine	Kuumutusplaat
Suurus	180 mm
Võimsus	1500 W
AHI/GRILL	
Peamine ahi	Küpsetusventilaator
Sisevalgusti	15 25 W
Grilli energiatarve	1.6 kW

Põhialused: teave elektriühjude energiamärgise kohta on esitatud vastavalt standardile EN 60350-1 / IEC 60350-1. Need väärtused on saadud standardkoormusel alumise-ülemise kuumutiga või ventilaatoriga kuumutusrežiimis (kui see on olemas).
Energiaühjuse klass määratakse vastavalt järgmistele prioriteetidele olenevalt sellest, kas vastav funktsioon on tootel olemas või mitte. 1 _ Õkonoomne ventilaatoriga kuumutamine, 2 _ Üliaeglane kuumutamine, 3 _ Kiire kuumutamine, 4 _ Ventilaatoriga kuumutamine (ülemine ja alumine küttekeha), 5 _ Ülemise ja alumise küttekehaga kuumutamine.

-  Toote kvaliteedi parandamiseks võidakse tehnilisi andmeid etteteatamiseta muuta.
-  Kasutusjuhendis toodud joonised on skemaatilised ning ei pruugi teie tootega täpselt kokku langeda.

-  Tootel olevatel etiketidel või tootega kaasas olevas dokumentatsioonis toodud väärtused on saadud laboritingimustes vastavalt asjaomastele standarditele. Olenevalt toote töö- ja keskkonningimustest võivad tegelikud väärtused varieeruda.

3 Paigaldamine

Toode tuleb lasta paigaldada pädeval spetsialistil vastavalt kehtivatele eeskirjadele. Muidu muutub garantii kehtetuks. Tootja ei vastuta kahjude eest, mis tulenevad volitamata isikute tehtud protseduuridest ja võivad muuta garantii kehtetuks.

i Toote paigalduskoha ning elektrisüsteemi ettevalmistamine on kliendi ülesanne.

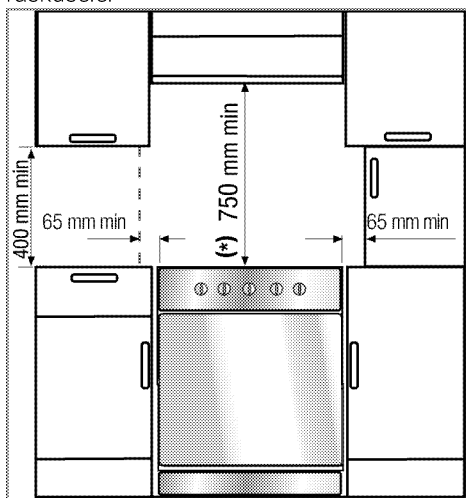
! Toote paigaldamisel tuleb järgida kõiki gaasi- ja elektrisüsteemidele kehtestatud kohalikke eeskirju.

! Enne paigaldamist vaadake üle, kas tootel ei ole defekte. Defektide esinemisel ärge laske toodet paigaldada. Kahjustatud toode võib kujutada ohtu.

Enne paigaldamist

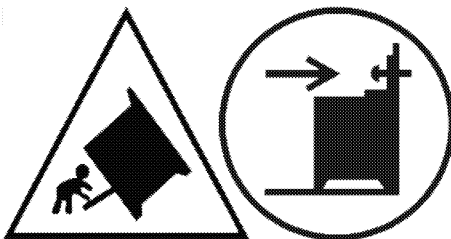
Et seadme all oleks tagatud vajalik õhuvähe, soovime selle paigaldada kindlale pinnale ja jälgida, et seadme jalad ei vajuks vaiba või pehme põrandakatte sisse.

Köögipõrand peab vastu pidama seadme ja lisaks köögi- ja küpsetustarvete ning toidu raskusele.



- See toode on 1. klassi seade vastavalt standardile EN 30-1-1, mis tähendab, et seda võib paigutada tagaosa ja **ühe** küljega vastu seinu, köögimööblit või igas suuruses seadmeid. **Teisel** küljel paiknev köögimööbel või seade võib olla kas sama suur või väiksem.
- Seadet võib kasutada köögikappide vahel, kuid selleks, et pliidiplaadi kohal oleks vähemalt 400 mm vaba ruumi, paigutage seade nii, et see asetseks seintest, vaheseintest ja kõrgetest kappidest vähemalt 65 mm kaugusel.
- Seda võib kasutada ka vabalt seisvas asendis. Jätke pliidi pinna kohale vähemalt 750 mm vaba ruumi.
- (*) Kui kavatsete paigaldada pliidi kohale õhupuhasi, valige selle paigalduskõrgus vastavalt tootja juhiste. Kui kapoti kasutusjuhendis pole suurust määratletud, peaks see kõrgus olema vähemalt 650 mm.
- Igasugune seadme kõrval asuv köögimööbel peab olema kuumuskindel (vähemalt 100 °C).

! **Hoiatus - kallutusoh!**



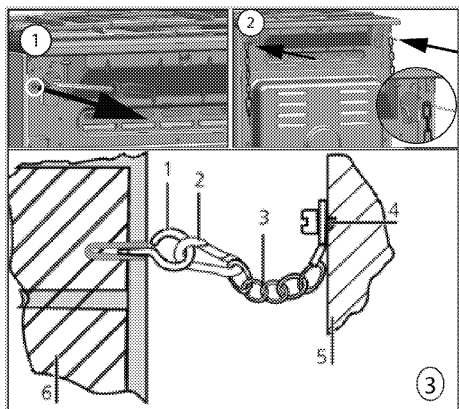
Hoiatus: Seadme ümbermineku vältimiseks tuleb paigaldada see stabiliseerimisvahend. Vaadake paigaldusjuhendit.

Ohutuskett

Kui teie tootel on 2 ohutusketti.

Seade tuleb ümbermineku vältimiseks kinnitada, kasutades kahte ahju juurde kuuluvat ohutusketti.

Kinnitage konks (1) sobiva tüübi abil köögiseina (6) külge ja ühendage ohutuskett (3) lukustusmehhanismi (2) kaudu konksuga.

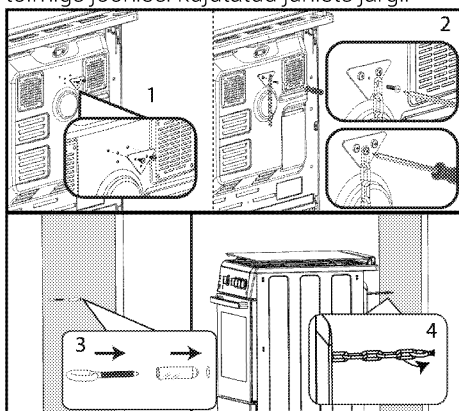


- 1 Fikseerimiskonks
- 2 Lukustusmehhanism
- 3 Ohutuskett
- 4 Kinnitage kett kindlalt seadme tagaosale külge
- 5 Seadme tagakülge
- 6 Köögisein

Kui teie tootel on 1 ohutuskett.

Seade tuleb ümbermineku vältimiseks kinnitada, kasutades ühte ahju juurde kuuluvat ohutusketti.

Ohutusketi toote külge kinnitamiseks toimige joonisel kujutatud juhiste järgi.



- i** Stabiliseerimiskett peab olema võimalikult lühike ja paiknema diagonaalselt, et ahi ei kalduks ette ega küljele.

Pliidi stabiliseerimisketil pole ava kronsteini kinnitamiseks.

Paigaldamine ja ühendamine

Toodet tohib paigaldada ja ühendada ainult vastavalt ametlikele paigalduseeskirjadele.

- i** Ärge paigaldage toodet külmkappide ega sügavkülmikute kõrvale. Tootest eralduv soojus suurendab jahutusseadmete energiatarvet.

- Kandke toodet vähemalt kahe inimesega.
- Toode tuleb paigutada otse põrandale. Seda ei tohi asetada aluse või postamendi peale.

- i** Ärge kasutage toote tõstmiseks või liigutamiseks ust ega uksekäepidid. Uks, käepide või hinged võivad kahjustada saada.

Elektriühendused

Ühendage toode maandatud elektrikontakti/-liiniga, millel on sobivate näitajatega minikaitselüliti (vt tabelit "Tehnilised andmed"). Laske maandus paigaldada kvalifitseeritud elektrikul olenemata sellest, kas kasutate toodet transformaatoriga või ilma. Meie ettevõtte ei vastuta kahjude eest, mis on tingitud toote kasutamisest ilma kohalikele eeskirjadele vastava maanduseta.

- !** Toote võivad vooluvõrku ühendada ainult autoriseeritud ja kvalifitseeritud isikud. Toote garantiaeg algab alles pärast nõuetekohast paigaldamist. Tootja ei vastuta kahjude eest, mis tulenevad volitamata isikute tehtud protseduuridest.

- !** Toitejuhet ei tohi kinnitada klambritega, väänata ega muljuda ning see ei tohi puutuda kokku toote kuumenevate osadega. Kahjustatud toitejuhtme peab välja vahetama kvalifitseeritud elektrik. Muul juhul tuleb arvestada elektrilöögi, lühise või tulekahju ohuga!

Võrgutoite näitajad peavad vastama seadme tüübisildile märgitud andmetele. Reitinguplaati on näha, kui uks või alumine

kate on avatud, või kui see asub seadme tagaküljes, sõltuvalt seadme tüübist. Toote toitejuhe peab vastama tehniliste andmete tabelis toodud väärtustele.

! Enne elektritööde tegemist ühendage toode vooluvõrgust lahti. Elektrilöögi oht!

Toitejuhtme ühendamine

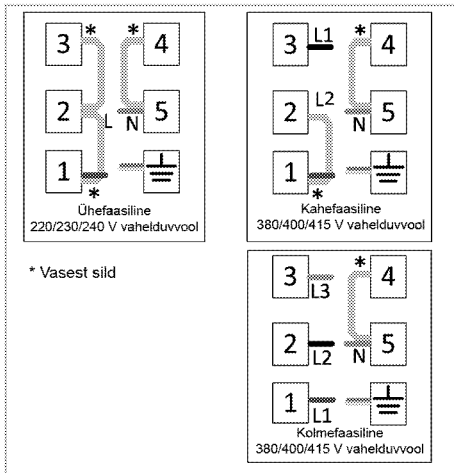
i Juhtmestiku paigaldamisel tuleb järgida elektrisüsteemidele kehtestatud siseriiklikke/kohalikke eeskirju ning kasutada ahju jaoks sobivat elektrikontakti/-liini ja pistikut. Kui toote võimsus on suurem kui pistiku ja elektrikontakti/-liini (kestev) taluvusvool, tuleb toode ühendada püsielektrisüsteemi otse, kasutamata pistikut ja elektrikontakti/-liini.

1. **Kui tootega ei ole kaasas toitejuhet**, tuleb sellega ühendada toitejuhe, mis valitakse tabelist (*Tehnilised andmed, lk 12*) vastavalt teie kodus olevale elektrisüsteemile, järgides ühendusskeemil toodud juhiseid.

Kui toitevoolu kõiki poolusi ei ole võimalik lahutada, tuleb ühendada vähemalt 3 mm kontaktivahega voolukatkestusseade (kaitse, liinikatkestuslülit, kontaktor) ja kõik voolukatkestusseadme poolused peavad vastavalt IEE direktiividele paiknema toote kõrval (mitte kõrgemal). Selle juhise eiramine võib põhjustada probleeme toote kasutamisel ja muuta garantii kehtetuks.

i Soovitav on kasutada lisakaitseks jääkvoolukatkestit.

2. Avage kruvikeeraja abil klemmikarbi kaas.
3. Pange toitejuhe läbi juhtmeklambr terminali all ja kinnitage see juhtmepinguti kaudu sisseehitatud kruviga põhiseadme külge.
4. Ühendage juhtmed kaasasoleva diagrammi abil.



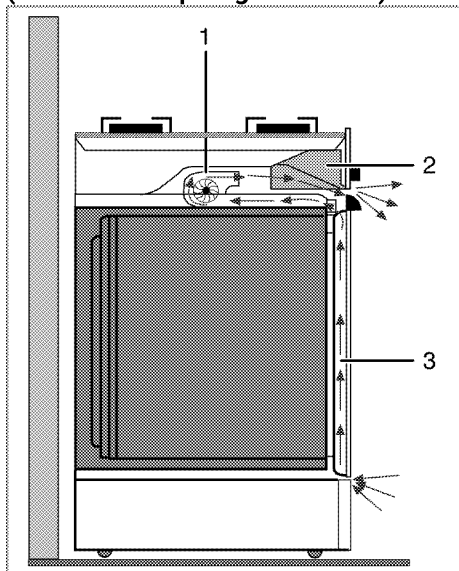
* Vasest sild

5. Pärast juhtmete ühendamist sulgege klemmikarbi kaas.
6. Paigutage toitejuhe nii, et see ei puutu vastu toodet, ning vältige selle surumist toote ja seina vahele.

i Ohutuse tagamiseks ei tohi juhe olla pikem kui 2 meetrit.

- Lükake toode kõõgiseina juurde.
- **Ahju jalgade reguleerimine**
Töötava seadme vibreerimisel võivad küpsetusnõud paigast nihkuda. Seadme loodimise ja tasakaalustamisega on võimalik niisugust ohtlikku olukorda vältida. Kasutajate ohutuse tagamiseks tuleb toode loodida. Selleks keeratakse nelja jalga (põhja all) vasakule või paremale ja rihitakse ahi tööpinnaga ühele joonele.

Jahutusventilaatoriga toodete puhul (Teie tootel ei pruugi seda olla.)



- 1 Jahutusventilaator
- 2 Juhtpaneel
- 3 Uks

Jahutusventilaator jahutab nii juhtpaneeli kui ka seadme esikülge.

i Jahutusventilaator töötab pärast ahju väljalülitamist veel umbes 20–30 minutit.

Lõppkontroll

1. Ühendage toode uuesti vooluvõrku.
2. Kontrollige elektrifunktsioone.

4 Ettevalmistused


Nõuandeid energia säästmiseks

Alljärgnevad nõuanded aitavad teil oma seadet kasutada ökoloogilisel viisil ja säästa energiat:

- Kasutage ahjus tumedaid ja emailkattega küpsetusnõusid, kuna need juhivad paremini soojust.
- Roogade valmistamisel eelkuumutage ahju, kui nii on soovitatud kasutusjuhendis või retseptis.
- Küpsetamise ajal vältige ahjuukse sagedast avamist.
- Kui vähegi võimalik, küpsetage ahjus korraga mitut rooga. Traatrestile võib asetada kaks hautamisanumat.
- Samuti võib valmistada mitu rooga üksteise järel. Ahi on juba eelnevalt kuum.
- Saate säästa energiat, kui lülitate ahju välja mõned minutid enne küpsetusaja lõppu. Ärge avage ahjuust.
- Külmutatud road sulatage enne kuumutamist üles.
- Kasutage hautamisel kaantega potte/panne. Ilma kaaneta võib kuluda kuni 4 korda rohkem energiat.
- Valige põleti, mille läbimõõt vastab kasutatava poti/panni läbimõõdule. Kasutage roogade valmistamisel alati sobiva suurusega kastrulit. Suuremad potid/pannid vajavad rohkem energiat.
- Elektripliidi puhul kasutage lameda põhjaga potte. Paksu põhjaga potid juhivad paremini soojust. Saate säästa kuni kolmandiku elektrist.
- Keedunõud ja pannid peavad vastama keeduplaadi suurusele. Poti või panni põhi ei tohi olla keeduplaadist väiksem.
- Hoidke keeduplaadid ja pottide/pannade põhjad puhtad. Mustus halvendab soojusülekanne keeduplaadi ja keedunõu põhja vahel.
- Pikema valmistusaja korral lülitage keeduplaat 5 kuni 10 minutit enne valmistusaja lõppu välja. Jääkuumuse kasutamisel saate säästa kuni 20% energiat.
- Teavet energiatõhususe kohta vastavalt EL 66/2014 leiате tootega kaasasolevast tootekirjeldusest.

Esimene kasutuskord

Seadme esmane puhastamine

-  Mõned puhastusained või -vahendid võivad pinda kahjustada. Ärge kasutage tugevatoimelisi puhastusaineid, puhastuspulbrit või -pastat ega teravaid esemeid.

1. Eemaldage kõik pakkematerjalid.
2. Pühkige seadme pindu niiske lapi või käsnaga ja kuivatage lapiga.

Esmase kuumutamise

Kuumutage toodet umbes 30 minutit ning seejärel lülitage see välja. Selle käigus põlevad ära võimalikud tootmisjääd või määrdekihid.



Kuumad pinnad tekitavad põletusi! Toode võib kasutamisel olla kuum.

Ärge kunagi puudutage kuumi põleteid, ahju sisekülg, kütteelemente jne. Hoidke lapsed eemal!

Toite kuuma ahju pannes või välja võttes kasutage alati kuumuskindlaid pajakindaid.

Elektriahi

1. Võtke kõik küpsetusplaadid ja traatrest ahjust välja.
2. Sulgege ahjuuks.
3. Valige staatiline asend.
4. Valige kõige võimsam grilli kuumutusaste, vt *Elektriahju kasutamine, lk 21*.
5. Laske ahjul töötada umbes 30 minutit.
6. Lülitage ahi välja, vt *Elektriahju kasutamine, lk 21*.

Grillahi

1. Võtke kõik küpsetusplaadid ja traatrest ahjust välja.
2. Sulgege ahjuuks.
3. Valige kõige võimsam grilli kuumutusaste, vt *Kuidas grilli kasutada, lk 24*.
4. Laske ahjul töötada umbes 15 minutit.
5. Lülitage grill välja, vt *Kuidas grilli kasutada, lk 24*.

Keeduplaat

1. Enne esimest kasutamist peavad kõik tootmisjäägid või määrdekihid ära põlema. Lülitage tühi keeduplaat 8 minutiks keskmisele temperatuurile. Selleks ajaks ei tohi asetada keeduplaadile potte ega muid anumaid.



Seadme esimesel kasutuskorral võib paari tunni vältel esineda suitsu ja ebameeldivat lõhna. See on normaalne. Suitsu ja lõhna eemaldamiseks tuulutage ruumi. Vältige tekkiva suitsu ja lõhna sissehingamist.

5 Pliidiplaadi kasutamine

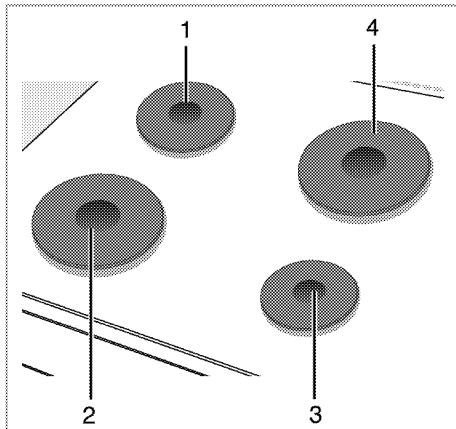
Üldine teave toiduvalmistamise kohta



Ärge kunagi pange pannile õli rohkem kui kolmandiku ulatuses. Õli kuumutamisel ärge jätke pliiti järelevalveta. Õli ülekuumenemisega kaasneb tulekahju oht. **Ärge kunagi üritage kustutada tuld veega!** Õli süttimisel summutage leegid tuletuki või märja lapiga. Lülitage pliit välja, kui seda saab ohutult teha, ja helistage tuletõrjesse.

- Enne toiduainete praadimist kuivatage need hoolikalt ja asetage ettevaatlikult kuumale õli sisse. Külmutatud toiduained tuleb enne praadimist täielikult üles sulatada.
- Õli kuumutamisel ärge katke anumad kaanega.
- Jälgige, et pottide ja pannide sangad ei jääks pliidi kohale, et vältida nende kuumenemist. Ärge asetage pliidile kõikuvaid ja kergesti ümberminevaid keedunõusid.
- Ärge asetage sisselülitatud keedualadele tühje potte või panne. See võib neid kahjustada.
- Kui keedualal ei ole potti või panni ja see töötab tühjal, võivad tagajärjeks olla toote kahjustused. Kui olete toidu valmistamise lõpetanud, lülitage keedualad välja.
- Kuna toote pind võib olla tuline, ärge asetage sellele plastist või alumiiniumist nõusid. Sellistes nõudes ei tohiks hoida ka toitu.
- Kasutage ainult lameda põhjaga potte või panne.
- Pange potti või pannile sobiv kogus toitu. Nii ei voola toit üle äära ja säästate end pliidi puhastamisest. Ärge asetage poti- või pannikaasi keedualadele. Jälgige, et potid ja pannid asetseksid keeduala keskel. Kui soovite panna poti teisele keedualale, ärge libistage seda, vaid tõstke üles ja asetage soovitud keedualale.

Pliidi kasutamine



- 1 Kuumutusplaat 14-16 cm
- 2 Kuumutusplaat 18-20 cm
- 3 Kuumutusplaat 14-16 cm
- 4 Kuumutusplaat 18-20 cm on nimekiri vastavatele põletitele sobivate pottide diameetritest.

Keeduplaatide kasutamine

Pliidi nuppe saab keerata mõlemas suunas, mis võimaldab reguleerida temperatuuri sammhaaval.



Kui pliidil on võimenduse funktsiooniga keeduplaadid, on vastav keeduplaat tähistatud punase täpiga.

Ülekuumenemiskaitse

Keeduplaatidel võimsusega üle 1000 W on ülekuumenemiskaitse.

Ülekuumenemiskaitse vähendab keeduplaadi võimsust järgmistel tingimustel:

- Keeduplaadil ei ole potti või panni.
- Keeduplaadil on tühi pott või pann.
- Poti/panni põhi ei ole lame.

Keeduplaatide sisselülitamine

Keeduplaate saate juhtida vastavate nuppudega. Keerake keeduplaadi nupp soovitud kuumusastme valimiseks vastavasse asendisse.

Kuumusaste	1	2 3	4 6
	soojendamine	hautamine, kuumutamine	hautamine, praadimine, keetmine

Keeduplaatide väljalülitamine

Keerake keeduplaadi nupp väljalülitatud (ülemisse) asendisse.

6 Kuidas ahju kasutada

Üldine teave küpsetamise, röstimise ja grillimise kohta



Kuumad pinnad tekitavad põletusi!
Toode võib kasutamisel olla kuum.

Ärge kunagi puudutage kuumi põleteid, ahju sisekülgi, kütteelemente jne. Hoidke lapsed eemal!

Toite kuuma ahju pannes või välja võttes kasutage alati kuumuskindlaid pajakindaid.



Ahjuukse avamisel olge ettevaatlik, sest ahjust võib välja paiskuda auru. Väljuv aur võib kõrvetada käsi, nägu ja/või silmi.

Nõuanded küpsetamiseks

- Kasutage külgevõtmatu kattega sobivaid metall- või alumiiniumnõusid või kuumuskindlaid silikoonvorme.
- Kasutage raami pinda nutikalt.
- Asetage küpsetusvorm resti keskele.
- Enne ahju või grilli sisselülitamist valige õige riulivahe. Ärge vahetage riulivahet, kui ahi on kuum.
- Hoidke ahjuuks suletuna.

Nõuanded röstimiseks

- Terve kana, kalkun ja suured lihatükid küpsevad paremini läbi, kui neid immutada kastmega, nt sidrunimahla ja musta pipraga.
- Kontidega liha küpsetamiseks kulub samas mõodus kontideta lihaga võrreldes umbes 15–30 minutit kauem aega.
- Liha iga sēntimeetri kohta (paksus) tuleb küpsemisaega arvestada umbes 4–5 minutit.
- Laske lihal pärast küpsetusaja lõppu umbes 10 minutit ahjus jahtuda. Mahl jaguneb paremini üle kogu liha ja ei jookse liha lõikamisel välja.
- Kala tuleb asetada kuumuskindla alusega keskmisele või alumisele siinile.

Nõuanded grillimiseks

Liha, kala ja linnuliha muutuvad grillimisel kiirelt pruuniks, saavad kena kooriku ja ei muutu kuivaks. Eriti hästi sobivad

grillimiseks lapikud tükid, lihavardad ja vorstid, aga ka suure veesisaldusega köögiviljad (nt tomatid ja sibulad).

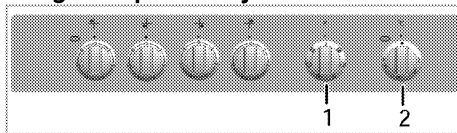
- Jaotage grillitavad tükid traatrestile või küpsetusplaadile nii, et nad ei jääks kuumuti välispiiridest välja.
- Lükake traatriul või restiga küpsetusplaat ahjus soovitud siinile. Kui kasutate grillimisel traatriulit, lükake alumisele siinile küpsetusplaat, et rasv maha ei tilguks. Ahju tuleb lükata küpsetusplaat, mis katab kogu grillimisala. Plaati ei pruugi tootega kaasas olla. Lisage küpsetusplaadile veidi vett, et seda oleks kergem puhastada.



Grillimiseks sobimatud toiduained võivad põhjustada tulekahju. Grillige ainult suurel kuumusel grillimiseks sobilikku toitu. Ärge paigutage grillitavat toitu liiga kaugele ahju tahaossa. See on kõige kuumem piirkond ning rasvane toit võib süttida.

Elektriahju kasutamine

Valige temperatuur ja töörežiim



- 1 Funktsiooninupp
- 2 Termostaatnupp

1. Seadke funktsiooninupp soovitud töörežiimile.
2. Seadke temperatuurinupp soovitud temperatuurile.

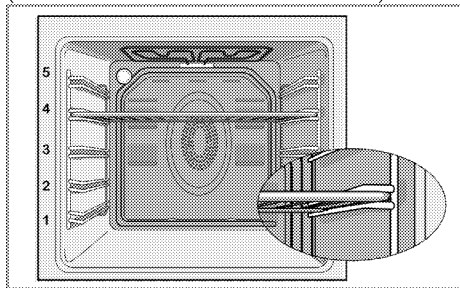
» Ahi kuumeneb eelseatud temperatuurini ja jääb sellele püsima. Kuumenemise ajal on temperatuurituli sees.

Elektriahju väljalülitamine

Keerake funktsiooninupp ja temperatuurinupp väljalülitatud (ülemisse) asendisse.

Oluline on asetada traatrest traatriulile õigesti. Traatrest tuleb asetada traatriulite vahele, nagu joonisel näidatud.

Ärge lükake traatresti vastu ahju tagaseina. Et grill töotaks tõhusalt, lükake traatrest riuli esiserva juurde ja fikseerige see ukse abil. (Varieerub olenevalt toote mudelist.)



Töörežiimid

Siin näidatud töörežiimide järjekord võib erineda teie toote süsteemist.

Ülemine ja alumine kuumutus



Töötavad nii ülemine kui ka alumine küttekeha. Toitu kuumutatakse korraga nii pealt kui ka alt. Sobib näiteks kookide ja taigatoodete või vormikookide ja -roogade valmistamiseks. Kasutage küpsetamiseks korraga ainult ühte panni.

Alumine kuumutus



Töötab ainult alumine küttekeha. Sobib pitsa valmistamiseks ja toidu pruunistamiseks altpoolt.



Seda funktsiooni tuleb kasutada ka hõlpsaks auruga puhastamiseks.

Alumine/ülemine kuumutus koos ventilaatoriga



Töötavad ülemine kuumutus, alumine kuumutus ja ventilaator (tagaseinas). Kuumutatud õhk kandub ventilaatori toimel kiiresti üle terve ahju. Kasutage küpsetamiseks korraga ainult ühte panni.

Täisgrill



Töötab suur grill ahju laes. See sobib suure hulga liha grillimiseks.

- Pange suured või keskmise suurusega portsjonid grillimiseks grilli all õigesse riulivahesse.
- Pärast poolt grillimisaega pöörake toitu.

Grill + ventilaator



Grilliefekt on nõrgem kui täisgrilli kasutamisel

- Pange väiksed või keskmise suurusega portsjonid grillimiseks õige riuli asendiga grilli alla.
- Pärast poolt grillimisaega pöörake toitu.

Võimendus



See funktsioon ei sobi toidu küpsetamiseks, vaid seda kasutatakse ahju kiireks kuumutamiseks.

- Valige pärast selle funktsiooni valimist soovitud temperatuur. Temperatuuri märgutuli süttib ja ahi hakkab kuumenema.
- Tuli kustub, kui ahi on kuumaks läinud. Nüüd valige toidu küpsetamiseks soovitud funktsioon.

Küpsetusaegade tabel

i Tabelis esitatud ajad on mõeldud orientiiriks. Tegelik aeg võib varieeruda olenevalt toidu temperatuurist, paksusest, tüübist ja teie enda toiduvalmistuseelustest.

Küpsetamine ja röstimine

i 1. siiniks loetakse ahju **alumist** riulivahet.

Roog	Plaatide arv	Töörežiim	Siini asend	Temperatuur (°C)	Küpsetusaeg (ligikaudne, min)
**Koogid küpsetusplaadil	Üks plaat		3	175	30 ... 45
**Koogid vormis	Üks plaat		3	175	30 ... 50
**Koogid pabervormides	Üks plaat		3	160 ... 170	20 ... 30
**Biskviitkook	Üks plaat		3	180 ... 200	10 ... 20
**Küpsised	Üks plaat		3	160 ... 170	20 ... 30
**Taignatooted	Üks plaat		3	200	20 ... 30
**Muretaigen	Üks plaat		3	190	25 ... 35
**Juuretis	Üks plaat		3	190	20 ... 40
**Lasanje	Üks plaat		2	180	25 ... 45
**Pitsa	Üks plaat		2	200	15 ... 25
Biifsteek (suur tükk) / praad	Üks plaat		2	25 min 220, seejärel 180 ... 190	80 ... 100
Lambakints (pajaroog)	Üks plaat		2	25 min 220, seejärel 180 ... 190	60 ... 90
Kanapraad	Üks plaat		2	15 min 250/max, seejärel 190	55 ... 65
Kalkun (tükeldatud)	Üks plaat		2	25 min 250/max, seejärel 190	60 ... 100
Kala	Üks plaat		3	200	20 ... 30

(**)Eelkuumutamist nõudva küpsetamise korral ellkuumutage ahi küpsetamise alguses, kuni see jõuab määratud temperatuurini.

Nõuandeid kookide küpsetamiseks

- Kui kook on liiga kuiv, suurendage temperatuuri umbes 10 °C võrra ja lühendage küpsetusaega.
- Kui kook on liiga niiske, kasutage vähem vedelikku või vähendage temperatuuri 10 °C võrra.
- Kui kook on pealt liiga pruun, asetage see madalamale siinile, vähendage temperatuuri ja pikendage küpsetusaega.
- Kui kook on seest hästi läbi küpsenud, kuid pealt toores, kasutage vähem vedelikku, vähendage temperatuuri ja pikendage küpsetusaega.

Nõuandeid küpsetiste tegemiseks

- Kui küpsetis on liiga kuiv, suurendage temperatuuri umbes 10 °C võrra ja lühendage küpsetusaega. Niisutage taignakihte piimast, õlist, munast ja jogurtist tehtud kastmega.

- Kui küpsemine võtab liiga kaua aega, siis vaadake, et taigen ei ulatuks üle plaadi servade.
- Kui küpsetise pealispind pruunistub, aga alumine osa ei küpse, siis veenduge, et te pole küpsetise alaosas liiga palju kastet kasutanud. Püüdke jaotada kastet taignakihtide vahele ja peale võrdsetes kogustes, et need pruunistuks ühtlaselt.



Küpsetage vastavalt küpsetustabelis toodud režiimile ja temperatuurile. Kui alumine osa pole ikka piisavalt pruunistunud, asetage see järgmine kord madalamale siinile.

Nõuandeid köögiviljade küpsetamiseks

- Kui köögiviljade küpsetusnõus saab mahl otsa ja need hakkavad kuivama, siis tasub köögivilju küpsetada ahjuplaadi asemel kaanega pannil. Kaanega suletud nõus jääb toit mahlaseks.
- Kui köögiviljaroog jääb tooreks, keetke köögiviljad eelnevalt läbi või valmistage neid nagu purgitoitu ja asetage siis ahju.

Kuidas grilli kasutada



Sulgege grillimise ajaks ahjuuks.
Kuumad pinnad võivad tekitada põletusi!

Grilli sisselülitamine

1. Keerake funktsiooninupp soovitud grillitähisele.
 2. Seejärel valige soovitud grillimistemperatuur.
 3. Vajadusel eelkuumutage ahju umbes 5 minutit.
- » Süttib temperatuuri märgutuli.

Grillimine elektrigrilliga

Grilli väljalülitamine

1. Keerake funktsiooninupp väljalülitatud (ülemisse) asendisse.



Grillimiseks sobimatud toiduained võivad põhjustada tulekahju. Grillige ainult suurel kuumusel grillimiseks sobilikku toitu. Ärge paigutage grillitavat toitu liiga kaugemale ahju tahaossa. See on kõige kuumem piirkond ning rasvane toit võib süttida.

Küpsetamisaegade tabel grillimiseks

Toit	Kasutatavad lisatarvikud	Siini asend	Soovitatav temperatuur (°C)**	Grillimisaeg (ligikaudu)
Kala	Traatrest	4...5	250/max	20...25 min. #
Viilutatud kana	Traatrest	4...5	250/max	25...35 min.
Lambakarbonaad	Traatrest	4...5	250/max	20...25 min.
Röstbiif	Traatrest	4...5	250/max	25...30 min. #
Vasikakarbonaad	Traatrest	4...5	250/max	25...30 min. #
Röstleib *	Traatrest	4	250/max	1...3 min.

sõltuvalt paksusest

*Eelsoojendage 5 minutit

**Kui teie toote grillimistemperatuuri ei saa reguleerida, töötab grill soovitatud temperatuuril.

Selle küpsetustabeli toidud on valmistatud kontrollasutustel oleks tooteid lihtsam järgides standardit EN 60350-1, et riiklikel testida.

Toit	Kasutatavad lisatarvikud	Siini asend	Temperatuur (°C)	Küpsetusaeg (ligikaudne, min)
Röstleib	Traatrest	4	250/max	1...3 min
Lihapallid (loomaliha) - 12 tüki	Traatrest	4	250/max	25...35 min

Keerake toitu, kui möödunud on 2/3 kogu grillimisajast.

Kõiki grillitavaid toiduaineid on soovitatav 5 minutit eelkuumutada.

7 Hoidmine ja hooldus

Üldine teave

Toote kasutusiga pikeneb ja probleeme tekib harvem, kui toodet regulaarselt puhastada.



Enne hooldus- ja puhastustööde alustamist ühendage toode vooluvõrgust lahti. Elektrilöögi oht!



Enne toote puhastamist laske sellel maha jahtuda. Kuumad pinnad võivad tekitada põletusi!

- Puhastage toodet põhjalikult pärast iga kasutuskorda. Sel viisil on lihtsam eemaldada toiduvalmistusjääke, vältides nende kõrbemist seadme järgmisel kasutuskorral.
- Toote puhastamiseks pole vaja spetsiaalseid puhastusvahendeid. Kasutage toote puhastamiseks sooja vett koos vedela pesuvahendiga, pehmet lappi või käsna ning kuivatamiseks kuiva lappi.
- Liigne vedelik tuleb pärast puhastamist alati ära pühkida ja pritsmed kohe kuivatada.
- Ärge kasutage roostevabast terasest või inoxist pindade ja käepideme puhastamiseks puhastusvahendeid, mis sisaldavad hapet või kloriidi. Nende osade puhastamiseks kasutage pehmet lappi ja vedelat puhastusvahendit (mitteabrasiivset), tõmmates lapiga ainult ühes suunas.
- **(See funktsioon on valikuline. Teie tootel ei pruugi seda olla.)** Ärge kasutage klaaskatte puhastamiseks metallist kraabitsaid ega abrasiivseid puhastusvahendeid. Need võivad klaaspinda kahjustada.



Mõned puhastusained või -vahendid võivad pinda kahjustada.

Ärge kasutage tugevatoimelisi puhastusaineid, puhastuspulbrit või -pastat ega teravaid esemeid.

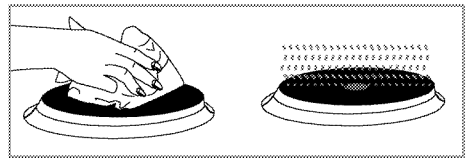


Ärge kasutage puhastamiseks aurupuhasteid, muidu võite saada elektrilöögi.

Pliidi puhastamine

Elektrikli ocaklar

1. Lülitage keeduplaadid välja ja oodake, kuni need maha jahtuvad.
2. Vajadusel puhastage keeduplaadid puhastusvahendiga (puhastus- ja hooldusvahendid on saadaval vastavates poodides).
3. Pärast puhastamist soojendage neid paar minutit, et pealispind kuivaks.
4. Keeduplaadi pealispinna kaitsmiseks kandke sellele aeg-ajalt õhuke kiht masinaõli.



Juhtpaneeli puhastamine

Puhastage juhtpaneeli ja nuppe niiske lapiga ning seejärel pühkige need kuivaks.



Ärge eemaldage juhtpaneeli puhastamiseks nuppe, kui teie tootel neid on.

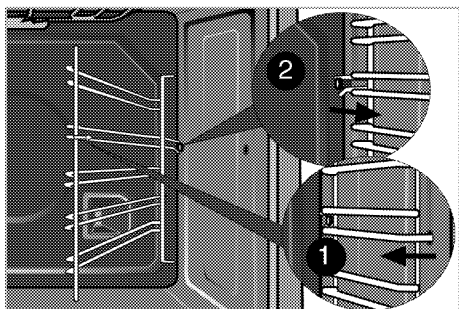
Muidu võite juhtpaneeli kahjustada!

Ahju puhastamine

Külgeina puhastamine (Varieerub olenevalt toote mudelist.)

(See funktsioon on valikuline. Teie tootel ei pruugi seda olla.)

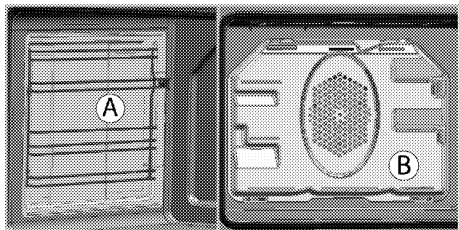
1. Eemaldage küljeraami eesmine osa, tõmmates seda külgeinast eemale.
2. Võtke küljeraam välja, tõmmates seda enda suunas.



Katalüütilised seinad

(See funktsioon on valikuline. Teie tootel ei pruugi seda olla.)

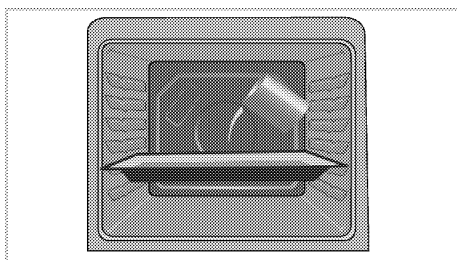
Teie toote küljeseinad (A) ja/või tagasein (B) võivad seestpoolt olla kaetud katalüütilise emailiga. Katalüütilised seinad on heledat matti värvi ja poorse pinnaga. Ahju katalüütilisi seinu ei tohiks puhastada. Tänu perforeeritud struktuurile imavad katalüütilised pinnad rasva ja kui pind on rasvaga täitunud, hakkab see läikima. Sellisel juhul on soovitatav osad välja vahetada.



Hõlbus auruga puhastamine

Muudab puhastamise hõlpsaks, kuna mustus (mis ei ole liiga kauaks puhastamata jäänud) pehmeneb ahju sisemuses tekkiva auru ja sisepindadele kondenseeruvate veepiiskade toimele.

1. Võtke ahjust välja kõik lisad.
2. Valage ahjuplaadile 300 ml vett ja asetage plaat ahju teisele restile.



3. Seadke ahju lihtne puhastamine auru režiim ja käivitada 100 ° C juures 25 minutit.
4. Avage uks ja pühkige ahju sisepindu niiske käsna või lapiga.
5. Kasutage tõrkasa mustuse eemaldamiseks sooja vett koos vedela pesuvahendiga, pehmet lappi või käsna ning kuivatamiseks kuiva lappi.

i Hõlpsa auruga puhastamise režiimi kasutamisel aurustub ahju sisemusse kogunenud jääkide/mustuse pehmendamiseks plaadile paigutatud vesi ning ahju sisemusse ja ahjuukse klaasi siseküljele moodustub kondensatsioon, seepärast võib ahjuukse avamisel vett tilkuda. Pühkige kondensatsioon ära kohe, kui avate ahjuukse.

Ahjuukse puhastamine

Kasutage ahjuukse puhastamiseks sooja vett koos vedela pesuvahendiga, pehmet lappi või käsna ning kuivatamiseks kuiva lappi.

Puhastage klaas äädikaga ja loputage seejärel veega, et eemaldada ahjuklaasil tekkida võivad lubjaplekid.

i Ärge kasutage ukse puhastamiseks karedaid abrasiivseid puhastusvahendeid või teravaid metallkraabitsaid. Need võivad pinda kriimustada ning klaasi lõhkuda.

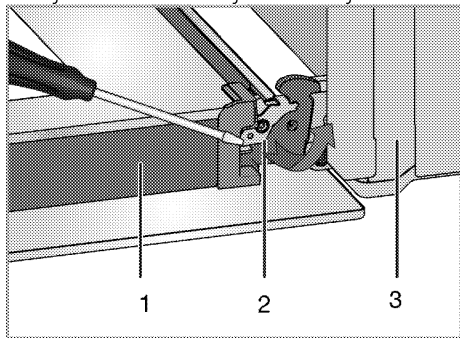
Ahjuukse puhastamine

i Ärge kasutage ahjuukse ja -klaasi puhastamiseks tugevaid abrasiivseid puhastusvahendeid, metallikaabitsaid, traatvilla ja pleegitusaineid.

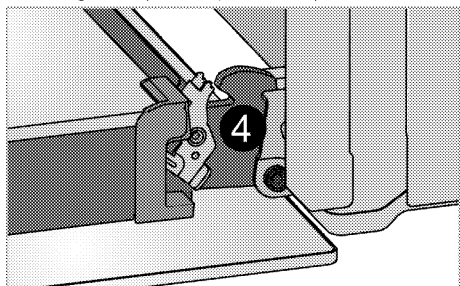
Puhastamiseks võite ahjuuksed ja -klaasid eemaldada. Ahjuukse ja -klaaside eemaldamist selgitatakse jaotistes "Ahjuukse eemaldamine" ja "Ahjuukse siseklaaside eemaldamine". Pärast ahjuukse siseklaaside eemaldamist puhastage need sooja vee ja pehme riide või käsna abil ning kuivatage need kuiva lapiga. Puhastage klaas äädikaga ja loputage seejärel veega, et eemaldada ahjuklaasil tekkida võivad lubjaplekid.

Ahjuukse eemaldamine

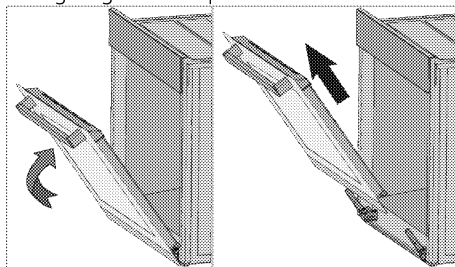
1. Avage eesuks (1).
2. Avage eesukse paremal ja vasakul küljel asuva hingede pesa (2) klambrid, vajutades neid alla joonisel kujutatud viisil.



- 1 Uks
- 2 Hinge lukk(suletud asend)
- 3 Ahi
- 4 Hinge lukk(avatud positsioon)



3. Liigutage eesust pooltes ulatuses.



4. Eemaldage eesuks seda ülespoole tõmmates ja paremast ning vasakust hingest vabastades.

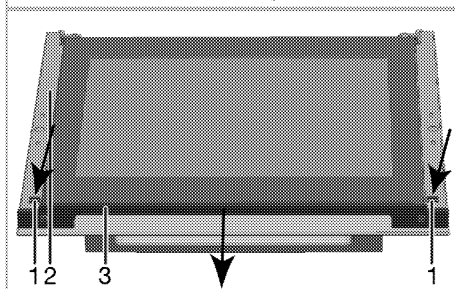
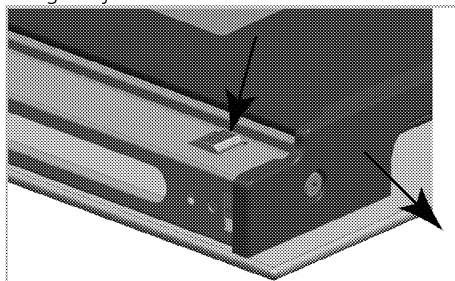
i Ukse tagasipanemisel tuleb eemaldamistoiminguid korrata vastupidises järjekorras. Ärge unustage ukse taaspaigaldamisel sulgeda hinge pesa juures olevaid klambreid.

Ukse siseklaasi eemaldamine

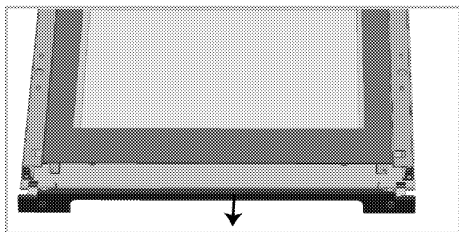
(See funktsioon on valikuline. Teie tootel ei pruugi seda olla.)

Ahjuukse sisemist klaaspaneeli saab puhastamiseks eemaldada.

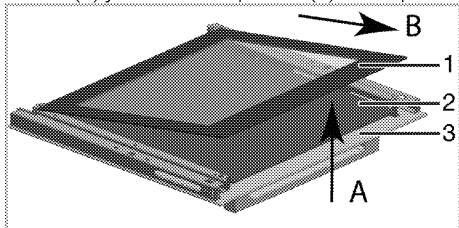
Avage ahjuuks.



- 1 Sakk
- 2 Raam
- 3 Profiil



Nagu on eespool toodud joonisel näidatud, vajutage eesukse ülemise osa külge kinnitatud profiili eemaldamiseks korraka sakke (1) ja tõmmake profiili (3) enda poole.

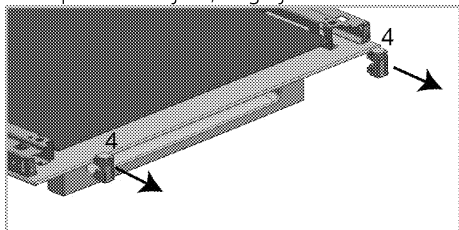


- 1 Kõige seespoolsem klaaspaneel
- 2 Sisemine klaaspaneel*
- 3 Välimine klaaspaneel

* (Teie tootel ei pruugi seda olla.)

Kergitage kõige seespoolsemat klaaspaneeli (1) veidi tähise **A** suunas ja tõmmake see tähise **B** suunas välja, nagu joonisel näidatud.

Kui teie toode on varustatud sisemise klaaspaneeliga, Tõmmake keskel asuvaid klaasihoidiku ühenduselemente nende vabastamiseks klaaspaneeli küljest, nagu joonisel näidatud.



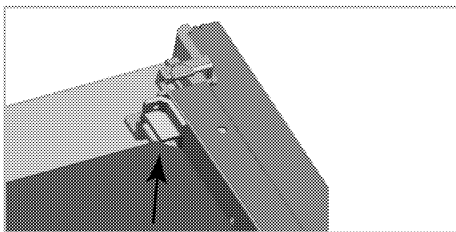
- 4 Klaasihoidiku ühenduselement*

* (Teie tootel ei pruugi seda olla.)

Eemaldage samamoodi ka teine sisemine klaaspaneel (2). Ükse kokkumonteerimisel tuleb esimese asjana paigaldada sisemine klaaspaneel (2).

Nagu joonisel näidatud, asetage klaaspaneel nii, et see siseneb plastpesa.

i Muidu ei ole klaaspaneel täielikult paigas ja võib kokku puutuda vibratsiooniga või puruneda.



Kõige seespoolsema klaaspaneeli (1) paigaldamisel jätke trükiga külg sisemise klaaspaneeli suunas.

Sisemise klaaspaneeli alumised nurgad peavad olema korralikult asetatud plastpesadesse.

i Muidu ei ole klaaspaneel täielikult paigas ja võib kokku puutuda vibratsiooniga või puruneda.

Pange klaasihoidiku ühendused kindlasti nende pesadesse.

Lõpuks vajutage profiili sakke, et need oleksid jälle pesades.

Ahjuvalgusti pirni vahetamine

! Et vältida elektrilöögi ohtu, vaadake enne ahju lambi vahetamist, et toode oleks vooluvõrgust lahti ühendatud ning maha jahtunud. Kuumad pinnad võivad tekitada põletusi!

i Selles ahjus kasutatakse hõõglampi võimsusega alla 40 W, kõrgusega alla 60 mm, läbimõõduga alla 30 mm või halogeenlampi pistikupesaga G9, võimsusega alla 60 W. Lambid sobivad kasutamiseks temperatuuril üle 300 ° C. Ahjulampe saab hankida volitatud hooldusagentidelt või litsentsiga tehnikutelt. See toode sisaldab G energiaklassi lampi.

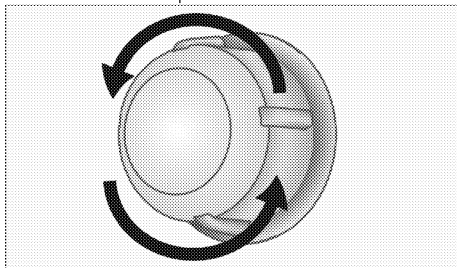
i Valgusti asukoht ei pruugi olla sama mis joonisel.

i Sellel seadmel kasutatud lamp pole sobiv koduse majapidamise valgustamiseks. Selle lambi eesmärk on aidata kasutajal toiduaineid paremini näha.

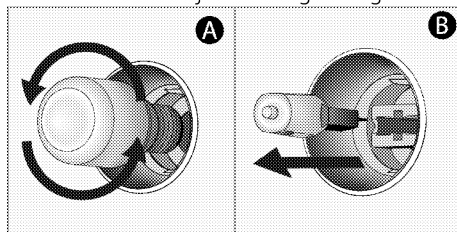
i Sellel seadmel kasutatud lambid peavad vastu pidama ekstreemsetele tingimustele, nt üle 50 °C temperatuurile.

Kui ahjul on ümar valgusti:

1. Lahutage toode vooluvõrgust.
2. Keerake vastupäeva lahti klaaskate.



3. Kui teie ahjutuli on alloleval joonisel kujutatud (A) tüüpi, eemaldage see joonisel näidatud viisil keerates ja asendage uuega. Kui teie ahjutuli on (B) tüüpi, eemaldage see joonisel näidatud viisil tõmmates ja asendage uuega.



4. Paigaldage klaaskate tagasi.

8 Probleemide lahendamine

Kasutamise ajal tuleb ahjust auru.

- Auru tekkimine töötamisel on tavaline. >>> *Tegemist ei ole rikkega.*

Toote kuumenemisel ja jahtumisel on kuulda metallet heli.

- Metallosade kuumenemisel võivad need paisuda ning tekitada hääli. >>> *Tegemist ei ole rikkega.*

Toode ei tööta.

- Võrgukaitse on rakendunud või läbi põlenud. >>> *Kontrollige elektrilibi korke. Vajadusel vahetage või lähtestage need.*
- Toode ei ole ühendatud (maandatud) pistikupessa. >>> *Kontrollige pistiku ühendust.*

Ahju tuli ei tööta.

- Ahju pirn on vigane. >>> *Vahetage pirn välja.*
- Voolukatkestus. >>> *Kontrollige, kas vool on olemas. Kontrollige elektrilibi kaitsmeid. Vajadusel vahetage või lähtestage kaitsmed.*

Ahi ei lähe soojaks.

- Ei pruugi olla seatud konkreetse küpsetusfunktsiooni ja/või temperatuuri jaoks. >>> *Määrake konkreetne küpsetusfunktsioon ja/või temperatuur.*
- Voolukatkestus. >>> *Kontrollige, kas vool on olemas. Kontrollige elektrilibi kaitsmeid. Vajadusel vahetage või lähtestage kaitsmed.*



Kui teil ei õnnestu probleemi käesolevas lõigus antud juhiste kohaselt lahendada, konsulteerige volitatud teenindusega või edasimüüjaga, kellelt te toote ostsite. Ärge kunagi üritage rikkis toodet ise parandada.