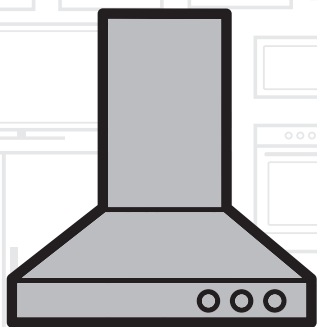


# Hood

## User Manual



HCA92844BH	HCA62741B
HCA92844WH	HCA62741BH
HCA62844BH	HCA62741W
HCA62844WH	HCA62844GH
HCA92741B	HCA62844ZH
HCA92741W	HCA92741BH

EN	DE	BG	CZ	NL	ET
FR	HR	IT	LT	PL	PT
RU	SK	LV			

01M-8847933200-3018-04

**beko**

## Please read this manual first!

Dear Customers!

Thank you for preferring a Beko product. We hope that you get the best results from your product which has been manufactured with high quality and state-of-the-art technology. Therefore, please read this entire user manual and all other accompanying documents carefully before using the product and keep it as a reference for future use. If you handover the product to someone else, give the user manual as well. Follow all warnings and information in the user manual.

Remember that this user manual is also applicable for several other models. Differences between the models are explicitly described in the manual.

### Meanings of the Symbols

Following symbols are used in the various section of this manual:



Important information and useful hints about usage.



**WARNING:** Warnings for dangerous situations concerning the safety of life and property.



Warning for electric shock.



Warning for hot surfaces.



This product has been manufactured in environmental friendly modern plants without giving any harm to the nature.

## CONTENTS

<b>ENGLISH</b>	<b>5-17</b>
<b>DEUTSCH</b>	<b>18-34</b>
<b>БЪЛГАРСКИ</b>	<b>35-51</b>
<b>ČESKY</b>	<b>52-66</b>
<b>NEDERLANDS</b>	<b>67-83</b>
<b>ESTONIAN</b>	<b>84-98</b>
<b>FRANÇAIS</b>	<b>99-115</b>
<b>HRVATSKI</b>	<b>116-130</b>
<b>ITALIANO</b>	<b>131-146</b>
<b>LIETUVIU</b>	<b>147-162</b>
<b>POLSKI</b>	<b>163-178</b>
<b>PORTUGUÊS</b>	<b>179-195</b>
<b>РУССКИЙ</b>	<b>196-213</b>
<b>SLOVAKIA</b>	<b>214-228</b>
<b>LATVIJAS</b>	<b>229-245</b>

01M-8847943200-3018-04  
01M-8847953200-3018-04  
01M-8847963200-3018-04  
01M-8847973200-3018-04  
01M-8847983200-3018-04  
01M-8847993200-3018-04  
01M-8850553200-3018-04  
01M-8848003200-3018-04  
01M-8851133200-3018-04  
01M-8851143200-3018-04

# 1 Important safety and environmental instructions

This section contains safety instructions that will help protect from risk of personal injury or property damage. Failure to follow these instructions invalidates the granted warranty.

## 1.1 General safety

- Always have the installation and repairing procedures carried out by the Authorized Service Agent. Manufacturing firm shall not be held responsible for damages that may be caused by unauthorized persons.
- This appliance is not intended for use by persons (including children) with reduced physical, sensory or mental capabilities, or lack of experience and knowledge. Children should be supervised to ensure that they do not play with the appliance.

### 1.1.1 Electrical safety

- Always unplug the appliance from the mains supply during installation, maintenance, cleaning and repair operations.
- If the power cable is faulty, it should be replaced by a qualified person certified by the manufacturer, after-sales service or similar (preferably an electrician) or a person described by the importer.
- Operating voltage is 220 to 240 volts.
- If the appliance has a failure, it should not be operated unless it is repaired by the Authorized Service Agent. There is the risk of electric shock!
- Do not route power cable close to hobs. Otherwise power cable may cause fire since it melts down easily.
- Never plug the hood before installation is completed.
- In order to obtain the best performance, external conductor must not be longer than 4 m. It must not contain more than 2 perpendicular (90°) angles and its diameter must be min.  $\varnothing 120$  mm.
- Disconnect the appliance from mains before any intervention to the internal parts of the appliance.
- Use the appliance with a grounded outlet only.



# 1 Important safety and environmental instructions

## 1.1.2 Product safety

- You can use a pipe with a diameter of 120 mm or 150 mm on the flue connection of the hood.
- Do not make connections to the flues connected with stoves, exhaust shafts or flues with rising flames. Observe the rules set by authorities on the discharge of exhaust air.
- The height between the lower surface of the hood and upper surface of the stove/oven should not be less than 50 cm for gas hobs and 45 cm for electric hobs.
- Do not operate the hood without aluminum filters and do not remove the filters while it is operated.
- Never touch the hood's lamps after they are operated for a long time. Hot lamps may burn your hand.
- Avoid large flames beneath the product. Otherwise, particles on oil filter may ignite and lead to a fire.
- Turn on the hobs after placing pans or pots on it. Otherwise, rising heat may deform certain parts of your product.
- Turn off the hobs before taking away pans or pots.
- Avoid inflammable materials under the hood.
- Oil may ignite while frying foods. Therefore, be careful about cloths and curtains.
- Never leave the cooker unattended when frying foods; otherwise hot oil may cause fire.
- There is the risk of fire if your hood is not cleaned in the specified periods.
- Be extremely careful and wear gloves when cleaning the hood.
- We advise you to operate the appliance a few minutes before starting to cook in order to increase the suction power. Thus, you shall have a continuous and stable suction power when the vapors arise.
- Operate your hood for 15 minutes more after the end of cooking or frying in order to remove the smell and cooking vapor in the kitchen.
- When the hood is in use, especially together with gas cookers, make sure that environment is ventilated with clean air.

# 1 Important safety and environmental instructions

- Pay attention not to connect the appliance to the flues used by non-electrical devices. (E.g.: Heater flue).
- Simultaneous and smooth operation of the hood and another device that require air is only possible when a low pressure of 4 Pa (0.04 mbar) is reached, and thus the reabsorption of the gas is avoided. This can only be achieved by means of air coming from uncovered openings (door, window, ventilation openings or other technical measures). Pay utmost attention to provide sufficient air flow. A flue that provides air ingress/egress is not enough for this purpose.
- This appliance can be used by the children who are at the age of 8 or over and by the people who have limited physical, sensory or mental capacity or who do not have knowledge and experience, as long as they are supervised with regard to safe use of the product or they are instructed accordingly and understand the risks of using the product. Children should not play with the appliance.
- **CAUTION:** Accessible parts may heat up when used with a cooking device.

## 1.1.3 Children's safety

- Packaging materials are dangerous to children. Keep packaging materials in a safe place out of reach of children.
- Electrical appliances are dangerous to children. Keep children away from the product. Do not allow children play with the appliance.
- This appliance is intended for domestic use. It is not suitable for commercial use and it must not be used out of its intended use.
- The manufacturer shall not be liable for any damage caused by improper use or handling.
- Service life of your appliance is 10 years. This is the period required for availability of spare parts for proper functioning of the product.
- **WARNING:** Failure to fix the screws in concordance with the instructions provided in the manual may lead to electrical hazards.

# 1

## Important safety and environmental instructions

### 1.3 Compliance with WEEE Directive and disposing of the waste product



This product complies with EU WEEE Directive (2012/19/EU). This product bears a classification symbol for waste electrical and electronic equipment (WEEE).

This product has been manufactured with high quality parts and materials which can be reused and are suitable for recycling. Do not dispose of the waste product with normal domestic and other wastes at the end of its service life. Take it to the collection center for the recycling of electrical and electronic equipment. Please consult your local authorities to learn about these collection centers.

### Compliance with RoHS Directive:

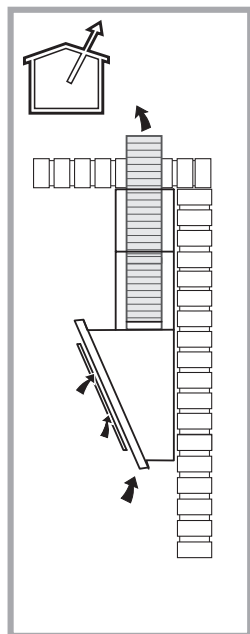
The product you have purchased complies with EU RoHS Directive (2011/65/EU). It does not contain harmful and prohibited materials specified in the Directive.

### 1.4 Package information

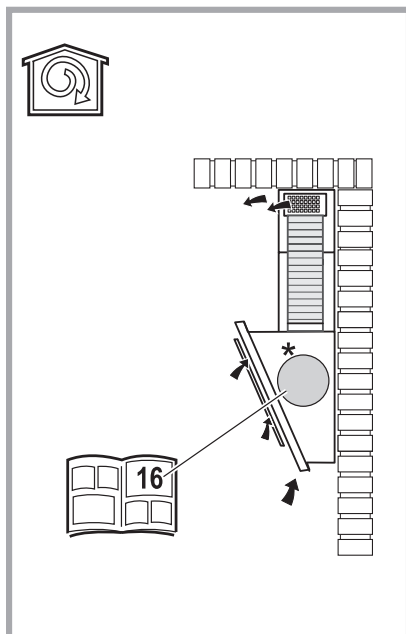


Package of the product is made of recyclable materials in accordance with our National Legislation. Do not dispose of the packaging materials together with the domestic or other wastes. Take them to the packaging material collection points designated by the local authorities.

## 2 Technical specifications of your appliance



 Usage with flue



 Usage with charcoal filter

Markings on the product or the values stated in other documents supplied with the product are values obtained under laboratory conditions as per relevant standards. These values may vary depending on operational and environmental conditions of the product.

## 3 Installing your appliance

Please consult the nearest Authorized Service Agent for the installation of the hood.

\*Preparation of location and electrical installation for the product is under customer's responsibility.



**WARNING:** Remove the protective film (if any) on the hood and flue surface after the installation.

The height between the lower surface of the hood and upper surface of a hob should not be less than 50 cm for gas hobs and 45 cm for electric hobs.

Have a qualified electrician make the electrical connection.

Install your product so that you can reach the power connection (plug, outlet) easily after installation.

Dimensions are given in mm.

### 3.1. Power connection

- Main power supply should comply with the values indicated on the plate inside the hood. Connect the hood to an outlet in compliance with current regulations by means of a plug and place it within an accessible area. After installation; if device doesn't have a plug (direct mains supply connection) or plug is out of reach, use a double-pole switch in line with standards, that enables disconnection of main plug under circumstances related to overcurrent category III.



**WARNING:** Before reconnecting the hood to main power source and checking if it functions correctly, ensure that main power cable is connected properly.

- The hood is equipped with a special power cable. Contact Authorised Service Agent if the power cable is damaged.

## 3.2. Installation

### 3.2.1 Before you start installation:

- Check that the product purchased has appropriate sizes for installation location.
- Remove the active charcoal (\*) filter if supplied (see also relative paragraph). That/those will only be installed if you want to use the hood as a filtered model.
- Check if any other material (such as screw package (\*), warranty card (\*) etc.) is delivered in the hood and if available, remove them and keep elsewhere.
- If possible, remove freestanding or sliding hob and pull it aside in order to reach rear wall / ceiling easily. If not possible, cover the bench, hob or oven with a thick protective cloth in order to secure them against damage and dirt. Select a flat surface to install the appliance. Cover the surface with a protective cloth and place all awning hood parts and hardware in it.
- Besides; check if a plug is available on assembly area of hood (besides, on the accessible area after assembling the hood) and check if connecting the hood to outside (only for the model with aspiration) is possible.
- Finish all required operations related to wall (e.g. plugging power plug and/or opening a hole for discharge hose).

Wide dowels are available to allow for fixing the hood on a variety of wall/ceiling types. Additionally, conformity of material to wall/ceiling type should be confirmed by a qualified technician. Wall/ceiling should be able to sustain the hood. Do not assemble the appliance on tile, plaster or silicon surfaces. Assemble it only on to a wall.

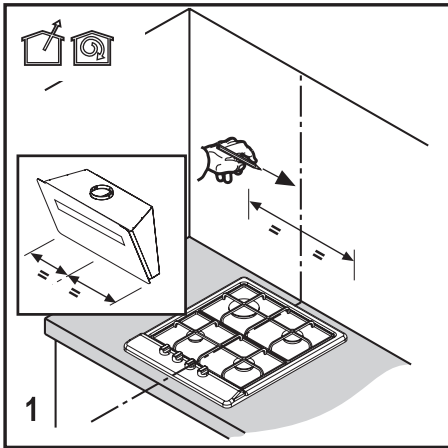
If a panel and/or side wall and/or furniture exist, check that there is sufficient place for assembly of hood and that control panel is easily accessible.

## 3 Installing your appliance

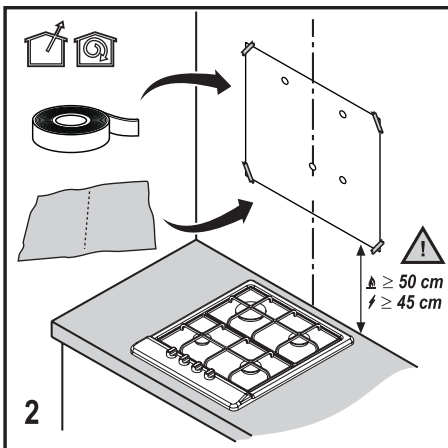
### 3.2.2 Preparation for the Assembly of the Hood onto the Wall

Information required for the preparation of the installation place for your hood is given below.

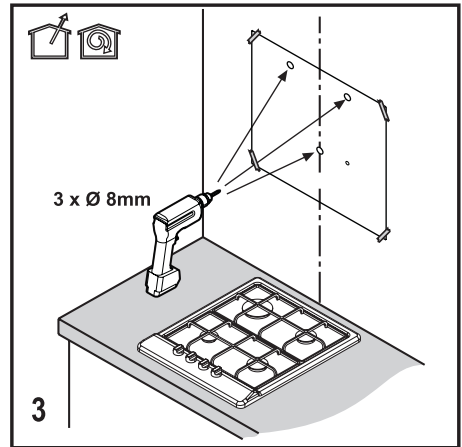
1. Mark the surface where assembly template is going to be hung. **(Figure 1)**



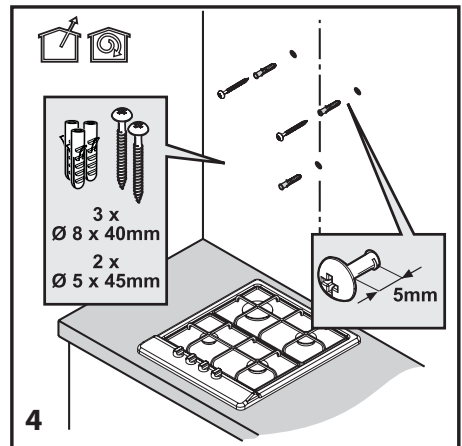
2. Affix the assembly template onto the installation place of the hood. **(Figure 2)**



3. Drill a hole with  $\varnothing 8$  mm bit on marked points. **(Figure 3)**



4. Hammer 3 pieces of  $\varnothing 8 \times 40$  mm dowels in drilled holes. Screw 2 pieces of  $\varnothing 5 \times 45$  mm hanging screws to dowels hammered above. There must be a gap of 5 mm between the screw head and the wall. **(Figure 4)**

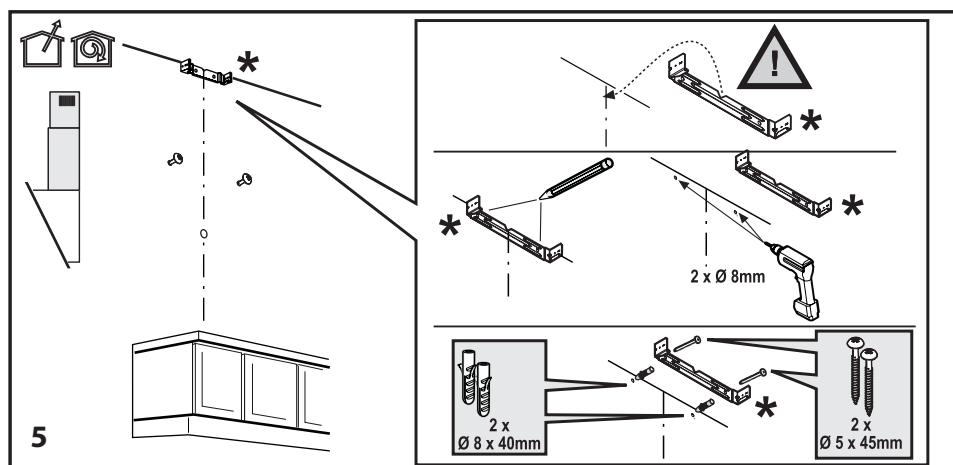


## 3 Installing your appliance

### 3.2.3 Assembling the hood flue

Drill holes on marked points with  $\varnothing 8$  mm bit in order to attach flue plate. Hammer 2 pieces of  $\varnothing 8 \times 40$  mm dowels in drilled holes. Screw 2 pieces of  $\varnothing 5 \times 45$  mm hanging screws to dowels hammered.

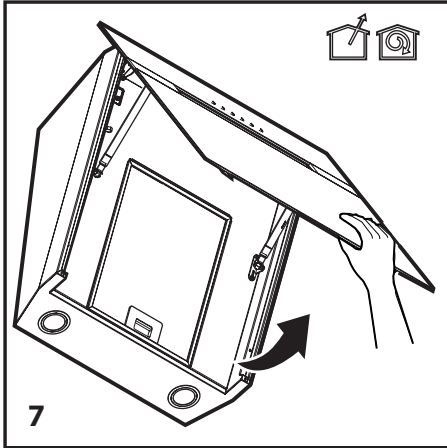
(Figure 5)



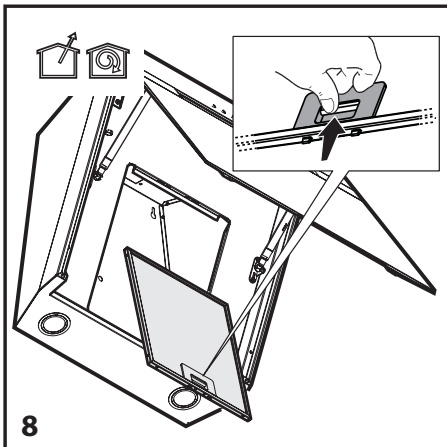
## 3 Installing your appliance

### 3.2.4 Assembly of the Hood onto the Wall

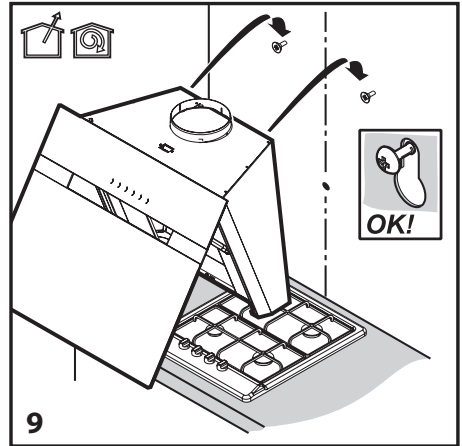
1. Remove front panel to attach the hood onto the wall. **(Figure 7)**



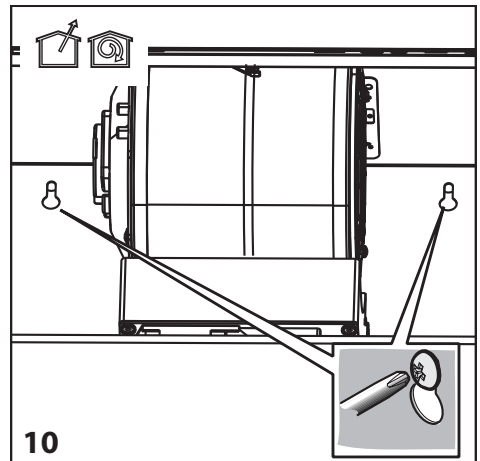
2. Remove the filters. **(Figure 8)**



3. Place the hood in a way that screws match with screw heads. **(Figure 9)**



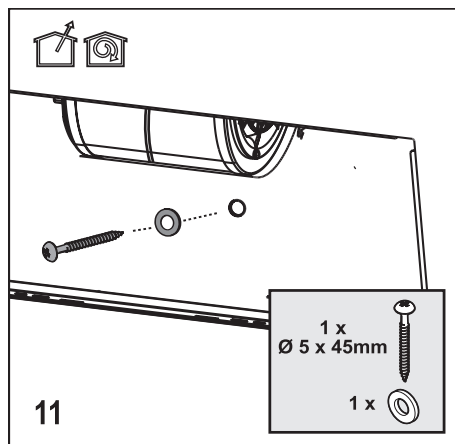
4. Tighten the screws to fasten the hood. **(Figure 10)**



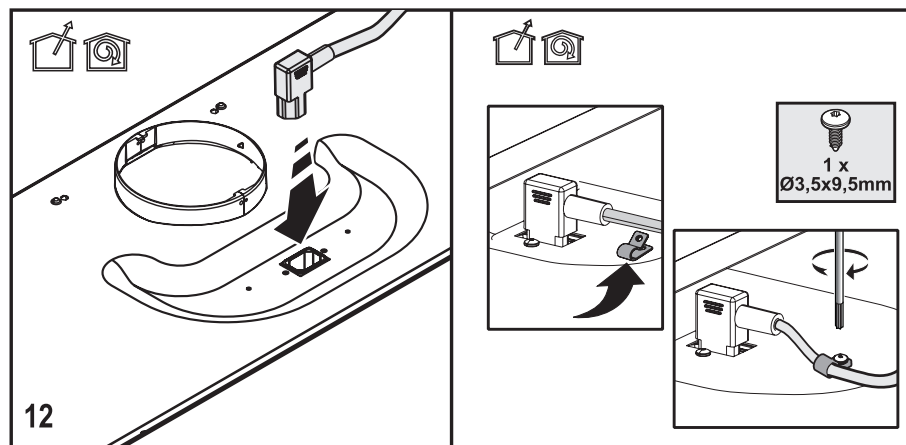


### 3 Installing your appliance

5. In order to fasten the hood, use washers and tighten with  $\text{\O}5 \times 45$  screws. **(Figure 11)**

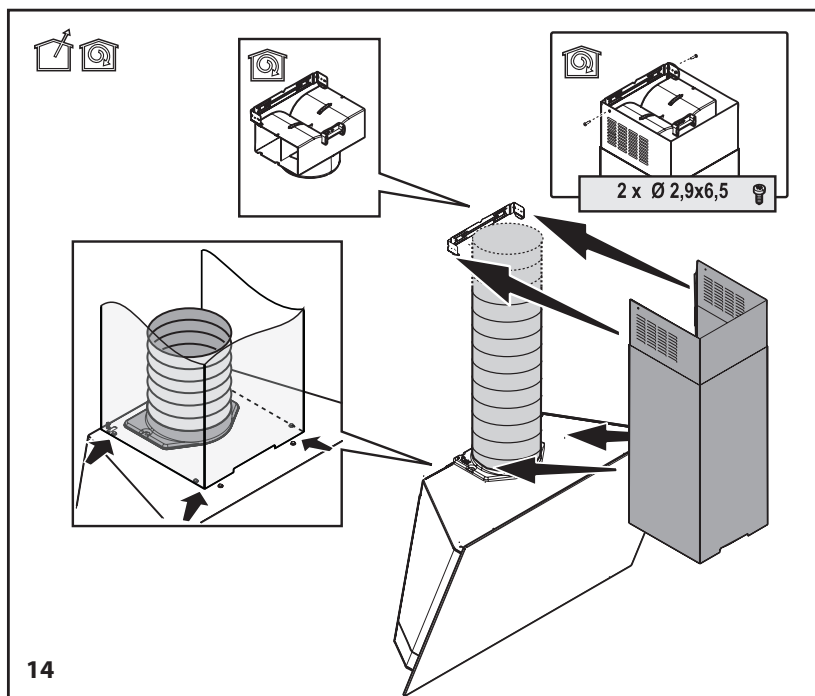
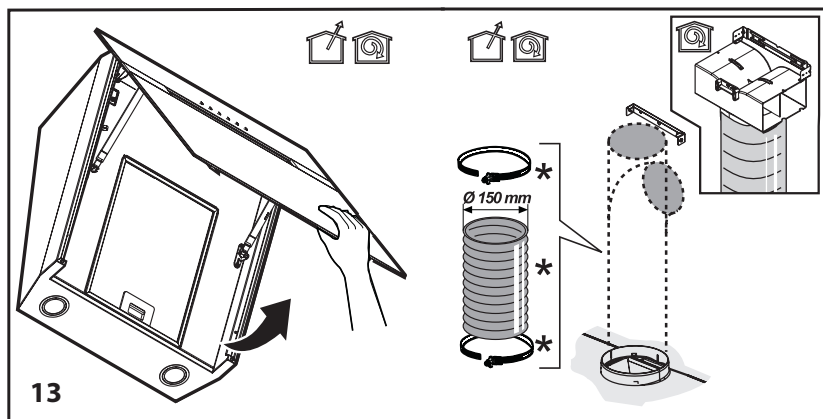


6. Plug in the power cable. Use  $\text{\O} 3.5 \times 9.5$  screw to fasten the cable. **(Figure 12)**



### 3 Installing your appliance

7. Place flue connection according to figures.  
(Figure 13, 14)

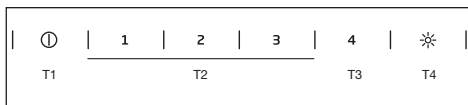


## 4 Operating your appliance

### 4.1 Operation

- Use high suction power if excessive vapor is formed in kitchen. It is recommended that hood suction unit is turned on 5 minutes before beginning cooking and is left in operation during and for 15 minutes after cooking.

### 4.2 Control with levels



- T1.** On/Off key. If the appliance is OFF, turns on the appliance. If the appliance is at any speed level, turns it OFF .
- T2.** Operates the appliance in speed levels 1, 2 and 3.
- Operates the appliance in speed level 1. LED 1 lights.
- Operates the appliance in speed level 2. LED 2 lights.
- Operates the appliance in speed level 3. LED 3 lights.
- T3.** Operates the appliance at speed level 4 for 5 minutes. While the appliance is in operation in any level (1, 2, 3) if this key is pressed then the current speed LED will become steady and speed level 4 LED will flash. At the end of 5 minutes, speed level 4 LED will switch OFF and the product will exit max. speed mode. If speed level 4 key is pressed before 5 minutes is over, the product exits max. speed mode.
- T4.** Lamp On/Off key. Briefly press this key to turn ON/OFF the lamp. Press and hold for more than 1 second to select one of the 5 brightness levels.

### 4.3 Grease filter alarm

Flashing of LED 1 warns the user for cleaning the metal filter. When this alarm is given, it is time to clean the grease filter. Press and hold the ON/OFF key for 3 seconds to reset the warning while the product is in operation. LED 1 will stop flashing.

### 4.4 Charcoal filter alarm

The product is delivered with the charcoal filter alarm deactivated. Press and hold keys 1 and 2 for 3 seconds to activate the charcoal filter cleaning warning while the product is OFF. First LED 1 and then LED 1 and 2 light up and indicate that the warning is activated. Press and hold keys 1 and 2 for 3 seconds to deactivate the warning while the product is OFF. First LED 1 and 2 then LED 1 light up and indicate that the warning is deactivated.

Flashing of LED 2 warns the user for cleaning the charcoal filter. Press and hold the ON/OFF key for 3 seconds to reset the the warning while the product is in operation.



If both metal and charcoal filter warnings are activated simultaneously, resetting should be performed separately for each warning.

### 4.5 Energy efficient usage:

- When operating the hood, adjust the speed level according to the odour and vapour intensity in order to prevent unnecessary power consumption.
- Use low speeds in normal conditions (1-2), and high speeds (3-4) when smell and vapors are intensified.
- Lamps on the hood are intended for illuminating the cooking zone. Using them to illuminate the ambient/kitchen will result with unnecessary power consumption and inadequate illumination.

## 5 Cleaning and maintenance

### 5.1 Cleaning

- Prior to cleaning and maintenance, unplug the appliance or turn the main switch off or loosen/switch off the fuse that supplies the hood.
- Hood should be cleaned regularly (at least with the same frequency with which you carry out maintenance of the grease filters) internally and externally.
- Clean the hood using a clean cloth dampened with a mixture of warm water and neutral liquid detergent.
- Do not use abrasive products. **DO NOT USE ALCOHOL!**



**WARNING:** Failure to carry out the basic cleaning instructions of the hood and to replace the filters may cause fire.

- For this reason, we recommend you to follow mentioned instructions.
- Manufacturer cannot be held responsible for motor and fire damage caused by inappropriate maintenance or not following the above mentioned safety recommendations.

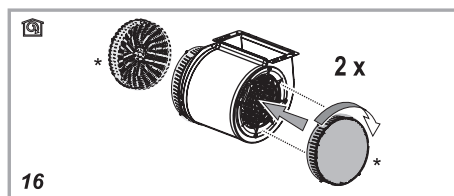
### 5.2 Cleaning the glass panel

- Glass panel and suction surfaces should be cleaned with the same interval valid for grease filters.
- Clean with a damp cloth and a neutral liquid detergent.
- Avoid using abrasive products. **DO NOT CLEAN WITH ALCOHOL!**

### 5.3 Charcoal filter (filtered models only)

- After a long usage period, charcoal filter may become full depending on cooking type and whether the oil filter is cleaned regularly.

- In any case, cartridge should be replaced at least every four months (or when filter fullness indicator system indicates that filter should be replaced if available in the model). **(Figure 16)**
- Charcoal filter cannot be washed and reused.



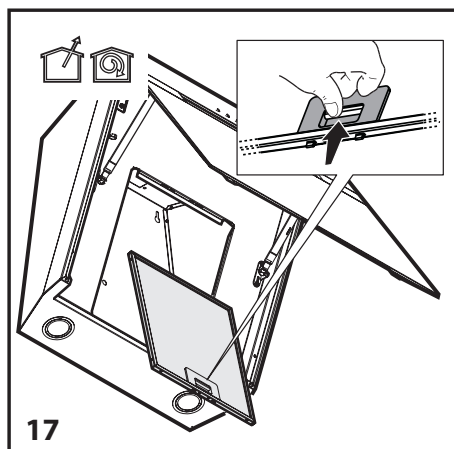
### Circular charcoal filter

- Place one filter next to the protection cages of motor propeller, then turn the part clockwise.
- For disassembly, turn the part counterclockwise.

### 5.4 Grease filter

- Retains grease particles caused by cooking procedure.
- Grease filter should be cleaned monthly (or filter fullness indicator system - if available in purchased model - indicates when it is time) using acid-free detergent by hand or in a dishwasher with low temperature and short program.
- When washed in a dishwasher, color of grease filter may fade slightly, but this does not affect its filtering capacity.
- Pull spring release lever in order to remove grease filter. **(Figure 17)**

## 5 Cleaning and maintenance



### If you need to transport the appliance:



Keep the original packaging of the appliance. Transport the appliance with its original package, and follow the transport markings on the original package.

### If you do not have the original package:

- Do not put heavy objects on the hood.
- Protect the outer surface from impacts.
- Pack the product so that it would not be damaged during transport.

### 5.5 Cleaning

- Particularly do not neglect to clean your hood immediately after you have made frying.
- Use a soft cloth soaked with liquid detergent to clean the outer surface of your hood.
- Never use abrasive or scratching materials for cleaning.
- You may use the cleaning agents commercially available for persistent grease etc. by following the warnings on the product. In order not to scratch the brushed steel body, wipe in the same direction with the brush trace.
- Do not use cleaning agents containing hydrochloric acid, bleach or abrasive powders in order to maintain the surface quality of your product. Use a cloth dampened in soapy water or special stainless steel cleaning spray for stainless steel surfaces. Remove the protective foil on the appliance.



**Caution:** You may cause a fire if you do not follow the instructions on the cleaning and replacement of the filters of your hood.



**WARNING:** Prior to touching the light bulbs, ensure that they are cooled down.



Contact Authorized Service Agent for lamp replacement.

### 5.6 Replacing the lamps

## Bitte zunächst diese Anleitung lesen!

Sehr geehrte Kundin, sehr geehrter Kunde,

Danke, dass Sie sich für ein Produkt der Marke Beko entschieden haben. Wir hoffen, dass Sie mit diesem Produkt, das mit den höchsten Qualitätsanforderungen und der modernsten Technologie hergestellt wurde, beste Ergebnisse erzielen. Bitte lesen Sie diese gesamte Bedienungsanleitung und alle anderen Begleitdokumente aufmerksam, bevor Sie das Produkt verwenden; bewahren Sie sie zum künftigen Nachschlagen sicher auf. Wenn Sie das Produkt an einen Dritten weitergeben, händigen Sie bitte auch diese Anleitung aus. Befolgen Sie alle Warnhinweise und Informationen in dieser Anleitung.

Bitte denken Sie daran, dass diese Anleitung auch für einige andere Modelle erstellt wurde. Unterschiede zwischen den Modellen werden in der Anleitung klar und deutlich beschrieben.

## Bedeutung der Symbole

Folgende Symbole werden in den verschiedenen Abschnitten dieser Anleitung verwendet:



Wichtige Informationen und nützliche Tipps in Bezug auf die Verwendung.



**WARNUNG:** Warnhinweise zu gefährlichen Situationen im Hinblick auf die Sicherheit von Leib, Leben und Eigentum.



Warnung vor Stromschlägen.



Warnung vor heißen Flächen.



Dieses Produkt wurde in umweltfreundlichen, modernen Einrichtungen ohne schädliche Auswirkungen auf die Natur hergestellt.

Dieser Abschnitt enthält Sicherheitsanweisungen, die beim Schutz vor Personen- und Sachschäden helfen. Bei Nichtbeachtung dieser Anweisungen erlischt die gewährte Garantie.

## 1.1 Allgemeine Sicherheit

- Lassen Sie Installations- und Reparaturarbeiten immer von einem autorisierten Servicedienst durchführen. Der Hersteller übernimmt keine Haftung für Schäden, die von unautorisierten Personen verursacht wurden.
- Dieses Gerät darf nicht von Personen (einschließlich Kindern) benutzt werden, die unter körperlichen oder geistigen Einschränkungen leiden oder denen es an der nötigen Erfahrung im Umgang mit solchen Geräten mangelt. Kinder sollten soweit beaufsichtigt werden, dass sie nicht mit dem Gerät spielen.

### 1.1.1 Elektrische Sicherheit

- Trennen Sie das Gerät bei Installations-, Wartungs-, Reinigungs- und Reparaturarbeiten immer von der Stromversorgung.

- Falls das Netzkabel defekt ist, sollte es vom Hersteller, Kundendienst oder einer ähnlich qualifizierten Person (idealerweise einem Elektriker) bzw. einer vom Importeur genannten Person ersetzt werden.
- Die Betriebsspannung beträgt 220 bis 240 Volt.
- Falls das Gerät einen Fehler aufweist, darf es erst nach Reparatur durch den autorisierten Servicedienst wieder in Betrieb genommen werden. Es besteht Stromschlaggefahr!
- Netzkabel nicht in der Nähe von Kochfeldern verlegen. Andernfalls kann das Netzkabel einen Brand verursachen, da es leicht schmilzt.
- Die Dunstabzugshaube niemals vor Abschluss der Installation an die Stromversorgung anschließen.
- Zur Erzielung optimaler Leistung darf der Abzug nicht länger als 4 m sein. Er darf nicht mehr als 2 rechte Winkel (90 °) zählen und sein Durchmesser muss mind.  $\varnothing$  120 mm betragen.
- Trennen Sie das Gerät vor jeglicher Handhabung der internen Teile des Gerätes von der Stromversorgung.

- Verwenden Sie das Gerät nur mit einer geerdeten Steckdose.

## 1.1.2 Produktsicherheit

- Sie können ein Rohr mit einem Durchmesser von 120 oder 150 mm am Abluftanschluss der Dunstabzugshaube verwenden.
- Keine Verbindungen zu Schächten herstellen, die mit Öfen, Abluftschächten oder Kaminen mit aufsteigenden Flammen verbunden sind. Beachten Sie behördliche Richtlinien zur Ableitung von Abluft.
- Der Abstand zwischen der Unterkante der Dunstabzugshaube und der Oberkante des Herdes/Ofens sollte nicht weniger als 50 cm bei Gasherden und 45 cm bei Elektroherden betragen.
- Dunstabzugshaube nicht ohne Aluminiumfilter betreiben; Filter nicht entfernen, während die Dunstabzugshaube in Betrieb ist.
- Lampen der Dunstabzugshaube niemals berühren, wenn sich das Gerät bereits längere Zeit in Betrieb befindet. Die Lampen können heiß sein und Verbrennungen verursachen.
- Vermeiden Sie hohe Flammen unter dem Gerät. Andernfalls können sich im Aluminiumfilter gesammelte Partikel entzünden und einen Brand verursachen.
- Schalten Sie Kochfelder erst ein, nachdem Sie Kochgeschirr darauf gestellt haben. Andernfalls kann die steigende Temperatur bestimmte Teile Ihres Produktes verformen.
- Schalten Sie die Kochfelder ab, bevor Sie das Kochgeschirr herunternehmen.
- Vermeiden Sie entflammbare Materialien unter der Dunstabzugshaube.
- Öl kann sich beim Braten entzünden. Achten Sie daher besonders auf Kleidung und Vorhänge.
- Lassen Sie das Kochgerät niemals unbeaufsichtigt, während Sie braten; heißes Öl kann Feuer fangen.
- Falls die Dunstabzugshaube nicht in den angegebenen Intervallen gereinigt wird, besteht Brandgefahr.
- Seien Sie bei der Reinigung der Dunstabzugshaube extrem vorsichtig, tragen Sie Handschuhe.
- Zur Steigerung der Saugleistung empfehlen wir Ihnen, das Gerät einige Minuten vor Beginn des Kochens oder Bratens in Betrieb zu nehmen.



Dadurch erhalten Sie eine kontinuierliche und stabile Saugleistung, sobald Küchendünste entstehen.

- Dunstabzugshaube nach Abschluss des Kochens oder Bratens 15 Minuten weiterlaufen lassen, damit Gerüche und Küchendünste entfernt werden.
- Achten Sie bei der Benutzung der Dunstabzugshaube – insbesondere in Verbindung mit Gasherden – auf eine ausreichende Frischluftzufuhr.
- Achten Sie darauf, das Gerät nicht an Abzugsschächte anzuschließen, die von nicht elektrischen Geräten verwendet werden. (Bsp.: Heizungschacht)
- Die gleichzeitige Verwendung der Dunstabzugshaube und eines weiteren, Luft ansaugenden Geräts ist nur möglich, wenn ein geringerer Druck von 4 Pa (0,04 mbar) erreicht und dadurch die Resorption des Gases vermieden wird. Dies kann nur dadurch erreicht werden, dass Luft durch nicht abgedeckte Öffnungen (Tür, Fenster, Lüftungsöffnungen oder andere technische Messungen) einströmt. Achten Sie darauf, dass ausreichend Luft zugeführt wird. Ein Schacht, der den Luftein- und -austritt ermöglicht, ist für diesen Zweck nicht ausreichend.

## 1.1.3 Sicherheit von Kindern

- Verpackungsmaterialien können für Kinder gefährlich sein. Bewahren Sie Verpackungsmaterialien an einem sicheren Ort außerhalb der Reichweite von Kindern auf.
- Elektrische Geräte können für Kinder gefährlich sein. Halten Sie Kinder stets vom Produkt fern. Verboten Sie Kindern, mit dem Gerät zu spielen.
- Dieses Gerät kann von Kindern ab 8 Jahren sowie von Personen mit eingeschränkten körperlichen, sensorischen oder geistigen Fähigkeiten oder einem Mangel an Wissen und Erfahrung verwendet werden, sofern sie im Hinblick auf eine sichere Benutzung des Gerätes beaufsichtigt werden oder entsprechend angeleitet wurden und die damit verbundenen Gefahren verstehen. Kinder dürfen nicht mit dem Gerät spielen.
- **ACHTUNG:** Zugängliche Teile können sich bei der Verwendung mit dem Kochgerät aufheizen.

## 1.2 Zweckmäßiger Gebrauch

- Dieses Gerät ist für den privaten Gebrauch bestimmt. Es eignet sich nicht zum kommerziellen Einsatz und darf nicht zweckentfremdet verwendet werden.
- Der Hersteller haftet nicht für Schäden aufgrund von unsachgemäßer Benutzung oder Handhabung.
- Die Betriebslebenszeit des Gerätes beträgt 10 Jahre. Dies entspricht dem Verfügbarkeitszeitraum von Ersatzteilen, damit das Produkt richtig funktioniert.
- **WARNUNG:** Falls Sie die Schrauben nicht entsprechend den Anweisungen in der Anleitung befestigen, können elektrische Gefahren entstehen.

## 1.3 Konformität mit WEEE-Richtlinie und Entsorgung von Altgeräten



Dieses Produkt stimmt mit der europäischen WEEE-Richtlinie überein (2012/19/EU). Dieses Produkt trägt ein Klassifizierungssymbol für elektrische und elektronische Altgeräte (WEEE).

Dieses Produkt wurde aus hochwertigen Teilen und Materialien hergestellt, die wiederverwendet werden können und zum Recycling geeignet sind. Altgeräte dürfen nicht über den normalen Hausmüll oder anderen Müll entsorgt werden. Geben Sie das Gerät bei der Sammelstelle für das Recycling von elektrischen und elektronischen Geräten ab. Bitte informieren Sie sich bei Ihren örtlichen Behörden nach diesen Sammelstellen.

## Konformität mit der RoHS-Richtlinie:

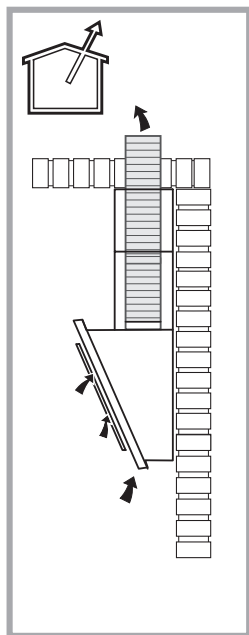
Das von Ihnen erworbene Produkt stimmt mit der europäischen RoHS-Richtlinie (2011/65/EU) überein. Es enthält keine in der Richtlinie angegebenen gefährlichen und verbotenen Materialien.

## 1.4 Informationen zur Verpackung

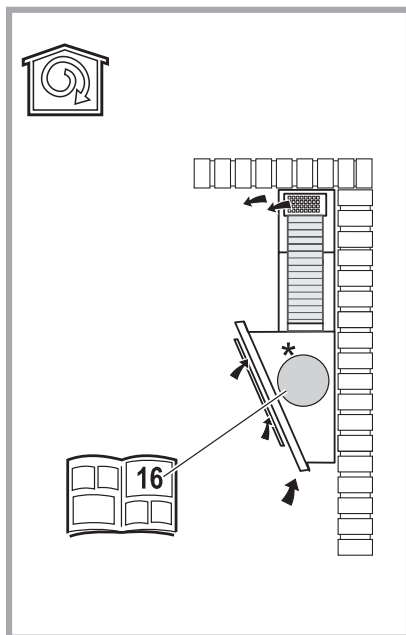


Die Verpackung des Produkts wurde gemäß unserer nationalen Gesetzgebung aus recyclingfähigen Materialien hergestellt. Entsorgen Sie die Verpackungsmaterialien nicht mit dem Hausmüll oder anderem Müll. Bringen Sie sie zu von den lokalen Behörden bereitgestellten Sammelstellen.

## 2 Technische Daten des Gerätes



 Verwendung mit Schacht



 Verwendung mit Kohlefilter

Markierungen am Produkt oder in den mitgelieferten Dokumenten angegebene Werte stellen Werte dar, die unter Laborbedingungen gemäß den jeweils geltenden Standards ermittelt wurden. Diese Werte können je nach Einsatzumgebung und Nutzungsweise des Gerätes variieren.

## 3 Gerät installieren

Bitte kontaktieren Sie den autorisierten Servicedienst in Ihrer Nähe für die Installation des Geräts.

\*Die Vorbereitung des Aufstellortes sowie die Elektroinstallation des Produktes liegen in der Verantwortung des Kunden.



**WARNUNG:** Nach der Installation Schutzfolie (sofern vorhanden) von Dunstabzugshaube und dem Abzug entfernen.

Der Abstand zwischen der Unterkante der Dunstabzugshaube und der Oberkante eines Herdes sollte nicht weniger als 50 cm bei Gasherden und 45 cm bei Elektroherden betragen.

Der elektrische Anschluss sollte von einem qualifizierten Elektriker durchgeführt werden.

Installieren Sie Ihr Produkt so, dass der elektrische Anschluss (Stecker, Steckdose) nach der Installation leicht zugänglich ist.

Alle Abmessungen sind in mm angegeben.

### 3.1 Elektrischer Anschluss

- Die Stromversorgung sollte mit den an der Platte in der Haube angegebenen Werten übereinstimmen. Schließen Sie die Dunstabzugshaube in Übereinstimmung mit den aktuellen Sicherheitsvorkehrungen mit einem Stecker an eine Steckdose an und platzieren Sie diese an einem leicht zugänglichen Ort. Wenn das Gerät nach der Installation nicht über einen Stecker (zur Stromversorgung) verfügen sollte, verwenden Sie einen mit den Richtlinien konformen, doppelpoligen Schalter, mit dem ein Abtrennen zur Vermeidung von Überstrom der Kategorie III gewährleistet wird.



**WARNUNG:** Bevor Sie die Haube wieder an die Stromversorgung anschließen und überprüfen, ob diese richtig funktioniert, vergewissern Sie sich, dass das Netzkabel richtig angeschlossen ist.

- Die Dunstabzugshaube ist mit einem speziellen Netzkabel ausgestattet. Wenden Sie sich an den autorisierten Kundendienst, falls das Netzkabel beschädigt ist.

### 3.2 Installation

#### 3.2.1 Bevor Sie beginnen:

- Überprüfen Sie, ob die Größe des erworbenen Produktes für den Installationsort geeignet ist.
- Entfernen Sie den Aktivkohlefilter (\*), sofern mitgeliefert (siehe auch betreffenden Absatz). Dieser wird nur installiert, wenn Sie die Dunstabzugshaube als Modell mit Filter verwenden möchten.
- Überprüfen Sie, ob anderes Material (z. B. Schraubensatz (\*), Garantieschein (\*) usw.) mit der Haube geliefert wurde. Falls ja, entfernen Sie es und bewahren Sie es an einem anderen Ort auf.
- Entfernen Sie einen freistehenden bzw. verschiebbaren Herd nach Möglichkeit und ziehen Sie ihn zur Seite, damit Rückwand/Decke leicht zugänglich werden. Wenn dies nicht möglich sein sollte, decken Sie Arbeitsplatte, Herd bzw. Ofen zum Schutz vor Schmutz und Beschädigungen mit einem dicken Stofftuch ab. Wählen Sie zur Installation des Geräts einen ebenen Untergrund. Decken Sie die Fläche mit einem Tuch ab und legen Sie alle zusätzlichen Teile der Dunstabzugshaube darauf.
- Prüfen Sie, ob am Montagestandort der Dunstabzugshaube eine Steckdose zur Verfügung steht (die nach der Montage der Haube erreichbar ist) und ob die Dunstabzugshaube nach außen angeschlossen werden kann (nur bei Modellen mit Abluft).

## 3 Gerät installieren

- Beenden Sie alle erforderlichen Installationschritte in Verbindung mit der Wand (z. B. Netzstecker anschließen und/oder Loch für den Abzugsschlauch bohren).

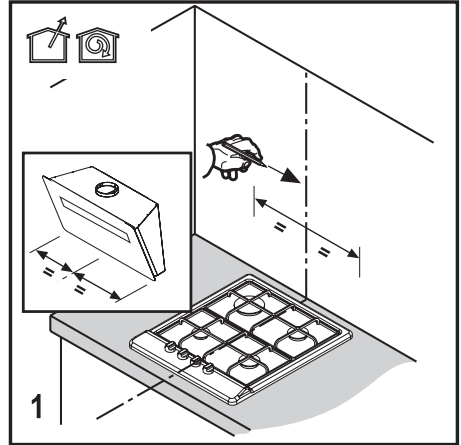
Es sind unterschiedliche Dübel verfügbar, damit Sie die Dunstabzugshaube an verschiedenen Arten von Wänden/Decken montieren können. Zusätzlich sollte die Eignung der Wand/Decke von einem qualifizierten Techniker bestätigt werden. Wand/Decke sollten die Dunstabzugshaube tragen können. Montieren Sie die Haube nicht an Fliesen, Putzwänden oder Silikonoberflächen. Montieren Sie sie nur an einer Wand.

Falls eine Blende und/oder Seitenwand und/oder ein Möbelstück vorhanden sind, stellen Sie sicher, dass der Platz für die Montage der Dunstabzugshaube ausreicht und das Bedienfeld leicht zugänglich ist.

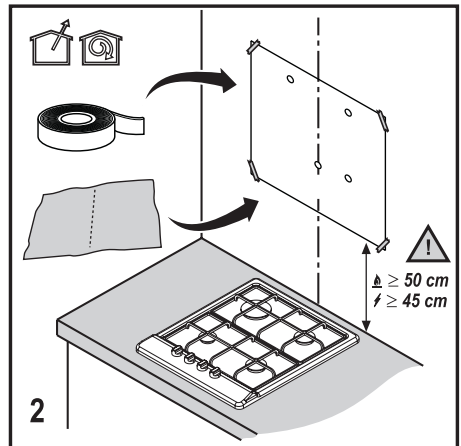
### 3.2.2 Vorbereitungen für die Montage der Dunstabzugshaube an der Wand

Die zur Vorbereitung des Installationsstandortes nötigen Informationen werden nachstehend angegeben.

1. Markieren Sie die Oberfläche, auf der die Montageschablone angebracht werden soll. **(Abbildung 1)**

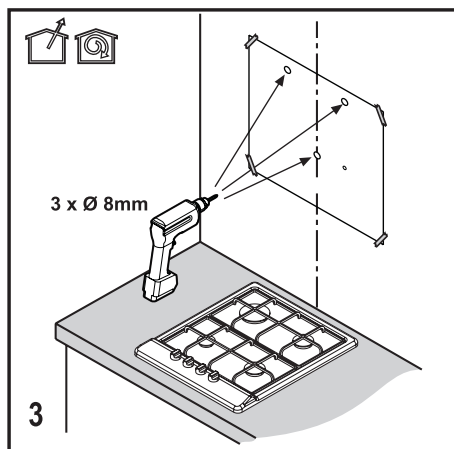


2. Bringen Sie die Montageschablone am Installationsort der Dunstabzugshaube an. **(Abbildung 2)**

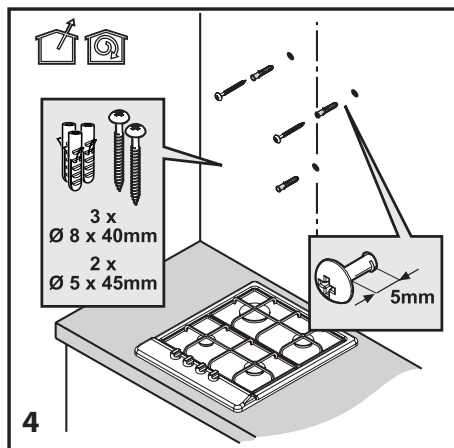


## 3 Gerät installieren

3. Bohren Sie Löcher von  $\varnothing 8$  mm an den markierten Punkten. **(Abbildung 3)**



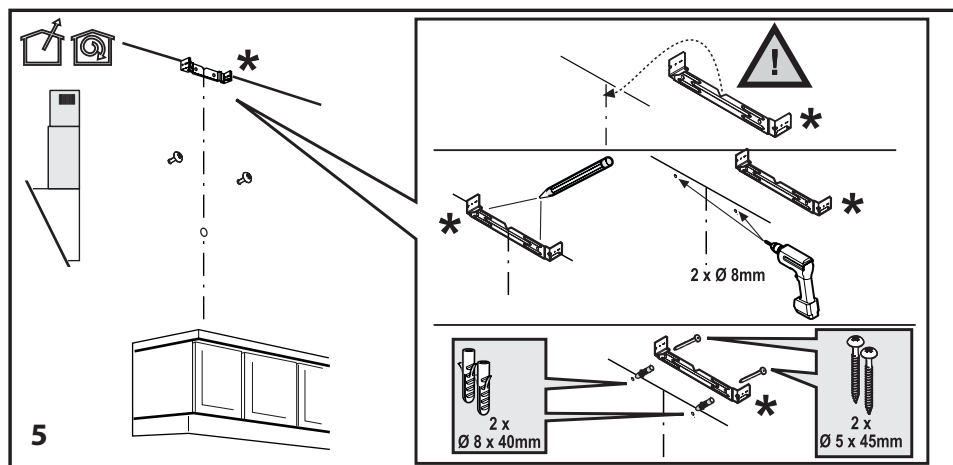
4. Schlagen Sie 3 Dübel á  $\varnothing 8 \times 40$  mm in die gebohrten Löcher. Schrauben Sie 2 Schrauben á  $\varnothing 5 \times 45$  mm in die zuvor eingesteckten Dübel. Zwischen Schraubkopf und Wand muss ein Abstand von 5 mm eingehalten werden. **(Abbildung 4)**



## 3 Gerät installieren

### 3.2.3 Dunstabzugsschacht montieren

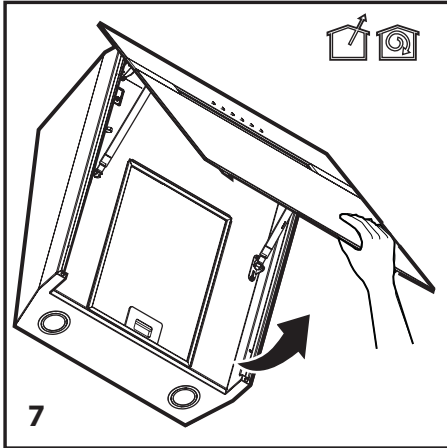
Bohren Sie zum Befestigen der Platte Löcher von  $\varnothing 8$  mm an den markierten Punkten. Schlagen Sie 2 Dübel á  $\varnothing 8 \times 40$  mm in die gebohrten Löcher. Schrauben Sie 2 Schrauben á  $\varnothing 5 \times 45$  mm in die zuvor eingesteckten Dübel. (**Abbildung 5**)



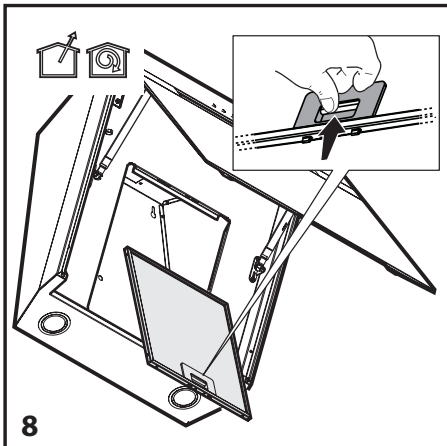
## 3 Gerät installieren

### 3.2.4 Dunstabzugshaube an der Wand montieren

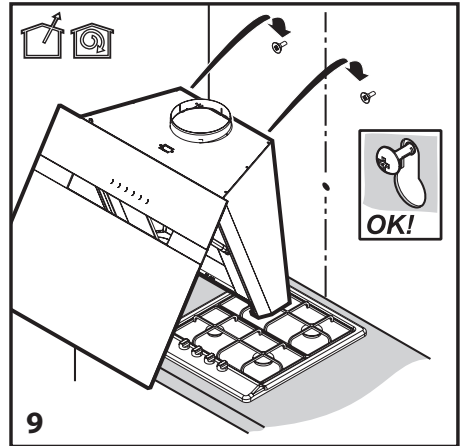
1. Entfernen Sie die Frontblende, um die Dunstabzugshaube an der Wand zu montieren. (Abbildung 7)



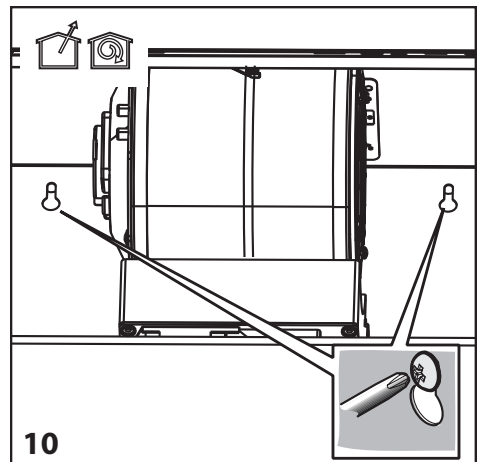
2. Entfernen Sie die Filter. (Abbildung 8)



3. Platzieren Sie die Dunstabzugshaube so, dass die Schrauben auf die Schraubenköpfe passen. (Abbildung 9)



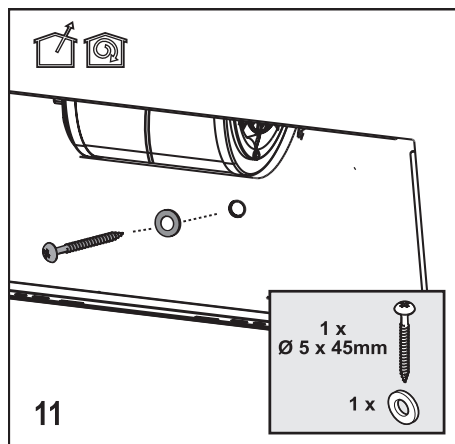
4. Ziehen Sie die Schrauben fest, um die Haube zu befestigen. (Abbildung 10)



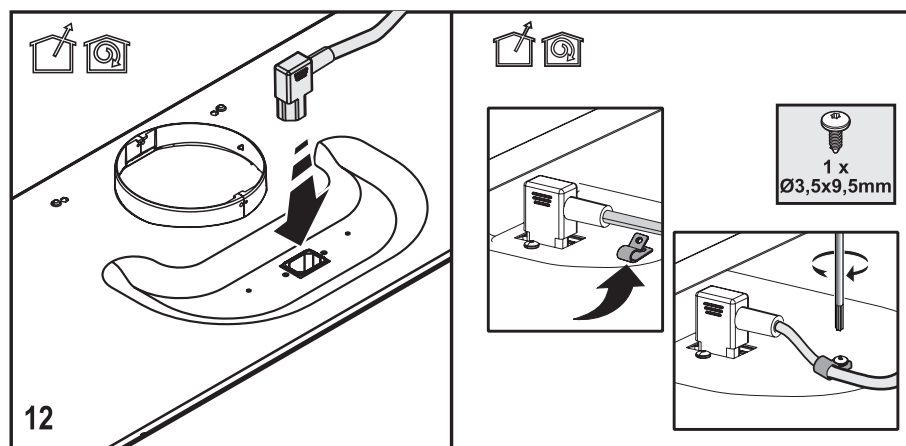


### 3 Gerät installieren

5. Nutzen Sie zum Befestigen der Dienstabzugshaube Unterlegscheiben; ziehen Sie Schrauben á  $\text{Ø} 5 \times 45 \text{ mm}$  fest. **(Abbildung 11)**

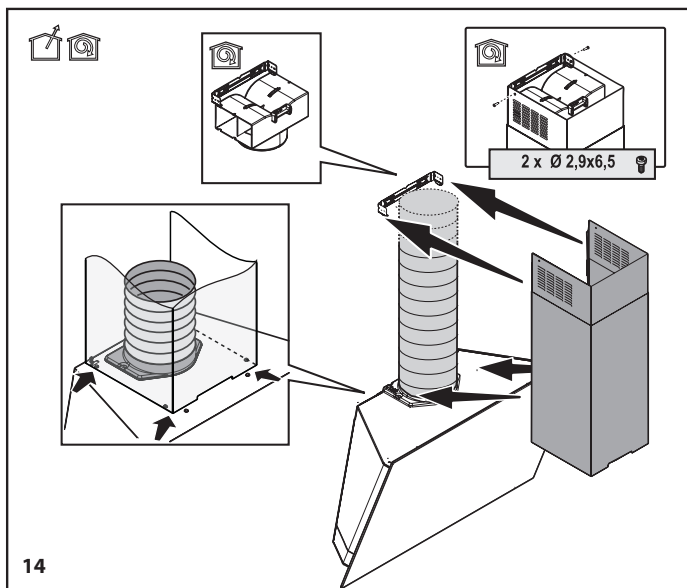
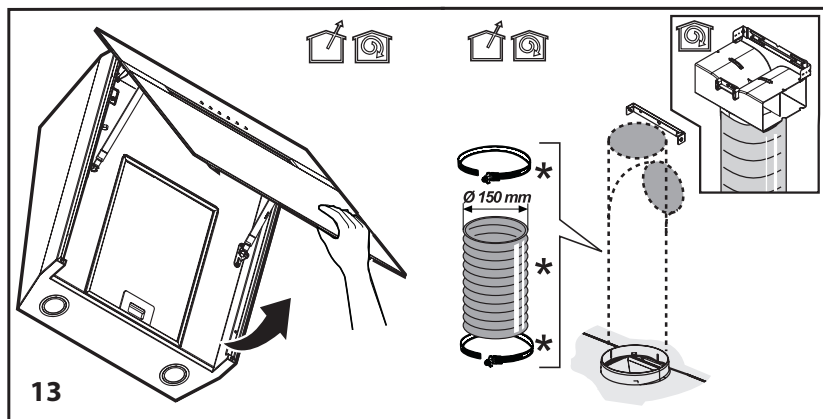


6. Schließen Sie das Netzkabel an. Verwenden Sie zum Befestigen des Kabels eine Schraube á  $\text{Ø} 3,5 \times 9,5 \text{ mm}$ . **(Abbildung 12)**



### 3 Gerät installieren

7. Platzieren Sie die Schachtverbindung in Übereinstimmung mit den Abbildungen. (Abbildung 13, 14)

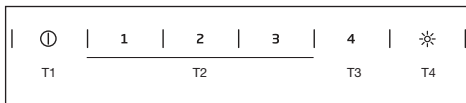


## 4 Gerät bedienen

### 4.1 Bedienung

- Arbeiten Sie mit einer erhöhten Abzugsleistung, wenn sich übermäßige Dünste in der Küche bilden. Es wird empfohlen, dass die Dunstabzugshaube 5 Minuten vor Kochbeginn eingeschaltet wird und während des Kochvorgangs und bis zu 15 Minuten nach dem Kochen eingeschaltet bleibt.

### 4.2 Stufen steuern



- T1.** Ein-/Austaste. Falls das Gerät ausgeschaltet ist, wird das Gerät mit dieser Taste eingeschaltet. Falls das Gerät auf eine beliebige Geschwindigkeitsstufe eingestellt ist, wird es mit dieser Taste ausgeschaltet.
- T2.** Betreibt das Gerät bei den Geschwindigkeitsstufen 1, 2 und 3.
- Betreibt das Gerät bei Geschwindigkeitsstufe 1. LED 1 leuchtet.
- Betreibt das Gerät bei Geschwindigkeitsstufe 2. LED 2 leuchtet.
- Betreibt das Gerät bei Geschwindigkeitsstufe 3. LED 3 leuchtet.
- T3.** Betreibt das Gerät 5 Minuten lang bei Geschwindigkeitsstufe 4. Wenn das Gerät bei einer beliebigen Stufe (1, 2, 3) läuft, leuchtet die LED der aktuellen Geschwindigkeit bei Betätigung dieser Taste dauerhaft und die LED von Geschwindigkeitsstufe 4 blinkt. Nach Ablauf der 5 Minuten erlischt die LED von Geschwindigkeitsstufe 4 und das Produkt verlässt den maximalen Geschwindigkeitsmodus. Wird die Taste von Geschwindigkeitsstufe 4 vor Ablauf der 5 Minuten gedrückt, verlässt das Produkt den maximalen Geschwindigkeitsmodus.

- T4.** Taste Lampe ein/aus. Drücken Sie diese Taste zum Ein-/Ausschalten der Lampe kurz. Halten Sie die Taste zur Auswahl einer der 5 Helligkeitsstufen länger als 1 Sekunde gedrückt.

### 4.3 Fettfilteralarm

LED 1 fordert durch Blinken zur Reinigung des Metallfilters auf. Wenn dieser Alarm erscheint, ist es an der Zeit, den Fettfilter zu reinigen. Halten Sie die Ein-/Austaste zum Rücksetzen der Warnung während des Betriebs 3 Sekunden gedrückt. LED 1 hört auf zu blinken.

### 4.4 Kohlefilteralarm

Das Produkt wird mit deaktiviertem Kohlefilteralarm geliefert. Halten Sie die Tasten 1 und 2 zum Aktivieren des Kohlefilter-Reinigungsalarms 3 Sekunden gedrückt, während das Produkt abgeschaltet ist. Zuerst leuchtet LED 1, dann leuchten LED 1 und 2; dies zeigt an, dass die Warnung aktiviert wurde. Halten Sie die Tasten 1 und 2 zum Deaktivieren des Alarms 3 Sekunden gedrückt, während das Produkt abgeschaltet ist. Zuerst leuchten LED 1 und 2, dann leuchtet LED 1; dies zeigt an, dass die Warnung deaktiviert wurde.

LED 2 fordert durch Blinken zur Reinigung des Kohlefilters auf. Halten Sie die Ein-/Austaste zum Rücksetzen der Warnung während des Betriebs 3 Sekunden gedrückt.



Falls die Warnungen zur Reinigung von Metall- und Kohlefilter gleichzeitig aktiviert sind, sollte die Rücksetzung für jede Warnung separat durchgeführt werden.

### 4.5 Energieeffiziente Benutzung:

- Vermeiden Sie unnötigen Energieverbrauch, indem Sie bei Verwendung der Dunstabzugshaube die Geschwindigkeitsstufe entsprechend der Geruchs- und Dunstintensität anpassen.
- Unter normalen Bedingungen sollten Sie die geringen Geschwindigkeitsstufen (1 bis 2) und bei intensiven Gerüchen und Dämpfen die hohen Geschwindigkeiten (3 bis 4) verwenden.
- Die Lampen an der Dunstabzugshaube dienen der Beleuchtung des Garbereichs. Ihr Einsatz zur Beleuchtung der Umgebung/Küche führt zu unnötigem Energieverbrauch und unangemessener Beleuchtung.

## 5 Reinigung und Wartung

### 5.1 Reinigung

- Denken Sie daran, vor Reinigungs- und Wartungsarbeiten den Netzstecker zu ziehen, den Hauptschalter zu deaktivieren oder die Sicherung der Dunstabzugshaube rauszunehmen.
- Die Dunstabzugshaube sollte regelmäßig (d. h. mindestens so häufig, wie die Fettfilter gewartet werden) von innen und außen gereinigt werden.
- Reinigen Sie die Dunstabzugshaube mit einem sauberen, mit warmem Wasser und neutralem Flüssigreiniger angefeuchteten Tuch.
- Verwenden Sie keine Scheuermittel. KEINEN ALKOHOL VERWENDEN!



**WARNUNG:** Werden die grundlegenden Reinigungsanweisungen der Dunstabzugshaube und das Auswechseln der Filter nicht eingehalten, kann Feuer entstehen.

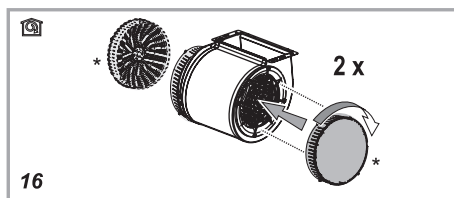
- Aus diesem Grund empfehlen wir Ihnen, die erwähnten Anweisungen einzuhalten.
- Der Hersteller kann nicht für Feuer oder Schäden zur Verantwortung gezogen werden, die aufgrund unsachgemäßer Wartung oder der Nichteinhaltung der zuvor genannten Sicherheitsvorkehrungen entstanden sind.

### 5.2 Glasblende reinigen

- Glasblende und Saugflächen sollten in dem gleichen Intervall wie die Fettfilter gereinigt werden.
- Reinigen Sie sie mit einem feuchten Tuch und einem neutralen Flüssigreiniger.
- Vermeiden Sie Scheuermittel. NICHT MIT ALKOHOL REINIGEN!

### 5.3 Kohlefilter (nur bei Modellen mit Filter)

- Nach langer Benutzung kann der Kohlefilter je nach Kochgewohnheiten und Häufigkeit der Reinigung gesättigt sein.
- In jedem Fall sollte der Kohlefilter mindestens alle vier Monate gewechselt werden (oder wenn die Filter-voll-Anzeige anzeigt, dass der Filter gewechselt werden muss). **(Abbildung 16)**
- Der Kohlefilter kann nicht gewaschen und wiederverwendet werden.



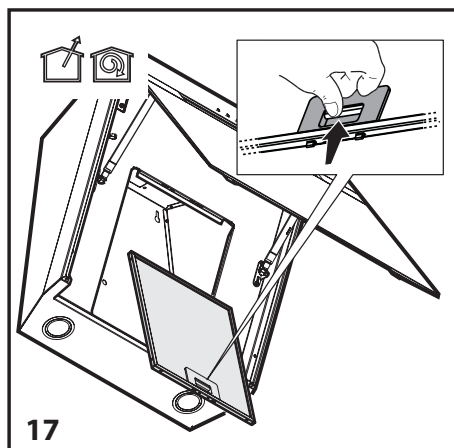
### Runder Kohlefilter

- Legen Sie einen Filter neben das Schutzgitter des Motorpropellers und drehen Sie das Teil dann im Uhrzeigersinn.
- Zur Demontage drehen Sie es gegen den Uhrzeigersinn.

### 5.4 Fettfilter

- Nimmt Fettpartikel auf, die beim Kochen entstehen.
- Der Fettfilter sollte jeden Monat (bzw. gibt die Filteranzeige, falls diese im jeweiligen Modell vorhanden ist, eine Reinigung vor) mit einem säurefreien Reiniger per Hand oder in der Spülmaschine bei geringer Temperatur und einem kurzen Programm gereinigt werden.
- Wenn er in der Spülmaschine gereinigt wird, kann die Farbe des Fettfilters leicht verblassen. Dies beeinträchtigt nicht dessen Filterleistung.
- Ziehen Sie den Federentriegelungshebel zum Entfernen des Fettfilters. **(Abbildung 17)**

## 5 Reinigung und Wartung



### 5.5 Reinigung

- Keinesfalls vergessen, die Dunstabzugshaube direkt nach dem Braten zu reinigen.
- Außenseite der Dunstabzugshaube mit einem mit flüssigem Reinigungsmittel angefeuchteten Tuch reinigen.
- Zur Reinigung niemals scheuernde oder kratzende Reiniger verwenden.
- Bei der Reinigung mit handelsüblichen Mitteln gegen hartnäckiges Fett etc. die Warnhinweise am Produkt beachten. Zur Vermeidung von Kratzern an Gehäusen aus gebürstetem Stahl in Richtung der Bürstenspuren wischen.
- Zur Wahrung der Oberflächenqualität Ihres Produktes keine Reinigungsmittel verwenden, die Chlorwasserstoffsäure, Bleichmittel oder Scheuerpulver enthalten. Für Edelstahloberflächen ein mit Seifenwasser oder speziellem Edelstahl-Reinigungsspray angefeuchtetes Tuch verwenden. Schutzfolie vom Gerät entfernen.



**Achtung:** Wenn Sie die Anweisungen zur Reinigung und zum Auswechseln der Filter Ihrer Dunstabzugshaube nicht einhalten, können Brände entstehen.



**Falls das Gerät transportiert werden muss:**

Originalverpackung des Gerätes aufbewahren. Gerät mit der Originalverpackung transportieren und Transportmarkierungen an der Verpackung befolgen.

### Falls die Originalverpackung nicht mehr vorhanden ist:

- Platzieren Sie keine schweren Gegenstände auf der Dunstabzugshaube.
- Schützen Sie die Außenseite vor Stoßeinwirkungen.
- Verpacken Sie das Produkt so, dass es während des Transports nicht beschädigt wird.

### 5.6 Lampen austauschen



**WARNUNG:** Bevor Sie die Glühlampen anfassen, sollten Sie sicherstellen, dass diese abgekühlt sind.



Wenden Sie sich zum Auswechseln der Lampe an einen Vertreter des autorisierten Kundendienstes.

## Моля, първо прочетете настоящото ръководство!

Уважаеми клиенти,

Благодарим ви, че избрахте продукт на Беко. Надяваме се да получите отлични резултат от нашия продукт, произведен от висококачествени материали по най-модерна технология. Затова преди да преминете към употребата на уреда, ви молим първо да прочетете цялото ръководство за употреба, както и другата придружителна документация, като ги запазите за справка в бъдеще. Ако продуктът смени собственика си в бъдеще, то предоставете и ръководството за употреба заедно с уреда. Следвайте всички предупреждения и указания от ръководството за употреба.

Не забравяйте, че това ръководство за употреба важи и за няколко други модела. Разликите между моделите са описани подробно в ръководството.

### Значение на символите

В различните раздели на ръководството са използвани следните символи:



Важна информация и полезни съвети за употребата.



**ПРЕДУПРЕЖДЕНИЕ:** Предупреждения за опасни ситуации за здравето и собствеността.



Предупреждение а опасност от токов удар.



Предупреждение за горещи повърхности.



Продуктът е произведен в съвременни заводи, щадящи околната среда, без вреда за природата.

Този раздел съдържа инструкции за безопасност, които ще ви помогнат да се защитите от риск от нараняване или повреди на собствеността. Непазването на инструкциите обезсилва предоставената гаранция.

## 1.1 Обща безопасност

- Монтажът и ремонтите трябва да се извършват от упълномощен сервизен агент. Фирмата производител няма да носи отговорност за причинени от неупълномощени лица щети.
  - Уредът не е предназначен за използване от лица (включително деца) с намалени физически, сензорни или умствени възможности или такива, които нямат опит или познания. Децата трябва да се наблюдават, за да се гарантира, че няма да играят с уреда.
- ### 1.1.1 Електрическа безопасност
- Винаги изключвайте уреда от захранването по време на монтаж, поддръжка, почистване и ремонт.
  - При повреди в захранващия кабел е необходимо той да бъде сменен от квалифицирано лице, упълномощено от производителя, отдела за обслужване след продажбата или други подобни лица (за предпочитане електротехници) или посочените от вносителя лица.
  - Работното напрежение е 220 до 240 волта.
  - Ако уредът е повреден, не трябва да се използва, освен ако не бъде ремонтиран от упълномощен сервизен агент. Съществува риск от токов удар!
  - Не прокарвайте захранващия кабел в близост до котлони. В противен случай кабелът може да причини пожар, тъй като е възможно да се стопи лесно.
  - Никога не включвайте абсорбатора преди да е завършил монтажа.
  - За най-добра ефективност външният проводник не трябва да бъде по-дълъг от 4 m. Необходимо е да прави повече от 2 перпендикулярни (90°) ъгъла и диаметърът му трябва да бъде минимум  $\varnothing 120$  mm.



- Изключете уреда от захранването преди работа по вътрешните части.
- Използвайте уреда само със заземени контакти.
- Никога не докосвайте лампите на абсорбатора, ако са работили продължително време. Горещите лампи може да причинят изгаряния.

### 1.1.2 Безопасност на продукта

- Можете да използвате тръба с диаметър 120 mm или 150 mm върху връзката на дымоотвода към абсорбатора.
- Не правете връзки към дымоотводи, свързани с готварски печки, вентилационни шахти или дымоотводи с издигащи се пламъци. Спазвайте правилата за изпускане в атмосферата.
- Височината между долната повърхност на абсорбатора и горната повърхност на печката/фурната не трябва да бъде по-малко от 50 cm при газови котлони и 45 cm при електрически котлони.
- Не работете с абсорбатора без поставени алуминиеви филтри и не отстранявайте филтрите по време на работа.
- Избягвайте високи пламъци под продукта. В противен случай частиците на масления филтър могат да се запалят и да причинят пожар.
- Включвайте котлоните след като поставите върху тях тенджера или тиган. В противен случай издигащата се топлина може да деформира определени части на продукта.
- Изключвайте котлоните преди да отстраните от тях тенджерите или тиганите.
- Избягвайте да поставяте възпламеними материали под абсорбатора.
- При пържене на храни е възможно олиото да се запали. Следователно внимавайте за дрехите и завесите.
- Никога не оставяйте готварската печка без наблюдение, когато пържите; в противен случай горещото олио може да причини пожар.

## Важни инструкции във връзка с безопасността и околната среда

- Съществува риск от пожар, ако абсорбаторът не се почитсва в посочените периоди.
- Бъдете изключително внимателни и носете ръкавици, когато почиствате абсорбатора.
- Препоръчваме да включите уреда за няколко минути преди да започнете да готвите, за да увеличите смукателната му мощ. По този начин ще създадете продължителна и стабилна смукателна мощ при възникване на пари.
- Оставете абсорбатора да работи 15 минути след края на готвенето или пърженето, за да отстраните миризмите и парите от кухнята.
- Когато използвате абсорбатора, особено с газови печки, се уверете, че средата се вентилира с чист въздух.
- Обърнете внимание и не свързвайте уреда към димоотводи, използвани от неелектрически уреди. (Т.е.: Димоотводи за награвателни печки).
- Едновременното безпроблемно използване на абсорбатора с друг уред, изискващ въздух, е възможно само при ниско налягане от 4 Pa (0.04 mbar), при което се избягва повторното абсорбиране на газове. Това може да се постигне само при постъпване на въздух от непокрити отвори (врати, прозорци, вентилационни отвори или други технически приспособления). Особено важно е да осигурите достатъчен въздушен поток. Димоотвод, който осигурява достъп/отвеждане на въздух не е достатъчен за тази цел.

### 1.1.3 Безопасност за децата

- Опаковъчните материали са опасни за децата. Пазете опаковъчните материали на безопасно място, далеч от обсега на деца.
- Електрическите уреди са опасни за децата. Пазете децата от продукта. Не позволявайте децата да играят с уреда.

# Важни инструкции във връзка с безопасността и околната среда

- Уредът може да се използва от деца, които са на възраст над 8 години и от лица с ограничени физически, сензорни или умствени възможности, или които нямат познания и опит, ако те бъдат наблюдавани по отношение на безопасното му използване или са инструктирани и разбират рисковете от използването на продукта. Децата не трябва да играят с уреда.
- **ВНИМАНИЕ:** Достъпните части могат да се нагреят по време на употреба при използване с уред за готвене.

## 1.2 Предназначение

- Уредът е предназначен само за битова употреба. Не е подходящ за комерсиална употреба и не трябва да се използва за цели извън предназначението му.
- Производителят не носи отговорност за щети, причинени от неправилно използване или поддържане.
- Експлоатационният живот на уреда е 10 години. Това е и периодът на предлагане на резервни части за правилно функциониране на продукта.

- **ПРЕДУПРЕЖДЕНИЕ:** Ако не фиксирате винтовете в съответствие с инструкциите в настоящото ръководство, са възможни свързани с електричеството рискове.

## 1.3 Съответствие на директивата WEE и изхвърляне на отпадъчните продукти



Уредът съответства на европейската директива WEEE (2012/19/EU). Продуктът носи символ за класификация за отпадъчно електрическо или електронно оборудване (WEEE).

Този продукт е произведен от висококачествени части и материали, които могат да бъдат използвани повторно и рециклирани. В края на експлоатационния му живот не изхвърляйте уреда с обикновените битови отпадъци. Занесете го в събирателен пункт за рециклиране на електрическо и електронно оборудване. Свържете се с местните власти, за да научите къде е най-близкият събирателен пункт.

## Съответствие с директивата RoHS:

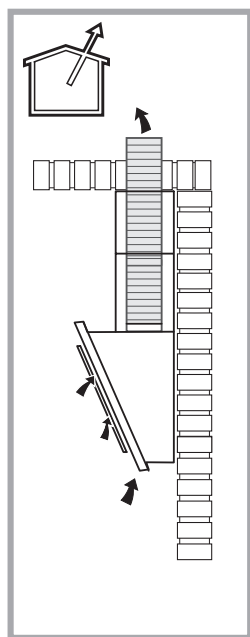
Закупеният от вас продукт съответства на европейската директива RoHS (2011/65/EU). Не съдържа описаните в директивата вредни и забранени материали.


## 1.4 Информация за опаковката



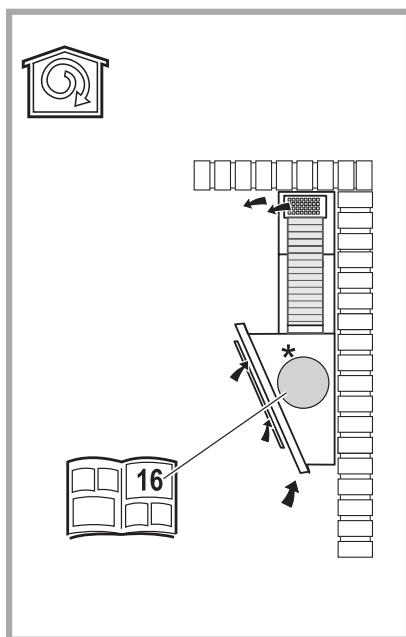
Опаковката на продукта е изготвена от подлежащи на рециклиране материали в съответствие с националното ни законодателство. Не изхвърляйте опаковъчните материали с битови или други отпадъци. Отнесете ги в център за събиране на опаковъчни материали, посочен от местните власти.


## 2 Технически спецификации на уреда



 Използване  
димноотвод

с



 Използване с въглен филтър

Маркировките на продукта или стойностите, посочени в други документи, доставени с него са стойности, получени при лабораторни условия, съгласно приложими стандарти. Тези стойности може да варират, в зависимост от работните условия на продукта и условията на околната среда.

## 3 Монтаж на уреда

Свържете се с най-близкия упълномощен сервизен агент за монтаж на абсорбатора.

\*Подготовката на мястото и електрическото инсталиране на продукта са отговорност на потребителя.



**ПРЕДУПРЕЖДЕНИЕ:** Отстранете защитното фолио (ако има такова) от повърхността на абсорбатора и димоотвода след монтажа.

Височината между долната повърхност на абсорбатора и горната повърхност на печката/фурната не трябва да бъде по-малко от 50 cm при газови котлони и 45 cm при електрически котлони.

Електрическите връзки трябва да се направят от квалифициран електротехник.

Монтирайте продукта така, че да можете да достигате захранващия кабел (щепсел, контакт) лесно след монтажа.

Размерите са дадени в mm.

### 3.1. Свързване на захранването

- Захранването трябва да съответства на посочените в корпуса на абсорбатора данни. Свържете абсорбатора към контакт, съответстващ на посочените върху него данни, и го разположете така, че да бъде на достъпно място. След монтажа, ако уредът няма щепсел (директно захранване) или щепселът е труднодостъпен, използвайте превключвател в линията, който позволява изключване на захранването при условия на свръхток от категория III.



**ПРЕДУПРЕЖДЕНИЕ:** Преди да свържете отново абсорбатора към захранването и да проверите дали работи правилно, се уверете, че захранващият кабел е свързан правилно.

- Абсорбаторът е оборудван със специален захранващ кабел. Свържете се с упълномощен сервизен агент, ако захранващият кабел се повреди.

### 3.2. Монтаж

#### 3.2.1 Преди да започнете монтажа:

- Проверете дали продуктът има подходящ размер за мястото на монтажа.
- Отстранете въгления филтър (\*), ако е доставен (вижте съответния параграф). Той се монтира, само ако желаете да използвате абсорбатора като модел с филтър.
- Проверете дали с абсорбатора са доставени други материали (например пакет с винтове (\*), гаранционна карта (\*) и др.) и ако това е така, ги отстранете и съхранете на друго място.
- Ако е възможно отстранете свободностоящите или плъзгащи се котлони и ги издърпайте настрана, за да достигнете задната стена / тавана лесно. Ако не е възможно, покрийте плота, котлона или фурната с плътно защитно покривало, за да ги запазите от повреди и замърсяване. Изберете равна повърхност за монтиране на уреда. Покрийте повърхността със защитно покривало и разположете всички разопаковани части върху него.
- Освен това проверете дали в областта за сглобяване на абсорбатора има контакт (в близост в достъпната област след монтажа на абсорбатора) и дали е възможно свързване на аспирацията на абсорбатора (само за модели с аспирация).

### 3 Монтаж на уреда

- Завършете необходимите операции на стената (например включване на щепсела и/или пробиване на отвор за маркуча за отвеждане).

Предлагат се широки шпонки за фиксиране на абсорбатора към разнообразни типове стени / тавани. Освен това е необходимо да се потвърди съвместимостта на материала с материала на стената/тавана от упълномощен техник. Стената/таванът трябва да издържат теглото на абсорбатора. Не монтирайте уреда на повърхности от керамични плочи, гипс или силикон. Прикрепвайте само към стена.

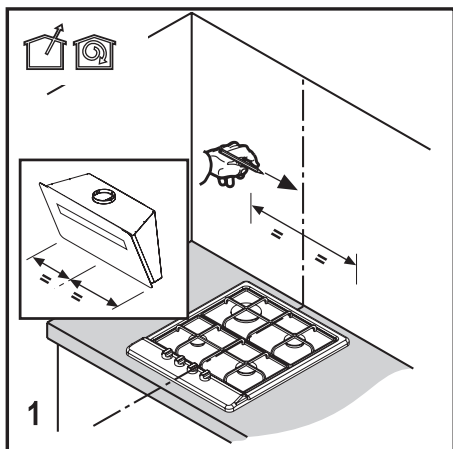
Ако има панел и/или странична стена, и/или мебели, проверете дали има достатъчно място за сглобяване на абсорбатора и дали панелът за управление ще бъде лесно достъпен.

## 3 Монтаж на уреда

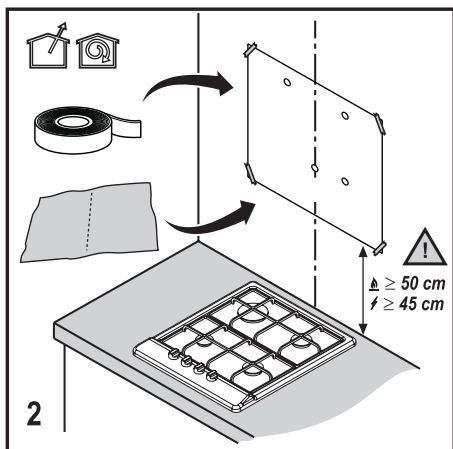
### 3.2.2 Подготовка за монтиране на абсорбатора на стената

По-долу е дадена информацията, необходима за подготовката на монтажното място на абсорбатора.

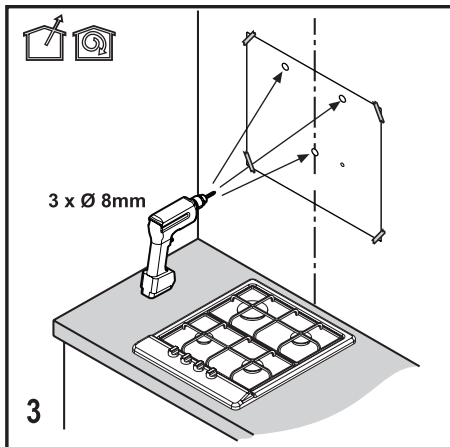
1. Обозначете повърхността, върху която искате да окачите сглобката. (Фигура 1)



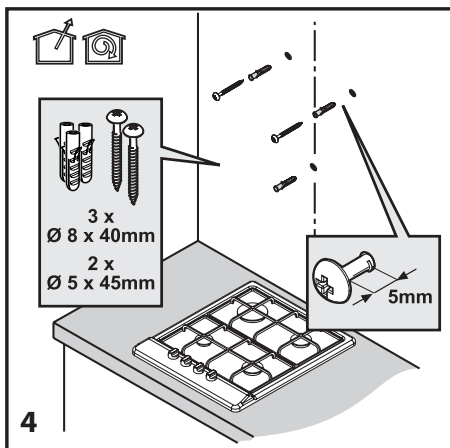
2. Фиксирайте шаблона на сглобката върху монтажното място на абсорбатора. (Фигура 2)



3. Пробийте отвор със свредло  $\varnothing 8$  mm на маркираните точки. (Фигура 3)



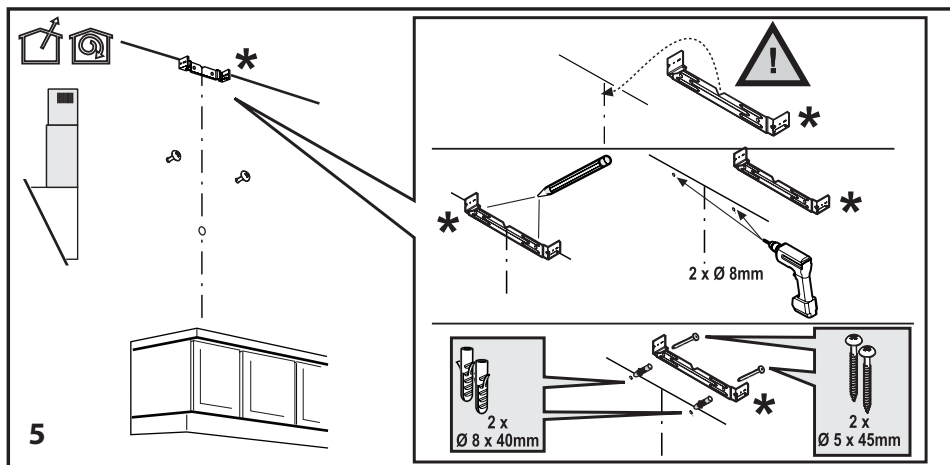
4. С помощта на чук прикрепете 3 броя шпонки  $\varnothing 8 \times 40$  mm в пробитите отвори. Завийте 2 винта  $\varnothing 5 \times 45$  mm в поставените по-горе начин шпонки. Необходимо е да има междина от 5 mm между главата на винта и стената. (Фигура 4)



## 3 Монтаж на уреда

### 3.2.3 Сглобяване на димоотвода на абсорбатора

Пробийте отвори на маркираните точки със свредло  $\varnothing 8$  mm, за да прикрепите плочата на димоотвода. С помощта на чук поставете две шпонки  $\varnothing 8 \times 40$  mm в пробитите отвори. Завийте 2 винта  $\varnothing 5 \times 45$  mm към поставените по описания начин шпонки. (Фигура 5)

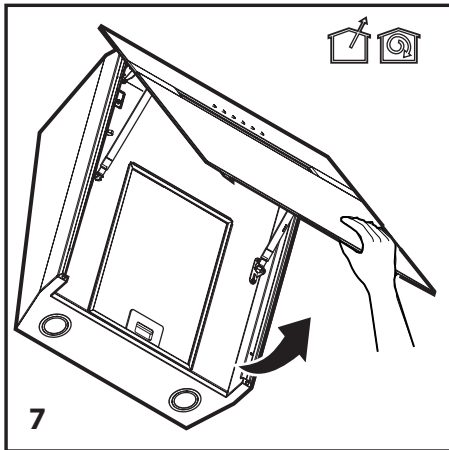




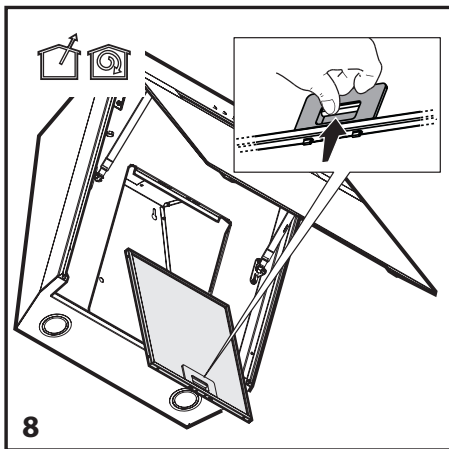
## 3 Монтаж на уреда

### 3.2.4 Сглобяване на абсорбатора на стената

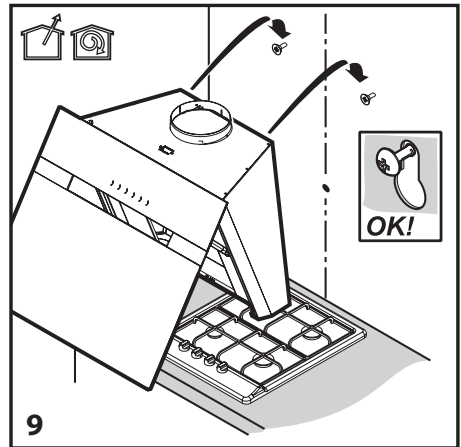
1. Отстранете предния панел, за да прикрепите абсорбатора към стената. (Фигура 7)



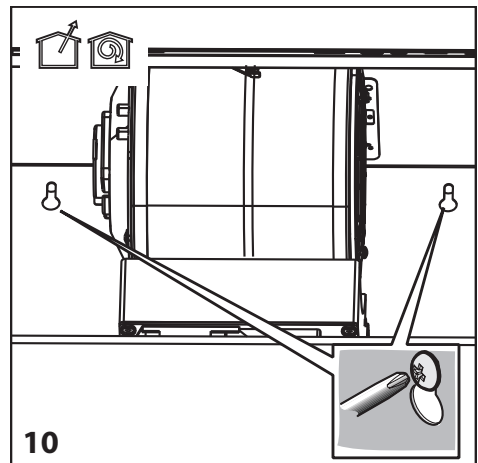
2. Отстранете филтрите. (Фигура 8)



3. Поставете абсорбатора по такъв начин, че винтовете да съвпадат с главите на винтовете. (Фигура 9)

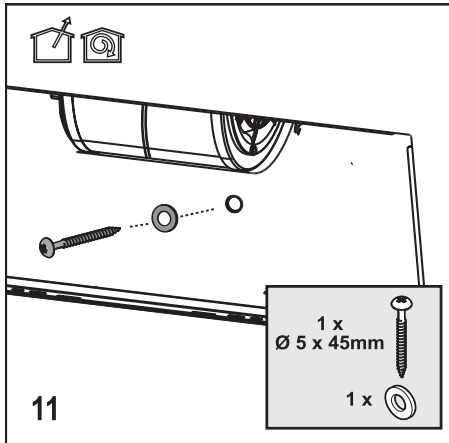


4. Затегнете винтовете, за да закрепите абсорбатора. (Фигура 10)

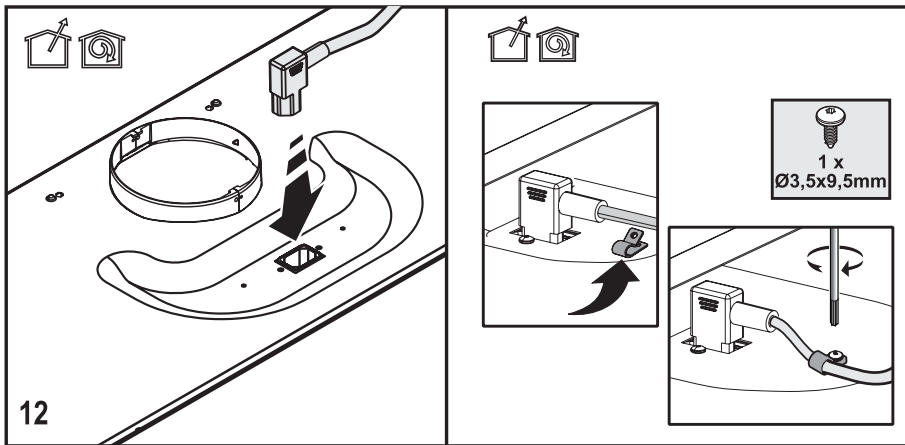


### 3 Монтаж на уреда

5. За да закрепите абсорбатора, използвайте шайби и затегнете с винтове  $\varnothing$  5x45 (Figure 11)

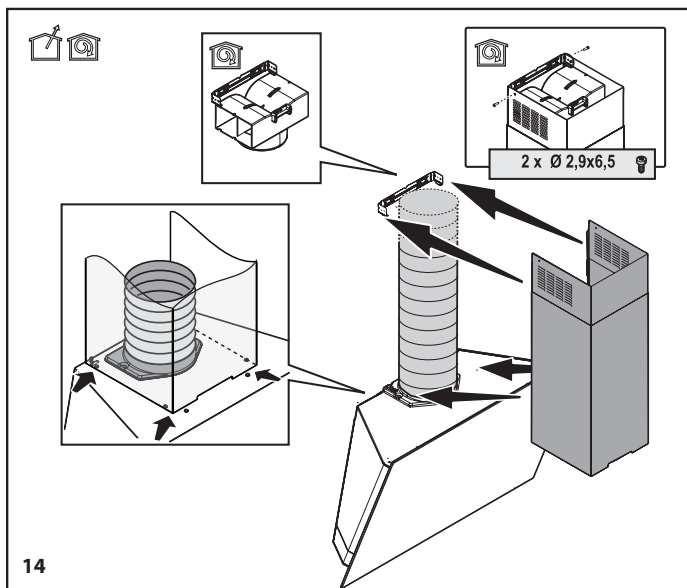
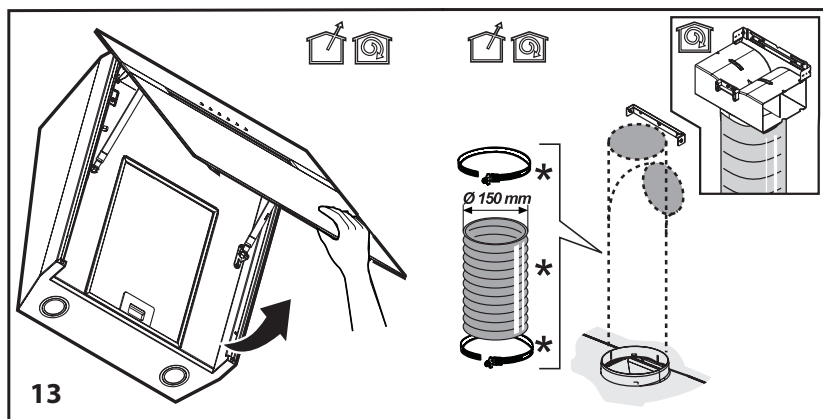


6. Включете захранващия кабел. За затягане на кабела използвайте винтове  $\varnothing$  3,5x9,5. (Figure 12)



### 3 Монтаж на уреда

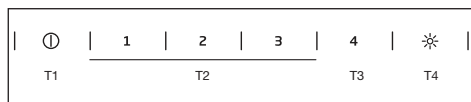
7. Разположете връзката на дымоотвода както е показано на фигурите. (Фигура 13, 14)



### 4.1 Работа

- Използвайте високата смукателна мощ, ако в кухнята има твърде много пари. Препоръчва се засмукването на абсорбатора да се включи 5 минути преди началото на готвенето и да продължи да работи както по време на приготвянето, така и 15 минути след приключването му.

### 4.2 Управление с помощта на нива



- T1.** Бутон за включване/изключване. Ако уредът е изключен, е необходимо да го включите. Ако уредът е на определено ниво на скорост, то се изключва.
- T2.** Включва уреда на нива на скорост 1, 2 и 3.
- Включва уреда на ниво на скорост 1. Светва светлинен индикатор 1.
- Включва уреда на ниво на скорост 2. Светва светлинен индикатор 2.
- Включва уреда на ниво на скорост 3. Светва светлинен индикатор 3.
- T3.** Включва уреда на ниво на скорост 4 за 5 минути. Докато уредът работи на произволно ниво (1,2,3) натискането на бутона води до стабилно светене на светлинния индикатор на скоростта и примигване на светлинния индикатор за ниво на скорост 4. В края на 5 минути светлинния индикатор за ниво на скорост 4 изгасва и продуктът излиза от режим на максимална скорост. Ако натиснете бутона за ниво на скорост 4 преди изтичането на 5 минути, продуктът излиза от режима на максимална скорост.

- T4.** Бутон за вкл./изкл. на лампата. Натиснете бързо този бутон, за да включите/изключите лампата. Натиснете и задръжте за повече от 1 секунда, за да изберете едно от 5 нива на яркост.

### 4.3 Аларма на филтъра за мазнини

Примигването на светлинен индикатор 1 предупреждава потребителя да почисти металния филтър. При наличие на тази аларма е време да почистите филтъра за мазнини. Натиснете и задръжте бутона за вкл./изкл. за 3 секунди, за да нулирате предупреждението, когато продуктът работи. Светлинен индикатор 1 престава да примигва.

### 4.4 Аларма на въгления филтър

Продуктът се доставя с деактивирана аларма на въгления филтър. Натиснете и задръжте бутон 1 и 2 за 3 секунди, за да активирате предупреждението за почистване на въгления филтър, когато продуктът е изключен. Светва първо светлинен индикатор 1, а след това 1 и 2, за да покажат, че алармата е активирана. Натиснете и задръжте бутони 1 и 2 за 3 секунди, за да деактивирате предупреждението, когато продуктът е изключен. Светват първо светлинни индикатори 1 и 2, а след това 1, за да покажат, че алармата е деактивирана.

Примигването на светлинен индикатор 2 предупреждава потребителя да почисти въгления филтър. Натиснете и задръжте бутона за вкл./изкл. за 3 секунди, за да нулирате предупреждението, когато продуктът работи.



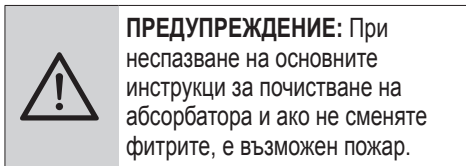
Ако едновременно са активни предупреждения за почистване на въглен и метален филтър, нулирането трябва да се извърши поотделно за всяко от предупрежденията.

### 4.5 Енергийно ефективна употреба

- По време на работа на абсорбатора регулирайте нивата на скорост според интензивността на миризмите и парите, за да предотвратите нежелана енергоконсумация.
- Използвайте ниски скорости (1-2) при нормални условия и високи скорости (3-4) при голяма интензивност на миризмите и парите.
- Лампите на абсорбатора са предназначени за осветяване на зоната за готвене. Използването им за осветление на кухнята ще въведе до нежелана енергоконсумация и неадекватно осветление.

### 5.1 Почистване

- Преди почистване и поддръжка изключете уреда и изключете превключвателя на захранването или разхлабете/изключете предпазителя на захранващата веига на абсорбатора.
- Абсорбаторът трябва да се почиства редовно (при всяко почистване и поддръжка на филтъра за мазнини) отвътре и отвън.
- Почиствайте абсорбатора като използвате натопена в топла вода и неутрален течен почистващ препарат кърпа.
- Не използвайте абразивни продукти. НЕ ИЗПОЛЗВАЙТЕ СПИРТ.



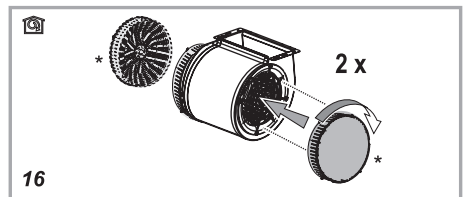
- Поради тази причина препоръчваме да следвате споменатите инструкции.
- Производителят не носи отговорност за двигателя и щети от пожар, причинени поради неправилна поддръжка или наследване на споменатите по-горе препоръки за безопасност.

### 5.2 Почистване на стъкления панел

- Стъкленият панел и смукателните повърхности трябва да се почистват на същия интервал, както филтрите за мазнина.
- Почиствайте с кърпа, навлажнена в неутрален течен почистващ препарат.
- Избягвайте използването на абразивни материали. НЕ ПОЧИСТВАЙТЕ СЪС СПИРТ!

### 5.3 Въглен филтър (само за модели с филтриране)

- След дълъг период на употреба въгленият филтър може да се запълни, в зависимост от типа на храните, които приготвяте, и от това дали сте почиствали редовно филтъра за мазнини.
- Във всички случаи трябва да се сменя поне веднъж на всеки четири месеца (или когато системата за отчитане на филтъра покаже, че той трябва да се смени). (Фигура 16)
- Въгленият филтър не може да се мие и използва отново.



### Кръгъл въглен филтър

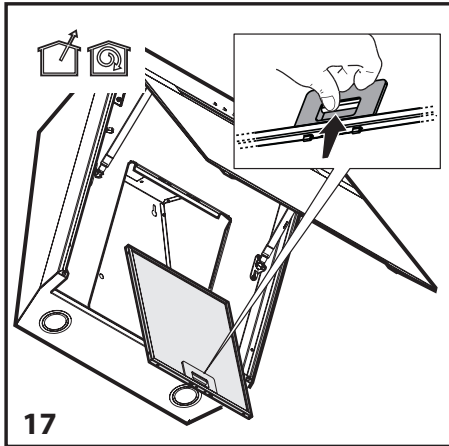
- Разположете един филтър в близост до защитните кухини за витлото на двигателя, и завъртете частта по часовниковата стрелка.
- Завъртете частта в обратна на часовниковата стрелка посока, за да я разглобите.

### 5.4 Филтър за мазнини

- Задържа частиците на мазнините при готвенето.
- Филтърът за мазнини трябва да се почиства ежемесечно (или при задействане на системата за индикация - ако е налична в закупения модел) на ръка или на ниска температура и кратка програма в съдомиялна машина като използвате некиселинен препарат за почистване.
- При миене в съдомиялна машина цветът на филтъра за мазнини може да избледнее, но това не оказва влияние върху качествата му.

## 5 Почистване и подръжка

- Издърпайте лоста за освобождаване на пружината, за да извадите филтъра за мазнини. (Фигура 17)



### 5.5 Почистване

- Не забравяйте да почистите абсорбатора незабавно след пържене.
- Използвайте мека кърпа натопена в течен препарат за почистване и избършете външната повърхност на абсорбатора.
- Никога не използвайте абразиви или надраскващи материали за почистване.
- Можете да използвате предлаганите в търговската мрежа препарати за почистване за отстраняване на упорити замърсявания като спазвате предупрежденията върху продукта. За да не надраскате корпуса от матирана стомана, го бършете в посоката на матиране.

- Не използвайте почистващи препаратите, съдържащи хидрохлорна киселина, белина или абразивни прахове, за да поддържате качеството на повърхността на продукта. Използвайте навлажнена в сапунена вода кърпа или специални почистващи спрейове за неръждаема стомана при почистване на стоманените повърхности. Отстранете защитното фолио от уреда.



**Внимание:** Възможно е да причините пожар, ако не спазвате инструкциите за почистване и смяна на филтрите на абсорбатора.



**Ако е необходимо да транспортирате уреда.**

Запазете оригиналната му опаковка. Транспортирайте уреда в оригиналната опаковка и следвайте транспортните й маркировки.

### Ако не разполагате с оригинална опаковка:

- Не поставяйте тежки предмети върху абсорбатора.
- Защитете външната повърхност от удари.
- Опаковайте продукта така, че да не бъде повреден при транспортирането.

### 5.6 Смяна на лампите



**ПРЕДУПРЕЖДЕНИЕ:** Преди да докоснете крушките, се уверете, че са изстинали.



Свържете се упълномощен сервизен агент за смяна на лампата.

## Nejprve si tento návod přečtěte!

Vážení zákazníci,

Děkujeme, že jste si vybrali produkt značky Beko. Doufáme, že s tímto produktem, který byl vyroben s využitím vysoce kvalitní a moderní technologie, dosáhnete těch nejlepších výsledků. Proto si před použitím produktu pečlivě přečtěte celý návod k použití a jakékoli doplňující dokumenty a uchovejte je pro budoucí použití. Pokud produkt předáte další osobě, rovněž jí předejte návod k použití. Dodržte veškerá varování a informace obsažené v návodu k použití.

Nezapomeňte, že tento návod se může vztahovat i k několika jiným modelům. Rozdíly mezi modely jsou v návodu výslovně popsány.

### Význam symbolů

V různých částech tohoto návodu k použití jsou použity následující symboly:



Důležité informace o užitečných tipech k použití.



**VAROVÁNÍ:** Upozornění na nebezpečné situace týkající se ohrožení života a majetku.



Varování na zásah elektrickým proudem.



Upozornění na horké povrchy.



Tento produkt byl vyroben v ekologicky šetrných a moderních zařízeních bez poškození přírody.



Tento oddíl obsahuje bezpečnostní pokyny, které pomohou s ochranou před zraněním osob nebo poškozením majetku. Nedodržení těchto pokynů zruší platnost záruky.

## 1.1 Obecné bezpečnostní pokyny

- Instalaci a opravy vždy svěřte pracovníkům autorizovaného servisu. Výrobce nenes zodpovědnost za škody, které mohou způsobit jím neautorizované osoby.
- Toto zařízení není určeno pro použití osobami (včetně dětí) s omezenými fyzickými, vjemovými nebo mentálními schopnostmi, nebo osobami, které nemají dostatek zkušeností, ani znalostí. Děti musí být pod dozorem, aby se zajistilo, že si se spotřebičem nebudou hrát.

### 1.1.1 Elektrická bezpečnost

- Během instalace, údržby, čištění a opravy vždy odpojte výrobek od sítě.
- Je-li napájecí kabel vadný, musí být vyměněn kvalifikovanou osobou certifikovanou výrobcem, poprodejním servisem apod. (nejlépe elektrikářem) nebo osobou určenou dovozcem.

- Provozní napětí je 220 až 240 voltů.
- Pokud dojde k poruše zařízení, nemělo by se používat, dokud je neopraví pracovník autorizovaného servisu. Existuje zde nebezpečí zásahu elektrickým proudem!
- Neved'te napájecí kabel v blízkosti varné desky. Napájecí kabel by se mohl vznítit, jelikož se snadno roztaví.
- Nikdy nezapojujte digestoř před dokončením instalace.
- Chcete-li dosáhnout optimálního výsledku, nesmí být vnější vývod delší než 4 m. Nesmí obsahovat více než 2 kolmé (90°) úhly a jeho průměr musí být nejméně  $\varnothing 120$  mm.
- Spotřebič odpojte od napájení před jakoukoli prací na vnitřních součástkách spotřebiče.
- Spotřebič zapojujte pouze do uzemněné zásuvky.

### 1.1.2 Bezpečnost výrobku

- Pro připojení odvodu digestoře můžete použít trubici o průměru 120 nebo 150 mm.

# 1 Důležité bezpečnostní pokyny a pokyny týkající se životního prostředí

- Nepoužívejte připojení k odvodu využívaná sporáky, odvětrací šachty nebo odvody se stoupajícími plameny. Dodržujte pravidla stanovená úřady pro odvod odpadního vzduchu.
- Vzdálenost mezi spodní plochou digestoře a horní plochou sporáku/trouby by neměla být menší než 50 cm v případě plynových hořáků a 45 cm v případě elektrických plotýnek.
- Nepoužívejte digestoř bez hliníkových filtrů a nedemontujte filtry za provozu.
- Nikdy se nedotýkejte světel digestoře po dlouhodobém použití. Horké žárovky vás mohou popálit.
- Vyvarujte se používání prudkých plamenů pod výrobkem. Jinak by se mohly částice na olejovém filtru vznítit a způsobit požár.
- Zapněte digestoř poté, co na sporák postavíte pánve či hrnce. Jinak by stoupající teplota mohla poškodit některé součásti vašeho výrobku.
- Digestoř vypněte, než pánve nebo hrnce odeberete.
- Pod digestoř neumísťujte hořlavé materiály.
- Olej se může vznítit během smažení. Dávejte pozor na používání hadříků a závěsů.
- Při smažení nikdy nenechávejte sporák bez dozoru; jinak může dojít ke vznícení horkého oleje.
- Abyste předešli riziku požáru, čistěte digestoř ve stanovených intervalech.
- Dávejte velký pozor a používejte rukavice při čištění digestoře.
- Doporučujeme vám zapnout spotřebič pár minut před začátkem vaření, čímž zvýšíte sací výkon. Jakmile začne stoupat pára, budete již mít k dispozici stálý a stabilní sací výkon.
- Digestoř nechte v provozu 15 minut po konci vaření nebo pečení, abyste odstranili zápach z vaření a z kuchyně.
- Když digestoř používáte, zejména společně s plynovými sporáky, zkontrolujte, zda je v místnosti zajištěno odvětrávání.
- Dávejte pozor, abyste nepřipojili spotřebič k odvodům používaným neelektrickými zařízeními. (Např.: odvod od topení).

- Současný a hladký provoz digestoře a dalšího zařízení, které využívá vzduch je možné pouze je-li dosaženo nízkého tlaku 4 Pa (0.04 mbar) a tak se zabrání opětovnému vstřebání plynu. Toho lze dosáhnout pouze pomocí vzduchu vycházejícího z nezakrytých otvorů (dveře, okno, větrací otvory nebo jiná technická opatření). Velkou péčí věnujte zajištění dostatečného průtoku vzduchu. K tomuto účelu nestačí průduch, který poskytuje průnik/východ vzduchu.
- **UPOZORNĚNÍ:** Dostupné části se mohou rozehrát při použití s vařícím zařízením.

## 1.2 Zamýšlené použití

### 1.1.3 Bezpečnost dětí

- Obalové materiály představují pro děti nebezpečí. Obalové materiály uchovejte ho mimo dosah dětí.
- Elektrické spotřebiče představují nebezpečí pro děti. Udržujte děti mimo dosah výrobku. Děti si nesmí se spotřebičem hrát.
- Tento spotřebič mohou použít děti starší 8 let a lidé s omezenými fyzickými, sensorickými nebo duševními schopnostmi nebo které nemají dostatečné znalosti a zkušenosti, pokud na ně a bezpečné použití produktu dospělá osoba nebo jsou-li poučeni o rizicích souvisejících s použitím produktu. Děti si nesmí se spotřebičem hrát.
- Výrobce nenes odpovědnost za žádné škody plynoucí z nesprávného použití či manipulace.
- Životnost vašeho spotřebiče činí 10 let. Jde o období nutné pro dostupnost náhradních dílů nutných pro provoz výrobku.
- **VAROVÁNÍ:** Neprovedení opravy šroubů v souladu s pokyny uvedenými v návodu mohou vést k úrazu elektrickým proudem.

## 1.3 Shoda s nařízením WEEE a likvidace produktu



Tento produkt splňuje směrnici EU WEEE (2012/19/EU). Tento výrobek je označen symbolem pro třídění elektrického a elektronického odpadu (WEEE).

Tento výrobek byl vyroben z vysoce kvalitních součástí a materiálů, které lze znovu použít a které jsou vhodné k recyklaci. Produkt na konci životnosti nevyhazujte do běžného domácího odpadu. Odveďte ho do sběrného místa pro recyklaci elektrických a elektronických zařízení. Umístění nejbližšího sběrného místa vám sdělí místní úřady.

## Dodržování směrnice RoHS:

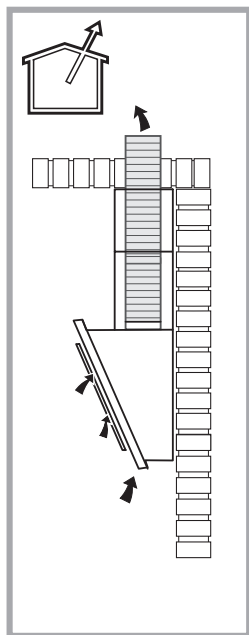
Produkt, který jste zakoupili splňuje směrnici EU RoHS (2011/65/EU). Neobsahuje škodlivé ani zakázané materiály specifikované ve směrnici.

## 1.4 Informace o balení

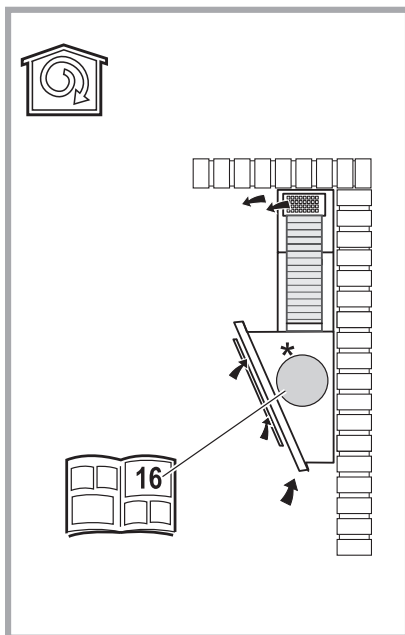


Balení produktu je vyrobeno z recyklovatelných materiálů, v souladu s naší národní legislativou. Obalové materiály nelikvidujte s domácím nebo jiným druhem odpadu. Odveďte je na sběrné místo balícího materiálu, které má pověření místních orgánů.

## 2 Technické parametry spotřebiče



Použití s kouřovodem



Použití s filtrem s aktivním uhlím

Značení na výrobku nebo hodnoty uvedené v jiných dokumentech dodávaných s výrobkem jsou hodnoty, které byly dosaženy v laboratorních podmínkách v souladu s příslušnými normami. Tyto hodnoty se mohou lišit podle podmínek používání.

## 3 Instalace spotřebiče

Instalaci digestoře svěřte nejbližšímu Autorizovanému servisu.

\*Za přípravu místa a elektroinstalaci pro výrobek nese odpovědnost zákazník.



**VAROVÁNÍ:** Sejměte ochrannou fólii (pokud nějaká existuje) z digestoře a otřete povrch.

Výška mezi nižším povrchem digestoře a horním povrchem trouby/sporáku nesmí být menší než 50 cm u plynových hořáků a 45 cm u elektrických plotýnek.

Elektroinstalaci pověřte kvalifikovaného elektrikáře.

Produkt nainstalujte tak, abyste po instalaci snadno dosáhli na připojení napájení (zástrčka, zásuvka).

Rozměry jsou uvedeny v mm.

### 3.1. Napájecí konektor

- Napájecí napětí musí odpovídat hodnotám na štítku, který je umístěn v digestoři. Digestoř zapojte do zásuvky, která je v souladu s aktuálními směrnicemi, využijte zástrčku, kterou umístíte do dostupné oblasti. Po instalaci; pokud zařízení nemá zástrčku (přímé zapojení do napájení) nebo je-li zástrčka mimo dosah, použijte dvoupólový spínač, který odpovídá standardům a který umožní odpojení napájení za okolností souvisejících s kategorií přepětí III.



**VAROVÁNÍ:** Před opětovným zapojením digestoře ke zdroji napájení a kontrolou, zda funguje správně, se ujistěte, zda je napájecí kabel řádně zapojen.

- Digestoř je vybavena speciálním napájecím kabelem. Je-li napájecí kabel poškozený, kontaktujte zástupce autorizovaného servisu.

## 3.2. Instalace

### 3.2.1 Než instalaci spustíte:

- Zkontrolujte, zda má zakoupený produkt vhodnou velikost pro místo instalace.
- V případě, že je filtr s aktivním uhlím (\*) součástí balení (viz příslušný odstavec), vyjměte ho. Ten bude instalován pouze pokud chcete digestoř používat jako filtrovaný model.
- Zkontrolujte, zda se s digestoři dodává jiný materiál (např. balení šroubů (\*), záruční list (\*), atd.), a je-li k přibalený, vyjměte ho a uložte na jiné místo.
- Je-li to možné, vyjměte volně stojící nebo posuvný kolík a posuňte ho tak, abyste na zadní stěnu/strop snadno dosáhli. Není-li to možné, zakryjte varnou desku nebo troubu ochrannou látkou, abyste je tak ochránili před poškozením a nečistotami. Pro instalaci spotřebiče vyberte rovný povrch. Povrch zakryjte látkou a na ni položte všechny části digestoře a nařadí k montáži.
- Kromě toho zkontrolujte, zda je v místě montáže digestoře k dispozici zástrčka (po stranách oblasti pro montáž digestoře) a zkontrolujte, zda je možné zapojení digestoře ven (pouze u modelu s nasáváním).
- Dokončete všechny činnosti související se stěnou (např. zapojení zástrčky a/nebo otevření otvoru pro vypouštěcí hadici).

Široké hmoždinky slouží k upevnění digestoře na různé množství typů/stropů. Kromě toho musí kvalifikovaný technik potvrdit typ materiálu stěny/stropu. Stěna/strop musí udržet zavěšenou digestoř. Spotřebič nemontujte na dlaždicové, obložené nebo silikonové povrchy. Montáž proveďte pouze na stěnu.

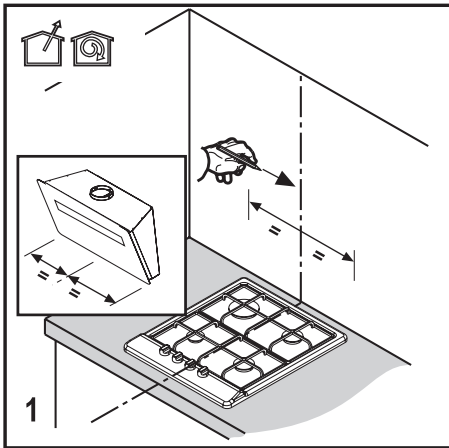
V případě existence panelu a/nebo boční stěny a/nebo nábytku zkontrolujte, zda máte dostatek místa pro montáž digestoře a že ovládací panel bude snadno dostupný.

## 3 Instalace spotřebiče

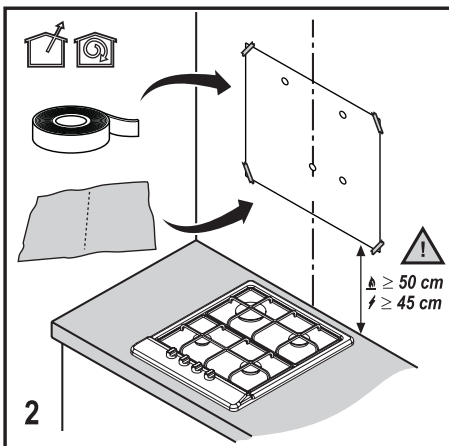
### 3.2.2 Příprava montáže digestoře na stěnu

Informace nutné pro přípravu místa instalace vaší digestoře jsou uvedeny níže.

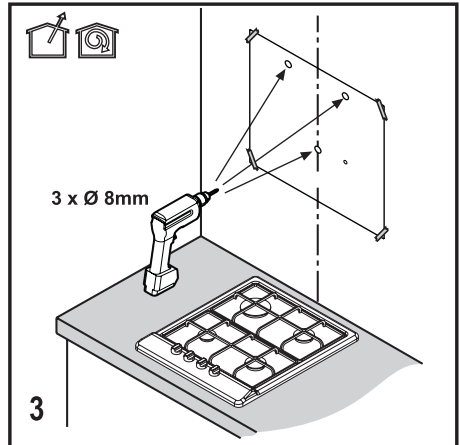
1. Označte místo, kde bude provedena montáž. (Obr. 1)



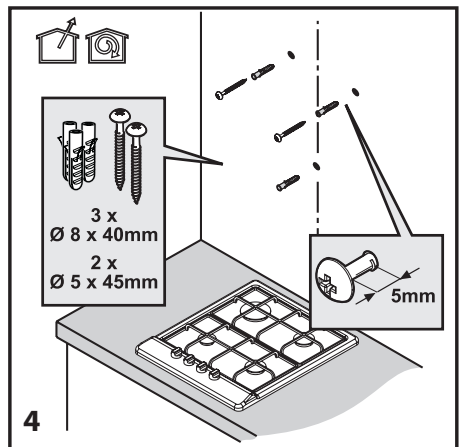
2. Upevněte šablonu pro montáž na místo pro instalaci digestoře. (Obr. 2)



3. Vrtákem o průměru  $\varnothing 8$  mm vyvrtejte otvory na označených místech. (Obr. 3)



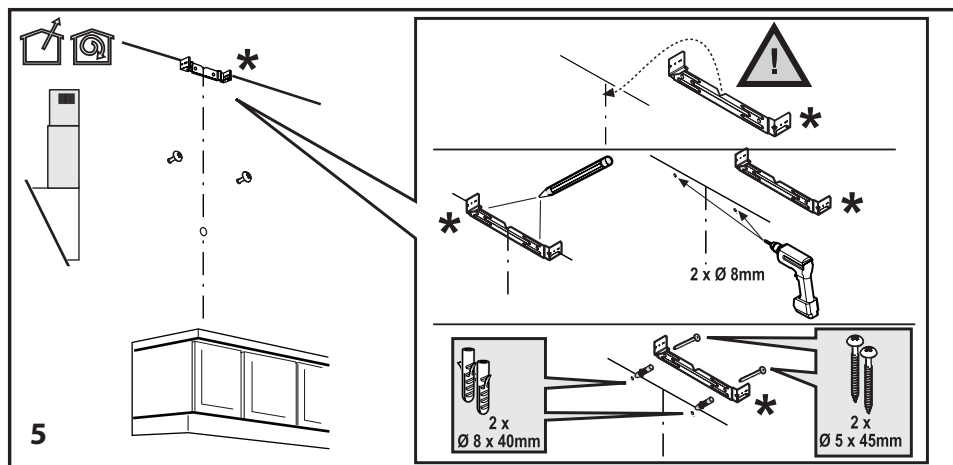
4. Do vyvrtaných otvorů zatlučte kladivem 3 hmoždinky o průměru  $\varnothing 8 \times 40$ . Do zatlučených hmoždinek zašroubujte 2 ks závěsných šroubů o průměru  $\varnothing 5 \times 45$  mm. Mezi hlavou šroubu a stěnou musí být mezera 5 mm. (Obr. 4)



## 3 Instalace spotřebiče

### 3.2.3 Montáž komínu digestoře

Vrtákem o průměru  $\text{Ø}8$  mm vyvrtejte otvory na vyznačených bodech, abyste mohli připevnit desku komínu. Do vyvrтанých otvorů zatlučte kladivem 2 hmoždinky o průměru  $\text{Ø} 8 \times 40$  mm. Do zatlučených hmoždinek zašroubujte 2 ks závěsných šroubů o průměru  $\text{Ø} 5 \times 45$  mm. **(Obr. 5)**

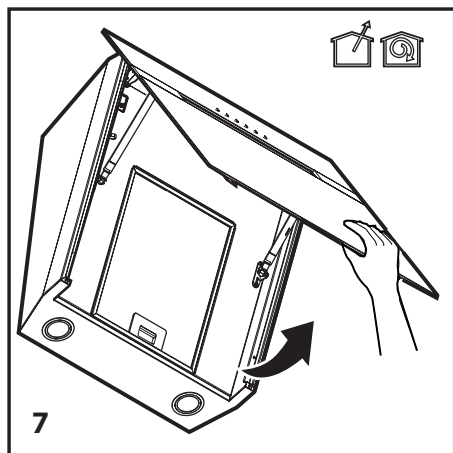




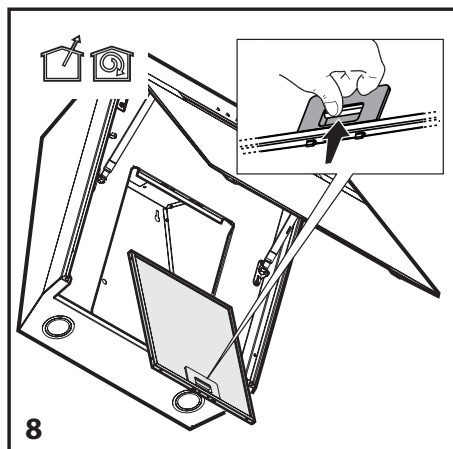
## 3 Instalace spotřebiče

### 3.2.4 Montáž digestoře na stěnu

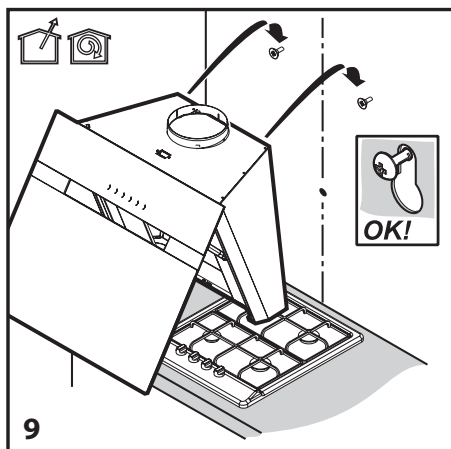
1. Sejměte přední panel a digestoř připevněte na stěnu. **(Obr. 7)**



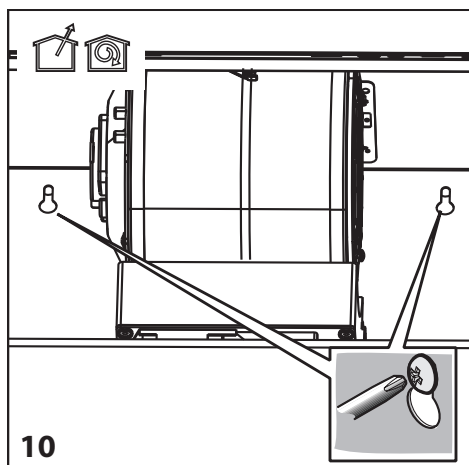
2. Vyměňte filtry. **(Obr. 8)**



3. Digestoř umístěte tak, aby šrouby odpovídaly hlavám šroubů. **(Obr. 9)**

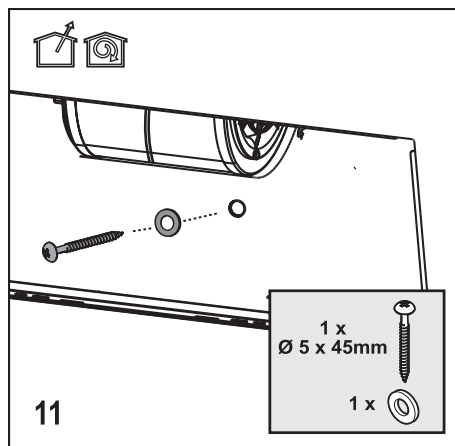


4. Utáhněte šrouby a současně i digestoř. **(Obr. 10)**

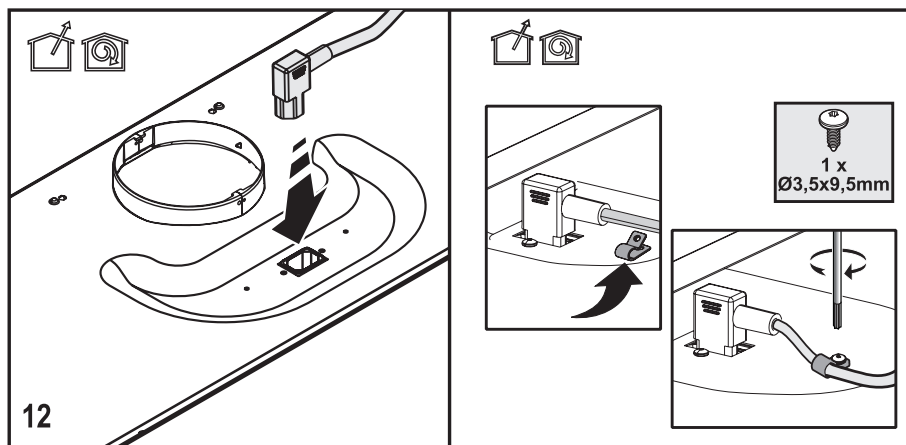


### 3 Instalace spotřebiče

5. K utažení digestoře použijte podložky a utáhněte ji šrouby o průměru  $\text{\O}5 \times 45$ .  
**(Obr. 11)**

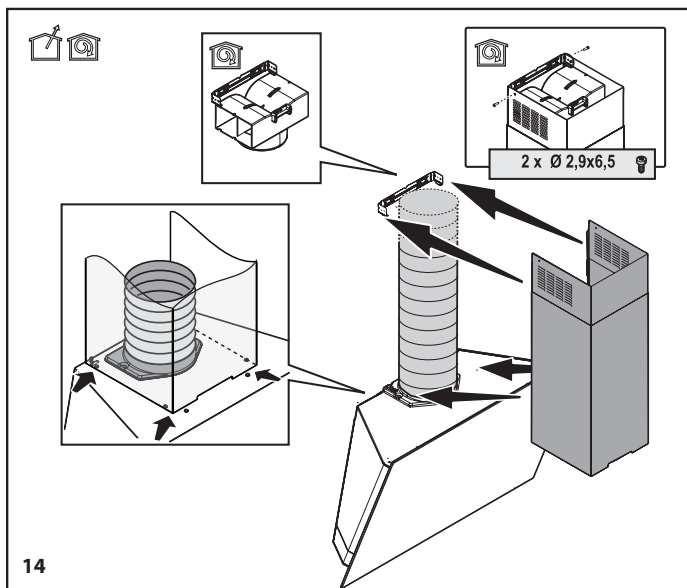
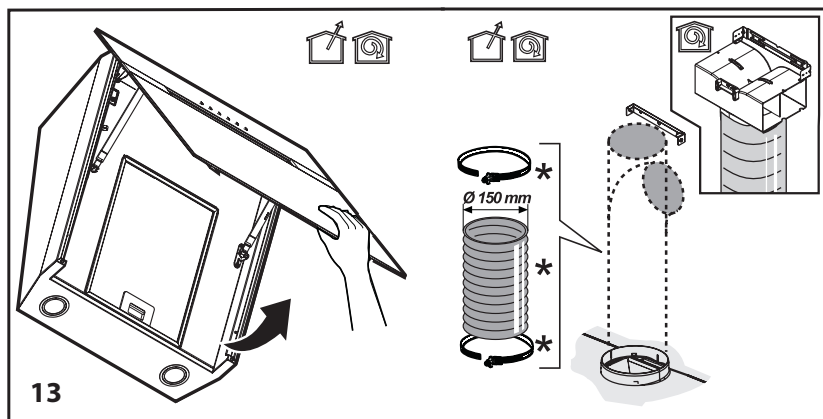


6. Zapojte napájecí kabel. K utažení kabelu použijte šroub o průměru  $\text{\O}3,5 \times 9,5$ . **(Obr. 12)**



### 3 Instalace spotřebiče

7. Zapojení komína proved'te podle obrázků.  
(Obr. 13, 14)

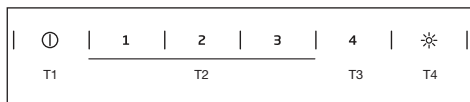


## 4 Provoz spotřebiče

### 4.1 Provoz

- Pokud se v kuchyni utváří nadměrné množství výparů, použijte vysoký sací výkon. Odsávání se doporučuje spustit 5 minut před zahájením vaření a ponechat 15 minut po dokončení vaření.

### 4.2 Ovládání úrovní



- T1.** Tlačítko Zap./Vyp. Je-li spotřebič VYP, zapněte ho. Je-li na spotřebiči spuštěná jakákoliv úroveň rychlosti, vypněte ji.
- T2.** Ovládá spotřebič při úrovních rychlosti 1, 2 a 3.  
Ovládá spotřebič při úrovni rychlosti 1. Svítí LED 1.  
Ovládá spotřebič při úrovni rychlosti 2. Svítí LED 2.  
Ovládá spotřebič při úrovni rychlosti 3. Svítí LED 3.
- T3.** Spotřebič spusťte při úrovni rychlosti 4 na dobu 5 minut. Zatímco je spotřebič puštěný na některé z úrovní (1, 2, 3), pokud dojde k stisknutí tohoto tlačítka, potom se rozsvítí LED aktuální rychlosti a LED úrovně rychlosti 4 se rozblíká. Na konci 5 minut se LED úrovně rychlosti 4 vypne a produkt ukončí režim maximální rychlosti. Je-li klávesa úrovně 4 stisknuta 5 minut před koncem, produkt ukončí režim maximální rychlosti.
- T4.** Klávesa zap./vyp. světla Krátkým stisknutím tlačítka zapnete/vypnete osvětlení. Stiskněte a podržte déle než 1 sekundu a vyberte jeden z 5 úrovní jasu.

### 4.3 Alarm - mastnota na filtru

Blikající LED 1 upozorňuje uživatele na vyčištění kovového filtru. Když se spustí tento alarm, je čas vyčistit mastnotu z filtru. Stiskněte a podržte tlačítko ZAP./VYP. po dobu 3 sekund a restartuje varování zatímco je produkt spuštěný. LED 1 přestane blikat.

### 4.4 Alarm - filtr s aktivním uhlím

Produkt se dodává s deaktivovaným alarmem, který se týká filtru s aktivním uhlím. Klávesy 1 a 2 stiskněte a podržte po dobu 3 sekund a aktivujte upozornění na vyčištění filtru s aktivním uhlím, produkt je mezitím vypnutý. Nejprve se rozsvítí LED 1, potom LED 1 a 2, které značí, zda je varování aktivované. Stiskněte a podržte klávesy 1 a 2 po dobu 3 sekund a deaktivujte varování, produkt je mezitím vypnutý. Nejprve se rozsvítí LED 1 a LED 2, potom LED 1, které značí, zda je varování aktivované.

Blikající LED 2 upozorňuje uživatele na vyčištění filtru s aktivním uhlím. Stiskněte a podržte tlačítko ZAP./VYP. po dobu 3 sekund a restartuje varování zatímco je produkt spuštěný.



Pokud se upozornění na kovový filtr a filtr s aktivním uhlím aktivují současně, je třeba provést samostatné restartování každého varování.

### 4.5 Úsporné používání:

- Při používání digestoře upravte rychlost podle intenzity zápachu a páry, abyste předešli zbytečné spotřebě energie.
- Používejte nízkou rychlost v běžných podmínkách (1-2), vysokou rychlost (3-4) při intenzivním zápachu a páře.
- Světla na digestoři mají za cíl osvětlit varnou oblast. Pokud je budete používat k osvětlení okolí/kuchyně, dojde ke zbytečnému nárůstu spotřeby energie a nevhodnému osvětlení.

### 5.1 Čištění

- Před čištěním a údržbou odpojte spotřebič nebo vypněte hlavní spínač nebo povolte pojistku pro digestoř.
- Digestoř nad vařičem musí být čištěna pravidelně (minimálně se stejnou frekvencí, s níž provádíte údržbu tukových filtrů), jak zvenku, tak zevnitř.
- Digestoř vyčistěte čistým hadříkem navlhčeným ve směsi teplé vody a neutrálního čisticího přípravku.
- Nepoužívejte abrazivní mycí prostředky. **NEPOUŽÍVEJTE ALKOHOLO!**



**VAROVÁNÍ:** Nedodržení základních požadavků na čištění digestoře a výměnu filtrů může představovat nebezpečí vzniku požáru.

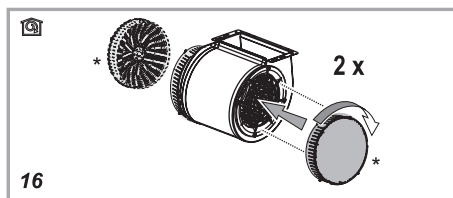
- Z tohoto důvodu vám doporučujeme, abyste postupovali dle uvedených pokynů.
- Výrobce nenes zodpovědnost za poškození motoru a způsobené nevhodnou údržbou nebo nedodržěním výše uvedených bezpečnostních opatření.

### 5.2 Čištění skleněného panelu

- Skleněný panel a sací povrchy musí být čištěny ve stejném intervalu jako filtry.
- K čištění použijte navlhčený hadřík a neutrální čisticí prostředek.
- Vyhněte se použití abrazivních produktů. **NEČIŠTĚTE ALKOHOLEM!**

### 5.3 Filtr s aktivním uhlím (pouze modely s filtrem)

- Po dlouhodobém používání se může filtr s aktivním uhlím zanést, v závislosti na typu vaření a pravidelnosti čištění olejového filtru.
- Náplň musí být vyměněna každé čtyři měsíce (nebo když kontrolka plnosti filtru značí, že filtr je třeba vyměnit - je-li součástí modelu). **(Obr. 16)**
- Filtr s aktivním uhlím nelze mýt a znovu používat.



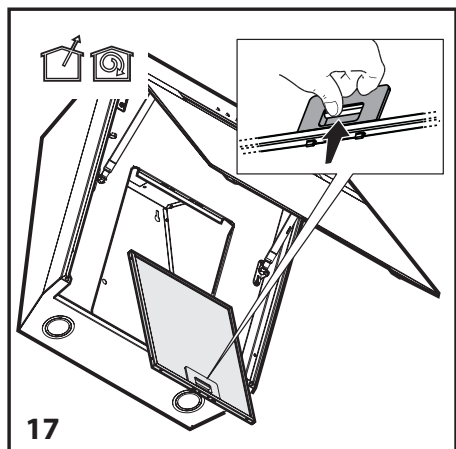
### Kruhový filtr s aktivním uhlím

- Jeden filtr umístěte vedle ochranných klecí chrániče motoru, potom část otočte ve směru hodinových ručiček.
- Při demontáži část otočte proti směru hodinových ručiček.

### 5.4 Filtr mastnoty

- Uchová částečky mastnoty vzniklé během vaření.
- Filtr mastnoty se musí čistit měsíčně (nebo filtrační systém s kontrolkou plnosti - je-li u zakoupeného modelu k dispozici) pomocí čisticího prostředku bez kyselin ručně, nebo v myčce - při nízké teplotě a na krátký program.
- Při mytí v myčce se může barva filtru lehce změnit, ale to neovlivňuje jeho filtrační kapacitu.
- Pro vyjmutí filtru stlačte uvolňovací páčku. **(Obr. 17)**

## 5 Čištění a údržba



### 5.5 Čištění

- Nezanedbávejte čištění digestoře bezprostředně po smažení.
- K čištění vnějšího povrchu digestoře použijte měkký hadřík navlhčený v kapalném saponátu.
- K čištění nikdy nepoužívejte brusné ani hrubé materiály.
- Můžete používat čisticí prostředky běžně dostupné na odolnou mastnotu atd., pokud dodržíte pokyny a varování na výrobku. Abyste nepoškrábali trup z broušené oceli, otírejte ve stejném směru.
- Nepoužívejte čisticí prostředky s kyselinou uhlovodíkovou, škrob nebo brusný prášek, abyste zachovali kvalitu povrchu výrobku. Používejte hadřík navlhčený v mýdlovém roztoku nebo speciální čisticí sprej na nerezavějící ocel. Sejměte ochrannou fólii ze spotřebiče.



**Upozornění:** Pokud nedodržíte pokyny týkající se čištění a výměny filtrů digestoře, můžete způsobit požár.



#### **Pokud musíte spotřebič přemístit:**

Uskladněte si originální balení spotřebiče. Spotřebič přepravujte v původním obalu a dodržujte značení pro přepravu na původním obalu.

#### **Pokud nemáte původní obal:**

- Na digestoř neumisťujte těžké předměty.
- Ochraňte vnější plochu před nárazy.
- Zabalte spotřebič tak, aby se během přepravy nepoškodil.

### 5.6 Výměna žárovek



**VAROVÁNÍ:** Než se dotknete žárovek, ujistěte se, že vychladly.



Ohledně výměny žárovek kontaktujte zástupce autorizovaného servisu.

## Lees deze handleiding eerst!

Beste klant,

Dank u voor het kiezen van een product van Beko. We hopen dat u het beste haalt uit uw product, dat vervaardigd is met de modernste technologie van hoge kwaliteit. Lees daarom deze gebruikershandleiding en andere bijgeleverde documenten volledig en zorgvuldig door voordat u het product gaat gebruiken en bewaar deze ter referentie in de toekomst. Als u het product aan iemand anders geeft, overhandig dan ook de gebruikershandleiding. Volg alle waarschuwingen en informatie in de gebruikershandleiding op.

Onthoud dat deze gebruikershandleiding ook van toepassing is op verschillende andere modellen. De verschillen tussen de modellen worden in de handleiding uitdrukkelijk omschreven.

### Betekenis van de symbolen

De volgende symbolen worden gebruikt in de verschillende delen van deze handleiding:



Belangrijke informatie en nuttige aanwijzingen voor gebruik.



**WAARSCHUWING:** Waarschuwingen voor levensgevaarlijke situaties en schade aan eigendom.



Gevaar voor elektrische schok.



Waarschuwing voor hete oppervlakken.



Dit product is in een milieuvriendelijke, moderne faciliteit geproduceerd zonder het milieu op geen enkele manier te schaden.

Dit deel bevat veiligheidsinstructies die u beschermen tegen het risico op persoonlijk letsel of schade aan eigendommen. Het niet naleven van deze instructies laten de garantie vervallen.

## 1.1 Algemene veiligheid

- Laat de installatie- en reparatiewerkzaamheden altijd uitvoeren door een erkende serviceagent. De fabrikant kan niet aansprakelijk worden gehouden voor schade die voortkomt uit werkzaamheden die door niet-erkende personen zijn uitgevoerd.
- Dit toestel is niet bedoeld voor gebruik door personen (waaronder kinderen) met beperkte fysieke, zintuiglijke of mentale capaciteiten of met een gebrek aan ervaring en kennis. Kinderen moeten onder toezicht staan om ervoor te zorgen dat ze niet spelen met het apparaat.
- Als de stroomkabel defect is, moet deze worden vervangen door een door de fabrikant erkend persoon, een after-salesservice of een gelijkwaardig gekwalificeerd persoon (bij voorkeur een electricien) of een door de importeur aangewezen persoon.
- Werkingsstroom is tussen de 220 en 240 volt.
- Als het apparaat een storing vertoont, moet er niet mee gewerkt worden voordat het is gerepareerd door de erkende serviceagent. Er bestaat een risico op elektrische schok!
- Leg geen stroomkabels dichtbij fornuizen. Anders kan de stroomkabel smelten en in brand vliegen.
- Sluit de afzuigkap nooit aan op de stroom voordat de installatie voltooid is.
- Om de beste resultaten te verkrijgen moet de externe conductor niet langer zijn van 4 m. Deze mag niet meer dan 2 loodrechte (90°) hoeken hebben en de diameter moet min.  $\varnothing 120$  mm zijn.

### 1.1.1 Elektrische veiligheid

- Sluit het product af van de stroom tijdens installatie-, onderhouds-, reinigings- en reparatiewerkzaamheden.



- Sluit het apparaat af van het stroomnet voordat enige werkzaamheden aan de interne onderdelen van het apparaat worden uitgevoerd.
- Gebruik het apparaat uitsluitend met een geaard stopcontact.
- Raak de lamp van de afzuigkap nooit aan nadat deze lang heeft aangestaan. Hete lampen kunnen uw handen verbranden.
- Voorkom grote vlammen onder het product. Anders kunnen deeltjes op het vetfilter ontsteken en tot brand leiden.

## 1.1.2 Productveiligheid

- U kunt een pijp met een diameter van 120 mm of 150 mm gebruiken voor de aansluiting van de afzuigkap op het rookkanaal.
- Sluit het niet aan op rookkanalen die zijn aangesloten op kachels, uitlaatschachten of rookkanalen met opgaande vlammen. Raadpleeg de regelgeving van de gemeente voor de afvoer van uitlaatgas.
- De hoogte tussen het laagste oppervlak van de afzuigkap en het bovenste oppervlak van het fornuis/de oven mag voor gasfornuizen niet minder zijn dan 50 cm en voor elektrische kookplaten niet minder zijn van 45 cm.
- Laat de afzuigkap niet functioneren zonder aluminium filters en verwijder de filters niet tijdens de werking.
- Zet de kookplaat aan nadat er pannen zijn opgezet. Anders kan de opkomende temperatuur bepaalde delen van uw product misvormen.
- Zet de kookplaat uit voordat u de pannen ervan af neemt.
- Vermijd ontvlambare materialen onder de afzuigkap.
- Olie kan ontvlammen bij het frituren van voedsel. Wees daarom voorzichtig met doeken en gordijnen.
- Laat de frituurpan bij het frituren nooit onbeheerd achter; anders kan hete olie in brand vliegen.
- Er bestaat een risico op brand als uw afzuigkap niet binnen de aangegeven perioden wordt gereinigd.
- Wees uitermate voorzichtig en draag handschoenen bij het reinigen van de afzuigkap.

- We adviseren u het apparaat een paar minuten voordat u gaat koken aanzet om het afzuigvermogen te vermeerderen. Zo heeft u een voortdurend en stabiel afzuigvermogen als de dampen opstijgen.
- Laat uw afzuigkap na de beëindiging van het koken of bakken gedurende 15 minuten doorwerken om alle geuren en kookdampen in de keuken te verwijderen.
- Zorg in het bijzonder in combinatie met gasfornuizen dat als de afzuigkap in gebruik is de ruimte geventileerd wordt met schone lucht.
- Zorg dat het apparaat niet wordt aangesloten op het rookkanaal dat wordt gebruikt door niet-elektrische apparaten. (bijv.: rookkanaal voor kachel).
- Een gelijktijdige goede werking van de afzuigkap met een ander apparaat dat lucht nodig heeft is alleen mogelijk als de lage druk van 4 Pa (0,04 mbar) wordt bereikt en zo de heropname van gas wordt voorkomen.

Dit kan alleen worden bereikt door lucht die uit onafgesloten openingen komt (deur, raam, ventilatieopeningen of andere technische maatregelen). Zorg nauwlettend op voldoende aanvoer van lucht. Een rookkanaal dat zorgt voor in- en uitgaande lucht is in dit geval niet voldoende.

## 1.1.3 Kinderveiligheid

- Verpakkingsmateriaal is gevaarlijk voor kinderen. Houd verpakkingsmateriaal op een veilige plek buiten het bereik van kinderen.
- Elektrische apparaten zijn gevaarlijk voor kinderen. Houd kinderen buiten bereik van het product. Laat kinderen niet met het apparaat spelen.
- Dit apparaat kan gebruikt worden door kinderen vanaf 8 jaar en ouder en personen met verminderd lichamelijk, zintuiglijk of geestelijk vermogen of gebrek aan ervaring en kennis, zolang dat gebeurt onder toezicht of ze instructies hebben ontvangen over het veilige gebruik van het apparaat en van de betrokken risico's op de hoogte zijn. Kinderen mogen niet met het apparaat spelen.

- **LET OP:** Tijdens het gebruik van een kooktoestel kunnen toegankelijke delen heet worden.

## 1.2 Bedoeld gebruik

- Dit apparaat is bedoeld voor huishoudelijk gebruik. Het is niet geschikt voor commercieel gebruik en moet niet anders worden gebruikt dan waarvoor het is bedoeld.
- De producent is niet aansprakelijk voor schade als gevolg van onjuist gebruik of hantering.
- De levensduur van uw apparaat is 10 jaar. Dit is de vereiste periode voor beschikbaarheid van onderdelen voor het juist functioneren van het product.
- **WAARSCHUWING:** Het niet opvolgen van de in deze handleiding meegeleverde instructies over het bevestigen van de schroeven kan leiden tot gevaar met elektriciteit.

## 1.3 Naleving met de WEEE-norm en verwerking van afvalproducten



Dit product voldoet aan de WEEE-norm van de EU (2012/19/EU). Dit product is voorzien van een classificatiesymbool voor verwerking van elektrische en elektronische apparatuur (WEEE).

Dit product werd van hoogwaardige materialen en onderdelen gemaakt die hergebruikt en gerecycled kunnen worden. Het product mag daarom aan het einde van zijn levensduur niet met het normaal huishoudelijk afval worden meegegeven. Breng het naar een inzamelpunt voor de recycling van elektrische en elektronische apparatuur. Raadpleeg uw gemeente om te weten waar zich het dichtstbijzijnde verzamelpunt bevindt.

## Naleving van RoHS-norm:

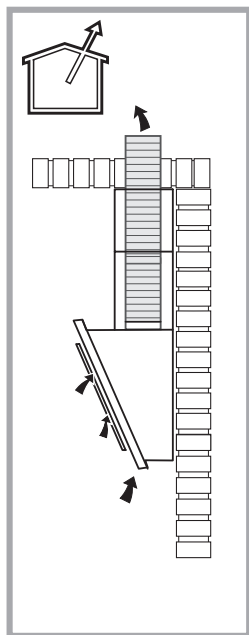
Het door u aangekochte product voldoet aan de RoHS-norm van de EU (2011/65/EU). Het bevat geen schadelijke en verboden materialen die in de norm worden genoemd.

## 1.4 Pakketinformatie

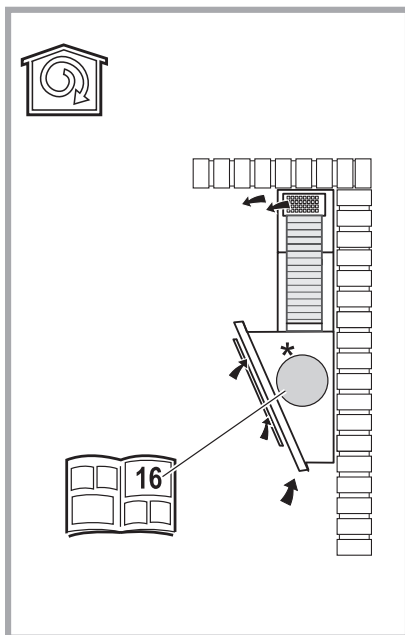


Het verpakkingsmateriaal van het product is vervaardigd uit gerecyclede materialen overeenkomstig onze nationale regelgeving. Gooi het verpakkingsmateriaal niet weg met het huishoudelijk of ander afval. Breng het naar een door de gemeente aangewezen verzamelpunt voor verpakkingsmateriaal.

## 2 Technische specificaties van uw product



Gebruik met rookkanaal



Gebruik met koolstoffilter

Markeringen op het product of de waarden in andere documenten die bij het product worden geleverd, zijn waarden die zijn verkregen onder laboratoriumomstandigheden, volgens de relevante normen. Deze waarden kunnen variëren afhankelijk van de werk- en milieuomstandigheden van het product.

## 3 Uw apparaat installeren

Raadpleeg de dichtstbijzijnde erkende serviceagent voor de installatie van uw afzuigkap.

\*De voorbereiding van de locatie en de elektrische installatie van het product valt onder de verantwoordelijkheid van de klant.



**WAARSCHUWING:** Verwijder de beschermfolie (indien aanwezig) na de installatie van afzuigkap en rookkanaal.

De hoogte tussen het laagste oppervlak van de afzuigkap en het bovenste oppervlak van het fornuis/de oven mag voor gasfornuizen niet minder zijn dan 50 cm en voor elektrische kookplaten niet minder zijn van 45 cm.

Laat een erkende elektricien de elektrische aansluiting verzorgen.

Installeer uw apparaat dusdanig dat u de stroomaansluiting (stekker, stopcontact) na de installatie makkelijk kunt bereiken.

Afmetingen zijn gegeven in mm.

### 3.1. Stroomaansluiting

- Uw netstroom moet overeenkomen met de waarden die u aantreft op het typeplaatje binnenin de afzuigkap. Sluit de afzuigkap met een stekker aan op een stopcontact dat voldoet aan de huidige regelgeving en plaats het op een toegankelijke plek. Na de installatie; als het apparaat geen stekker heeft (rechtstreekse aansluiting voor netstroom) of als de stekker niet ver genoeg reikt, gebruikt u een tweepolige schakelaar die voldoet aan de norm en die het afsluiten van de stekker van de netstroom mogelijk maakt in het geval er overbelasting van categorie III plaatsheeft.



**WAARSCHUWING:** Zorg dat voordat u de afzuigkap weer aansluit op de stroom en controleert of de functies juist werken, de stroomkabel juist is aangesloten.

- De afzuigkap is uitgevoerd met een speciale stroomkabel. Neem contact op met de erkende serviceagent als de stroomkabel beschadigd is.

### 3.2. Installatie

#### 3.2.1 Voordat u met de installatie begint:

- Controleer of het aangekochte product het geschikte formaat heeft voor de plek van installatie.
- Verwijder het actieve koolstof(\*)filter, indien meegeleverd (zie ook de betreffende paragraaf). Deze/die wordt/worden alleen geïnstalleerd als u de afzuigkap als model met filter wilt gebruiken.
- Kijk of er zich op de afzuigkap enig meegeleverd materiaal (zoals schroevenpakket (\*), garantiekaart (\*) enz.) bevindt. Zo ja, verwijder het en bewaar het op een andere plaats.
- Schuif indien mogelijk een vrijstaand of verschuifbaar fornuis opzij om makkelijk bij de achterwand / het plafond te komen. Als dit niet mogelijk is, dek het werkblad, fornuis of oven dan af met een dikke beschermende doek om te zorgen dat het niet kan beschadigen of vuil kan worden. Kies een vlak oppervlak om het apparaat te installeren. Dek het oppervlak af met een beschermende doek en plaats hierop alle beschermde onderdelen van de afzuigkap en het gereedschap.
- Controleer daarnaast of er in de buurt van de afzuigkap een stekker beschikbaar is (let wel dat deze plek toegankelijke is na de plaatsing van de afzuigkap) en controleer of the afzuigkap mogelijk op een buitenafvoer kan worden aangesloten (alleen voor het model met afzuiging).

## 3 Uw apparaat installeren

- Voltooi alle nodige werkzaamheden met betrekking tot de wand (bijv. het insteken van de stroomstekker en/of een gat maken voor de afvoerslang).

Er zijn verschillende verbindingsbussen beschikbaar om de afzuigkap op diverse typen wanden/plafonds te bevestigen. Bovendien moet de geschiktheid van het materiaal voor het type wand/plafond worden bevestigd door een erkende monteur. Wand/plafond moet de afzuigkap kunnen dragen. Bevestig het apparaat niet op tegels, pleisterwerk of siliconen oppervlakken. Bevestig het uitsluitend op een wand.

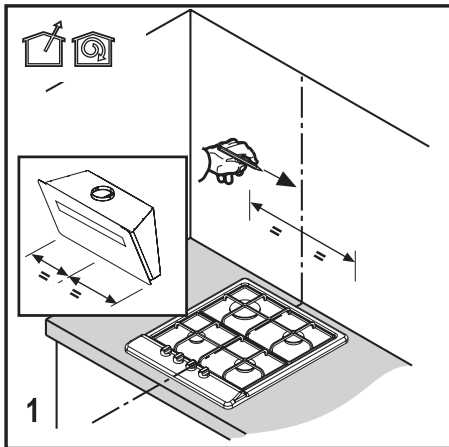
Als er sprake is van een paneel en/of zijwand en/of meubel, controleer dan of er voldoende ruimte is voor de plaatsing van de afzuigkap en dat het bedieningspaneel makkelijk toegankelijk is.

## 3 Uw apparaat installeren

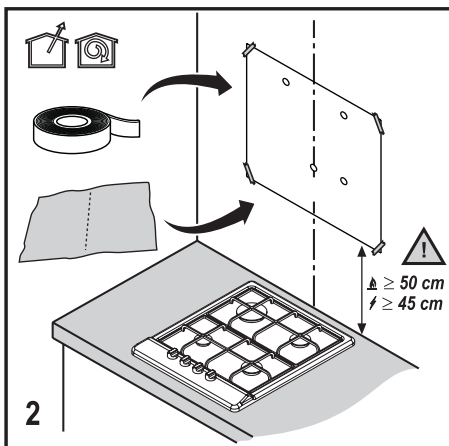
### 3.2.2 Voorbereiding op de montage van de afzuigkap op de wand

De benodigde informatie voor de voorbereiding van de plaats van installatie voor uw afzuigkap vindt u hieronder.

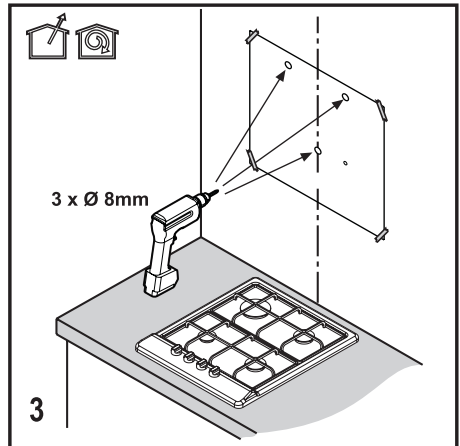
1. Markeer het oppervlak waar het montagesjabloon wordt opgehangen. **(Afbeelding 1)**



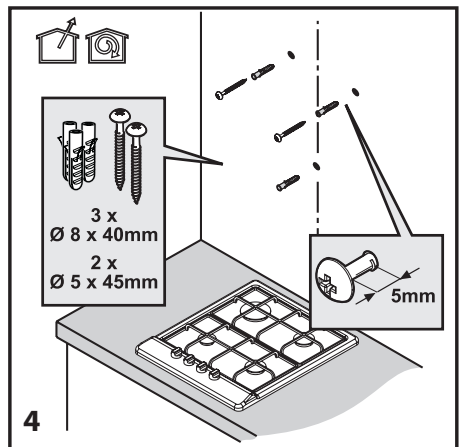
2. Plaats het installatiesjabloon op de plek van installatie van de afzuigkap. **(Afbeelding 2)**



3. Boor een gat van  $\varnothing 8$  mm op de gemarkeerde punten. **(Afbeelding 3)**



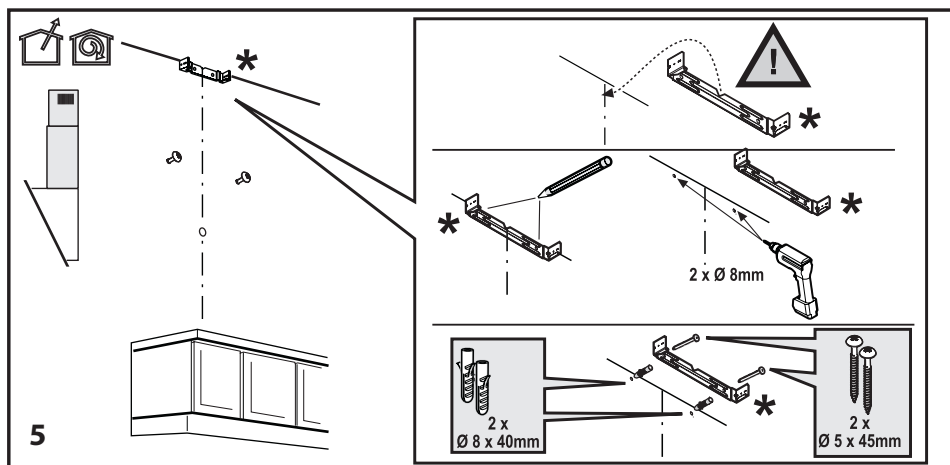
4. Sla 3 pluggen van  $\varnothing 8 \times 40$  mm in de geboorde gaten. Schroef 2 ophangschroeven van  $\varnothing 5 \times 45$  mm in de pluggen die in de gaten zijn geslagen. Er moet een afstand van 5 mm zijn tussen de schroefkop en de wand. **(Afbeelding 4)**



## 3 Uw apparaat installeren

### 3.2.3 Montage van het rookkanaal van de afzuigkap

Boor gaten op de gemarkeerde punten met een boor van  $\varnothing 8$  mm om de plaat van het rookkanaal te bevestigen. Sla 2 pluggen van  $\varnothing 8 \times 40$  mm in de geboorde gaten. Schroef 2 ophangschroeven van  $\varnothing 5 \times 45$  mm in de pluggen die in de gaten zijn geslagen. **(Afbeelding 5)**

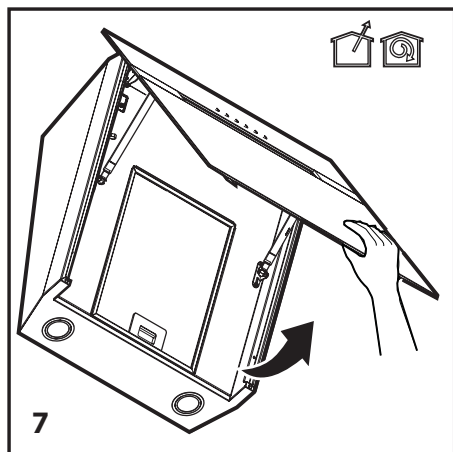




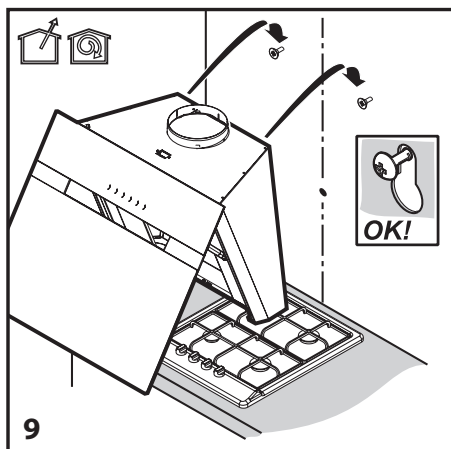
## 3 Uw apparaat installeren

### 3.2.4 Montage van de afzuigkap op de wand

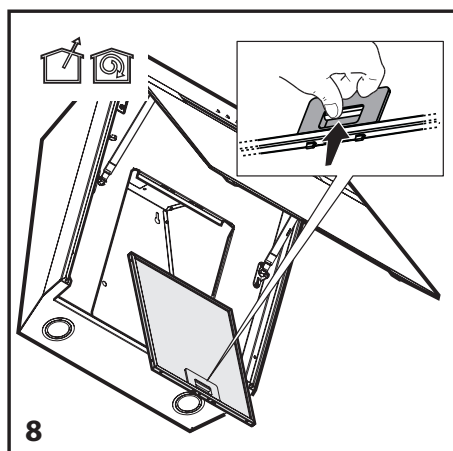
1. Verwijder het voorpaneel om de afzuigkap aan de wand te bevestigen. **(Afbeelding 7)**



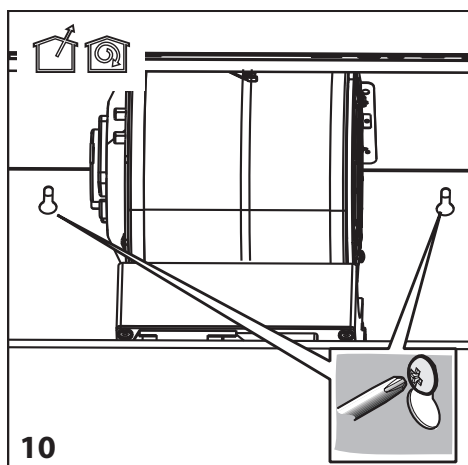
3. Plaats de afzuigkap zodanig dat de schroeven in de schroefgaten passen. **(Afbeelding 9)**



2. Verwijder de filters. **(Afbeelding 8)**

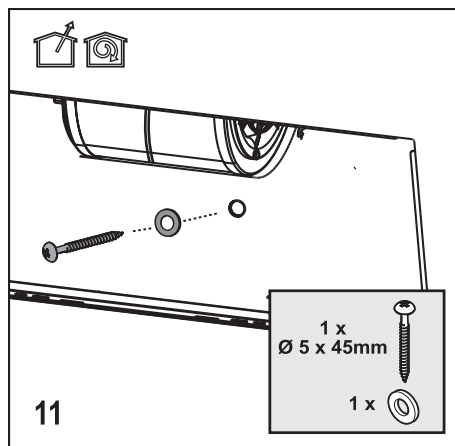


4. Draai de schroeven vast om de afzuigkap vast te zetten. **(Afbeelding 10)**

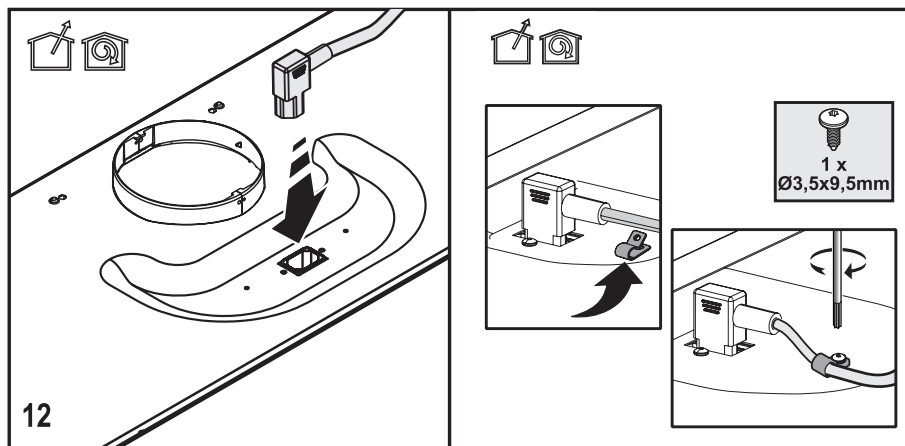


### 3 Uw apparaat installeren

5. Gebruik om de afzuigkap vast te maken ringen en draai ze vast met schroeven van  $\text{\O} 5 \times 45 \text{ mm}$ .  
(Afbeelding 11)

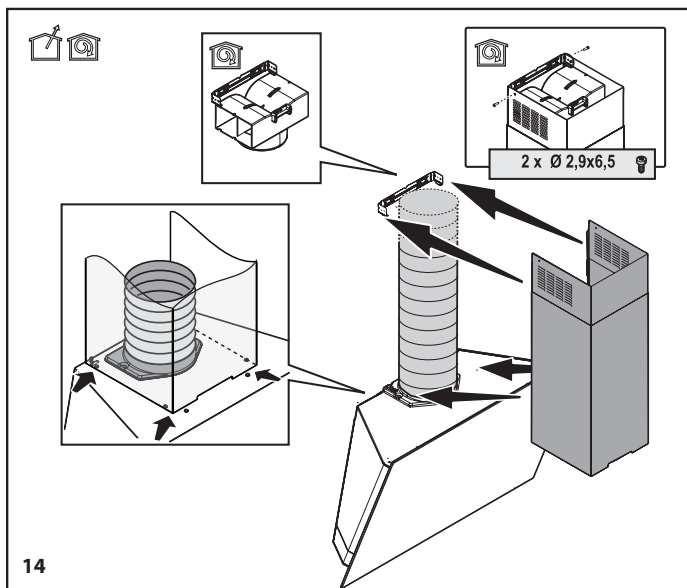
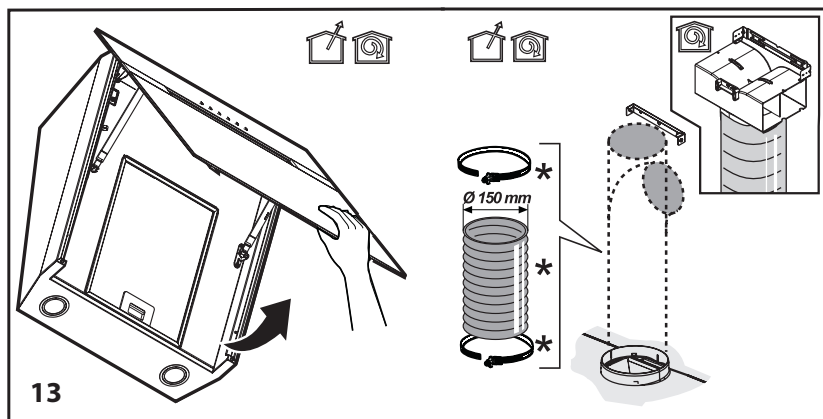


6. Sluit de stroomkabel aan op het stopcontact.  
Gebruik schroeven van  $\text{\O} 3,5 \times 9,5 \text{ mm}$  om de kabel te bevestigen. (Afbeelding 12)



### 3 Uw apparaat installeren

7. Plaats de aansluiting van het rookkanaal zoals op de afbeeldingen. **(Afbeelding 13, 14)**

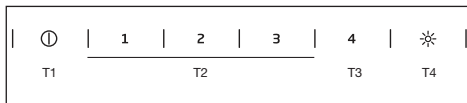


## 4 Bedienen van uw apparaat

### 4.1 Bediening

- Gebruik een hoger afzuigvermogen als er zich in de keuken een overmatige hoeveelheid damp vormt. Het wordt aanbevolen de afzuigkap 5 minuten voordat u gaat koken aan te zetten en na het koken 15 minuten langer laat werken.

### 4.2 Bediening in niveaus



- T1.** Aan/uit-toets. Zet het apparaat aan als het UIT staat. Zet het apparaat vanuit elk niveau UIT.
- T2.** Laat het apparaat in niveaus 1, 2 en 3 werken.  
Laat het apparaat in niveau 1 werken. Led 1 gaat branden.  
Laat het apparaat in niveau 2 werken. Led 2 gaat branden.  
Laat het apparaat in niveau 3 werken. Led 3 gaat branden.
- T3.** Laat het apparaat gedurende 5 minuten op niveau 4 werken. Als deze toets wordt ingedrukt terwijl het apparaat op elk willekeurig niveau (1, 2, 3) werkt, gaat het led van het huidige niveau voortdurend branden en gaat het led van niveau 4 knipperen. Na 5 minuten gaat het led van niveau 4 UIT en verlaat het product het maximale niveau. Als de toets voor niveau 4 wordt ingedrukt voordat er 5 minuten verstreken zijn, verlaat het product het maximale niveau.
- T4.** Toets verlichting aan/uit. Druk deze toets kort in om de verlichting AAN/UIT te zetten. Druk in en houd langer dan 1 seconde vast om één van de 5 helderheidsniveaus te selecteren.

### 4.3 Vetfilteralarm

Het knipperen van led 1 waarschuwt de gebruiker dat het metalen filter gereinigd moet worden. Als dit alarm wordt getoond, moet het vetfilter worden gereinigd. Druk op de toets AAN/UIT en houd deze gedurende 3 seconden vast om de waarschuwing te resetten terwijl het product in werking is. Led 1 stopt met knipperen.

### 4.4 Koolstoffilteralarm

Het product wordt geleverd met een gedeactiveerd alarm voor het koolstoffilter. Druk de toetsen 1 en 2 gedurende 3 seconden in om de waarschuwing van de koolstoffilterreiniging te activeren terwijl het product UIT staat. Eerst gaat led 1 en daarna led 1 en 2 branden, wat aangeeft dat de waarschuwing is geactiveerd. Druk de toetsen 1 en 2 gedurende 3 seconden in om de waarschuwing van de koolstoffilterreiniging te deactiveren terwijl het product UIT staat. Eerst gaan led 1 en 2 en daarna led 1 branden, wat aangeeft dat de waarschuwing is gedeactiveerd.

Het knipperen van led 2 waarschuwt de gebruiker dat het koolstoffilter gereinigd moet worden. Druk op de toets AAN/UIT en houd deze gedurende 3 seconden vast om de waarschuwing te resetten terwijl het product in werking is.



Als de waarschuwingen voor zowel het metalen filter als het koolstoffilter tegelijkertijd worden geactiveerd, moet het resetten voor iedere waarschuwing afzonderlijk worden uitgevoerd.

### 4.5 Energie-efficiënt gebruik:

- Als de afzuigkap in werking is, past u het vermogen aan op de intensiteit van de geur en damp om onnodig verbruik te voorkomen.
- Gebruik laag vermogen onder normale omstandigheden (1-2) en hoog vermogen (3-4) als geuren en dampen intensiever zijn.
- De verlichting op de afzuigkap is bedoeld voor het verlichten van de kookzone. Deze te gebruiken om de omgeving/keuken te verlichten heeft onnodig verbruik en ongeschikte verlichting tot gevolg.

## 5 Reinigen en onderhoud

### 5.1 Reiniging

- Schakel het apparaat uit, draai de hoofdschakelaar uit of maak de zekeringen van de afzuigkap los voordat u reiniging of onderhoud uitvoert.
- De afzuigkap moet regelmatig van binnen en buiten worden gereinigd (minstens met dezelfde frequentie als het uitvoeren van onderhoud aan de vetfilters).
- Reinig de afzuigkap met een schone vochtige doek met sop van een mild vloeibaar schoonmaakmiddel.
- Gebruik geen schurende middelen. **GEBRUIK GEEN ALCOHOL!**



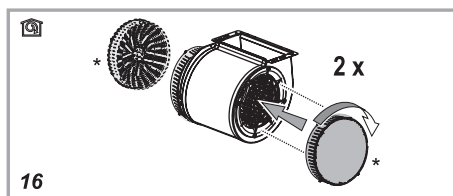
- Daarom raden we u aan de volgende instructies op te volgen.
- De fabrikant kan niet aansprakelijk worden gehouden voor schade aan de motor of schade door brand, die wordt veroorzaakt door onjuist onderhoud of het niet opvolgen van de hierboven vermelde veiligheidsaanbevelingen.

### 5.2 Reiniging van het glazen paneel

- Het glazen paneel en het afzuigoppervlak moeten net zo vaak worden gereinigd als de vetfilters.
- Reinig met een vochtige doek en een mild vloeibaar schoonmaakmiddel.
- Voorkom het gebruik van schurende middelen. **REINIG NIET MET ALCOHOL!**

### 5.3 Koolstoffilter (uitsluitend op modellen met filter)

- Na een periode van langdurig gebruik kan het koolstoffilter, afhankelijk van het type koken en de mate van reiniging van het oliefilter, vol raken.
- De cassette dient in ieder geval iedere vier maanden (of als het eventueel aanwezige indicatiesysteem voor vol filter aangeeft dat het filter vervangen dient te worden) te worden vervangen. **(Afbeelding 16)**
- Het koolstoffilter kan niet gewassen en herbruikt worden.



### Rond koolstoffilter

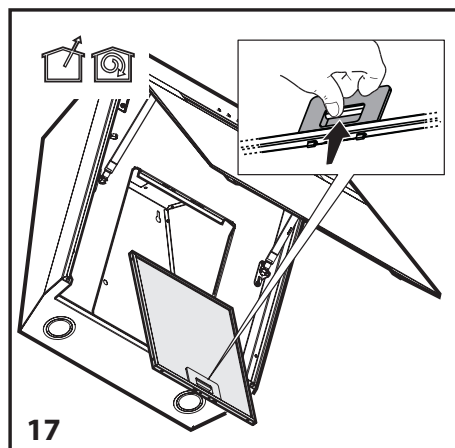
- Plaats een filter naast de beschermingskast van de propeller van de motor en draai het gedeelte met de wijzers van de klok mee.
- Draai het gedeelte tegen de wijzers van de klok in om te verwijderen.

### 5.4 Vetfilter

- Houdt vetdeeltjes vast die tijdens het koken vrijkomen.
- Het vetfilter moet maandelijks met de hand worden gereinigd (of als het eventueel aanwezige indicatiesysteem voor vol filter aangeeft dat het filter aan reiniging toe is) met een zuurvrij schoonmaakmiddel of in een vaatwasmachine op lage temperatuur en met een kort programma.
- Als het wordt gewassen in de vaatwasmachine kan de kleur van het vetfilter enigszins vervagen, maar dit is niet van invloed op het filtervermogen.

## 5 Reinigen en onderhoud

- Trek aan vrijgavehendel met veer om het vetfilter te verwijderen. **(Afbeelding 17)**



### 5.5 Reiniging

- Verzuim vooral niet uw afzuigkap te reinigen meteen nadat u heeft gebakken.
- Gebruik een zachte doek met vloeibaar schoonmaakmiddel om de buitenkant van uw afzuigkap schoon te maken.
- Gebruik nooit schurende of krassende materialen voor de reiniging.
- U kunt in de winkel verkrijgbare vetverwijderaars enz. gebruiken door de waarschuwingen op het product op te volgen. Om de geborstelde stalen behuizing niet te krassen, moet u in dezelfde richting als de borstelstreek vegen.
- Gebruik om de oppervlaktekwaliteit van uw product te onderhouden geen schoonmaakmiddelen die zoutzuur, bleek of schurende middelen bevatten. Gebruik een in zeepwater gedrenkte doek of speciale schoonmaakspray voor roestvrijstalen oppervlakken. Verwijder de beschermfolie van het apparaat.



**Waarschuwing:** U kunt brand veroorzaken als u de instructies van reiniging en vervanging van filters in uw afzuigkap niet opvolgt.



**Als u het apparaat moet verplaatsen:**

Bewaar de originele verpakking van het apparaat. Transporteer het apparaat in zijn originele verpakking en volg de transportmarkeringen op de originele verpakking.

**Als u de originele verpakking niet meer heeft:**

- Plaats geen zware voorwerpen op de afzuigkap.
- Bescherm het buitenoppervlak tegen stoten.
- Verpak het product dusdanig dat het niet kan beschadigen tijdens het transport.

### 5.6 Vervangen van de lampen



**WAARSCHUWING:** Zorg dat de lampjes afgekoeld zijn voordat u deze aanraakt.



Neem voor vervanging van de lampen contact op met een erkende serviceagent.

## Palun lugege esmalt juhendit!

Lugupeetud kliendid!

Aitäh, et otsustasite Beko toote kasuks. Loodetavasti jääte selle kaasaegse tehnoloogia järgi valmistatud kvaliteetse toote tööga rahule. Selleks tutvuge enne toote kasutamist hoolikalt kasutusjuhendi ja kõigi kaasasolevate dokumentidega ja hoidke need alles. Kui annate toote üle uuele omanikule, pange kaasa ka kasutusjuhend. Järgige kõiki kasutusjuhendis toodud hoiatusi ja juhiseid.

Ärge unustage, et selles kasutusjuhendis käsitletakse ka mitmeid teisi mudelid. Mudelite erinevusi kirjeldatakse kasutusjuhendis selgelt.

### Tähiste tähendused

Käesoleva juhendi erinevates jaotistes kasutatakse järgmisi tähiseid:



Oluline teave ja kasulikud nõuanded.



**HOIATUS!** Hoiatused elu ja vara suhtes ohtlike olukordade kohta.



Hoiatus elektrilöögi kohta.



Hoiatus tuliste pindade kohta.



Toode on valmistatud keskkonnasõbralikes kaasaegsetes tehastes loodust kahjustamata.



Käesolev jaotis sisaldab ohutusjuhiseid, mis aitavad teil vältida kehavigastusi ja varalist kahju. Nende juhiste eiramisel kaotab antud garantii kehtivuse.

## 1.1 Üldine ohutus

- Jätke paigaldus ja remont alati volitatud hooldustehniku hooleks. Tootja ei vastuta volitamata isikute tehtud toimingutest põhjustatud kahjude eest.
- Seade ei ole mõeldud kasutamiseks piiratud füüsiliste, sensorsete või vaimsete võimetega inimeste (kaasa arvatud laste) või isikute poolt, kellel puuduvad selleks kogemused või teadmised. Lapsi tuleks valvata, et nad seadmega ei mängiks.

### 1.1.1 Elektriohutus

- Paigaldamise, hooldamise, puhastamise ja remontimise ajaks tuleb seade alati vooluvõrgust lahutada.
- Kahjustatud toitejuhtme peab välja vahetama tootja poolt väljastatud sertifikaati omav vastava väljaõppega isik, teenindus või muu pädev asutus või inimene (eelistatavalt elektrik) või maaletootja määratletud inimene.

- Tööpinge on 220–240 V.
- Kui seade läheb rikki, ei tohi seda kasutada enne, kui volitatud hooldustehnik on rikke kõrvaldanud. Elektrilöögi oht!
- Hoidke toitejuhe pliidiplaatidest eemal. Toitejuhe võib põhjustada tulekahju, sest see sulab kergesti.
- Ärge lülitage õhupuhastit sisse enne, kui paigaldamine on lõpule viidud.
- Parimate tööomaduste tagamiseks ei tohi väline suitsutoru olla pikem kui 4 meetrit. Selles ei tohi olla rohkem kui 2 täisnurka (90°) ja läbimõõt peab olema vähemalt 120 mm.
- Enne seadme siseosade käsitlemist lahutage seade vooluvõrgust.
- Kasutage seadet ainult koos mandatud pistikupesaga.

### 1.1.2 Toote ohutu kasutamine

- Õhupuhasti suitsutoruühenduse tegemiseks võib kasutada 120 mm või 150 mm läbimõõduga toru.
- Ärge ühendage ahjudega ühendatud suitsutorudega, väljalaskekanalite ega suitsutorudega, millesse ulatuvad leegid.

- Järgige ametiasutuste kehtestatud heitõhu väljalaskmist käsitlevaid eeskirju.
- Õhupuhasti alumise pinna ja pliidi/ahju pealmise pinna vahelise ala kõrgus peab gaasipliidi puhul olema vähemalt 50 cm ja elektripliidi puhul vähemalt 45 cm.
  - Ärge kasutage õhupuhastit ilma alumiiniumfiltriteta ega eemaldage filtreid kasutamise ajal.
  - Ärge puudutage õhupuhasti lampe, kui need on pikka aega töötanud. Lambid võivad olla tulesed ja teie kätt kõrvetada.
  - Vältige suurt leeki otse seadme all. Muidu võivad õlipüüduuri osakesed süttida ja põhjustada tulekahju.
  - Lülitage pliidiplaat sisse alles pärast seda, kui olete panni või poti sellele asetanud. Muidu võib tõusev kuumus seadme osi deformeerida.
  - Lülitage pliidiplaat välja enne panni või poti eemaldamist.
  - Ärge kasutage õhupuhasti all kergestisüttivaid materjale.
  - Õli võib toidu praadimisel süttida. Olge rõivaste ja kardinatega ettevaatlik.
  - Ärge jätke pliiti toidu praadimisel järelevalveta, sest kuum õli võib põhjustada tulekahju.
  - Kui õhupuhastit ei puhastada ettenähtud ajal, võib tekkida tulekahju oht.
  - Olge õhupuhasti puhastamisel eriti ettevaatlik ja kandke kindaid.
  - Soovitame seadme lülitada sisse mõned minutid enne toiduvalmistamise alustamist, et lasta imemisvõimsusel suurened. Nii on toiduvalmistamise aurude tõusmisel tagatud pidev ja stabiilne imemisvõimsus.
  - Laske õhupuhastil töötada 15 minutit pärast küpsetamise või praadimise lõpetamist, et eemaldada köögist lõhnad ja toiduvalmistamise aurud.
  - Õhupuhasti kasutamisel (eriti koos gaasipliidiga) veenduge, et ruumi ventileeritaks puhta õhuga.
  - Ärge ühendage seadet õhupuhastitega, mida kasutavad mitteelektrilised seadmed (nt kamina suitsutoru).

- Õhupuhasti ja muu õhku vajava seadme samaaegne ja sujuv kasutamine on võimalik ainult juhul, kui saavutatakse madal rõhk 4 Pa (0,04 mbar) ja välditakse seeläbi gaasi tagasiimendumist. See saavutatakse ainult juhul, kui õhk tuleb katmata avadest (uks, aken, ventilatsiooniava või muud tehnilised meetmed). Pöörake suurt tähelepanu piisava õhuvoolu tagamisele. Suitsutoru, mis tagab lihtsalt õhu sisenemise/väljumise, pole selleks otstarbeks piisav.
- Lapsed alates 8. eluaastast ja füüsilise, meelevõi vaimupuudega isikud, samuti puudulike teadmiste ja kogemustega isikud tohivad seadet kasutada tingimusel, et nad teevad seda järelevalve all või neile on selgitatud seadme ohutut kasutamist ning mõistavad seadme kasutamisega seotud ohte. Lapsed ei tohi seadmega mängida.
- **ETTEVAATUST!** Ligipääsetavad osad võivad küpsetusseadme kasutamisel kuumeneda.

## 1.1.3 Laste ohutus

- Pakkematerjalid on lastele ohtlikud. Hoidke pakkematerjale ohutus kohas, kust lapsed neid kätte ei saa.
- Elektriseadmed on lastele ohtlikud. Hoidke lapsed tootest eemal. Ärge lubage lastel seadmega mängida.
- Seade on ettenähtud kasutamiseks ainult koduses majapidamises. See ei sobi kommertskasutuseks ja seda ei tohi kasutada muuks kui ettenähtud otstarbeks.
- Tootja ei võta mingit vastutust väära kasutamise või käsitlemise tagajärjel tekkinud kahjude eest.
- Toote eluiga on 10 aastat. See on aeg, mille jooksul peavad saadaval olema toote nõuetekohaseks toimimiseks vajalikud varuosad.
- **HOIATUS!** Kui kruvide paigaldamisel eiratakse juhendis esitatud juhiseid, võib tekkida elektrilöögi oht.

## 1.2 Ettenähtud otstarve

## 1.3 WEEE direktiivi täitmine ja kasutuks muutnud seadmete kõrvaldamine



Seade vastab Euroopa Liidu elektri- ja elektroonikaseadmete jäätmete (WEEE) direktiivile (2012/19/EL). Seadmel on elektri- ja elektroonikaseadmete jäätmete (WEEE) liigiti kogumise tähis.

Toode on valmistatud kvaliteetsetest osadest ja materjalidest, mis on taaskasutatavad ja sobivad ringlussevõtmiseks. Ärge visake kasutuks muutunud seadet tavalise olmeprügi ega muude jäätmete hulka. Toimetage see vastavasse kogumispunkti, mis tegeleb elektri- ja elektroonikaseadmete ringlussevõtuga. Kogumispunktide kohta saate täpsemat teavet kohalikust omavalitsusest.

## Vastavus ohtlike ainete kasutamise piiramist käsitlevale direktiivile:

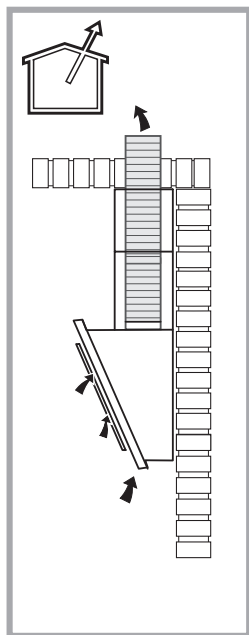
Seade vastab Euroopa Liidu RoHS-direktiivile (2011/65/EL). See ei sisalda direktiivis mainitud kahjulikke ja keelatud materjale.

## 1.4 Teave pakendi kohta

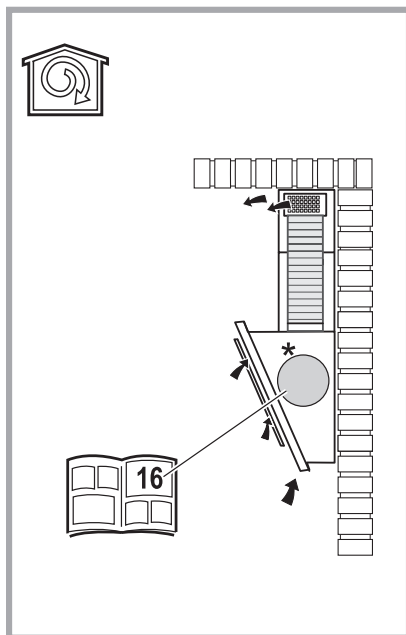


Vastavalt meie riiklikule seadusandlusele on toote pakend valmistatud taaskasutatavatest materjalidest. Ärge visake pakematerjale tavalise olmeprügi või muude jäätmete hulka. Viige need kohaliku omavalitsuse poolt määratud pakendikogumispunkti.

## 2 Teie seadme tehnilised andmed



 Kasutamine koos  
suitsutoruga



 Kasutamine koos söefiltriga

Tootel olevatel märgistustel või tootega kaasas olevas dokumentatsioonis toodud väärtused on saadud laboritingimustes, järgides vastavaid standardeid. Olenevalt toote töö- ja keskkonnaningimustest võivad tegelikud väärtused varieeruda.

## 3 Seadme paigaldamine

Küsi õhupuhasti paigaldamise kohta nõu lähimalt volitatud hooldustehnikult.

\*Toote paigalduskoha ning elektrisüsteemi ettevalmistamine on kliendi ülesanne.



**HOIATUS!** Eemaldage pärast paigaldamist õhupuhastilt ja suitsutoru pinnalt kaitsekile (kui on olemas).

Õhupuhasti alumise pinna ja pliidiplaadi pealmise pinna vahelise ala kõrgus peab gaasipliidi puhul olema vähemalt 50 cm ja elektripliidi puhul vähemalt 45 cm.

Seadme peab elektrivõrku ühendama kvalifitseeritud elektrik.

Paigaldage toode nii, et ulatute pärast paigaldamist hõlpsasti toiteühenduseni (pistik, pesa).

Mõõtmed on esitatud millimeetrites.

### 3.1. Toiteühendus

- Peatoiteallikas peab vastama õhupuhasti sees oleval plaadil esitatud väärtustele. Ühendage õhupuhasti pistiku abil toitepesaga vastavalt kohalikele eeskirjadele ja paigutage see juurdepääsetavasse kohta. Pärast paigaldamist: kui seadmel pole pistikut (otseühendus vooluvõrguga) või pistik pole käeulatuses, kasutage standardset kahepooluselist lülitit, mis võimaldab liigvoolu kategooriaga III seotud asjaolude korral toitepistiku vooluvõrgust lahutada.



**HOIATUS!** Enne õhupuhasti ühendamist peatoiteallikaga ja selle nõuetekohase toimimise kontrollimist veenduge, et peatoitejuhe on õigesti ühendatud.

- Õhupuhasti on varustatud spetsiaalse toitejuhtmega. Kui toitejuhe on kahjustunud, võtke ühendust volitatud hooldustehnikuga.

## 3.2. Paigaldamine

### 3.2.1 Enne paigaldamise alustamist

- Kontrollige, et ostetud toote mõõtmed on paigalduskoha jaoks sobivad.
- Eemaldage aktiivsõefilter (\*), kui see kuulub komplekti (vt ka sellega seotud lõiku). See tuleb paigaldada ainult juhul, kui soovite õhupuhastit kasutada filtreeriva mudelina.
- Kontrollige, et koos õhupuhastiga on tarnitud muud materjalid (nt kott kruvidega (\*), garantiikaart (\*) jne), ja kui need on olemas, eemaldage need ja hoidke mõnes muus kohas.
- Kui võimalik, eemaldage eraldiseisev või liugmehhanismiga pliidiplaat ja tõmmake see eest ära, et pääseda hõlpsasti juurde tagaseinale või laele. Kui see pole võimalik, katke pink, pliidiplaat või ahi paksu kaitseriidega, et kaitsta neid kahjustuste ja mustuse eest. Valige seadme paigaldamiseks tasane pind. Katke pind kaitseriidega ja paigutage sellele kõik õhupuhasti varikatuse osad ja töövahendid.
- Kontrollige, et õhupuhasti kokkupanekukohas on olemas pistik (peab pärast õhupuhasti kokkupanekut olema juurdepääsetavas kohas) ja õhupuhastit on võimalik ühendada väliskeskkonnaga (ainult aspiratsiooniga mudeli korral).
- Tehke kõik seinaga seotud nõutavad toimingud (nt toitepistiku panek pistikusse ja/või väljalaskevooliku jaoks ava tegemine).

Õhupuhasti kinnitamiseks erinevat tüüpi seintele/lagedele on saadaval laiad tüüblid. Lisaks tuleb lasta kvalifitseeritud tehnikul kontrollida sein-/laematerjali sobivust. Sein/lagi peab olema õhupuhasti koormuse talumiseks piisavalt tugev. Seadet ei tohi paigaldada plaaditud, krohvitud ega silikoonpindadele. Paigaldage see ainult seinale.

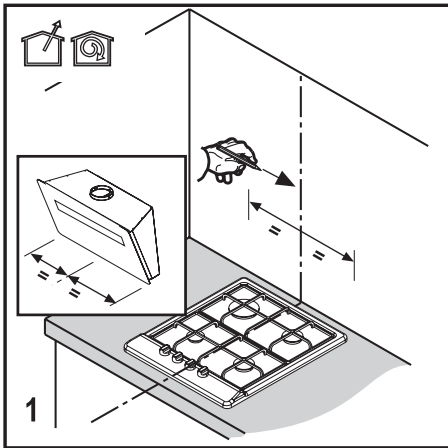
Kui paigalduskohas on paneel- ja/või külgsein ja/või mööbel, siis kontrollige, et õhupuhasti paigaldamiseks on piisavalt ruumi ja juhtpaneel on hõlpsasti juurdepääsetav.

## 3 Seadme paigaldamine

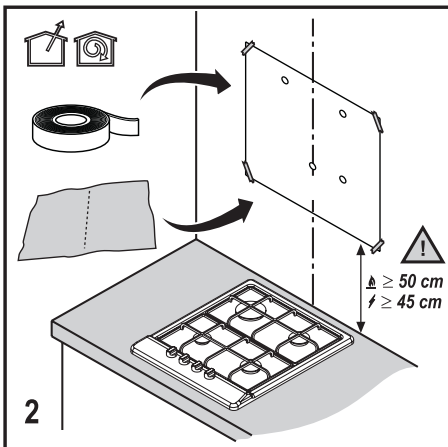
### 3.2.2 Õhupuhasti seinale paigaldamise ettevalmistamine

Allpool leiate teabe, mida on vaja õhupuhasti paigalduskoha ettevalmistamiseks.

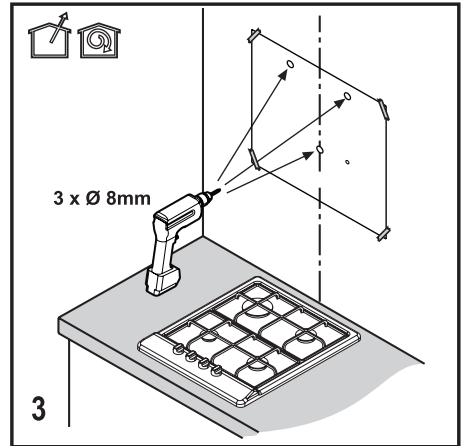
1. Märkige pind, kuhu paigaldusmall on kavas riputada. (joonis 1)



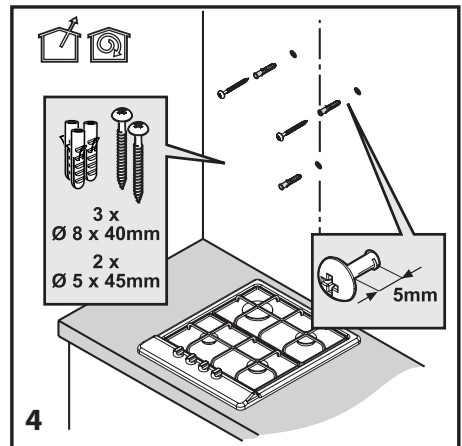
2. Kinnitage paigaldusmall õhupuhasti paigalduskohale. (joonis 2)



3. Puurige märgitud punktides Ø 8 mm puuriga ava. (joonis 3)



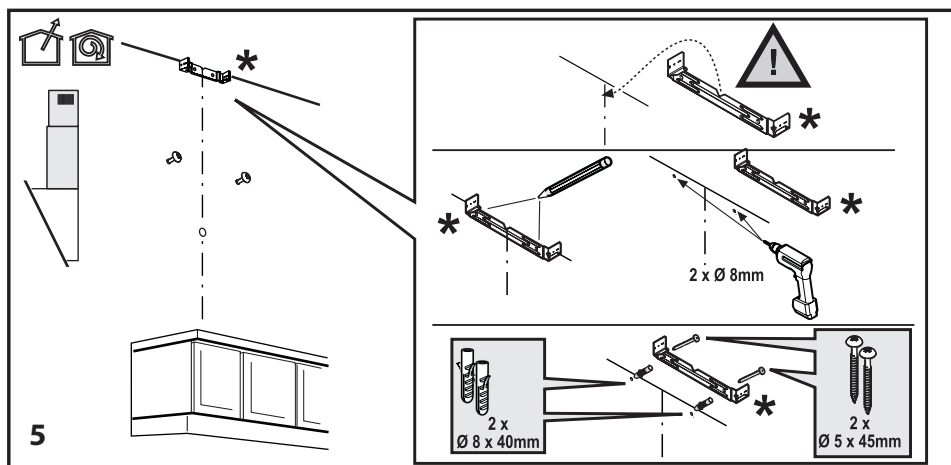
4. Lööge haamri abil kolm Ø 8x40mm tüüblit puuritud avadesse. Kruvige eespool löödud tüüblitesse kaks Ø 5x45 mm riputuskrui. Kruvipea ja seina vahele peab jääma 5 mm vahe. (joonis 4)



## 3 Seadme paigaldamine

### 3.2.3 Õhupuhasti suitsutoru paigaldamine

Puurige märgitud kohtadesse  $\varnothing 8$  mm puudriga avad suitsutoru plaadi kinnitamiseks. Lööge haamri abil kaks  $\varnothing 8 \times 40$  mm tüüblit puuritud avadesse. Kruvige löödud tüüblitesse kaks  $\varnothing 5 \times 45$  mm riputuskruvi. (joonis 5)

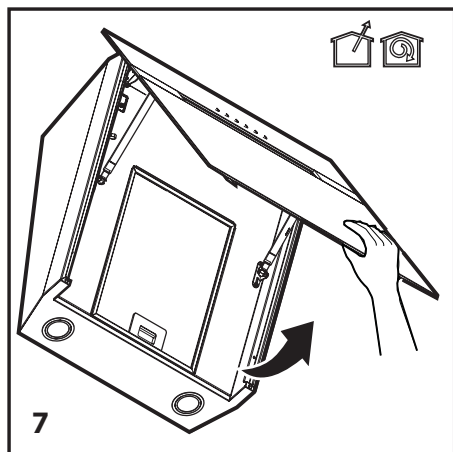




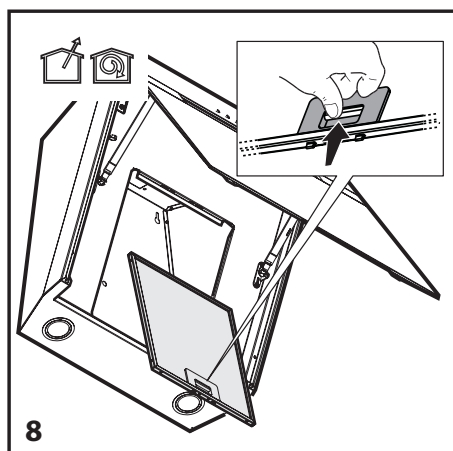
## 3 Seadme paigaldamine

### 3.2.4 Õhupuhaсти paigaldamine seinale

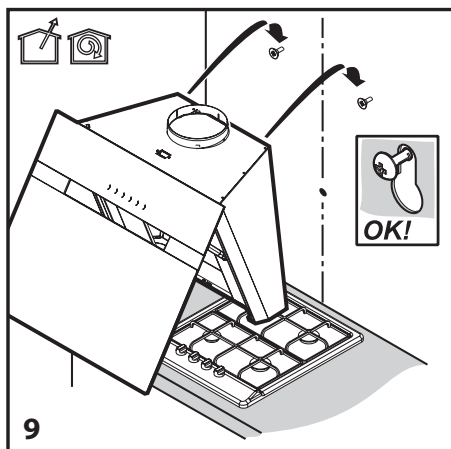
1. Eemaldage esipaneel, et paigaldada õhupuhaсти seinale. (joonis 7)



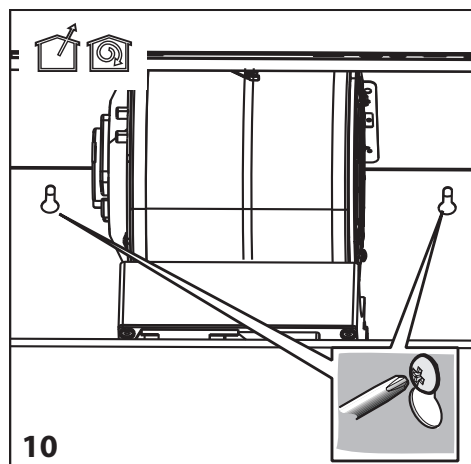
2. Eemaldage filtrid. (joonis 8)



3. Paigutage õhupuhaсти nii, et kruvid sobivad kruvipeadega. (joonis 9)

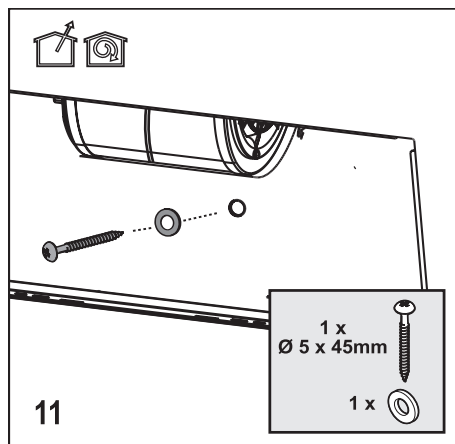


4. Keerake õhupuhaсти kinnitamiseks kruvid kinni. (joonis 10)

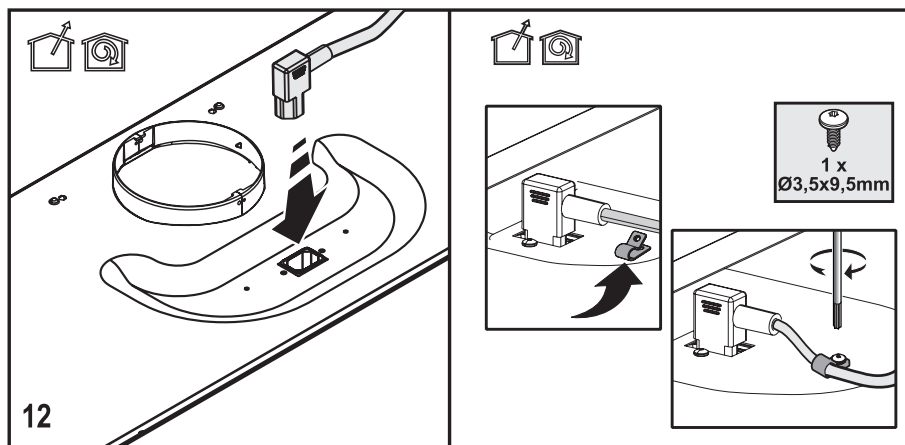


### 3 Seadme paigaldamine

5. Kasutage õhupuhasti kinnitamiseks seibe ja keerake kinni  $\text{Ø} 5 \times 45$  kruvidega. (joonis 11)

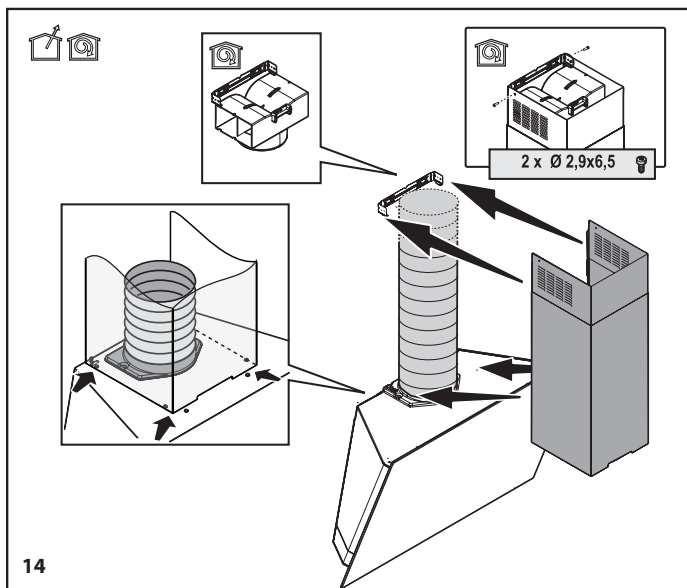
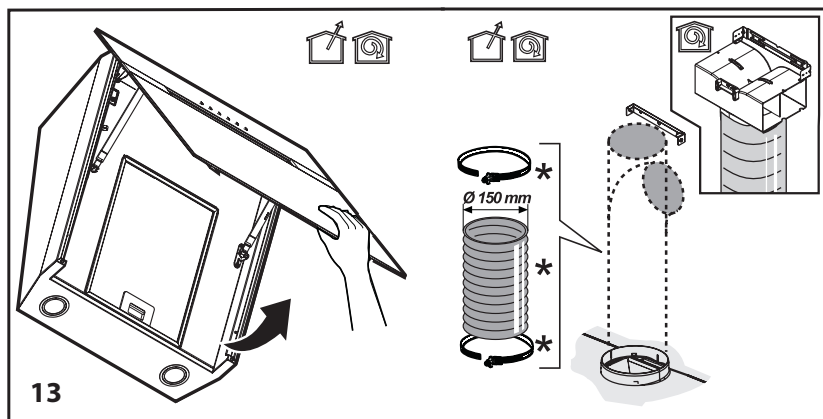


6. Ühendage toitejuhe vooluvõrku. Kasutage juhtme kinnitamiseks  $\text{Ø} 3.5 \times 9.5$  kruvi. (joonis 12)



### 3 Seadme paigaldamine

7. Paigutage suitsutoru ühendus joonistel näidatud viisil. (joonis 13, 14)

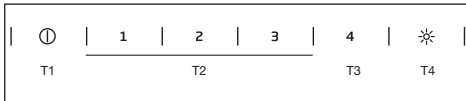


## 4 Seadme kasutamine

### 4.1 Kasutamine

- Kui köögis tekib liigselt auru, kasutage suurt imemisvõimsust. Soovitatav on lülitada õhupuhasti imemisese sisse 5 minutit enne toiduvalmistamise alustamist ja jätta see tööle 15 minutiks pärast toiduvalmistamise lõpetamist.

### 4.2 Juhtimine tasemete abil



- T1.** Sisse-/väljalülitusklahv. Kui seade on VÄLJA lülitatud, siis lülitab selle vajutamine seadme sisse. Kui seade on mis tahes kiirustasemel, siis lülitab selle vajutamine seadme VÄLJA.
- T2.** Seadet saab kasutada kiirustasemetel 1, 2 ja 3.
- Seade töötab kiirustasemel 1. Märgutuli 1 süttib.
- Seade töötab kiirustasemel 2. Märgutuli 2 süttib.
- Seade töötab kiirustasemel 3. Märgutuli 3 süttib.
- T3.** Seade töötab 5 minutit kiirustasemel 4. Kui selle klahvi vajutamisel töötab seade mis tahes tasemel (1, 2, 3), siis praeguse kiiruse märgutuli jääb püsivalt põlema ja kiirustaseme 4 märgutuli hakkab vilkuma. 5 minuti möödumisel kiirustaseme 4 märgutuli kustub ja toode väljub maksimaalse kiiruse režiimist. Kui kiirustaseme 4 klahvi vajutatakse enne 5 minuti möödumist, väljub toode maksimaalse kiiruse režiimist.
- T4.** Tule sisse- ja väljalülitusklahv. Tule sisse- või väljalülitamiseks vajutage korraks seda klahvi. Selleks, et valida üks viiest heledustasemest, vajutage ja hoidke klahvi all vähemalt üks sekund.

### 4.3 Rasvafiltri märguanne

Märgutule 1 vilkumine hoiatab kasutajat metallfiltri puhastamise vajadusest. Märguande saamisel on aeg puhastada rasvafilter. Hoiatuse lähtestamiseks vajutage töötaval seadmel sisse- ja väljalülitusklahv vähemalt kolmeks sekundiks alla. Märgutuli 1 lõpetab vilkumise.

### 4.4 Söefiltri märguanne

Söefiltri märguanne on toote tarnimisel välja lülitatud. Söefiltri puhastamise hoiatuse sisselülitamiseks vajutage sel ajal, kui seade on välja lülitatud, klahvid 1 ja 2 kolmeks sekundiks alla. Esmalt süttib märgutuli 1 ja seejärel nii märgutuli 1 kui 2, et anda märku hoiatuse sisselülitumisest. Hoiatuse väljalülitamiseks vajutage sel ajal, kui seade on välja lülitatud, klahvid 1 ja 2 kolmeks sekundiks alla. Esmalt süttivad märgutuled 1 ja 2 ning seejärel märgutuli 1, et anda märku hoiatuse väljalülitumisest.

Märgutule 2 vilkumine hoiatab kasutajat söefiltri puhastamise vajadusest. Hoiatuse lähtestamiseks vajutage töötaval seadmel sisse- ja väljalülitusklahv vähemalt kolmeks sekundiks alla.



Kui nii metall- kui ka söefiltri hoiatused lülituvad sisse samaaegselt, tuleb need hoiatused lähtestada siiski eraldi.

### 4.5 Energiatõhus kasutamine

- Mittevajaliku energiatarbimise vältimiseks reguleerige õhupuhasti kasutamise ajal kiirustaset vastavalt lõhna ja auru intensiivsusele.
- Soovitame tavatingimustes kasutada väiksemaid kiirusi (1-2) ja eriti tugevate toidulõhnade ja -aurude eemaldamiseks suuremaid kiirusi (3-4).
- Õhupuhastil olevad tuled on ette nähtud toiduvalmistamisala valgustamiseks. Nende kasutamine ruumi/köögi valgustamiseks toob kaasa mittevajaliku energiatarbimise ja ebapiisava valgustuse.

## 5 Puhastamine ja hooldamine

### 5.1 Puhastamine

- Enne puhastamist ja hooldamist eemaldage seadme toitepistik pesast või lülitage pealüliti välja või rakendage või lülitage välja õhupuhasti toite kaitse.
- Õhupuhastit tuleb nii seest kui väljast puhastada korrapäraselt (vähemalt sama sageli kui hooldate rasvafiltrit).
- Kasutage õhupuhasti puhastamiseks puhast riidelappi, mis on niisutatud sooja veega, millesse on segatud neutraalset vedelpesuvahendit.
- Ärge kasutage abrasiivseid tooteid. **ÄRGE KASUTAGE ALKOHOLI!**



**HOIATUS!** Õhupuhasti põhiliste puhastusjuhiste eiramine ja filtrite vahetamatajätmine võib põhjustada tulekahju.

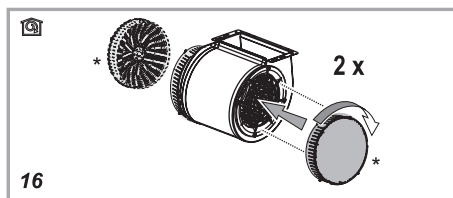
- Seepärast soovitame järgida nimetatud juhiseid.
- Tootjat ei saa pidada vastutavaks mittenõuetekohasest hooldamisest või eespool nimetatud ohutusosalaste soovitude eiramisest põhjustatud mootori- ja tulekahjustuste eest.

### 5.2 Klaaspaneeli puhastamine

- Klaaspaneeli ja imemispindu tuleb puhastada sama sageli kui rasvafiltreid.
- Puhastage niiske riidelapi ja neutraalse vedelpesuvahendiga.
- Vältige abrasiivsete toodete kasutamist. **ÄRGE PUHASTAGE ALKOHOLIGA!**

### 5.3 Söefilter (ainult filtriga mudelid)

- Pärast pikaajalist kasutamist võib söefilter olenevalt toiduvalmistamise iseloomust ja õliliftri puhastamise korrapärasusest täituda.
- Igal juhul tuleb kassett välja vahetada iga nelja kuu järel (või kui filtri täitumise näidik annab märku filtri (kui see on antud mudelil olemas) vahetamise vajadusest). **(joonis 16)**
- Söefiltrit ei saa pesta ega taaskasutada.



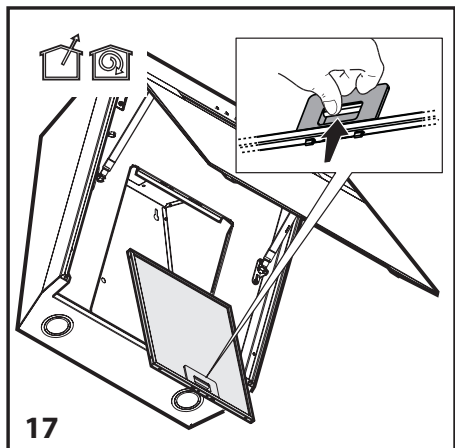
### Ringikujuline söefilter

- Paigutage üks filter mootori tiiviku kaitsevõrede lähedale ja seejärel keerake osa päripäeva suunas.
- Lahtivõtmiseks keerake osa vastupäeva suunas.

### 5.4 Rasvafilter

- Püüab kinni toiduvalmistamisel tekkivad rasvaosakesed.
- Rasvafiltrit tuleb puhastada üks kord kuus (või kui filtri täitumise näidik (kui see on ostetud mudelil olemas) annab sellest märku) happevaba puhastusvahendiga käsitsi või nõudepesumasinas madalal temperatuuril ja lühikese programmiga.
- Nõudepesumasinas pesemisel võib rasvafiltri värvus veidi tuhmuda, kuid see ei mõjuta selle filtreerimisomadusi.
- Rasvafiltri eemaldamiseks tõmmake vedrumehhanismiga hooba. **(joonis 17)**

## 5 Puhastamine ja hooldamine



### 5.5 Puhastamine

- Ärge kindlasti unustage õhupuhas­ti puhastada kohe pärast praadimist.
- Õhupuhas­ti välis­pinna puhastamiseks kasutage pehmet riidelappi, mida on niisutatud vedel­pe­su­vahendiga.
- Ärge kunagi kasutage puhastamiseks abrasiiv­seid või kriimustusi tekitavad materjale.
- Võite kasutada kaubandus­võrgus saadaolevaid puhastusvahendeid raskesti eemaldatava rasva jaoks, kuid järgige seejuures tootel esitatud hoiatusi. Harjatud terasest korpuse kriimustamise vältimiseks pühkige harjamis­jälgedega samas suunas.
- Toote pinnaomaduste säilitamiseks ärge kasutage puhastusvahendeid, mis sisaldavad vesinikkloriidhapet, valgendit või abrasiivseid pulbreid. Roostevabast terasest pindade puhul kasutage riidelappi, mida on niisutatud seebivee või spetsiaalse roostevaba terase puhastusaerosooliga. Eemaldage seadmelt kaitsekile.



**Ettevaatust!** Kui te ei järgi õhupuhas­ti puhastamist ja filtrite väljavahetamist käsitlevaid juhiseid, võite põhjustada tulekahju.



### Kui seadet on vaja transportida

Hoidke seadme originaalpakendit alles. Transportige seadet originaal­pakendis ja järgige originaal­pakendil esitatud transpordimärgistusi.

### Kui teil pole originaalpakendit alles

- Ärge asetage õhupuhas­tile raskeid esemeid.
- Kaitske välis­pinna löökide eest.
- Pakendage toode nii, et see ei saa transportimisel kahjustusi.

### 5.6 Lambi vahetamine



**HOIATUS!** Enne lampide katsumist veenduge, et need on maha jahtunud.



Lampide väljavahetamiseks pöör­duge volitatud hooldustehniku poole.

## Avant d'utiliser l'appareil, veuillez lire ce manuel !

Cher client !

Merci d'avoir choisi les produits Beko. Nous espérons que ce produit, fabriqué dans des installations modernes et soumis à un processus de contrôle qualité rigoureux, vous offre les meilleures performances possibles. C'est pourquoi nous vous recommandons, avant d'utiliser ce produit, de lire attentivement ce manuel et tous les autres documents fournis et de les conserver soigneusement pour toute consultation future. Si vous confiez le produit à quelqu'un d'autre, n'oubliez pas de lui remettre également le manuel d'utilisation. Veuillez à bien respecter les consignes et les instructions figurant dans le manuel d'utilisation.

N'oubliez pas que ce manuel d'utilisation s'applique aussi à plusieurs autres modèles d'appareils. Les différences entre un modèle et un autre sont clairement exposées dans le manuel.

### Signification des pictogrammes

Les symboles suivants sont repris tout au long de ce manuel:



Informations importantes et conseils utiles sur l'utilisation de l'appareil.



**AVERTISSEMENT :** Avertissement sur les situations dangereuses concernant la sécurité des biens et des personnes.



Avertissement contre le risque d'électrocution.



Avertissement en cas de contact avec une surface brûlante.



Ce produit a été fabriqué dans les usines modernes respectueuses de l'environnement.

Cette section contient les consignes de sécurité qui aident à se prémunir contre les risques de dommages corporels ou de dégâts matériels. Le non-respect de ces consignes annule la garantie.

## 1.1 Consignes générales de sécurité

- Les procédures d'installation et de réparation doivent toujours être mises en application par un agent de service agréé. Le fabricant ne saurait être tenu responsable des dommages découlant des procédures effectuées par des personnes non autorisées.
- Ce produit n'a pas été prévu pour être utilisé par des personnes (notamment les enfants) dont les capacités physiques, sensorielles ou mentales sont réduites, ou n'ayant pas suffisamment d'expérience ou de connaissances. Les enfants doivent toujours être surveillés pour s'assurer qu'ils ne jouent pas avec l'appareil.

### 1.1.1 Sécurité électrique

- Débranchez toujours l'appareil du secteur pendant les procédures d'installation, d'entretien, de nettoyage et de réparation.

- Si le câble d'alimentation est défectueux, faites-le remplacer par une personne qualifiée agréée par le fabricant, le service après-vente ou assimilé (de préférence un électricien) ou une personne identifiée par l'importateur.
- La tension de fonctionnement est de 220 à 240 volts.
- Si l'appareil est défectueux, il ne doit pas être utilisé à moins d'être réparé par un agent de service agréé. Il y a risque d'électrocution !
- Ne faites pas passer le câble électrique près des tables de cuisson. Autrement, il pourrait fondre facilement et causer un incendie.
- Ne branchez jamais la hotte avant la fin de l'installation.
- Afin d'obtenir les meilleurs résultats, le conducteur externe ne doit pas être supérieur à 4 m. Il ne doit pas contenir plus de 2 angles (90 °) perpendiculaires et son diamètre doit être de 120 mm minimum.
- Débranchez l'appareil du secteur avant toute intervention sur les pièces internes.
- Utilisez l'appareil uniquement avec une prise de terre.



## 1.1.2 Sécurité du produit

- Vous pouvez utiliser un tuyau de 120 mm ou 150 mm de diamètre sur le raccordement au conduit de cheminée de la hotte.
- N'effectuez aucun raccordement sur les conduits de cheminée connectés aux cuisinières, aux conduits d'évacuation ou aux conduits de cheminée à flammes montantes. Respectez les règles concernant l'évacuation d'air définies par les autorités.
- La hauteur entre la surface inférieure de la hotte et la surface supérieure de la cuisinière/four ne doit pas être inférieure à 50 cm pour les tables de cuisson à gaz et à 45 cm pour les tables de cuisson électriques.
- N'utilisez pas la hotte sans filtres en aluminium et ne les retirez pas lorsqu'elle est en fonctionnement.
- Ne touchez jamais les ampoules de la hotte après une longue durée de fonctionnement. Elles pourraient vous brûler les mains puisqu'elles sont chaudes.
- Évitez les grandes flammes sous l'appareil. Autrement, les particules du filtre à huile pourraient s'enflammer et causer un incendie.
- Allumez les tables de cuisson après y avoir déposé les poêles ou les casseroles. Sinon, la chaleur élevée pourrait déformer certaines pièces de votre appareil.
- Éteignez les tables de cuisson avant d'y retirer les poêles et les casseroles.
- Évitez de laisser les matériaux inflammables sous la hotte.
- De l'huile pourrait s'enflammer lors des fritures. Alors, faites attention aux torchons et aux rideaux.
- Ne laissez jamais la plaque de cuisson sans surveillance lors des fritures ; autrement, de l'huile chaude pourrait causer un incendie.
- Il y a risque d'incendie si votre hotte n'est pas nettoyée à des périodes spécifiques.
- Faites très attention et portez des gants pendant le nettoyage de la hotte.
- Il est conseillé de faire fonctionner la hotte pendant quelques minutes avant de commencer la cuisson afin d'augmenter la puissance d'aspiration. Ainsi, la puissance d'aspiration sera continue et stable lors de l'échappement des vapeurs.

## Instructions importantes en matière de sécurité et d'environnement

- Laissez fonctionner la hotte pendant 15 minutes supplémentaires à la fin de la cuisson ou de la friture afin de débarrasser la cuisine des odeurs de vapeur.
  - Lorsque la hotte est en fonctionnement, simultanément avec les tables de cuisson de cuisson à gaz, assurez-vous que l'environnement est aéré.
  - Faites attention de ne pas raccorder l'appareil aux conduits de cheminée utilisés par les appareils non électriques. (Exemple : Conduit de l'élément chauffant).
  - Le fonctionnement simultané et sécurisé de la hotte et d'un autre appareil nécessitant de l'air n'est possible que lorsqu'une basse pression de 4 Pa (0,04 mbar) est garantie ; ainsi, la réabsorption du gaz est évitée. Ceci n'est possible que grâce à l'air venant d'ouvertures non couvertes (porte, fenêtre, ouvertures d'aération ou autres mesures techniques). Assurez-vous par dessus tout que le débit d'air est suffisant. Une cheminée ne fournissant pas suffisamment d'entrée et de sortie d'air ne convient pas à cette utilisation.
- ### 1.1.3 Sécurité des enfants
- Les matériaux d'emballage sont dangereux pour les enfants. Conservez-les en lieu sûr, hors de la portée des enfants.
  - Les appareils électriques sont dangereux pour les enfants. Tenez les enfants à l'écart de l'appareil. Ne les laissez pas jouer avec l'appareil.
  - Cet appareil peut être utilisé par les enfants âgés de 8 ans ou plus et par les personnes à capacités physiques, sensorielles ou mentales réduites ou qui n'ont pas les connaissances et l'expérience, tant qu'ils sont surveillés dans l'utilisation sécuritaire du produit ou s'ils sont instruits en conséquence ou comprennent les risques de l'utilisation du produit. Les enfants ne doivent pas jouer avec l'appareil.
  - **AVERTISSEMENT** : Les pièces accessibles peuvent être chaudes lorsqu'elles sont utilisées avec un appareil de cuisson.

## 1.2 Utilisation préconisée

- Le présent appareil a été conçu à des fins domestiques. Il n'est pas adapté pour un usage commercial, et ne doit pas être utilisé à des fins autres que celles prévues.
- La responsabilité du fabricant ne saurait être engagée en cas d'utilisation ou de manipulation inadaptée.
- La durée de vie de votre appareil est de 10 ans. Il s'agit de la période nécessaire pour la disponibilité des pièces de rechange pour le fonctionnement correct de l'appareil.
- **AVERTISSEMENT:** Le non respect des instructions du présent manuel fournies pour la fixation des vis peut présenter des risques électriques.

## 1.3 Conformité avec la directive DEEE et mise au rebut du produit usagé



Cet appareil est conforme à la directive DEEE (2012/19/UE). Cet appareil porte le symbole de classification pour les déchets des équipements électriques et électroniques (DEEE).

Le présent appareil a été fabriqué avec des pièces et du matériel de qualité supérieure susceptibles d'être réutilisés aux fins de recyclage. Ne mettez pas l'appareil usagé au rebut avec des déchets domestiques et autres déchets, à la fin de sa durée de vie. Déposez-le dans un point de collecte réservé au recyclage d'appareils électriques et électroniques. Veuillez contacter les autorités locales pour connaître l'adresse de ces points de collecte.

## Conformité avec la directive RoHS :

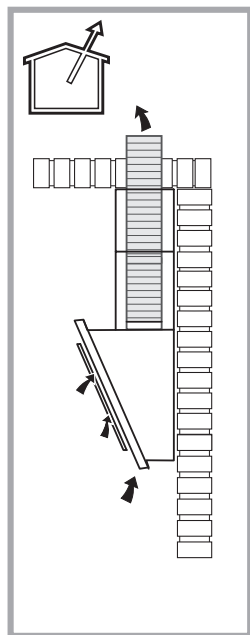
L'appareil que vous avez acheté est conforme à la Directive RoHS de l'UE (2011/65/UE). Il ne contient pas de matières dangereuses et interdites spécifiées dans la Directive.

## 1.4 Information sur l'emballage

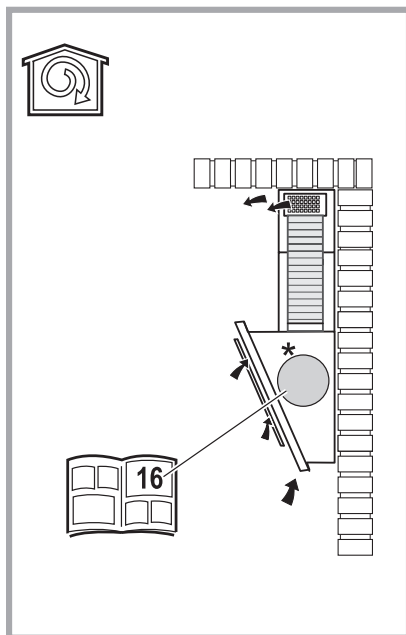


L'emballage du produit est fait à partir de matériaux recyclables, conformément à notre réglementation nationale. Ne jetez pas les éléments d'emballage avec les déchets domestiques et autres déchets. Déposez-les dans un des points de collecte d'éléments d'emballage que vous indiquera l'autorité locale dont vous dépendez.

## 2 Spécifications techniques de votre appareil



 Utilisation avec la cheminée



 Utilisation avec un filtre à charbon

Les inscriptions sur le produit ou les valeurs indiquées sur la documentation fournie avec le produit sont des valeurs obtenues dans des conditions de laboratoire conformément aux normes en vigueur. Ces valeurs peuvent varier selon l'utilisation du produit et les conditions environnantes.

## 3 Installation de votre appareil

Veillez consulter l'agent de service autorisé le plus proche, pour l'installation de la hotte.

\*Le client est responsable de la préparation de l'emplacement et de l'installation électrique des appareils.



**AVERTISSEMENT :** Retirez le film de protection (s'il y en a) sur la hotte et sur la surface du conduit de cheminée.

La hauteur entre la surface inférieure de la hotte et la surface supérieure de la cuisinière ne doit pas être inférieure à 50 cm pour les tables de cuisson à gaz et à 45 cm pour les tables de cuisson électriques.

Le raccordement électrique doit être exécuté exclusivement par un électricien spécialisé.

Installez votre produit de sorte à atteindre facilement l'alimentation électrique (fiche, prise) après l'installation.

Les dimensions sont en mm.

### 3.1. Raccordement électrique

- Votre source d'alimentation électrique doit être conforme aux valeurs indiquées sur la plaque signalétique de la hotte. Branchez la hotte à une sortie conformément à la réglementation en vigueur, à l'aide d'une fiche et placez-la dans une zone accessible. Après l'installation, si l'appareil est dépourvu de fiche (branchement direct à une source d'alimentation) ou si celle-ci est hors de portée, utilisez un commutateur bipolaire ré pondant aux normes établies, permettant de débrancher la fiche principale dans des circonstances liées à une surtension de catégorie III.



**AVERTISSEMENT :** Avant de re-connecter la hotte au secteur d'alimentation électrique et de vérifier si elle fonctionne correctement, assurez-vous que le câble d'alimentation principal est correctement branché.

- La hotte est équipée d'un câble d'alimentation spécial. Contactez l'agent du service autorisé si le câble est endommagé.

### 3.2. Installation

#### 3.2.1 Avant de démarrer l'installation :

- Vérifiez que le produit acheté possède les dimensions appropriées de l'emplacement d'installation.
- Retirez le filtre à charbon actif (\*) si fourni (voir également le paragraphe correspondant). Il ne pourra être installé que si vous souhaitez utiliser la hotte comme modèle avec filtre.
- Vérifiez si les autres matériels (tel que paquet de vis (\*), carte de garantie (\*) etc.) sont livrés dans la hotte et le cas échéant, retirez-les et gardez-les ailleurs.
- Si possible, retirez la plaque auto-portante ou coulissante et déplacez-la pour atteindre la paroi ou le plafond en toute sécurité. Si ce n'est pas possible, couvrez le poste de travail, table de cuisson ou le four avec un chiffon de protection épais afin de les sécuriser contre les dommages et la saleté. Installez l'appareil sur une surface plate. Couvrez la surface avec un chiffon de protection et placez toutes les pièces de la hotte et le matériel à l'intérieur.
- En outre ; vérifiez si une fiche est disponible sur la zone de montage de la hotte (par ailleurs, sur la zone accessible après l'assemblage de la hotte) et vérifiez si la connexion de la hotte vers l'extérieur (uniquement pour le modèle avec aspiration) est possible.

### 3 Installation de votre appareil

- Terminez toutes les opérations nécessaires liées à la paroi (par exemple enfichage de la prise d'alimentation et/ou ouverture d'un trou pour le tuyau de décharge).

Des chevilles larges sont disponibles pour permettre la fixation de la hotte sur une variété de types de mur/plafond. En outre, la conformité du matériel au type de paroi/plafond devrait être confirmée par un technicien qualifié. La paroi/plafond doit pouvoir soutenir la hotte. Ne montez pas l'appareil sur des surfaces telles que carreaux, plâtre ou des surfaces en silicium. Montez-la au mur.

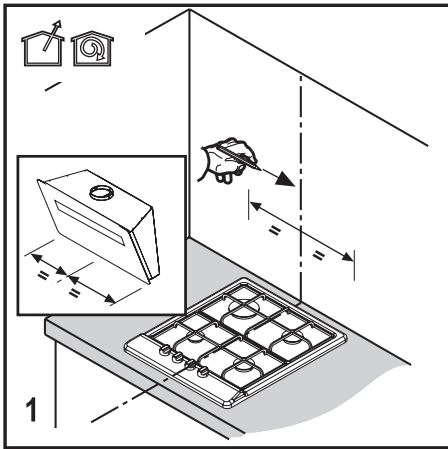
Si un panneau et/ou une paroi latérale et/ou des meubles existent, assurez suffisamment d'espace pour le montage de la hotte et vérifiez que le panneau de commande est facilement accessible.

## 3 Installation de votre appareil

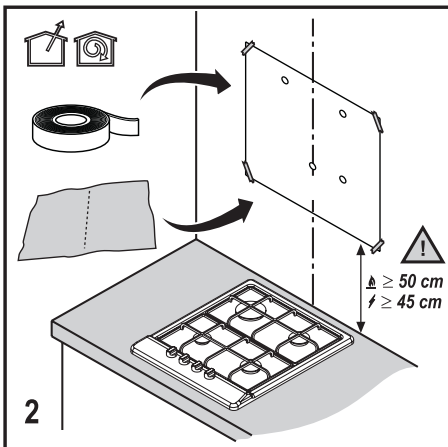
### 3.2.2 Préparation pour le montage de la hotte au mur

Les informations requises pour la préparation de l'emplacement de la hotte sont ci-après données.

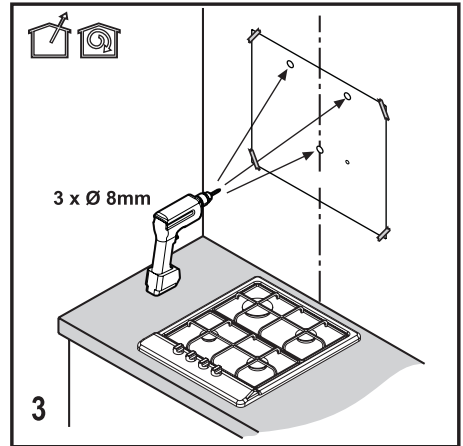
1. Marquez la surface sur laquelle le gabarit sera suspendu. **(Figure 1)**



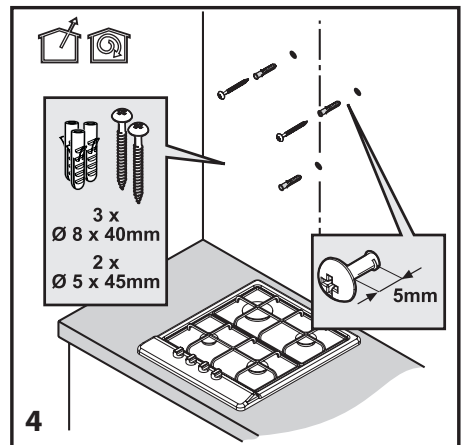
2. Fixez le gabarit de montage à l'emplacement d'installation prévu pour la hotte. **(Figure 2)**



3. Percez des trous de 8 mm de diamètre sur les points marqués. **(Figure 3)**



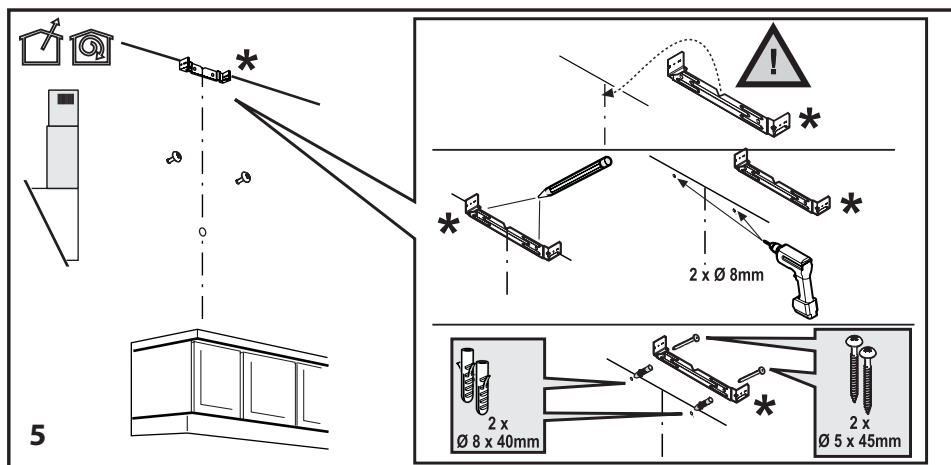
4. Enfoncez, à l'aide d'un marteau, 3 pièces de chevilles de 8X40 mm de diamètre dans les trous percés. Fixez 2 pièces de vis de suspension de 5x45 mm de diamètre aux chevilles martelées ci-dessus. Gardez un écart de 5 mm entre la tête de vis et le mur. **(Figure 4)**



## 3 Installation de votre appareil

### 3.2.3. Assemblage de la cheminée de la hotte

Percez des trous sur les points marqués avec un diamètre de 8 mm pour fixer la plaque de la cheminée. Enfoncez, à l'aide d'un marteau 2 pièces, des chevilles de 8X40 mm de diamètre dans les trous percés. Fixez 2 pièces de vis de suspension de 5x45 mm de diamètre aux chevilles martelées. **(Figure 5)**

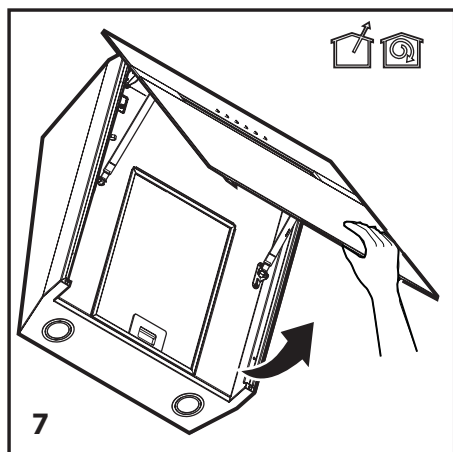




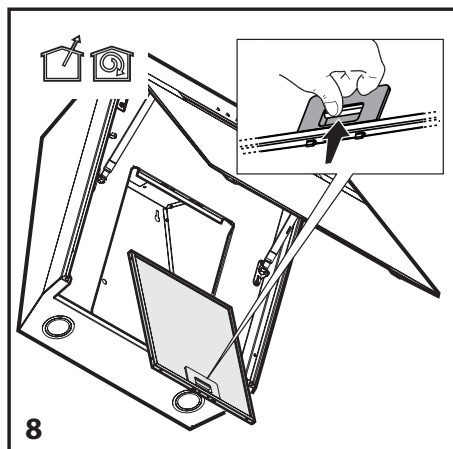
## 3 Installation de votre appareil

### 3.2.4 Montage de la hotte au mur

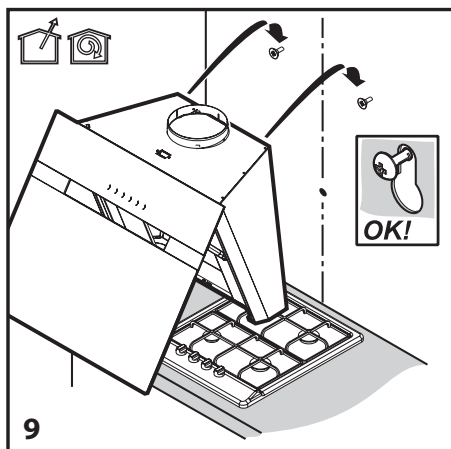
1. Retirez le panneau avant pour fixer la hotte au mur. **(Figure 7)**



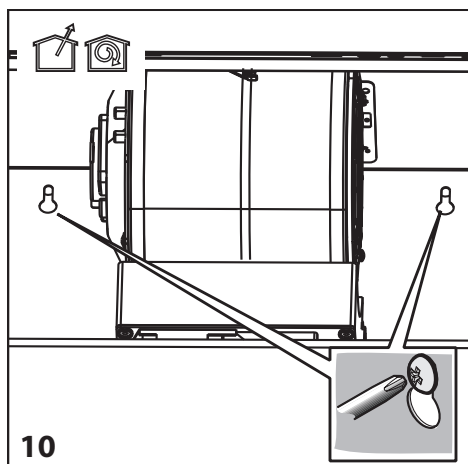
2. Retirez les filtres. **(Figure 8)**



3. Placez la hotte de sorte que les vis correspondent aux têtes de vis. **(Figure 9)**

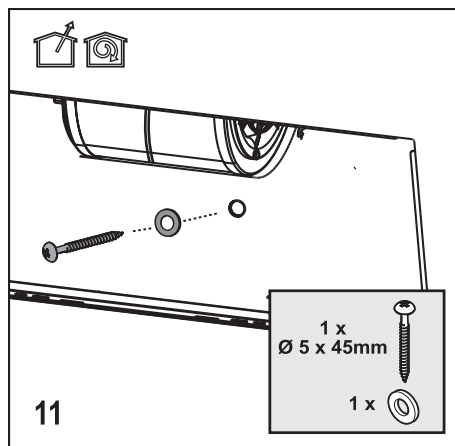


4. Serrez les vis pour fixer la hotte. **(Figure 10)**

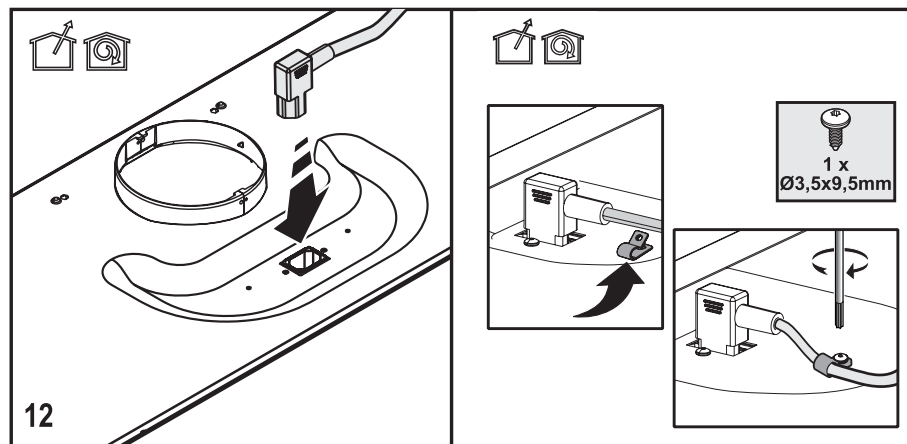


### 3 Installation de votre appareil

5. Pour fixer la hotte, utilisez des rondelles et serrez-les à l'aide des vis de 5X45 mm de diamètre. **(Figure 11)**

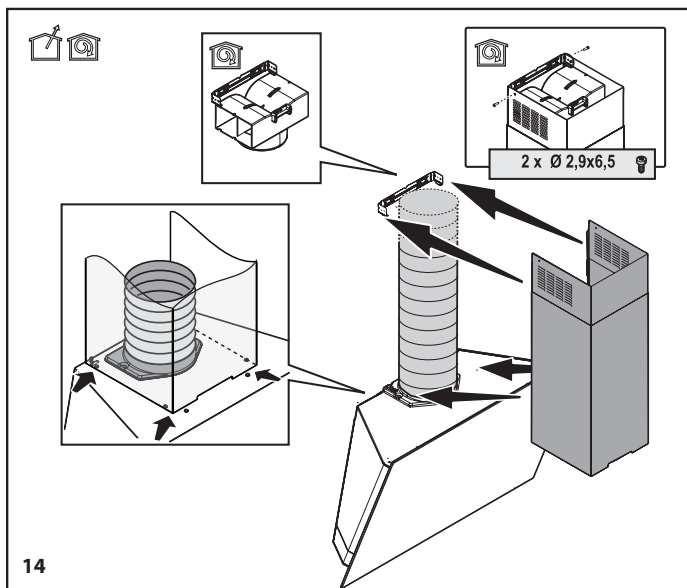
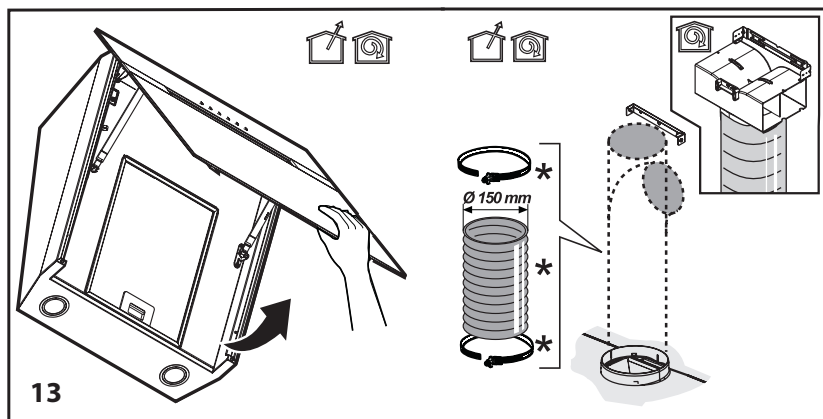


6. Branchez le cordon d'alimentation. Utilisez des vis de 3,5x9,5 mm de diamètre pour fixer le câble. **(Figure 12)**



### 3 Installation de votre appareil

7. Placez le raccordement de la cheminée selon les figures. (**Figure 13, 14**)

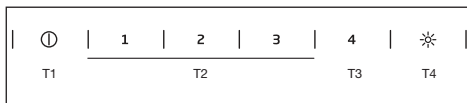


## 4 Fonctionnement de votre appareil

### 4.1 Fonctionnement

- Utilisez la puissance d'aspiration maximale en cas d'accumulation excessive de vapeur dans la cuisine. Il est recommandé d'allumer l'unité d'aspiration de la hotte 5 minutes avant de commencer la cuisine et de la laisser fonctionner pendant et 15 minutes après la cuisine.

### 4.2 Contrôles à niveaux



- T1.** Touche Marche/Arrêt. Si l'appareil est éteint, met l'appareil en marche. Met l'appareil en arrêt, quel que soit le niveau de vitesse.
- T2.** Fait fonctionner l'appareil aux niveaux de vitesse 1, 2 et 3.  
Fait fonctionner l'appareil au niveau de vitesse 1. Le témoin LED 1 s'allume.  
Fait fonctionner l'appareil au niveau de vitesse 2. Le témoin LED 2 s'allume.  
Fait fonctionner l'appareil au niveau de vitesse 3. Le témoin LED 3 s'allume.
- T3.** fait fonctionner l'appareil au niveau de vitesse 4 pendant 5 minutes. Alors que l'appareil est en fonctionnement dans l'un des niveaux (1, 2, 3), si cette touche est enfoncée, le témoin LED de la vitesse actuelle s'immobilise et le témoin LED de la vitesse 4 clignote. Après 5 minutes, le témoin LED du niveau de vitesse 4 s'éteint et l'appareil quitte le mode Vitesse maximale. Si la touche de niveau de vitesse 4 est enfoncée avant la fin des 5 minutes, l'appareil quitte le mode de vitesse maximale.
- T4.** Touche Marche /Arrêt de l'ampoule. Appuyez sur cette touche de manière brève pour allumer/éteindre l'ampoule. Appuyez et maintenez-la enfoncée pendant plus de 1 seconde pour sélectionner l'un des 5 niveaux de luminosité.

### 4.3 Alarme du filtre à graisse

Le clignotement du témoin LED 1 avertit l'utilisateur du nettoyage du filtre métallique. Lorsque cette alarme survient, il est temps de nettoyer le filtre à graisse. Appuyez et maintenez la touche Marche /Arrêt pendant 3 secondes pour réinitialiser l'avertissement pendant que le produit fonctionne. Le témoin LED 1 arrête de clignoter.

### 4.4 Alarme du filtre à graisse

Le produit est livré avec l'alarme de filtre à charbon désactivée. Appuyez et maintenez enfoncées les touches 1 et 2 pendant 3 secondes pour activer l'avertissement de nettoyage du filtre à charbon avec l'appareil à l'arrêt. D'abord le témoin LED 1, puis les témoins LED 1 et 2 s'allument et indiquent que l'avertissement est activé. Appuyez et maintenez enfoncées les touches 1 et 2 pendant 3 secondes pour désactiver l'avertissement avec l'appareil à l'arrêt. D'abord les témoins LED 1 et 2, puis le témoin LED 1 s'allument et indiquent que l'avertissement est désactivé.

Le clignotement du témoin LED 2 avertit l'utilisateur du nettoyage du filtre à charbon. Appuyez et maintenez la touche Marche /Arrêt pendant 3 secondes pour réinitialiser l'avertissement pendant que le produit fonctionne.



Si les avertissements du filtre métallique et du filtre à charbon sont activés simultanément, réinitialisez séparément pour chaque avertissement.

### 4.5 Utilisation efficace de l'énergie :

- Lors du fonctionnement de la hotte, ajustez le niveau de vitesse en fonction de l'intensité de l'odeur et des vapeurs, afin d'éviter une consommation inutile d'énergie.
- Utilisez l'appareil à des vitesses basses dans des conditions normales (1-2) et à une vitesse élevée (3-4) en cas d'augmentation des odeurs et des vapeurs.
- Les ampoules sur la hotte sont destinées à éclairer la zone de cuisson. Si vous les utilisez pour éclairer la pièce ou la cuisine, cela entraînera une consommation d'énergie inutile et produira un éclairage insuffisant.

## 5 Nettoyage et entretien

### 5.1 Nettoyage

- Avant le nettoyage et l'entretien, débranchez l'appareil ou mettez le commutateur principal à la position Arrêt, ou encore déconnectez/éteignez le fusible qui alimente la hotte.
- La hotte doit être nettoyée régulièrement (au minimum avec la même fréquence d'entretien des filtres à graisse), à l'intérieur comme à l'extérieur.
- Nettoyez la hotte avec un chiffon propre imbibé d'un mélange d'eau chaude et d'un détergent liquide neutre.
- N'utilisez pas de produits abrasifs. **NE NETTOYEZ PAS AVEC DE L'ALCOOL !**



**AVERTISSEMENT :** Le non respect des instructions fondamentales de nettoyage de la hotte et de remplacement des filtres peut provoquer un incendie.

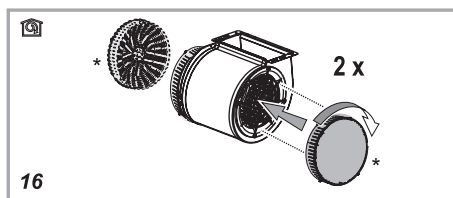
- Pour cette raison, nous vous recommandons de respecter les instructions de ce manuel.
- Le fabricant ne peut être tenu responsable des dommages subis par le moteur et de tout incendie causé par un entretien négligé ou résultant du non respect des recommandations de sécurité mentionnées ci-dessus.

### 5.2 Nettoyage du panneau en verre

- Nettoyez le panneau en verre et les surfaces d'aspiration dans le même intervalle que celui des filtres à graisse.
- Nettoyez la hotte à l'aide d'un chiffon humide et d'un détergent liquide neutre.
- Évitez d'utiliser des produits abrasifs. **NE NETTOYEZ PAS AVEC DE L'ALCOOL !**

### 5.3 Filtre à charbon (modèles avec filtre uniquement)

- Après une longue période d'utilisation, le filtre à charbon peut devenir plein selon le type de cuisson et de la régularité du nettoyage du filtre à huile.
- Dans tous les cas, remplacez la cartouche au minimum tous les quatre mois (ou lorsque le système d'indicateur de remplissage du filtre indique qu'il doit être remplacé, si disponible dans le modèle). **(Figure 16)**
- Le filtre à charbon ne peut être lavé et réutilisé.



### Filtre à charbon circulaire

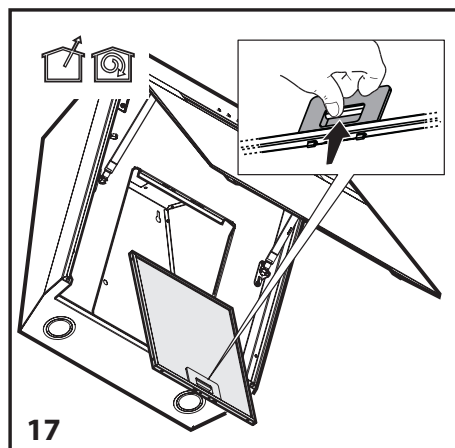
- Placez un filtre à côté des cages de protection de l'hélice du moteur, puis tournez la pièce dans le sens horaire.
- Pour démonter, tournez la pièce dans le sens antihoraire.

### 5.4 Filtre à graisse

- Il retient les particules résultant des procédures de cuisson.
- Nettoyez le filtre à graisse chaque mois (ou lorsque le système d'indicateur de remplissage du filtre - si disponible dans le modèle acheté - indique qu'il est temps) à l'aide d'un détergent sans acide, manuellement, ou dans un lave-vaisselle à basse température, et dans un court programme.
- Lorsque vous le nettoyez dans un lave-vaisselle, la couleur du filtre à graisse peut légèrement s'estomper, mais cela n'affecte pas sa capacité de filtrage.

## 5 Nettoyage et entretien

- Tirez le levier de relâchement à ressort pour retirer le filtre à graisse. **(Figure 17)**



### 5.5 Nettoyage

- Il est important de nettoyer votre hotte immédiatement après toute friture.
- Utilisez un chiffon doux imbibé de détergent liquide pour nettoyer la surface extérieure de votre hotte.
- N'utilisez jamais de produits abrasifs ou rugueux pour effectuer le nettoyage de votre appareil.
- Vous pouvez utiliser les produits de nettoyage disponibles sur le marché pour éliminer les graisses les plus tenaces, et autres en suivant les consignes sur le produit. Afin de ne pas érafler le corps en acier brossé, essuyez-le dans le sens de la trace de la brosse.
- N'utilisez pas de produits contenant de l'acide chlorhydrique, de l'eau de javel ou de poudres abrasives, afin de ne pas abîmer la surface de votre appareil. Utilisez un chiffon imbibé d'eau savonneuse ou un pulvérisateur de nettoyage spécial pour acier inoxydable pour de telles surfaces. Retirez le film protecteur de l'appareil.



**Mise en garde :** Vous risquez de provoquer un incendie si vous ne suivez pas les instructions relatives au nettoyage et au remplacement des filtres de votre hotte.



**Si vous souhaitez transporter l'appareil :**

Conservez l'emballage d'origine de l'appareil. Transportez l'appareil dans son emballage d'origine et suivez les indications de transport sur l'emballage d'origine.

**Si vous ne disposez pas de l'emballage d'origine :**

- Ne placez pas d'objets lourds sur la hotte.
- Protégez la surface extérieure contre les chocs.
- Emballez l'appareil de sorte qu'il ne soit pas endommagé pendant le transport.

### 5.6 Remplacement des ampoules



**AVERTISSEMENT :** Avant de toucher aux ampoules, assurez-vous qu'elles sont froides.



Contactez l'agent de service autorisé pour le remplacement des ampoules.

## Najprije pročitajte ovaj priručnik!

Poštovani kupci!

Hvala vam što ste izabrali proizvod tvrtke Beko. Nadamo se da ćete dobiti najbolje rezultate od vašeg proizvoda koji je proizveden s pomoću kvalitetne i moderne tehnologije. Zbog toga prije upotrebe proizvoda pažljivo pročitajte korisnički priručnik i druge popratne dokumente i čuvajte ih kao referencu za buduću upotrebu. Ako predajete proizvod nekome drugome, prosljedite toj osobi i korisnički priručnik. Sljedite sva upozorenja i informacije u korisničkom priručniku.

Ovaj se korisnički priručnik može primjenjivati i za nekoliko ostalih modela. Razlike među modelima eksplicitno su opisane u priručniku.

### Značenje simbola

Sljedeći se simboli upotrebljavaju u raznim dijelovima ovog priručnika:



Važne informacije i korisni savjeti o upotrebi.



**UPOZORENJE:** Upozorenja o opasnim situacijama vezanim za sigurnost života i imovine.



Upozorenje o strujnom udaru.



Upozorenje o vrućim površinama.



Ovaj je proizvod proizveden u ekološki prihvatljivim modernim postrojenjima bez štetnog utjecaja na okoliš.



# 1 Važne upute o sigurnosti i zaštiti okoliša

Ovaj dio sadrži upute o sigurnosti koje će vam pomoći u zaštiti od tjelesnih ozljeda ili materijalne štete. Nepoštivanje ovih uputa poništava odobreno jamstvo.

## 1.1 Općenita sigurnost

- Postavljanje i popravak uvijek mora obavljati samo ovlašteni servisni partner. Proizvođač nije odgovoran za štetu koju uzrokuju neovlaštene osobe.
- Uređaj nije namijenjen za uporabu od strane osoba (uključujući i djecu) s ograničenim tjelesnim, osjetilnim ili mentalnim sposobnostima te onih bez iskustva i znanja. Djeca moraju biti pod nadzorom da se ne bi igrala s uređajem.

### 1.1.1 Električna sigurnost

- Uvijek isključite uređaj iz struje tijekom postavljanja, održavanja, čišćenja i popravljanja.
- Ako je kabel napajanja neispravan, mora ga zamijeniti kvalificirana osoba koju je certificirao proizvođač, poslijeprodajni servis ili slično (po mogućnosti električar) ili osoba koju je opisao uvoznik.
- Radni napon je 220 do 240 volta.

- Ako je uređaj neispravan, ne bi se trebao upotrebljavati osim ako ga ne popravi ovlašteni servisni partner. Postoji rizik od strujnog udara!
- Nemojte usmjeravati kabel napajanja blizu plamenika. U suprotnome kabel napajanja može uzrokovati požar zbog toga što se lako topi.
- Nikada nemojte uključiti napu u struju prije nego što je postavljanje završeno.
- Za najbolji učinak, vanjski vodič ne smije biti duži od 4 m. Ne smije sadržavati više od 2 prava kuta (90°) i promjer mora biti najmanje  $\varnothing 120$  mm.
- Isključite uređaj iz struje prije bilo kakvih intervencija u unutrašnje dijelove uređaja.
- Upotrebljavajte uređaj samo s uzemljenom utičnicom.

### 1.1.2 Sigurnost proizvoda

- Možete upotrebljavati cijev promjera 120 mm ili 150 mm na spoju dimnjaka nape.
- Nemojte spajati s dimnjacima spojenima na peći, ispušnim vratilima ili dimnjacima s rastućim plamenom. Pridržavajte se zakonskih pravila o otpuštanju ispusnog zraka.

# 1 Važne upute o sigurnosti i zaštiti okoliša

- Visina niže površine nape i više površine peći/pećnice ne bi smjela biti manja od 50 cm za plinske plamenike i 45 cm za električne plamenike.
- Nemojte upotrebljavati napu bez aluminijskih filtra i nemojte uklanjati filtre tijekom rada.
- Nemojte dodirivati svjetiljke nape nakon što su radile duže vrijeme. Vruće svjetiljke mogu uzrokovati opekline na ruci.
- Izbjegavajte veliki plamen ispod uređaja. U suprotnome, čestice na uljnom filtru mogle bi se zapaliti i uzrokovati požar.
- Plamenike uključite nakon što ste na njih stavili tave ili lonce. U suprotnome, toplina koja se podiže može deformirati određene dijelove proizvoda.
- Isključite plamenike prije nego što uklonite tave ili lonce.
- Izbjegavajte zapaljive materijale ispod nape.
- Ulje se može zapaliti tijekom pečenja hrane. Zbog toga, pripazite na odjeću i zastore.
- Kuhalo nikada nemojte ostavljati bez nadzora kada pečete hranu; u suprotnome, vruće ulje može se zapaliti.
- Postoji rizik od požara ako ne čistite napu u određenim periodima.
- Kada čistite napu, budite pažljivi i nosite rukavice.
- Savjetujemo vam da upalite uređaj nekoliko minuta prije nego što počnete kuhati da biste povećali usisnu snagu. Tako ćete imati kontinuiranu i stabilnu usisnu snagu kada se podignu pare.
- Ostavite napu uključenu 15 minuta nakon kraja kuhanja ili pečenja da biste uklonili miris i pare od kuhanja u kuhinji.
- Kada se napa upotrebljava, pogotovo zajedno s plinskim plamenicima, pripazite da je okruženje provjetreno čistim zrakom.
- Pripazite da uređaj ne povežete na dimnjak koji upotrebljavaju neelektrični uređaji. (Npr.: Dimnjak grijača).
- Istovremeni rad bez poteškoća nape i drugog uređaja koji zahtjeva zrak moguć je samo kada se postigne niski tlak od 4 Pa (0,04 mbar) i tako se izbjegava ponovna apsorpcija plina. Ovo se može postignuti kada zrak dolazi iz nenatkrivenih otvora (vrata, prozora, ventilacijskih otvora ili drugih tehničkih mjera).

# 1 Važne upute o sigurnosti i zaštiti okoliša

Obavezno pripazite da je omogućen dovoljan protok zraka. Dimnjak koji omogućuje ulaz/izlaz zraka nije dovoljan za ovu svrhu.

## 1.1.3 Sigurnost djece

- Ambalaža je opasna za djecu. Držite ambalažu na sigurnom mjestu izvan dohvata djece.
- Električni uređaji opasni su za djecu. Držite proizvod dalje od dohvata djece. Nemojte dopustiti djeci da se igraju s uređajem.
- Ovim se uređajem mogu koristiti djeca od 8 godina ili starija i osobe koje imaju ograničene fizičke, osjetilne ili mentalne sposobnosti te nemaju dovoljno znanja i iskustva, ako ih se nadgleda u vezi sigurnosti ili ih se uputi da razumiju rizike upotrebe proizvoda. Djeca se ne bi smjela igrati s uređajem.
- **OPREZ:** Dostupni dijelovi mogu se zagrijati kada se upotrebljavaju s uređajem za kuhanje.

## 1.2 Namjena

- Uređaj je namijenjen za upotrebu u kućanstvu. Nije prikladan za komercijalnu upotrebu i ne smije se upotrebljavati u svrhe u koje nije namijenjen.

- Proizvođač nije odgovoran za štetu nastalu zbog neispravne upotrebe ili rukovanja.
- Vijek trajanja uređaja je 10 godina. To je razdoblje potrebno za dostupnost rezervnih dijelova za ispravno funkcioniranje proizvoda.
- **UPOZORENJE:** Ako vijke ne pričvrstite u skladu s uputama u priručniku, može doći do električne opasnosti.

# 1 Važne upute o sigurnosti i zaštiti okoliša

## 1.3 Sukladnost s direktivom WEEE i uklanjanje proizvoda



Ovaj je proizvod u skladu s direktivom EU WEEE (2012/19/EU). Proizvod nosi klasifikacijski simbol za otpad električne i elektroničke opreme (WEEE).

Proizvod je proizveden s pomoću visokokvalitetnih dijelova i materijala koji se mogu ponovo upotrebljavati i prikladni su za recikliranje. Na kraju vijeka trajanja, proizvod nemojte odlagati s uobičajenim kućanskim i ostalim otpadom. Odnosite ga u reciklažni centar za električnu i elektroničku opremu. Obratite se lokalnim vlastima za više informacija o ovim reciklažnim centrima.

## Sukladnost sa direktivom RoHS:

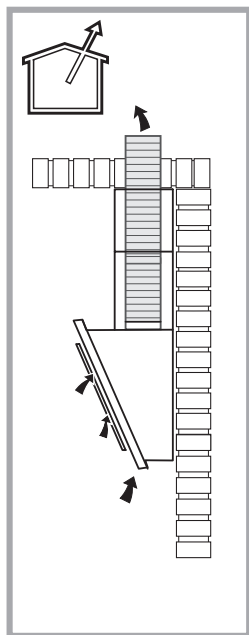
Proizvod koji ste kupili u skladu je s direktivom EU RoHS (2011/65/EU). Ne sadrži štetne i zabranjene materijale navedene u Direktivi.

## 1.4 Informacije o ambalaži

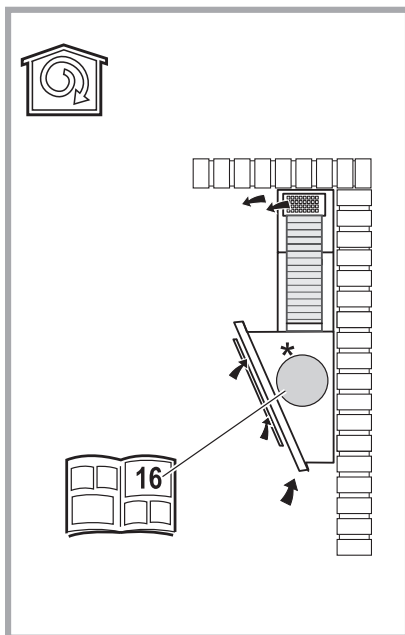


Ambalaža proizvoda izrađena je od materijala koji se može reciklirati, u skladu s državnim zakonodavstvom. Ambalažu nemojte odlagati zajedno s kućanskim ili drugim otpadom. Odnosite je u reciklažne centre određene lokalnim zakonodavstvom.

## 2 Tehničke specifikacije uređaja



Upotreba s dimnjakom



Upotreba s filtrom za drveni ugljen

Oznake na proizvodu ili vrijednosti navedene u drugim dokumentima isporučeni s proizvodom vrijednosti su koje su dobivene u laboratorijskim uvjetima prema relevantnim standardima. Te se vrijednosti mogu razlikovati ovisno o uvjetima rada i okoline proizvoda.

## 3 Postavljanje uređaja

Za postavljanje nape obratite se najbližem ovlaštenom servisnom partneru.

\*Za pripreme lokacije i električnih instalacija za proizvod odgovoran je kupac.



**UPOZORENJE:** Uklonite zaštitni sloj (ako postoji) na napi i površini dimnjaka nakon postavljanja.

Visina niže površine nape i više površine plamenika ne bi smjela biti manja od 50 cm za plinske plamenike i 45 cm za električne plamenike.

Električne veze trebao bi spojiti kvalificirani električar.

Postavite proizvod tako da možete lako pristupiti priključcima za struju (utikač, utičnica) nakon postavljanja.

Dimenzije su dane u mm.

### 3.1. Priključci za struju

- Glavni priključak za struju trebao bi biti u skladu s vrijednostima naznačenima na ploči unutar nape. Spojite napu u utičnicu u skladu s regulacijama struje s pomoću utikača i postavite je u dostupno područje. Nakon postavljanja; ako uređaj nema utikač (izravnu vezu s dovodom struje) ili ako je utikač izvan dohvata, upotrijebite dvopolan prekidač u skladu sa standardima, koji omogućuje isključivanje strujnog utikača u uvjetima vezanima za preveliku struju kategorije III.



**UPOZORENJE:** Prije nego što ponovo spojite napu s glavnim izvorom napajanja i provjerite radi li ispravno, provjerite je li glavni kabel napajanja ispravno spojen.

- Napa je opremljena posebnim kablom napajanja. Obratite se ovlaštenom servisnom partneru ako je kabel napajanja oštećen.

## 3.2. Postavljanje

### 3.2.1 Prije postavljanja:

- Provjerite odgovara li veličina kupljenog proizvoda veličini lokacije za postavljanje.
- Uklonite aktivni drveni ugljeni (\*) filter ako je isporučen (pogledajte također odgovarajući odlomak). On/oni bit će postavljeni samo ako želite upotrebljavati napu kao model s filtrom.
- Provjerite nalaze li se neki drugi predmeti (poput paketa vijaka (\*), garancijske kartice (\*) itd.) unutar nape i ako su dostupni, uklonite ih i držite ih na nekom drugom mjestu.
- Ako je to moguće, uklonite samostojeći ili klizni plamenik i odložite ga sa strane da biste mogli lakše dosegnuti stražnji zid/strop. Ako nije moguće, prekrive radnu površinu, plamenik ili pećnicu debelom zaštitnom krpom da biste ih zaštitili od oštećenja i prljavštine. Odaberite ravnu površinu za postavljanje uređaja. Prekrive površinu zaštitnom krpom i postavite sve prekrivene dijelove nape i hardvera u nju.
- Osim toga, provjerite je li utikač dostupan na montažnom dijelu nape (osim na dostupnom području nakon montaže nape) i provjerite je li moguće spojiti napu izvana (samo za modele s aspiracijom).
- Završite sve povezane radnje sa zidom (npr. uključivanje strujnog utikača i/ili otvaranje rupe za crijevo za pražnjenje).

Široki tipli dostupni su za fiksiranje nape na razne vrste zidova/stropova. Također, prikladnost materijala za određenu vrstu zida/stropa trebao bi potvrditi kvalificirani tehničar. Zid/strop trebao bi izdržati napu. Uređaj nemojte montirati na pločice, žbuku ili silikonske površine. Montirajte ga samo na zid.

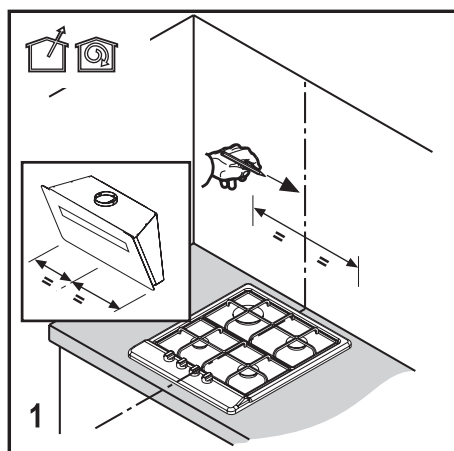
Ako postoji ploča i/ili bočni zid i/ili namještaj, provjerite da postoji dovoljno mjesta za montiranje nape i da je kontrolna ploča lako dostupna.

## 3 Postavljanje uređaja

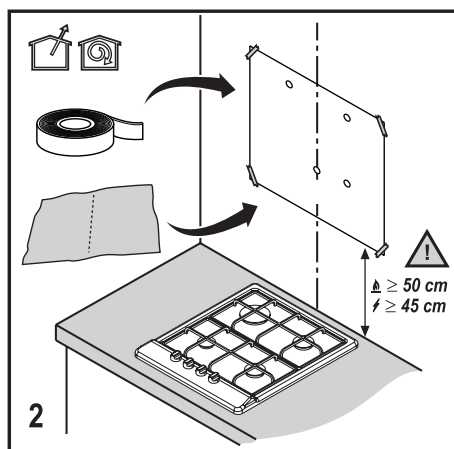
### 3.2.2 Priprema montaže nape na zid

Informacije potrebne za pripremu mjesta postavljanja nape nalaze se u nastavku.

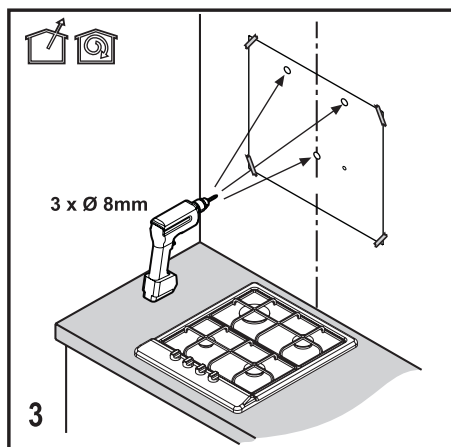
1. Označite površinu na kojoj će visjeti predložak za montažu. **(Slika 1)**



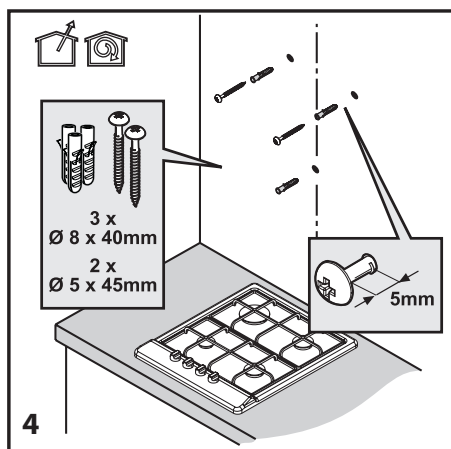
2. Pričvrstite predložak za montažu na mjesto postavljanja nape. **(Slika 2)**



3. Izbušite rupu promjera  $\varnothing 8$  mm na označenim mjestima. **(Slika 3)**



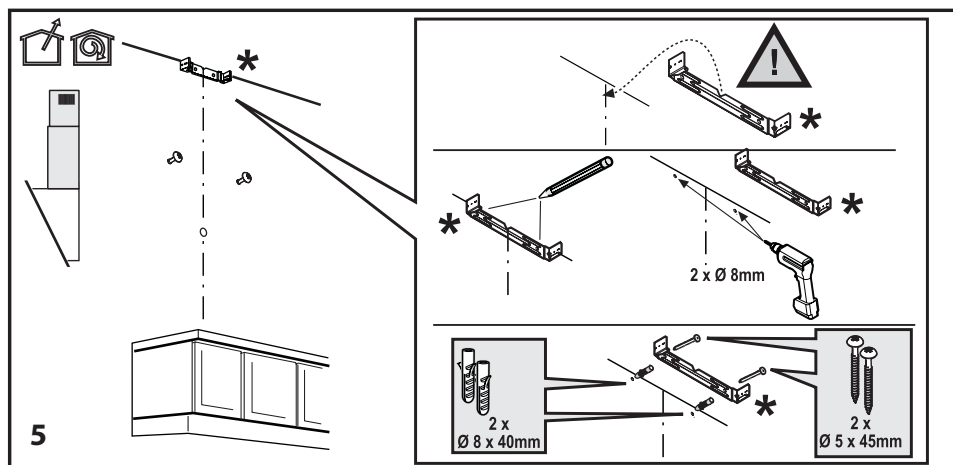
4. Čekićem zabite 3 komada tipli promjera  $\varnothing 8 \times 40$  mm u izbušene rupe. Zategnite 2 viseća vijka promjera  $\varnothing 5 \times 45$  mm na tiplje koje ste prethodno postavili u zid. Mora postojati razmak od 5 mm između glave vijka i zida. **(Slika 4)**



## 3 Postavljanje uređaja

### 3.2.3 Montaža dimnjaka nape

Izbušite rupe na označenim mjestima promjera  $\varnothing 8$  mm da biste pričvrstili ploču dimnjaka. Čekićem zabite 2 komada tipli promjera  $\varnothing 8 \times 40$  mm u izbušene rupe. Zategnite 2 viseća vijka promjera  $\varnothing 5 \times 45$  mm na tiple u zidu. (Slika 5)

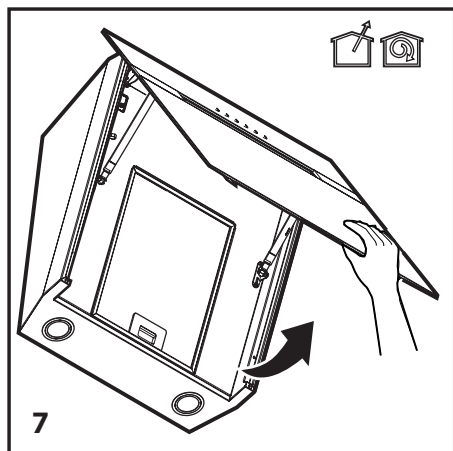




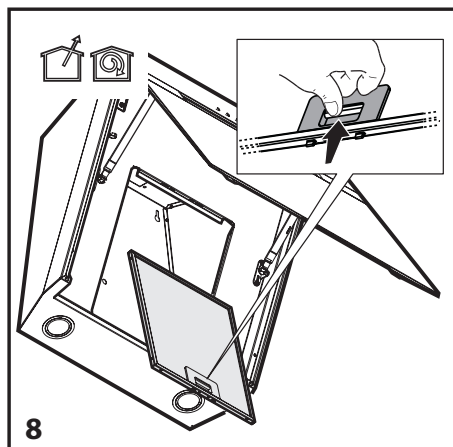
## 3 Postavljanje uređaja

### 3.2.4 Montaža nape na zid

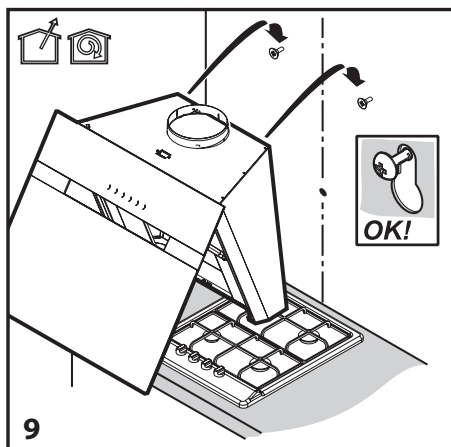
1. Uklonite prednju ploči da biste pričvrstili napu na zid. **(Slika 7)**



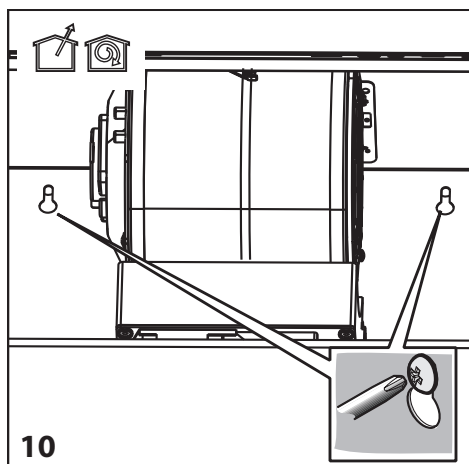
2. Uklonite filtre. **(Slika 8)**



3. Napu namjestite tako da vijci odgovaraju glavama vijaka. **(Slika 9)**

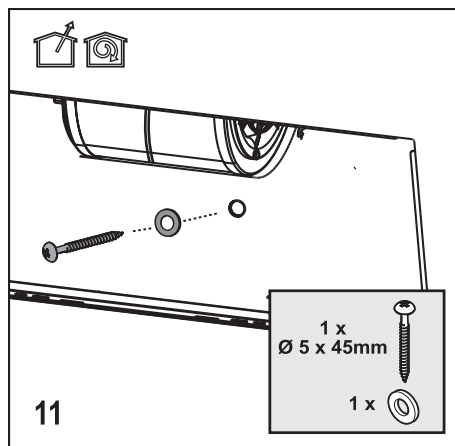


4. Zategnite vijke da biste pričvrstili napu. **(Slika 10)**

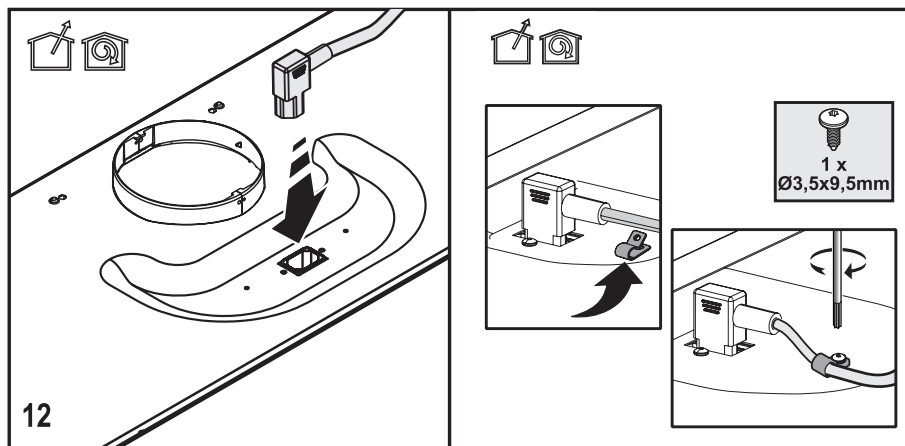


### 3 Postavljanje uređaja

5. Da biste pričvrstili napu, koristite se podložnim pločicama i zategnite s vijcima promjera  $\text{Ø}5 \times 45$ .  
(Slika 11)

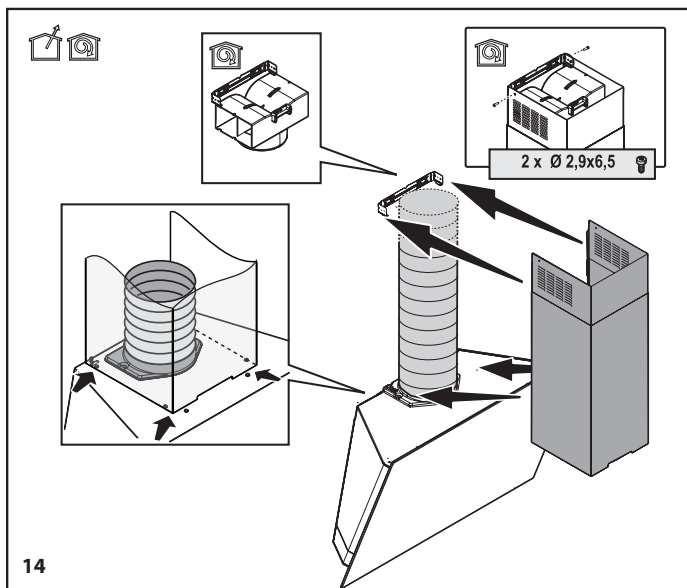
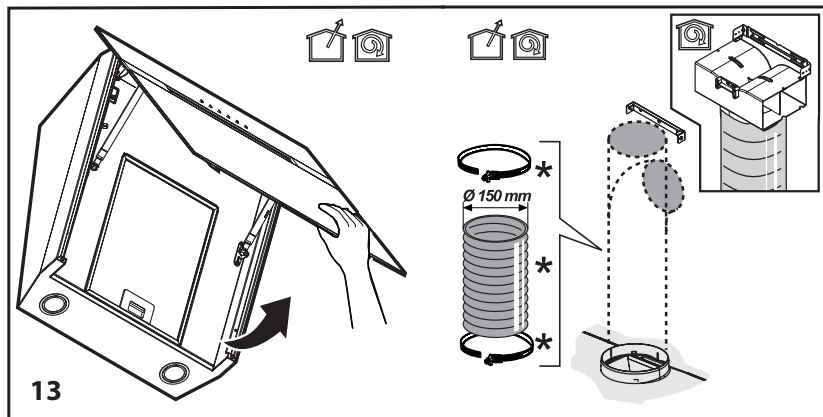


6. Uključite kabel napajanja. Upotrijebite vijak promjera  $\text{Ø} 3,5 \times 9,5$  da biste pričvrstili kabel.  
(Figure 12)



### 3 Postavljanje uređaja

7. Namjestite veze dimnjaka u skladu sa slikama.  
(Slika 13, 14)

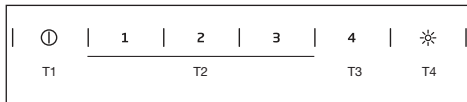


## 4 Upravljanje uređajem

### 4.1 Rad

- Upotrebljavajte visoku usisnu snagu ako u kuhinji nastanu prevelike pare. Preporučuje se napa za usis iznad plamenika uključiti 5 minuta prije početka kuhanja i da se ostavi uključena tijekom i 15 minuta nakon kuhanja.

### 4.2 Kontrola razina



- T1.** Tipka za uključivanje/isključivanje. Ako je uređaj isključen, uključuje se. Ako se uređaj nalazi u nekoj razini brzine, isključuje se.
- T2.** Uređaj radi u razinama brzina 1, 2 i 3.  
Uređaj radi u razini brzine 1. Uključuje se LED 1.  
Uređaj radi u razini brzine 2. Uključuje se LED 2.  
Uređaj radi u razini brzine 3. Uključuje se LED 3.
- T3.** Uređaj radi u razini brzine 4 tijekom 5 minuta. Kada uređaj radi u bilo kojoj razini (1, 2, 3), ako se pritisne ova tipka, LED brzine strujanja postat će stabilan i treperit će LED razreda brzine 4. Kada istekne 5 minuta, LED razine brzine 4 isključit će se i uređaj će izaći iz načina maksimalne brzine. Ako se tipka razine brzine 4 pritisne prije isteka 5 minuta, uređaj će izaći iz načina maksimalne brzine.
- T4.** Tipka za uključivanje/isključivanje svjetiljke. Nakratko pritisnite ovu tipku da biste uključili/isključili svjetiljku. Pritisnite i držite dulje od 1 sekunde da biste odabrali jednu od 5 razina svjetline.

### 4.3 Alarm filtra za masnoću

Treperenje LED 1 upozorava korisnika o čišćenju metalnog filtra. Kada se ovaj alarm oglasi, potrebno je očistiti filter za masnoću. Pritisnite i držite tipku za uključivanje/isključivanje 3 sekunde da biste upozorenje vratili na izvorne postavke kada uređaj radi. LED 1 prestat će treperiti.

### 4.4 Alarm filtra za drveni ugljen

Ovaj je proizvod isporučen s deaktiviranim alarmom filtra za drveni ugljen. Pritisnite i držite tipke 1 i 2 3 sekunde da biste aktivirali upozorenje o čišćenju filtra za drveni ugljen dok je uređaj isključen. Najprije se uključuje LED 1, a zatim LED 2 kao pokazatelji da je upozorenje aktivirano. Pritisnite i držite tipke 1 i 2 3 sekunde da biste deaktivirali upozorenje dok je uređaj isključen. Najprije se uključuje LED 1 i 2, a zatim se uključuje LED 1 kao pokazatelji da je upozorenje deaktivirano.

Treperenje LED 2 upozorava korisnika o čišćenju filtra za drveni ugljen. Pritisnite i držite tipku za uključivanje/isključivanje 3 sekunde da biste upozorenje vratili na izvorne postavke kada uređaj radi.



Ako su istovremeno aktivirana upozorenja za metalni filter i filter za drveni ugljen, vraćanje na izvorne postavke trebalo bi se provesti odvojeno za svako upozorenje.

### 4.5 Energetski učinkovita upotreba

- Dok je napa uključena, prilagodite razinu brzine prema intenzitetu neugodnih mirisa i para da biste spriječili nepotrebnu potrošnju energije.
- Upotrebljavajte niske brzine u uobičajenim uvjetima (1 - 2) i visoke brzine (3 - 4) kada je intenzitet mirisa i para visok.
- Svjetiljke na napi namijenjene su osvjetljavanju zone kuhanja. Njihova upotreba za osvjetljavanje ambijenta/kuhinje rezultirat će nepotrebnom potrošnjom energije i nedovoljnim osvjetljenjem.

## 5 Čišćenje i održavanje

### 5.1 Čišćenje

- Prije čišćenja i održavanja, isključite uređaj ili glavni prekidač ili olabavite/isključite električni osigurač nape.
- Napa bi se trebala redovito čistiti (najmanje istom frekvencijom kao što održavate i filtre za masnoću) iznutra i izvana.
- Očistite napu s pomoću čiste krpe namočene u mješavinu tople vode i neutralnog tekućeg deterdženta.
- Nemojte upotrebljavati abrazivne proizvode. **NEMOJTE UPOTREBLJAVATI ALKOHOL!**



**UPOZORENJE:** Ako ne slijedite osnovne upute za čišćenje nape i zamjenu filtra, može doći do požara.

- Zbog ovog razloga, preporučujemo da slijedite navedene upute.
- Proizvođač nije odgovoran za oštećenja motora ili za požar uzrokovan neispravnim održavanjem ili nepridržavanjem gore navedenih preporuka o sigurnosti.

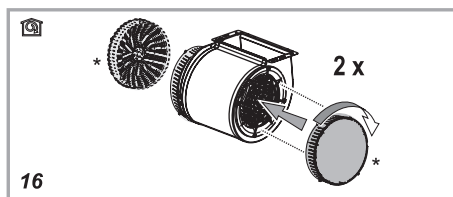
### 5.2 Čišćenje staklene ploče

- Staklena ploča i usisne površine trebali bi se čistiti u istim intervalima kao i filtri za masnoću.
- Očistite mokrom krpom i neutralnim deterdžentom.
- Izbjegavajte upotrebu abrazivnih proizvoda. **NEMOJTE ČISTITI S POMOĆU ALKOHOLA!**

### 5.3 Filtar za drveni ugljen (samo modeli s filtrom)

- Nakon dugog perioda upotrebe, filtari za drveni ugljen mogu se napuniti ovisno o vrsti kuhanja te o tome čisti li se uljni filtari redovito.

- U svakom slučaju, uložak bi se trebao zamijeniti svaka četiri mjeseca (ili kada sustav pokazatelja napunjenosti filtra pokaže da se filtari treba zamijeniti, ako je dostupan u tom modelu). **(Slika 16)**
- Filtar za drveni ugljen ne može se oprati i ponovo upotrebljavati.



### Kružni filtari za drveni ugljen

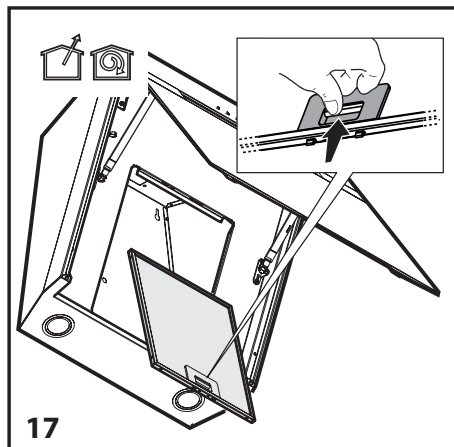
- Postavite jedan filtari pored zaštitnog kaveza propelera motora, a zatim taj dio okrenite u smjeru kazaljke na satu.
- Za demontažu, okrenite dio suprotno od smjera kazaljke na satu.

### 5.4 Filtar za masnoću

- Zadržava čestice masnoće uzrokovane procesom kuhanja.
- Filtar za masnoću trebao bi se čistiti mjesečno (ili sustav pokazatelja napunjenosti filtra - ako je dostupan u kupljenom modelu - pokazuje kada je vrijeme za to) s pomoću deterdženta koji ne sadrži kiseline, ručno ili u perilici za suđe na niskoj temperaturi i u kratkom programu.
- Pri pranju u perilici za suđe, boja filtra za masnoću možda će malo izbljediti, ali to ne utječe na njegov kapacitet filtriranja.

## 5 Čišćenje i održavanje

- Povucite elastičnu ručicu za otpuštanje da biste uklonili filter za masnoću. (Figure 17)



### 5.5 Čišćenje

- Posebno je važno da ne zaboravite očistiti napu odmah nakon prženja.
- Upotrebljavajte meku krpu namočenu u tekući deterdžent za čišćenje vanjskih površina nape.
- Za čišćenje nikada nemojte upotrebljavati abrazivne materijale ili materijale koji mogu ogrepsi površinu.
- Možete upotrebljavati komercijalno dostupna sredstva koja uklanjaju tvrdokornu masnoću itd. slijedeći upozorenja na proizvodu. Da ne biste ogreblili brušeno čelično kućište, brišite u smjeru traga brušenja.
- Nemojte upotrebljavati sredstva za čišćenje koja sadrže solne kiseline, izbjeljivač ili abrazivne praške da biste održali površinsku kvalitetu proizvoda. Upotrebljavajte krpu namočenu u vodu sa sapunom ili posebni sprej za čišćenje nehrđajućeg čelika za površine od nehrđajućeg čelika. Uklonite zaštitnu foliju na uređaju.



**Oprez :** Možete uzrokovati požar ako ne slijedite upute o čišćenju i zamjeni filtra na napu.



#### Ako prevozite uređaj:

Zadržite originalnu ambalažu uređaja. Prevezite uređaj u originalnoj ambalaži i slijedite oznake za prijevoz na originalnoj ambalaži.

### Ako nemate originalnu ambalažu:

- Nemojte stavljati teške objekte na napu.
- Zaštitite vanjsku površinu od udara.
- Zapakirajte proizvod da se ne bi oštetio tijekom prijevoza.

### 5.6 Zamjena svjetiljke



**UPOZORENJE:** Prije nego što dođirnete žarulje, provjerite jesu li se ohladile.



Obratite se ovlaštenom servisnom partneru za zamjenu svjetiljke.

## Leggere per prima cosa questo manuale!





Gentili Clienti!

Grazie per aver scelto un prodotto Beko. Speriamo che Lei riesca ad ottenere i risultati migliori da questo prodotto, realizzato con tecnologia di alta qualità e all'avanguardia. Pertanto, legga questo intero manuale utente e tutti gli altri documenti allegati con attenzione prima di utilizzare il prodotto e lo conservi come riferimento per usi futuri. Se passa il prodotto ad altre persone, dia loro anche questo manuale utente. Segua tutte le avvertenze e le informazioni del manuale utente.

Ricordi che questo manuale utente può anche essere applicato a molti altri modelli. Le differenze tra i modelli sono descritte esplicitamente nel manuale.

### Significato dei simboli

I seguenti simboli sono utilizzati in diverse sezioni del presente manuale:

	Informazioni importanti e suggerimenti utili sull'utilizzo.
	<b>AVVERTENZA:</b> Avvertenze di situazioni pericolose relative alla sicurezza della vita e della proprietà.
	Avvertenza per shock elettrico.
	Avvertenza di superfici calde.



Questo prodotto è stato prodotto in moderni impianti rispettosi dell'ambiente, senza causare danni alla natura.

Questa sezione contiene istruzioni di sicurezza che consentono di prevenire il pericolo di lesioni personali o di danni materiali. L'inosservanza di queste istruzioni invalida la garanzia accordata.

## 1.1 Sicurezza generale

- Far sempre eseguire le procedure di installazione e riparazione dall'agente autorizzato per l'assistenza. Il produttore non sarà considerato responsabile dei danni derivanti da persone non autorizzate.
- Questo apparecchio non è concepito per l'utilizzo da parte di persone (compresi i bambini) con ridotte capacità fisiche, sensoriali o mentali o mancata esperienza o conoscenze. I bambini devono essere controllati per assicurarsi che non giochino con l'apparecchio.

### 1.1.1 Sicurezza elettrica

- Scollegare sempre il prodotto dalla rete durante le procedure di installazione, manutenzione, pulizia e riparazione.

- Se il cavo di alimentazione è guasto, questo deve essere sostituito da una persona qualificata, certificata dal produttore, servizio post-vendita o simile (preferibilmente un elettricista) o una persona descritta dall'importatore.
- La tensione di funzionamento va da 220 a 240 volt.
- In caso di guasti all'apparecchio, non utilizzarlo a meno che non venga riparato da un agente autorizzato per l'assistenza. C'è il rischio di shock elettrico!
- Non instradare il cavo vicino al piano cottura. Altrimenti il cavo di alimentazione potrebbe provocare un incendio poiché si scioglie facilmente.
- Non collegare la cappa prima che di aver completato l'installazione.
- Per ottenere le prestazioni migliori, il conduttore esterno non deve essere più lungo di 4 m. Non deve contenere più di 2 angoli perpendicolari (90°) e il diametro deve essere min.  $\varnothing 120$  mm.
- Scollegare l'apparecchio dalla rete prima di qualsiasi intervento alle parti interne dello stesso.
- Usare l'apparecchio solo con una presa con messa a terra.



## 1.1.2 Sicurezza del prodotto

- Si può utilizzare un tubo con un diametro di 120 mm o 150 mm per il collegamento del tubo della cappa.
  - Non eseguire collegamenti ai tubi collegati a piani cottura, tubi di sfianto o tubi con fiamme alte. Rispettare le norme previste dalle autorità per lo scarico dell'aria di sfianto.
  - L'altezza tra la superficie inferiore della cappa e la superficie superiore di piano cottura/forno non deve essere inferiore a 50 cm per i fornelli a gas e 45 cm per i fornelli elettrici.
  - Non utilizzare la cappa senza i filtri di alluminio e non rimuovere i filtri durante il funzionamento.
  - Non toccare mai le lampadine della cappa dopo averle utilizzate a lungo. Le lampadine calde possono ustionare la mano.
  - Evitare fiamme alte sotto il prodotto. Altrimenti particelle sul filtro dell'olio possono bruciare e portare a un incendio.
  - Accendere il piano cottura dopo aver posizionato pentole o padelle sullo stesso.
- Altrimenti il calore in aumento potrebbe deformare alcune parti del prodotto.
- Spegnerne il piano cottura prima di rimuovere pentole o padelle.
  - Evitare materiali infiammabili sotto la cappa.
  - L'olio può prendere fuoco mentre si frigge. Pertanto fare attenzione a panni e tende.
  - Non lasciare mai la cucina senza supervisione mentre si frigge; l'olio bollente potrebbe provocare un incendio.
  - C'è rischio di incendio se la cappa non viene pulita secondo gli intervalli specificati.
  - Prestare un'attenzione estrema e indossare i guanti quando si pulisce la cappa.
  - Consigliamo di avviare l'apparecchio qualche minuto prima di cominciare a cucinare, per accrescere la forza di aspirazione. Così si avrà un'aspirazione continua e stabile quando si creano i vapori.
  - Utilizzare la cappa per 15 minuti ancora dopo aver completato la cottura o la frittura per rimuovere il vapore e l'odore della cottura dalla cucina.

- Quando la cappa è in uso, soprattutto con la cucina a gas, assicurare che l'ambiente sia ventilato con aria pulita.
- Prestare attenzione a non collegare l'apparecchio ai tubi utilizzati da dispositivi non elettrici. (Per es.: tubo del riscaldatore).
- Il funzionamento simultaneo e corretto della cappa e di un altro dispositivo che richiede aria è possibile solo quando si raggiunge una bassa pressione di 4 Pa (0,04 mbar), evitando così il riassorbimento del gas. Ciò può essere possibile solo facendo arrivare l'aria da aperture scoperte (porta, finestra, aperture di ventilazione o altre misure tecniche). Prestare la massima attenzione alla fornitura di un flusso d'aria sufficiente. Un tubo che fornisce ingresso/scarico di aria non è sufficiente allo scopo.
- I materiali elettrici sono pericolosi per i bambini. Tenere i bambini lontani dall'apparecchio. I bambini non devono giocare con l'apparecchio.
- Il presente apparecchio può essere utilizzato da bambini a partire da 8 anni di età e da persone con capacità fisiche, sensoriali o mentali limitate o che non hanno conoscenze ed esperienza, a condizione che siano sotto supervisione per un uso sicuro del prodotto o siano stati istruiti e comprendano i potenziali pericoli derivanti dall'uso del prodotto. I bambini non devono giocare con l'apparecchio.
- **CAUTELA:** Le parti accessibili potrebbero surriscaldarsi quando si utilizza un dispositivo di cottura.

## 1.1.3 Sicurezza dei bambini

- I materiali di imballaggio sono pericolosi per i bambini. Tenere i materiali di imballaggio in un luogo sicuro, fuori dalla portata dei bambini.
- Questo apparecchio è concepito per uso domestico. Non è idoneo a un uso commerciale e non deve essere usato oltre il suo uso previsto.
- Il produttore non sarà responsabile per danni provocati da uso o gestione non corretti.

## 1.2 Uso previsto

# Istruzioni importanti sulla sicurezza e l'ambiente

- La vita di servizio dell'apparecchio è 10 anni. Questo è il periodo previsto per la disponibilità delle parti di ricambio necessarie al funzionamento corretto del prodotto.
- **AVVERTENZA:** Se non si fissano le viti in conformità alle istruzioni fornite nel manuale possono causare pericoli elettrici.

## 1.3 Conformità con la direttiva RAEE e smaltimento dei rifiuti



Questo prodotto è conforme alla direttiva UE RAEE (2012/19/UE). Questo prodotto presenta un simbolo di classificazione per gli apparecchi elettrici ed elettronici (RAEE).

Questo prodotto è stato realizzato con parti e materiali di alta qualità che possono essere riutilizzati e sono adatti ad essere riciclati. Non smaltire il prodotto con normali rifiuti domestici o altri alla fine della vita di servizio. Portarlo ad un centro di raccolta per il riciclaggio di apparecchiature elettriche ed elettroniche. Consultare le autorità locali per conoscere quali sono i questi centri di raccolta.

## Conformità alla direttiva RoHS:

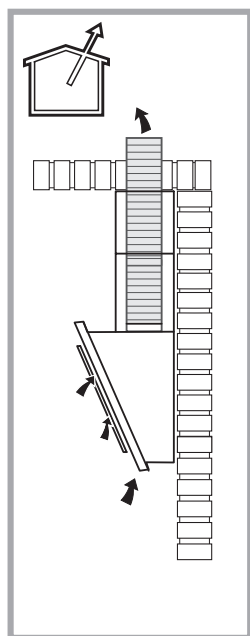
Il prodotto acquistato è conforme alla direttiva UE RoHS (2011/65/UE). Non contiene materiali dannosi e proibiti specificati nella Direttiva.

## 1.4 Informazioni di imballaggio

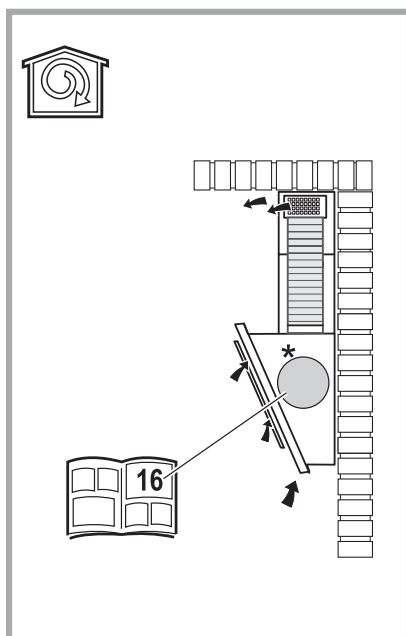


L'imballaggio del prodotto è fatto di materiali riciclabili in conformità con la normativa nazionale. Non smaltire i materiali di imballaggio con i rifiuti domestici o altri rifiuti. Portarli ai punti di raccolta per materiali di imballaggio previsti dalle autorità locali.

## 2 Specifiche tecniche dell'apparecchio



 Uso con tubo



 Uso con filtro carbone

I contrassegni sul prodotto o i valori dichiarati in altri documenti in dotazione con il prodotto sono valori ottenuti in condizioni di laboratorio secondo gli standard pertinenti. Questi valori potrebbero variare a seconda delle condizioni di funzionamento e ambientali del prodotto.

## 3 Installazione dell'apparecchio

Consultare l'agente autorizzato per l'assistenza per l'installazione della cappa.

\*La preparazione della posizione e l'installazione elettrica per il prodotto sono responsabilità del cliente.



**AVVERTENZA:** Rimuovere la pellicola protettiva (se presente) dalla cappa e dalla superficie del tubo dopo il montaggio.

L'altezza tra la superficie inferiore della cappa e la superficie superiore di piano cottura non deve essere inferiore a 50 cm per i fornelli a gas e 45 cm per i fornelli elettrici.

Far eseguire il collegamento elettrico da un elettricista qualificato.

Montare il prodotto in modo da poter raggiungere il collegamento elettrico (spina, presa) facilmente dopo il montaggio.

Le dimensioni sono date in mm.

### 3.1. Collegamento elettrico

• L'alimentazione elettrica di rete deve essere conforme ai valori forniti sulla targhetta all'interno della cappa. Collegare la cappa alla presa in conformità alle norme vigenti tramite una presa e posizionarla all'interno dell'area accessibile. Dopo l'installazione, se il dispositivo non ha una presa (collegamento di alimentazione alla rete diretta) o la presa è fuori portata, utilizzare un interruttore a doppio polo in linea con le norme, che consenta lo scollegamento della presa di corrente in circostanze relative alla sovracorrente di categoria III.



**AVVERTENZA:** Prima di ricollegare la cappa alla fonte di alimentazione principale e di controllare il funzionamento corretto, accertarsi che il cavo di alimentazione sia collegato correttamente.

- La cappa è dotata di uno speciale cavo di alimentazione. Contattare l'agente di assistenza autorizzato se il cavo di alimentazione è danneggiato.

## 3.2. Installazione

### 3.2.1 Prima di avviare l'installazione:

- Verificare che il prodotto acquistato abbia le dimensioni corrette per il luogo d'installazione.
- Rimuovere il filtro del carbone attivo (\*) se fornito (vedere il relativo paragrafo). Essi saranno installati solo se si desidera utilizzare la cappa come modello filtrato.
- Verificare che ci siano altri materiali (come confezione viti (\*), scheda di garanzia (\*), ecc.) forniti nella cappa e se disponibili, rimuoverli e tenerli da parte.
- Se possibile, rimuovere il piano cottura libero o scorrevole e tirare da un lato per raggiungere facilmente la parete / soffitto. Se non è possibile, coprire il ripiano, il piano cottura o il forno con un panno protettivo spesso per poterli proteggere da danni e polvere. Selezionare una superficie piatta per installare l'apparecchio. Coprire la superficie con un panno protettivo e posizionare tutte le parti a tettuccio della cappa e la minuteria nel panno.
- Inoltre, verificare se una presa è disponibile nell'area di montaggio della cappa (sull'area accessibile dopo il montaggio della cappa) e verificare se il collegamento della cappa all'esterno (solo per il modello con aspirazione) è possibile.

## 3 Installazione dell'apparecchio

- Terminare tutte le operazioni necessarie relative alla parete (ad es. collegamento spina di alimentazione e/o apertura di un foro per il tubo di scarico).

Per consentire il fissaggio della cappa su vari tipi di parete/soffitto sono disponibili tasselli larghi. Inoltre, la conformità dei materiali al tipo di parete/soffitto deve essere confermata da un tecnico qualificato. La parete/soffitto deve essere in grado di supportare la cappa. Non montare l'apparecchio su piastrelle, superfici di gesso o silicone. Montaggio solo su una parete.

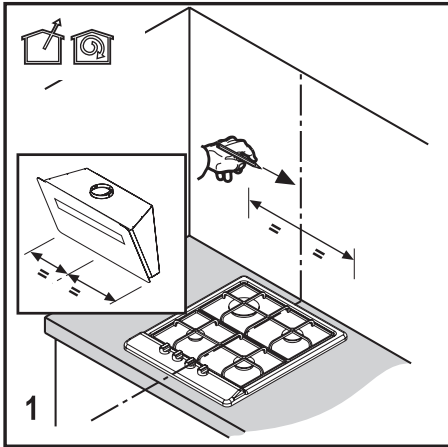
Se sono presenti un pannello e/o una parete laterale e/o arredi, verificare che ci sia spazio sufficiente per il montaggio della cappa e che il pannello di controllo sia facilmente accessibile.

## 3 Installazione dell'apparecchio

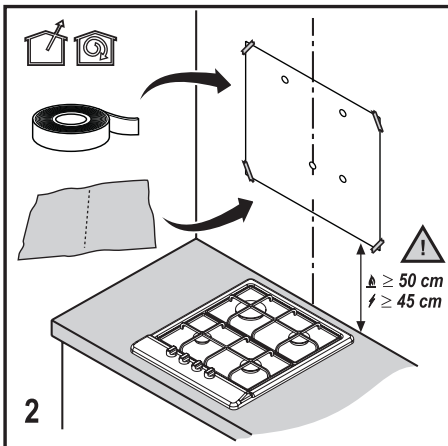
### 3.2.2 Preparazione del gruppo della cappa sulla parete

Le informazioni necessarie per la preparazione del pezzo di montaggio della cappa sono date di seguito.

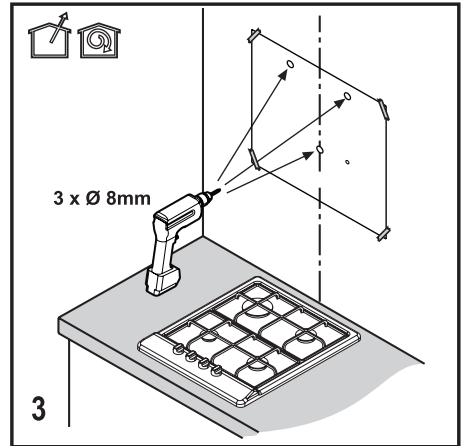
1. Marcare la superficie dove si deve appendere lo schema di montaggio. **(Figura 1)**



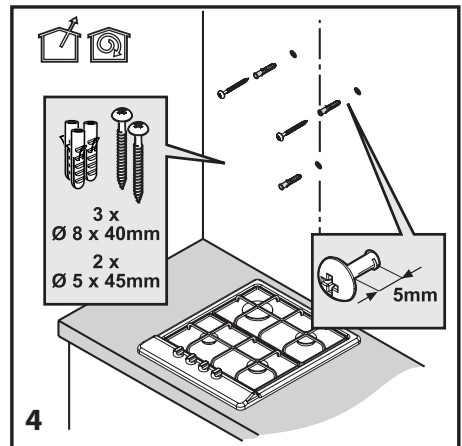
2. Fissare lo schema di montaggio sul pezzo di montaggio della cappa. **(Figura 2)**



3. Eseguire un foro con  $\varnothing 8 \text{ mm}$  sui punti segnati. **(Figura 3)**



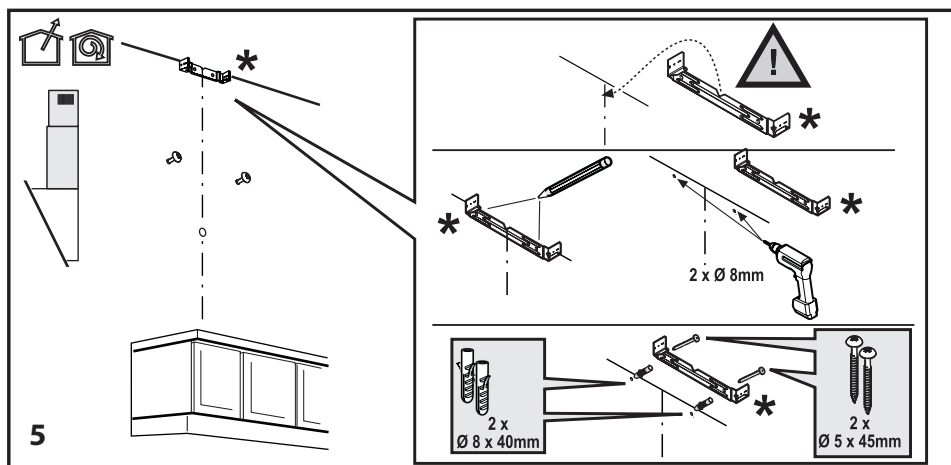
4. Martellare 3 tasselli da  $\varnothing 8 \times 40 \text{ mm}$  nei fori eseguiti. Avvitare 2 viti di aggancio da  $\varnothing 5 \times 45 \text{ mm}$  nei tasselli colpiti in precedenza con il martello. Deve esserci una distanza di 5 mm tra la testa della vite e la parete. **(Figura 4)**



## 3 Installazione dell'apparecchio

### 3.2.3 Montaggio del tubo della cappa

Eseguire i fori sui punti segnati con  $\varnothing 8$  mm per poter collegare la piastra del tubo. Martellare 2 tasselli da  $\varnothing 8 \times 40$  mm nei fori eseguiti. Avvitare 2 viti di aggancio da  $\varnothing 5 \times 45$  mm nei tasselli colpiti in precedenza con il martello. **(Figura 5)**

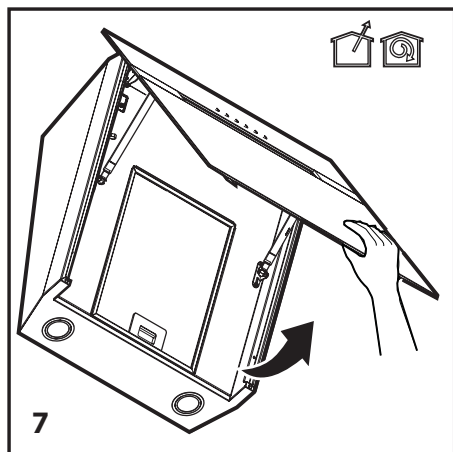




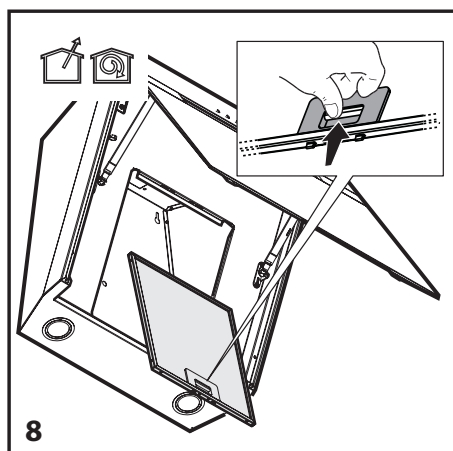
## 3 Installazione dell'apparecchio

### 3.2.4 Montaggio della cappa sulla parete

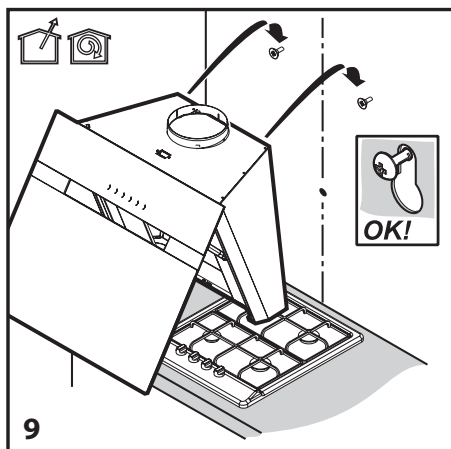
1. Rimuovere il pannello anteriore per collegare la cappa alla parete. **(Figura 7)**



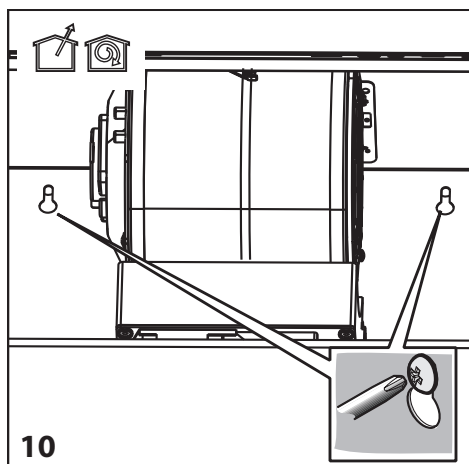
2. Rimuovere i filtri. **(Figura 8)**



3. Posizionare la cappa in modo che le viti corrispondano alle teste delle viti. **(Figura 9)**

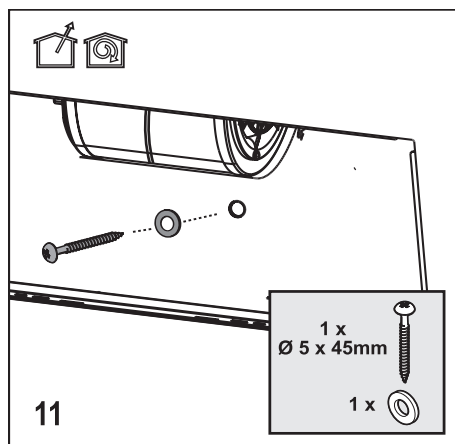


4. Serrare le viti per fissare la cappa. **(Figura 10)**

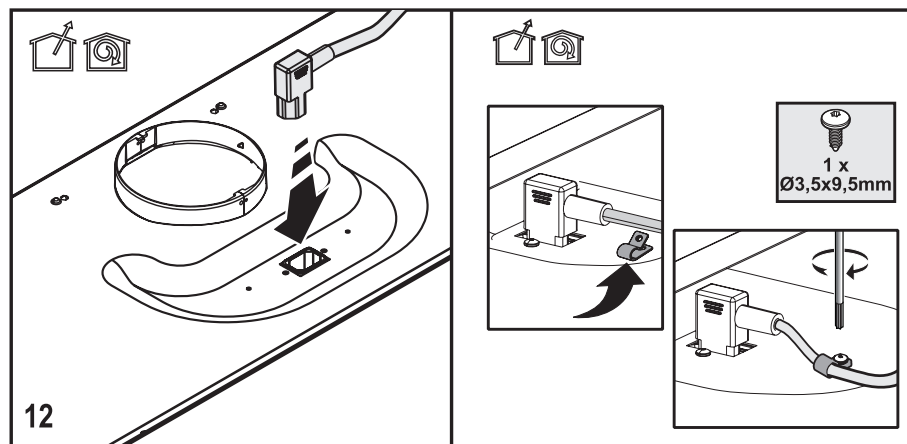


### 3 Installazione dell'apparecchio

5. Per poter fissare la cappa, utilizzare le rondelle e serrare le viti  $\varnothing 5 \times 45$ . **(Figura 11)**

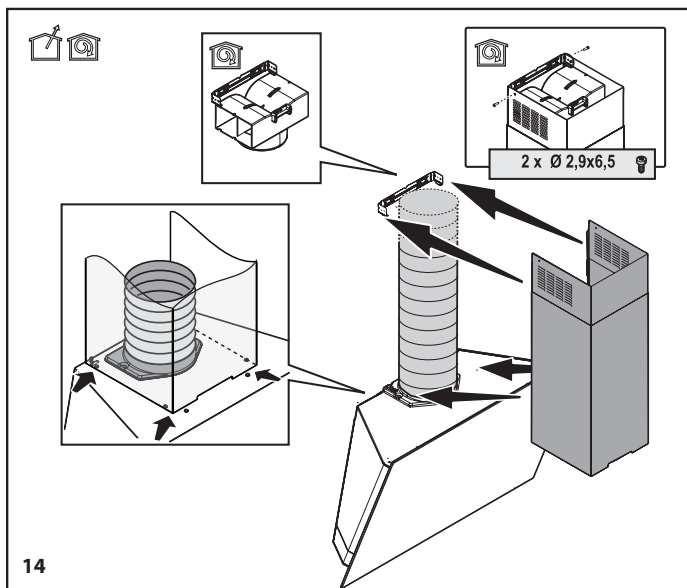
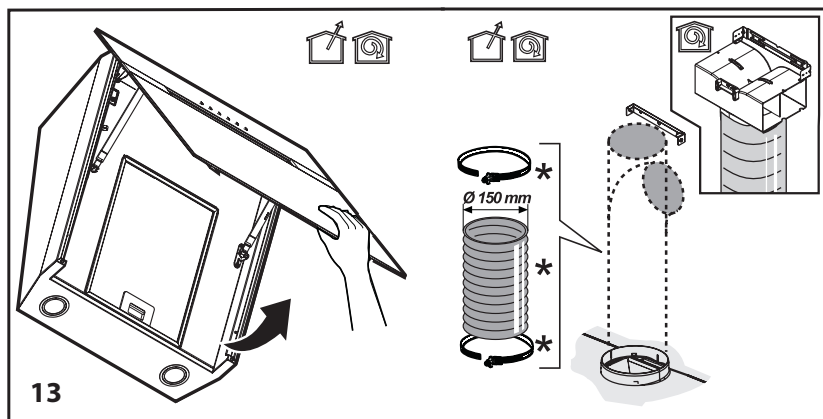


6. Collegare il cavo di alimentazione. Utilizzare la vite  $\varnothing 3,5 \times 9,5$  per fissare il cavo. **(Figura 12)**



### 3 Installazione dell'apparecchio

7. Posizionare il collegamento del tubo secondo le figure. **(Figura 13, 14)**

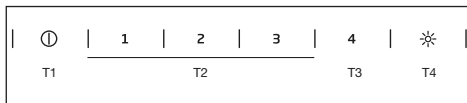


## 4 Funzionamento dell'apparecchio

### 4.1 Funzionamento

- Utilizzare un'alimentazione di aspirazione elevata, se in cucina si forma vapore eccessivo. Si consiglia di accendere l'unità di aspirazione a cappa per piano cottura 5 minuti prima di iniziare a cucinare e di lasciarla in funzione durante e per 15 minuti dopo la cottura.

### 4.2 Controllo con livelli



**T1.** Tasto ON/OFF. Se l'apparecchio è OFF, accenderlo. Se l'apparecchio si trova a qualsiasi livello di velocità, spegnerlo.

**T2.** Aziona l'apparecchio in livelli di velocità 1, 2 e 3.

Aziona l'apparecchio a livello di velocità 1. Il LED 1 si accende.

Aziona l'apparecchio a livello di velocità 2. Il LED 2 si accende.

Aziona l'apparecchio a livello di velocità 3. Il LED 3 si accende.

**T3.** Aziona l'apparecchio a livello di velocità 4 per 5 minuti. Mentre l'apparecchio è in funzione a qualsiasi livello (1, 2, 3) se questo tasto è premuto, il LED di velocità della corrente diventa fisso e il LED di velocità 4 lampeggia. Al termine dei 5 minuti, il LED livello di velocità 4 si spegne e il prodotto esce dalla modalità di velocità max. Se il tasto del livello di velocità 4 viene premuto prima che i 5 minuti siano terminati, il prodotto esce dalla modalità di velocità max.

**T4.** Tasto lampadina ON/OFF. Premere rapidamente questo tasto per accendere/spegnere la lampadina. Premere e tenere premuto per più di 1 secondo per selezionare uno dei 5 livelli di luminosità.

### 4.3 Allarme filtro del grasso

Il lampeggiamento del LED 1 avverte l'utente per la pulizia del filtro di metallo. Quando si attiva questo allarme, è il momento di pulire il filtro del grasso. Premere e tenere premuto il tasto ON/OFF per 3 secondi per resettare l'avvertimento mentre il prodotto è in funzione. Il LED 1 smette di lampeggiare.

### 4.4 Allarme filtro del carbone

Il prodotto è fornito con l'allarme filtro carbone disattivato. Premere e tenere premuti i tasti 1 e 2 per 3 secondi per attivare l'avvertenza di pulizia del filtro carbone, mentre il prodotto è OFF. Prima il LED 1 e poi il LED 1 e 2 si accendono e indicano che l'avvertenza è attivata. Premere e tenere premuti i tasti 1 e 2 per 3 secondi per disattivare l'avvertenza mentre il prodotto è OFF. Prima il LED 1 e 2, poi il LED 1 si accendono e indicano che l'avvertenza è disattivata.

Il lampeggiamento del LED 2 avverte l'utente per la pulizia del filtro di carbone. Premere e tenere premuto il tasto ON/OFF per 3 secondi per resettare l'avvertimento mentre il prodotto è in funzione.



Se entrambe le avvertenze del filtro metallo e carbone sono attivate simultaneamente, il reset deve essere eseguito separatamente per ogni avvertimento.

### 4.5 Utilizzo ad efficienza energetica:

- Quando si utilizza la cappa, regolare il livello di velocità secondo l'intensità dell'odore e del vapore per evitare un consumo energetico non necessario.
- Utilizzare basse velocità in condizioni normali (1-2) e velocità elevate (3-4) quando odore e vapori sono più intensi.
- Le lampadine sulla cappa sono concepite per illuminare la zona di cottura. Utilizzarle per illuminare l'ambiente/la cucina provoca un consumo energetico non necessario, nonché illuminazione inadeguata.

## 5 Pulizia e manutenzione

### 5.1 Pulizia

- Prima di pulizia e manutenzione, scollegare l'apparecchio o spegnere l'interruttore principale o allentare/spegnere il fusibile che alimenta la cappa.
- La cappa deve essere pulita regolarmente (almeno con la stessa frequenza con cui si esegue la manutenzione dei filtri del grasso) internamente ed esternamente.
- Pulire la cappa utilizzando un panno pulito inumidito con una miscela di acqua calda e detergente liquido neutro.
- Non utilizzare prodotti abrasivi. **NON UTILIZZARE ALCOOL!**



**AVVERTENZA:** L'inosservanza delle istruzioni di pulizia di base della cappa e della sostituzione dei filtri può causare un incendio.

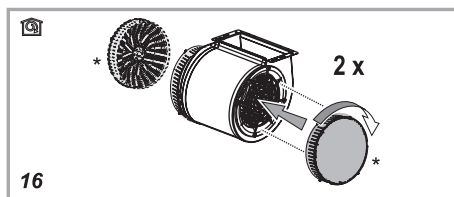
- Per questo motivo, consigliamo di seguire le seguenti istruzioni.
- Il produttore non può essere ritenuto responsabile dei danni al motore e da incendi causati da manutenzione inadeguata o che non seguono le raccomandazioni di sicurezza menzionate sopra.

### 5.2 Pulizia del pannello di vetro

- Le superfici del pannello di vetro e di aspirazione devono essere pulite con lo stesso intervallo valido per i filtri del grasso.
- Pulire con un panno umido e un detergente liquido neutro.
- Evitare di utilizzare prodotti abrasivi. **NON PULIRE CON ALCOOL!**

### 5.3 Filtro del carbone (solo modelli filtrati)

- Dopo un lungo periodo d'uso, il filtro del carbone può dipendere completamente dal tipo di cottura e se il filtro dell'olio viene pulito regolarmente.
- In ogni caso, la cartuccia deve essere sostituita almeno ogni quattro mesi (o quando il sistema indicatore di riempimento del filtro indica che il filtro deve essere sostituito, se disponibile nel modello). **(Figura 16)**
- Il filtro del carbone non può essere lavato e riutilizzato.



### Filtro del carbone circolare

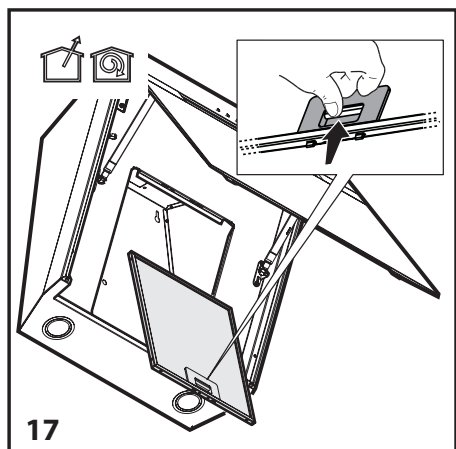
- Posizionare un filtro vicino alle gabbie di protezione del propulsore a motore, quindi ruotare la parte in senso orario.
- Per lo smontaggio, ruotare la parte in senso antiorario.

### 5.4 Filtro del grasso

- Ritiene le particelle di grasso causate dal processo di cottura.
- Il filtro del grasso deve essere pulito mensilmente (o il sistema indicatore di riempimento del filtro, se disponibile nel modello acquistato, indica quando è il momento) utilizzando un detergente privo di acido a mano o in una lavastoviglie con una bassa temperatura e un programma breve.
- Se lavato in lavastoviglie, il colore del filtro del grasso può attenuarsi leggermente, ma ciò non influisce sulla capacità di filtraggio.

## 5 Pulizia e manutenzione

- Tirare la leva di sblocco a molla per poter rimuovere il filtro del grasso. **(Figura 17)**



### 5.5 Pulizia

- In particolare non trascurare di pulire la cappa subito dopo aver fritto.
- Utilizzare un panno morbido immerso in detersivo liquido per pulire la superficie esterna della cappa.
- Per la pulizia non utilizzare mai materiali abrasivi o che graffiano.
- Si possono utilizzare gli agenti per la pulizia disponibili in commercio per il grasso persistente, seguendo le avvertenze sul prodotto. Per non graffiare il corpo in acciaio spazzolato, pulire nella stessa direzione del disegno.
- Non utilizzare agenti per la pulizia contenenti acido cloridrico, candeggina o polveri abrasive per conservare la qualità superficiale del prodotto. Utilizzare un panno umido in acqua saponata o uno speciale spray per la pulizia in acciaio inox per le superfici in acciaio inox. Rimuovere la pellicola protettiva dell'apparecchio.



**Attenzione:** Se non si rispettano le istruzioni su pulizia e sostituzione dei filtri della cappa, è possibile che si inneschi un incendio.



#### Se è necessario trasportare l'apparecchio:

Conservare l'imballaggio originale dell'apparecchio. Trasportare l'apparecchio con il suo imballaggio originale e seguire i contrassegni relativi al trasporto sull'imballaggio originale.

#### Se non si ha la confezione originale:

- Non mettere oggetti pesanti sulla cappa.
- Proteggere la superficie esterna da colpi.
- Imballare il prodotto in modo che non si danneggi durante il trasporto.

### 5.6 Sostituzione delle lampadine



**AVVERTENZA:** Prima di toccare le lampadine, accertarsi che si sono raffreddate.



Contattare l'agente per l'assistenza autorizzato per la sostituzione della lampadina.

## Pirmiausia perskaitykite šią naudojimo instrukciją!

Gerb. Pirkėjau,

Ačiū, kad pasirinkote „Beko“ gaminį. Tikimės, kad šiuo gaminiu, kuris buvo pagamintas naudojant aukščiausios kokybės moderniausių technologijų, liksite patenkinti. Prieš pradėdami naudoti šį prietaisą, perskaitykite visą šią naudojimo instrukciją bei prie jos pridėjimus dokumentus ir juos pasilikite, jei prireiktų ateityje. Jeigu atiduotumėte šį gaminį kam nors kitam, kartu atiduokite ir šią naudojimo instrukciją. Vadovaukitės visais šiose naudojimo instrukcijose pateikiamais įspėjimais ir informacija.

Atsiminkite, kad ši naudojimo instrukcija taip pat gali būti taikytina keletui kitų modelių. Modelių skirtumai yra aiškiai aprašyti šiose instrukcijose.

### Ženklių reikšmės

Įvairiuose šių instrukcijų skyriuose naudojami šie simboliai:



Svarbi informacija ir naudingi patarimai, kaip naudoti prietaisą.



**ĮSPĖJIMAS:** Įspėjimai apie pavojingas situacijas, keliančias pavojų gyvybei ir gadinančias turtą.



Įspėjimas dėl elektros smūgio.



Įspėjimas dėl įkaitusių paviršių.



Šis prietaisas pagamintas moderniose ekologiškose gamyklose, nedarant žalos gamtai.

Šiame skyriuje pateikiama saugos informacija, kuri padės išvengti susižeidimų ar materialinės žalos. Jeigu nesivadovausite šiais nurodymais, suteikta garantija nebegalios.

## 1.1 Bendrieji saugos reikalavimai

- Montavimo ir remonto darbus turi atlikti įgaliotasis priežiūros atstovas. Gamintojas neatsako už gedimus, kurie atsiranda dėl neįgaliotų asmenų veiksmų.
- Šis prietaisas nėra skirtas naudoti asmenims (įskaitant vaikus) su susilpnėjusiais fiziniais, jutimais ar protiniais gebėjimais arba turinčiais per mažai patirties ir žinių. Visada prižiūrėkite vaikus, kad jie nežaistų su šiuo prietaisu.

### 1.1.1 Elektros sauga

- Atlikdami prietaiso montavimo, priežiūros, valymo ir remonto darbus, visuomet ištraukite kištuką iš elektros tinklo lizdo.
- Sugedusį maitinimo kabelį turi pakeisti kvalifikuotas gamintojo sertifikuotas asmuo, priežiūros po pardavimo padalinio darbuotojas (geriausiai elektrikas) arba importuotojo nurodytas asmuo.

- Maitinimo įtampa yra nuo 220 iki 240 voltų.
- Sugedusio prietaiso negalima naudoti tol, kol jo nepataiso įgaliotasis priežiūros atstovas. Gali nutrenkti elektrą!
- Prie pat garų rinktuvų netieskite maitinimo kabelių. Kadangi maitinimo kabelis lengvai išsilydo, jis gali sukelti gaisrą.
- Kol nebaigėte montuoti garų rinktuvo, tol nejunkite jo prie elektros tinklo.
- Kad prietaisas kuo geriau veiktų, išorinio ortakio ilgis turi būti ne didesnis kaip 4 m. Jis negali turėti daugiau kaip 2 statmenas (90°) alkūnes ir jo skersmuo turi būti ne mažesnis kaip 120 mm.
- Prieš ką nors darydami su vidinėmis prietaiso dalimis, jį atjunkite nuo elektros tinklo.
- Prietaisą junkite tik prie įžeminto elektros lizdo.

### 1.1.2 Gaminio sauga

- Prie garų rinktuvo movos galite prijungti 120 mm arba 150 mm skersmens vamzdį.



- Ortakio nejunkite prie krosnių dūmtraukių, oro ištraukiamųjų kanalų ar dūmtraukių, kuriuose gali atsirasti liepsna. Laikykitės atitinkamų institucijų nustatytų taisyklių dėl išmetamojo oro išleidimo.
  - Atstumas tarp garų rinktuvo apatinio paviršiaus ir viryklės (krosnies) viršutinio paviršiaus dujinį kaitlenčių atveju turi būti ne mažesnis kaip 50 cm, o elektrinių kaitlenčių atveju – 45 cm.
  - Garų rinktuvo nenaudokite be aliumininių filtrų ir, jam veikiant, nenuiminkite šių filtrų.
  - Nelieskite ką tik ilgai veikusio garų rinktuvo lempučių. Karštos lemputės gali nudeginti rankas.
  - Po gaminiu venkite didelės liepsnos. Kitaip gali užsiliepsnoti riebalų filtre susikaupę medžiagos ir sukelti gaisrą.
  - Kaitlentes įjunkite tik tada, kai ant jų yra keptuvės ar puodai. Kitaip, dėl kylančio karščio gali deformuotis tam tikros gaminio dalys.
  - Prieš nuimdami keptuves ar puodus, kaitlentes išjunkite.
  - Po garų rinktuvu nenaudokite lengvai užsiliepsnojančių medžiagų.
  - Kepant maisto produktus, aliejus gali užsiliepsnoti.
- Todėl saugokite drabužius ir užuolaidas.
- Kepdami maisto produktus, nepalikite viryklės be priežiūros, nes įkaitęs aliejus gali sukelti gaisrą.
  - Jeigu garų rinktuvo nevalysite nurodytais laiko tarpais, gali kilti gaisras.
  - Valydami garų rinktuvą, būkite ypač atsargūs ir užsimaukite pirštines.
  - Kad padidėtų įsiurbimo galia, prietaisą patariame įjungti kelios minutės prieš pradėdant gaminti maistą. Tada, pradėjus kilti garams, jau turėsite tolygią ir stabilią įsiurbimo galią.
  - Kad iš virtuvės būtų pašalintas kvapas ir maisto ruošimo garai, baigę virti ar kepti, garų rinktuvui leiskite padirbėti dar 15 minučių.
  - Kai garų rinktuvas veikia, ir ypač kartu su dujinėmis viryklėmis, į patalpą turi patekti šviežias oras.
  - Atkreipkite dėmesį, kad prietaisas nebūtų prijungtas prie ortakio, kuriuos naudoja ne elektriniai prietaisai. (Pvz.: šildytuvo dūmtraukio).

- Garų rinktuvas ir kitas prietaisas, kuriam reikia oro, vienu metu sklandžiai gali veikti tik tuo atveju, kai susidaro ne didesnis kaip 4 Pa (0,04 mbar) neigiamas slėgis ir taip išvengiama atbulinio dujų įsiurbimo. Tai galima pasiekti tada, kai oras patenka per atviras angas (duris, langus, ventiliacines angas ar kitus techninius įrenginius). Ypatingą dėmesį atkreipkite į tai, kad tiekiamo oro srautas būtų pakankamas. Tam neužtenka ortakio, per kurį įeina (išeina) oras.

## 1.1.3 Vaikų sauga

- Pakuotės medžiagos vaikams yra pavojingos. Pakuotės medžiagas laikykite saugioje vietoje, kur jų negalėtų pasiekti vaikai.
- Elektriniai prietaisai vaikams yra pavojingi. Neleiskite vaikų prie prietaiso. Neleiskite vaikams žaisti su prietaisu.
- Vaikai nuo 8 metų ir asmenys, turintys ribotas psichines, jutimines ar protines galimybes arba neturintys patirties bei žinių, šiuo prietaisu gali naudotis su sąlyga, jeigu juos prižiūri arba paaiškina, kaip saugiai naudoti šį gaminį, ir jie supranta galimus su gaminiu naudojimui susijusius pavojus.

Vaikams negalima žaisti su šiuo prietaisu.

- **ATSARGIAI:** Naudojant kartu su maisto ruošimo prietaisais, tam tikros dalys, prie kurių galima prisiliesti, gali įkaisti.

## 1.2 Naudojimas pagal paskirtį

- Šis prietaisas skirtas buitiniam naudojimui. Jis nepritaikytas naudoti komerciniu tikslu ir jo negalima naudoti kitaip nei pagal paskirtį.
- Gamintojas neatsako už jokių nuostolių, kurie atsiranda dėl netinkamo prietaiso naudojimo ar netinkamo elgesio su juo.
- Prietaiso tarnavimo trukmė yra 10 metų. Tai laikotarpis, kurio metu yra tiekiamos tinkamam prietaiso veikimui užtikrinti reikalingos atsarginės dalys.
- **ĮSPĖJIMAS:** Jeigu varžtai nebus įsukti taip, kaip nurodyta instrukcijoje, gali kilti su elektra susiję pavojai.

## 1.3 Atitiktis EEJA direktyvai ir atitarnavusio gaminio sutvarkymas



Šis gaminys atitinka ES EEJA direktyvą (2012/19/ES). Šis gaminys žymimas elektros ir elektroninės įrangos atliekų (EEJA) simboliu.

Šis gaminys pagamintas iš aukštos kokybės medžiagų ir dalių, kurias galima perdirbti ir pakartotinai panaudoti. Atitarnavusio gaminio neišmeskite kartu su įprastinėmis buitinėmis atliekomis. Atiduokite jį į surinkimo punktą, kad elektros ir elektroninė įranga būtų perdirbta. Artimiausio surinkimo punkto adresą sužinosite vietos savivaldybėje.

## Atitiktis RoHS direktyvai:

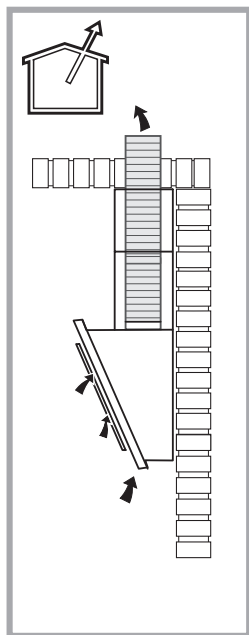
Jūsų įsigytas gaminys atitinka ES RoHS direktyvą (2011/65/ES). Jame nėra direktyvoje nurodytų kenksmingų ar draudžiamų medžiagų.

## 1.4 Informacija apie pakuotę

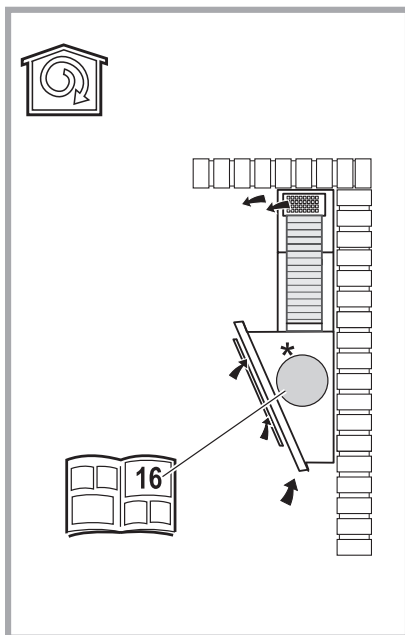


Šio gaminio pakuotė yra pagaminta iš perdirbti tinkamų medžiagų ir tai padaryta, atsižvelgiant į mūsų šalies teisės aktus. Neišmeskite pakavimo medžiagų kartu su buitinėmis arba kitomis atliekomis. Jas atiduokite į vietinių valdžios institucijų nurodytus pakavimo medžiagų surinkimo punktus.

## 2 Techniniai prietaiso duomenys



Naudojimas su ortakiu



Naudojimas su angliniu filtru

Ant gaminio esantys ženklai ar kituose, su gaminiu pateikuose dokumentuose esančios reikšmės – tai laboratorinės sąlygomis, remiantis atitinkamais standartais, gautos reikšmės. Šios reikšmės gali kisti, priklausomai nuo gaminio naudojimo ir aplinkos sąlygų.

## 3 Prietaiso montavimas

Dėl garų rinktuvo montavimo kreipkitės į artimiausią įgaliojimą atsako klientas.

\*Už prietaisui skirtos vietos ir elektros instaliacijos paruošimą atsako klientas.



**ĮSPĖJIMAS:** Po montavimo nuo garų rinktuvo ir ortakio paviršiaus nuimkite apsauginę plėvelę (jeigu yra).

Atstumas tarp garų rinktuvo apatinio paviršiaus ir kaitlentės viršutinio paviršiaus dujinių kaitlenčių atveju turi būti ne mažesnis kaip 50 cm, o elektrinių kaitlenčių atveju – 45 cm.

Elektrą turi prijungti kvalifikuotas elektrikas.

Gaminį sumontuokite taip, kad po montavimo galėtumėte lengvai pasiekti elektros jungtį (kištuką, lizdą).

Matmenys nurodyti mm.

### 3.1. Elektros prijungimas

- Elektros tiekimo tinklo parametrų reikšmės turi atitikti garų rinktuvo viduje esančioje plokštelėje nurodytas reikšmes. Garų rinktuvą prie vietinius reikalavimus atitinkančio ir lengvai pasiekiamoje vietoje esančio elektros lizdo prijunkite per kištuką. Po montavimo: jeigu prietaisas neturi kištuko (prie elektros tinklo prijungtas tiesiogiai) arba kištukas yra nepasiekiamas, naudokite standartus atitinkantį dvipolį jungiklį, kuris leistų atjungti nuo elektros tinklo, kai susidaro su III viršsrovio kategorija susiję aplinkybės.



**ĮSPĖJIMAS:** Prieš prijungdami garų rinktuvą prie elektros tinklo ir patikrinkite, ar jis gerai veikia, įsitinkite, kad teisingai prijungtas maitinimo kabelis.

- Garų rinktuvas turi specialų maitinimo kabelį. Jeigu maitinimo kabelis pažeistas, kreipkitės į įgaliojimą atsako klientas.

## 3.2. Montavimas

### 3.2.1 Prieš pradėdami montuoti

- Patikrinkite, ar įsigyto gaminio matmenys atitinka montavimo vietos matmenis.
- Jeigu yra įdėtas, išimkite aktyvintųjų anglių (\*) filtrą (taip pat žr. atitinkamą skyrelį). Jį (juos) reikia įdėti tik tuo atveju, jeigu garų rinktuvą norite naudoti kaip filtrą.
- Patikrinkite, ar garų rinktuve nėra įdėta kitų daiktų (pvz., varžtų paketo (\*), garantinio talono (\*) ir t. t.) ir, jeigu yra, išimkite juos ir kur nors pasidėkite.
- Jeigu įmanoma, atjunkite laisvai pastatomą ar kilnojamą kaitlentę ir patraukite į šoną, kad galėtumėte lengvai prieiti prie galinės sienos (lubų). Jeigu neįmanoma, kad apsaugotumėte nuo sugadinimo ir nešvarumų, storu apsauginiu audiniu užtieskite stalviršį, kaitlentę ar viryklę. Prietaisui montuoti pasirinkite plokščią paviršių. Paviršių uždenkite apsauginiu audiniu ir ant jo išdėstykite visas uždengtas garų rinktuvo dalis.
- Be to, patikrinkite, ar garų rinktuvo montavimo vietoje yra elektros lizdas (be to, sumontavus garų rinktuvą, jis turi būti prieinamas), ar garų rinktuvą bus galima sujungti su lauku (tuo atveju, jei garų rinktuvas veiks ištraukiamuoju režimu).
- Iki galo atlikite visas su siena susijusias operacijas (pvz., elektros lizdo įrengimą ir (arba) išleidimo vamzdžiui skirtos angos padarymą).

Kad garų rinktuvą būtų galima pritvirtinti prie įvairių tipų sienų (lubų), yra daug įvairių kaiščių. Medžiagos atitikimą sienos (lubų) tipui papildomai turi patvirtinti kvalifikuotas technikas. Siena (lubos) turi atlaikyti garų rinktuvą. Garų rinktuvo netvirtinkite prie plytelių, gipso ar silikono dangos. Jį tvirtinkite tik prie sienos.

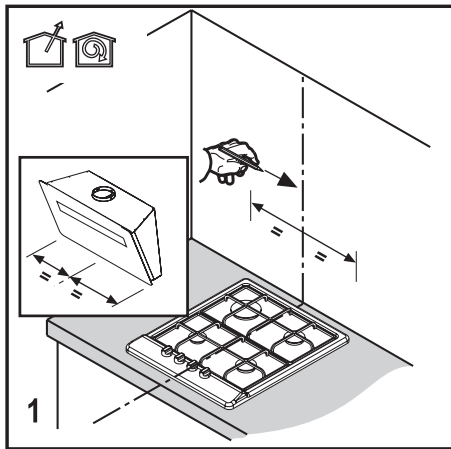
Jeigu yra plokštė ir (arba) šoninė siena ir (arba) baldas, patikrinkite, ar yra pakankamai vietos garų rinktuvui tvirtinti, ar bus galima lengvai prieiti prie valdymo skydelio.

## 3 Prietaiso montavimas

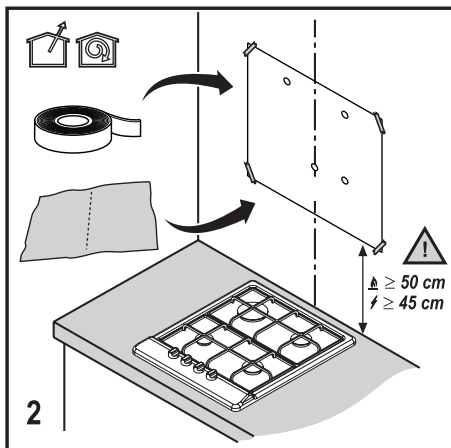
### 3.2.2 Pasiruošimas garų rinktuvą tvirtinti ant sienos

Toliau pateikta informacija, kurios reikia garų rinktuvo montavimo vietai paruošti.

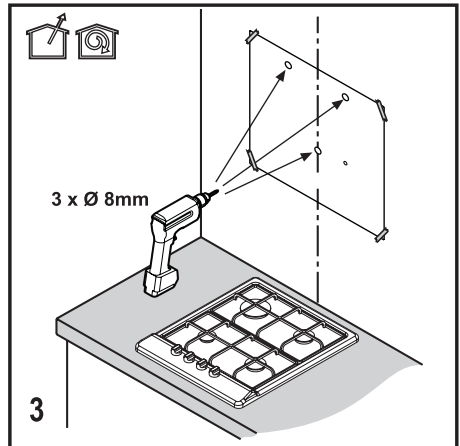
1. Pažymėkite paviršius, ant kurio reikia pakabinti tvirtinimo šabloną. (1 pav.)



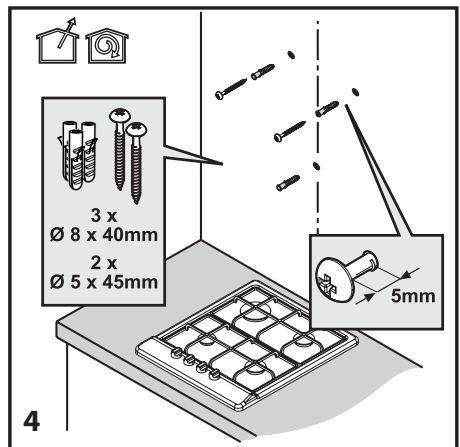
2. Tvirtinimo šabloną pritvirtinkite toje vietoje, kur montuosite garų rinktuvą. (2 pav.)



3. Pažymėtose vietose  $\varnothing 8$  mm grąžtu išgręžkite kiaurymes. (3 pav.)



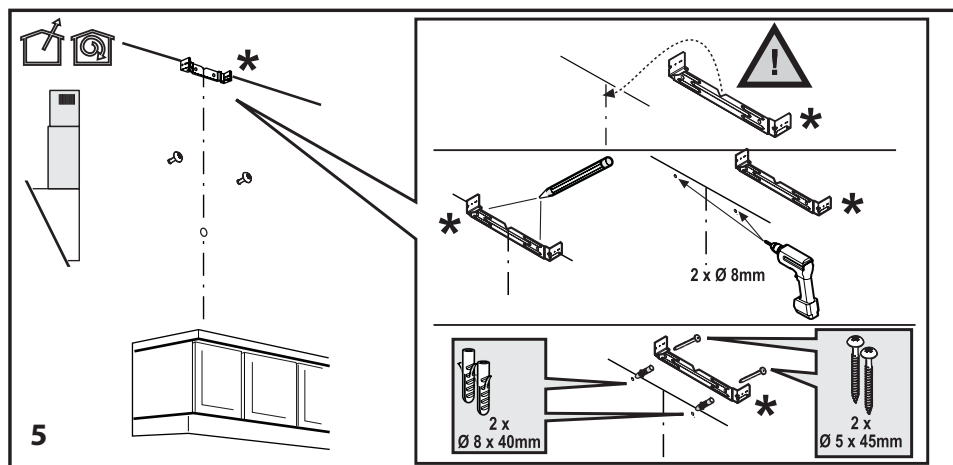
4. Į išgręžtas kiaurymes įkalkite tris (3)  $\varnothing 8 \times 40$  mm kaiščius. Į įkaltus kaiščius įsukite du (2)  $\varnothing 5 \times 45$  mm pakabinimui skirtus varžtus. Tarp varžto galvutės ir sienos turi likti 5 mm tarpelis. (4 pav.)



## 3 Prietaiso montavimas

### 3.2.3 Garų rinktuvo ortakio tvirtinimas

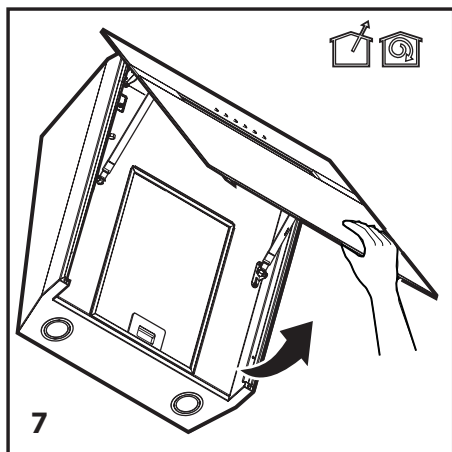
Pažymėtose vietose  $\varnothing 8$  mm grąžtu išgręžkite ortakio plokštei tvirtinti skirtas kiaurymes. Į išgręžtas kiaurymes įkalkite du (2)  $\varnothing 8 \times 40$  mm kaiščius. Į įkaltus kaiščius įsukite du (2)  $\varnothing 5 \times 45$  mm pakabinimui skirtus varžtus. (5 pav.)



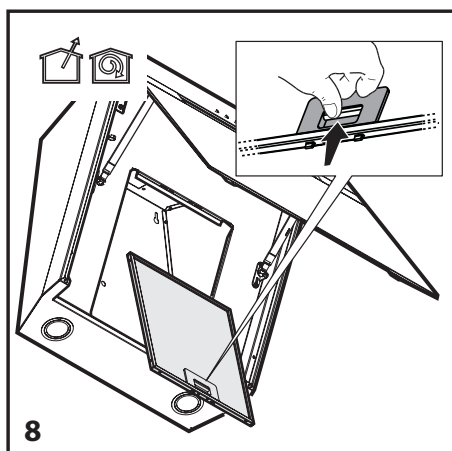
## 3 Prietaiso montavimas

### 3.2.4 Garų rinktuvo tvirtinimas prie sienos

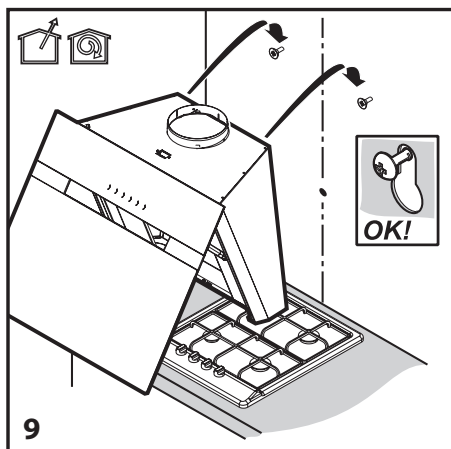
1. Kad garų rinktuvą galėtumėte pritvirtinti prie sienos, nuimkite priekinį skydelį. (7 pav.)



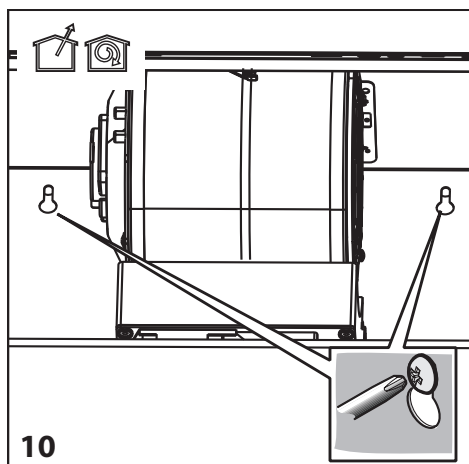
2. Išimkite filtrus. (8 pav.)



3. Garų rinktuvą uždėkite taip, kad varžtai sutaptų su varžtų galvutėmis. (9 pav.)



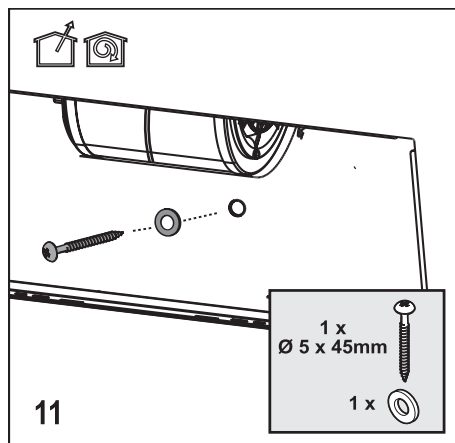
4. Priverždami varžtus, pritvirtinkite garų rinktuvą. (10 pav.)



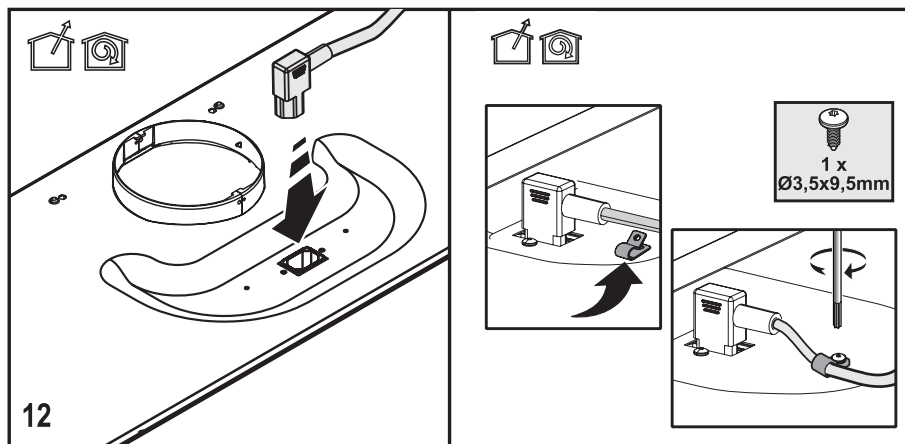


### 3 Prietaiso montavimas

5. Garų rinktuvui pritvirtinti panaudokite poveržles ir priveržkite  $\varnothing 5 \times 45$  varžtais. **(11 pav.)**

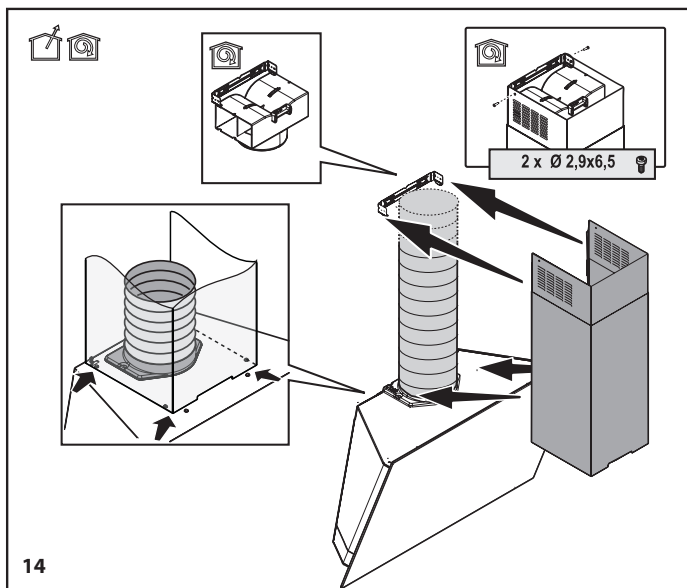
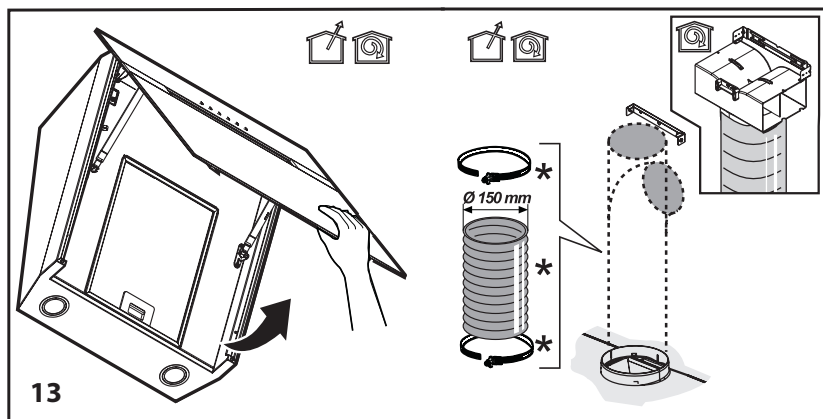


6. Prie elektros lizdo prijunkite maitinimo kabelį. Panaudodami  $\varnothing 3,5 \times 9,5$  varžtą, pritvirtinkite kabelį. **(12 pav.)**



### 3 Prietaiso montavimas

7. Ortakio jungtį prijunkite taip, kaip parodyta paveikslėliuose. (13, 14 pav.)

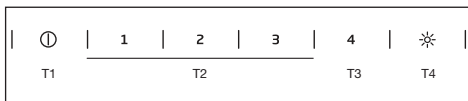


## 4 Prietaiso naudojimas

### 4.1 Naudojimas

- Jeigu virtuvėje prisirenka per daug garų, naudokite didelę siurbiamąją galią. Patartina virš kaitlentės esantį garų rinktuvą įjungti 5 minutės prieš pradėdant ruošti maistą, ir palikti veikti dar 15 minučių po to, kai maistas baigiamas ruošti.

### 4.2 Valdymas su lygiais



- T1.** Įjungimo ir išjungimo mygtukas. Jeigu prietaisas IŠJUNGTA, įjungia prietaisą. Jeigu prietaisas veikia bet koku greičiu, IŠJUNGIA jį.
- T2.** Įjungia prietaisą veikti 1, 2 ir 3 greičiu.
- Įjungia prietaisą veikti 1 greičiu. Šviečia 1-as LED.
- Įjungia prietaisą veikti 2 greičiu. Šviečia 2-as LED.
- Įjungia prietaisą veikti 3 greičiu. Šviečia 3-as LED.
- T3.** 5 minutėms prietaisą įjungia veikti 4 greičiu. Jeigu šis mygtukas paspaudžiamas tada, kai prietaisas veikia bet koku greičiu (1, 2, 3), tai tą greitį atitinkantis LED pradeda šviesti ištisai, o 4-ą greitį atitinkantis LED – mirksėti. Praėjus 5 minutėms, 4-o greičio LED užgesa ir prietaisas nustoja veikti didžiausiu greičiu. Jeigu 4-o greičio mygtukas paspaudžiamas anksčiau nei praeina 5 minutės, prietaisas didžiausiu greičiu veikti nustoja tuojau pat.
- T4.** Lemputės įjungimo ir išjungimo mygtukas. Norėdami ĮJUNGTI (IŠJUNGTI) lempuotę, trumpai paspauskite šį mygtuką. Norėdami pasirinkti vieną iš 5 lygių, paspauskite ir palaikykite ilgiau kaip 1 sekundę.

### 4.3 Riebalų filtro įspėjamasis signalas

Mirksintis 1-as LED įspėja vartotoją, kad reikia išvalyti metalinį filtrą. Kai atsiranda šis įspėjamasis signalas, reiškia, kad atėjo laikas valyti riebalų filtrą. Norėdami išjungti įspėjamąjį signalą, prietaisui veikiant, nuspauskite ir 3 sekundes palaikykite ĮJUNGIMO ir IŠJUNGIMO mygtuką. 1-as LED nustos mirksėti.

### 4.4 Anglinio filtro įspėjamasis signalas

Prietaisas pateikiamas su išjungtu anglinio filtro įspėjamoju signalu. Norėdami, kad prietaisas įspėtų kada reikia valyti anglinį filtrą, esant IŠJUNGTAM prietaisui, nuspauskite ir 3 sekundes palaikykite 1-ą ir 2-ą mygtukus. Rodydami, kad įspėjimas bus rodomas, iš pradžių įsijungs 1-as LED ir po to 1-as ir 2-as LED. Norėdami, kad įspėjimas nebūtų rodomas, esant IŠJUNGTAM prietaisui, nuspauskite ir 3 sekundes palaikykite 1-ą ir 2-ą mygtukus. Rodydami, kad įspėjimas nebus rodomas, iš pradžių įsijungs 1-as ir 2-as LED ir po to 1-as LED.

Mirksintis 2-as LED įspėja vartotoją, kad reikia išvalyti anglinį filtrą. Norėdami išjungti įspėjamąjį signalą, prietaisui veikiant, nuspauskite ir 3 sekundes palaikykite ĮJUNGIMO ir IŠJUNGIMO mygtuką.

## 4 Prietaiso naudojimas



Jeigu vienu metu įsijungia metalinio ir anglinio filtro įspėjamieji signalai, kiekvienas iš jų yra išjungiamas atskirai.

### 4.5 Taupus energijos naudojimas

- Kad išvengtumėte bereikalingų energijos sąnaudų, naudodamiesi garų rinktuvu, pasirinkite kvapų intensyvumą ir garų kiekį atitinkantį greitį.
- Esant normalioms sąlygoms, naudokite mažus greičius (1-2), o kai kvapai suintensyvėja ir garų kiekis padidėja - didelius greičius (3-4).
- Garų rinktuvo lempos yra skirtos maisto ruošimo zonai apšviesti. Jas naudojant aplinkai (virtuvei) apšviesti, bus be reikalo naudojama elektros energija ir gaunamas netinkamas apšvietimas.

## 5 Valymas ir priežiūra

### 5.1 Valymas

- Prieš atlikdami valymo ir priežiūros darbus, atjunkite prietaisą nuo elektros tinklo arba išjunkite elektros tinklo jungikliu arba saugikliu, per kurį maitinamas garų rinktuvas.
- Reguliariai (bent jau tuo pačiu dažnumu, su kuriuo atliekate riebalų filtrų valymo darbus) nuvalykite garų rinktuvą.
- Garų rinktuvą valykite šiltame vandenyje su neutralia skysta plovimo priemone sudrėkinta švaria šluoste.
- Nenaudokite šveitimo priemonių. **NENAUDOKITE ALKOHOLIO!**



**ĮSPĖJIMAS:** Nesilaikant pagrindinių garų rinktuvo valymo nurodymų ir nekeičiant filtrų, gali kilti gaisras.

- Dėl šiuos priežasties patariame laikytis anksčiau pateiktų nurodymų.
- Gamintojas neatsako už variklio gedimo ir gaisro sukeltus nuostolius, jeigu jie atsiranda dėl netinkamos priežiūros arba dėl anksčiau pateiktų saugos reikalavimų nesilaikymo.

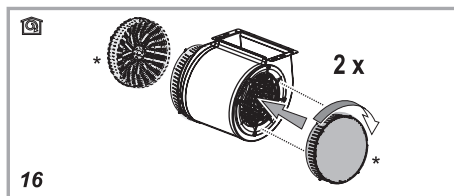
### 5.2 Stiklinio skydelio valymas

- Stiklinį skydelį ir įsiriabiliuosius paviršius reikia valyti tais pačiais intervalais, kurie taikomi riebalų filtrams.
- Valykite drėgna šluoste ir neutralia skysta valymo priemone.
- Nenaudokite šveitimo priemonių. **NEVALYKITE ALKOHOLIUI!**

### 5.3 Anglinis filtras (tik filtro režimu veikiančiuose modeliuose)

- Po ilgo naudojimo laikotarpio, priklausomai nuo maisto ruošimo būdo ir to, ar reguliariai valomas riebalų filtras, anglinis filtras gali užsipildyti.

- Bet kokių atveju kasetę reikia keisti bent kartą per keturis mėnesius (arba tada, kai filtro užsipildymo indikatorius parodo, kad reikia keisti filtrą (jeigu yra prietaise)). **(16 pav.)**
- Anglinio filtro negalima išplauti ir panaudoti pakartotinai.



### Cirkuliacinis anglinis filtras

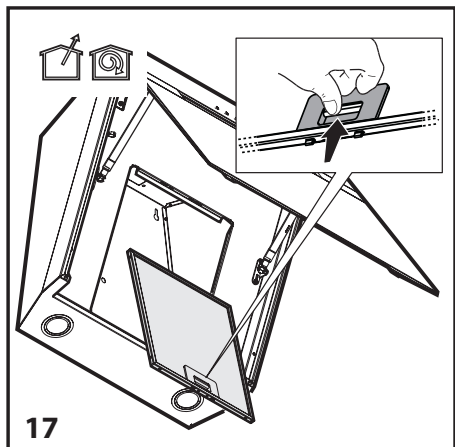
- Vieną filtrą įstatykite prie variklio ventiliatoriaus apsauginių grotelių ir tada detalę pasukite laikrodžio rodyklės kryptimi.
- Norėdami išimti, detalę pasukite prieš laikrodžio rodyklę.

### 5.4 Riebalų filtras

- Sulaiko maisto ruošimo metu susidarančias riebalų detales.
- Riebalų filtrą kiekvieną mėnesį (arba, kai parodo filtro užsipildymo indikatorius, jeigu jis yra prietaise) reikia išvalyti rankiniu būdu, tam panaudojant rūgščių neturinčią plovimo priemonę, arba indaplovėje, pasirinkus žemą temperatūrą ir trumpą programą.
- Plauçant indaplovėje, gali truputį pasikeisti riebalų filtro spalva, bet tai neturi įtakos jo filtruojamosioms savybėms.

## 5 Valymas ir priežiūra

- Norėdami išimti riebalų filtrą, patraukite spyruoklinę atpalaidavimo svirtelę. (17 pav.)



### 5.5 Valymas

- Labai svarbu garų rinktuvą nuvalyti tuojau pat po maisto kepimo.
- Išorinį garų rinktuvo paviršių nuvalykite skystoje plovimo priemonėje pamirkyta minkšta šluoste.
- Niekuomet nevalykite šveičiančiomis ar braižančiomis priemonėmis.
- Sunkiai nusivalančius riebalus galite pašalinti prekyboje esančiomis valymo priemonėmis, atsižvelgdami į ant jų pateiktus įspėjimus. Kad nesubraižytumėte sušveisto plieninio korpuso, jį šluostykite šveitimo pėdsakų kryptimi.
- Norėdami išsaugoti gaminio paviršiaus kokybę, nenaudokite valymo priemonių su druskos rūgštimi, balikliais ar šveitimo milteliais. Nerūdijančiojo plieno paviršius valykite muiluotame vandenyje sudrėkinta šluoste ar specialia purškiamąja priemone nerūdijančiam plienui valyti. Nuo prietaiso nuimkite apsauginę plėvelę.



**Atsargiai:** Jeigu nesilaikysite nurodymų dėl garų rinktuvo filtrų valymo ir keitimo, gali kilti gaisras.



#### Jeigu prireikia pervežti prietaisą:

Išsaugokite originalią prietaiso pakuotę. Prietaisą transportuokite jo originalioje pakuotėje ir laikykitės ant originalios pakuotės esančių transportavimo ženklų.

#### Jeigu neturite originalios pakuotės:

- Ant garų rinktuvo nedėkite sunkių daiktų.
- Išorinį paviršių saugokite nuo smūgių.
- Gaminį supakuokite taip, kad transportavimo metu jo nepažeistumėte.

### 5.6 Lempučių keitimas



**ĮSPĖJIMAS:** Prieš liesdami lemputes, įsitinkinkite, kad jos atvėso.



Norėdami pakeisti lemputes, kreipkitės į įgaliotąjį priežiūros atstovą.

## Proszę najpierw przeczytać tę instrukcję obsługi!

Droży Klienci,

Dziękujemy za wybór wyrobu marki Beko. Mamy nadzieję, że wyrób ten, wyprodukowany przy użyciu wysokiej jakości najnowszej technologii, okaże się w najwyższym stopniu zadowolający. Dlatego proszę przed jego użyciem uważnie przeczytać całą tę instrukcję obsługi i towarzyszące jej dokumenty i zachować ją do wglądu na przyszłość. Przy przekazaniu tego wyrobu komuś innemu, proszę oddać mu także tę instrukcję. Proszę przestrzegać wszystkich ostrzeżeń i informacji z tej instrukcji obsługi.

Proszę pamiętać, że instrukcja ta odnosi się także do kilku innych modeli. Różnice pomiędzy nimi są wyraźnie opisane w tej instrukcji.

### Znaczenie symboli

W niniejszej instrukcji stosuje się następujące symbole:



Ważne informacje i przydatne wskazówki dotyczące użytkowania.



**OSTRZEŻENIE** Ostrzeżenia dotyczące sytuacji zagrażających bezpieczeństwu, życiu i mieniu.



Ostrzeżenie przed porażeniem prądem.



Ostrzeżenie przed gorącymi powierzchniami.



Urządzenie zostało wyprodukowane w nowoczesnych, bezpiecznych dla środowiska zakładach bez wpływu na przyrodę.

# 1 Ważne instrukcje dotyczące bezpieczeństwa twa i ochrony środowiska naturalnego

Rozdział ten zawiera instrukcje zachowania bezpieczeństwa, które pomogą chronić się przed zagrożeniem obrażeniami ciała lub szkodami w mieniu. Nieprzestrzeganie tych instrukcji unieważnia udzieloną gwarancję.

## 1.1 Bezpieczeństwo: Zasady ogólne

- Wszystkie prace montażowe i naprawy należy powierzać Autoryzowanemu Agentowi Serwisowemu. Producent nie odpowiada za szkody, które mogą być spowodowane przez osoby nieupoważnione.
- Urządzenie to nie jest przeznaczone do użytku przez osoby (w tym dzieci) o ograniczonej sprawności fizycznej, czuciowej i psychicznej, niedoświadczone i nieumiejętne. Należy zawsze uważać na dzieci, aby nie bawiły się tym urządzeniem.

### 1.1.1 Bezpieczeństwo: Elektryczność

- Zawsze odłączaj okap od sieci na czas montażu, konserwacji, czyszczenia i napraw.

- Jeśli przewód zasilający jest uszkodzony, jego wymianę należy powierzyć osobie o uznanych przez producenta kwalifikacjach, personelowi serwisu posprzedażnego lub podobnego (najlepiej elektrykowi) lub osobie wskazanej przez importera.
- Napięcie zasilania 220 do 240 voltów.
- W razie awarii okapu nie należy go używać dopóki nie zostanie naprawiony przez Autoryzowanego Agenta Serwisowego. Zagrożenie porażeniem prądem elektrycznym!
- Nie prowadź przewodu zasilającego w pobliżu kuchenki. Grozi to pożarem od przewodu zasilającego, bo jego izolacja łatwo się topi.
- Nie wkładaj wtyczki przewodu zasilającego do gniazdka przed ukończeniem montażu okapu.
- Najlepiej działają przewody zewnętrzny nie dłuższe niż 4 m. Może skręcać pod kątem prostym nie więcej niż 2 razy, a jego średnica musi być co najmniej  $\varnothing 120$  mm.



# 1 Ważne instrukcje dotyczące bezpieczeństwa twa i ochrony środowiska naturalnego

- Przed każdą interwencją wewnątrz okapu wyjmuj wtyczkę z gniazdka.
- Używaj okapu tylko, jeśli przyłączony jest do gniazdka z uziemieniem.
- Nie dotykaj lamp okapu, jeśli paliły się przez dłuższy czas. Można poparzyć dłonie taką gorącą lampą.
- Wystrzegaj się obfitych płomieni pod okapem. Grozi to zapaleniem się cząstek na filtrze oleju, co może spowodować pożar.

## 1.1.2 Bezpieczeństwo: Wyrób

- Wylot okapu można przyłączyć do przewodu kominowego rurą o średnicy 120 mm lub 150 mm.
- Nie wolno przyłączać się do przewodów kominowych połączonych z kuchenkami, szybów wylotowych, ani przewodów kominowych, w których palą się płomienie. Przestrzegaj urzędowych zasad zrzutu powietrza wylotowego.
- Pomiędzy dolną powierzchnią okapu a górną powierzchnią kuchenki/ piecyka powinien być odstęp co najmniej 50 cm od kuchenki gazowej i 45 cm od kuchenki elektrycznej.
- Nie używaj okapu bez filtrów aluminiowych i nie wyjmuj ich, gdy okap działa.
- Kuchenkę włączaj dopiero po postawieniu na niej garnków lub patelni. W przeciwnym razie niektóre części okapu mogą się odkształcać w miarę nagrzewania się.
- Wyłączaj kuchenkę zanim zdejmiesz z niej garnki i patelnie.
- Wystrzegaj się materiałów łatwopalnych pod okapem.
- Podczas smażenia potraw może się zapalić olej. Dlatego należy uważać na tkaniny i zasłony.
- Nie wolno pozostawiać kuchenki bez nadzoru, gdy smażą się na niej potrawy, bo grozi to zapaleniem się oleju i pożarem.
- Jeśli nie czyści się okapu z określoną częstotliwością, podnosi to zagrożenie pożarem.
- Podczas czyszczenia okapu zachowaj szczególną ostrożność i noś rękawice.

# Ważne instrukcje dotyczące bezpieczeństwa twa i ochrony środowiska naturalnego

- Zalecamy uruchamianie okapu na kilka minut przed rozpoczęciem gotowania, aby nabrał mocy ssania. Dzięki temu, gdy zaczną się opary, ssanie będzie ciągłe i stabilne.
- Nie wyłączaj okapu przez 15 minut po zakończeniu gotowania lub smażenia, aby usunąć z kuchni zapach oparów gotowania.
- Gdy okap działa, zwłaszcza jeśli działa nad kuchenką gazową, upewnij się, że pomieszczenie to jest wentylowane czystym powietrzem.
- Zwróć uwagę, aby nie przyłączać okapu do przewodów kominowych używanych przez urządzenia nielektryczne. ( Np.: przewód spalinowy grzejnika).
- Właściwa praca okapu równocześnie z innym urządzeniem, które wymaga powietrza, możliwa jest tylko przy niskim ciśnieniu 4 Pa (0,04 mbar), przy którym unika się zwrotnego wchłaniania gazu. Można to osiągnąć tylko przy dopływie powietrza przez nieosłonięte otwory (drzwi, okna, otwory wentylacyjne lub innych środki techniczne).

Zwracaj szczególną uwagę na zapewnienie wystarczającego przepływu powietrza. Do tego celu nie wystarczy przewód kominowy, którym dopływa/ odpływa powietrze.

## 1.1.3 Bezpieczeństwo: Dzieci

- Materiały opakowaniowe są niebezpieczne dla dzieci. Należy trzymać je w bezpiecznym miejscu, poza zasięgiem dzieci.
- Urządzenie elektryczne są niebezpieczne dla dzieci. Trzymaj dzieci z dala od tego okapu. Nie pozwalaj dzieciom bawić się nim.
- Urządzenia tego mogą używać dzieci w wieku 8 lat lub starsze oraz osoby niepełnosprawne fizycznie, sensorycznie lub umysłowo, lub nieumiejętne i niedoświadczone, pod warunkiem, że ktoś nadzoruje ich użytkowanie pod względem bezpieczeństwa, lub zostały odpowiednio poinstruowane i zdają sobie sprawę z zagrożeń przy jego użytkowaniu. Dzieci nie powinny bawić się tym urządzeniem.

# Ważne instrukcje dotyczące bezpieczeństwa twa i ochrony środowiska naturalnego

- **OSTRZEŻENIE:** Jeśli jest to okap nad kuchnią, jego wystające części mogą się nagrzewać.

## 1.2 Przeznaczenie

- Urządzenie to przeznaczone jest do użytku domowego. Nie nadaje się do zastosowań komercyjnych i nie należy go używać niezgodnie z przeznaczeniem.
- Producent nie ponosi odpowiedzialności za szkody spowodowane niewłaściwym użytkowaniem lub transportem.
- Okres używalności tego okapu wynosi 10 lat. Jest to okres, w którym do nabycia będą części zamienne do utrzymania prawidłowego działania okapu.
- **OSTRZEŻENIE:** Zaniedbanie przykręcenia śrub zgodnie ze wskazaniem w tej instrukcji może zagrażać porażeniem elektrycznych.

## 1.3 Zgodność z dyrektywą WEEE i pozbywanie się zużytych wyrobów



Wyrób ten zgodny jest z dyrektywą WEEE Unii Europejskiej (2012/19/UE). Wyrób ten oznaczony jest symbolem klasyfikacyjnym dla zużytego sprzętu elektrycznego i elektronicznego (WEEE).

Wyrób ten wykonano z części i materiałów wysokiej jakości, które mogą być odzyskane i użyte jako surowce wtórne. Po zakończeniu użytkowania nie należy pozbywać się go razem z innymi odpadkami domowymi. Należy przekazać go do punktu zbiórki urządzeń elektrycznych i elektronicznych na surowce wtórne. Gdzie jest najbliższy taki punkt zbiórki można dowiedzieć się od władz miejscowych.

## Zgodność z dyrektywą RoHS:

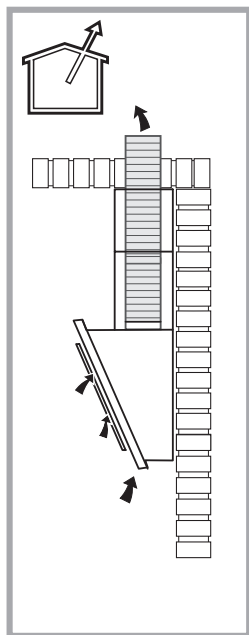
Wyrób ten jest zgodny z dyrektywą RoHS Unii Europejskiej (2011 /65 / UE). Nie zawiera wskazanych w tej dyrektywie materiałów szkodliwych i zakazanych.

## 1.4 Informacje o opakowaniu

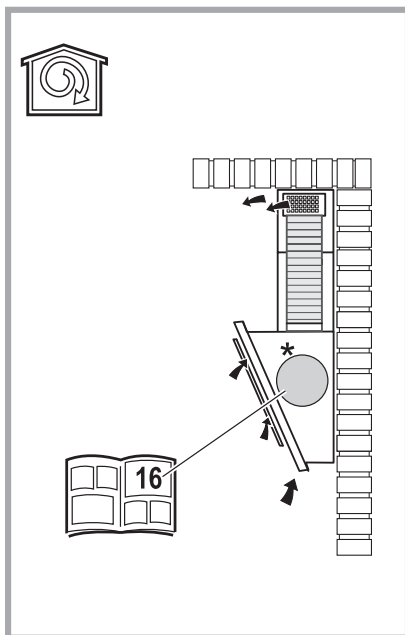


Opakowanie tego wyrobu wykonano z materiałów nadających się do recyklingu, zgodnie z naszym ustawodawstwem krajowym. Nie wyrzucaj materiałów opakowaniowych do śmieci wraz z innymi odpadkami domowymi. Oddaj je w jednym z wyznaczonych przez władze lokalne punktów zbiórki materiałów opakowaniowych.

## 2 Dane techniczne okapu



 Użytkowanie z przewodem kominowym



 Użytkowanie z filtrem węglowym

Wartości oznaczone na okapie i podane w innych dokumentach wraz z nim dostarczonych uzyskano w warunkach laboratoryjnych, według stosownych norm. Wartości te mogą różnić się w zależności od warunków eksploatacji oraz otoczenia okapu.

## 3 Montaż okapu

W sprawie montażu okapu proszę skontaktować się z najbliższym autoryzowanym serwisem.

\*Przygotowanie miejsca i instalacji elektrycznej dla okapu jest obowiązkiem klienta.



**OSTRZEŻENIE** Po zamontowaniu okapu i przewodu kominowego zdejmij z nich folię ochronną (jeśli jest).

Pomiędzy dolną powierzchnią okapu a górną powierzchnią płyty kuchennej powinien być odstęp co najmniej 50 cm od kuchenki gazowej i 45 cm od kuchenki elektrycznej.

Wykonanie połączeń elektrycznych zleć wykwalifikowanemu elektrykowi.

Zamontuj okap tak, aby po montażu można było łatwo sięgnąć do miejsca przyłączenia zasilanie (wtyczka, gniazdko).

Wymiary w milimetrach.

### 3.1. Przyłączenie zasilania elektrycznego

- Parametry zasilania sieciowego powinny być zgodne z wartościami znamionowymi podanymi na tabliczce znajdującej się wewnątrz okapu. Przyłącz okap do gniazdka, zgodnie z obowiązującymi przepisami, za pomocą wtyczki i umieść ją w dostępnym miejscu. Po instalacji; jeśli urządzenie nie ma wtyczki (bezpośrednie przyłączenie do zasilania sieciowego) lub wtyczka jest niedostępna, zastosuj zgodny z wymaganiami norm przełącznik dwubiegunowy, które umożliwi odłączenie wtyczki głównej w warunkach przetężenia prądowego kategorii III.



**OSTRZEŻENIE** Przed ponownym przyłączeniem okapu do sieci zasilającej i sprawdzeniem, czy działa poprawnie, upewnij się, że przewód zasilający jest prawidłowo przyłączony.

- Okap wyposażony jest w specjalny przewód zasilający. W razie jego uszkodzenia skontaktuj się z autoryzowanym agentem serwisowym.

## 3.2. Montaż

### 3.2.1 Przed rozpoczęciem montażu:

- Upewnij się, że okap zmieści się w miejscu montażu.
- Wyjmij filtr z węglem aktywnym (\*), jeśli został dostarczony (patrz również odnośny rozdział). Filtr/filtry montuje się tylko, jeśli chce się używać okapu wraz z filtracją.
- Sprawdź, czy wraz z okapem dostarczono jakieś inne przedmioty (np. pakiet śrub (\*), kartę gwarancyjną (\*) itp.), a jeśli tak, wyjmij je i odłóż w inne miejsce.
- Jeśli to możliwe, wysuń wolnostojącą lub zabudowaną płytę kuchenną i odsuń ją na bok, aby łatwo dotrzeć do ściany z tyłu / sufitu. Jeśli nie jest to możliwe, przykryj płytę kuchenną, kuchenkę lub piekarnik grubym materiałem ochronnym, aby zabezpieczyć je przed uszkodzeniem i zabrudzeniem. Wybierz płaską powierzchnię, która przyda się przy montowaniu okapu. Przykryj ją ściereczką dla ochrony i umieść na niej wszystkie części okapu w opakowaniu i ich osprzęt.
- Poza tym sprawdź, czy w miejscu montażu okapu jest gniazdko (w miejscu dostępnym po zamontowaniu okapu), a także, czy można wyprowadzić połączenie okapu na zewnątrz (tylko dla modeli z zasysaniem powietrza z zewnątrz).

### 3 Montaż okapu

- Zakończ wszystkie niezbędne działania operacje związane ze ścianą (np. wetknięcie wtyczki przewodu zasilającego do gniazdka i otwarcie otworu do węża spustowego).

Dostępne jest wiele różnych kołków rozporowych do mocowania okapu na ścianach/sufitach różnych typów. Dobór kołków do materiału ściany/sufitu powinien dodatkowo potwierdzić wykwalifikowany technik. Ściana/ sufit powinny móc utrzymać okap. Nie montuje się okapu do płytek ceramicznych, tynków, ani powierzchni silikonowych. Montuje się go wyłącznie do muru.

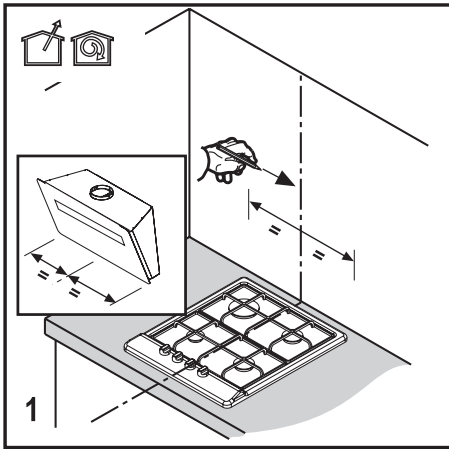
Jeśli w pobliżu jest jakiś panel, boczna ścianka lub mebel, upewnij się, że jest dość miejsca na zamontowanie okapu, i łatwy dostęp do panelu sterowania.

## 3 Montaż okapu

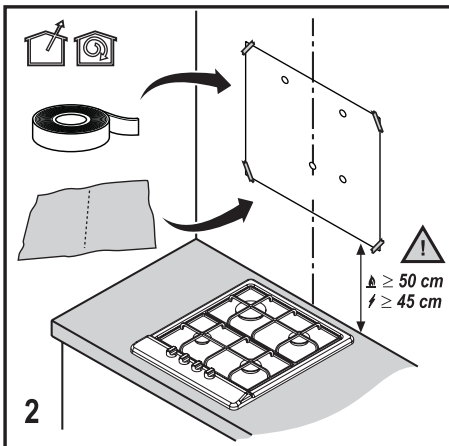
### 3.2.2 Przygotowanie do montażu okapu na ścianie

Poniżej podano informacje potrzebne do przygotowania miejsca montażu okapu.

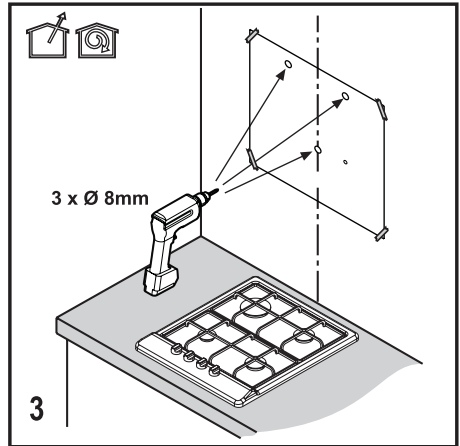
1. Zaznacz powierzchnię, na której powieszisz szablony instalacyjny. **(Rys. 1)**



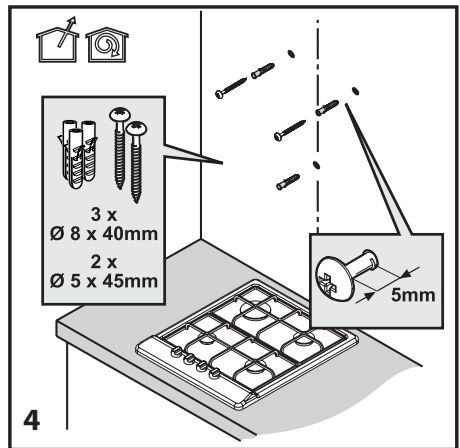
2. Przyłóż szablony instalacyjny w miejscu montażu okapu. **(Rys. 2)**



3. W wyznaczonych punktach wywierć otwory wiertłem  $\varnothing 8 \text{ mm}$  **(Rys. 3)**



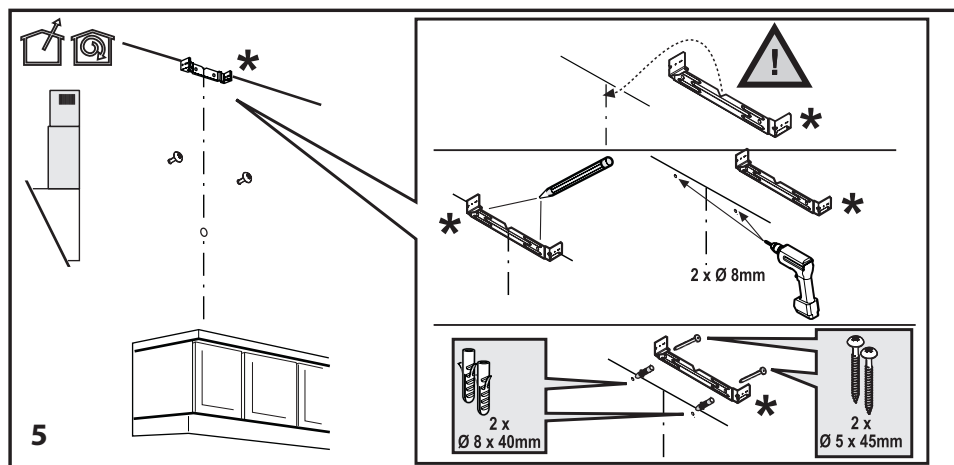
4. W wywiercone otwory wbij młotkiem 3 kołki rozporowe  $\varnothing 8 \times 40 \text{ mm}$ . W kołki te wkręć dwie śruby z haczykiem  $\varnothing 5 \times 45 \text{ mm}$ . Zachowaj odstęp 5 mm pomiędzy łbem śruby a ścianą. **(Rys. 4)**



## 3 Montaż okapu

### 3.2.3 Montaż przewodu kominowego okapu

W wyznaczonych punktach wywierć otwory wiertłem  $\varnothing 8$  mm do przytwierdzenia płyty złącza przewodu kominowego. W wywiercone otwory wbij młotkiem 2 kołki rozporowe  $\varnothing 8 \times 40$  mm. W kołki te wkręć 2 śruby z haczykiem  $\varnothing 5 \times 45$  mm. **(Rys. 5)**

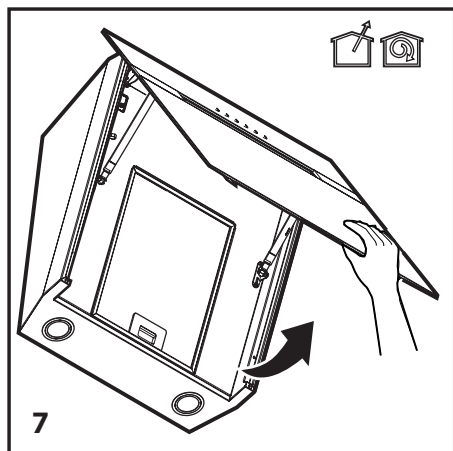




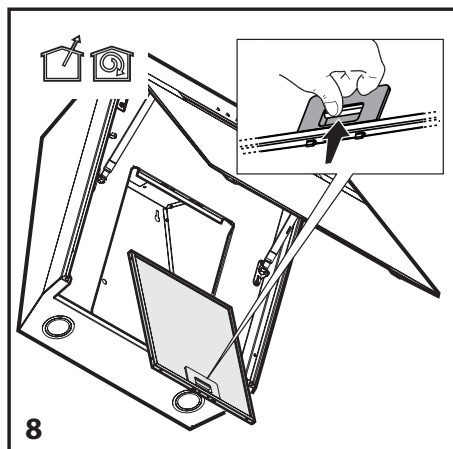
## 3 Montaż okapu

### 3.2.4 Montaż okapu na ścianie

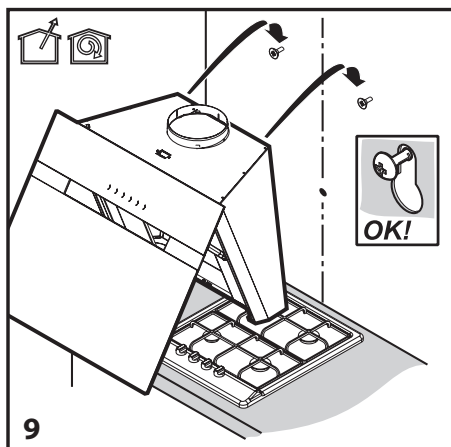
1. Zdejmij przedni panel, aby przytwierdzić okap do ściany. **(Rys. 7)**



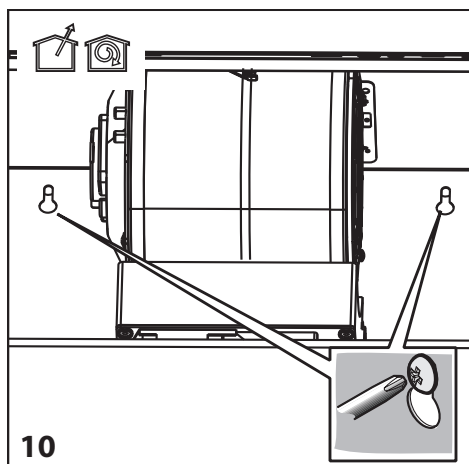
2. Wymij filtry. **(Rys. 8)**



3. Ustaw okap tak, aby śruby pokrywały się z łbami śrub. **(Rys. 9)**

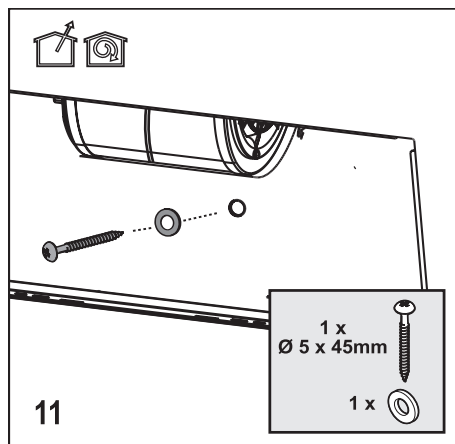


4. Dokręć śruby, aby przymocować okap. **(Rys. 10)**

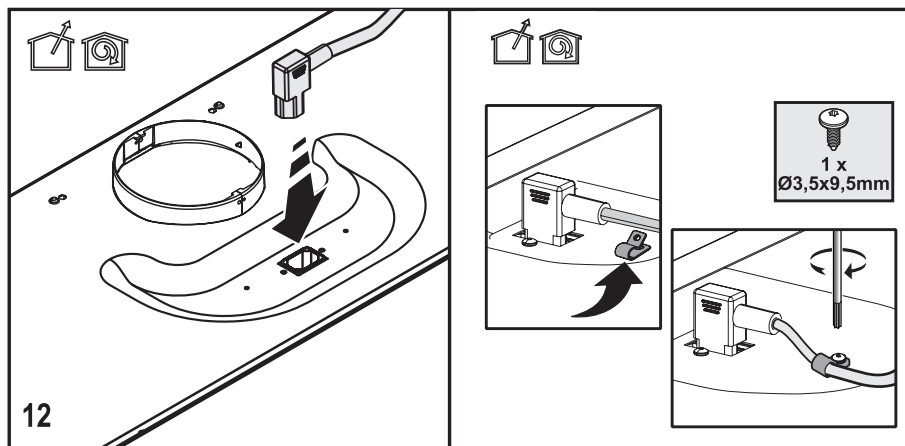


### 3 Montaż okapu

5. Aby przymocować okap, użyj podkładek i dokręć go śrubami  $\text{\O} 5 \times 45$ . **(Rys. 11)**

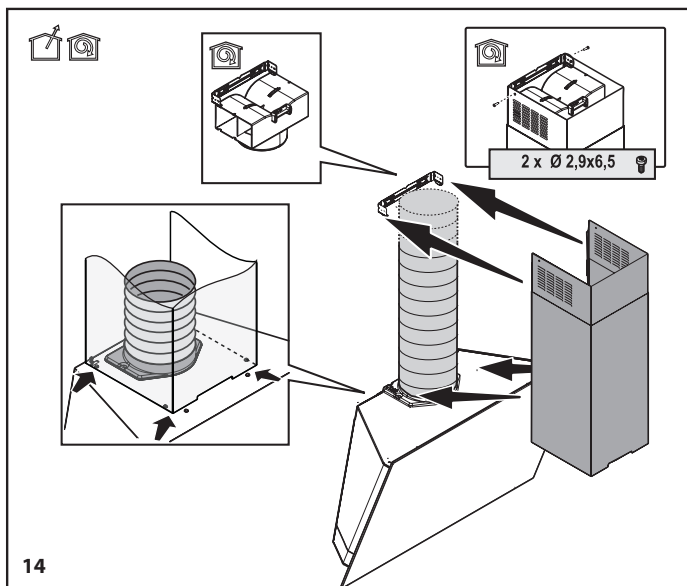
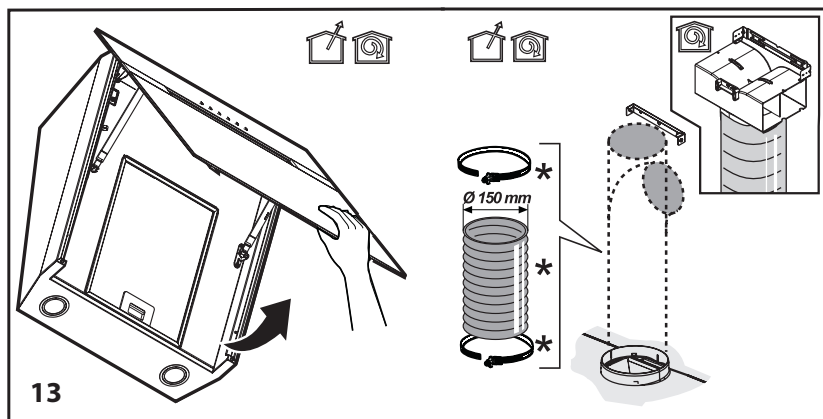


6. Wsadź wtyczkę przewodu zasilającego do gniazdka. Użyj śrub  $\text{\O} 3.5 \times 9.5$  aby przymocować przewód. **(Rys. 12)**



### 3 Montaż okapu

7. Umieść złącze przewodu kominowego tak, jak na rysunkach. (Rys. 13, 14)

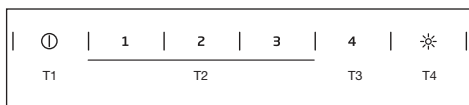


## 4 Obsługa okapu

### 4.1 Obsługa

- Jeśli w kuchni tworzą się nadmierne opary, użyj ssania z dużą mocą. Zaleca się, aby urządzenie ssące okapu kuchennego włączyć na 5 minut przed rozpoczęciem gotowania i pozostawić włączone przez 15 minut po jego zakończeniu.

### 4.2 Sterowanie poziomami



- T1.** Przycisk On/Off (Zał./Wył) Jeśli okap jest wyłączony (OFF), przycisk ten włącza go. Jeśli okap działa z jakąkolwiek prędkością, włącza go (OFF).
- T2.** Włącza poziom prędkości 1, 2 i 3.  
Włącza poziom prędkości 1. Zapala diodę LED 1.  
Włącza poziom prędkości 2. Zapala diodę LED 2.  
Włącza poziom prędkości 3. Zapala diodę LED 3.
- T3.** Włącza poziom prędkości 4 na 5 minut. Gdy okap pracuje przy jakimkolwiek poziomie prędkości (1, 2, 3), jeśli przycisk ten jest wciśnięty, wówczas odpowiadająca aktualnej prędkości dioda LED pali się stale, a dioda LED poziomu prędkości 4 będzie migać. Po upływie 5 minut dioda LED poziomu prędkości 4 LED i tryb maksymalnej prędkości okapu wyłączają się (OFF). Jeśli przed upływem 5 minut naciśnię się przycisk stopnia prędkości 4, wyłączy się tryb maksymalnej prędkości okapu.
- T1.** Przycisk On/Off (Zał./Wył) lampy Krótkie naciśnięcie tego przycisku włącza/ wyłącza lampę. Naciśnięciem i przytrzymaniem tego przycisku na dłużej niż 1 sekunda wybiera się jeden z 5 poziomów jasności lampy.

### 4.3 Alarm filtru przeciw tłuszczowego

Miganie diody LED 1 ostrzega użytkownika o potrzebie oczyszczeniu filtra metalowego. Alarm ten oznacza, że już czas, aby oczyścić filtr przeciw tłuszczowy. Naciśnij i przez 3 sekundy przytrzymaj przycisk ON/OFF (ZAŁ./WYŁ.) aby wyłączyć to ostrzeżenie, gdy okap pracuje. Dioda LED 1 przestanie migać.

### 4.4 Alarm filtru węglowego

Okap dostarczany jest z wyłączonym alarmem filtru węglowego. Naciśnij i przez 3 sekundy przytrzymaj przyciski 1 i 2, aby włączyć ostrzeżenie o potrzebie czyszczenia filtra węglowego, podczas gdy okap jest wyłączony (OFF). Najpierw zapali się dioda LED 1, potem także LED 2, co oznacza, że ostrzeżenie zostało włączone. Naciśnij i przez 3 sekundy przytrzymaj przyciski 1 i 2, aby wyłączyć to ostrzeżenie, podczas gdy okap jest wyłączony (OFF). Najpierw zapalą się diody LED 1 i LED 2, a potem tylko LED 1, co oznacza, że ostrzeżenie zostało wyłączone.

Miganie diody LED 2 ostrzega użytkownika o potrzebie oczyszczeniu filtra węglowego. Naciśnij i przez 3 sekundy przytrzymaj przycisk ON/OFF (ZAŁ./WYŁ.) aby wyłączyć to ostrzeżenie, gdy okap pracuje.



Jeśli równocześnie włączą się ostrzeżenia obu filtrów, metalowego i węglowego, trzeba je wyłączać oddzielnie.

### 4.5 Użytkowanie energooszczędne:

- Podczas pracy okapu, aby uniknąć niepotrzebnego zużycia energii, reguluj poziom prędkości.
- Stosuj niskie prędkości w normalnych warunkach (1-2), a wysokie (3- 4), kiedy zapach i opary się nasilają.
- Lampy na okapie służą do oświetlenia kuchenki. Wykorzystywanie ich do oświetlenia otoczenia / kuchni powoduje niepotrzebne zużycie energii oraz niedostateczne oświetlenie.

## 5 Czyszczenie i konserwacja

### 5.1 Czyszczenie

- Przed czyszczeniem i konserwacją należy wyjąć wtyczkę z gniazdka sieciowego lub wyłączyć główny wyłącznik albo odkręcić/ wyłączyć bezpiecznik w obwodzie zasilania okapu.
- Okap należy czyścić regularnie (przynajmniej równie często, co filtr przeciw tłuszczowy) wewnątrz i na zewnątrz.
- Okap czyści się czystą ściereczką zwilżoną w ciepłej wodzie z dodatkiem obojętnego detergentu w płynie.
- Nie używać szorstkich środków czyszczących. **NIE UŻYWAJ ALKOHOLU!**



**OSTRZEŻENIE** Niestosowanie się do podstawowych zaleceń dotyczących czyszczenia okapu i wymiany filtrów może spowodować pożar.

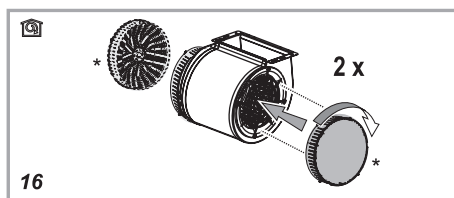
- Z tego powodu zaleca się przestrzegać wymienionych wskazówek.
- Producent nie ponosi odpowiedzialności za uszkodzenia silnika i szkody od ognia spowodowane niewłaściwą konserwacją lub nieprzebrzeżaniem powyższych zaleceń bezpieczeństwa.

### 5.2 Czyszczenie panelu szklanego

- Powierzchnie panelu szklanego i ssania należy czyścić równie często, co filtry przeciw tłuszczowe.
- Czyści się je wilgotną ściereczką i obojętnym detergentem w płynie.
- Unikać stosowania szorstkich środków czyszczących. **DO CZYSZCZENIA NIE UŻYWAJ ALKOHOLU!**

### 5.3 Filtr węglowy (tylko w modelach z filtrowaniem)

- Po dłuższym okresie użytkowania filtr węglowy może się zapełnić w zależności od rodzaju gotowania i od tego, czy regularnie czyści się filtr oleju.
- W każdym razie kasetę z filtrem należy wymieniać co najmniej raz na cztery miesiące (lub gdy do wymiany filtru wzywa wskaźnik jego zapełnienia, jeśli jest w danym modelu). **(Rys. 16)**
- Filtru węglowego nie można umyć i ponownie użyć.



### Okrągły filtr węglowy

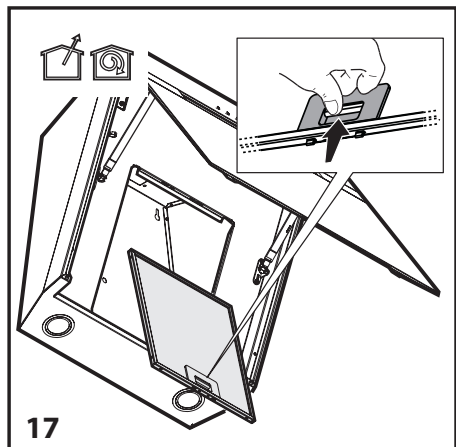
- Umieść jeden filtr obok klatek ochronnych śmigła silnika, a następnie obróć tę część w kierunku ruchu wskazówek zegara.
- Aby wyjąć tę część, obróć ją w kierunku przeciwnym do ruchu wskazówek zegara.

### 5.4 Filtr przeciw tłuszczowy

- Zatrzymuje cząsteczki tłuszczu pochodzące od gotowania.
- Filtr przeciw tłuszczowy należy czyścić co miesiąc (lub jeśli wskaźnik zapełnienia filtru - jeśli jest w danym modelu - wskazuje, że już czas) myjąc go ręcznie bezkwasowym detergentem lub w zmywarce w niskiej temperaturze i przy użyciu krótkiego programu.
- Przy myciu w zmywarce, kolor filtru przeciw tłuszczowego może nieco blaknąć, ale to nie wpływa na jego skuteczność.

## 5 Czyszczenie i konserwacja

- Aby wyjąć filtr przeciwłuszczowy, pociągnij dźwignię zwalnającą sprężynę. (Rys. 17)



### 5.5 Czyszczenie

- Przede wszystkim nie zaniedbuj czyszczenia okapu zaraz po smażeniu.
- Okap z zewnątrz czyści się miękką ściereczką nasączoną płynnym detergentem.
- Do czyszczenia nie należy używać materiałów szorstkich ani ciernych.
- Można używać dostępnych w handlu środków czyszczących uporczywy tłusty brud itp., stosując się do ostrzeżeń na ich opakowaniu. Aby nie zarysować szczotkowanej stali korpusu, wycieraj go w kierunku zgodnym z ruchem szczotki.
- Aby zachować stan powierzchni okapu, nie używaj środków zawierających kwas solny, wybielacze, ani proszki ścierne. Używaj ściereczki nawilżonej wodą z mydłem lub specjalnego sprayu do czyszczenia powierzchni ze stali nierdzewnej. Usuń z okapu folię ochronną.



**Ostrzeżenie:** Jeśli nie postępuje się zgodnie z instrukcjami czyszczenia i wymiany filtrów w okapie, można spowodować pożar.



#### Jeśli trzeba okap przewieźć:

Zachowaj jego oryginalne opakowanie. Okap przewozi się w oryginalnym opakowaniu i zgodnie z podanymi na nim oznaczeniami transportowymi.

#### Jeśli nie masz oryginalnego opakowania:

- Nie stawiaj ciężkich przedmiotów na okapie.
- Zabezpiecz powierzchnię zewnętrzną przed uderzeniami.
- Tak opakuj okap, żeby się nie uszkodził w transporcie.

### 5.6 Wymiana lamp



**OSTRZEŻENIE:** Przed dotknięciem żarówki lampy upewnij się, że już ostygła.



W celu wymiany lampy skontaktuj się z autoryzowanym agentem serwisowym.

## Por favor, leia primeiro este manual!

Caros Clientes,

Obrigado por preferirem um produto Beko. Esperamos que obtenha os melhores resultados do seu produto, que foi fabricado com alta qualidade e com a mais moderna tecnologia. Portanto, leia cuidadosamente todo este manual do utilizador e os outros documentos que o acompanham, antes de utilizar o produto e guarde-o para consultas futuras. Se passar o produto para outra pessoa, dê-lhe também este manual. Siga todos os avisos e informações do manual do utilizador.

Lembre-se que este manual do utilizador pode ser também aplicável para diversos outros modelos. As diferenças entre os modelos são explicitamente descritas no manual.

### Significados dos símbolos

Os seguintes símbolos são usados nas várias secções deste manual:



Informações importantes ou dicas úteis sobre a utilização.



**AVISO:** Avisos de situações perigosas referentes à segurança de pessoas e bens.



Aviso de choque elétrico.



Aviso sobre superfícies quentes.



Este produto foi fabricado em instalações modernas e amigas do ambiente sem causar quaisquer danos à natureza.

Esta secção contém instruções de segurança que ajudarão a protegê-lo(a) contra ferimentos pessoais ou danos à propriedade. O não cumprimento destas instruções invalida a garantia concedida.

## 1.1 Segurança geral

- Mandar sempre efetuar a instalação e procedimentos de reparação pelo Agente de Serviço Autorizado. A empresa fabricante não será responsável por danos que possam ser causados por pessoas não autorizadas.
- Este aparelho não foi concebido para ser utilizado por pessoas (incluindo crianças) com capacidades físicas, mentais ou sensoriais reduzidas, ou sem experiência ou conhecimento. As crianças devem ser supervisionadas para garantir que não brincam com o aparelho.

### 1.1.1 Segurança elétrica

- Desligue sempre o aparelho da tomada elétrica durante as operações de instalação, manutenção, limpeza e reparação.

- Se o cabo de alimentação estiver defeituoso, deverá ser substituído por uma pessoa qualificada e certificada pelo fabricante, pelos serviços pós-venda ou semelhantes (de preferência por um eletricitista) ou por alguém indicado pelo importador.
- A tensão de funcionamento é de 220 a 240 volts.
- Se o aparelho tiver uma falha, não deve ser colocado a funcionar enquanto não for reparado pelo Agente de Serviço Autorizado. Existe risco de choque elétrico!
- Não encaminhe o cabo de alimentação perto do exaustor. Caso contrário, o cabo de alimentação poderá causar um incêndio dado que pode derreter-se facilmente.
- Nunca ligue o exaustor antes da instalação estar completa.
- Para obter o melhor desempenho, o condutor externo não deverá ter mais de 4 metros. Não deverá conter mais do que 2 ângulos perpendiculares (90°) e o seu diâmetro deve ser, no mínimo,  $\varnothing 120$  mm.
- Desligue o aparelho da tomada elétrica antes de qualquer intervenção nas partes internas do aparelho.



- Utilize o aparelho apenas com uma ligação à terra.

## 1.1.2 Segurança do produto

- Pode usar um tubo com um diâmetro de 120 mm ou 150 mm na ligação da chaminé ao exaustor.
- Não faça ligações às chaminés ligadas a fogões, eixos de exaustão ou chaminés com chamas vivas. Respeite as regras definidas pelas autoridades no que se refere ao fumos de exaustão.
- A altura entre a superfície inferior do exaustor e a superfície superior do fogão/forno não deve ser inferior a 50 cm para exaustores de aparelhos a gás e 45 cm para exaustores de aparelhos elétricos.
- Não funcione com o exaustor sem os filtro de alumínio e não remova os filtros enquanto o aparelho estiver a funcionar.
- Nunca toque nas lâmpadas do exaustor depois de estar terem estado em funcionamento durante muito tempo. As lâmpadas quentes poderão queimar as mãos.
- Evite grandes chamas por baixo do produto. Caso contrário, as partículas no filtro do óleo poderão pegar fogo e provocar um incêndio.
- Ligue os exaustores depois de colocar tachos ou panelas sobre ele. Caso contrário, o calor em ascensão poderá deformar certas partes do seu produto.
- Desligue os exaustores quando retirar os tachos e panelas.
- Evite materiais inflamáveis sob o exaustor.
- O óleo pode pegar fogo ao fritar alimentos. Portanto, tenha cuidado com os panos e cortinas.
- Nunca deixe o fogão sem supervisão quando estiver a fritar alimentos, pois o óleo quente pode causar um incêndio.
- Existe risco de incêndio se o seu exaustor não for limpo nos períodos especificados.
- Tenha muito cuidado e use luvas ao limpar o exaustor.
- Aconselhamos a colocar o aparelho em funcionamento alguns minutos antes de começar a cozinhar, para aumentar o poder de sucção.

# Instruções importantes sobre a segurança e ambiente

Assim, terá um poder de sucção contínuo e estável quando os vapores começam a subir.

- Coloque o seu exaustor em funcionamento 15 minutos após o final dos cozinhados ou frituras, de modo a fazer sair os cheiros da cozinha.
- Quando o exaustor está em funcionamento, especialmente em conjunto com fogões a gás, certifique-se de que o ambiente está ventilado com ar limpo.
- Tenha cuidado para não ligar o aparelho a chaminés usadas com dispositivos não elétricos. (Por exemplo: Chaminé do aquecedor).
- Um funcionamento simultâneo e suave do exaustor com outro dispositivo que necessite de ar, só é possível quando se atinge uma baixa pressão de 4 Pa (0,04 mbar) evitando-se assim a reabsorção do gás. Isto só pode ser conseguido por meio do ar que entrar através de aberturas não cobertas (porta, janela, aberturas de ventilação ou outras medidas técnicas). Tome o máximo cuidado para que exista um fluxo de ar suficiente.

Uma chaminé que serve para entrada/saída de ar não é suficiente para este fim.

## 1.1.3 Segurança das crianças

- Os materiais de embalagem são perigosos para as crianças. Mantenha os materiais de embalagem fora do alcance das crianças.
- Os aparelhos elétricos são perigosos para as crianças. Mantenha as crianças afastadas do produto. Não permita que as crianças brinquem com o aparelho.
- Este aparelho pode ser utilizado pelas crianças com 8 ou mais anos de idade, e por pessoas que possuam capacidades físicas, sensoriais ou mentais limitadas, desde que sejam supervisionadas no que diz respeito à utilização segura do produto ou sejam orientadas em conformidade e compreendam os riscos da utilização do produto. As crianças não devem brincar com o aparelho.
- **CUIDADO:** As partes acessíveis podem aquecer ao serem utilizadas com um dispositivo para cozinhar.

## 1.2 Utilização prevista

- Este aparelho destina-se a utilização doméstica. Não é adequado para uso comercial e não pode ser utilizado para além do seu uso previsto.
- O fabricante não será responsável por qualquer dano causado pelo uso ou manuseamento indevido.
- O tempo de vida do seu aparelho é de 10 anos. Este é o período exigível para disponibilidade de peças sobressalentes para funcionamento adequado do produto.
- **AVISO:** A não fixação dos parafusos de acordo com as instruções fornecidas no manual pode dar origem a acidentes elétricos.

## 1.3 Conformidade com a Diretiva REEE e eliminação de resíduos



Este produto está em conformidade com a Diretiva REEE (2012/19/UE). Este produto trás um símbolo de classificação para reciclagem de equipamentos elétricos e eletrónicos (REEE).

Este produto foi fabricado com materiais e peças de alta qualidade que podem ser reutilizados e são apropriados para reciclagem. Não elimine o produto juntamente com o lixo doméstico normal no fim da sua vida útil. Leve-o a um ponto de recolha para a reciclagem de equipamentos elétricos e eletrónicos. Por favor, consulte as suas autoridades locais para saber mais sobre estes centros de recolha.

## Conformidade com a Diretiva RoHS:

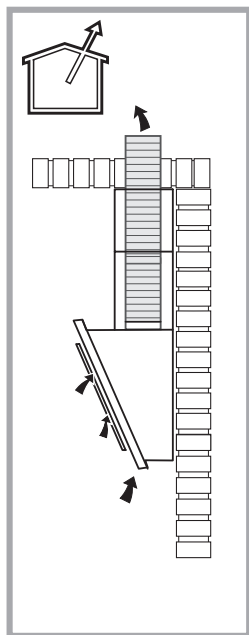
O produto que comprou está em conformidade com a Diretiva EU RoHS (2011/65/EU). Não contém materiais prejudiciais ou proibidos especificados na Diretiva.

## 1.4 Informação de embalagem

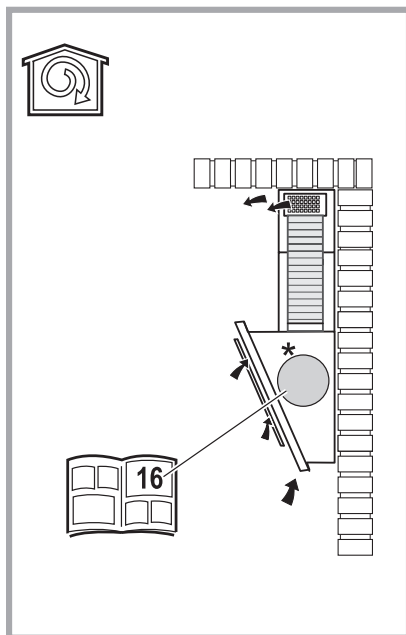


A embalagem do produto é feita de materiais recicláveis, de acordo com a nossa legislação nacional. Não elimine os materiais da embalagem juntamente com os resíduos domésticos ou outros tipos de resíduos. Leve-os para os pontos de recolha de materiais de embalagem designados pelas autoridades locais.

## 2 Especificações técnicas do seu aparelho



 Utilização com a chaminé



 Utilização com o filtro de carvão vegetal

As marcações no produto ou os valores indicados em outros documentos fornecidos com o produto são valores obtidos em condições de laboratório de acordo com as normas relevantes. Estes valores podem mudar de acordo com as condições de utilização e ambiente do produto.

## 3 Instalação do seu aparelho

Por favor, consulte o Agente de Serviço Autorizado mais próximo para instalação do exaustor.

\*A preparação do local e a instalação elétrica do produto está sob a responsabilidade do cliente.



**AVISO:** Remova o filme protetor (se o houver) da superfície da chaminé e do exaustor, após a instalação.

A altura entre a superfície inferior do exaustor e a superfície superior da placa não deve ser inferior a 50 cm para placas a gás e 45 cm para placas elétricas.

Faça com que seja um electricista qualificado a fazer a ligação elétrica.

Instale o seu produto de modo a que consiga alcançar facilmente a ligação elétrica (tomada, ficha) após a instalação.

As dimensões são dadas em mm.

### 3.1 Ligação elétrica

- A alimentação elétrica deve estar em conformidade com as informações fornecidas na placa no interior do exaustor. Ligue o exaustor a uma tomada em conformidade com os regulamentos atuais, através de uma ficha e coloque-o numa área acessível. Após a instalação: se o dispositivo não tem uma ficha (ligação direta à corrente de alimentação) ou se a ficha está fora de alcance, use um interruptor de dupla polaridade de acordo com as normas, que permita o desligamento da ficha principal sob as circunstâncias relacionadas com sobre-corrente de categoria III.



**AVISO:** Antes de voltar a ligar o exaustor à corrente de alimentação e verificar se funciona corretamente, verifique se o cabo de alimentação principal está também ligado corretamente

- O exaustor está equipado com o cabo de alimentação especial. Contacte o Agente de Serviço Autorizado se o cabo de alimentação estiver danificado.

### 3.2 Instalação

#### 3.2.1 Antes de começar a instalação:

- Verifique se o produto adquirido tem dimensões adequadas para o local de instalação.
- Remova o filtro de carvão vegetal ativo (\*), se fornecido (veja também o parágrafo respetivo). Esse só será instalado que quiser utilizar o exaustor como um modelo de filtro.
- Verifique se quaisquer outros materiais (tal como a embalagem de parafusos (\*), cartão de garantia (\*) etc.) foram entregues com o exaustor e, se estiverem à mão, retire-os e guarde-os noutra lugar.
- Se possível, remova a placa independente ou a placa deslizante e afaste-as de modo a chegar à parede traseira/teto facilmente. Se não for possível, cubra a bancada, placa ou forno com um pano protetor espesso de forma a protegê-los contra danos e sujidade. Escolha uma superfície plana para instalar o aparelho. Cubra a superfície com um pano protetor e coloque sobre ele todas as peças soltas do exaustor e acessórios.
- Além disso, verifique se está disponível uma ficha na área de montagem do exaustor (e ainda sobre a área acessível após a montagem do exaustor) e verifique se é possível ligar o exaustor ao exterior (apenas para o modelo com aspiração).
- Termine todas as operações relativas à parede (por exemplo, ligar a tomada e/ou abrir um buraco para o cano de descarga).

### 3 Instalação do seu aparelho

Estão disponíveis pinos largos para permitir a fixação do exaustor sobre uma variedade de tipos de parede/teto. Além disso, a conformidade do material em relação ao tipo da parede/teto deverá ser confirmada por um técnico qualificado. A parede/teto deverá ser capaz de suportar o exaustor. Não monte o aparelho sobre superfícies de azulejos, estuque ou silicone. Monte-o apenas numa parede.

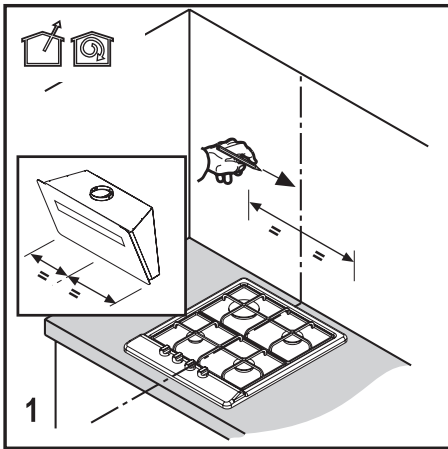
Se existir um painel e/ou parede lateral e/ou mobiliário, verifique se há lugar suficiente para a montagem do exaustor e se o painel de controlo tem fácil acesso.

## 3 Instalação do seu aparelho

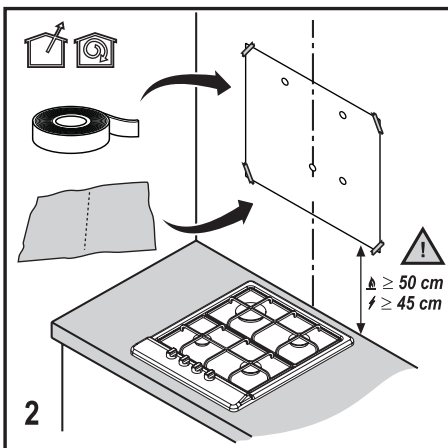
### 3.2.2 Preparação para a montagem do exaustor na parede

A informação necessária para a preparação do local de instalação do seu exaustor é fornecida abaixo.

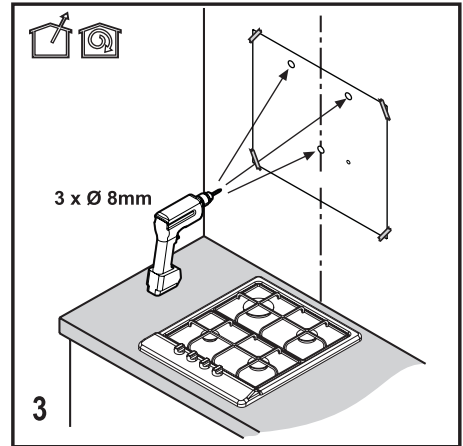
1. Marque a superfície no local onde o modelo de montagem vai ser pendurado. **(Figura 1)**



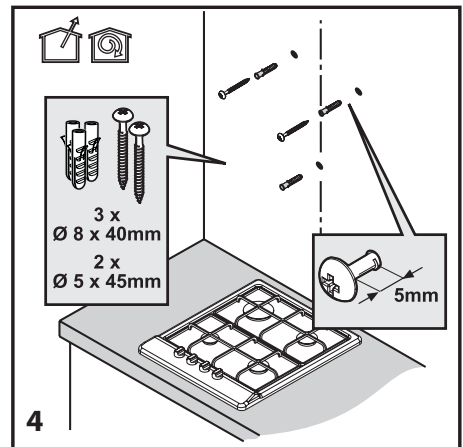
2. Afixe o modelo de montagem ao local de instalação do exaustor. **(Figura 2)**



3. Faça um furo com uma broca de  $\varnothing 8$  mm nos pontos marcados. **(Figura 3)**



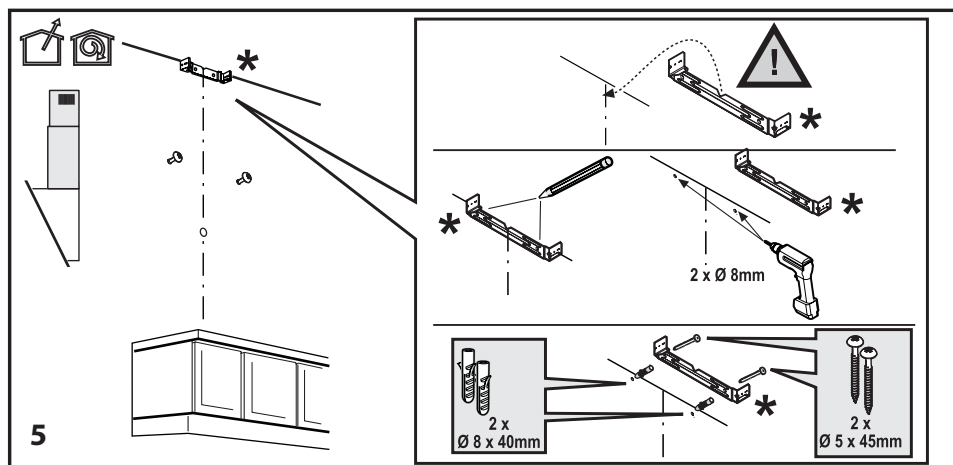
4. Martele 3 buchas de  $\varnothing 8 \times 40$  mm nos orifícios abertos. Aparafuse 2 peças de parafusos de suspensão de  $\varnothing 5 \times 45$  mm às buchas inseridas acima. Deverá haver uma abertura de 5 mm entre a cabeça do parafuso e a parede. **(Figura 4)**



## 3 Instalação do seu aparelho

### 3.2.3 Montagem do cano do exaustor

Fure nos pontos marcados com broca de  $\varnothing 8$  mm para fixar a placa da chaminé. Martele 2 buchas de  $\varnothing 8 \times 40$  mm nos orifícios abertos. Aparafuse 2 peças de parafusos de suspensão de  $\varnothing 5 \times 45$  mm às buchas inseridas acima. **(Figura 5)**

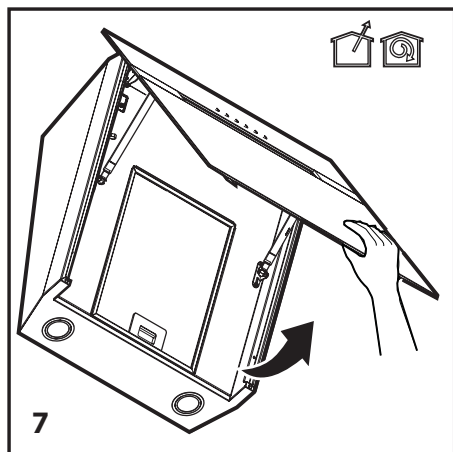




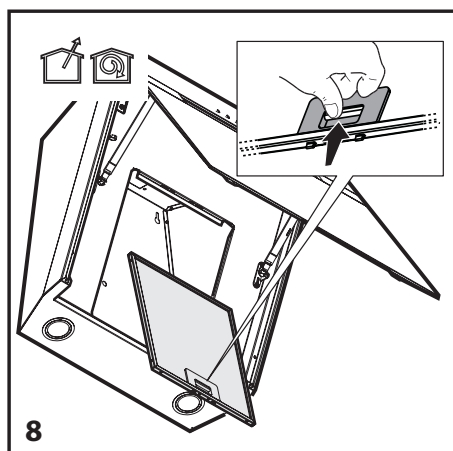
## 3 Instalação do seu aparelho

### 3.2.4 Montagem do exaustor na parede

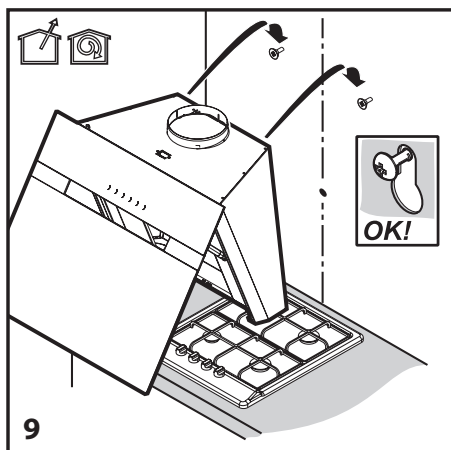
1. Remova o painel frontal para fixar o exaustor à parede. (Figura 7)



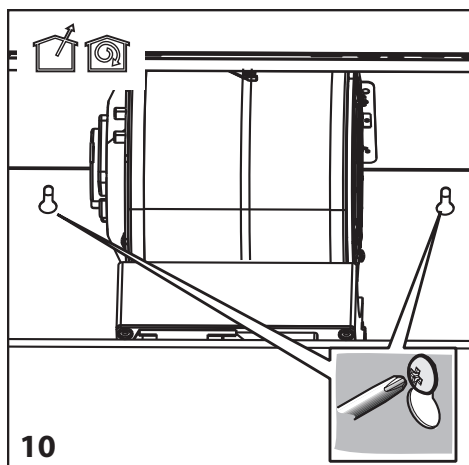
2. Remova os filtros. (Figura 8)



3. Coloque o exaustor de tal maneira que os parafusos combinem com as cabeças de parafuso. (Figura 9)

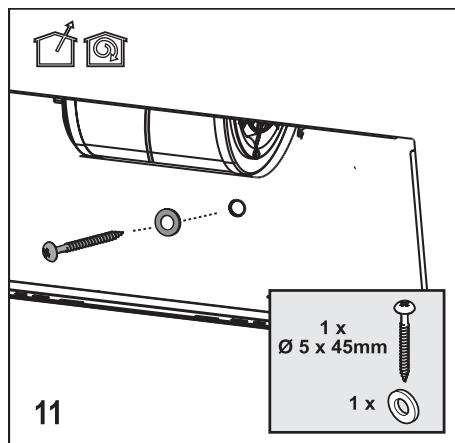


4. Aperte os parafusos para fixar o exaustor. (Figura 10)

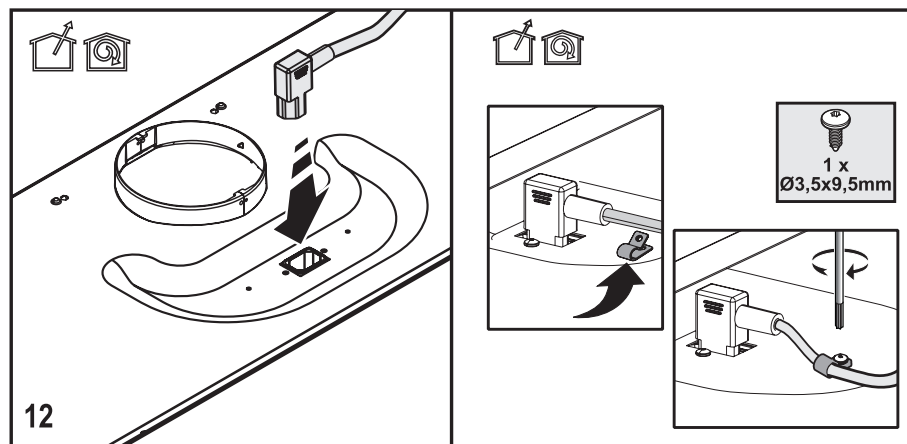


### 3 Instalação do seu aparelho

5. Para apertar o exaustor, use anilhas e aperte com parafusos  $\varnothing 5 \times 45$ . (Figura 11)

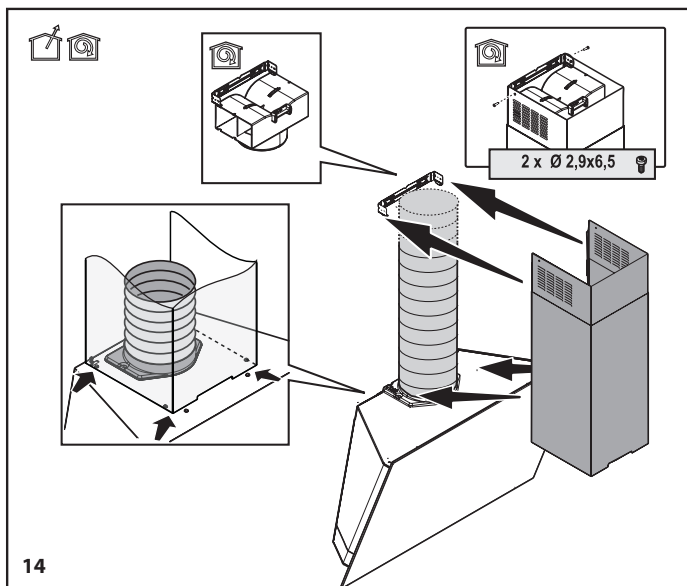
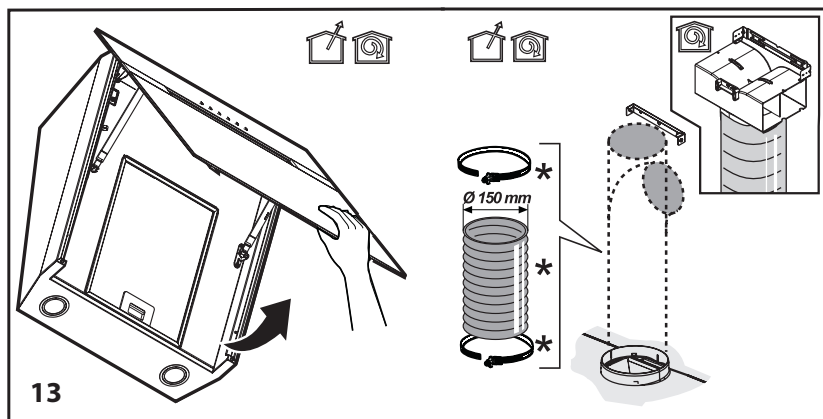


6. Ligue o cabo de alimentação. Use um parafuso de  $\varnothing 3,5 \times 9,5$  para apertar o cabo. (Figura 12)



### 3 Instalação do seu aparelho

7. Coloque a ligação da chaminé de acordo com as figuras. (Figura 13, 14)



## 4 Funcionar com o seu aparelho

### 4.1 Funcionamento

- Use alto poder de sucção se se formar vapor excessivo na cozinha. Recomenda-se que a unidade de sucção de exaustão da placa seja ligada 5 minutos antes de começar a cozinhar e que seja deixada ligada durante 15 minutos após terminar os cozinhados.

### 4.2 Controlo com níveis

	⊙		1		2		3		4		*	
	T1		T2				T3		T4			

- T1.** Tecla On/Off (Ligado/Desligado). Se o aparelho estiver desligado, liga-o. Se o aparelho estiver em qualquer nível de velocidade, desliga-o.
- T2.** Faz funcionar o aparelho nos níveis de velocidade 1, 2 e 3.
- Faz funcionar o aparelho no nível de velocidade 1. Luzes LED 1.
- Faz funcionar o aparelho no nível de velocidade 2. Luzes LED 2.
- Faz funcionar o aparelho no nível de velocidade 3. Luzes LED 3.
- T3.** Faz funcionar o aparelho no nível de velocidade 4 durante 5 minutos. Quando o aparelho está em funcionamento em qualquer nível (1, 2, 3) se esta tecla for pressionada, então o LED de velocidade atual ficará fixo e o LED do nível de velocidade 4 piscará. Ao fim de 5 minutos, o LED do nível de velocidade 4 desliga-se e o produto sairá do modo de velocidade máxima. Se a tecla de nível de velocidade 4 for pressionada antes de decorrerem 5 minutos, o produto sairá do modo de velocidade máxima.

- T4.** Tecla da lâmpada On/Off (Ligada/Desligada). Pressione esta tecla de forma breve para Ligar/Desligar a lâmpada. Pressione e mantenha premido durante mais de 1 segundo para selecionar um dos 5 níveis de brilho.

### 4.3 Alarme do filtro de gordura

O LED 1 a piscar avisa o utilizador que deverá limpar o filtro de metal. Quando este alarme surge, é altura de limpar o filtro de gordura. Pressione e mantenha premida a tecla ON/OFF (Ligar/Desligar) durante 3 segundos para reinicializar o aviso enquanto o aparelho estiver em funcionamento. O LED 1 parará de piscar.

### 4.4 Alarme do filtro de carvão

Este produto é entregue com o alarme do filtro de carvão vegetal desativado. Pressione e mantenha premidas as teclas 1 e 2 durante 3 segundos para ativar o aviso de limpeza do filtro de carvão vegetal enquanto o produto estiver desligado. Primeiro o LED 1 e depois o LED 1 e 2 acender-se-ão, o que indica que o aviso está ativado. Pressione e mantenha premidas as teclas 1 e 2 durante 3 segundos para desativar o aviso enquanto o produto está desligado. Primeiro o LED 1 e 2 depois o LED 1 acender-se-ão, o que indica que o aviso está desativado.

O LED 2 a piscar avisa o utilizador que deverá limpar o filtro de carvão vegetal. Pressione e mantenha premida a tecla ON/OFF (Ligar/Desligar) durante 3 segundos para reinicializar o aviso enquanto o aparelho estiver em funcionamento.

## 4 Funcionar com o seu aparelho



Se ambos os avisos do filtro de metal e de carvão vegetal forem ativados simultaneamente, a reinitialização de cada aviso deve ser efetuada separadamente.

### 4.5 Utilização energeticamente eficiente:

- Ao funcionar com o exaustor, ajuste o nível de velocidade de acordo com os odores e intensidade de vapor, de modo evitar consumo de energia desnecessário.
- Utilize velocidades baixas em condições normais (1-2) e velocidade elevadas (3-4) quando os cheiros e vapores se intensificam.
- As lâmpadas do exaustor destinam-se a iluminar a zona de cozinhados. Utilizá-las para iluminar o ambiente/cozinha resultará em consumo de energia desnecessário e iluminação inadequada.

## 5 Limpeza e manutenção

### 5.1 Limpeza

- Antes da limpeza e manutenção, desligue o aparelho ou desligue a corrente ou desaperte/ desligue o fusível que alimenta o exaustor.
- O exaustor deve ser limpo regularmente (pelo menos com a mesma frequência com que efetua a manutenção dos filtros de gordura) interna e externamente.
- Limpe o exaustor com um pano limpo humedecido com uma mistura de água quente e detergente líquido neutro.
- Não use produtos abrasivos. **NÃO USE ÁLCOOL!**



**AVISO:** A falha na execução das instruções de limpeza básica do exaustor e na substituição dos filtros pode causar um incêndio.

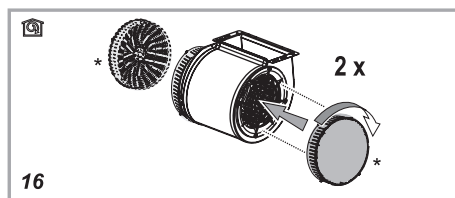
- Por esta razão, recomendamos que siga as instruções mencionadas.
- O fabricante não pode ser responsável por danos ao motor ou incêndio causados por manutenção inadequada ou por não serem seguidas as recomendações acima mencionadas.

### 5.2 Limpeza do painel de vidro

- O painel de vidro e as superfícies de sucção devem ser limpos com o mesmo intervalo válido para os filtros de gordura.
- Limpe com um pano húmido e um detergente líquido neutro.
- Evite usar produtos abrasivos. **NÃO LIMPE COM ÁLCOOL!**

### 5.3 Filtro de carvão vegetal (apenas para modelos com filtro)

- Após um longo período de utilização, o filtro de carvão vegetal pode ficar cheio dependendo do tipo de cozinhados e de o filtro de óleo ser ou não limpo regularmente.
- Em qualquer caso, a cassete deve ser substituída pelo menos a cada quatro meses (ou quando o sistema indicador de filtro cheio avisa que o filtro deve ser substituído (se disponível no modelo)). **(Figura 16)**
- O filtro de carvão vegetal não pode ser lavado ou reutilizado.



### Filtro de carvão vegetal circular

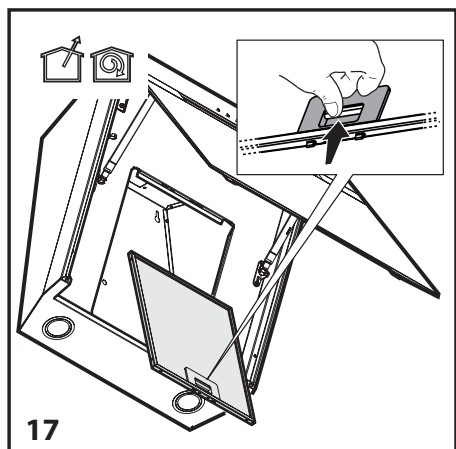
- Coloque um filtro ao lado das gaiolas de proteção da hélice do motor, e depois rode a peça no sentido horário.
- Para desmontar, rode a peça no sentido retrógrado.

### 5.4 Filtro de gordura

- Retém partículas de gordura causadas pelo processo de cozinhar.
- O filtro de gordura deve ser limpo mensalmente (ou o sistema de indicação de filtro cheio - se disponível no modelo adquirido - indicará quando for altura) utilizando detergente isento de ácido à mão ou na máquina de lavar louça com baixa temperatura e num programa curto.
- Quando lavado na máquina, a cor do filtro de gordura pode desvanecer-se ligeiramente, mas isso não afeta a capacidade de filtragem.

## 5 Limpeza e manutenção

- Puxe a alavanca de libertação do filtro para remover o filtro de gordura. **(Figura 17)**



### 5.5 Limpeza

- Especialmente não negligencie a limpeza do exaustor imediatamente após ter feito frituras.
- Utilize um pano macio embebido em detergente líquido para limpar a superfície exterior do seu exaustor.
- Nunca use abrasivos ou materiais de raspar para limpeza.
- Pode usar os agentes de limpeza comercialmente disponíveis para gorduras persistentes, etc. seguindo os avisos no produto. Para não riscar o corpo metálico polido, limpe na mesma direção do traçado.
- Não use agentes de limpeza que contenham ácido clorídrico, lixívia ou pós abrasivos, a fim de manter a qualidade da superfície do seu produto. Use um pano humedecido em água com sabão ou spray especial para limpeza de aço inoxidável para superfícies em inox. Remova o filme protetor do aparelho.



**Atenção:** Pode causar um incêndio se não seguir as instruções relativas a limpeza e substituição dos filtros do seu exaustor.



**Se precisar de transportar o aparelho:**

Mantenha a embalagem original do aparelho. Transporte o aparelho com a sua embalagem original e siga as marcações de transporte na embalagem original.

**Se não tem a embalagem original:**

- Não ponha objetos pesados sobre o exaustor.
- Proteja a superfície exterior contra impactos.
- Embale o produto de modo a que não seja danificado durante o transporte.

### 5.6 Substituição das lâmpadas



**AVISO:** Antes de tocar nas lâmpadas, certifique-se de que já arrefeceram.



Contacte o Agente de Serviço Autorizado para substituição da lâmpada.

## Прочитайте это руководство перед началом эксплуатации!

Уважаемые покупатели!

Благодарим вас за выбор продукции компании Веко. Мы надеемся, что продукция, изготовленная на современном оборудовании и имеющая высокий уровень качества, будет служить вам наилучшим образом. Для этого перед началом эксплуатации внимательно прочитайте данное руководство и все прочие сопроводительные документы и используйте их в дальнейшем в справочных целях. При передаче изделия другому лицу передайте и это руководство. Соблюдайте все предостережения и пользуйтесь сведениями в руководстве пользователя.

Помните, что данное руководство пользователя может применяться и для некоторых других моделей. Различия между моделями четко описаны в руководстве.

### Условные обозначения

В разных разделах данного руководства по эксплуатации использованы следующие символы:



Важная информация и полезные советы по эксплуатации.



**ПРЕДОСТЕРЕЖЕНИЕ:** предупреждения об опасности травмирования или повреждения имущества.



Предупреждение об опасности поражения электрическим током.



Предупреждение о горячей поверхности.



Это изделие изготовлено на экологически безвредном, современном оборудовании, без нанесения ущерба окружающей среде.

Данное устройство удовлетворяет требованиям Директивы ЕС об отходах электрического и электронного оборудования (WEEE).



Устройство не содержит ПВХ.



В этом разделе содержатся правила техники безопасности, соблюдение которых позволит избежать травмирования или материального ущерба. При несоблюдении этих правил все гарантийные обязательства аннулируются.

## 1.1. Общая безопасность

- Процедуры по установке и ремонту должны выполняться авторизованным техническим специалистом. Фирма-производитель не несет ответственности за неисправности, возникшие по вине неуполномоченных лиц.
- Данный электроприбор не предназначен для использования лицами (включая детей) с ограниченными физическими, сенсорными и умственными возможностями либо не имеющими опыта и знаний. Необходимо следить за тем, чтобы дети не играли с электроприбором.

### 1.1.1. Электрическая безопасность

- Необходимо всегда отключать прибор от электросети во время процедур установки, технического обслуживания, очистки и ремонта.
- Во избежание возможных опасностей замену поврежденного шнура питания должно производить лицо, уполномоченное производителем, сервисный центр или специалист соответствующей квалификации (предпочтительно электрик) или лицо, назначенное импортером.
- Рабочее напряжение составляет 220–240 В.
- Не следует использовать прибор в неисправном состоянии, пока он не будет отремонтирован авторизованным техническим специалистом. Опасность поражения электрическим током!
- Не следует прокладывать шнур питания вблизи конфорок. В противном случае может возникнуть пожар, поскольку шнур питания быстро плавится.

- Запрещено включать штекер вытяжки в розетку, пока установка не будет полностью завершена.
- Для получения оптимальных характеристик длина внешнего проводника не должна превышать 4 м. Не следует сгибать проводник перпендикулярно под углом (90°) более 2 раз; его диаметр должен составлять не менее 120 мм.
- Следует отключать прибор от сети питания, прежде чем выполнять какие-либо работы с его внутренними частями.
- Включайте прибор только в розетку с заземляющим контактом.
- Необходимо соблюдать правила, установленные регуляторными органами в отношении выпуска отработанного воздуха.
- Расстояние между нижней поверхностью вытяжки и верхней поверхностью плиты/печи должно быть не менее 50 см для газовых горелок и 45 см – для электрических.
- Не следует использовать вытяжку без алюминиевых фильтров. Также не следует снимать фильтры, когда вытяжка работает.
- Ни в коем случае не следует прикасаться к лампам вытяжки после продолжительного времени работы. Горячие лампы могут обжечь руку.

## 1.1.2. Эксплуатационная безопасность изделия

- Для подключения дымохода к вытяжке можно использовать трубу диаметром 120 мм или 150 мм.
- Не следует подключаться к дымоходам, соединенным с плитами, выходными вентиляционными шахтами или к дымоходам над высоким пламенем.
- Следует избегать высокого пламени под вытяжкой. В противном случае частицы масляного фильтра могут воспламениться и привести к пожару.
- Конфорки необходимо включать только после установки на них кастрюль или сковородок. В противном случае повышенный нагрев может привести к деформации некоторых частей вытяжки.

- Прежде чем снять кастрюли или сковородки, следует выключить конфорки.
- Следует избегать огнеопасных материалов под вытяжкой.
- Во время жарки масло может воспламениться. Поэтому следует соблюдать осторожность в отношении одежды и штор.
- Во время жарки не следует оставлять плиту без присмотра; в противном случае горячее масло может стать причиной пожара.
- Если не очищать вытяжку с указанной периодичностью, существует опасность возникновения пожара.
- Следует соблюдать крайнюю осторожность и всегда надевать перчатки во время чистки вытяжки.
- Мы советуем запускать вытяжку на пару минут до начала приготовления пищи для увеличения мощности всасывания. Таким образом, достигается постоянная и стабильная мощность всасывания при возникновении испарений.
- После окончания приготовления пищи следует дать вытяжке поработать в течение 15 минут, чтобы удалить испарения и запахи, образовавшиеся во время приготовления.
- Во время использования вытяжки, особенно вместе с газовыми плитами, необходимо убедиться, что помещение вентилируется чистым воздухом.
- Необходимо следить, чтобы вытяжка не была подключена к дымоходам, которые используются неэлектрическими приборами. (Например: дымоход обогревателя).
- Одновременное и корректное использование вытяжки и других устройств, требующих воздуха для работы, возможно только при низком давлении 4 Па (0,04 мбар), что предупреждает обратное всасывание газа. Это достигается только за счет поступления воздуха из открытых проемов (двери, окна, вентиляционные отверстия и т. п.) Уделите особое внимание хорошему притоку воздуха. Дымоход, обеспечивающий забор или выпуск воздуха, недостаточен для данных целей.

## 1.1.3. Безопасность детей

- Упаковочные материалы представляют опасность для детей. Упаковочные материалы следует хранить в безопасном, недоступном для детей месте.
- Электроприборы представляют опасность для детей. Не следует подпускать детей близко к прибору. Не следует разрешать детям играть с прибором.
- Данным электроприбором могут пользоваться дети в возрасте от 8 лет и люди с ограниченными физическими, сенсорными или умственными возможностями или люди, не имеющих нужных знаний и опыта, если они находятся под надзором касательно безопасного пользования продукцией, получили соответствующие инструкции и понимают риски пользования прибором. Не позволяйте детям играть с прибором.
- **ВНИМАНИЕ!** Доступные для прикосновения части прибора могут нагреваться при использовании с устройством для приготовления пищи.

## 1.2. Назначение изделия

- Этот прибор предназначен для бытового применения. Прибор не подходит для коммерческого использования и не должен использоваться в целях, отличных от целевого назначения.
- Производитель не несет ответственности за какие-либо повреждения, возникшие в результате неправильного использования или обращения с прибором.
- Срок эксплуатации прибора составляет 10 лет. В течение этого времени обеспечивается наличие запасных частей, необходимых для корректного функционирования прибора.
- **ПРЕДОСТЕРЕЖЕНИЕ:** нарушение затягивания винтов, описанного в данных инструкциях, может привести к угрозе поражения электрическим током.

## 1.3. Соответствие Директиве WEEE и утилизация продукта



Данное изделие соответствует требованиям Директивы по утилизации отходов электрического и электронного оборудования (2012/19/ЕС). Изделие содержит символ отходов электрического электронного оборудования (WEEE).

Это изделие изготовлено из высококачественных материалов и компонентов, которые пригодны для повторного использования и подлежат вторичной переработке. После окончания срока эксплуатации не выбрасывайте это изделие с обычными бытовыми и прочими отходами. Его следует сдать в центр сбора отходов электрического и электронного оборудования. О местонахождении ближайшего центра сбора отходов можно узнать в местных органах власти.

## Соответствие Директиве ЕС по ограничению использования вредных веществ:

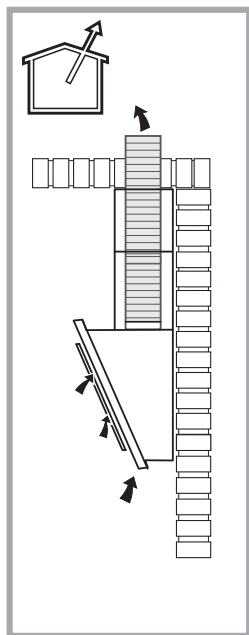
Приобретенное вами изделие соответствует требованиям Директивы по ограничению использования вредных веществ (2011/65/ЕС). Оно не содержит указанных в Директиве вредных веществ и запрещенных материалов.


## 1.4. Информация об упаковке

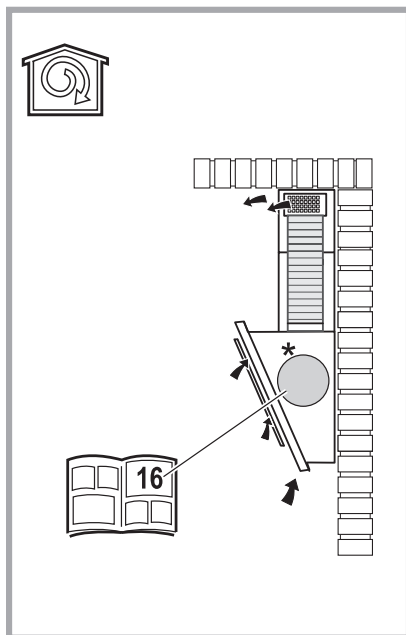



Упаковка прибора изготовлена из материалов, пригодных для вторичной обработки, в соответствии с государственными законами. Не выбрасывайте упаковочные материалы вместе с бытовыми или другими отходами. Отнесите их в пункты приема упаковочных материалов, учрежденные местными органами власти.

## 2 Технические характеристики прибора



 Использование с подключением к дымоходу



 Использование с угольным фильтром

Значения, указанные на маркировке электроприбора или в сопроводительных документах к нему, получены в лабораторных условиях согласно требованиям соответствующих стандартов. Фактические значения могут отличаться в зависимости от режима эксплуатации прибора и условий окружающей среды.

## 3 Установка прибора

Чтобы установить вытяжку, необходимо обратиться к ближайшему авторизованному техническому специалисту.

\*Ответственность за подготовку места для прибора и его электромонтаж несет покупатель.



**ПРЕДОСТЕРЕЖЕНИЕ:** необходимо снять защитную пленку (при ее наличии) с вытяжки и поверхности дымохода после установки.

Расстояние между нижней поверхностью вытяжки и верхней поверхностью конфорки должно быть не меньше 50 см для газовых конфорок и 45 см – для электрических.

Электрические соединения должны выполняться квалифицированным электриком.

Изделие следует устанавливать так, чтобы потом можно было с легкостью дотянуться до сети питания (розетки, выхода).

Размеры приведены в мм.

### 3.1. Подключение питания

- Характеристики сети должны соответствовать значениям, указанным на табличке с внутренней стороны вытяжки. Подключите вытяжку к розетке при помощи и обеспечьте доступ к месту подключения согласно действующим нормам. После установки: если устройство не имеет вилки (прямое подключение к сети) или вилка находится вне досягаемости, используйте двухполюсный выключатель в соответствии со стандартами, что позволяет осуществлять отключение от сети при возникновении сверхтоков категории III.



**ПРЕДОСТЕРЕЖЕНИЕ:** перед повторным подключением вытяжки к источнику питания и проверкой функционирования, убедитесь, что сетевой кабель подключен корректно.

- Вытяжка оснащена специальным кабелем питания. При его повреждении свяжитесь с авторизованным техническим специалистом.

## 3.2. Установка

### 3.2.1. Перед началом установки.

- Убедитесь, что размеры изделия соответствуют пространству для его установки.
- Снимите действующий угольный фильтр (\*), если таковой имеется (см. соответствующий раздел). Фильтр/фильтры будут устанавливаться только в том случае, если вы хотите использовать вытяжку в качестве модели с функцией фильтрования.
- Убедитесь в наличии всех материалов, поставляемых с вытяжкой (таких как упаковка элементов крепежа (\*), гарантийная карта (\*) и т. п.); если они присутствуют, извлеките их и отложите.
- По возможности снимите стоящую отдельно или передвигаемую плиту и отодвиньте ее в сторону, чтобы получить удобный доступ к задней стене или потолку. Если такая возможность отсутствует, накройте горелку, плиту или духовку толстой защитной тканью для защиты от загрязнений и повреждения. Выберите плоскую поверхность для установки прибора. Укройте поверхность защитной тканью и разложите на ней все детали и приспособления вытяжки.

### 3 Установка прибора

- Кроме того, проверьте доступность вилки в зоне установки вытяжки (включая зону доступа после сборки вытяжки) и внешние подключения прибора (только для моделей с функцией всасывания)
- Закончите все необходимые процедуры со стеной (например, подключение питания и/или организацию отверстия для спускного шланга).

Широкие дюбели допускают фиксацию вытяжки на самых различных типах стен/потолков. Дополнительно, квалифицированный технический специалист должен подтвердить соответствие материала типу стены или потолка. Стена/потолок должны выдерживать вес вытяжки. Не подвешивайте прибор на плитке, пластиковой или силиконовой поверхностях. Крепите его только на стену.

При наличии панели и/или боковой стенки и/или мебели, проверьте, чтобы хватало места для сборки и установки вытяжки, а также обеспечивался легкий доступ к панели управления.

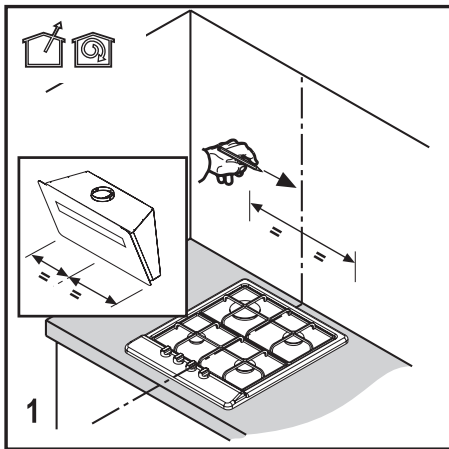


## 3 Установка прибора

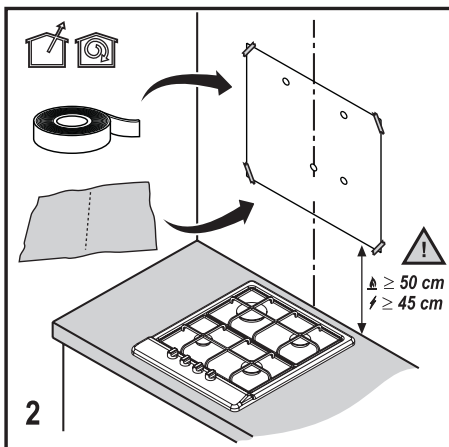
### 3.2.2. Подготовка к креплению вытяжки к стене

Информация, необходимая для подготовки места установки вытяжки, приводится ниже.

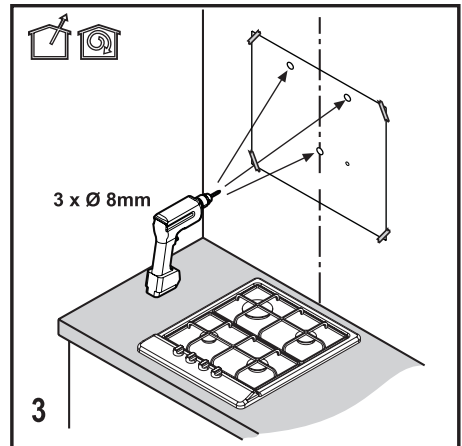
1. Сделайте отметки на поверхности согласно шаблону для крепления. (Рисунок 1)



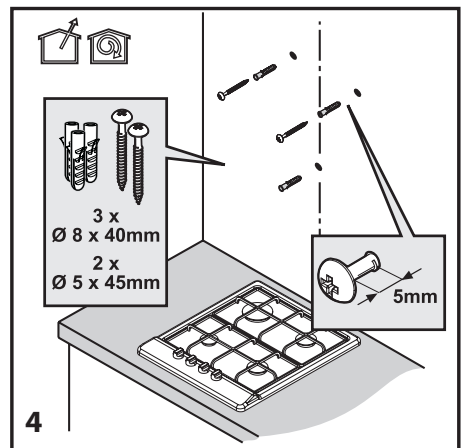
2. Прикрепите монтажный шаблон к месту для установки вытяжки. (Рисунок 2)



3. Просверлите отверстия сверлом  $\varnothing 8$  мм в отмеченных местах. (Рисунок 3)



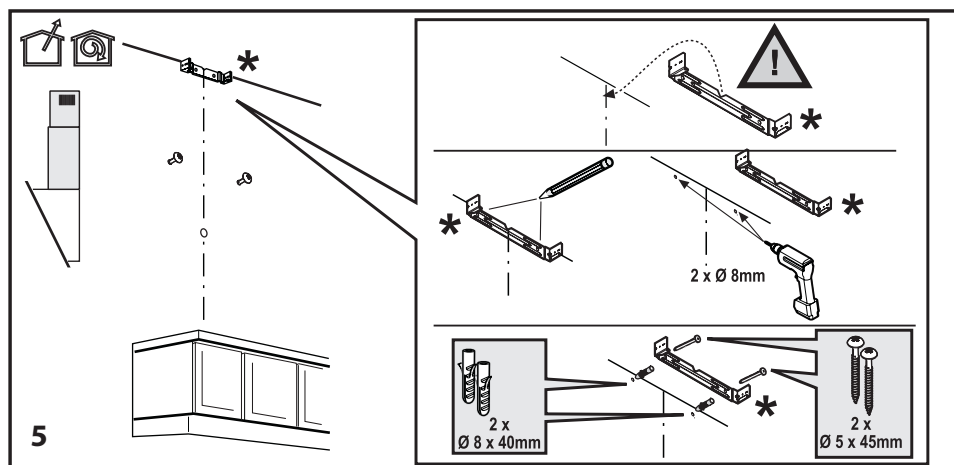
4. Установите 3 дюбеля  $\varnothing 8 \times 40$  мм в просверленные отверстия. Заверните 2 винта для подвешивания  $\varnothing 5 \times 45$  мм в вышеуказанные дюбели. Между головкой винта и стеной должен быть зазор в 5 мм (Рисунок 4)



## 3 Установка прибора

### 3.2.3. Сборка вытяжной трубы

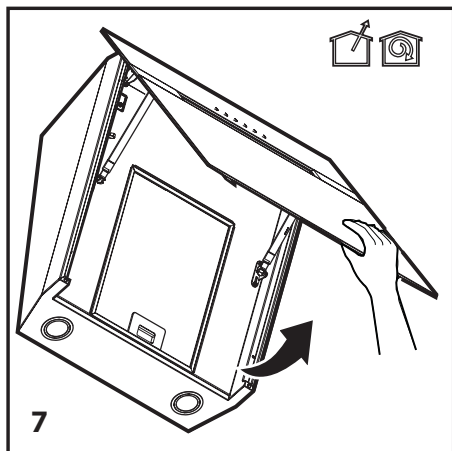
Просверлите отверстия в отмеченных точках сверлом  $\varnothing 8$  мм для прикрепления пластины дымохода. Установите 2 дюбеля  $\varnothing 8 \times 40$  мм в просверленные отверстия. Заверните 2 винта для подвешивания  $\varnothing 5 \times 45$  мм в забитые дюбели. (Рисунок 5)



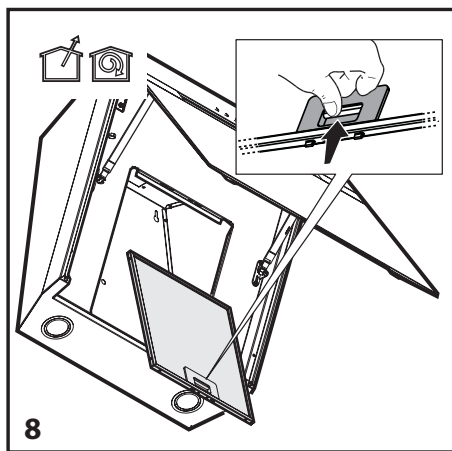
## 3 Установка прибора

### 3.2.4. Подготовка к креплению вытяжки к стене

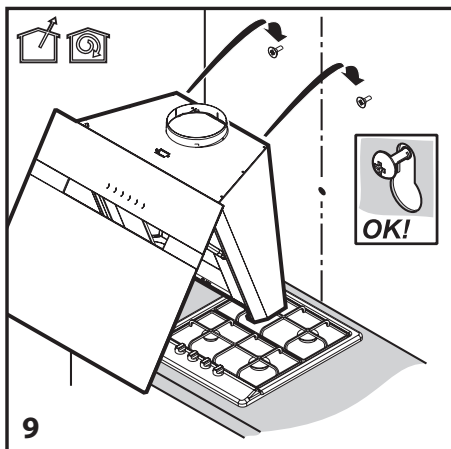
1. Удалите переднюю панель, чтобы прикрепить вытяжку на стену. (Рисунок 7)



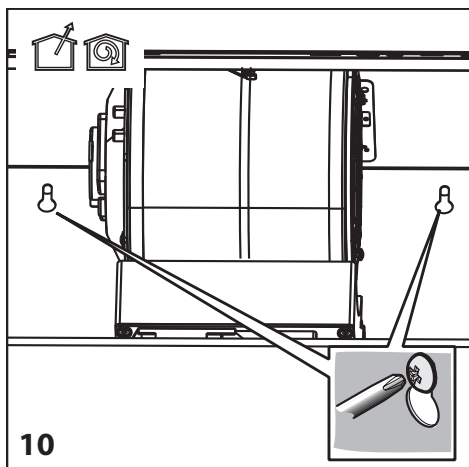
2. Удалите фильтры. (Рисунок 8)



3. Поместите вытяжку таким образом, чтобы головки винтов совпадали с соответствующими отметками. (Рисунок 9)

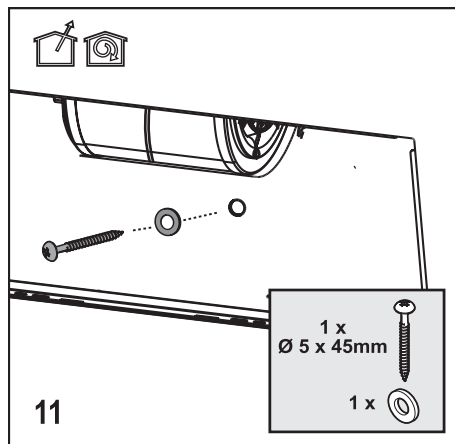


4. Затяните винты для фиксации вытяжки. (Рисунок 10)

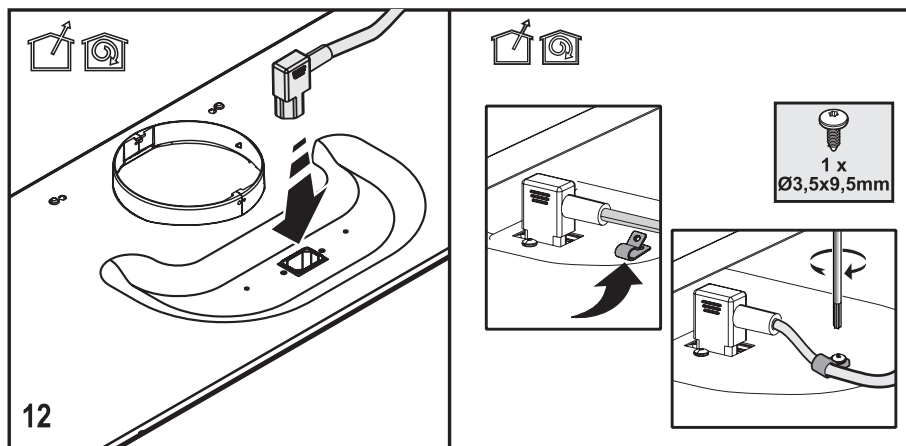


### 3 Установка прибора

5. Для закрепления вытяжки используйте шайбы и винты  $\varnothing 5 \times 45$ . (Рисунок 11)

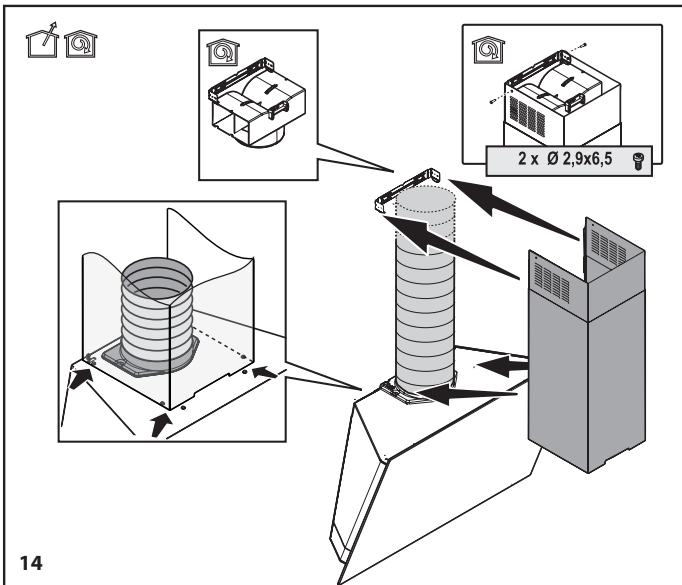
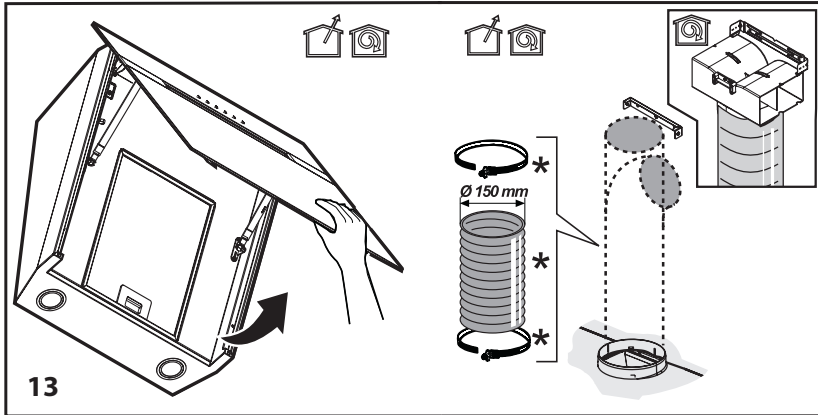


6. Подключите кабель питания. Используйте винт  $\varnothing 3,5 \times 9,5$  для фиксации кабеля. (Рисунок 12)



### 3 Установка прибора

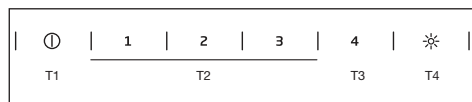
7. Подключите дымоход, как показано на рисунках. (Рисунок 13, 14)



### 4.1. Эксплуатация

- При образовании значительного количества испарений на кухне используйте высокую мощность всасывания. Рекомендуется, чтобы всасывающий узел вытяжки включался за 5 минут перед началом приготовления и работал в течение 15 минут после его окончания.

### 4.2. Управление скоростью работы



- T1.** Кнопка вкл./выкл. Если прибор ВЫКЛ., включите его. Если устройство работает на любом уровне скорости, ОТКЛЮЧИТЕ его.
- T2.** Запускает устройство на скоростях 1, 2 и 3.
- Запускает устройство на уровне скорости 1. Загорится светодиод 1.
- Запускает устройство на уровне скорости 2. Загорится светодиод 2.
- Запускает устройство на уровне скорости 3. Загорится светодиод 3.
- T3.** Запускает устройство на уровне скорости 4 на 5 минут. Если прибор работает на любом уровне скорости (1, 2, 3), при нажатии этой кнопки светодиод текущей скорости загорается ровным светом, а светодиод уровня скорости 4 начинает мигать. По истечении 5 минут работы на уровне скорости 4 светодиод ВЫКЛЮЧИТСЯ, а изделие выйдет из режима максимальной скорости. Если кнопка уровня скорости 4 нажата до истечения 5 минут, изделие также выйдет из режима максимальной скорости.

- T4.** Кнопка лампы вкл./выкл. Коротко нажмите кнопку для ВКЛ./ВЫКЛ. лампы. Нажмите и удерживайте дольше 1 секунды для выбора одного из 5 уровней яркости.

### 4.3. Сигнал фильтра-жироуловителя

Мигание светодиода 1 предупреждает пользователя о необходимости очистить металлический фильтр. Сигнал тревоги означает, что пора чистить фильтр-жироуловитель. Нажмите и удерживайте кнопку ВКЛ./ВЫКЛ. в течение 3-х секунд для возобновления предупредительного сигнала, когда изделие работает. Светодиод 1 прекратит мигать.

### 4.4. Сигнал угольного фильтра

Изделие поставляется с деактивированным угольным фильтром. Нажмите и удерживайте кнопки 1 и 2 в течение 3-х секунд для активации предупредительного сигнала об очистке угольного фильтра, когда изделие ВЫКЛЮЧЕНО. Сначала загорится светодиод 1, а потом светодиод 2, показывая, что предупредительный сигнал активирован. Нажмите и удерживайте кнопки 1 и 2 в течение 3-х секунд для деактивации предупредительного сигнала, когда изделие ВЫКЛЮЧЕНО. Сначала загорятся светодиоды 1 и 2, а потом светодиод 1, показывая, что предупредительный сигнал деактивирован.

Мигание светодиода 2 предупреждает пользователя о необходимости очистить угольный фильтр. Нажмите и удерживайте кнопку ВКЛ./ВЫКЛ. в течение 3-х секунд для возобновления предупредительного сигнала, когда изделие работает.



Если оповещения от металлических и угольных фильтров активны одновременно, то их сброс должен осуществляться отдельно для каждого предупреждения.

### 4.5. Энергоэффективное использование.

- Во время эксплуатации вытяжки следует отрегулировать уровень скорости в соответствии с интенсивностью запаха и образования испарений, чтобы избежать ненужного потребления энергии.
- Следует использовать низкие уровни скорости в нормальных условиях (1–2) и высокие уровни скорости (3–4) при появлении более интенсивного запаха и более высокой концентрации пара.
- Лампы на вытяжке предназначены для освещения варочной поверхности. Их использование для освещения пространства/кухни приведет к излишнему энергопотреблению и недостаточной освещенности.

### 5.1. Чистка

- Перед чисткой или обслуживанием необходимо отключить прибор от электросети, или выключить главный выключатель, или ослабить/отключить предохранитель, который подает питание к вытяжке.
- Вытяжка нуждается в регулярной внешней и внутренней очистке (по крайней мере, с частотой очистки фильтров-жироуловителей).
- Очищать вытяжку следует при помощи ткани, смоченной раствором теплой воды и нейтрального чистящего средства.
- Не используйте абразивные материалы. **НЕ ИСПОЛЬЗУЙТЕ АЛКОГОЛЬ!**



**ПРЕДОСТЕРЕЖЕНИЕ:** несоблюдение базовых инструкций по очистке вытяжки и замене фильтров может привести к пожару.

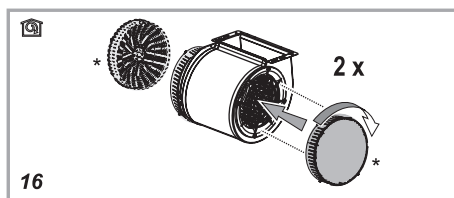
- Поэтому рекомендуем придерживаться указанных инструкций.
- Производитель не несет ответственности за механический ущерб или ущерб от пламени, вызванный неправильным обслуживанием или несоблюдением вышеуказанных рекомендаций.

### 5.2. Очистка стеклянной панели

- Стеклянную панель и поверхности всасывания следует очищать с той же периодичностью, что и фильтры-жироуловители.
- Очистку проводите тканью, смоченной в растворе нейтрального мощного средства.
- Избегайте использования абразивных средств. **НЕ ОЧИЩАЙТЕ ПРИ ПОМОЩИ АЛКОГОЛЯ!**

### 5.3. Угольный фильтр (только для моделей с фильтрами)

- После длительного периода использования угольный фильтр может переполниться, в зависимости от типа приготавливаемой пищи и регулярности очистки.
- В любом случае картридж следует менять не реже чем раз в четыре месяца (или по сигналу, если система оснащена индикатором наполнения фильтра, который и сигнализирует о потребности в замене). **(Рисунок 16)**
- Угольные фильтры не предназначены для мытья и повторного использования.



### Круговой угольный фильтр

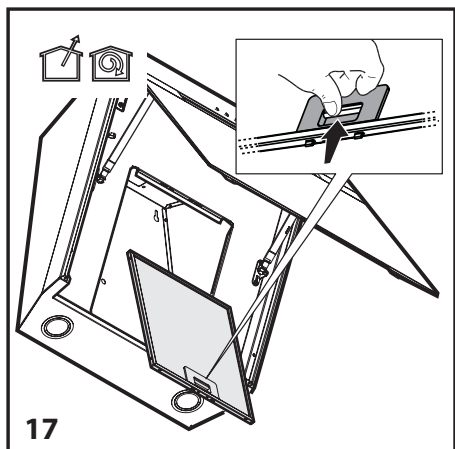
- Разместите один фильтр рядом с защитным кожухом пропеллера двигателя, затем поверните деталь по часовой стрелке.
- При разборке поверните деталь против часовой стрелки.

### 5.4. Фильтр-жироуловитель

- Улавливает частицы жира, образовавшиеся во время приготовления пищи.
- Фильтр-жироуловитель следует очищать ежемесячно (или же следить за индикатором заполнения фильтра, при наличии последнего в приобретенной модели) вручную при помощи не содержащего кислоты средства или же в посудомоечной машине, выбрав короткую программу с низкой температурой.



- При мойке в посудомоечной машине фильтр может немного выцвести, но это не повлияет на его функциональность.
- Чтобы извлечь жиросушитель, потяните за освобождающий пружину рычаг. (Рисунок 17)



### 5.5. Чистка

- Не следует пренебрегать чисткой вытяжки сразу после жарки.
- Для очистки внешней поверхности вытяжки необходимо использовать мягкую ткань, смоченную жидким моющим средством.
- Не следует использовать абразивные или царапающие материалы для чистки вытяжки.
- Можно использовать коммерчески доступные чистящие средства для постоянной смазки и т. д., придерживаясь предупреждающих инструкций на продукте. Чтобы не поцарапать щеткой стальной корпус, необходимо протирать его в направлении следа.

- Не следует использовать чистящие средства, содержащие соляную кислоту, отбеливатель или абразивные порошки, чтобы сохранить качество поверхности прибора. Используйте ткань, смоченную в мыльной воде, или специальный спрей для очистки поверхностей из нержавеющей стали. Следует снять защитную пленку с вытяжки.



**Внимание!** Несоблюдение инструкций по очистке и замене фильтров вытяжки может привести к пожару.



**В случае если необходимо перевезти прибор:**

сохраните оригинальную упаковку вытяжки; перевозить вытяжку следует в ее оригинальной упаковке, придерживаясь транспортной маркировки на упаковке.

### В случае отсутствия оригинальной упаковки:

- не следует класть на вытяжку тяжелые предметы;
- следует обезопасить внешнюю поверхность от ударов;
- следует упаковать прибор таким образом, чтобы не повредить ее во время транспортировки.

### 5.6. Замена ламп



**ПРЕДОСТЕРЕЖЕНИЕ:** перед тем как прикасаться к лампам, убедитесь, что они остыли.



Для замены ламп свяжитесь с авторизованным техническим специалистом.

## Najskôr si prečítajte túto používateľskú príručku!

Drahý zákazník,

Ďakujeme vám, že ste si vybrali produkt značky Beko. Dúfame, že dosiahnete najlepšie výsledky so svojím produktom, ktorý sa vyrobil s vysokou kvalitou a najmodernejšou technológiou. Z tohto dôvodu si pred použitím produktu pozorne prečítajte celú túto používateľskú príručku a všetky ostatné sprievodné dokumenty a uschovajte ich pre referenciu do budúcnosti. Ak produkt dáte niekomu inému, dajte mu tiež používateľskú príručku. Dodržujte všetky varovania a informácie v používateľskej príručke.

Nezabúdajte, že táto používateľská príručka sa vzťahuje aj na niekoľko ďalších modelov. Príručka bude poukazovať na rozdiely medzi modelmi.

### Význam symbolov

V rôznych častiach tohto návodu na použitie sú použité nasledujúce symboly:



Dôležité informácie o užitočných tipoch na použitie.



**VAROVANIE:** Upozornenie na nebezpečné situácie týkajúce sa ohrozenia života a majetku.



Varovanie pred zásahom elektrickým prúdom.



Upozornenie na horúce povrchy.



Tento produkt bol vyrobený v ekologicky šetrných a moderných zariadeniach bez poškodenia prírody.

# Dôležité bezpečnostné pokyny a pokyny týkajúce sa životného prostredia

Táto časť obsahuje bezpečnostné pokyny, ktoré vám pomôžu vás ochrániť pred rizikom fyzického zranenia alebo škody na majetku. Nedodržanie týchto pokynov zruší platnosť záruky.

## 1.1 Všeobecná bezpečnosť

- Inštalačné a opravárske úkony vždy zverujte do rúk autorizovaného servisného technika. Výrobca nenesie zodpovednosť za škody, ktoré môžu spôsobiť ním neautorizované osoby.
- Tento spotrebič nie je určený na použitie osobami (vrátane detí) so zníženými fyzickými, vnemovými a duševnými schopnosťami, prípadne nedostatkom skúseností alebo znalostí. Na deti je potrebné dohliadať, aby sa nehrali so spotrebičom.

### 1.1.1 Elektrická bezpečnosť

- Počas inštalácie, údržby, čistenia a opravy vždy odpojte výrobok od siete.

- Ak je napájací kábel chybný, musí byť vymenený kvalifikovanou osobou certifikovanou výrobcom, popredajnom servisom a pod. (najlepšie elektrikárom) alebo osobou určenou dovozcom.
- Prevádzkové napätie je 220 až 240 V.
- Ak dôjde k poruche spotrebiča, nesmie sa prevádzkovať, kým sa nepodrobí oprave autorizovaným servisným technikom. Hrozí riziko zásahu elektrickým prúdom!
- Napájacie káble neved'te v blízkosti varných platní. V opačnom prípade môže dôjsť k požiaru, pretože napájací kábel sa ľahko roztaví.
- Digestor nikdy nezapájajte, kým inštalácia nie je dokončená.
- zahnutia a jeho priemer musí byť min.  $\varnothing 120$  mm. Ak sa má dosiahnuť optimálny výkon, externý vodič nesmie byť dlhší ako 4 m, nesmie obsahovať viac ako 2 kolmé ( $90^\circ$ )
- Spotrebič odpojte od napájania pred akoukoľvek prácou na vnútorných súčiastkach spotrebiča.
- Spotrebič zapájajte iba do uzemnenej zásuvky.

# Dôležité bezpečnostné pokyny a pokyny týkajúce sa životného prostredia

## 1.1.2 Produktová bezpečnosť

- Na pripojenie digestora k vetraciemu kanálu použite potrubie s priemerom 120 mm alebo 150 mm.
- Výrobok nepripájajte k vetracím kanálom, ku ktorým sú pripojené sporáky, vývodným šachtám ani vetracím kanálom so vzostupným plameňom. Dodržiavajte pravidlá, ktoré ustanovili miestne orgány pre výtlak odvádzaného vzduchu.
- Vzdialenosť medzi spodnou plochou digestora a hornou plochou sporáku / rúry by nemala byť menšia ako 50 cm v prípade plynových horákov a 45 cm v prípade elektrických platničiek.
- Digestor neprevádzkujte bez hliníkových filtrov a filtre nevyberajte počas prevádzky.
- Nikdy sa nedotýkajte svetiel digestora po dlhodobom použití. Horúce žiarivky vám môžu popáliť ruku.
- Dávajte pozor, aby pod produktom nevznikal silný plameň. V opačnom prípade sa čiastočky v olejovom filtri môžu vznietiť a spôsobiť požiar.
- Varné platne zapínajte až po tom, ako na ne položíte hrnce alebo panvice. V opačnom prípade môže stúpajúce teplo poškodiť určité súčasti produktu.
- Pred odstránením hrncov alebo panvíc vypnite varné platne.
- Pod digestor neumiestňujte horľavé materiály.
- Počas smaženia jedla sa olej môže vznietiť. Preto si dávajte pozor na odevy a záclony.
- Počas smaženia jedla nikdy nepochádzajte sporák bez dozoru; v opačnom prípade vriaci olej môže spôsobiť požiar.
- Ak sa digestor nečistí v špecifikovaných intervaloch, hrozí riziko požiaru.
- Pri čistení digestora si dávajte veľký pozor a na ruky si nasadzte rukavice.
- Odporúčame vám spotrebič ponechať v činnosti pár minút pred zahájením varenia, aby sa zvýšil sací výkon. Tým sa dosiahne kontinuálny a stabilný sací výkon na zachytávanie stúpajúcich pár.

# Dôležité bezpečnostné pokyny a pokyny týkajúce sa životného prostredia

- Digestor ponechajte v činnosti 15 minút po skončení varenia alebo smaženia, aby ste kuchyňu zbavili zápachu.
- Keď sa digestor používa, najmä v kombinácii s plynovými varičmi, uistite sa, že priestor sa vetrá čerstvým vzduchom.
- Dávajte pozor, aby ste spotrebič nepripájali k vetracím kanálom používaným zariadeniami inej ako elektrickej povahy. (Príklad: vetrací kanál ohrievača).
- Súčasný a hladký prevádzku digestora a ďalšieho zariadenia, ktoré využíva vzduch je možné iba ak je dosiahnutá nízkeho tlaku 4 Pa (0.04 mbar) a tak sa zabráni opätovnému vstrebanie plynu. Toho lez dosiahnuť iba pomocou vzduchu vychádzajúceho z nezakrytých otvorov (dvere, okno, vetracie otvory alebo iné technické prostriedky). Veľkú starostlivosť venujte zabezpečenie dostatočného prietoku vzduchu. K tomuto účelu nestačí prieduch, ktorý poskytuje prienik / východ vzduchu.

## 1.1.3 Bezpečnosť detí

- Baliace materiály sú pre deti nebezpečné. Baliace materiály uschovajte na bezpečnom mieste mimo dosahu detí.
- Elektrické spotrebiče sú pre deti nebezpečné. Deti držte v bezpečnej vzdialenosti od produktu. Nedovoľte deťom hrať sa so spotrebičom.
- Tento spotrebič môžu používať deti staršie ako 8 rokov a ľudia s obmedzenými fyzickými, senzorickými alebo duševnými schopnosťami alebo ktoré nemajú dostatočné vedomosti a skúsenosti, pokiaľ na ne a bezpečné použitie produktu dospelá osoba alebo ak sú poučení o rizikách spojených s použitím produktu. Deti sa nesmú hrať so spotrebičom.
- **UPOZORNENIE:** Dostupné časti sa môžu rozohriať pri použití s vriacim zariadením.

## 1.2 Určené použitie

- Tento spotrebič je určený na použitie v domácnosti. Nie je vhodný na komerčné použitie a nesmie sa používať nad rámec určeného použitia.

# Dôležité bezpečnostné pokyny a pokyny týkajúce sa životného prostredia

- Výrobca nebude niešť zodpovednosť za žiadne škody spôsobené nevhodným používaním alebo manipuláciou.
- Prevádzková životnosť spotrebiča je 10 rokov. Toto je aj obdobie nevyhnutnej dostupnosti náhradných dielov na zabezpečenie funkčnosti produktu.
- **VAROVANIE:** Nevykonanie opravy skrutiek v súlade s pokynmi uvedenými v návode môžu viesť k úrazu elektrickým prúdom.

## 1.3 Súlad s nariadením WEEE a likvidácia vyradeného produktu



Tento produkt spĺňa smernicu EU WEEE (2012/19/EÚ). Tento výrobok je označený symbolom pre triedenie elektrického a elektronického odpadu (WEEE).

Tento produkt sa vyrobil z vysokokvalitných dielov a materiálov, ktoré sa dajú opätovne použiť a sú vhodné pre recykláciu. Produkt na konci životnosti nevyhadzujte do bežného domáceho odpadu. Odvezte ho do zberného miesta pre recykláciu elektrických a elektronických zariadení. Umiestnenie najbližšieho zberného miesta vám oznámi miestne úrady.

## Dodržiavanie smernice RoHS:

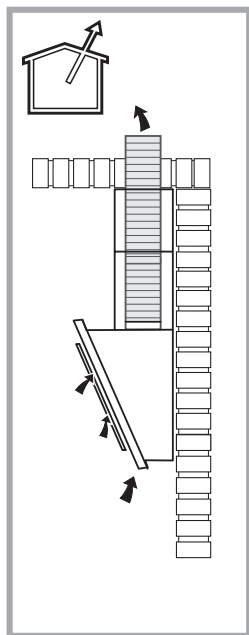
Produkt, ktorý ste zakúpili spĺňa smernicu EÚ RoHS (2011/65/EÚ). Neobsahuje škodlivé ani zakázané materiály špecifikované v smernici.

## 1.4 Informácie o balení

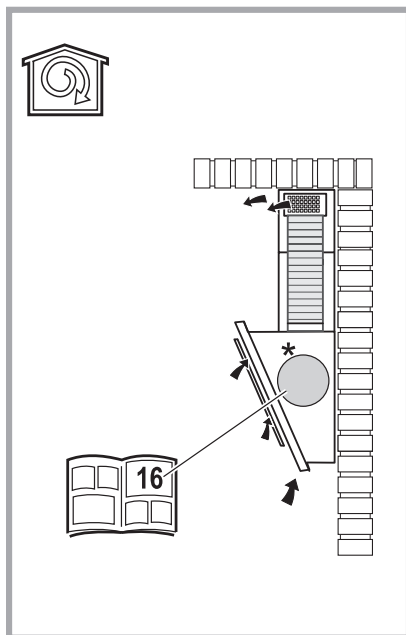


Balenie produktu je vyrobené z recyklovateľných materiálov, v súlade s našou národnou legislatívou. Baliaci materiál nelikvidujte spolu s komunálnym alebo iným odpadom. Zoberte ho na zberné miesto baliaceho materiálu, ktoré vytvorili miestne úrady.

## 2 Technické parametre vášho spotrebiča



 Použitie s dymovodom



 Použitie s filtrom s aktívnym uhlím

Označenia uvedené na výrobku alebo hodnoty uvedené v iných dodaných dokumentoch spolu s výrobkom boli získané v laboratórnych podmienkach podľa príslušných noriem. Tieto hodnoty sa môžu líšiť v závislosti od podmienok prevádzky a prostredia, v ktorom sa produkt používa.

## 3 Inštalácia spotrebiča

Ohľadom inštalácie digestora sa poraďte s najbližším autorizovaným servisným technikom.

\*Príprava na umiestnenie a elektrická inštalácia produktu je v zodpovednosti zákazníka.



**VAROVANIE:** Po inštalácii z digestora a vetracieho kanálu odstráňte ochranný povlak (ak je prítomný).

Vzdialenosť medzi nižším povrchom digestora a horným povrchom rúry/šporáku nesmie byť menšia ako 50 cm u plynových horákov a 45 cm pri elektrických platničkách.

Elektroinštalácií poverte kvalifikovaného elektrikára.

Spotrebič nainštalujte tak, aby bola napájacia prípojka (zástrčka, zásuvka) po inštalácii ľahko dostupná.

Rozmery sa udávajú v mm.

### 3.1. Napájací konektor

- Napájacie napätie musí zodpovedať hodnotám na štítku, ktorý je umiestnený v digestore. Digestor zapojte do zásuvky, ktorá je v súlade s aktuálnymi smernicami, využite zástrčku, ktorú umiestnite do dostupnej oblasti. Po inštalácii; ak zariadenie nemá zástrčku (priame zapojenie do napájania) alebo keď je zástrčka mimo dosahu, použite dvojpólový spínač, ktorý zodpovedá štandardom a ktorý umožní odpojenie napájania za okolností súvisiacich s kategóriou prepätia III.



**VAROVANIE:** Pred opakovaným zapojením digestora k zdroju napájania a kontrolou, či funguje správne, sa uistite, či je napájací kábel správne zapojený.

- Digestor je vybavená špeciálnym napájacím káblom. Ak je napájací kábel poškodený, kontaktujte zástupcu autorizovaného servisu.

## 3.2. Inštalácia

### 3.2.1 Pred inštaláciou spustíte:

- Skontrolujte, či má zakúpený produkt vhodnú veľkosť pre miesto inštalácie.
- V prípade, že je filter s aktívnym uhlím (\*) súčasťou balenia (pozri príslušný odsek), vyberte ho. Ten bude inštalovaný iba ak chcete digestor používať ako filtrovaný model.
- Skontrolujte, či sa s digestorom dodáva iný materiál (napr. Balenie skrutiek (\*), záručný list (\*), atď.), a ak je k pribalený, vyberte ho a uložte na iné miesto.
- Ak je to možné, vyberte voľne stojace alebo posuvný kolík a posuňte ho tak, aby ste na zadnú stenu/strop ľahko dosiahli. Ak to nie je možné, zakryte varnú dosku alebo rúru ochrannú látkou, aby ste ich tak ochránili pred poškodením a nečistotami. Pre inštaláciu spotrebiča vyberte rovný povrch. Povrch zakryte látkou a na ňu položte všetky časti digestora a náradia na montáž.
- Okrem toho skontrolujte, či je v mieste montáže digestora k dispozícii zástrčka (po stranách oblasti pre montáž digestora) a skontrolujte, či je možné zapojenie digestora von (iba pri modeli s nasávaním).
- Dokončite všetky činnosti súvisiace so stenou (napr. zapojenie zástrčky a/alebo otvorenie otvoru pre vypúšťaciu hadicu).

Široké hmoždinky slúži na upevnenie digestora na rôzne množstvo typov/stropov. Okrem toho musí kvalifikovaný technik potvrdiť typ materiálu steny/stropu. Stena/strop musí udržať zavesenú digestor. Spotrebič nemontujte na dlaždicové, obložené alebo silikónové povrchy. Montáž vykonajte iba na stenu.

V prípade existencie paneli a / alebo bočné steny a / alebo nábytku skontrolujte, či máte dostatok miesta pre montáž digestora a že ovládací panel bude ľahko dostupný.

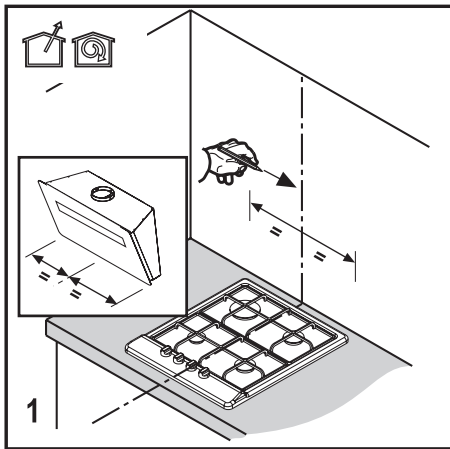


## 3 Inštalácia spotrebiča

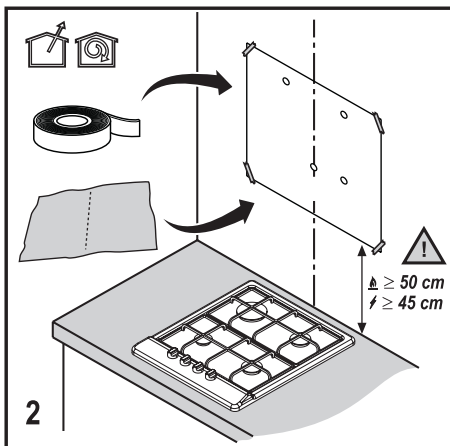
### 3.2.2 Príprava montáže digestore na stenu

Nižšie uvádzame informácie nevyhnutné na prípravu miesta inštalácie digestora.

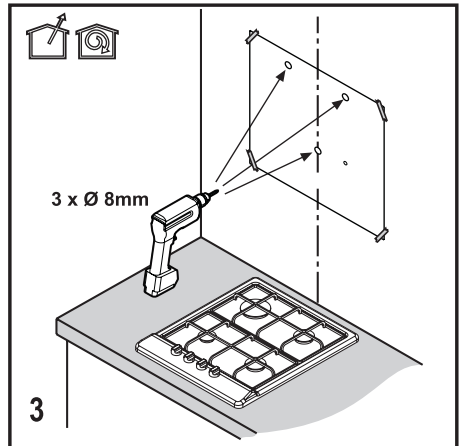
1. Označte miesto, kde bude vykonaná montáž. (Obr. 1)



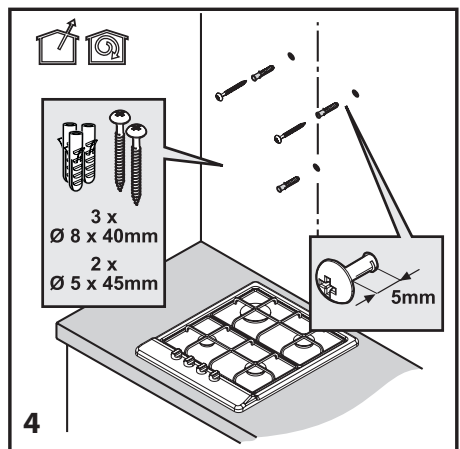
2. Upevnite šablónu pre montáž na miesto pre inštaláciu digestora. (Obr. 2)



3. Vrtákom o priemeru  $\varnothing 8$  mm vyvrtajte otvory na označených miestach. (Obr. 3)



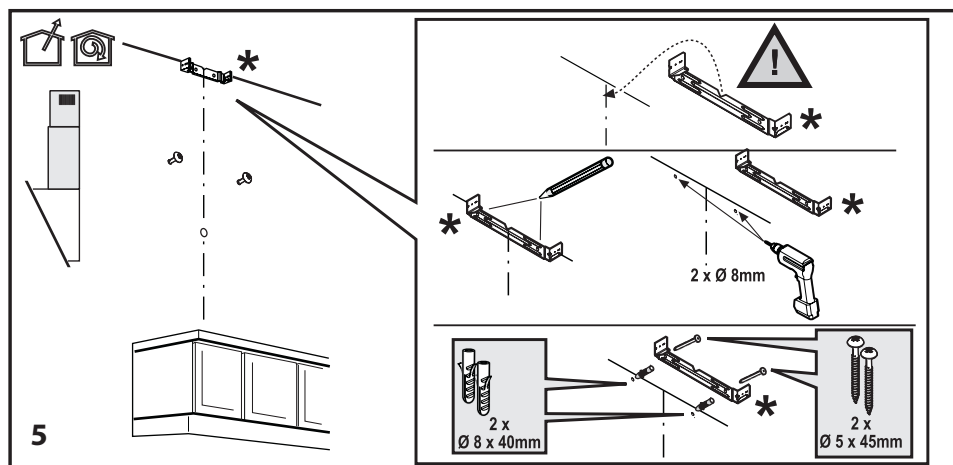
4. Do vyvrtaných otvorov zatlačte kladivom 3 hmoždinky o priemeru  $\varnothing 8 \times 40$ . Do zatlačných hmoždieniek zaskrutkujte 2 ks závesných skrutiek o priemeru  $\varnothing 5 \times 45$  mm. Medzi hlavnicou skrutky a stenou musí zostať 5 mm medzera. (Obr. 4)



## 3 Inštalácia spotrebiča

### 3.2.3 Montáž komína digestora

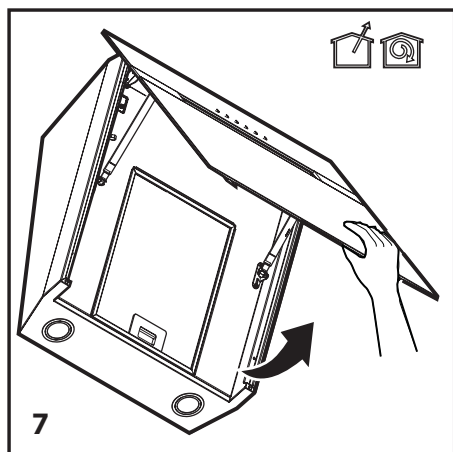
Vrtákom s priemerom  $\varnothing 8$  mm vyvrtajte otvory na vyznačených bodoch, aby ste mohli pripevniť dosku komína. Do vyvrtaných otvorov zatlačte kladivom 2 hmoždinky o priemere  $\varnothing 8 \times 40$  mm. Do zatlačených hmoždiniek zaskrutkujte 2 ks závesných skrutiek s priemerom  $\varnothing 5 \times 45$  mm. **(Obr. 5)**



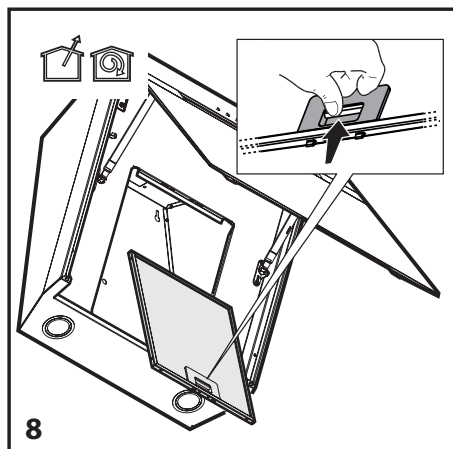
## 3 Inštalácia spotrebiča

### 3.2.4 Montáž digestore na stenu

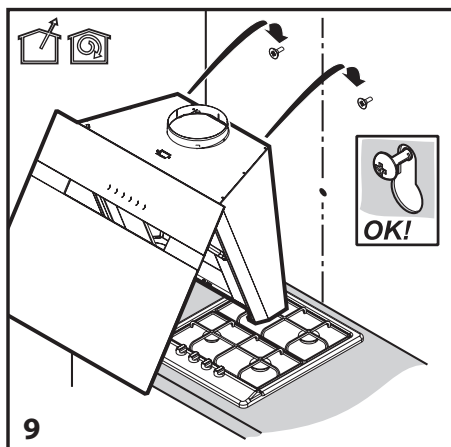
1. Odstráňte predný panel a digestor pripevnite na stenu. **(Obr. 7)**



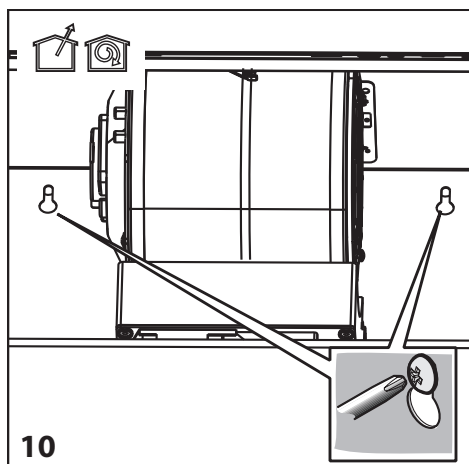
2. Vyberte filtre. **(Obr. 8)**



3. Digestor umiestnite tak, aby skrutky zodpovedali hlavám skrutiek. **(Obr. 9)**

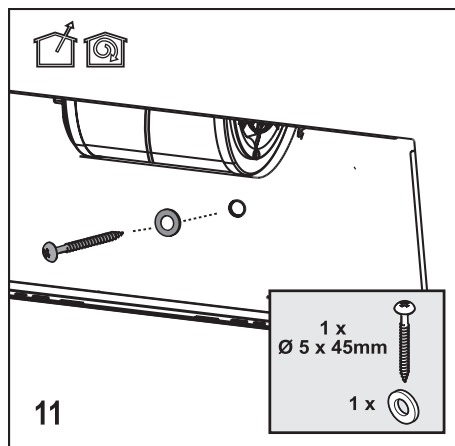


4. Uťahnite skrutky a súčasne aj digestor. **(Obr. 10)**

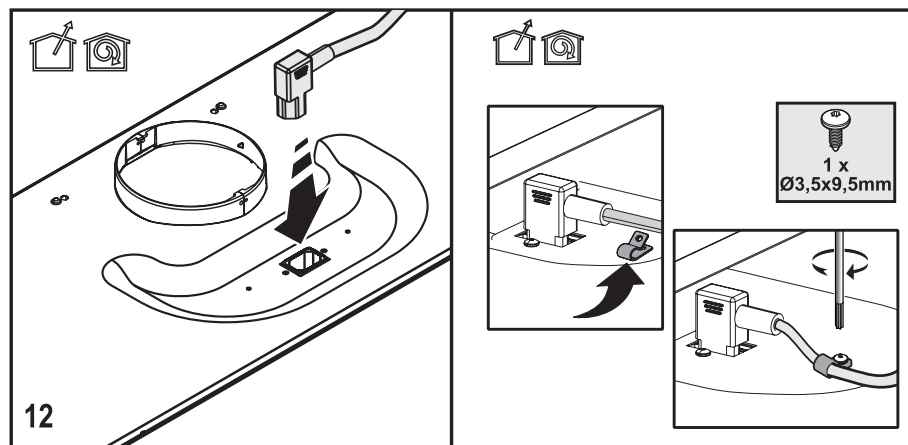


### 3 Inštalácia spotrebiča

5. K utiahnutí digestora použite podložky a utiahnite ju skrutkami o priemere  $\varnothing$  5x45. **(Obr. 11)**

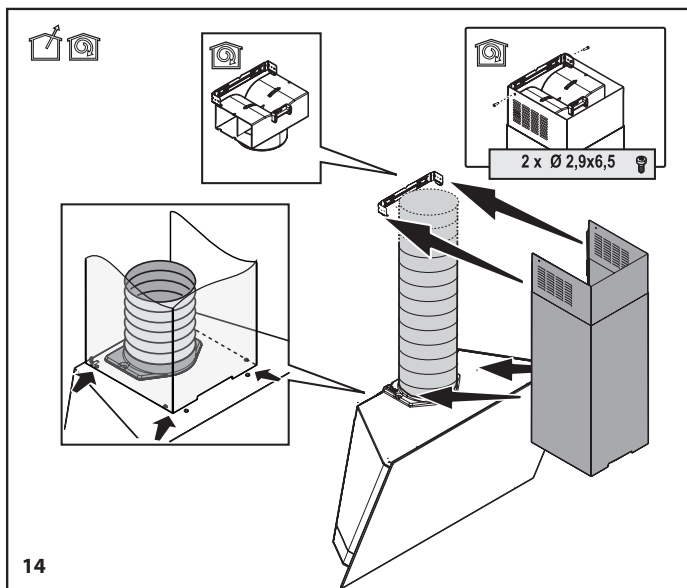
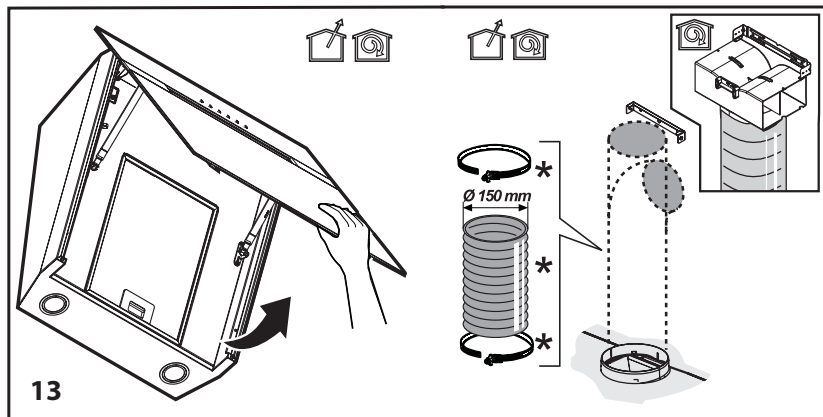


6. Zapojte napájací kábel. K utiahnutí kábla použite skrutku o priemere  $\varnothing$  3,5x9,5. **(Obr. 12)**



### 3 Inštalácia spotrebiča

7. Zapojenie komína vykonajte podľa obrázkov.  
(Obr. 13, 14)

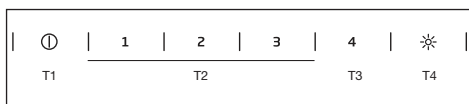


## 4 Prevádzka spotrebiča

### 4.1 Prevádzka

- Pokiaľ sa v kuchyni utvára nadmerné množstvo výparov, použite vysoký sací výkon. Odsávanie sa odporúča spustiť 5 minút pred začatím varenia a nechať 15 minút po dokončení varenia.

### 4.2 Ovládanie úrovni



- T1.** Tlačidlo Zap./Vyp. Ak je spotrebič VYP., zapnite ho. Ak je na spotrebiči zapnutá akákoľvek úroveň rýchlosti, vypnite ju.
- T2.** Ovláda spotrebič pri úrovniach rýchlosti 1, 2 a 3.
- Ovláda spotrebič pri úrovni rýchlosti 1. Svieti LED 1.
- Ovláda spotrebič pri úrovni rýchlosti 2. Svieti LED 2.
- Ovláda spotrebič pri úrovni rýchlosti 3. Svieti LED 3.
- T3.** Spotrebič spustíte pri úrovni rýchlosti 4 na dobu 5 minút. Kým je spotrebič pustený na niektoré z úrovni (1, 2, 3), ak dôjde k stlačení tohto tlačidla, potom sa rozsvieti LED aktuálnej rýchlosti a LED úrovne rýchlosti 4 sa rozbliká. Na konci 5 minút sa LED úrovne rýchlosti 4 vypne a produkt ukončí režim maximálnej rýchlosti. Ak je klávesa úrovne 4 stlačená 5 minút pred koncom, produkt ukončí režim maximálnej rýchlosti.
- T4.** Tlačidlo Zap./Vyp. žiarovku. Krátkym stlačením tlačidla zapnete/vypnete osvetlenie. Stlačte a podržte dlhšie než 1 sekundu a vyberte jeden z 5 úrovni jasu.

### 4.3 Alarm - mastnota na filtri

Blikajúca LED 1 upozorňuje užívateľa na vyčistenie kovového filtra. Keď sa spustí tento alarm, je čas vyčistiť mastnotu z filtra. Stlačte a podržte tlačidlo ZAP./VYP. po dobu 3 sekúnd a reštartuje varovania zatiaľ čo je produkt spustený. LED 1 prestane blikať.

### 4.4 Alarm - filter s aktívnym uhlím

Produkt sa dodáva s deaktivovaným alarmom, ktorý sa týka filtra s aktívnym uhlím. Klávesy 1 a 2 stlačte a podržte po dobu 3 sekúnd aktivujte upozornenie na vyčistenie filtra s aktívnym uhlím, produkt je medzitým vypnutý. Najprv sa rozsvieti LED 1, potom LED 1 a 2, ktoré značí, či je varovanie aktívované. Stlačte a podržte klávesu 1 a 2 po dobu 3 sekúnd a deaktivujte varovanie, produkt je medzitým vypnutý. Najprv sa rozsvieti LED 1 a LED 2, potom LED 1, ktoré značí, či je varovanie aktívované.

Blikajúca LED 2 upozorňuje užívateľa na vyčistenie filtra s aktívnym uhlím. Stlačte a podržte tlačidlo ZAP./VYP. po dobu 3 sekúnd a reštartuje varovania zatiaľ čo je produkt spustený.



Ak ich budete používať na osvetlenie okolia / kuchyne, dôjde k zbytočnému nárastu spotreby energie a nevhodnému osvetleniu.

### 4.5 Úsporné používanie:

- Pri obsluhu digestora úroveň otáčok nastavte podľa intenzity zápachu a tvorby pár, aby ste sa vyhli nadmernej spotrebe elektrickej energie.
- Za normálnych podmienok používajte nízke otáčky (1-2) a vysoké otáčky (3-4) zvolte v prípade intenzívneho zápachu a tvorby pár.
- Žiarivky na digestore slúžia na osvetlenie priestoru varenia. Ich používanie na osvetľovanie kuchyne/okolia spôsobí plytvanie elektrickou energiou a súčasne nedostatočné osvetlenie.

### 5.1 Čistenie

- Pred čistením a údržbou odpojte spotrebič alebo vypnite hlavný spínač alebo povoľte poistku pre digestor.
- Digestor nad varičom musí byť čistená pravidelne (minimálne s rovnakou frekvenciou, s ktorou vykonávate údržbu tukových filtrov), ako zvonku, tak aj zvnútra.
- Digestor vyčistíte čistou handričkou namočenú do zmesi teplej vody a neutrálneho čistiaceho prípravku.
- Nepoužívajte drsné produkty. **NEPOUŽÍVAJTE ALKOHOL!**



**VAROVANIE:** Nevykonanie základných odporúčaní o čistení digestora a výmeny filtrov môže spôsobiť riziko požiaru.

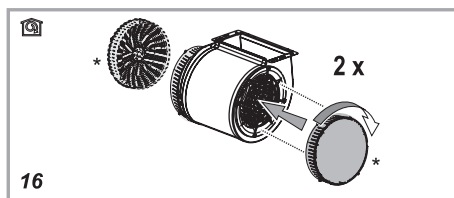
- Z tohto dôvodu vám odporúčame, aby ste postupovali podľa uvedených pokynov.
- Výrobca nenesie zodpovednosť za poškodenie motora a spôsobené nevhodnou údržbou alebo nedodržaním vyššie uvedených bezpečnostných opatrení.

### 5.2 Čistenie skleneného panelu

- Sklenený panel a sacie povrchy musia byť čistené v rovnakom intervale ako filtre.
- Na čistenie použite navlhčenú handričku a neutrálny čistiaci prostriedok.
- Vyhnite sa použitiu abrazívnych produktov. **NEČISTITE ALKOHOLOM!**

### 5.3 Filter s aktívnym uhlím (iba modely s filtrom)

- Po dlhodobom používaní sa môže filter s aktívnym uhlím zaniest, v závislosti na type varenia a pravidelnosti čistenia olejového filtra.
- Náplň musí byť vymenená každé štyri mesiace (alebo keď kontrolka plnosti filtra značí, že filter je potrebné vymeniť - ak je súčasťou modelu). **(Obr. 16)**
- Filter s aktívnym uhlím nemožno umývať a znovu používať.



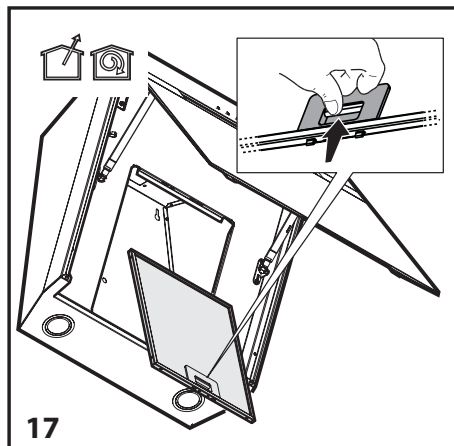
### Kruhový filter s aktívnym uhlím

- Jeden filter umiestnite vedľa ochranných kliečok chrániče motora, potom časť otočte v smere hodinových ručičiek.
- Pri demontáži časť otočte proti smeru hodinových ručičiek.

### 5.4 Filter mastnoty

- Uchová čiastočky mastnoty vzniknuté počas varenia.
- Filter mastnoty sa musí čistiť mesačne (alebo filtrovací systém s kontrolkou plnosti - ak je u zakúpeného modelu k dispozícii) pomocou čistiaceho prostriedku bez kyselín ručne, alebo v umývačke - pri nízkej teplote a na krátky program.
- Pri umývaní v umývačke sa môže farba filtra mierne zmeniť, ale to neovplyvňuje jeho filtrovaciu kapacitu.
- Pre vybratie filtra stlačte uvoľňovaciu páčku. **(Obr. 17)**

## 5 Čistenie a údržba



### 5.5 Čistenie

- Digestor nezabúdajte vyčistiť bezprostredne po dokončení smaženia.
- Vonkajší povrch digestora vyčistite jemnou tkaninou navlhčenou v tekutom detergente.
- Pri čistení nikdy nepoužívajte abrazívne alebo drsné materiály.
- Na odstránenie odolnej mastnoty môžete použiť komerčne dostupné čistiace prostriedky, pričom však dodržiavajte výstražné pokyny na produkte. Ak chcete zabrániť poškrabaniu telesa z brúsenej ocele, utierajte v smere výbrusu.
- V záujme zachovania povrchovej kvality produktu nepoužívajte čistiace prostriedky s obsahom kyseliny chlorovodíkovej, bielidlo ani abrazívne prášky. Použite tkaninu navlhčenú v mydlovej vode alebo špeciálny sprej na čistenie nehrdzavejúcej ocele určený na tento typ povrchov. Zo spotrebiča odstráňte ochranný povlak.



**Upozornenie:** V prípade nedodržania pokynov na čistenie a výmenu filtrov v digestore môže dôjsť k vzniku požiaru.



**Ak potrebujete spotrebič prepraviť:**

Ponechajte si originálny obal spotrebiča. Spotrebič prepravujte v pôvodnom obale a dodržiavajte pokyny vyplývajúce z významu prepravných značiek na pôvodnom obale.

**Ak nemáte pôvodný obal:**

- Na digestor neukladajte žiadne predmety.
- Vonkajšie povrchy chráňte pre nárazmi.
- Spotrebič zabaľte tak, aby sa pri preprave nepoškodil.

### 5.6 Výmena žiaroviek



**VAROVANIE:** Skôr, ako sa dotknete žiarovky, sa uistite, že vychladla.



Ohľadom výmeny žiaroviek kontaktujte zástupcu autorizovaného servisu.



## Vispirms izlasiet šo rokasgrāmatu!

Cien. klient!

Paldies, ka izvēlējāties Beko izstrādājumu. Mēs ceram, ka šis izstrādājums, kas ražots ar jaunāko augstas kvalitātes tehnoloģiju, jums sniegs vislabākos rezultātus. Tādēļ, pirms sākat to lietot, rūpīgi izlasiet visu lietotāja rokasgrāmatu un pārējo dokumentāciju un saglabājiet to lietošanai turpmāk. Ja jūs nododat izstrādājumu citai personai, kopā ar to nododiet arī šo lietotāja rokasgrāmatu. Ievērojiet visus šajā lietotāja rokasgrāmatā sniegtos brīdinājumus un norādījumus.

Atcerieties, ka šajā lietotāja rokasgrāmatā sniegtie norādījumi attiecas arī uz vairākiem citiem modeļiem. Rokasgrāmatā ir skaidri aprakstītas modeļu atšķirības.

### Sīmbolu nozīme

Dažādās šīs rokasgrāmatas nodaļās tiek izmantoti tālāk norādītie simboli.



Svarīga informācija un noderīgi padomi par lietošanu.



**BRĪDINĀJUMS!** Brīdinājumi par bīstamām situācijām, kas saistītas ar apdraudējumu dzīvībai un īpašumam.



Brīdinājums par elektrošoku.



Brīdinājums par karstu virsmu.



Šis izstrādājums ir ražots videi draudzīgās, mūsdienīgās ražotnēs, neradot kaitējumu dabai.

# 1 Svarīgi drošības un vides norādījumi

Šajā nodaļā ir sniegti drošības norādījumi, kas palīdzēs novērst traumu gūšanas un materiālu zaudējumu riskus. Neievērojot šos norādījumus, piešķirtā garantija kļūst nederīga.

## 1.1. Vispārēja drošība

- Uzstādīšanu un remontdarbus drīkst veikt tikai pilnvarota apkalpošanas dienesta speciālists. Ražotāju uzņēmums nav atbildīgs par bojājumiem, ko var radīt nepilnvarotas personas.
- Šo ierīci nav paredzēts lietot personām (tostarp bērniem) ar ierobežotām fiziskām, uztveres vai garīgajām spējām, kā arī personām bez atbilstošas pieredzes un zināšanām. Bērni ir jāpieskata, lai viņi nerotaļātos ar ierīci.

### 1.1.1. Elektrodrošība

- Uzstādīšanas, apkopes, tīrīšanas un remontdarbu laikā obligāti atvienojiet iekārtu no elektrotīkla.

- Ja strāvas kabelis ir defektīvs, tas ir jānomaina kvalificētam speciālistam, ko ir sertificējis ražotājs, garantijas remonta iestādē vai līdzīgā iestādē (vēlams, lai nomaiņu veiktu elektriķis), vai importētāja norādītai personai.
- Darba spriegums ir 220–240 volti.
- Ja ierīce ir bojāta, to nedrīkst lietot, kamēr pilnvarota apkalpošanas dienesta speciālists nav veicis tās remontu. Pastāv risks gūt elektriskās strāvas triecienu!
- Strāvas kabelis nedrīkst atrasties plīts virsmas tuvumā. Pretējā gadījumā strāvas kabelis var aizdegties, jo tas ir viegli kūstošs.
- Nepievienojiet tvaika nosūcēju strāvas avotam, kamēr uzstādīšana nav pabeigta.
- Lai nodrošinātu vislabāko darbību, ārējā pagarinātāja garums nedrīkst pārsniegt 4 m. Tas nedrīkst būt izliekts vairāk nekā 2 perpendikulāros (90°) leņķos, un tā diametram jābūt vismaz 120 mm.
- Pirms jebkādu darbību veikšanas ar ierīces iekšējām daļām atvienojiet to no strāvas avota.

# 1 Svarīgi drošības un vides norādījumi

- Izmantojiet ierīci tikai ar sazemētu kontaktlīgzdu.

## 1.1.2. Izstrādājuma drošība

- Tvaika nosūcēja gaisa izplūdes savienotājam var pievienot cauruli, kuras diametrs ir 120 mm vai 150 mm.
- Nesavienojiet ar izplūdes caurulēm, kas ir savienotas ar plītīm, dūmeņiem vai skursteņiem, kuros var pacelties liesmas. Ievērojiet vietējos noteikumus par izplūdes gaisa izvadīšanu.
- Attālumam starp tvaika nosūcēja apakšējo virsmu un plīts/krāsns augšējo virsmu jābūt vismaz 50 cm gāzes plītīm un 45 cm elektriskajām plītīm.
- Nelietojiet tvaika nosūcēju bez alumīnija filtriem un nenoņemiet filtrus tvaika nosūcēja darbības laikā.
- Nepieskarieties tvaika nosūdzēja lampiņām, ja tās ir ilgstoši bijušas ieslēgtas. Karstas lampiņas var izraisīt apdegumus.
- Nepieļaujiet lielu liesmu veidošanos zem izstrādājuma. Pretējā gadījumā eļļas filtrā esošās daļiņas var aizdegties un izraisīt ugunsgrēku.
- Vispirms uzlieciet uz plīts virsmas katlus vai pannas un tikai pēc tam ieslēdziet plīti. Pretējā gadījumā paaugstināta karstuma ietekmē dažas izstrādājuma detaļas var deformēties.
- Pirms pannu vai katlu noņemšanas no plīts virsmas izslēdziet plīti.
- Nepieļaujiet viegli uzliesmojošu materiālu atrašanos zem tvaika nosūcēja.
- Cepot ēdienu, eļļa var aizdegties. Tādēļ uzmaniet tekstilizstrādājumus un aizkarus.
- Cepot ēdienu, neatstājiet plīti bez uzraudzības – karstā eļļa var izraisīt ugunsgrēku.
- Ja tvaika nosūcējs netiek iztīrīts tik bieži, kā norādīts, pastāv aizdegšanās risks.
- Tīrot tvaika nosūcēju, ievērojiet īpašu piesardzību un lietojiet cimdus.

# 1 Svarīgi drošības un vides norādījumi

- Pirms ēdiena gatavošanas ieteicams ierīci dažas minūtes darbināt, lai palielinātos sūkšanas jauda. Tādējādi, kad veidosies tvaiks, ierīce nodrošinās nepārtrauktu un stabilu sūkšanas jaudu.
- Kad ēdiena gatavošana vai cepšana ir pabeigta, darbiniet ierīci vēl 15 minūtes, lai atbrīvotu virtuvi no tvaika un ēdiena aromāta.
- Lietojot tvaika nosūcēju, it īpaši kopā ar gāzes plīti, ir jānodrošina ventilācija ar svaiga gaisa pieplūdi.
- Gādājiet, lai ierīce netiktu savienota ar gaisa izplūdes caurulēm, kuras tiek izmantotas iekārtām, kas nav elektroierīces. (Piemērs: sildītāja dūmvads.)
- Tvaika nosūcēja un citu ierīču, kam ir nepieciešams gaiss, vienlaicīga un vienmērīga darbība ir iespējama tikai tad, kad tiek sasniegts zems spiediens (4 Pa/0,04 milibāri) un tādējādi tiek kavēta gāzes atkārtota absorbcija. To var nodrošināt, tikai izmantojot gaisu, kas nāk no nenosegtām atverēm (durvīm, loga, ventilācijas atverēm vai citiem tehniskiem risinājumiem).

Gādājiet par pietiekamu gaisa plūsmu. Dūmvads, kas nodrošina gaisa iekļūšanu/izkļūšanu, šim nolūkam nav pietiekams.

## 1.1.3. Bērnu drošība

- Iepakojuma materiāli ir bīstami bērniem. Glabājiet iepakojuma materiālus drošā un bērniem nepieejamā vietā.
- Elektroierīces ir bīstamas bērniem. Neļaujiet bērniem tuvoties izstrādājumam. Neļaujiet bērniem rotaļāties ar ierīci.
- Šo ierīci var izmantot bērni, kas vismaz 8 gadus veci, un personas, kam ir ierobežotas fiziskās, sensorās un mentālās spējas, vai tādi, kam nav zināšanu un pieredzes, ja šīs personas pieskata attiecībā uz drošu izstrādājuma izmantošanu vai ja šādām personām ir sniegti atbilstoši norādījumi un šīs personas izprot ar izstrādājuma lietošanu saistītos riskus. Bērni nedrīkst spēlēt ar ierīci.
- **UZMANĪBU!** Pieejamās daļas var uzkarst, ja tās tiek lietotas kopā ar gatavošanas ierīci.

# 1 Svarīgi drošības un vides norādījumi

## 1.2. Paredzētā lietošana

- Šī ierīce ir paredzēta lietošanai mājāsaimniecībā. Tā nav piemērota komerciālai lietošanai, un to drīkst lietot tikai paredzētajā veidā.
- Ražotājs neuzņemas atbildību par bojājumiem, kas radušies nepareizas lietošanas vai rīcības dēļ.
- Līsu iekārtas darbmūžs ir 10 gadi. Šajā periodā ir nepieciešama rezerves daļu pieejamība, lai nodrošinātu pareizu izstrādājuma darbību.
- **BRĪDINĀJUMS!** Nenostiprinot skrūves atbilstoši rokasgrāmatā sniegtajiem norādījumiem, var rasties ar elektrību saistīta bīstamība.

## 1.3. Atbilstība EEIA direktīvai un izstrādājuma utilizācija



Šis izstrādājums atbilst ES EEIA direktīvai (2012/19/ES). Šim izstrādājumam ir klasifikācijas simbols, kas norāda uz elektrisko un elektronisko iekārtu atkritumiem (EEIA).

Šis izstrādājums ir ražots no augstas kvalitātes detaļām un materiāliem, kurus var izmantot atkārtoti un kuri ir piemēroti pārstrādei. Pēc izstrādājuma ekspluatācijas beigām neutilizējiet to kopā ar parastiem sadzīves un citiem atkritumiem. Nogādājiet to elektrisko un elektronisko iekārtu savākšanas un pārstrādes punktā. Lai noskaidrotu šādu savākšanas punktu atrašanās vietu, sazinieties ar vietējām iestādēm.

## Tālāk aprakstīta atbilstība RoHS Direktīvai.

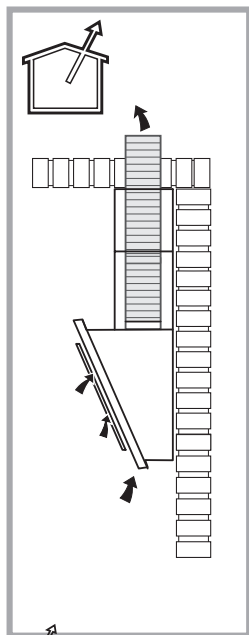
Iegādātais izstrādājums atbilst ES RoHS Direktīvai (2011/65/ES). Tas nesatur Direktīvā norādītos kaitīgos un aizliegtos materiālus.

## 1.4. Informācija par iepakojumu

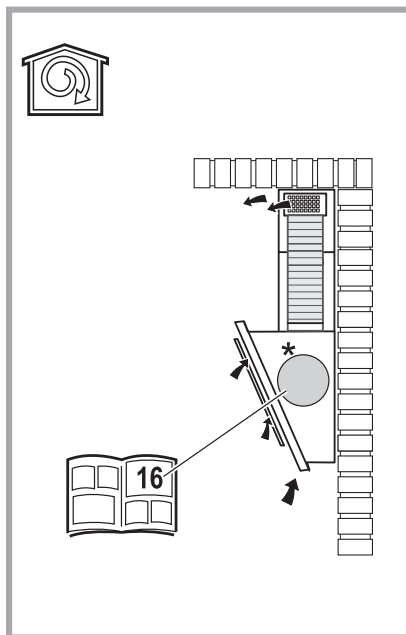


Izstrādājuma iepakojums ir izgatavots no atkārtoti pārstrādājamiem materiāliem saskaņā ar mūsu valsts likumdošanu. Neizmetiet iepakojuma materiālus kopā ar sadzīves vai citiem atkritumiem. Nogādājiet tos uz vietējo iestāžu noteiktajiem iepakojuma materiālu savākšanas punktiem.

## 2 Ierīces tehniskā specifikācija



Lietošana kopā ar  
dūmvadu



Lietošana kopā ar ogļu filtru

Uz izstrādājuma redzamiem marķējumiem vai citos dokumentos, kas nodoti kopā ar izstrādājumu, norādītās vērtības ir vērtības, kas iegūtas laboratorijas apstākļos atbilstoši saistošajiem standartiem. Faktiskās vērtības var atšķirties atkarībā no izstrādājuma darbības un vides apstākļiem.

## 3 Ierīces uzstādīšana

Par tvaika nosūcēja uzstādīšanu konsultējieties ar tuvākā pilnvarotā apkalpošanas dienesta speciālistiem.

\* Par vietas un elektroinstalācijas sagatavošanu izstrādājuma uzstādīšanai ir atbildīgs klients.



**BRĪDINĀJUMS!** Pēc uzstādīšanas noņemiet aizsargplēvi (ja tāda ir) no tvaika nosūcēja un gaisa izplūdes cauruļu virsmas.

Attālumam starp tvaika nosūcēja apakšējo virsmu un plīts augšējo virsmu jābūt vismaz 50 cm gāzes plītim un 45 cm elektriskajām plītim.

Lūdziet kvalificētam elektriķim pievienot ierīci elektrotīklam.

Uzstādiet izstrādājumu tā, lai pēc uzstādīšanas varētu viegli piekļūt savienojumam ar elektrotīklu (spraudkontakta, kontaktlīgzdai).

Izmēri ir norādīti milimetros.

### 3.1. Savienojums ar strāvas tīklu

- Elektrotīkla strāvas padevei ir jāatbilst vērtībām, kas norādītas uz plāksnes tvaika nosūcēja iekšpusē. Izmantojiet spraudni, lai pievienotu tvaika nosūcēju kontaktlīgzdai atbilstoši spēkā esošajiem noteikumiem, un novietojiet pieejamā vietā. Pēc uzstādīšanas – ja ierīcei nav spraudņa (tieša savienojuma ar elektrotīklu) vai spraudnis nav aizsniedzams, izmantojiet standartu prasībām atbilstošu divpolu pārslēdzi, kas sniedz iespēju atvienot strāvas spraudni ar III kategorijas strāvas pārslēdzi saistītos apstākļos.



**BRĪDINĀJUMS!** Pirms atkārtoti pievienojat tvaika nosūcēju elektrotīklam un pārbaudāt, vai tas funkcionē pareizi, pārlicinieties, vai strāvas vads ir pareizi pievienots.

- Tvaika nosūcējs ir aprīkots ar tīpašu strāvas kabeli. Ja strāvas kabelis ir bojāts, sazinieties ar pilnvarota apkalpošanas dienesta speciālistu.

### 3.2. Uzstādīšana

#### 3.2.1. Pirms uzstādīšanas sākšanas veiciet tālāk norādītās darbības.

- Pārbaudiet, vai iegādātā izstrādājuma izmērs atbilst uzstādīšanas vietai.
- Noņemiet aktīvās ogles (\*) filtru, ja tas ir iekļauts komplektācijā (skatiet arī atbilstošo rindkopu). Filtrs(-i) ir jāuzstāda tikai tad, ja paredzēts izmantot tvaika nosūcēju kā filtrētu modeli.
- Pārbaudiet, vai tvaika nosūcēja komplektācijā ir iekļauts jebkāds cits materiāls (piemēram, skrūvju iepakojums (\*) vai garantijas karte (\*)). Ja šādi materiāli ir pieejami, noņemiet tos un glabājiet citā vietā.
- Ja iespējams, noņemiet brīvi stāvošu vai slidošu plīti un pavelciet to malā, lai varētu ērti aizsniegt sienu/griestus. Ja tas nav iespējams, aplājiēt krēslu, plīti vai krāsni ar biezu aizsargdrānu, lai aizsargātu pret bojājumiem un netīrumiem. Izvēlieties plakanu virsmu ierīces uzstādīšanai. Pārklājiet virsmu ar aizsargdrānu un novietojiet uz tās visas tvaika nosūcēja daļas un aparatūru.
- Pārbaudiet arī to, vai tvaika nosūcēja montāžas zonā ir pieejams spraudnis (tas attiecas arī uz zonu, kas būs pieejama pēc tvaika nosūcēja montāžas) un vai ir iespējams pievienot tvaika nosūcēju ārējai videi (tas attiecas tikai uz modeli ar aspirācijas funkciju).
- Pabeidziet visas ar sienu saistītās nepieciešamās darbības (piemēram, iespraudiet sienas spraudni un/vai izveidojiet izvades šļūtenei nepieciešamu atveri).

### 3 Ierīces uzstādīšana

Ir pieejamas platas apaltapas tvaika nosūcēja piestiprināšanai pie dažādām sienām/griestiem. Kvalificētam tehnikam ir jāapstiprina materiāla atbilstība sienai/griestiem. Sienai/griestiem ir jāspēj izturēt tvaika nosūcēja svārs. Nemontējiet ierīci pie flīžu, ģipša vai silikona virsmām. Montējiet ierīci tikai pie sienas.

Ja telpā ir panelis un/vai sānu siena, un/vai mēbeles, pārbaudiet, vai pietiek vietas tvaika nosūcēja montāžai un vai vadības panelis būs ērti pieejams.

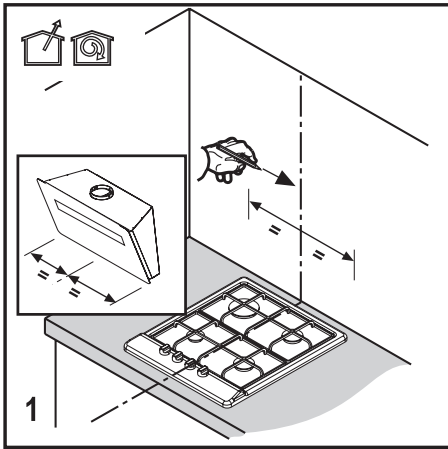


## 3 Ierīces uzstādīšana

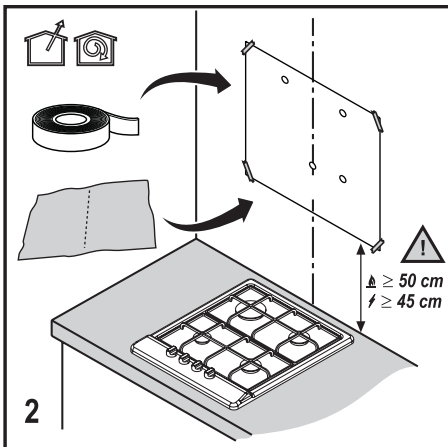
### 3.2.2. Sagatavošanās tvaika nosūcēja montāžai pie sienas

Tālāk ir sniegta nepieciešamā informācija par tvaika nosūcēja uzstādīšanas vietas sagatavošanu.

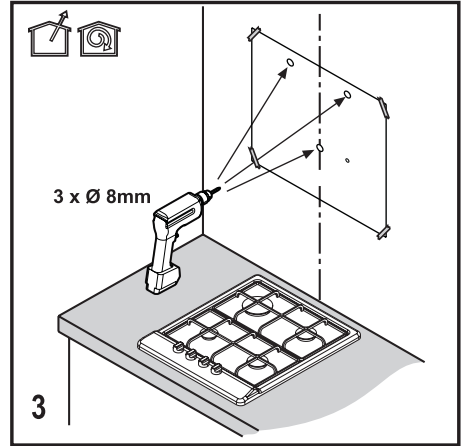
1. Veiciet atzīmes uz virsmas, pie kurās tiks piekārtā montāžas shēma. **(1. attēls)**



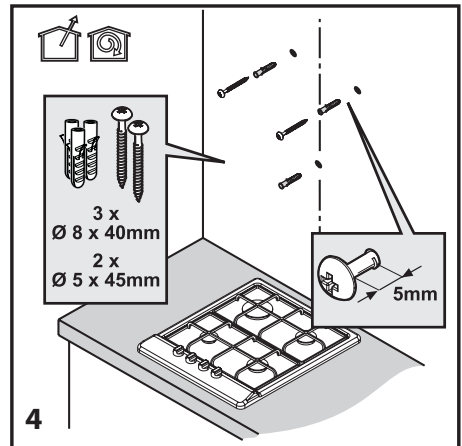
2. Piestipriniet montāžas shēmu tvaika nosūcēja uzstādīšanai paredzētajā vietā. **(2. attēls)**



3. Marķētajos punktos izurbiet caurumus, izmantojot urbja galu ar 8 mm diametru. **(3. attēls)**



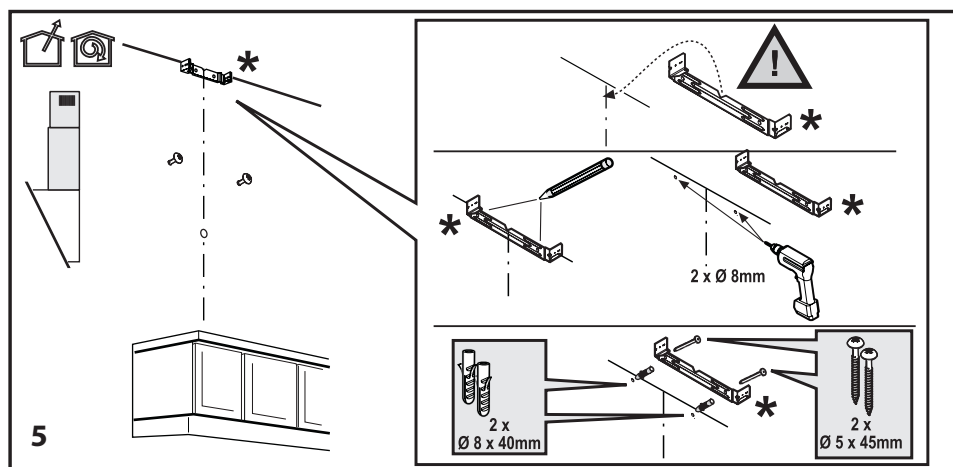
4. Izurbtajos caurumos ievietojiet 3 apaļtapas ar 8x40 mm diametru/garumu un iestipriniet ar āmura palīdzību. Ieskrūvējiet 2 piekares skrūves ar 5x45 mm diametru/garumu iepriekš iestiprinātajās apaļtapās. Starp skrūves galvu un sienu jābūt vismaz 5 mm attālumam. **(4. attēls)**



### 3 Ierīces uzstādīšana

#### --3.2.3. Tvaika nosūcēja gaisa izplūdes caurules montāža

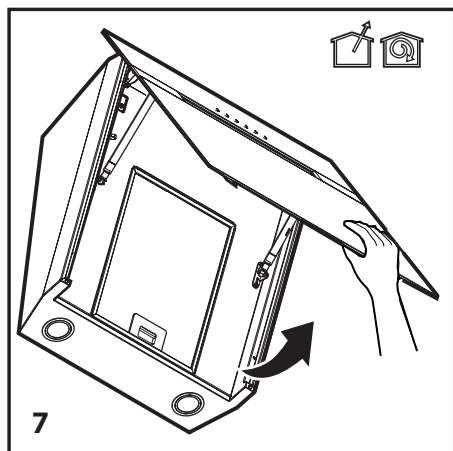
Marķētajos punktus izurbiet caurumus, izmantojot 8 mm diametra urbja galu, lai varētu piestiprināt dūmvada plāksni. Izurbtajos caurumos ievietojiet 2 apaļtapas ar 8x40 mm diametru/garumu un iestipriniet ar āmura palīdzību. Ieskrūvējiet 2 piekares skrūves ar 5x45 mm diametru/garumu iepriekš iestiprinātajās apaļtapās. **(5. attēls)**



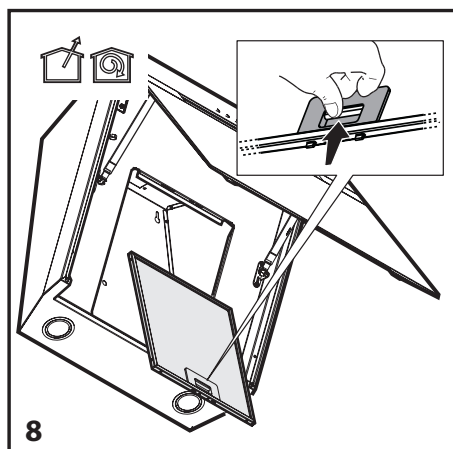
## 3 Ierīces uzstādīšana

### 3.2.4. Tvaika nosūcēja montāža pie sienas

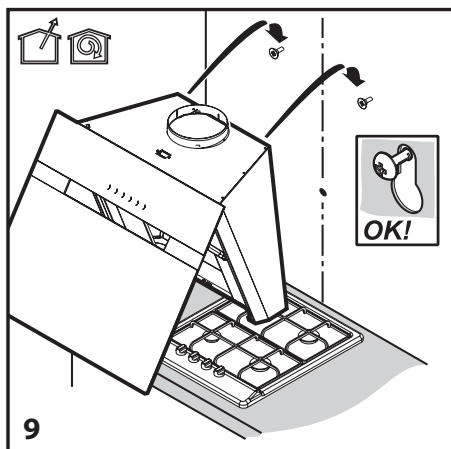
1. Noņemiet priekšējo paneli, lai varētu piestiprināt tvaika nosūcēju pie sienas. (7. attēls)



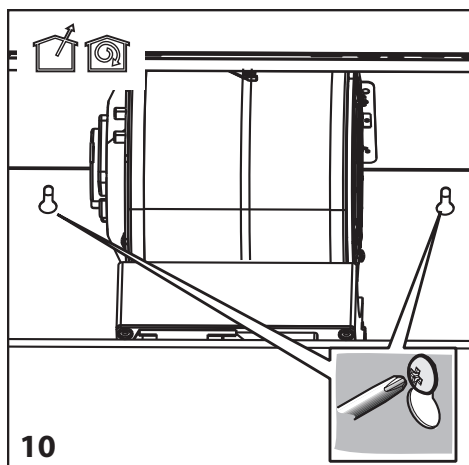
2. Noņemiet filtrus. (8. attēls)



3. Novietojiet tvaika nosūcēju tā, lai savietotu skrūves ar skrūvju galvām. (9. attēls)

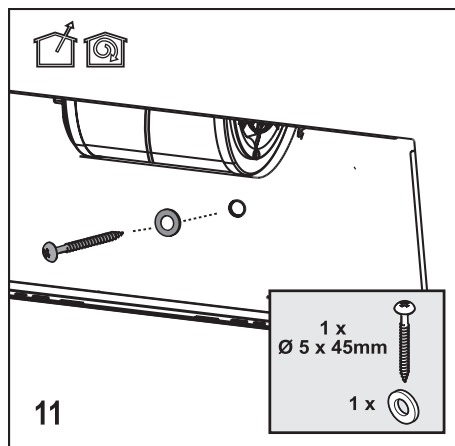


4. Pievelciet skrūves, lai nostiprinātu tvaika nosūcēju. (10. attēls)

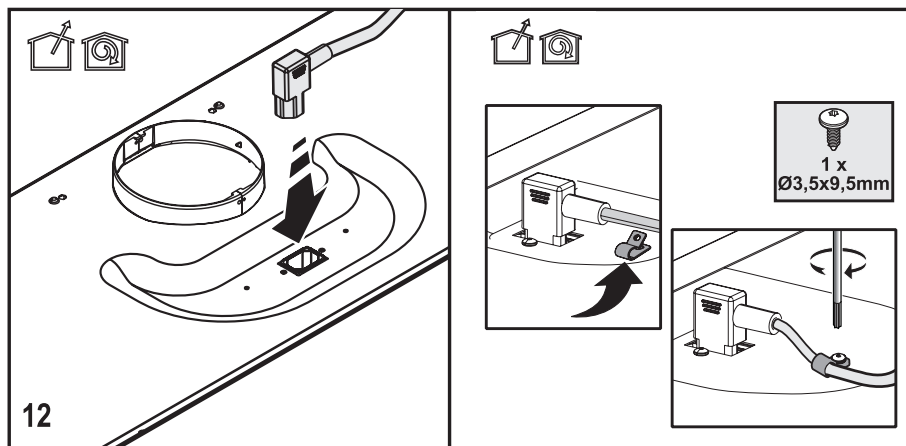


### 3 Ierīces uzstādīšana

5. Lai piestiprinātu tvaika nosūcēju, izmantojiet starplikas un pievelciet ar 5,45 diametra skrūvēm. **(11. attēls)**

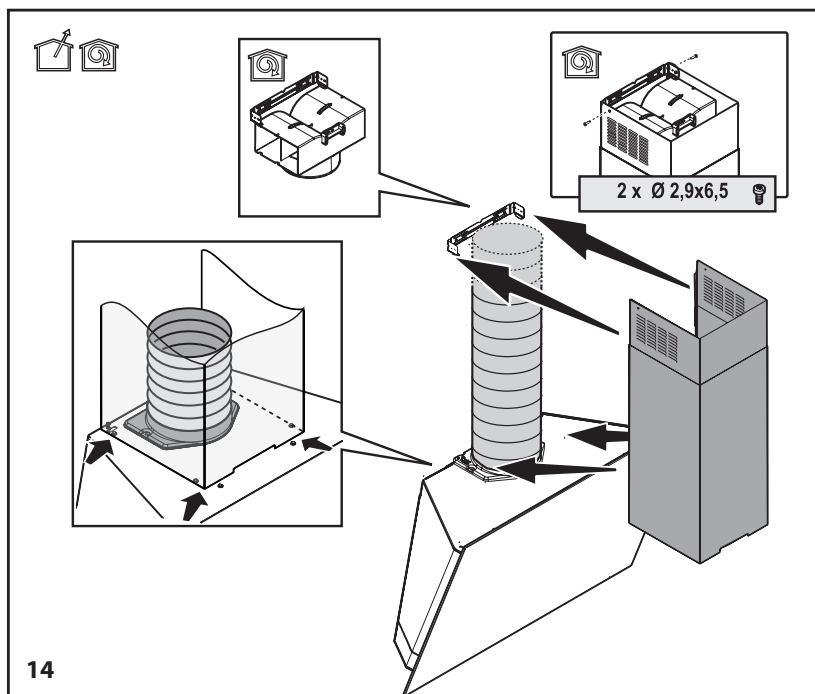
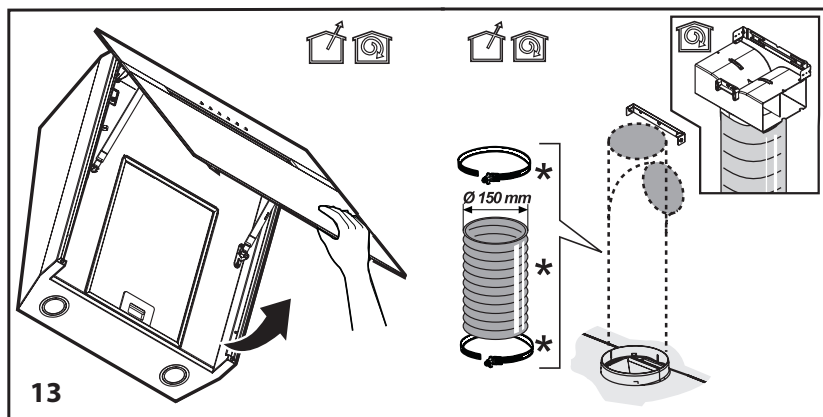


6. Pievienojiet strāvas kabeli. Izmantojiet 3,5x9,5 diametra skrūvi, lai piestiprinātu kabeli. **(12. attēls)**



### 3 Ierīces uzstādīšana

7. Izveidojiet savienojumu ar dūmvadu atbilstoši attēliem. (13., 14. attēls)

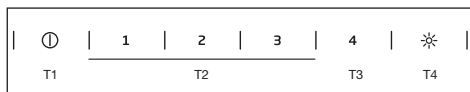


## 4 Ierīces lietošana

### 4.1. Eksploatācija

- Ja virtuvē rodas daudz tvaika, izmantojiet lielu sūkšanas jaudu. Ir ieteicams ieslēgt plīts tvaika nosūcēja sūkšanas ierīci 5 minūtes pirms gatavošanas sākšanas, kā arī darbināt ierīci gatavošanas laikā un vēl 15 minūtes pēc tam.

### 4.2. Līmeņu vadība



**T1.** Ieslēgšanas/izslēgšanas poga. Ja ierīce ir IZSLĒGTA, poga ieslēdz ierīci. Ja ierīce darbojas jebkādā ātruma līmenī, poga IZSLĒDZ ierīci.

**T2.** Darbina ierīci 1., 2. un 3. ātruma līmenī.

Darbina ierīci 1. ātruma līmenī. 1. LED indikators.

Darbina ierīci 2. ātruma līmenī. 2. LED indikators.

Darbina ierīci 3. ātruma līmenī. 3. LED indikators.

**T3.** Darbina ierīci 4. ātruma līmenī 5 minūtes. Ja ierīce darbojas jebkurā ātruma līmenī (1., 2. vai 3.) un nospiedīsīt šo pogu, pašreizējam ātruma līmenim atbilstošais LED indikators sāks vienmērīgi degt un 4. līmeņa LED indikators mirgos. Pēc 5 minūtēm 4. ātruma līmeņa LED indikators IZSLĒGSIES un izstrādājums izies no maksimālā ātruma režīma. Ja nospiedīsīt 4. ātruma līmeņa pogu pirms 5 minūšu perioda beigām, izstrādājums izies no maksimālā ātruma režīma.

**T4.** Lampiņas ieslēgšanas/izslēgšanas poga. Īsi nospiediet šo pogu, lai IZSLĒGTU/IZSLĒGTU lampiņu. Nospiediet un turiet nospiektu ilgāk nekā 1 sekundi, lai atlasītu kādu no 5 spilgtuma līmeņiem.

### 4.3. Tvaiku uztveršanas filtra brīdinājums

1. LED indikators mirgo, lai brīdinātu lietotāju par nepieciešamību iztīrīt metāla filtru. Ja saņemat šo brīdinājumu, ir laiks iztīrīt tvaiku uztveršanas filtru. Nospiežiet un turiet nospiektu IESLĒGŠANAS/IZSLĒGŠANAS pogu 3 sekundes, lai atiestatītu brīdinājumu, kad izstrādājums darbojas. 1. LED indikators pārstās mirgot.

### 4.4. Ogļu filtra brīdinājums

Izstrādājums tiek piegādāts ar deaktivizētu ogļu filtra brīdinājumu. Nospiediet un turiet nospiektu 1. un 2. pogu 3 sekundes, lai aktivizētu ogles filtra tīrīšanas brīdinājumu, kad izstrādājums ir IZSLĒGTS. Iedeģsies vispirms 1. un pēc tam – 1. un 2. LED indikators, norādot, ka brīdinājums ir aktivizēts. Nospiediet un turiet nospiektu 1. un 2. pogu 3 sekundes, lai deaktivizētu brīdinājumu, kad izstrādājums ir IZSLĒGTS. Iedeģsies vispirms 1. un 2. un pēc tam – 1. LED indikators, norādot, ka brīdinājums ir deaktivizēts.

2. LED indikators mirgo, lai brīdinātu lietotāju par nepieciešamību iztīrīt ogļu filtru. Nospiediet un turiet nospiektu IESLĒGŠANAS/IZSLĒGŠANAS pogu 3 sekundes, lai atiestatītu brīdinājumu, kad izstrādājums darbojas.



Ja metāla un ogļu filtra brīdinājumi tiek aktivizēti vienlaikus, katrs brīdinājums ir jāatiestata atsevišķi.

### 4.5. Energoefektīva lietošana

- Lietojot tvaika nosūcēju, noregulējiet ātruma līmeni atbilstoši aromāta un tvaika intensitātei, lai lieki netērētu elektroenerģiju.
- Parastos apstākļos izmantojiet lēnākos ātruma iestatījumus (1-2), bet ātrākos iestatījumus (3-4) lietojiet tad, ja intensīvi veidojas aromāts un tvaiks.
- Tvaika nosūcēja lampiņas ir paredzētas gatavošanas zonas apgaismošanai. Ja tās tiek izmantotas, lai apgaismotu apkārtējo telpu/virtuvi, tiek nevajadzīgi patērēta elektroenerģija un iegūts nepietiekams apgaismojums.

## 5 Tīrīšana un apkope

### 5.1. Tīrīšana

- Pirms tīrīšanas un apkopes atvienojiet ierīci no strāvas avota, izslēdziet strāvas slēdzi vai arī palaidiet valfīgāk/atslēdziet drošinātāju, kas nodrošina strāvas padevi tvaika nosūcējam.
- Tvaika nosūcējs ir jātīra regulāri (vismaz tikpat bieži, cik veicat tauku uztveršanas filtru apkopi) iekšēji un ārēji.
- Notīriet tvaika nosūcēju ar tīru drāniņu, kas samitrināta silta ūdens un neitrāla šķidrā mazgāšanas līdzekļa maisījumā.
- Neizmantojiet abrazīvus izstrādājumus. **NEIZMANTOJIET SPIRTU!**



**BRĪDINĀJUMS!** Neievērojot pamata tīrīšanas ieteikumus par tvaika nosūcēju un filtru nomaiņu, var rasties ugunsbīstamība.

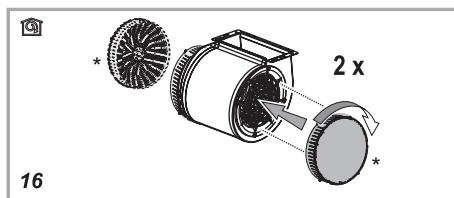
- Tādēļ ir ieteicams ievērot šos norādījumus.
- Ražotājs neatbild par motora bojājumiem un uguns radītiem bojājumiem, ja to cēlonis ir neatbilstoša tehniskā apkope un iepriekš minēto drošības ieteikumu neievērošana.

### 5.2. Stikla paneļa tīrīšana

- Stikla panelis un sūkšanas virsmas ir jātīra ar tādu pašu intervālu, kas attiecas uz tauku uztveršanas filtriem.
- Notīriet ar drāniņu, kas samitrināta ūdens un neitrāla šķidrā mazgāšanas līdzekļa maisījumā.
- Neizmantojiet abrazīvus izstrādājumus. **NETĪRIET AR SPIRTU!**

### 5.3. Ogļu filtrs (tikai modeļiem ar filtru)

- Pēc ilgstošas lietošanas ogļu filtrs var kļūt pilns atkarībā no gatavošanas veida un tā, vai eļļas filtrs tiek regulāri tīrīts.
- Jebkurā gadījumā kasetne ir jānomaina ne retāk kā reizi četros mēnešos (vai gadījumā, ja filtra pilnuma indikators norāda, ka filtrs ir jāmaina (ja tas ir iekļauts modelī)). **(16. attēls)**
- Ogļu filtru nevar mazgāt un izmantot atkārtoti.



### Apaiš ogļu filtrs

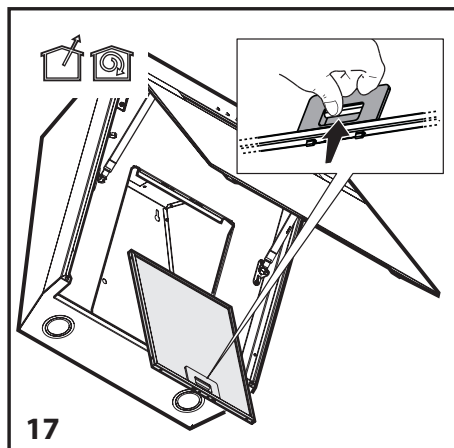
- Ievietojiet vienu filtru blakus motora propellera aizsargrestēm un pēc tam pagrieziet daļu pulksteņrādītāju kustības virzienā.
- Lai demontētu, pagrieziet daļu pretēji pulksteņrādītāju kustības virzienam.

### 5.4. Tauku uztveršanas filtrs

- Aiztur tauku daļiņas, kas rodas gatavošanas procesā.
- Tauku uztveršanas filtrs ir jātīra katru mēnesi (vai tad, kad filtra pilnuma indikatora sistēma norāda, ka ir laiks tīrīt filtru (ja modelis ir aprīkots ar šādu sistēmu)), izmantojot mazgāšanas līdzekli bez skābes. Filtru var mazgāt arī trauku mazgājamā mašīnā, izmantojot zemas temperatūras un īsas darbības programmu.
- Ja filtru mazgājat trauku mazgājamā mašīnā, tauku uztveršanas filtrs var nedaudz izbalēt, tomēr tas neietekmē filtrēšanas kapacitāti.
- Pavelciet ar atsperi darbināmo sviru, lai noņemtū tauku uztveršanas filtru. **(17. attēls)**



## 5 Tīrīšana un apkope



### 5.5. Tīrīšana

- Īpašu uzmanību tvaika nosūcēja tīrīšanai pievērsiet uzreiz pēc cepšanas.
- Tvaika nosūcēja ārējās virsmas tīrīšanai izmantojiet mīkstu drānu, kas samitrināta ar šķidro mazgāšanas līdzekli.
- Tīrīšanai neizmantojiet abrazīvus vai skrāpējošus materiālus.
- Var izmantot tirgū pieejamos tīrīšanas līdzekļus, kas paredzēti noturīgu tauku tīrīšanai; ievērojiet brīdinājumus, kas sniegti uz izstrādājuma. Lai nesaskrāpētu matēto tērauda virsmu, veiciet slaucīšanas kustības matējuma virzienā.
- Lai nesabojātu izstrādājuma virsmu, neizmantojiet tīrīšanas līdzekļus, kas satur sāļsskābi, balinātāju vai abrazīvus pulverus. Nerūsošā tērauda virsmu tīrīšanai izmantojiet drānu, kas samitrināta ziepjūdenī, vai īpašus aerosolus, kas paredzēti nerūsošā tērauda tīrīšanai. Noņemiet ierīces aizsargplēvi.



**Uzmanību!** Ja netiek ievēroti norādījumi par tvaika nosūcēja tīrīšanu un filtru maiņu, pastāv risks izraisīt ugunsgrēku.

### Rīcība, ja ierīci nepieciešams transportēt



Saglabājiet ierīces oriģinālo iepakojumu. Transportējiet ierīci tās oriģinālajā iepakojumā un ievērojiet uz šī iepakojuma norādīto informāciju par transportēšanu.

### Rīcība, ja nav oriģinālā iepakojuma

- Nelieciet uz tvaika nosūcēja smagus priekšmetus.
- Pasargājiet ārējo virsmu no triecieniem.
- Iesaņojiet izstrādājumu tā, lai tas transportēšanas laikā netiktu bojāts.

### 5.6. Lampiņu nomaiņa



**BRĪDINĀJUMS!** Pirms pieskaraties spuldzēm, pārlicinieties, vai tās ir atdzisušas.



Ja jāveic lampiņas nomaiņa, sazinieties ar pilnvarota apkalpošanas dienesta speciālistu.





