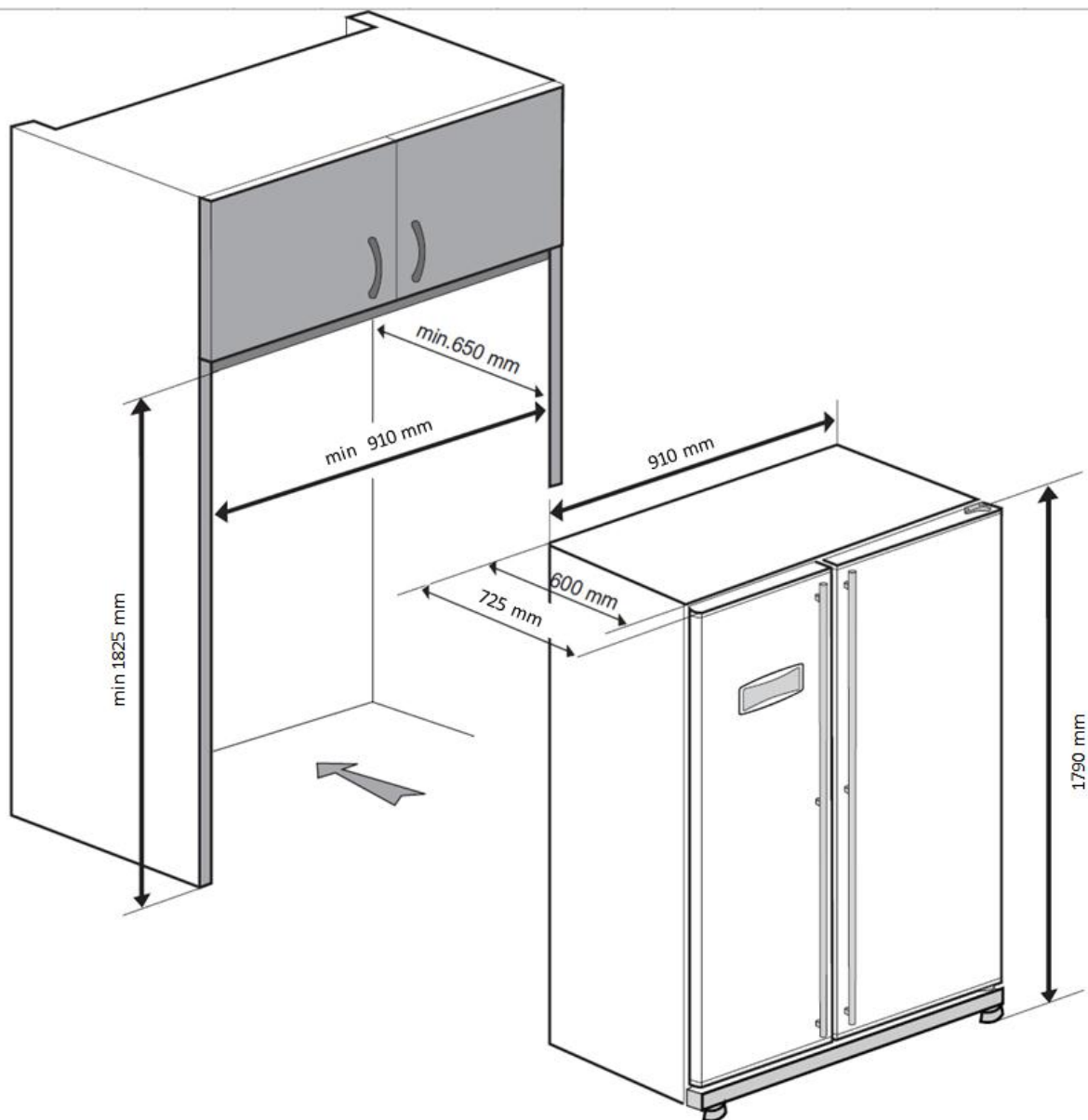


Built-in Product Dimensions - SBS

SIDE BY SIDE REFRIGERATOR INSTALLATION INSTRUCTIONS

If you want to install your product inside the kitchen furniture, adjust the furniture dimensions in accordance with the following measures.

- Provide an opening of min. 50 mm between the wall and the product so that the cooling performance of the product will not decrease.
- As the water inlet is at the rear side of the refrigerator for products equipped with water dispenser, make sure that the hose is not kinked or squeezed.
- Plug your refrigerator always into a grounded socket. Pay attention not to damage the power cable during transportation.
- Do not place devices such as radiators, heaters and etc. close to the refrigerator.



Overall space required in use – SBS

