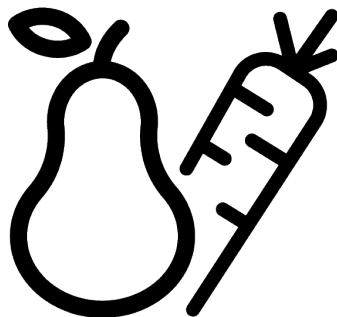


# beko

**Refrigerator** / User Manual  
**Frigorifer** / Manuali i Përdoruesit  
**Frižider** / Korisnički priručnik  
**Hladnjak** / Perilica posuđa



GN163141XBN

11 5075 0100/ EN/ SQ/ BS/ HR/ AC\_1/2/ 13/10/23 16:58  
7285547295



# Please read this manual first!

**Dear Customer**

**Please read this manual before using the product.**

Thank you for choosing this Beko product. We would like you to achieve the optimal efficiency from this high quality product which has been manufactured with state of the art technology. To do this, carefully read this manual and any other documentation provided before using the product and keep it as a reference.

Heed all information and warnings in the user manual. This way, you will protect yourself and your product against the dangers that may occur.

Keep the user manual. Include this manual with the unit if you hand it over to someone else.

**The following symbols are used in the user manual:**



Hazard that may result in death or injury.



Important information or useful tips on operation.



Read the user manual.



Combustible material, warning against fire hazard.

NOTICE A hazard that may cause material damage to the product or its surroundings

  <b>SUPPLIER'S NAME</b>  <b>MODEL IDENTIFIER</b> → (*) 	<p>The model information as stored in the product data base can be reached by entering following website and searching for your model identifier (*) found on energy label.</p> <p><a href="https://eprel.ec.europa.eu/">https://eprel.ec.europa.eu/</a></p>
---	--

## Table of Content

<b>1</b>	<b>Safety Instructions.....</b>	<b>4</b>
1.1	Intention of Use .....	4
1.2	Safety of Children, Vulnerable Persons and Pets .....	4
1.3	Electrical Safety.....	5
1.4	Handling Safety .....	6
1.5	Installation Safety.....	6
1.6	Operational Safety.....	8
1.7	Food Storage Safety.....	10
1.8	Maintenance and Cleaning Safety	11
1.9	Disposal of the Old Product.....	12
<b>2</b>	<b>Environmental Instructions.....</b>	<b>12</b>
2.1	Compliance with the WEEE Dir- ective and Disposing of the Waste Product .....	12
<b>3</b>	<b>Your Refrigerator .....</b>	<b>13</b>
<b>4</b>	<b>Installation .....</b>	<b>14</b>
4.1	Electrical Connection .....	15
<b>5</b>	<b>Preparation.....</b>	<b>16</b>
5.1	What To Do For Energy Saving .....	16
5.2	First Use.....	16
5.3	Climate Class and Definitions .....	17
<b>6</b>	<b>Operating the Product.....</b>	<b>17</b>
<b>7</b>	<b>Control Panel of the Product.....</b>	<b>18</b>
<b>8</b>	<b>Using The Product.....</b>	<b>19</b>
8.1	Replacing the Illumination Lamp..	22
8.2	Door Open Alert .....	22
<b>9</b>	<b>Product Features .....</b>	<b>22</b>
9.1	The ice storage area.....	22
9.2	Egg holder .....	22
9.3	Crisper.....	23
9.4	Crisper Technologies .....	23
9.5	Dairy Products Cold Storage Area	23
9.6	Humidity Controlled Crisper .....	23
<b>10</b>	<b>Maintenance and Cleaning .....</b>	<b>23</b>
<b>11</b>	<b>Troubleshooting .....</b>	<b>24</b>

## 1 Safety Instructions

- This section includes the safety instructions necessary to prevent the risk of personal injury or material damage.
- Our company shall not be held responsible for damages that may occur if these instructions are not observed.



Always have installation and repair operations performed by manufacturer, authorized service or a person who will be described by importer company.



Use original spare parts and accessories only.



Do not repair or replace any component of the product unless it is clearly specified in the user manual.



Do not perform any modifications on the product.

### 1.1 Intention of Use

- This product is not suitable for commercial use and should not be used for a purpose other than its intended use.
- This product is intended for operating interiors, such as households or similar.

For example;

In the staff kitchens of the stores, offices and other working environments,

In farm houses,  
In the units of hotels, motels or other resting facilities that are used by the customers,  
In hostels, or similar environments,  
In catering services and similar non-retail applications.

- This product shall not be used in open or enclosed external environments such as vessels, camper vans, balconies or terraces. Exposing the product to rain, snow, sunlight and wind may cause risk of fire.



### 1.2 Safety of Children, Vulnerable Persons and Pets

- This product may be used by children aged 8 years and older and persons with underdeveloped physical, sensory or mental capabilities or lack of experience and knowledge if they are being supervised or have been given instruction concerning use of the appliance in a safe way and the hazards involved.
- Children between 3 and 8 years are allowed to put and take out food into/from the cooler product.

- Electrical products are dangerous for children and pets. Children and pets must not play with, climb on, or enter the product.
- Cleaning and user maintenance should not be performed by children unless there is someone overseeing them.
- Keep the packaging materials away from children. Risk of injury and suffocation.

Before disposing of old products that shall not be used any more:

1. Unplug the power cord from the mains socket.
  2. Cut the power cable and remove it from the appliance together with the plug.
  3. Do not remove the racks and drawers from the product to prevent children from getting inside the appliance.
  4. Remove the doors.
  5. Store the product so that it shall not be tipped over.
  6. Do not allow children to play with the scrapped product.
- Do not dispose of the product by throwing it into fire. Risk of explosion.
  - If there is a lock available on the product's door, keep the key out of children's reach.



### 1.3 Electrical Safety

- The product shall not be plugged into the outlet during installation, maintenance, cleaning, repair, and transportation operations.
- If the power cable is damaged, it shall only be replaced by authorized service to avoid any risks that may occur.
- Do not tuck the power cable under the product or to the rear of the product. Do not put heavy items on the power cable. The power cable should not be bent, crushed, and come into contact with any heat source.
- Do not use an extension cord, multi-plug or adaptor to operate your product.
- Portable multi-plugs or portable power supplies may overheat and cause fire. Thus, do not have a multi-plug, portable power sources behind or in the vicinity of the product.
- Do not plug the product's power cord in a loose or damaged power outlet. These types of connections may overheat and cause fire.
- The plug shall be easily accessible. If this is not possible, a mechanism that meets the electrical legislation and that

disconnects all terminals from the mains (fuse, switch, main switch, etc.) shall be available on the electrical installation.

- Do not touch the plug with wet hands.
- When unplugging the appliance, don't hold the power cord, but the plug.

### 1.4 Handling Safety

- Make sure to unplug the appliance before carrying the product.
- This product is heavy, do not handle it by yourself. Injuries may occur if the product falls on you. Do not bump into places or drop the product while transporting it.
- Always close the doors and do not hold the product by its doors while transporting it.
- Be careful not to damage the cooling system and the pipes while handling the product. Do not operate the product if the pipes are damaged, and contact an authorized service.

### 1.5 Installation Safety

- Contact the Authorized Service for the product's installation. To prepare the product for use, see the information in the user manual and make sure the electric and water utilities are

as required. If not, call a qualified electrician and plumber to arrange the utilities as necessary. Failure to do so may result in electric shock, fire, problems with the product, or injury.

- This product is designed for use at a maximum altitude of 2000 metres above sea level.
- Check for any damage on the product before installing it. Do not have the product installed if it is damaged.
- Always use personal protective equipment (gloves, etc.) during product installation, maintenance and repair. Risk of Injury!
- Place the product on a clean, level and hard surface and balance it with the adjustable legs (by rotating the front feet to the right or left). Otherwise, the refrigerator may tip over and cause injuries.
- The product shall be installed in a dry and ventilated environment. Do not keep carpets, rugs or similar covers under the product. This may cause risk of fire as a result of inadequate ventilation!
- Do not block or cover ventilation holes. Otherwise, power consumption increases and your product may be damaged.

- When placing the product, make sure that the supply cable is not damaged or pinched.
- The product must not be connected to supply systems such as solar power supply. Otherwise, your product may be damaged due to sudden voltage changes!
- The more refrigerant a refrigerator contains, the bigger its installation room should be. In very small rooms, a flammable gas-air mixture may occur in case of a gas leak in the cooling system. At least 1 m<sup>3</sup> of volume is required for each 8 grams of refrigerant. The amount of the refrigerant available in your product is specified in the Type Label.
- The installation place of the product shall not be exposed to direct sunlight and it shall not be in the vicinity of a heat source such as stoves, radiators, etc. If you cannot prevent installation of the product in the vicinity of a heat source, use a suitable insulation plate and make sure the minimum distance to the heat source is as specified below:
  - At least 30 cm away from heat sources such as stoves, ovens, heating units and heaters, etc.,
  - And at least 5 cm away from electrical ovens.
- Your product has the protection class of I.
- Plug the product in a grounded socket that conforms with the Voltage, Current and Frequency values specified in the type label. The socket must have a 10A – 16A fuse. Our firm will not assume responsibility for any damages due to usage without earthing and without power connection in compliance with local and national regulations.
- The product's power cable must be unplugged during installation. Otherwise, risk of electric shock and injury may occur!
- Do not plug the product's power cord in loose, dislocated, broken, dirty, oily power outlets which have a risk of water contact. These types of connections may cause overheating and fire.
- Place the power cable and hoses (if any) of the product so that they shall not cause a risk of tripping over.

- Penetration of humidity and liquid to live parts or to the power cord may cause short circuit. Thus, do not use the product in humid environments or in areas where water may splash (e.g. garage, laundry room, etc.) If the refrigerator is wet by water, unplug it and contact an authorized service.
- Do not ever connect your refrigerator to power saving devices. These systems are harmful for the product.
- There is a risk of contact with electrical parts when removing the electronic board cover and the compressor rear cover (if fitted). Do not remove the electronic board cover and the compressor rear cover (if fitted). There is a risk of electrocution!
- Do not place a source of flame (e.g. candles, cigarettes, etc.) on the product or in the vicinity of it.
- Do not get on the product. Risk of falling and injury!
- Do not cause damage to the pipes of the cooling system using sharp and piercing tools. The refrigerant that sprays out in case of puncturing the gas pipes, pipe extensions or upper surface coatings may cause irritation of skin and injury to the eyes.
- Do not place and operate electrical appliances inside the refrigerator/freezer unless it is advised by the manufacturer.
- Do not jam any parts of your hands or your body to the moving parts inside the product. Be careful to prevent jamming of your fingers between the refrigerator and its door. Be careful while opening or closing the door if there are children around.
- Do not put ice cream, ice cubes or frozen food to your mouth as soon as you take them out of the freezer. Risk of frostbite!

## 1.6 Operational Safety

- Do not ever use chemical solvents on the product. These materials contain an explosion risk.
- In case of a failure of the product, unplug it and do not operate until it is repaired by the authorized service. There is a risk of electric shock!



- Do not touch the inner walls, metal parts of the freezer or food kept inside the freezer with wet hands. Risk of frost-bite!
- Do not place soda cans or cans and bottles that contain fluids that may be frozen to the freezer compartment. Cans or bottles may explode. Risk of injury and material damage!
- Do not use or place materials sensitive against temperature such as flammable sprays, flammable objects, dry ice or other chemical agents in the vicinity of the refrigerator. Risk of fire and explosion!
- Do not store explosive materials such as aerosol cans with flammable materials inside the product.
- Do not place cans containing fluids over the product an open state. Splashing of water on an electrical part may cause an electric shock or a fire.
- This product is not intended for storage and cooling of medicines, blood plasma, laboratory preparations or similar materials and products that are subject to the Medical Products Directive.
- If the product is used against its intended purpose, it may cause damage to or deterioration of the products kept inside.
- If your refrigerator is equipped with blue light, do not look at this light with optical devices. Do not stare directly at UV LED light for a long time. Ultraviolet rays may cause eye strain.
- Do not fill the product with more contents than its capacity. Injuries or damages may occur if the contents of the refrigerator fall when the door is opened. Similar problems may also occur when an object is placed over the product.
- Ensure that you have removed any ice or water that may have fallen to the floor to prevent injuries.
- Change the locations of the racks/bottle racks on the door of your refrigerator only when the racks are empty. Danger of injury!
- Do not place objects that may fall/tip over on the product. These objects may fall while opening or closing the door and cause injuries and/or material damages.

- Do not hit or exert excessive pressure on glass surfaces. Broken glass may cause injuries and/or material damages.
- The cooling system in your product contains R600a refrigerant. The refrigerant type used in the product is specified in the type label. This gas is flammable. Therefore, be careful not to damage the cooling system and the pipes while operating the product. In case of damage to the pipes;
  1. Do not touch the product or the power cable.
  2. Keep the product away from potential sources of fire that may cause the product to catch fire.
  3. Ventilate the area where the product is placed. Do not use a fan.
  4. Contact Authorized Service.If the product is damaged and you observe gas leak, please stay away from the gas. Gas may cause frostbite if it contacts your skin.

Before disposing of old products that shall not be used any more:

  1. Unplug the power cord from the mains socket.
  2. Cut the power cable and remove it from the appliance together with the plug.
- 3. Do not remove the racks and drawers from the product to prevent children from getting inside the appliance.
- 4. Remove the doors.
- 5. Store the product so that it shall not be tipped over.
- 6. Do not allow children to play with the scrapped product.
- Do not dispose of the product by throwing it into fire. Risk of explosion.
- If there is a lock available on the product's door, keep the key out of children's reach.



### 1.7 Food Storage Safety

Please pay attention to the following warnings to avoid food spoilage:

- Leaving the doors open for a long time may cause the temperature inside the product to rise.
- Regularly clean the accessible drainage systems in contact with food.
- Clean the water tanks that have not been used for 48 hours and mains-fed water systems that have not been used for more than 5 days.
- Store raw meat and fish products in appropriate compartments within the product.

Thus, it does not drip on or come into contact with other foods.

- Two-star freezer compartments are used for storing pre-filled foods, making and storing ice and ice cream.
- One, two and three-star compartments are not appropriate for freezing fresh food.
- If the cooling product has been left empty for a long time, turn off the product, defrost, clean, and dry the product in order to protect the housing of the product.

## 1.8 Maintenance and Cleaning Safety

- Unplug the refrigerator before cleaning it or starting to perform maintenance.
- Do not pull by the door handle if you shall move the product for cleaning purposes. Handle may cause injuries if it is pulled too hard.
- Do not put your hands etc. under the refrigerator. Jamming may occur or any sharp edge may cause personal injuries.
- Do not clean the product by spraying or pouring water on the product and inside the product. Risk of electric shock and fire.
- When cleaning the product, do not use sharp and abrasive tools or household cleaning agents, detergent, gas, gasoline, thinner, alcohol, varnish, and similar substances. Use only cleaning and maintenance agents that are not harmful for food inside the product.
- Do not ever use steam or steamed cleaning materials for cleaning the product and thawing the ice inside it. Steam contacts the live areas in your refrigerator and causes short circuit or electric shock.
- Do not use any mechanical tools or any other tools than the recommendations of the manufacturer to speed up the defrost operation.
- Take care to keep water away from the ventilation holes, electronic circuits or lighting of the product.
- Use a clean, dry cloth to wipe the dust or foreign material on the tips of the plugs. Do not use a wet or damp piece of cloth to clean the plug. Otherwise, risk of fire or electric shock may occur.



### 1.9 Disposal of the Old Product

When disposing of your old product follow the instructions below:

- To prevent children from accidentally locking themselves into the product, if there is door lock, make it deactivated.
- Splash of coolant is harmful to the eyes. Do not damage any part of the cooling system while disposing of the product.

- It may be fatal if the compressor oil is swallowed or if it penetrates the respiratory tract.
- Cooling system of your product includes R600a gas as specified in the type label. This gas is flammable. Do not dispose of the product by throwing it into fire. Risk of explosion!

## 2 Environmental Instructions

### 2.1 Compliance with the WEEE Directive and Disposing of the Waste Product




This product complies with EU WEEE Directive (2012/19/EU). This product bears a classification symbol for waste electrical and electronic equipment (WEEE).

This symbol indicates that this product shall not be disposed with other household wastes at the end of its service life. Used device must be returned to official collection point for recycling of electrical and electronic devices. To find these collection systems please contact to your local authorities or retailer where the product was purchased. Each household performs important role in recovering and recycling of old appliance. Appropriate disposal of used

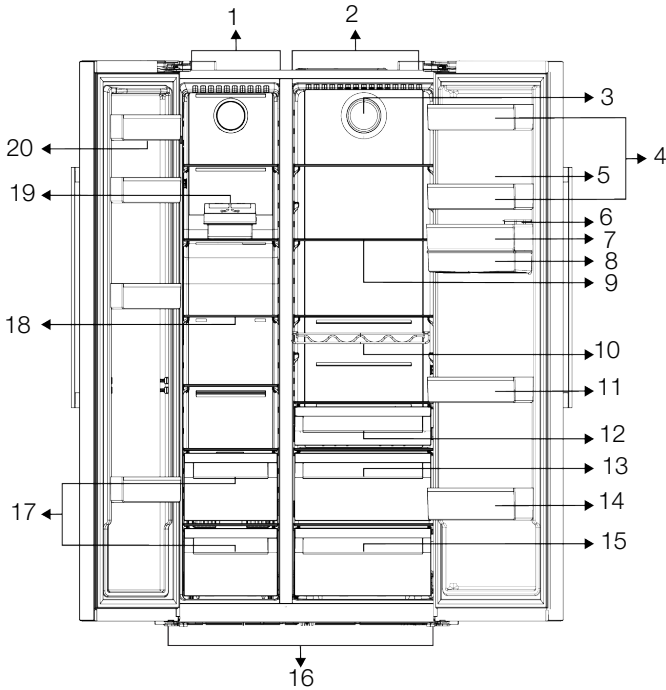
appliance helps prevent potential negative consequences for the environment and human health.

### Compliance with RoHS Directive

The product you have purchased complies with EU RoHS Directive (2011/65/EU). It does not contain harmful and prohibited materials specified in the Directive.



**Package information**  
Packaging materials of the product are manufactured from recyclable materials in accordance with our National Environment Regulations. Do not dispose of the packaging materials together with the domestic or other wastes. Take them to the packaging material collection points designated by the local authorities.



- |                                     |                                       |
|-------------------------------------|---------------------------------------|
| 1 Freezer Compartment               | 2 Cooler compartment                  |
| 3 Fan                               | 4 *Cooler compartment door shelves    |
| 5 Egg holder                        | 6 Water dispenser filling tank        |
| 7 *Cooler compartment door shelves  | 8 Water dispenser reservoir           |
| 9 *Cooler compartment glass shelves | 10 *Bottle shelf                      |
| 11 *Cooler compartment door shelves | 12 *Dairy (cold storage) bin          |
| 13 *Crispers                        | 14 *Bottle shelf                      |
| 15 *Crispers                        | 16 Adjustable legs                    |
| 17 Frozen food storing compartments | 18 *Freezer compartment glass shelves |
| 19 Icematic                         | 20 Freezer compartment door shelves   |

**\*Optional:** Figures in this user manual are schematic and may not exactly match your product. If your product does not comprise the relevant parts, the information pertains to other models.

## 4 Installation

### Right place for installation



Read the "Safety Instructions" section first!

Your product requires adequate air circulation to function efficiently. If the product will be placed in an alcove, remember to leave at least 5 cm clearance between the product and the ceiling, rear wall and the side walls. Check if the rear wall clearance protection component is present at its location (if provided with the product). If the component is not available, or if it is lost or fallen, position the product so that at least 5 cm clearance shall be left between the rear surface of the product and the wall of the room. The clearance at the rear is important for efficient operation of the product.



Do not use extension or multi sockets in the power connection.



The manufacturer assumes no responsibility for any damage caused by the work carried out by unauthorized persons.



The product's power cable must be unplugged during installation. Failure to do so may result in death or serious injuries!



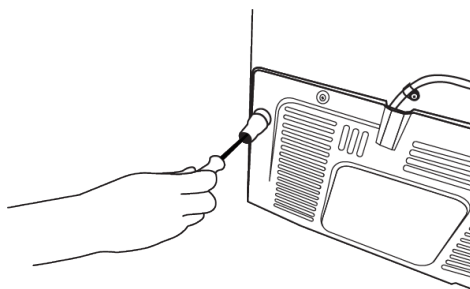
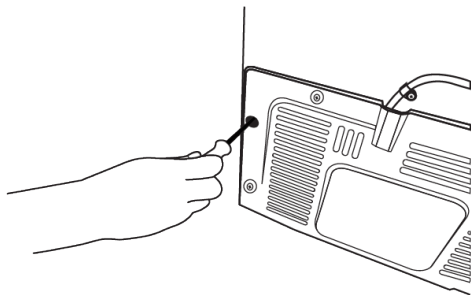
If the door span is too narrow for the product to pass, remove the door and turn the product sideways; if this does not work, contact the authorized service.

- Place the product on a flat surface to avoid vibration
- Place the product at least 30 cm away from the heater, stove and similar sources of heat and at least 5 cm away from electric ovens.
- Do not expose the product to direct sunlight or keep in damp environments.

### Attaching the plastic wedges

Use the plastic wedges provided with the product to maintain sufficient space for air circulation between the product and the wall.

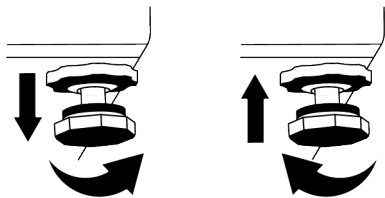
- Remove the screws on the product and mount the screws provided with the wedges.



### Adjusting the Legs

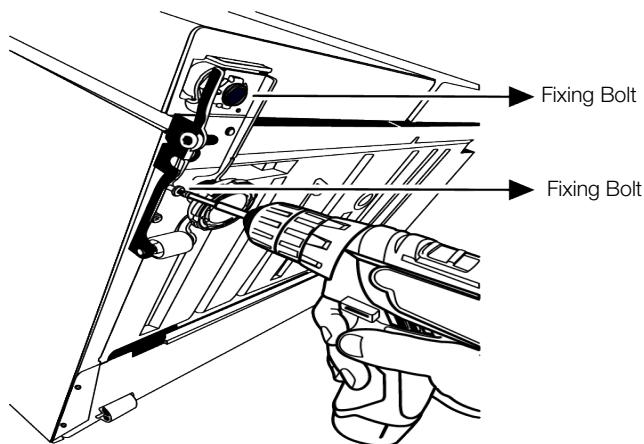
If the product is not in a balanced position, you can adjust the balance of the product by rotating the stands on the front right or left.

- Attach 2 plastic wedges on the ventilation cover as shown in the figure.



### For adjusting the doors vertically,

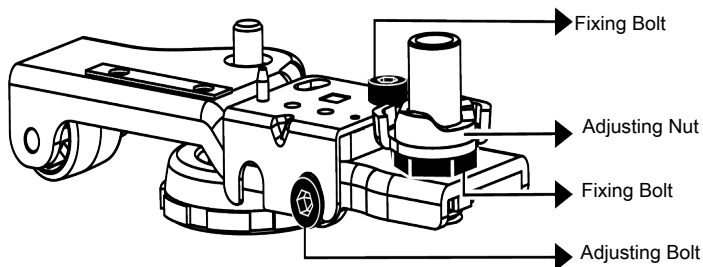
Loosen the fixing bolt at the bottom. Turn the adjusting bolt towards the position (clockwise/counter clockwise) of the door. Tighten the fixing bolt to immobilize the position.



### For adjusting the doors horizontally,

Loosen the fixing bolt at the bottom. Loosen the fixing bolt at the top. Turn the adjusting bolt on the side towards the posi-

tion (clockwise/counter clockwise) of the door. In order to immobilize the position, tighten the fixing bolt at the top. Tighten the fixing bolt at the bottom.



## 4.1 Electrical Connection



**WARNING:** Do not use extension or multi sockets in power connection.



**WARNING:** Damaged power cable must be replaced by Authorized Service.

- Our firm will not assume responsibility for any damages due to usage without earthing and power connection in compliance with national regulations.

- The power cable plug must be easily accessible after installation.



#### Hot surface warning!

The side walls of your product are equipped with cooler pipes to enhance the cooling system. High pressure fluid may flow through these surfaces, and cause hot surfaces on the side walls. This is normal and it does not require servicing. Be careful when you contact these areas.

## 5 Preparation



Read the "Safety Instructions" section first!

### 5.1 What To Do For Energy Saving



Connecting the product to electronic energy-saving systems is harmful, as it may damage the product.

- This refrigerating appliance is not intended to be used as a built in appliance.
- Do not keep the refrigerator doors open for long periods.
- Do not place hot food or beverages into the refrigerator.
- Do not overfill the refrigerator; blocking the internal air flow will reduce cooling capacity.
- Since hot and humid air will not directly penetrate into your product when the doors are not opened, your product will optimize itself in conditions sufficient to protect your food. Under these circumstances, functions and components such as compressor, fan, heater, defrost, lighting, display and so on will operate according to the needs by consuming minimum energy.
- In case that multiple options are present, glass shelves must be placed so that the air outlets at the rear wall are not blocked and preferably, in a way that air outlets remain below the glass shelf. This combination may help improving air distribution and energy efficiency.

- Using the below drawer when storing is strongly recommended.
- Food shall be stored using the drawers in the cooler compartment in order to ensure energy saving and protect food in better conditions.

### 5.2 First Use

Before using your refrigerator, make sure the necessary preparations are made in line with the instructions in "Safety and Environmental Instructions" and "Installation" sections.

- Keep the product running without placing any food inside for 6 hours and do not open the door, unless absolutely necessary.
- The temperature change caused by opening and closing of the door while using the product may normally lead to condensation on door/body shelves and glassware placed in the product.



A sound will be heard when the compressor is engaged. It is normal for the product to make noise even if the compressor is not running, as fluid and gas may be compressed in the cooling system.



It is normal for the front edges of the refrigerator to be warm. These areas are designed to warm up in order to prevent condensation.





For some models, indicator panel turns off automatically 1 minute after the door closes. It will be re-activated when the door is opened or any button is pressed.

### 5.3 Climate Class and Definitions

Please refer to the Climate Class on the rating plate of your device. One of the following information is applicable to your device according to the Climate Class.

- **SN:** Long Term Temperate Climate: This cooling device is designed for use at ambient temperatures between 10 °C and 32 °C.
- **N:** Temperate Climate: This cooling device is designed for use at ambient temperatures between 16°C and 32 °C.
- **ST:** Subtropical Climate: This cooling device is designed for use at ambient temperatures between 16°C and 38°C.
- **T:** Tropical Climate: This cooling device is designed for use at ambient temperatures between 16°C and 43°C.

## 6 Operating the Product



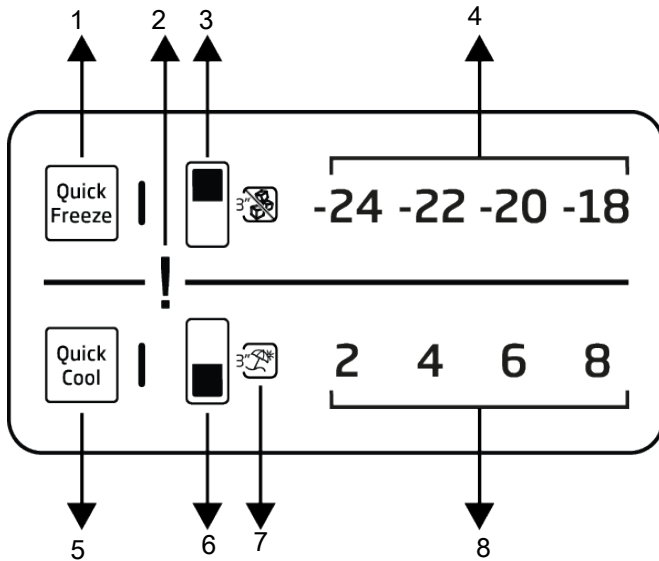
Read the "Safety Instructions" section first!

- Do not use any mechanical tools or any other tools than the recommendations of the manufacturer to speed up the defrost operation.
- Do not use parts of your refrigerator such as the door or drawers as a support or a step. This may cause the product to trip over or its components to be damaged.
- The product shall be used for storing food only.


- Turn off the water valve if you will be away from home (e.g. at vacation) and you will not be using the Icematic or the water dispenser for a long period of time. Otherwise, water leaks may occur.

### Unplugging the Product

- If you are not going to use the product for a long time, unplug the product from the socket.
- Remove the food to prevent odours,
- Wait for the ice to melt, clean the interior and let it dry, leave the doors open to avoid damaging the inner body plastics.



- 1 Quick freeze key
- 2 \* Error Status Indicator
- 3 Freezer Compartment Temperature Setting Key
- 4 Freezer Compartment Temperature Indicator
- 5 Quick Cooling Key
- 6 Cooler Compartment Temperature Setting Key
- 7 \* Vacation Function Indicator
- 8 Refrigerator Compartment Temperature Indicator

 **Read the “Safety Instructions” section first.**

\*Optional: Shown functions are optional, there may be differences of shape and location in functions found on your appliance’s indicator panel.

Auditory and visual functions on the indicator panel will assist you in using the refrigerator.

**1. Quick Freezing Key**

When the quick freezing key is pressed, the quick freezing function shall be activated. Press the key again to cancel the function. Unless the button is pressed to cancel it, the quick freeze function will automatically deactivate after the pre-set time. To freeze a large amount of fresh food, press the quick freezing key before placing the food in the freezer compartment.

## 2. \* Error Status Indicator

This indicator is triggered when your refrigerator fails to cool adequately or when a sensor malfunction occurs.

## 3. Freezer Compartment Temperature

### Setting Key

This function allows you to adjust the temperature of the Freezer compartment.

Press this button to set the temperature of the freezer compartment to -18, -20, -22 and -24 respectively.

## 4. Freezer Compartment Temperature Indicator

The set temperature of the freezer compartment is displayed as -18°C, -20°C, -22°C, and -24°C.

## 5. Quick Cooling Key

When the quick cooling key is pressed, the quick cooling function shall be activated. Press the key again to cancel the function. Unless the button is pressed to cancel it, the quick cooling function will automatically deactivate after the pre-set time.

## 6. Cooler Compartment Temperature

### Setting Key

This function allows you to adjust the temperature of the cooler compartment. Press this button to set the temperature of the cooler compartment to -8, -6, -4 and -2 respectively.

## 7. \* Vacation Function Indicator

To activate vacation function, press the key for 3 seconds. Vacation mode is activated, and during this time, the cooling compartment does not actively perform cooling. You should not keep your food in the cooler compartment if you activate this function. The other compartments continue to cool according to temperatures set before. Press the key for 3 seconds again to cancel this function.

## 8. Refrigerator Compartment Temperature Indicator

The set temperature of the cooler compartment is displayed as 2°C, 4°C, 6°C, and 8°C.

# 8 Using The Product



Read the "Safety Instructions" section first!

### Storing food in the freezer compartment

- You can activate Quick Freezing function 4-6 hours before freezing function and perform a faster cooling.
- Bring hot meals to the room temperature before placing them in the freezer compartment.
- Foods to be frozen must be divided into portions according to a size to be consumed, and frozen in separate packages.
- It is recommended to pack the foods before placing them in the freezer.
- In order to prevent expiration of storage time, write the freezing date, time and name of the product on the package according to the storage times of different foods.

- Consume the foods you have defrosted quickly. Defrosted foods cannot be frozen again unless they are cooked. It is not safe to consume the refrozen fresh foods without cooking after they are defrosted.
- As you freeze fresh foods, do not bring them in contact with already frozen foods. Otherwise, frozen foods will be defrosted.

### Storing the foods, which are sold frozen

- Always follow the instructions of the producer in relation to the time during which you are required to store your foods. Do not exceed the time specified in these instructions!
- In order to protect the quality of the food, keep the time interval between purchasing transaction and storing as short as possible.
- Buy frozen food which are stored at -18 °C or lower temperatures.

- Avoid buying foods whose packages are covered with ice etc. This means that the product could be partially defrosted and refrozen. Temperature impacts the quality of the food.
- Do not exceed the storing time recommended by the food producer. Remove only the food as much as you need from the freezer.
- Except the cases where extreme circumstances are available in the environment, if your product (on the recommended set values table) is set to the specified set values, the food keep their freshness for a longer time both in the fresh product compartment and freezer compartment.
- If fresh food compartment is set to a lower temperature, fresh fruits and vegetables may be partially frozen.

### Recommended set values table

Freezer Compartment Setting	Fridge Compartment Setting	Remarks
-18 °C	4 °C	This is the default, recommended setting. This setting is recommended if ambient temperature is below 30 °C.
-20, -22 or -24 °C	4 °C	These settings are recommended for ambient temperatures exceeding 30 °C.
Quick Freeze	4 °C	Use when you want to freeze your food in a short time. When the process ends, the product's settings will return to previous position.
-18 °C or colder	2 °C	Use these settings if you believe the cooler compartment is not cold enough due to ambient temperature or frequently opening the door.

### Quick freezing

1. Activate the quick freezing function 24 hours before placing your fresh foods.
2. After 24 hours after pressing the button, place your food that you want to freeze in the third or fourth drawers with higher freezing capacity.
3. The quick freezing function will be automatically deactivated after 24 hours.

### Freezer details

As per the IEC 62552 standards, the freezer must have the capacity to freeze 4.5 kg of food items at -18 °C or lower temperatures at 25 °C room temperature in 24 hours for each 100 litres of freezer compartment volume.

Food products can only be preserved for extended periods at or below temperature of -18 °C.

You can keep the foods fresh for months (in freezer at or below temperatures of -18 °C).

The food products to be frozen must not contact the already-frozen food inside to avoid partial defrosting.

Boil the vegetables and filter the water to extend the frozen storage time. Place the food in air-tight packages after filtering and place in the freezer. Bananas, tomatoes, lettuce, celery, boiled eggs, potatoes and similar food items should not be frozen. In case these foods are frozen, only nutritional values and eating qualities will be negatively affected. A rotting that would threaten human health is not in question.

### Placing the food

**Freezer compartment shelves:** Different frozen foods like meat, fish, ice cream, vegetables etc.

**Cooler compartment shelves:** Food items inside pots, capped plate and capped cases, eggs (in closed case)

**Cooler compartment door shelves:** Small and packaged food or beverages

**Crisper:** Vegetables and fruits

**Fresh food compartment:** Delicatessen (breakfast food, meat products to be consumed in short time)

### Storing food in the cooler compartment

- Compartment temperatures rise prominently if compartment door is opened and closed frequently and kept open for a long time, this can reduce the life span of the food and cause the food to spoil.
- In order not to cause odour and taste changes, the food should be stored in the closed containers.
- Do not store too much food in your refrigerator. To achieve a better and homogeneous cooling, place the food separately in a way that cold air can wander through them.
- Provide air flow by leaving a space between the food and internal wall. If you lean the food against the rear wall, the food may freeze.
- Bring cooked hot meals to the room temperature before placing them in the refrigerator. Then, you can place the tepid meal in the lower shelves of your refrigerator. Do not place the tepid meals close to the foods which may easily spoil.
- Defrost your frozen food in the fresh food compartment. Thereby, you can cool fresh food compartment by using frozen food and save energy.
- Storing unripe tropical fruits (mango, melon varieties, papaya, banana, pineapple) in the refrigerator may speed up the ripening process This is not recommended because it will cause shorter storage time.
- You should store onions, garlics, gingers and other root vegetables in dark and cold room conditions, not in the refrigerator.
- If you notice that a food has spoiled in the refrigerator, throw away that food and clean the accessories which have come into contact with it.
- In order to cool the meals like soups and stews, which are cooked in the large pots, quickly, you can put them in the refrigerator by separating them into their own shallow containers.
- Do not place unpackaged food close to eggs.
- Keep the fruits and vegetables separately and store each variety together (for example; apples with apples, carrots with carrots)
- Take green vegetables out of the plastic bag and place them in the refrigerator after wrapping them in a paper towel or drying cloth. If you wash this type of food before placing them in the refrigerator, remember to dry them.
- You can both create a damp environment and provide an air flow by keeping fruits and vegetables, which are prone to drying, in the perforated or unsealed plastic bags.
- Except the cases where extreme circumstances are available in the environment, if your product (on the recommended set values table) is set to the specified set values, the food keep their freshness for a longer time both in the fresh product compartment and freezer compartment.

### Store different food in different places according to their properties.

Food	Location
Egg	Door Shelf
Dairy products (butter, cheese)	If available, zero degree (for breakfast food) compartment
Fruits, vegetables and greenery	Fruit-vegetable compartment, crisper or EverFresh+ compartment (if available)

Food	Location
Fresh meat, poultry, fish, sausage etc. Cooked foods	If available, zero degree (for breakfast food) compartment
Ready to serve foods, packaged products, canned foods and pickles	Top shelves or door shelf
Beverages, bottles, spices and snacks	Door Shelf

## 8.1 Replacing the Illumination Lamp

Call the Authorized Service when the Bulb/LED used for lighting in your refrigerator will be replaced.

Lamp(s) used in this appliance cannot be used for house lighting. Intended use of this lamp is to help the user place food into the refrigerator / freezer safely and comfortably.

## 8.2 Door Open Alert

The door open alert system of your refrigerator may differ depending on the model.

### Version 1;

If the door of the product remains open for a certain time (between 60 s and 120 s), an audio warning signal sounds; depending on the product model, a visual warning signal

(light flash) can also be displayed. If you close the door of the device or press a button on the screen of the device, if any, the warning sound will stop.

### Version 2;

If the door of the device remains open for a certain period of time (between 60 s and 120 s), the door open alert is sounded. The door open alert is sounded gradually. First, an audible warning starts to sound. After 4 minutes, if the door is still not closed, a visual warning (lighting flash) is activated. The door open alert will be delayed for a certain period of time (between 60 s and 120 s) when any key on the product screen, if any, is pressed. Then the process will start again. When the device door is closed, the door open alert will be cancelled.

## 9 Product Features

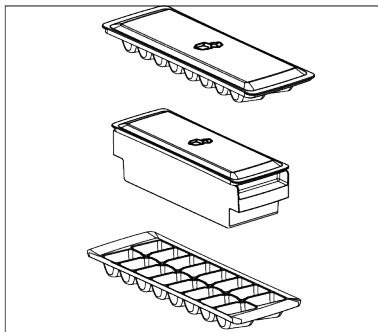
### 9.1 The ice storage area

#### Ice Container

Ice bucket allows you take ice easily from the refrigerator.

#### Using the ice bucket

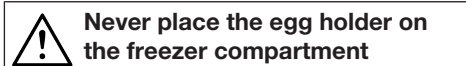
1. Take the ice bucket out of the freezer compartment.
2. Fill the ice bucket with water.
3. Place the ice bucket into the freezer compartment. The ice will be ready after approximately two hours.
4. Take the ice bucket from the freezer compartment and bend in slightly over the holder that you are going to serve. Ice will easily pour into the serving holder.



### 9.2 Egg holder

You can place the egg holder on the door or body shelf you wish.

If the egg holder is to be placed on the body shelf, we recommend you to choose colder lower shelves.



**Never place the egg holder on the freezer compartment**

### 9.3 Crisper

The refrigerator's crisper is designed to keep vegetables fresh by preserving their humidity. For this purpose, the overall cold air circulation is intensified in the crisper. Keep fruits and vegetables in this compartment. Keep the green-leaved vegetables and fruits separately to prolong their life.

### 9.4 Crisper Technologies

#### Blue Light

Fruits and vegetables stored in the crispers that are illuminated with a blue light continue their photosynthesis by means of the wavelength effect of blue light and thus preserve their vitamin content.

#### HarvestFresh

Fruits and vegetables stored in crispers illuminated with the HarvestFresh technology preserve their vitamins for a longer time thanks to the blue, green, red lights and dark cycles, which simulate a day cycle. When the door of your refrigerator is opened during the dark period of the HarvestFresh technology, your refrigerator shall sense this automatically and illuminate the crisper with one of the blue, green or red lights respectively for your convenience. After you have closed the door of the refrigerator, the dark period will continue, representing the night time in a day cycle.

### 9.5 Dairy Products Cold Storage Area

#### Cold Storage Drawer

The Cold Storage Drawer can reach lower temperatures in the cooler compartment. Use this drawer for delicatessen products

(salami, sausage, etc.) and dairy products that require colder storage conditions, or for meat, chicken or fish to be consumed quickly. It is not suitable to store fruits and vegetables in this drawer.

### 9.6 Humidity Controlled Crisper

#### Everfresh

With the humidity controlled crisper feature, the humidity of vegetables and fruits is kept under control and the food is kept fresh for a longer period of time.

We recommend that you place leafy vegetables such as lettuce, spinach and similar vegetables that are sensitive to moisture loss in the crisper, not upright on their roots, but as horizontally as possible.

When placing the vegetables, place heavy and hard vegetables at the bottom and light and soft ones on the top, taking into account the specific weights of vegetables.


Never leave vegetables in plastic bags in the crisper. Leaving them in plastic bags causes vegetables to rot in a short time.

In situations where contact with other vegetables is not preferred, use packaging materials such as paper that has a certain level of porosity in terms of hygiene.

Do not put fruits that have a high ethylene gas production such as pear, apricot, peach and particularly apple in the same crisper with other vegetables and fruits. The ethylene gas coming out of these fruits might cause other vegetables and fruits to mature faster and rot in a shorter period of time.

## 10 Maintenance and Cleaning

	<b>WARNING:</b> Read the "Safety Instructions" section first.
--	--

	<b>WARNING:</b> Unplug the refrigerator before cleaning it.
--	--

- Do not use sharp or abrasive tools to clean the product. Do not use materials such as household cleaning agents, soap, detergents, gas, gasoline, thinner, alcohol, wax, etc.

- The dust shall be removed from the ventilation grill on the rear of the product at least once a year (without opening the cover). Clean the product with a dry cloth.
- Take care to keep water away from the lamp's cover and other electrical parts.
- Clean the door with a damp cloth. Remove all contents to remove the door and body racks. Remove the door racks by lifting them upwards. Clean and dry the shelves, then attach back in place by sliding from above.
- Do not use chlorinated water or cleaning products on the exterior surface and chrome-coated parts of the product. Chlorine will cause rust on such metallic surfaces.
- Do not use sharp and abrasive tools, soap, house cleaning materials, detergents, gas, gasoline, varnish and similar substances to prevent deformation of the plastic part and removal of prints on the part. Use warm water and a soft cloth for cleaning, and then dry it.
- On the products without a No-Frost feature, water droplets and icing up to a thickness of a finger may occur on the rear wall of the freezer compartment. Do not clean, and never apply oils or similar materials.
- Use a mildly dampened micro-fibre cloth to clean the external surface of the product. Sponges and other types of cleaning clothes may cause scratches.
- To clean all removable components during the cleaning of the interior surface of the product, wash these components

with a mild solution consisting of soap, water and carbonate. Wash and dry thoroughly. Prevent contact of water with illumination components and the control panel.



**CAUTION:**

Do not use vinegar, rubbing alcohol or other alcohol based cleaning agents on any interior surface.

**Stainless Steel External Surfaces**

Use a non-abrasive stainless steel cleaning agent and apply it with a soft lint-free cloth. To polish, gently wipe the surface with a micro-fibre cloth dampened with water and use dry polishing chamois. Always follow the veins of the stainless steel.

**Preventing Odours**

The product is manufactured free of any odorous materials. However, keeping the food in inappropriate sections and improper cleaning of internal surfaces may lead to odours.

- To avoid this, clean the inside with carbonated water every 15 days.
- Keep the foods in sealed holders, as micro-organisms arising from foods kept in unsealed containers will cause bad odour.
- Do not keep expired and spoiled foods in the refrigerator.

**Protecting Plastic Surfaces**

Oil spilled on plastic surfaces may damage the surface and must be cleaned immediately with warm water.

## 11 Troubleshooting

Check this list before contacting the service. Doing so will save you time and money. This list includes frequent complaints that are not related to faulty workmanship or materials. Certain features mentioned herein may not apply to your product.

**The refrigerator is not working.**

- The power plug is not fully settled. >>> Plug it in to settle completely into the socket.
- The fuse connected to the socket powering the product or the main fuse is blown. >>> Check the fuse.



### **Condensation on the side wall of the cooler compartment (MULTI ZONE, COOL CONTROL and FLEXI ZONE).**

- The door is opened too frequently. >>> Take care not to open the product's door too frequently.
- The environment is too humid. >>> Do not install the product in humid environments.
- Foods containing liquids are kept in unsealed holders. >>> Keep the foods containing liquids in sealed holders.
- The product's door is left open. >>> Do not keep the product's door open for long periods.
- The thermostat is set to a very cool temperature. >>> Set the thermostat to an appropriate temperature.

### **Compressor is not working.**

- In case of sudden power failure or pulling the power plug off and putting back on, the gas pressure in the product's cooling system is not balanced, which triggers the compressor thermic safeguard. The product will restart after approximately 6 minutes. If the product does not restart after this period, contact the service.
- Defrosting is active. >>> This is normal for a fully-automatic defrosting product. The defrosting is carried out periodically.
- The product is not plugged in. >>> Make sure the power cord is plugged in.
- The temperature setting is incorrect. >>> Select the appropriate temperature setting.
- The power is out. >>> The product will continue to operate normally once the power is restored.

### **The refrigerator's operating noise is increasing while in use.**

- The product's operating performance may vary depending on the ambient temperature variations. This is normal and not a malfunction.

### **The refrigerator runs too often or for too long.**

- The new product may be larger than the previous one. Larger products will run for longer periods.
- The room temperature may be high. >>> The product will normally run for long periods in higher room temperature.
- The product may have been recently plugged in or a new food item is placed inside. >>> The product will take longer to reach the set temperature when recently plugged in or a new food item is placed inside. This is normal.
- Large quantities of hot food may have been recently placed into the product. >>> Do not place hot food into the product.
- The doors were opened frequently or kept open for long periods. >>> The warm air moving inside will cause the product to run longer. Do not open the doors too frequently.
- The freezer or cooler door may be ajar. >>> Check that the doors are fully closed.
- The product may be set to a temperature that is too low. >>> Set the temperature to a higher degree and wait for the product to reach the adjusted temperature.
- The cooler or freezer door washer may be dirty, worn out, broken or not properly settled. >>> Clean or replace the gasket. Damaged / torn door washer will cause the product to run for longer periods to preserve the current temperature.

### **The freezer temperature is very low, but the cooler temperature is adequate.**

- The freezer compartment temperature is set to a very low degree. >>> Set the freezer compartment temperature to a higher degree and check again.

### **The cooler temperature is very low, but the freezer temperature is adequate.**

- The cooler compartment temperature is set to a very low degree. >>> Set the cooler compartment temperature to a higher degree and check again.

### **The food items kept in cooler compartment drawers are frozen.**

- The cooler compartment temperature is set to a very low degree. >>> Set the cooler compartment temperature to a higher degree and check again.

### **The temperature in the cooler or the freezer is too high.**

- The cooler compartment temperature is set to a very high degree. >>> Temperature setting of the cooler compartment has an effect on the temperature in the freezer compartment. Wait until the temperature of relevant parts reach the sufficient level by changing the temperature of cooler or freezer compartments.
- The doors were opened frequently or kept open for long periods. >>> Do not open the doors too frequently.
- The door may be ajar. >>> Fully close the door.
- The product may have been recently plugged in or a new food item is placed inside. >>> This is normal. The product will take longer to reach the set temperature when recently plugged in or a new food item is placed inside.
- Large quantities of hot food may have been recently placed into the product. >>> Do not place hot food into the product.

### **Shaking or noise.**

- The surface is not flat or durable >>> If the product is shaking when moved slowly, adjust the stands to balance the product. Also make sure the ground is sufficiently durable to bear the product.
- Any items placed on the product may cause noise. >>> Remove any items placed on the product.
- The product is making noise of liquid flowing, spraying etc.
- The product's operating principles involve liquid and gas flows. >>> This is normal and not a malfunction.

### **There is sound of wind blowing coming from the product.**

- The product uses a fan for the cooling process. This is normal and not a malfunction.

### **There is condensation on the product's internal walls.**

- Hot or humid weather will increase icing and condensation. This is normal and not a malfunction.
- The doors were opened frequently or kept open for long periods. >>> Do not open the doors too frequently; if open, close the door.
- The door may be ajar. >>> Fully close the door.

### **There is condensation on the product's exterior or between the doors.**

- The ambient weather may be humid, this is quite normal in humid weather. >>> The condensation will dissipate when the humidity is reduced.

### **The interior smells bad.**

- The product is not cleaned regularly. >>> Clean the interior regularly using sponge, warm water and carbonated water.
- Certain holders and packaging materials may cause odour. >>> Use holders and packaging materials without free of odour.
- The foods were placed in unsealed holders. >>> Keep the foods in sealed holders. Microorganisms may spread out of unsealed food items and cause bad odour.
- Remove any expired or spoiled foods from the product.

### **The door is not closing.**

- Food packages may be blocking the door. >>> Relocate any items blocking the doors.
- The product is not standing in full upright position on the ground. >>> Adjust the stands to balance the product.
- The surface is not flat or durable >>> Make sure the surface is flat and sufficiently durable to bear the product.

**The crisper is jammed.**

- The food items may be in contact with the upper section of the drawer. >>> Reorganize the food items in the drawer.

**Temperature on the product surface.**

- High temperature may be observed between two doors, on the side panels and on the rear grill area while your product is operated. This is normal and it does not require servicing.

**Fan continues to operate when the door is opened.**

- Fan may continue to operate when the freezer door is open.



**WARNING:** If the problem persists after following the instructions in this section, contact your vendor or an Authorized Service. Do not try to repair the product. This is normal.

**Packaging sorting information**

Please scan the QR code which places on the outer packaging of the product to find all the information relating to the packaging and how to manage the packaging waste.

**DISCLAIMER / WARNING**

Some (simple) failures can be adequately handled by the end-user without any safety issue or unsafe use arising, provided that they are carried out within the limits and in accordance with the following instructions (see the "Self-Repair" section).

Therefore, unless otherwise authorized in the "Self-Repair" section below, repairs shall be addressed to registered professional repairers in order to avoid safety issues. A registered Professional repairer is a professional repairer that has been granted access to the instructions and spare parts list of this product by the manufacturer according to the methods described in legislative acts pursuant to Directive 2009/125/EC.

**However, only the service agent (i.e. authorized professional repairers) that you can reach through the phone number given in the user manual/warranty card or through your authorized dealer may provide service under the guarantee terms. Therefore, please be advised that repairs by professional repairers (who are not authorized by) Beko shall void the guarantee.**

**Self-Repair**

Self-repair can be done by the end-user with regard to the following spare parts: door handles, door hinges, trays, bas-

kets and door gaskets (an updated list is also available support.beko.com as of 1st March 2021).

Moreover, to ensure product safety and to prevent risk of serious injury, the mentioned self-repair shall be done following the instructions in the user manual for selfrepair or which are available in support.beko.com . For your safety, unplug the product before attempting any self-repair. Repair and repair attempts by end-users for parts not included in such list and/or not following the instructions in the user manuals for self-repair or which are available in support.beko.com, might give raise to safety issues not attributable to Beko, and will void the warranty of the product.

Therefore, it is highly recommended that end-users refrain from the attempt to carry out repairs falling outside the mentioned list of spare parts, contacting in such cases authorized professional repairers or registered professional repairers. On the contrary, such attempts by end-users may cause safety issues and damage the product and subsequently cause fire, flood, electrocution and serious personal injury to occur.

By way of example, but not limited to, the following repairs must be addressed to authorized professional repairers or re-

gistered professional repairers: compressor, cooling circuit, main board, inverter board, display board, etc.

The manufacturer/seller cannot be held liable in any case where end-users do not comply with the above.

The spare part availability of the refrigerator that you purchased is 10 years. During this period, original spare parts will be available to operate the refrigerator properly

The minimum duration of guarantee of the refrigerator that you purchased is 24 months.

This product is equipped with a lighting source of the "G" energy class.

The lighting source in this product shall only be replaced by Professional repairer.

---



# Lexoni këtë manual në fillim!

## I nderuar klient

### Lexoni këtë manual para se të përdorni produktin.

Ju falënderojmë që zgjodhët këtë produkt Beko. Dëshirojmë që të arrini efikasitetin maksimal nga ky produkt i cilësisë së lartë i cili është prodhuar me teknologjinë më të përparuar. Për ta bërë këtë, para se ta përdorni këtë produkt lexoni me kujdes këtë manual dhe çdo dokument tjetër shoqërues dhe ruajini për t'iu referuar në të ardhmen.

Kushtojuni vëmendje të gjitha informacioneve dhe paralajmërimeve në manualin e përdorimit. Në këtë mënyrë do të mbroni veten dhe produktin tuaj nga rreziqet që mund të ndodhin.

Ruajeni manualin e përdorimit. Nëse ia jepni këtë pajisje dikujt tjetër, jepini edhe këtë manual bashkë me pajisjen.

### Në këtë manual përdorimi janë përdorur simbolet vijuese:



Rrezik që mund të çojë në vdekje ose lëndim.



Informacione të rëndësishme ose këshilla të dobishme për përdorimin.







Lexoni manualin e përdorimit.



Material i ndezshëm, paralajmërim për rrezik zjarri.

VINI RE Një rrezik që mund të shkaktojë dëme materiale ndaj produktit ose ambientit përreth

  <b>SUPPLIER'S NAME</b> <b>MODEL IDENTIFIER</b> → (*)  	Informacionet e modelit të ruajtura në bazën e të dhënave të produktit mund të arrihen duke hyrë në faqen e mëposhtme të internetit dhe duke kërkuar për identifikuesin e modelit (*) që gjendet në etiketën e energjisë. <a href="https://eprel.ec.europa.eu/">https://eprel.ec.europa.eu/</a>
--	--

<b>1</b>	<b>Udhëzimet për sigurinë .....</b>	<b>32</b>
1.1	Qëllimi i përdorimit .....	32
1.2	Siguria e fëmijëve, personave të cenueshëm dhe kafshëve shtëpiake.....	32
1.3	Siguria elektrike .....	33
1.4	Siguria gjatë manovrimit.....	34
1.5	Siguria gjatë montimit.....	34
1.6	Siguria gjatë funksionimit .....	37
1.7	Siguria për ruajtjen e ushqimeve..	39
1.8	Siguria gjatë mirëmbajtjes dhe pastrimit.....	40
1.9	Hedhja e produktit të vjetër.....	40
<b>2</b>	<b>Udhëzimet për mjedisin .....</b>	<b>41</b>
2.1	Përputhja me direktivën WEEE dhe hedhja e produktit të përdorur.....	41
<b>3</b>	<b>Frigoriferi juaj.....</b>	<b>42</b>
<b>4</b>	<b>Montimi.....</b>	<b>43</b>
4.1	Lidhja elektrike.....	44
<b>5</b>	<b>Përgatitja .....</b>	<b>45</b>
5.1	Çfarë të bëni për kursimin e energjisë.....	45
5.2	Përdorimi për herë të parë .....	45
5.3	Klasa e klimës dhe përkufizimet ..	46
<b>6</b>	<b>Vënia në punë e produktit.....</b>	<b>46</b>
<b>7</b>	<b>Paneli i kontrollit të produktit .....</b>	<b>47</b>
<b>8</b>	<b>Përdorimi i Produktit .....</b>	<b>48</b>
8.1	Ndërrimi i llambës së ndriçimit ....	48
8.2	Sinjalizimi për hapjen e derës.....	48
<b>9</b>	<b>Karakteristikat e produktit.....</b>	<b>49</b>
9.1	Zona e ruajtjes së akullit .....	49
9.2	Mbajtësja e vezëve.....	49
9.3	Koshi i perimeve .....	49
9.4	Teknologjia e koshit të perimeve .	49
9.5	Zona e ruajtjes së ftohtë për produktet e bulmetit.....	49
9.6	Koshi i perimeve me kontroll të lagështisë.....	50
<b>10</b>	<b>Mirëmbajtja dhe pastrimi.....</b>	<b>50</b>
<b>11</b>	<b>Zgjidhja e problemeve.....</b>	<b>51</b>

## 1 Udhëzimet për sigurinë

- Ky paragraf përfshin udhëzime për sigurinë të nevojshme për të parandaluar rrezikun e lëndimeve personale dhe të dëmeve materiale.
- Kompania jonë nuk do të jetë përgjegjëse për dëmtimet që mund të ndodhin nëse nuk respektohen këto udhëzime.



Sigurohuni që veprimet e montimit dhe të riparimit të kryhen gjithmonë nga prodhuesi, shërbimi i autorizuar ose një person që do të rekomandohet nga kompania importuese.



Përdorni vetëm pjesë ndërrimi dhe aksesore origjinale.



Mos riparoni dhe mos zëvendësoni asnjë përbërës të produktit nëse nuk është specifikuar qartë në manualin e përdorimit.



Mos bëni ndonjë modifikim në produkt.

### 1.1 Qëllimi i përdorimit

- Ky produkt nuk është i përshtatshëm për përdorim tregtar dhe nuk duhet të përdoret për një qëllim të ndryshëm nga qëllimi i synuar.
- Ky produkt është planifikuar për përdorim në ambiente të brendshme, si p.sh. shtëpi ose ambiente të ngjashme.

Për shembull;  
Në kuzhinat e personelit në dyqane, zyra dhe ambiente të tjera pune,  
Në shtëpi në ferma,  
Në njësi hotelesh, motelesh ose objekte të tjera pushimi që përdoren nga klientët,  
Në hostele ose ambiente të ngjashme,  
Në shërbimet e kateringut dhe përdorime të ngjashme jotregtare.

- Ky produkt nuk duhet të përdoret në ambiente të jashtme të hapura ose të mbyllura, si p.sh. në anije, rulota, ballkone ose tarraca. Ekspozimi i produktit ndaj shiut, borës, dritës së diellit dhe erës mund të shkaktojë rrezik zjarri.

### 1.2 Siguria e fëmijëve, personave të cenueshëm dhe kafshëve shtëpiake



- Ky produkt mund të përdoret nga fëmijët e moshës 8 vjeç e lart dhe nga personat me aftësi të reduktuara fizike, ndijore ose mendore apo me mungesë eksperience dhe njohurish, nëse janë nën mbikëqyrje ose janë udhëzuar



për përdorimin e pajisjes në një mënyrë të sigurt, si dhe për rreziqet e përfshira.

- Fëmijët e moshës 3 deri në 8 vjeç lejohen të vendosin dhe të nxjerrin ushqime nga produkti i ftohësit.
- Produktet elektrike janë të rrezikshme për fëmijët dhe kafshët shtëpiake. Fëmijët dhe kafshët shtëpiake nuk duhet të luajnë me produktin, të ngjiten mbi të ose të hyjnë në të.
- Pastrimi dhe mirëmbajtja nga përdoruesi nuk duhet të kryhen nga fëmijët përveç rastit kur po i mbikëqyr dikush.
- Mbajni materialet e paketimit larg fëmijëve. Rrezik lëndimi dhe mbytjeje.

Para se t'i hidhni produktet e vjetra që nuk do të përdoren më:

1. Shkëputeni kordonin elektrik nga priza në mur.
2. Priteni kabllon elektrike dhe hiqeni nga pajisja bashkë me spinën.
3. Mos i hiqni raftet dhe sirtarët nga produkti për të parandaluar hyrjen e fëmijëve brenda në pajisje.
4. Hiqni dyert.
5. Vendoseni produktin në mënyrë që të mos rrëzohet.
6. Mos i lejoni fëmijët të luajnë me produktin e hedhur.

- Mos e asgjësoni produktin duke i vënë zjarrin. Rrezik shpërthimi.
- Nëse ka një kyç te dera e produktit, mbajeni çelësin larg fëmijëve.

### 1.3 Siguria elektrike

- Produkti nuk duhet të vihet në prizë gjatë operacioneve të montimit, mirëmbajtjes, pastrimit, riparimit dhe transportit.
- Nëse kabloja elektrike dëmtohet, ajo duhet të zëvendësohet vetëm nga shërbimi i autorizuar për të shmangur çdo rrezik që mund të ndodhë.
- Mos e futni kabllon elektrike poshtë produktit ose në pjesën e pasme të produktit. Mos vendosni objekte të rënda mbi kabllon elektrike. Kabloja elektrike nuk duhet lakuar ose shtypur dhe nuk duhet të vihet në kontakt me ndonjë burim nxehtësie.
- Mos përdorni një kordon zgjatues, me shumë priza ose një adaptor për përdorimin e produktit.
- Pajisjet me shumë priza ose burimet elektrike portative mund të shkaktojnë mbinxehje dhe zjarr. Për këtë arsye, mos mbani burime elektrike

portative dhe me shumë priza prapa ose në afërsi të produktit.

- Mos e vendosni kordonin elektrik të produktit në një prizë elektrike të dëmtuar ose të lirshme. Këto lloje lidhjesh mund të nxehen shumë ose mund të shkaktojnë zjarr.
- Spina duhet të jetë lehtësisht e arritshme. Nëse kjo gjë nuk është e mundur, në instalimin elektrik duhet të ketë një mekanizëm që është në përputhje me legjislacionin për energjinë elektrike dhe që i shkëput të gjitha terminalet nga rrjeti elektrik (siguresë, automat, automat kryesor etj.)
- Mos e prekni spinën me duar të lagura.
- Kur e hiqni pajisjen nga priza, mos e kapni te kordoni elektrik, por te spina.

#### 1.4 Siguria gjatë manovrimit

- Sigurohuni që ta hiqni pajisjen nga priza para transportit të produktit.
- Ky produkt është i rëndë, mos e manovroni vetëm. Nëse produkti ju bie sipër, kjo mund të shkaktojë lëndime. Mos e përplasni dhe mos e rrëzoni produktin gjatë transportit.

- Mbyllni gjithmonë dyert dhe mos e mbani produktin nga dyert e tij gjatë transportit.
- Tregoni kujdes që të mos e dëmtoni sistemin e ftohjes dhe tubat gjatë manovrimit të produktit. Mos e përdorni produktin nëse tubat janë të dëmtuar dhe kontaktoni me shërbimin e autorizuar.

#### 1.5 Siguria gjatë montimit

- Kontaktoni me Shërbimin e autorizuar për montimin e produktit. Për ta përgatitur produktin për përdorim, shikoni informacionet në manualin e përdorimit dhe sigurohuni që shërbimet elektrike dhe të ujit të jenë siç kërkohet. Nëse jo, telefononi një elektrikist ose hidraulik të kualifikuar për të rregulluar lidhjet e rrjetit publik sipas nevojës. Mosrealizimi i kësaj mund të shkaktojë goditje elektrike, probleme me produktin ose lëndime.
- Ky produkt është projektuar për përdorim në një lartësi maksimale prej 2000 metrash mbi nivelin e detit.
- Kontrolloni për çdo dëmtim në produkt para montimit të tij. Mos e montoni produktin nëse është i dëmtuar.

- Përdorni gjithmonë pajisje personale mbrojtëse (doreza etj.) ( gjatë instalimit, mirëmbajtjes dhe riparimit të produktit. Rrezik për lëndime!
- Vendoseni produktin mbi një sipërfaqe të pastër, të fortë dhe në nivel dhe ekuilibrojeni me këmbët e rregullueshme (duke rrotulluar majtas ose djathtas këmbët e përparme). Në rast të kundërt, frigoriferi mund të përmbysset dhe të shkaktojë lëndime personale.
- Produkti duhet të montohet në një ambient të thatë dhe të ajrosur. Mos mbani tapete, qilima ose mbulesa të ngjashme nën produkt. Kjo mund të shkaktojë rrezik zjarri si rezultat i një ajrosjeje të papërshtatshme!
- Mos i bllokoni ose mbulonin vrimat e ajrimit. Në rast të kundërt, konsumi i energjisë do të rritet dhe produkti yt mund të dëmtohet.
- Kur të vendosni produktin, sigurohuni që kabloja e furnizimit të mos dëmtohet apo kapet.
- Produkti nuk duhet të lidhet me sistemet e furnizimit si p.sh. furnizimi me energji diellore. Në rast të kundërt, produkti juaj mund të dëmtohet për shkak të ndryshimeve të papritura të voltazhit!
- Sa më shumë lëng ftohës të ketë në një frigorifer, aq më e madhe duhet të jetë dhoma e montimit. Në dhoma shumë të vogla, në rast të një rrjedhjeje të gazit në sistemin e ftohjes mund të shfaqet një përzierje e djegshme e gazit me ajrin. Për çdo 8 gramë lëng ftohës kërkohet të paktën 1 m<sup>3</sup> vëllim. Sasia e lëngut ftohës të disponueshëm në produktin tuaj është e specifikuar në etiketën e tipit të produktit.
- Vendi i instalimit të produktit nuk duhet të jetë i ekspozuar ndaj dritës së drejtpërdrejtë të diellit dhe nuk duhet të jetë në afërsi të një burimi nxehtësie si p.sh. soba, radiatorë etj. Nëse nuk mund të shmangni montimin e produktit në afërsi të një burimi nxehtësie, përdorni një pllakë të përshtatshme izolimi dhe sigurohuni që distanca minimale me burimin e nxehtësisë të jetë siç specifikohet më poshtë:
  - Të paktën 30 cm larg nga burimet e nxehtësisë si sobat, furrat, njësitë ngrohëse dhe kaloriferët etj.

- Dhe të paktën 5 cm larg nga furrat elektrike.
- Produkti juaj ka klasën e mbrojtjes I.
- Vendoseni produktin në një prizë me tokëzim që është në përputhje me vlerat e voltazhit, rrymës elektrike dhe frekuencës të specifikuara në etiketën e tipit të produktit. Priza duhet të ketë një siguresë 10 A - 16 A. Kompania jonë nuk do të mbajë përgjegjësi për asnjë dëmtim të shkaktuar nga përdorimi pa lidhjen e tokëzimit dhe pa lidhjen elektrike në përputhje me rregulloret lokale dhe kombëtare.
- Kablloja elektrike e produktit duhet të hiqet nga priza gjatë montimit. Në rast të kundërt, ekziston rreziku i goditjeve elektrike dhe i lëndimeve personale!
- Mos e vendosni kordonin elektrik të produktit në priza të lirshme, të dala nga vendi, të thyera, të papastra, me vajra ose që janë në rrezik të kontaktit me ujin. Këto lloje lidhjesh mund të shkaktojnë tejnxehe dhe zjarr.
- Vendosini kabllon elektrike dhe tubat e produktit (nëse ka) në mënyrë të tillë që të mos paraqesin rrezik për t'u penguar.
- Depërtimi i lagështisë dhe lëngjeve te pjesët që kanë elektricitet ose te kordoni elektrik mund të shkaktojë qark të shkurtër. Për këtë arsye, mos e përdorni produktin në ambiente me lagështi ose në zona ku mund të ketë spërkatje uji (p.sh. garazhe, dhoma për larjen e rrobave etj.). Nëse frigoriferi laget me ujë, hiqeni nga priza dhe kontakti me shërbimin e autorizuar.
- Mos e lidhni asnjëherë frigoriferin me pajisje për kursimin e energjisë. Këto sisteme janë të dëmshme për produktin.
- Ekziston rreziku i kontaktit me pjesët elektrike kur hiqni kapakun e panelit elektronik dhe kapakun e pasmë të kompresorit (nëse ka). Mos e hiqni kapakun e panelit elektronik dhe kapakun e pasmë të kompresorit (nëse ka). Ekziston rreziku i goditjes elektrike!



## 1.6 Siguria gjatë funksionimit

- Mos përdorni asnjëherë hollues kimikë mbi produkt. Këto materiale përbëjnë rrezik shpërthimi.
- Në rast defekti të produktit, hiqeni nga priza dhe mos e përdorni deri sa të riparohet nga shërbimi i autorizuar. Ekziston rreziku i goditjes elektrike!
- Mos vendosni një burim flakësh (p.sh. qirinj, cigare etj.) mbi produkt ose në afërsi të tij.
- Mos qëndroni mbi produkt. Rrezik rrëzimi dhe lëndimi personal!
- Mos shkaktoni dëmtime të tubave të sistemit të ftohjes me mjete të mprehta ose shpuese. Lëngu ftohës që del në rast se shpohen tubat e gazit, tubat zgjatues ose veshjet e sipërme të sipërfaqes mund të shkaktojë acarim të lëkurës dhe lëndime të syve.
- Mos i vendosni dhe mos i përdorni pajisjet elektrike brenda në frigoriferë/ngrirës përveçse kur këshillohet nga prodhuesi.
- Mos kapni pjesë të duarve ose trupit me pjesët e lëvizshme brenda në produkt. Kini kujdes që të parandaloni kapjen e gishtave mes frigoriferit dhe derës së tij. Kini kujdes gjatë hapjes ose mbylljes së derës nëse ka fëmijë përreth.
- Mos e futni në gojë akulloren, kubat e akullit ose ushqimet e ngrira menjëherë pasi i nxirrni nga ngrirësi. Rrezik djegie nga akulli!
- Mos i prekni muret e brendshme, pjesët metalike të ngrirësit ose ushqimet e vendosura brenda në të me duar të lagura. Rrezik djegie nga akulli!
- Mos vendosni kanaçe me pije me gaz ose kanaçe dhe shishe që kanë lëngje që mund të ngrijnë në ndarjen e ngrirësit. Kanaçet ose shishet mund të shpërthejnë. Rrezik lëndimi personal ose dëmtimi material!
- Mos përdorni ose vendosni materiale të ndjeshme ndaj temperaturës si spërkatës të djegshëm, objekte të djegshme, akull të thatë ose agjentë të tjerë kimikë në afërsi të frigoriferit. Rrezik zjarri dhe shpërthimi!
- Mos mbani materiale shpërthyes si kanaçe me presion me materiale të djegshme brenda në produkt.

- Mos vendosni kanaçe të hapura me lëngje mbi produkt. Spërkatja e ujit në një pjesë elektrike mund të shkaktojë goditje elektrike ose zjarr.
- Ky produkt nuk është planifikuar për ruajtjen dhe ftohjen e barnave, plazmës së gjakut, preparateve laboratorike ose materialeve dhe produkteve të ngjashme që janë objekt i Direktivës për produktet mjekësore.
- Nëse produkti përdoret ndryshe nga qëllimi i planifikuar, ai mund të shkaktojë përkeqësim ose dëmtim të produkteve të mbajtura në të.
- Nëse frigoriferi juaj është i pajisur me një dritë blu, mos e shikoni këtë dritë me pajisje optike. Mos shikoni drejtpërdrejt te drita LED ultravjollcë për një kohë të gjatë. Rrezet ultravjollcë mund të shkaktojnë sforcim të syrit.
- Mos e mbushini produktin me më shumë përmbajtje nga sa është kapaciteti i tij. Mund të ndodhin dëmtime ose lëndime personale nëse artikujt në frigorifer bien kur hapni derën. Mund të ndodhin po ashtu probleme të ngjashme kur një objekt vendoset mbi produkt.
- Sigurohuni që të largoni akullin ose ujin që mund të bjerë në dysheme për të parandaluar lëndimet personale.
- Ndryshoni vendet e rafteve/ rafteve të shisheve në derën e frigoriferit vetëm kur raftet janë bosh. Rrezik për lëndime!
- Mos vendosni objekte që mund të bien/të përmbysen mbi produkt. Këto objekte mund të bien kur hapni ose mbyllni derën dhe të shkaktojnë lëndime personale dhe/ose dëmtime materiale.
- Mos goditni ose ushtroni shumë presion mbi sipërfaqet e xhamit. Xhami i thyer mund të shkaktojë lëndime personale dhe/ose dëmtime materiale.
- Sistemi ftohës në produktin tuaj përmban lëng ftohës R600a. Lloji i lëngut ftohës të përdorur në produkt specifikohet në etiketën e tipit të produktit. Ky gaz është i djegshëm. Për këtë arsye, kini kujdes që të mos e dëmtoni sistemin e ftohjes dhe tubat gjatë përdorimit të produktit. Në rast të dëmtimit të tubave;
  1. Mos e prekni pajisjen ose kabllon elektrike,
  2. Mbajeni produktin larg nga burimet e mundshme të zjarrit që mund të shkaktojnë zjarr në produkt.

3. Ajrosni zonën ku është vendosur produkti. Mos përdorni një ventilator.
4. Kontaktoni me shërbimin e autorizuar.

Nëse produkti dëmtohet dhe vini re rrjedhje gazi, qëndroni larg nga gazi. Gazi mund të shkaktojë djegie nëse bie në kontakt me lëkurën.

Para se t'i hidhni produktet e vjetra që nuk do të përdoren më:

1. Shkëputeni kordonin elektrik nga priza në mur.
  2. Priteni kabllon elektrike dhe hiqeni nga pajisja bashkë me spinën.
  3. Mos i hiqni raftet dhe sirtarët nga produkti për të parandaluar hyrjen e fëmijëve brenda në pajisje.
  4. Hiqni dyert.
  5. Vendoseni produktin në mënyrë që të mos rrëzohet.
  6. Mos i lejoni fëmijët të luajnë me produktin e hedhur.
- Mos e asgjësoni produktin duke i vënë zjarrin. Rrezik shpërthimi.
  - Nëse ka një kyç te dera e produktit, mbajeni çelësin larg fëmijëve.



## 1.7 Siguria për ruajtjen e ushqimeve

Tregoni kujdes për paralajmërimet e mëposhtme për të shmangur prishjen e ushqimeve:

- Nëse i lini dyert të hapura për një kohë të gjatë, kjo mund të shkaktojë rritjen e temperaturës brenda produktit.
- Pastroni rregullisht sistemin e aksesueshëm të shkarkimit që është në kontakt me ushqimet.
- Pastroni depozitat e ujit që nuk janë përdorur për 48 orë dhe sistemet e ujit me furnizim nga rrjeti kryesor që nuk janë përdorur për më shumë se 5 ditë.
- Ruajini produktet e pagatuara të mishit dhe të peshkut në ndarjet e duhura brenda produktit. Në këtë mënyrë, ato nuk shkaktojnë rrjedhje dhe nuk bien në kontakt me ushqimet e tjera.
- Ndarjet e ngrirësit me dy yje përdoren për ruajtjen e ushqimeve të ngrira paraprakisht, për përgatitjen dhe për ruajtjen e akullit dhe të akulloreve.
- Ndarjet me një, dy dhe tre yje nuk janë të përshtatshme për ngrirjen e ushqimeve të freskëta.

- Nëse produkti i ftohjes lihet bosh për një kohë të gjatë, fikeni produktin, shkrijen, pastrojeni dhe thajeni produktin për të mbrojtur kasën e produktit.

## 1.8 Siguria gjatë mirëmbajtjes dhe pastrimit

- Hiqeni frigoriferin nga priza para se ta pastroni ose të filloni të kryeni mirëmbajtjen.
- Mos e tërhiqni produktin nga doreza e derës nëse duhet ta lëvizni produktin për të pastruar. Doreza mund të shkaktojë lëndime personale nëse e tërhiqni shumë fort.
- Mos i vendosni duart etj. poshtë frigoriferit. Mund të ndodhin bllokime ose cepat e mprehtë mund të shkaktojnë lëndime personale.
- Mos e pastroni produktin duke spërkatur ujë ose duke hedhur ujë mbi produkt dhe brenda në produkt. Rrezik për goditje elektrike dhe zjarr.
- Kur pastroni produktin, mos përdorni vegla të mprehta dhe gërryese ose agjentë pastrimi shtëpie, detergjente, gaz, benzinë, hollues, alkool, llak ose substanca të ngjashme. Përdorni substanca pastrimi

dhe mirëmbajtjeje që nuk janë të dëmshme për ushqimet brenda në produkt.

- Mos përdorni asnjëherë avull ose materiale pastrimi me avull për pastrimin e produktit dhe për shkrijen e akullit brenda. Avulli bie në kontakt me zonat me elektricitet në frigorifer dhe shkakton qark të shkurtër ose goditje elektrike.
- Për të shpejtuar procesin e shkrijes mos përdorni mjete mekanike ose mjete të tjera përveç atyre të rekomanduara nga prodhuesi.
- Tregoni kujdes që të mos lejoni ujin te vrimat e ajrimit, qarqet elektrike ose dritat e produktit.
- Përdorni një pecetë të pastër dhe të thatë për të fshirë pluhurat ose materialet e huaja në kunjat e spinës. Mos përdorni një pecetë të njomë ose të lagur për pastrimin e spinës. Në rast të kundërt, mund të ketë rrezik për goditje elektrike ose zjarr.

## 1.9 Hedhja e produktit të vjetër

Kur të hidhni produktin tuaj të vjetër, ndiqni udhëzimet më poshtë:



- Për të parandaluar që fëmijët të mos kyçen aksidentalisht brenda në produkt, në rast se ka një kyç, çaktivizojeni atë.
- Spërkatja e ftohësit është e dëmshme për sytë. Mos dëmtoni pjesët e sistemit të ftohjes gjatë hedhjes së produktit të vjetër.
- Mund të jetë fatale nëse vaji i kompresorit gëlltitet ose nëse depërton në kanalim e frymëmarrjes.
- Sistemi i ftohjes i produktit përfshin gaz R600a siç specifikohet në etiketën e llojit. Ky gaz është i djegshëm. Mos e asgjësoni produktin duke i vënë zjarrin. Rrezik shpërthimi!

## 2 Udhëzimet për mjedisin

### 2.1 Përputhja me direktivën WEEE dhe hedhja e produktit të përdorur



Ky produkt është në përputhje me Direktivën evropiane WEEE (2012/19/EU). Ky produkt ka një simbol klasifikimi për pajisjet elektrike dhe elektronike të përdorura

(WEEE).

Ky simbol tregon se ky produkt nuk duhet të hidhet me mbeturina të tjera shtëpiake në fund të jetëgjatësisë së shërbimit. Pajisjet e përdorura duhet të kthehen te pika zyrtare e grumbullimit për riciklimin e pajisjeve elektrike dhe elektronike. Për t'i gjetur këto sisteme grumbullimi, kontaktoni me autoritetet lokale ose shitësin ku e keni blerë produktin. Çdo shtëpi ka një rol të rëndësishëm në rikuperimin dhe riciklimin e pajisjeve të vjetra. Hedhja në mënyrën e

dhur e pajisjes së përdorur ndihmon në parandalimin e pasojave të mundshme negative për mjedisin dhe shëndetin e njerëzve.

### Përputhja me direktivën RoHS

Produkti që keni blerë është në përputhje me direktivën RoHS të BE-së (2011/65/EU). Ai nuk përmban materiale të dëmshme dhe të ndaluara të specifikuara në Direktivë.

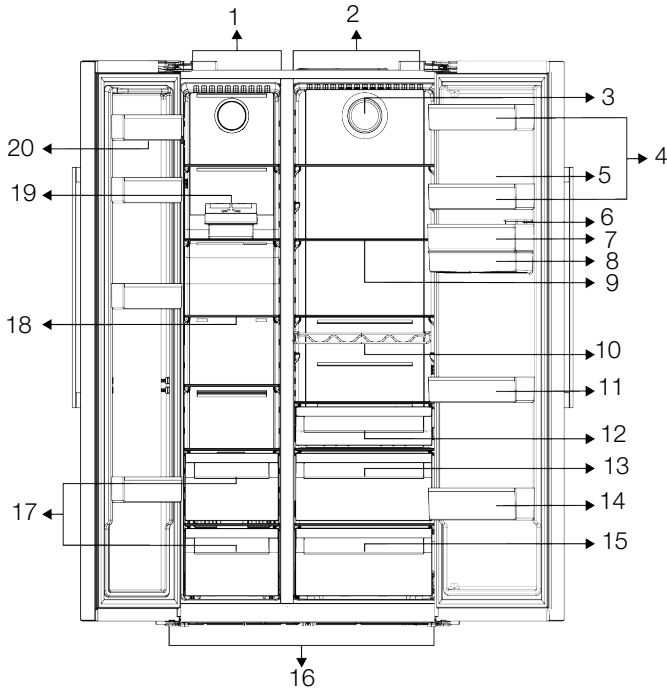


#### Informacionet për paketimin

Materialet e paketimit të produktit janë prodhuar nga materiale të riciklueshme në përputhje me Rregulloret tona kombëtare për mjedisin. Mos i hidhni materialet e paketimit bashkë me mbeturinat familjare ose mbeturinat e tjera. Çojini ato te pikat e grumbullimit për materialet e paketimit të përcaktuara nga autoritetet lokale.

### 3 Frigoriferi juaj

SQ



1 Ndarja e ngrirësit

3 Ventilatori

5 Mbjajtësja e vezëve

7 \*Raftet e derës së ndarjes së ftohësit

9 Raftet prej xhami të ndarjes së ftohësit

11 \*Raftet e derës së ndarjes së ftohësit

13 \*Ndarjet e perimeve

15 \*Ndarjet e perimeve

17 Ndarjet për ruajtjen e ushqimeve të ngrira

19 Prodhuesi i akullit

2 Ndarja e ftohësit

4 \*Raftet e derës së ndarjes së ftohësit

6 Depozita e mbushjes së shpërndarësit të ujit

8 Rezervuari i shpërndarësit të ujit

10 \*Rafti i shisheve

12 \*Koshi i bulmetit (ruajtja e ftohtë)

14 \*Rafti i shisheve

16 Këmbët e rregullueshme

18 Raftet e xhamit të ndarjes së ngrirësit

20 Raftet e derës së ndarjes së ngrirësit

**\*Opsional:** Figurat në këtë manual përdorimi janë skematike dhe mund të mos përputhen saktësisht me produktin tuaj.

Nëse produkti juaj nuk i përfshin pjesët përkatëse, informacionet kanë lidhje me modele të tjera.

## 4 Montimi

### Vendi i duhur për montimin



Në fillim lexoni pjesën "Udhëzimet për sigurinë"!

Produkti juaj kërkon një qarkullim të përshtatshëm të ajrit për të funksionuar me efikasitet. Nëse produkti do të vendoset në një vend të futur, mos harroni të lini të paktën 5 cm hapësirë mes produktit dhe tavanit, murit të pasmë dhe mureve anësore. Kontrolloni nëse elementi mbrojtës i pasmë për distancën me murin është i pranishëm në vendin përkatës (nëse është i përfshirë me produktin). Nëse elementi nuk është i disponueshëm ose nëse ka humbur apo ka rënë, vendoseni produktin në mënyrë që të lini të paktën 5 cm hapësirë mes sipërfaqes së pasme të produktit dhe murit të dhomës. Hapësira në pjesën e pasme është e rëndësishme për një funksionim efikas të produktit.

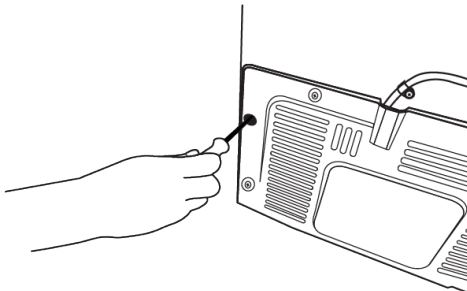


Mos përdorni zgjatues ose priza të shumëfishta në lidhjen elektrike.

### Montimi i kunjave plastike

Përdorni kunjat plastike të përfshira me produktin për të siguruar një hapësirë të mjaftueshme për qarkullimin e ajrit midis produktit dhe murit.

- Hiqni vidat në produkt dhe montoni vidat e përfshira me kunjat.



Prodhuesi nuk mban asnjë përgjegjësi për çdo dëmtim të kryer nga punët e kryera nga persona të paautorizuar.

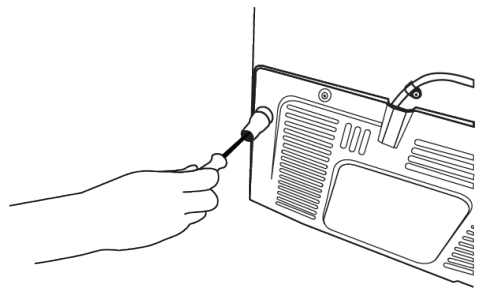


Kabloja elektrike e produktit duhet të hiqet nga priza gjatë montimit. Mosrespektimi i kësaj mund të shkaktojë vdekje ose lëndime të rënda!



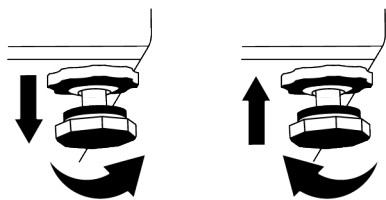
Nëse hapësira e derës është shumë e ngushtë për kalimin e produktit, hiqeni derën dhe kthejeni produktin në anë; nëse kjo nuk funksionon, kontaktoni me shërbimin e autorizuar.

- Vendoseni produktin në një sipërfaqe të rrafshët për të shmangur dridhjet.
- Vendoseni produktin të paktën 30 cm larg nga ngrohësi, soba ose burime të ngjashme të nxehtësisë dhe të paktën 5 cm larg nga furrat elektrike.
- Mos e ekspozoni produktin ndaj dritës së drejtpërdrejtë të diellit dhe mos e mbani në ambiente me lagështi.
- Vendosni 2 kunjat plastike në kapakun e ventilimit siç tregohet në figurë.



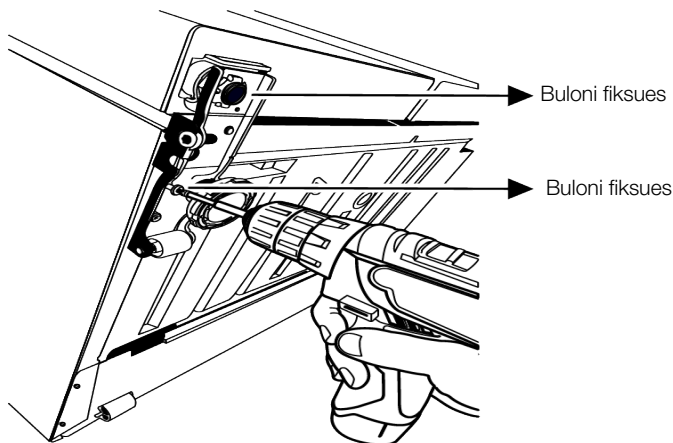
### Rregullimi i këmbëve

Nëse produkti nuk është në një pozicion të ekuilibruar, mund ta rregulloni ekuilibrin e produktit duke rrotulluar këmbët përpara djathtas ose majtas.



### Për t'i përshtatur dyert vertikalisht,

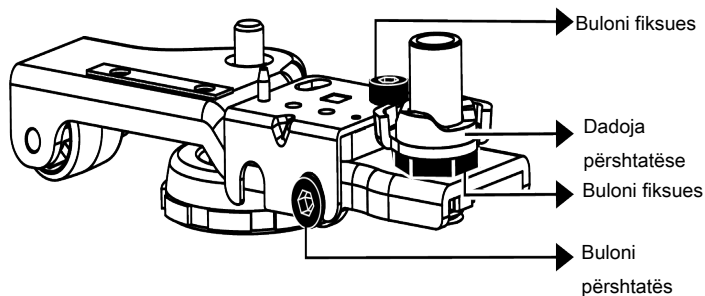
Lironi vidën fiksuese që ndodhet poshtë. Rrotulloni bulonin përshtatës drejt pozicionit (në drejtim orar/antiorar) të derës. Shtrëngoni bulonin fiksues për të fiksuar pozicionin.



### Për t'i përshtatur dyert horizontalisht,

Lironi vidën fiksuese që ndodhet poshtë. Lironi vidën fiksuese që ndodhet sipër. Rrotulloni bulonin përshtatës në anë drejt

pozicionit (në drejtim orar/antiorar) të derës. Për të fiksuar pozicionin, shtrëngoni bulonin fiksues sipër. Shtrëngoni bulonin fiksues që ndodhet poshtë.



## 4.1 Lidhja elektrike



**PARALAJMËRIM:** Mos përdorni zgjatues ose priza të shumëfishta në lidhjen elektrike.



**PARALAJMËRIM:** Kabloja e dëmtuar elektrike duhet të zëvendësohet nga Shërbimi i autorizuar.

- Kompania jonë nuk do të mbajë përgjegjësi për asnjë dëmtim të shkaktuar nga përdorimi pa lidhjen e tokëzimit dhe pa lidhjen elektrike në përputhje me rregulloret kombëtare.
- Spina e kordonit elektrik duhet të jetë lehtësisht e arritshme pas montimit.



Paralajmërim për sipërfaqe të nxehtë!

Faqet anësore të produktit tuaj janë të pajisura me tuba me lëng ftohës për përmirësimin e sistemit të ftohjes. Në këto sipërfaqe mund të qarkullojë lëng me presion të lartë që shkakton nxehtësi në faqet anësore. Kjo është normale dhe nuk kërkon t'i bëhet ndonjë shërbim. Kini kujdes kur prekni këto zona.

## 5 Përgatitja



Në fillim lexoni pjesën “Udhëzimet për sigurinë”!

### 5.1 Çfarë të bëni për kursimin e energjisë



Lidhja e produktit me sistemet elektronike të kursimit të energjisë është e dëmshme, pasi kjo mund të dëmtojë produktin.

- Kjo pajisje ftohëse nuk është projektuar që të përdoret si pajisje inkaso.
- Mos i mbani dyert e frigoriferit të hapura për periudha të gjata.
- Mos vendosni ushqime ose pije të nxehta në frigorifer.
- Mos e mbushni shumë frigoriferin; bllokimi i rrjedhës së brendshme të ajrit do të ulë kapacitetin e ftohjes.
- Duke qenë se ajri i nxehtë dhe i lagësht nuk depërton drejtpërdrejt në produktin tuaj kur dyert nuk hapen, produkti përshtatet sa më mirë për të arritur kushte të tilla që janë të mjaftueshme për të mbrojtur ushqimin. Në rrethana të tilla, funksionet dhe pjesët përbërëse si kompresori, ventilatori, ngrohësi, shkrirësi, ndriçimi, ekrani, etj. do të funksionojnë sipas nevojave duke konsumuar nivelin minimal të energjisë.
- Në rast se ka disa opsione, raftet prej xhami duhen vendosur në mënyrë që daljet e ajrit në murin e pasmë të mos bllokohen dhe, mundësisht, në një mënyrë që daljet e ajrit të mbeten nën

raftin prej xhami. Ky kombinim mund të ndihmojë në përmirësimin e shpërndarjes së ajrit dhe të efikasitetit të energjisë.

- Rekomandohet shumë përdorimi i sirtarit të mëposhtëm për ruajtjen e artikujve.
- Ushqimet duhet të ruhen me anë të sirtarëve në ndarjen e ftohësit për të siguruar kursimin e energjisë dhe për të mbrojtur ushqimet në kushte më të mira.

### 5.2 Përdorimi për herë të parë

Para se ta përdorni frigoriferin, sigurohuni që të bëni përgatitjet e duhura në përputhje me udhëzimet në pjesët “Udhëzimet për sigurinë dhe mjedisin” dhe “Montimi”.

- Mbajeni produktin në punë pa vendosur ushqime në të për 6 orë dhe mos e hapni derën, nëse nuk është absolutisht e nevojshme.
- Ndryshimi i temperaturës i shkaktuar nga hapja dhe mbyllja e derës gjatë përdorimit të produktit normalisht mund të sjellë kondensim në raftet e derës/trupit dhe tek enët prej qelqi të vendosura në produkt.



Kur të aktivizohet kompresori do të dëgjoni një zhurmë. Është normale që produkti të bëjë zhurmë edhe nëse kompresori nuk është në punë pasi lëngjet dhe gazi mund të ngjishen në sistemin e ftohjes.



Është normale që anët e përparme të frigoriferit të jenë të ngruhta. Këto zona janë të projektuara që të ngrohen për të parandaluar kondensimin.



Në disa modele, paneli i treguesve fiket automatikisht 1 minutë pas mbylljes së derës. Ai do të riaktivizohet kur të hapet dera ose kur të shtypet një buton.

### 5.3 Klasa e klimës dhe përkufizimet

Referojuni klasës së klimës në tabelën e vlerave nominale të pajisjes suaj. Një nga informacionet e mëposhtme zbatohet për pajisjen tuaj sipas klasës së klimës.

## 6 Vënia në punë e produktit



Në fillim lexoni pjesën "Udhëzimet për sigurinë"!

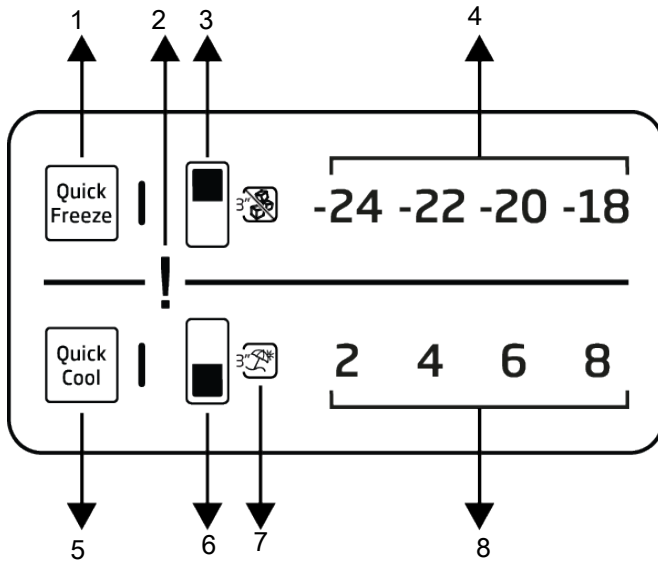
- Për të shpejtuar procesin e shkrirjes mos përdorni mjete mekanike ose mjete të tjera përveç atyre të rekomanduara nga prodhuesi.
- Mos përdorni pjesë të frigoriferit siç janë dera ose sirtarët si mbështetëse ose si shkallë. Kjo mund të bëjë që produkti të bjerë ose pjesët e tij të dëmtohen.
- Produkti duhet të përdoret vetëm për ruajtjen e ushqimeve.
- Mbylleni valvulën e ujit nëse do të jeni larg shtëpisë (p.sh. me pushime) dhe nuk do ta përdorni Icematic ose

- **SN:** Klimë mesatare afatgjatë: Kjo pajisje ftohëse është projektuar për përdorim në temperatura ambiente nga 10°C deri në 32°C.
- **N:** Klimë mesatare: Kjo pajisje ftohëse është projektuar për përdorim në temperatura ambiente nga 16°C deri në 32°C.
- **ST:** Klimë subtropikale: Kjo pajisje ftohëse është projektuar për përdorim në temperatura ambiente nga 16°C deri në 38°C.
- **T:** Klimë tropikale: Kjo pajisje ftohëse është projektuar për përdorim në temperatura ambiente nga 16°C deri në 43°C.

shpërndarësin e ujit për një periudhë të gjatë kohore. Në rast të kundërt mund të ketë rrjedhje uji.

### Heqja e produktit nga priza

- Nëse nuk do ta përdorni produktin për një kohë të gjatë, hiqeni produktin nga priza.
- Hiqni ushqimet për të shmangur erërat e këqija,
- Prisni që akulli të shkrijë, pastroni pjesën e brendshme dhe lëreni të thatet, lërin dyert të hapura për të shmangur dëmtimin e pjesëve të brendshme plastike të trupit të pajisjes.



- |  |  |
|--|--|
| 1 Butoni i ngrirjes së shpejtë                                 | 2 * Treguesi i statusit të gabimit                         |
| 3 Butoni i përcaktimit të temperaturës së ndarjes së ngrirësit | 4 Treguesi i temperaturës së ndarjes së ngrirësit          |
| 5 Butoni i ftohjes së shpejtë                                  | 6 Butoni i caktimit të temperaturës së ndarjes së ftohësit |
| 7 * Treguesi i funksionit të pushimeve                         | 8 Treguesi i temperaturës së dhomës së frigoriferit        |

**! Në fillim lexoni pjesën "Udhëzimet për sigurinë".**

\*Opsionale: Funkzionet e paraqitura janë opsionale, mund të ketë ndryshime në formë dhe vendndodhje për funksionet që gjenden në panelin tregues të pajisjes suaj. Funkzionet zanore dhe pamore të panelit të treguesve do t'ju ndihmojnë në përdorimin e frigoriferit tuaj.

### 1. Butoni i ngrirjes së shpejtë

Kur shtypet tasti i ngrirjes së shpejtë, do të aktivizohet funksioni i ngrirjes së shpejtë. Shtypni përsëri butonin për ta anuluar funksionin. Nëse nuk shtypet butoni për ta anuluar, funksioni i ngrirjes së shpejtë do të çaktivizohet automatikisht pas kohës së paracaktuar. Për të ngrirë një sasi të madhe ushqimesh të freskëta, shtypni butonin e ngrirjes së shpejtë para se të vendosni ushqimet në ndarjen e ngrirësit.

## 2. \* Treguesi i statusit të gabimit

Ky tregues aktivizohet kur frigoriferi juaj nuk ftohet në mënyrë adekuatë ose kur ndodh një mosfunksionim i sensorit.

## 3. Butoni i përcaktimit të temperaturës

së ndarjes së ngrirësit 

Ky funksion ju lejon të rregulloni temperaturën e ndarjes së ngrirësit. Shtypni këtë buton për të vendosur temperaturën e dhomës së ngrirësit përkatësisht në -18, -20, -22 dhe -24.

## 4. Treguesi i temperaturës së ndarjes së ngrirësit

Temperatura e caktuar e ndarjes së ngrirësit shfaqet si -18°C, -20°C, -22°C dhe -24°C.

## 5. Butoni i ftohjes së shpejtë

Kur shtypet tasti i ftohjes së shpejtë, do të aktivizohet funksioni i ftohjes së shpejtë. Shtypni përsëri butonin për ta anuluar funksionin. Nëse nuk shtypet butoni për ta anuluar, funksioni i ftohjes së shpejtë do të çaktivizohet automatikisht pas kohës së paracaktuar.

# 8 Përdorimi i Produktit

## 8.1 Ndërrimi i llambës së ndriçimit

Telefononi shërbimin e autorizuar kur do të ndërroni llambën/dritën LED që përdoret për ndriçimin në frigoriferin tuaj. Llamba(t) e përdorur në këtë pajisje nuk mund të përdoret për ndriçimin e shtëpisë. Qëllimi i përdorimit të kësaj llambe është të ndihmojë përdoruesin të vendosë ushqime në frigorifer / ngrirës në mënyrë të sigurt dhe me lehtësi.

## 8.2 Sinjalizimi për hapjen e derës

Sistemi i sinjalizimit për hapjen e derës në frigoriferin tuaj mund të ndryshojë në varësi të modelit.

### Versioni 1;

Nëse dera e produktit qëndron e hapur për një kohë të caktuar (nga 60 sek deri në 120 sek), do të dëgjohej një sinjal paralajmërues zanor; në varësi të modelit të

## 6. Butoni i caktimit të temperaturës së

ndarjes së ftohësit 

Ky funksion ju lejon të rregulloni temperaturën e ndarjes së ftohësit. Shtypni këtë buton për të vendosur temperaturën e ndarjes së ftohësit përkatësisht në -8, -6, -4 dhe -2.

## 7. \* Treguesi i funksionit të pushimeve



Për të aktivizuar funksionin e pushimeve, shtypni butonin për 3 sekonda. Modaliteti i pushimeve aktivizohet dhe gjatë kësaj kohe, ndarja e ftohjes nuk kryen ftohje në mënyrë aktive. Nuk duhet të mbani ushqime në ndarjen e ftohësit kur ky funksion është i aktivizuar. Ndarjet e tjera vazhdojnë të ftohën sipas temperaturave të caktuara më parë. Shtypni përsëri këtë buton për 3 sekonda për të anuluar këtë funksion.

## 8. Treguesi i temperaturës së dhomës së frigoriferit

Temperatura e caktuar e ndarjes së ftohësit shfaqet si 2°C, 4°C, 6°C dhe 8°C.

produktit, mund të shfaqet po ashtu një sinjal paralajmërues vizual (dritë e papritur). Nëse e mbyllni derën e pajisjes ose shtypni një buton në ekranin e pajisjes (një nga këto), tingulli paralajmërues do të ndalojë.

### Versioni 2;

Nëse dera e pajisjes qëndron e hapur për një periudhë të caktuar (nga 60 sek deri në 120 sek), do të dëgjoni sinjalizimin për hapjen e derës. Sinjalizimi për hapjen e derës bie gradualisht. Në fillim, fillon të dëgjohej një paralajmërim zanor. Pas 4 minutash, nëse dera nuk është mbyllur akoma, do të aktivizohet një paralajmërim vizual (dritë e papritur). Sinjalizimi për hapjen e derës do të vonohet për një periudhë të caktuar (nga 60 sek deri në 120 sek) kur të shtypet një buton i çfarëdoshëm në ekranin e produktit. Më pas procesi do



të fillojë përsëri. Kur dera e pajisjes të mbyllet, sinjalizimi për hapjen e derës do të anulohet.

## 9 Karakteristikat e produktit

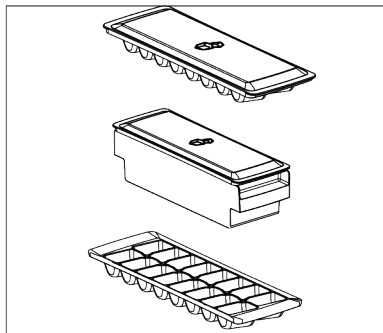
### 9.1 Zona e ruajtjes së akullit

#### Kontejneri i akullit

Kova e akullit ju lejon ta merrni kollaj akullin nga frigoriferi.

#### Përdorimi i kovës së akullit

1. Hiqni kovën e akullit nga ndarja e ngrirësit.
2. Mbusheni kovën e akullit me ujë.
3. Vendoseni kovën e akullit në ndarjen e ngrirësit. Akulli do të jetë gati pas afro dy orësh.
4. Merrni kovën e akullit nga ndarja e ngrirësit dhe përkuleni lehtë mbi enën ku do ta shërbeni. Akulli do të derdhet lehtë në enë.



### 9.2 Mbjajtësja e vezëve

Mund ta vendosni mbajtësen e vezëve në derë ose në raftin e trupit që dëshironi.

Nëse mbajtësja e vezëve do të vendoset në raftin e trupit, ju rekomandojmë të zgjidhni raftet më të ulëta dhe më të ftohta.



**Asnjëherë mos e vendosni mbajtësrn e vezëve në ndarjen e ngrirësit**

### 9.3 Koshi i perimeve

Koshi i perimeve i frigoriferit është projektuar për t'i mbajtur perimet të freskëta, duke ruajtur lagështinë e tyre. Për

këtë qëllim, qarkullimi i përgjithshëm i ajrit të ftohtë është më i lartë në koshin e perimeve. Mbajini frutat dhe perimet në këtë ndarje. Mbajini të ndara perimet jeshile dhe frutat për të zgjatur jetëgjatësinë e tyre.

### 9.4 Teknologjia e koshit të perimeve

#### Drita blu

Frutat dhe perimet e ruajtura në ndarëset e perimeve që ndriçohen me një dritë blu vazhdojnë fotosintezën nëpërmjet efektit të gjatësisë së valëve të dritës blu dhe ruajnë kështu përmbajtjen e vitaminave.

#### HarvestFresh

Frutat dhe perimet e ruajtura në ndarëset e perimeve që ndriçohen me teknologjinë HarvestFresh i ruajnë vitaminat për një kohë më të gjatë falë dritave blu, jeshile dhe të kuqe dhe cikleve të errësirës, të cilat simulojnë ciklin e një dite.

Kur dera e frigoriferit hapet gjatë periudhës së errësirës të teknologjisë HarvestFresh, frigoriferi do ta ndiejë këtë automatikisht dhe do ta ndriçojë koshin përkatësisht me një nga dritat blu, jeshile ose të kuqe për lehtësinë tuaj. Pasi ta keni mbyllur derën e frigoriferit, periudha e errësirës do të vazhdojë duke përfaqësuar kohën e natës në ciklin e një dite.

### 9.5 Zona e ruajtjes së ftohtë për produktet e bulmetit

#### Rafti i ruajtjes së ftohtë

Rafti i ruajtjes së ftohtë mund të arrijë temperatura më të ulëta në ndarjen më të ftohtë. Përdorni këtë raft për produkte delikate (sallam, suxhukë etj.) dhe produkte bulmeti që kërkojnë kushte më të ftohta për ruajtjen, ose për mishin, mishin e pulës ose peshkun që do të konsumohet shpejt. Nuk është e përshtatshme të ruani fruta dhe perime në këtë sirtar.

## 9.6 Koshi i perimeve me kontroll të lagështisë

### Everfresh

Me veçorinë e koshit të perimeve me kontroll të lagështisë, lagështia e perimeve dhe frutave mbahet nën kontroll dhe ushqimet mbahen të freskëta për një periudhë më të gjatë kohore.

Në ju rekomandojmë që t'i vendosni perimet me gjethe, si marule, spinaq dhe perime të ngjashme që janë të ndjeshme ndaj humbjes së lagështirës në koshin e perimeve, jo drejt mbi rrënjët e tyre, por sa më horizontalisht të jetë e mundur.

Kur vendosni perimet, vendosni perimet e forta dhe të rënda në fund dhe perimet e buta dhe të lehta sipër, duke pasur parasysh peshat specifike të perimeve. Kurrë mos i lini perimet në qese plastike brenda koshit të perimeve. Nëse i lini në qese plastike, kjo bën që perimet të kalben për një kohë të shkurtër.

Në rastet kur nuk preferoni kontaktin me perimet e tjera, përdorni materiale paketimi, si letër, e cila ka njëfarë niveli depërtueshmërie për sa i përket higjienës. Mos i vendosni frutat që prodhojnë shumë gaz etilen, si dardhat, kajsitë, pjeshkat dhe sidomos mollët, në të njëjtin kosh me perimet dhe frutat e tjera. Gazi i etilenit që del nga këto fruta mund të bëjë që perimet dhe frutat e tjera të piqen më shpejt dhe të kalben në një periudhë më të shkurtër.

## 10 Mirëmbajtja dhe pastrimi



### PARALAJMËRIM:

Në fillim lexoni pjesën "Udhëzimet për sigurinë".



### PARALAJMËRIM:

Hiqeni frigoriferin nga priza përpara se ta pastroni.

- Mos përdorni mjete të mprehta ose gërryese për pastrimin e produktit. Mos përdorni materiale si p.sh. substanca pastrimi shtëpiake, sapunë, detergjentë, gaz, benzinë, alkool, dyllë etj.
- Pluhuri duhet të hiqet nga skara e ventilimit në anën e pasme të produktit të paktën një herë në vit (pa hapur kapakun). Pastroni produktin me një leckë të thatë.
- Tregoni kujdes të mos lagni kapakun e llambës dhe pjesët e tjera elektrike.
- Pastrojini derën me një leckë të njomë. Hiqni të gjitha ushqimet për të hequr raftet e derës dhe raftet e brendshme. Hiqni raftet e derës duke i ngritur lart. Pastrojini dhe thajini raftet, më pas vendosini përsëri në vend duke i rrëshqitur nga sipër.
- Mos përdorni ujë me klor ose produkte pastrimi në sipërfaqen e jashtme dhe në pjesët e kromuara të produktit. Klorigo do të shkaktojë ndryshk në sipërfaqet metalike.
- Mos përdorni mjete të mprehta dhe gërryese, sapun, materiale pastrimi shtëpiake, detergjentë, gaz, benzinë, vernik dhe substanca të ngjashme, me qëllim që të parandaloni deformimin e pjesës plastike dhe heqjen e printimeve në atë pjesë. Përdorni ujë të vakët dhe një leckë të butë për pastrimin dhe më pas thajeni.
- Në produktet që nuk kanë veçorinë Pa brymë, në faqen e pasme të ndarjes së ngrirësit mund të formohen pikla uji ose akull me një trashësi deri një gisht. Mos pastroni dhe mos përdorni kurrë vajra ose materiale të ngjashme.
- Përdorni një leckë pak të lagur mikrofibre për të pastruar sipërfaqen e jashtme të produktit. Sfungjerët dhe materiale të tjera pastrimi mund të shkaktojnë gërvishetje.

- Për të pastruar të gjitha pjesët e çmontueshme gjatë pastrimit të sipërfaqes së brendshme të produktit, lajini këto pjesë me një solucion të butë, të përbërë nga sapun, ujë dhe sodë. Shpëlajini dhe thajini plotësisht. Shmangni kontaktin e ujit me pjesët e ndriçimit dhe me panelin e kontrollit.



#### KUJDES:

Mos përdorni uthull, alkool për fërkim ose agjentë të tjerë pastrimi me bazë alkooli në sipërfaqen e brendshme.

#### Sipërfaqet e jashtme inox

Përdorni një agjent pastrues jogërryes për inoksin dhe aplikojeni me një leckë të butë pa push. Për ta lustruar, fshijeni butësisht

sipërfaqen me një leckë mikrofibre të lagur me ujë dhe përdorni leckë të thatë kamoshi. Ndiqni gjithmonë venat e inoksit.

#### Parandalimi i aromave

Produkti është i prodhuar pa materiale me erëra të këqija. Sidoqoftë, mbajtja e ushqimeve në pjesë të papërshtatshme dhe pastrimi i papërshtatshëm i sipërfaqeve të brendshme mund të shkaktojë erëra të këqija.

- Për të shmangur këtë, pastrojeni pjesën e brendshme me ujë me sodë çdo 15 ditë.
- Mbani ushqimet në mbajtëse të mbyllura, pasi mikroorganizmat që dalin nga ushqimet e mbajtura në enë të pambyllura do të shkaktojnë erë të keqe.
- Mos i mbani ushqimet e skaduara ose të prishura në frigorifer.

#### Mbrojtja e sipërfaqeve plastike

Vaji i derdhur në sipërfaqet plastike mund të dëmtojë sipërfaqen dhe duhet të pastrohet menjëherë me ujë të ngrohtë.

## 11 Zgjidhja e problemeve

Kontrolloni këtë listë përpara se të kontaktoni me shërbimin. Kjo gjë do t'ju kursejë kohë dhe para. Kjo listë përfshin ankesat e shpeshta që nuk kanë të bëjnë me defekte në prodhim ose materiale. Disa veçori të përmendura këtu mund të mos jenë të vlefshme për produktin tuaj.

#### Frigoriferi nuk punon.

- Spina elektrike nuk është futur plotësisht. >>> Shtyjeni që të futet plotësisht në prizë.
- Siguresa e lidhur me prizën që furnizon produktin ose siguresa kryesore është e djegur. >>> Kontrolloni siguresën.

#### Kondensimi në murin anësor të ndarjes së ftohësit (ME DISA ZONA, KONTROLLI I FRESKISË dhe ZONA FLEKSIBËL).

- Dera hapet shumë shpesh. >>> Kini kujdes që të mos e hapni derën e produktit shumë shpesh.
- Ambienti është shumë i lagësht. >>> Mos e montoni produktin në mjedise me lagështi.

- Ushqimet që kanë lëngje mbahen në enë të paizoluara. >>> Ruani ushqimet me lëngje në enë të izoluara.
- Dera e produktit është lënë e hapur. >>> Mos e mbani derën e produktit të hapur për periudha të gjata.
- Termostati është vendosur në një temperaturë shumë të ftohtë. >>> Vendosni termostatin në një temperaturë të përshtatshme.

#### Kompresori nuk punon.

- Në rast të ndërprerjes së papritur të rrymës ose heqjes së spinës dhe futjes së saj përsëri, presioni i gazit në sistemin e ftohjes së produktit nuk është i balancuar, gjë që aktivizon mbrojtjen termike të kompresorit. Produkti do të rindizet pas rreth 6 minutash. Nëse produkti nuk rindizet pas kësaj periudhe, kontaktoni me shërbimin.
- Shkriirja është aktive. >>> Kjo është normale për një produkt me shkriirje plotësisht automatike. Shkriirja kryhet në mënyrë periodike.

- Produkti nuk është futur në prizë. >>> Sigurohuni që kordoni elektrik të jetë i lidhur.
- Cilësimi i temperaturës është i gabuar. >>> Zgjidhni cilësimin e duhur të temperaturës.
- Energjia është ndërprerë. >>> Produkti do të vazhdojë të funksionojë normalisht pasi të rikthehet energjia elektrike.

### **Zhurma e funksionimit të frigoriferit po rritet gjatë përdorimit.**

- Performanca e funksionimit të produktit mund të ndryshojë në varësi të ndryshimeve të temperaturës së ambientit. Kjo është normale dhe nuk është një defekt.

### **Frigoriferi punon shumë shpesh ose për shumë kohë.**

- Produkti i ri mund të jetë më i madh se ai i mëparshmi. Produktet më të mëdha do të punojnë për periudha më të gjata.
- Temperatura e dhomës mund të jetë e lartë. >>> Produkti do të funksionojë normalisht për periudha të gjata në një temperaturë më të lartë të dhomës.
- Produkti mund të jetë vënë së fundi në prizë ose një ushqim i ri është vendosur brenda në të. >>> Produktit do t'i duhet më shumë kohë për të arritur temperaturën e caktuar kur është futur së fundi në prizë ose kur vendoset brenda një artikulli të ri ushqimor. Kjo është normale.
- Sasi të mëdha ushqimi të nxehtë mund të jenë vendosur së fundi në produkt. >>> Mos vendosni ushqime të nxehta në produkt.
- Dyert janë hapur shpesh ose janë mbajtur të hapura për periudha të gjata. >>> Ajri i ngrohtë që lëviz brenda do të bëjë që produkti të punojë për një kohë më të gjatë. Mos i hapni dyert shumë shpesh.
- Dera e ngrirësit ose e ftohësit mund të jetë e hapur. >>> Kontrolloni që dyert të jenë plotësisht të mbyllura.

- Produkti mund të vendoset në një temperaturë shumë të ulët. >>> Vendoseni temperaturën në një nivel më të lartë dhe prisni që produkti të arrijë temperaturën e rregulluar.
- Larësja e derës së ftohësit ose ngrirësit mund të jetë e ndotur, e konsumuar, e thyer ose nuk është vendosur siç duhet. >>> Pastroni ose zëvendësoni gominën. Larësja e dëmtuar/shqyer e derës do të bëjë që produkti të funksionojë për periudha më të gjata për të ruajtur temperaturën aktuale.

### **Temperatura e ngrirësit është shumë e ulët, por temperatura e ftohësit është e përshtatshme.**

- Temperatura e ndarjes së ngrirësit është vendosur në një nivel shumë të ulët. >>> Vendosni temperaturën e ndarjes së ngrirësit në një nivel më të lartë dhe kontrolloni përsëri.

### **Temperatura e ftohësit është shumë e ulët, por temperatura e ngrirësit është e përshtatshme.**

- Temperatura e ndarjes së ftohësit është vendosur në një nivel shumë të ulët. >>> Vendosni temperaturën e ndarjes së ftohësit në një nivel më të lartë dhe kontrolloni përsëri.

### **Artikujt ushqimorë të mbajtur në sirtarët e ndarjeve të ftohësit janë të ngrira.**

- Temperatura e ndarjes së ftohësit është vendosur në një nivel shumë të ulët. >>> Vendosni temperaturën e ndarjes së ftohësit në një nivel më të lartë dhe kontrolloni përsëri.

### **Temperatura në ftohës ose ngrirës është shumë e lartë.**

- Temperatura e ndarjes së ftohësit është vendosur në një nivel shumë të lartë. >>> Cilësimi i temperaturës së ndarjes së ftohësit ndikon në temperaturën në ndarjes së ngrirësit. Prisni derisa temperatura e pjesëve përkatëse të arrijë nivelin e mjaftueshëm duke ndryshuar temperaturën e ndarjeve të ftohësit ose ngrirësit.

- Dyert janë hapur shpesh ose janë mbajtur të hapura për periudha të gjata. >>> Mos i hapni dyert shumë shpesh.
- Dera mund të jetë e hapur. >>> Mbyllni plotësisht derën.
- Produkti mund të jetë vënë së fundi në prizë ose një ushqim i ri është vendosur brenda në të. >>> Kjo është normale. Produktit do t'i duhet më shumë kohë për të arritur temperaturën e caktuar kur është futur së fundi në prizë ose kur vendoset brenda një artikulli të ri ushqimor.
- Sasi të mëdha ushqimi të nxehtë mund të jenë vendosur së fundi në produkt. >>> Mos vendosni ushqime të nxehta në produkt.

### **Dridhje ose zhurmë.**

- Sipërfaqja nuk është e sheshtë ose e qëndrueshme >>> Nëse produkti dridhet kur lëvizet ngadalë, rregulloni mbështetësen për të ekuilibruar produktin. Gjithashtu sigurohuni që dyshemeja të jetë mjaft e qëndrueshme për të mbajtur produktin.
- Çdo artikull i vendosur brenda në produkt mund të shkaktojë zhurmë. >>> Hiqni çdo artikull të vendosur në produkt.
- Produkti bën zhurmë si rrjedhje lëngjesh, spërkatje etj.
- Parimet e funksionimit të produktit përfshijnë qarkullimin e lëngjeve dhe gazit. >>> Kjo është normale dhe nuk është një defekt.

### **Nga produkti dëgjohet zhurma e erës që fryn.**

- Produkti përdor një ventilator për procesin e ftohjes. Kjo është normale dhe nuk është një defekt.

### **Ka kondensim në muret e brendshme të produktit.**

- Moti i nxehtë ose i lagësht do të rrisë formimin e akullit dhe kondensimin. Kjo është normale dhe nuk është një defekt.
- Dyert janë hapur shpesh ose janë mbajtur të hapura për periudha të gjata. >>> Mos i hapni dyert shumë shpesh; nëse është e hapur, mbylleni derën.

- Dera mund të jetë e hapur. >>> Mbyllni plotësisht derën.

### **Ka kondensim në pjesën e jashtme të produktit ose midis dyerve.**

- Klima e ambientit mund të jetë me lagështi, kjo është shumë normale në klimë me lagështi. >>> Kondensimi do të shpërndahet kur të ulet lagështia.

### **Pjesa e brendshme mban erë të keqe.**

- Produkti nuk pastrohet rregullisht. >>> Pastroni rregullisht pjesën e brendshme duke përdorur një sfunger, ujë të ngrohtë dhe ujë të gazuar.
- Disa mbajtëse dhe materiale paketimi mund të shkaktojnë erë. >>> Përdorni mbajtëse dhe materiale paketimi pa erë.
- Ushqimet janë vendosur në enë të paizoluara. >>> Mbajini ushqimet në mbajtëse të izoluara. Mikroorganizmat mund të përhapen nga ushqimet e paizoluara dhe të shkaktojnë erëra të këqija.
- Hiqni çdo ushqim të skaduar ose të prishur nga produkti.

### **Dera nuk mbyllet.**

- Paketimet e ushqimeve mund të bllokojnë derën. >>> Zhvendosni çdo artikull që bllokoi dyert.
- Produkti nuk qëndron në pozicionin plotësisht vertikal mbi dysheme. >>> Rregulloni mbështetësen për të balancuar produktin.
- Sipërfaqja nuk është e sheshtë ose e qëndrueshme >>> Sigurohuni që sipërfaqja të jetë e sheshtë dhe mjaft e qëndrueshme për të mbajtur produktin.

### **Ndarësja e perimeve është bllokuar.**

- Artikujt ushqimorë mund të jenë në kontakt me pjesën e sipërme të sirtarit. >>> Riorganizoni artikujt ushqimorë në sirtar.

### **Temperatura në sipërfaqen e produktit.**

- Temperatura e lartë mund të vërehet midis dy dyerve, në panelet anësore dhe në zonën e pasme të grilës gjatë përdorimit të produktit tuaj. Kjo është normale dhe nuk kërkon t'i bëhet ndonjë shërbim.

**Ventilatori vazhdon të funksionojë kur hapet dera.**

- Ventilatori mund të vazhdojë të funksionojë kur dera e ngrirësit është e hapur.



**PARALAJMËRIM:** Nëse problemi vazhdon pas ndjekjes së udhëzimeve në këtë pjesë, kontaktoni me shitësin ose shërbimin e autorizuar. Mos u përpiqni ta riparoni produktin. Kjo është normale.



# Prvo pročitajte ovaj priručnik!

## Poštovani korisnici


### Prije uporabe proizvoda, pročitajte ovaj priručnik.


Hvala na odabiru ovog Beko proizvoda. Želimo da postignete optimalnu efikasnost ovog visokokvalitetnog proizvoda koji je proizveden uz primjenu vrhunske tehnologije. Da biste to postigli, pažljivo pročitajte ovaj priručnik i svu drugu dokumentaciju koja je data prije uporabe proizvoda i sačuvajte istu za naknadnu referencu.

Sljedite sva upozorenja i informacije iz korisničkog priručnika. Na taj ćete način zaštititi sebe i svoj proizvod od opasnosti koje se mogu pojaviti.


Sačuvajte uputstvo za upotrebu. Ne odvajajte ovaj priručnik od jedinice ako želite da je predate nekom drugom licu.

### Sljedeći simboli se koriste u korisničkim priručniku:





	Opasnost koja može za rezultat imati smrt ili ozljedu.
--	--

	Važne informacije ili korisni savjeti o radu.
--	---

	Pročitajte korisnički priručnik.
--	----------------------------------

	Zapaljivi materijal, upozorenje na opasnost od požara.
--	--

**OBAVIJEST** Opasnost koja može prouzrokovati materijalnu štetu na proizvodu ili okolini

		Podaci o modelu pohranjeni u bazi podataka o proizvodu mogu se dobiti unosom sledeće mrežne stranice i pretragom po identifikacionom broju vašeg modela (*) koji se nalazi na oznaci potrošnje električne energije. <a href="https://eprel.ec.europa.eu/">https://eprel.ec.europa.eu/</a>
SUPPLIER'S NAME	MODEL IDENTIFIER → (*)	
		



<b>1</b>	<b>Sigurnosna uputstva.....</b>	<b>58</b>
1.1	Namjera upotrebe.....	58
1.2	Sigurnost djece, ugroženih osoba i kućnih ljubimaca.....	58
1.3	Električna sigurnost.....	59
1.4	Sigurnost rukovanja .....	60
1.5	Sigurnost instalacije.....	60
1.6	Radna sigurnost .....	62
1.7	Sigurnost skladištenja hrane .....	64
1.8	Sigurnost održavanja i čišćenja....	65
1.9	Odlaganje starog proizvoda.....	66
<b>2</b>	<b>Ekološka uputstva .....</b>	<b>66</b>
2.1	Usklađenost s direktivom WEEE i odlaganje otpadnog proizvoda.....	66
<b>3</b>	<b>Vaš hladnjak .....</b>	<b>68</b>
<b>4</b>	<b>Instalacija .....</b>	<b>69</b>
4.1	Priključak na napajanje električnom energijom .....	70
<b>5</b>	<b>Priprema .....</b>	<b>71</b>
5.1	Što učiniti za uštedu energije .....	71
5.2	Prvo korištenje.....	71
5.3	Klimatska klasa i definicije .....	72
<b>6</b>	<b>Rukovanje proizvodom .....</b>	<b>72</b>
<b>7</b>	<b>Kontrolna ploča proizvoda.....</b>	<b>73</b>
<b>8</b>	<b>Korištenje proizvoda .....</b>	<b>74</b>
8.1	Zamjena lampe za osvjetljenje .....	74
8.2	Door Open Alert .....	74
<b>9</b>	<b>Karakteristike proizvoda.....</b>	<b>74</b>
9.1	Prostor za skladištenje leda .....	74
9.2	Držać jaja .....	75
9.3	Odjeljak za voće i povrće .....	75
9.4	Crisper tehnologije .....	75
9.5	Prostor za hlađenje mliječnih proizvoda .....	75
9.6	Odjeljak za voće i povrće sa kontrolom vlage.....	75
<b>10</b>	<b>Održavanje i čišćenje .....</b>	<b>76</b>
<b>11</b>	<b>Rješavanje problema.....</b>	<b>77</b>

## 1 Sigurnosna uputstva

- Ovo poglavlje sadrži sigurnosne upute potrebne da bi spriječili rizik od fizičke ozljede i materijalne štete.
- Naša kompanija ne snosi odgovornost za štetu koja može nastati ako se ove upute ne poštuju.



Radove montaže i popravke uvijek neka obavlja proizvođač, ovlašteni servis ili osoba koju će opisati kompanija uvoznika.



Koristite samo originalne rezervne dijelove i pribor.



Nemojte popravljati ili mijenjati bilo koju komponentu proizvoda osim ako nije jasno navedeno u korisničkom priručniku.



Ne vršite nikakve tehničke modifikacije na proizvodu.

### 1.1 Namjera upotrebe

- Ovaj proizvod nije prikladan za komercijalnu upotrebu i ne bi se trebao koristiti u druge svrhe osim za namjeravanu upotrebu.
- Ovaj je proizvod namijenjen za rad u zatvorenom prostoru, kao što su domaćinstva ili slično.

Na primjer;

U kuhinjama za osoblje  
prodavnica, kancelarija i drugih  
radnih okruženja,

U seoskim kućama,

U jedinicama hotela, motela ili  
drugih odmarališta koje kupci  
koriste,

U hostelima ili sličnim  
okruženjima,

Za dostavu pripremljene hrane i  
slične primjene koje ne spadaju  
u maloprodaju.

- Ovaj se proizvod ne smije koristiti u otvorenim ili zatvorenim vanjskim okruženjima kao što su plovila, kamping kućice, balkoni ili terase. Izlaganje proizvoda kiši, snijegu, suncu i vjetru će izazvati rizik od požara.



### 1.2 Sigurnost djece, ugroženih osoba i kućnih ljubimaca

- Ovaj proizvod mogu koristiti djeca od 8 godina i starija i osobe sa nedovoljno razvijenim fizičkim, senzornim ili mentalnim sposobnostima ili nedostatkom iskustva i znanja ako su pod nadzorom ili su im date upute o bezbednoj upotrebi uređaja i opasnostima.

- Djeca između 3 i 8 godina smiju stavljati u i vaditi hranu iz hladnijeg proizvoda.
- Električni proizvodi su opasni za djecu i kućne ljubimce. Djeca i kućni ljubimci ne smiju se igrati, penjati se ili ulaziti u proizvod.
- Djeca nikada ne smiju da čiste i održavaju uređaj, sem ako se nalaze pod nadzorom odrasle osobe.
- Materije za pakiranje držite dalje od djece. Opasnost od ozljede i gušenja.

Prije odlaganja starih proizvoda koji se više ne smiju koristiti:

1. Isključite mrežni kabel iz utičnice.
  2. Odrežite kabel za napajanje i izvadite ga iz uređaja zajedno sa utikačem.
  3. Ne uklanjajte stalke i ladice iz proizvoda kako biste spriječili da djeca uđu u uređaj.
  4. Uklonite vrata.
  5. Pohranite proizvod tako da ne može da se prevrne.
  6. Ne dopuštajte djeci da se igraju sa starim proizvodom.
- Ne odlažite proizvod tako što ćete ga spaljivati. Opasnost od eksplozije.
  - Ako na vratima proizvoda postoji brava, ključ čuvajte van domašaja djece.



### 1.3 Električna sigurnost

- Proizvod ne smije biti uključen u utičnicu tokom ugradnje, održavanja, čišćenja, popravka i prijevoza.
- Ako je kabel za napajanje oštećen, zamijenit će ga samo ovlašteni servis kako bi se izbjegao bilo kakav rizik koji se može pojaviti.
- Ne stavljajte kabl za napajanje ispod proizvoda ili na stražnju stranu proizvoda. Ne stavljajte teške predmete na kabel za napajanje. Kabel za napajanje ne treba da se savija, prelama i ne smije da dođe u kontakt sa bilo kojim izvorom toplote.
- Za upravljanje proizvodom ne koristite produžni kabel, višestruku priključnicu ili adapter.
- Prijenosne višestruke utičnice ili prijenosni izvori napajanja mogu se pregrijati i uzrokovati požar. Stoga nemojte imati prijenosne izvore napajanja s više utikača iza ili blizu proizvoda.
- Ne uključujte kabl za napajanje proizvoda u labavu ili oštećenu utičnicu. Ove vrste priključaka mogu se pregrijati i izazvati požar.

- Utikač mora biti lako dostupan. Ako to nije moguće, na električnoj instalaciji bit će dostupan mehanizam koji ispunjava zakone o električnoj energiji i koji isključuje sve priključke iz mreže (osigurač, prekidač, glavni prekidač itd.).
- Ne dodirujte utikač mokrim rukama.
- Prilikom isključivanja uređaja, ne držite kabel za napajanje, već utikač.

#### 1.4 Sigurnost rukovanja

- Obavezno isključite uređaj iz struje prije nošenja proizvoda.
- Ovaj je proizvod težak, nemojte sami sa njim postupati. Može doći do povreda ako proizvod padne na vas. Nemojte udarati o mjesta i ne ispuštati proizvod dok ga transportujete.
- Uvijek zatvorite vrata i ne držite proizvod za vrata dok ga transportujete.
- Pazite da pri rukovanju proizvodom ne oštetite rashladni sistem i cijevi. Ne koristite proizvod ako su cijevi oštećene i obratite se ovlaštenom servisu.

#### 1.5 Sigurnost instalacije

- Za ugradnju proizvoda kontaktirajte ovlašteni servis. Da biste proizvod pripremili za upotrebu, pogledajte informacije u korisničkom priručniku i pobrinite se da su snabdijevanje struje i vode u skladu sa zahtjevima. Ako ne, nazovite kvalifikovanog električara i vodoinstalatera da po potrebi uredi komunalne usluge. Ako to ne učinite, može doći do strujnog udara, požara, problema s proizvodom ili ozljede.
- Ovaj proizvod je dizajniran za upotrebu na maksimalnoj nadmorskoj visini od 2000 metara nadmorske visine.
- Prije instaliranja provjerite ima li oštećenja na proizvodu. Nemojte instalirati proizvod ako je oštećen.
- Uvijek koristite ličnu zaštitnu opremu (rukavice, itd.) tokom instalacije, održavanja i popravke proizvoda. Rizik od povreda!
- Stavite proizvod na čistu, ravnu i tvrdu površinu i iznivelišite ga pomoću podesivog postolja (okretanjem prednjih nožica udesno ili ulijevo). U

suprotnom, hladnjak se može prevrnuti i prouzrokovati ozljede.

- Proizvod mora biti instaliran u suhom i ventiliranom okruženju. Ne držite tepihe, prostirače ili slične pokrivače ispod proizvoda. To može uzrokovati opasnost od požara zbog neadekvatne ventilacije!
- Ne blokirajte i ne prekrivajte ventilacijske otvore. U suprotnom, potrošnja energije se povećava i vaš proizvod se može oštetiti.
- Prilikom postavljanja proizvoda uvjerite se da kabl napajanja nije oštećen ili priklješten.
- Proizvod ne smije biti povezan na sisteme napajanja kao što je solarno napajanje. U suprotnom, vaš proizvod može biti oštećen zbog naglih promjena napona!
- Što više rashladnog sredstva sadrži hladnjak, veća će mu biti i prostorija za ugradnju. U vrlo malim prostorijama može doći do zapaljive smjese plina i zraka u slučaju curenja plina u rashladnom sustavu. Za svakih 8 grama rashladnog sredstva potrebno je najmanje 1 m<sup>3</sup> zapremine. Količina rashladnog sredstva dostupnog u vašem proizvodu navedena je u tipskoj naljepnici.
- Mjesto ugradnje proizvoda ne smije biti izloženo direktnoj sunčevoj svjetlosti i ne smije biti u blizini izvora toplote kao što su peći, radijatori itd. Ako ne možete spriječiti instalaciju proizvoda u blizini izvora toplote, koristite odgovarajuću izolacionu ploču i uvjerite se da je minimalno rastojanje do izvora toplote kako je navedeno u nastavku:
  - Najmanje 30 cm udaljen od izvora topline kao što su peći, grijalice i grijači itd.,
  - I udaljen najmanje 5 cm od električnih peći.
- Vaš proizvod ima klasu zaštite I.
- Uključite proizvod u uzemljenu utičnicu koja je u skladu s vrijednostima napona, struje i frekvencije navedenim na tipskoj naljepnici. Utičnica mora imati osigurač 10 A – 16 A. Naša firma ne preuzima odgovornost za bilo kakvu štetu nastalu upotrebom bez uzemljenja i priključka napajanja u skladu s lokalnim i državnim propisima.
- Kabel za napajanje proizvoda mora biti isključen iz struje tijekom instalacije. U

suprotnom može doći do opasnosti od električnog udara i ozljeda!

- Ne uključujte kabl za napajanje proizvoda u labave, iščašene, polomljene, prljave, zauhljene utičnice za napajanje koje predstavljaju opasnost od kontakta s vodom. Ove vrste priključaka mogu uzrokovati pregrijavanje i požar.
- Postavite kabl za napajanje i kabele (ako postoje) proizvoda tako da ne uzrokuju opasnost od saplitanja.
- Prodiranje vlage i tekućine u dijelove pod naponom ili na kabl za napajanje može prouzrokovati kratki spoj. Stoga, nemojte koristiti proizvod u vlažnim okruženjima ili na mjestima gdje prskati voda (npr. garaža, praonica rublja itd.) Ako je hladnjak vlažan od vode, isključite ga sa napajanja i obratite se ovlaštenom servisu.
- Ne priključujte svoj hladnjak na uređaje za uštedu energije. Ovi sustavi su štetni za proizvod.
- Postoji opasnost od kontakta s električnim dijelovima prilikom skidanja poklopca elektronske ploče i stražnjeg poklopca kompresora (ako postoji). Nemojte skidati poklopac

elektronske ploče i stražnji poklopac kompresora (ako postoji). Postoji opasnost od strujnog udara!



## 1.6 Radna sigurnost

- Na proizvodu nemojte koristiti kemijska otapala. Ovi materijali sadrže opasnost od eksplozije.
- U slučaju kvara proizvoda, isključite ga sa napajanja i nemojte ga stavljati u režim rada dok ga ovlaštenu servis ne popravi. Postoji opasnost od električnog udara!
- Ne stavljajte izvor plamena (npr. svijeće, cigarete, itd.) na proizvod ili u njegovu blizinu.
- Ne penjite se na proizvod. Rizik od pada i povreda!
- Nemojte oštetiti cijevi rashladnog sustava koristeći oštre i probojne alate. Rashladno sredstvo koje se prska u slučaju probijanja gasovoda, produžetaka cijevi ili prevlaka gornje površine može prouzrokovati iritaciju kože i povrede očiju.
- Ne stavljajte i ne upotrebljavajte električne uređaje unutar hladnjaka/zamrzivača, osim ako to ne preporuči proizvođač.

- Nemojte gurati bilo koji dio ruke ili tijela u bilo koji od pokretnih dijelova unutar proizvoda. Vodite računa da spriječite zaglavljivanje prstiju između hladnjaka i njegovih vrata. Budite oprezni dok otvarate ili zatvarate vrata ako u blizini ima djece.
- Ne stavljajte sladoled, kockice leda ili smrznutu hranu u usta čim ih izvadite iz zamrzivača. Rizik od promrzlina!
- Ne dirajte unutrašnje zidove, metalne dijelove zamrzivača ili hranu čuvanu u hladnjaku mokrim rukama. Rizik od promrzlina!
- Ne stavljajte limenke sa sodom ili limenke i boce u kojima se nalazi tekućina koja može biti smrznuta u odjeljak za zamrzavanje. Limenke ili boce mogu eksplodirati. Opasnost od ozljede i materijalne štete!
- Ne koristite i ne stavljajte materijale osjetljive na temperaturu kao što su zapaljivi sprejevi, zapaljivi predmeti, suvi led ili druga hemijska sredstva u blizini hladnjaka. Opasnost od požara i eksplozije!
- Ne skladištite eksplozivne materije poput aerosola u zapaljivim materijalima.
- Nemojte stavljati limenke koje sadrže tečnost preko proizvoda u otvorenom stanju. Prskanje vode na električni dio može uzrokovati strujni udar ili požar.
- Ovaj proizvod nije namijenjen skladištenju i hlađenju lijekova, krvne plazme, laboratorijskih preparata ili sličnih materijala i proizvoda koji podliježu Direktivi o medicinskim proizvodima.
- Ako se proizvod koristi suprotno predviđenoj namjeni, može prouzrokovati oštećenje ili pogoršanje proizvoda koji se drže u unutrašnjosti.
- Ako je vaš hladnjak opremljen plavom svjetlošću, nemojte gledati ovo svjetlo optičkim uređajima. Ne zurite direktno u UV LED svjetlo tokom dugog vremenskog perioda.. Ultraljubičaste zrake mogu uzrokovati naprezanje očiju.
- Ne puniti proizvod količinom hrane koja nadmašuje njegov kapacitet. Do povreda ili oštećenja može doći ako sadržaj iz hladnjaka padne prilikom otvaranja vrata. Slični problemi mogu se pojaviti i kada se predmet stavi preko proizvoda.

- Osigurajte da ste uklonili sav led ili vodu koja je možda pala na pod kako biste spriječili ozljede.
  - Promijenite mjesto za stalke/ stalke za boce na vratima vašeg hladnjaka samo kada su stalci prazni. Opasnost od povreda!
  - Ne stavljajte predmete koji mogu pasti/prevrnuti se na proizvod. Ti predmeti mogu pasti tijekom otvaranja ili zatvaranja vrata i uzrokovati ozljede i/ili materijalne štete.
  - Ne udarajte i ne vršite preveliki pritisak na staklene površine. Slomljeno staklo može prouzrokovati ozljede i/ili materijalne štete.
  - Sustav za hlađenje u vašem proizvodu sadrži rashladno sredstvo R600a. Vrsta rashladnog sredstva koja se koristi u proizvodu navedena je na naljepnici tipa. Ovaj plin je zapaljiv. Stoga, pazite da pri radu proizvoda ne oštetite rashladni sistem i cijevi. U slučaju oštećenja cijevi;
    1. Ne dirajte proizvod niti kabel za napajanje.
    2. Držite proizvod dalje od potencijalnih izvora vatre koji mogu prouzrokovati da se proizvod zapali.
  - 3. Prozračite područje na kojem se proizvod nalazi. Ne koristite ventilator.
  - 4. Obratite se ovlaštenom servisu.
- Ako je proizvod oštećen i primijetite curenje plina, držite se podalje od plina. Plin može uzrokovati promrzline ako dođe u kontakt s vašom kožom. Prije odlaganja starih proizvoda koji se više ne smiju koristiti:
1. Isključite mrežni kabel iz utičnice.
  2. Odrežite kabel za napajanje i izvadite ga iz uređaja zajedno sa utikačem.
  3. Ne uklanjajte stalke i ladice iz proizvoda kako biste spriječili da djeca uđu u uređaj.
  4. Uklonite vrata.
  5. Pohranite proizvod tako da ne može da se prevrne.
  6. Ne dopuštajte djeci da se igraju sa starim proizvodom.
- Ne odlažite proizvod tako što ćete ga spaljivati. Opasnost od eksplozije.
  - Ako na vratima proizvoda postoji brava, ključ čuvajte van domašaja djece.



### **1.7 Sigurnost skladištenja hrane**

Obratite pažnju na sljedeća upozorenja kako biste izbjegli kvarenje hrane:



- Ostavljanje vrata otvorena duže vrijeme može uzrokovati porast temperature unutar proizvoda.
- Redovno čistite dostupne drenažne sisteme u kontaktu s hranom.
- Očistite rezervoare za vodu koji nisu korišteni 48 sati i sisteme za vodu koji se napajaju iz mreže koji nisu korišteni duže od 5 dana.
- Sirovo meso i riblje proizvode čuvajte u odgovarajućim pregradama unutar proizvoda. Dakle, ne kaplje na drugu hranu i ne dolazi u kontakt s njom.
- Pretinci zamrzivača s dvije zvjezdice koriste se za čuvanje napunjenih namirnica, pravljenje i čuvanje sladoleda i sladoleda.
- Odjeljci s jednom, dvije i tri zvjezdice nisu prikladni za zamrzavanje svježih hrane.
- Ako je proizvod za hlađenje ostavljen prazan duže vrijeme, isključite proizvod, odmrznite, očistite i osušite proizvod kako biste zaštitili kućište proizvoda.



## 1.8 Sigurnost održavanja i čišćenja

- Isključite frižider iz struje prije čišćenja ili početka održavanja.
- Ne povlačite za ručku na vratima ako proizvod pomičete radi čišćenja. Ručka može uzrokovati ozljede ako se povuče previše jako.
- Ne stavljajte ruke itd. ispod frižidera. Može doći do zaglavljivanja ili bilo koja oštra ivica može uzrokovati ozljede.
- Ne čistite proizvod raspršivanjem ili nalivanjem vode na proizvod i unutar proizvoda. Opasnost od strujnog udara i požara.
- Prilikom čišćenja proizvoda nemojte koristiti oštre i abrazivne alate ili sredstva za čišćenje u domaćinstvu, deterđent, plin, benzin, razrjeđivač, alkohol, lakove i slične tvari. Unutar proizvoda koristite isključivo sredstva za čišćenje i održavanje koja nisu štetna za hranu.
- Nemojte koristiti paru ili sredstva za čišćenje parom za čišćenje proizvoda i topljenje leda u njemu. Para dolazi u kontakt sa dostupnim područjima u vašem hladnjaku i izaziva kratki spoj ili strujni udar!

- Ne koristite mehanički alat ili bilo koji drugi alat osim onih preporučenih od strane proizvođača s ciljem ubrzavanja postupka odmrzavanja.
- Vodite računa da voda bude udaljena od ventilacionih otvoram, električnih kola ili osvjetljenja proizvoda.
- Upotrijebite čistu suhu krpu za brisanje prašine ili stranih materijala za vrhove utikača. Za čišćenje utikača nemojte koristiti mokri ili vlažni komad tkanine. U suprotnom može doći do opasnosti od požara ili strujnog udara.

## 1.9 Odlaganje starog proizvoda

Prilikom odlaganja starog proizvoda slijedite upute u nastavku:

- Kako biste spriječili da se djeca slučajno zaključaju u proizvod, isključite ga ako postoji brava na vratima.
- Prskanje rashladne tečnosti je štetno za oči. Nemojte oštetiti nijedan dio rashladnog sistema dok odlažete proizvod.
- Može biti smrtonosno ako se ulje kompresora proguta ili ako proдре u respiratorni trakt.
- Rashladni sistem vašeg proizvoda uključuje plin R600a kako je navedeno na tipskoj etiketi. Ovaj plin je zapaljiv. Ne odlažite proizvod tako što ćete ga spaljivati. Opasnost od eksplozije!

## 2 Ekološka uputstva

### 2.1 Usklađenost s direktivom WEEE i odlaganje otpadnog proizvoda



Ovaj proizvod je usklađen s Direktivom EU WEEE (2012/19/EU). Ovaj proizvod nosi simbol klasifikacije za odlaganje električne i elektronske opreme (WEEE).

Ovaj simbol označava da ovaj proizvod ne treba odlagati sa ostalim otpadom iz domaćinstva na kraju vijeka upotrebe. Korišćeni uređaj mora se vratiti u službeno zbirno mjesto za recikliranje električnih i

elektronskih uređaja. Da biste pronašli ove sisteme za prikupljanje, obratite se lokalnim nadležnim organima ili prodavaču kod kojeg je proizvod kupljen. Svako domaćinstvo igra važnu ulogu u obnavljanju i recikliranju starog aparata. Odgovarajuće odlaganje korišćenog aparata pomaže u sprječavanju potencijalnih negativnih posljedica po životnu sredinu i zdravlje ljudi.

### **Usklađenost s RoHS direktivom**

Proizvod koji ste kupili je usklađen s Direktivom EU RoHS (2011/65/EU). On ne sadrži štetne i zabranjene materijale navedene u Direktivi.



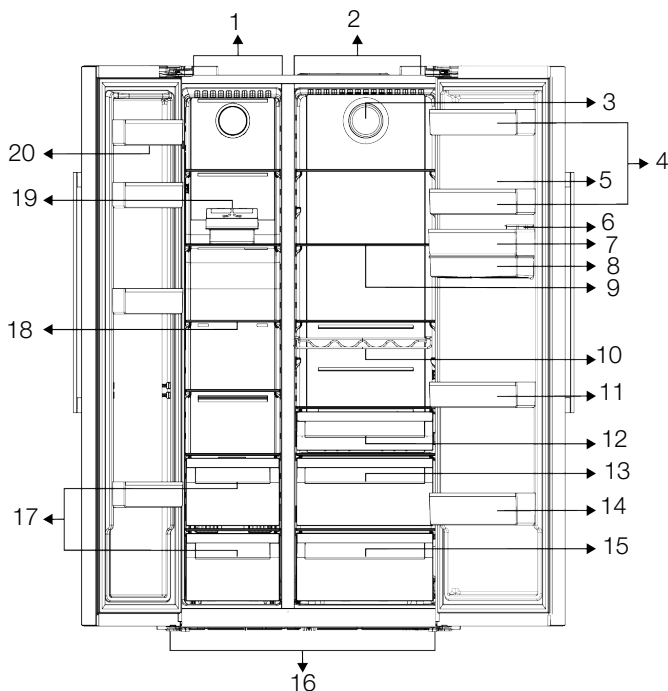
### **Informacije o paketu**

Ambalaža proizvoda je proizvedena od sekundarnih sirovina u skladu s našim nacionalnim propisima za zaštitu okoliša. Ne bacajte ambalažu sa kućnim ili drugim otpadom. Odnosite je do sabirnih centara za ambalažu koje su odredile lokalne vlasti.

**BS**

### 3 Vaš hladnjak

BS



1 Odjeljak zamrzivača

3 Ventilator

5 Držač jaja

7 \*Police na vratima odjeljka za  
hlađenje

9 \*Staklene police odjeljka za hlađenje

11 \*Police na vratima odjeljka za  
hlađenje

13 \*Odjeljci za voće i povrće

15 \*Odjeljci za voće i povrće

17 Odjeljke za skladištenje zamrznule  
hrane

19 Icematic

2 Odjeljak hladnjaka

4 \*Police na vratima odjeljka za  
hlađenje

6 Rezervoar za punjenje aparata za  
vodu

8 Spremnik aparata za vodu

10 \*Polica za boce

12 \*Odjeljak za mliječne proizvode  
(ledara)

14 \*Polica za boce

16 Podesive nožice

18 \*Staklene police u odjeljku  
zamrzivača

20 Police na vratima zamrzivača

\* **Opcionalno:** Slike u ovom korisničkom uputstvu su šematske i možda se neće u potpunosti poklapati sa vašim uređajem.

Ako vaš proizvod ne sadrži odnosne dijelove, informacije se odnose na drugim modelima.

## 4 Instalacija

### Pravo mjesto za instalaciju



Prvo pročitajte odjeljak „Sigurnosne upute“!

Vaš proizvod zahtijeva adekvatnu cirkulaciju zraka da bi efikasno funkcionirao. Ako će proizvod biti smješten u niši, ne zaboravite ostaviti najmanje 5 cm razmaka između proizvoda i stropa, zida sa stražnje strane i zidova s bočnih strana. Provjerite da li se zaštitna komponenta za razmak sa stražnje strane nalazi na predviđenom mjestu (ako je isporučena uz proizvod). Ako komponenta nije dostupna ili se izgubi ili spadne, postavite proizvod tako da između stražnje površine proizvoda i zidova prostorije bude najmanje 5 cm razmaka. Razmak sa stražnje strane važan je za učinkovit rad proizvoda.

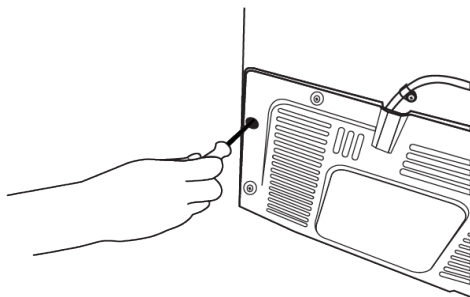


Ne koristite produžne ili višestruke utičnice u priključku za napajanje.

### Postavljanje plastičnih klinova

Upotrijebite plastične klinove koji su isporučeni uz proizvod kako biste održali dovoljno prostora za cirkulaciju zraka između proizvoda i zida.

- Uklonite vijke na proizvodu i montirajte vijke priložene uz klinove.



- Pričvrstite 2 plastična klina na poklopac ventilacije kao što je prikazano na slici.



Proizvođač ne preuzima odgovornost za štetu nastalu radom neovlaštenih osoba.

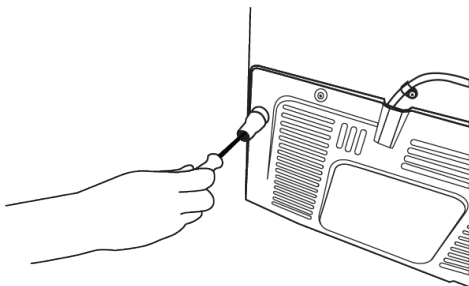


Kabel za napajanje proizvoda mora biti isključen iz struje tijekom instalacije. Ako to ne učinite, može doći do smrti ili teških povreda!



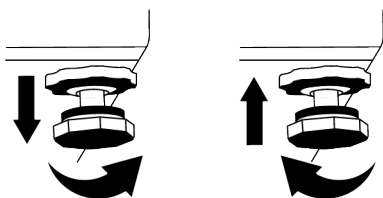
Ako je raspon vrata preuzak da bi proizvod mogao proći, uklonite vrata i okrenite proizvod u stranu; ako ovo ne uspije, obratite se ovlaštenom servisu.

- Stavite proizvod na ravnu površinu kako bi izbjegli vibracije.
- Postavite proizvod najmanje 30 cm od grijalice, peći i sličnih izvora topline i najmanje 5 cm od električnih peći.
- Ne izlažite proizvod direktnoj sunčevoj svjetlosti ili ne držite ga u vlažnom okruženju.



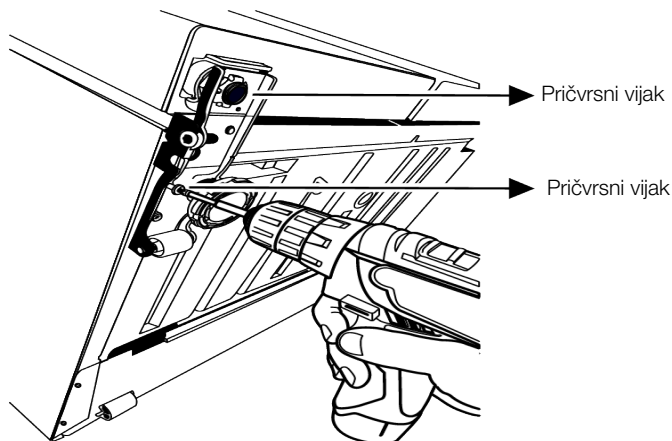
### Podešavanje postolja

Ako proizvod nije u izbalansiranom položaju, možete podesiti balans proizvoda okretanjem postolja srijeda desno ili lijevo.



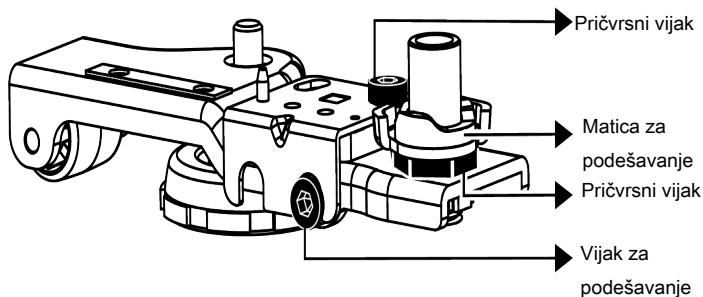
**Za vertikalno podešavanje vrata,**  
otпустите приçvrсни vijak на dну Okrenite  
vijak za podešavanje prema položaju (u  
smjeru kazaljke на satu/u smjeru

suprotnom od kazaljke на satu) vrata.  
Pritegnite приçvrсни vijak за fiksiranje  
položaja



**Za horizontalno postavljanje vrata,**  
otпустите приçvrсни vijak на dну Otpustite  
приçvrсну maticu на vrhu. Okrenite vijak за  
podešavanje на stranu prema položaju (u

smjeru kazaljke на satu/u smjeru  
suprotnom od kazaljke на satu) vrata. Da  
biste fiksirali položaj, zategnite приçvrсни  
vijak на vrhu. Pritegnite приçvrсни vijak на  
dну.



#### 4.1 Прикључак на napajanje elektriçnom energijom



**UPOZORENJE:** Ne koristite  
produžne kabele ili višestruke  
utiçnice u прикључку за napajanje.



**UPOZORENJE:** Ošteçeni kabel за  
napajanje mora zamijeniti ovlaštени  
servis.

- Naša firma ne preuzima odgovornost за  
bilo kakvu štetu nastalu upotrebom bez  
uzemljenja i прикључка napajanja u skladu  
sa државним propisima.

- Napojni kabel mora biti lako dostupan nakon instalacije.



Upozorenje na vruću površinu!  
Bočne stijenke vašeg proizvoda opremljene su cijevima za hlađenje za poboljšanje sistema hlađenja. Tečnost pod visokim pritiskom može teći kroz ove površine, uzrokujući vruće površine na bočnim stijenkama. Ovo je normalno i ne zahtijeva servisiranje. Budite oprezni kad dodirujete ta područja.

BS

## 5 Priprema



Prvo pročitajte odjeljak „Sigurnosne upute“!

### 5.1 Što učiniti za uštedu energije



Povezivanje proizvoda na elektronske sisteme za štednju energije je štetno jer to može oštetiti proizvod.

- Ovaj rashladni uređaj nije namijenjen upotrebi kao ugradbeni uređaj.
- Ne držite vrata hladnjaka otvorena duže vrijeme.
- Ne stavljajte toplu hranu ili pića u hladnjak.
- Nemojte prepuniti hladnjak; blokiranje unutrašnjeg protoka zraka će smanjiti kapacitet hlađenja.
- Budući da vrući i vlažni zrak neće direktno prodirati u vaš proizvod kada vrata nisu otvorena, vaš proizvod će se optimizirati u uvjetima dovoljnim da zaštiti vašu hranu. Funkcije i komponente poput kompresora, ventilatora, grijača, odmrzavanja, osvjetljenja, zaslona i tako dalje u tim okolnostima funkcionirat će u skladu s potrebama da se u tim okolnostima potroši minimalna količina energije.
- U slučaju da postoji više opcija, staklene police moraju biti postavljene tako da izlazi za zrak na zadnjoj stijenci ne budu blokirani, i po mogućnosti na način da otvori za zrak ostanu ispod staklene

police. Takva kombinacija može pomoći u poboljšanju raspodjele zraka i energetske efikasnosti.

- Za čuvanje hrane preporučuju se donje ladice.
- Hrana se čuva u ladicama hladnjaka kako bi se osigurala ušteda energije i zaštitila hrana u boljim uvjetima.

### 5.2 Prvo korištenje

Prije upotrebe hladnjaka, pobrinite se da su potrebne pripreme napravljene u skladu sa uputstvima u sekcije "Uputstva o sigurnosti i okoliša" i "Instalacija".

- Uključite proizvod da radi 6 sati bez unešene hrane i ne otvarajte vrata osim ako je to izričito neophodno.
- Promjena temperature uzrokovana otvaranjem i zatvaranjem vrata tijekom upotrebe proizvoda može obično dovesti do kondenzacije na hrani koja se nalazi na policama na vratima/kućištu i staklenim posudama artiklima smještenim u proizvodu.



Zvuk će se čuti kada kompresor počinje da radi. Normalno je da proizvod proizvodi buku čak i ako kompresor ne radi, jer se tekućina i plin mogu komprimirati u sistemu za hlađenje.



Normalno je da prednje ivice hladnjaka budu tople. Ova područja su dizajnirana za zagrijavanje kako bi se spriječila kondenzacija.



Kod nekih modela, indikatorska ploča automatski se isključuje 1 minutu nakon zatvaranja vrata. On će se ponovno aktivirati kada se otvore vrata ili se pritisne bilo koji taster.

### 5.3 Klimatska klasa i definicije

Pogledajte klimatsku klasu na natpisnoj pločici vašeg uređaja. Jedna od sljedećih informacija odnosi se na vaš uređaj prema klimatskoj klasi.

## 6 Rukovanje proizvodom



Prvo pročitajte odjeljak „Sigurnosne upute“!

- Ne koristite mehanički alat ili bilo koji drugi alat osim onih preporučenih od strane proizvođača s ciljem ubrzavanja postupka odmrzavanja.
- Ne koristite dijelove hladnjaka, poput vrata ili ladicica, kao potporu ili stepenicu. To može dovesti do prevrtanja proizvoda ili oštećenja njegovih komponenti.
- Proizvod se koristi samo za čuvanje hrane.

- **SN:** Dugotrajna umjerena klima: Ovaj rashladni uređaj je dizajniran za upotrebu na temperaturama okoline između 10 °C i 32 °C.
- **N:** Umjerena klima: Ovaj rashladni uređaj je dizajniran za upotrebu na temperaturama okoline između 16 °C i 32 °C.
- **ST:** Subtropska klima: Ovaj rashladni uređaj je dizajniran za upotrebu na temperaturama okoline između 16 °C i 38 °C.
- **T:** Tropska klima: Ovaj rashladni uređaj je dizajniran za upotrebu na temperaturama okoline između 16 °C i 43 °C.

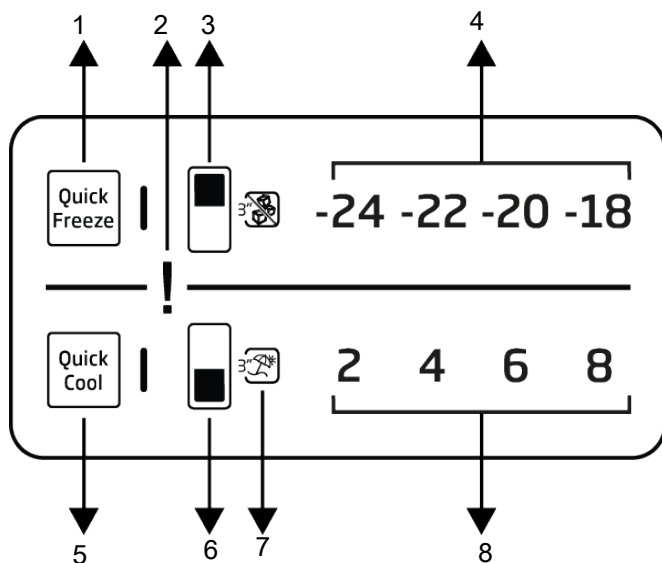
BS

- Isključite ventil za vodu ako ćete biti daleko od kuće (npr. na odmoru) i nećete dugo koristiti aparat IceMatic ili dozator vode. U suprotnom može doći do curenja vode.

### Isključivanje proizvoda

- Ako nećete koristiti proizvod duže vrijeme, isključite proizvod iz utičnice.
- Uklonite hranu kako biste spriječili stvaranje neugodnih mirisa,
- Pričekajte da se led otopi, očistite unutrašnjost i ostavite da se osuši, ostavite vrata otvorena kako ne biste oštetili plastiku unutrašnjeg tijela.





- |  |   |
|--|---|
| 1 Tipka za brzo zamrzavanje                              | 2 * Indikator statusa greške                          |
| 3 Tipka za podešavanje temperature u odjeljku zamrzivača | 4 Indikator temperature odjeljka zamrzivača           |
| 5 Tipka za brzo hlađenje                                 | 6 Tipka za podešavanje temperature odjeljka hladnjaka |
| 7 *Indikator funkcije za odmor                           | 8 Indikator temperature odjeljka hladnjaka            |

**Prvo pročitajte odjeljak „Sigurnosne upute“.**

\* Opcionalno: Prikazane funkcije su opcione, mogu postojati razlike u obliku i lokaciji u funkcijama koje se nalaze na indikatorskoj ploči vašeg uređaja. Slušne i vizualne funkcije na indikatorskoj ploči pomoći će vam u korištenju hladnjaka.

### 1. Tipka za brzo zamrzavanje

Kada se pritisne tipka za brzo zamrzavanje, funkcija brzog zamrzavanja bit će aktivirana. Ponovo pritisnite tipku da poništite funkciju. Osim ako se ne pritisne dugme za otkazivanje, funkcija brzog zamrzavanja će se automatski deaktivirati nakon prethodno podešenog vremena. Za zamrzavanje veće količine svježe hrane, pritisnite tipku za brzo zamrzavanje prije stavljanja hrane u odjeljak zamrzivača.

## 2. \* Indikator statusa greške

Ovaj indikator je uključen kada frižider ne hladi adekvatno ili kada dođe do greške u radu senzora.

## 3. Tipka za podešavanje temperature u odjeljku zamrzivača

Ova funkcija vam omogućava da podesite temperaturu zamrzivača. Pritisnite ovo dugme da postavite temperaturu zamrzivača na -18, -20, -22 ili -24.

## 4. Indikator temperature odjeljka zamrzivača

Postavljena temperatura zamrzivača se prikazuje kao -18°C, -20°C, -22°C i -24°C.

## 5. Tipka za brzo hlađenje

Kada se pritisne tipka za brzo hlađenje, LED svjetlo na tipki svijetli i aktivira se funkcija brzog hlađenja. Ponovo pritisnite tipku da poništite funkciju. Osim ako se ne pritisne dugme za otkazivanje, funkcija brzog hlađenja će se automatski deaktivirati nakon prethodno podešenog vremena.

# 8 Korištenje proizvoda

## 8.1 Zamjena lampe za osvjjetljenje

Pozovite ovlašteni servis kada treba zamijeniti žarulju/LED lampicu koja se koristi za osvjjetljenje u vašem frižideru. Lampica(e) korištena(e) u ovom uređaju ne mogu se koristiti za kućno osvjjetljenje. Namjena ove lampice je da pomogne korisniku da sigurno i praktično stavi hranu u hladnjak/zamrzivač.

## 8.2 Door Open Alert

The door open alert system of your refrigerator may differ depending on the model.

### Version 1;

If the door of the product remains open for a certain time (between 60 s and 120 s), an audio warning signal sounds; depending on

## 6. Tipka za podešavanje temperature odjeljka hladnjaka

Ova funkcija vam omogućava da podesite temperaturu hladnjaka. Pritisnite ovo dugme da postavite temperaturu hladnjaka na -8, -6, -4 ili -2.

## 7. \*Indikator funkcije za odmor

Da biste aktivirali funkciju odmora, pritisnite tipku 3 sekunde. Režim odmora je aktiviran i za to vrijeme odjeljak za hlađenje ne obavlja aktivno hlađenje. Kada je aktivirana ova funkcija ne biste trebali držati namirnice u odjeljku hladnjaka. Hlađenje drugih odjeljaka nastavit će se u skladu s temperaturom podešenom ranije. Ponovo pritisnite tipku na 3 sekunde da biste otkazali ovu funkciju.

## 8. Indikator temperature odjeljka hladnjaka

Postavljena temperatura hladnjaka se prikazuje kao 2°C, 4°C, 6°C i 8°C.

the product model, a visual warning signal (light flash) can also be displayed. If you close the door of the device or press a button on the screen of the device, if any, the warning sound will stop.

### Version 2;

If the door of the device remains open for a certain period of time (between 60 s and 120 s), the door open alert is sounded. The door open alert is sounded gradually. First, an audible warning starts to sound. After 4 minutes, if the door is still not closed, a visual warning (lighting flash) is activated. The door open alert will be delayed for a certain period of time (between 60 s and 120 s) when any key on the product screen, if any, is pressed. Then the process will start again. When the device door is closed, the door open alert will be cancelled.

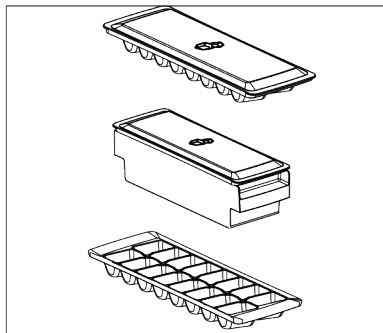
# 9 Karakteristike proizvoda

## 9.1 Prostor za skladištenje leda Spremnik za led

Kanta za led omogućava vam lako uzimanje leda iz frižidera.

## Korišćenje korpe za led

1. Izvadite posudu za led iz odjeljka zamrzivača.
2. Napunite fioku za led vodom.
3. Vratite korpu za led u odjeljak zamrzivača. Led će biti spreman nakon otprilike dva sata.
4. Izvadite korpu za led iz pregrade za zamrzavanje i nagnite malo iznad činije u kojoj ćete ga poslužiti. Led će se lako prebaciti u činiju za serviranje.



## 9.2 Držać jaja

Držać za jaja možete postaviti na vrata ili policu kućišta po želji.

Ako se držać za jaja postavlja na policu kućišta, preporučujemo da odaberete hladnije donje police.



**Nikada ne stavljajte držać jaja na odjeljak zamrzivača**

## 9.3 Odjeljak za voće i povrće

Odjeljak za voće i povrće u hladnjaku predviđen je da održava povrće svježim, čuvajući vlagu. U tu svrhu, pojačana je ukupna cirkulacija hladnog zraka. Držite voća i povrća u tom prostoru. Držite zelenolisnog povrća i voće odvojeno da bi produžili njihovi život.

## 9.4 Crisper tehnologije

### Plavo svijetlo

Voće i povrće pohranjeno u odjeljcima za voće i povrće osvijetljenim plavim svjetlom nastavlja da vrši fotosintezu pomoću

efekta valnih duljina plave svjetlosti i na taj način sadržaj vitamina u njima ostaje sačuvan.

### HarvestFresh

Voće i povrće pohranjeno u odjeljcima za voće i povrće osvijetljenim tehnologijom HarvestFresh duže će održati vitamine u sebi zahvaljujući plavim, zelenim, crvenim svjetlima i ciklusima mraka, koji simuliraju dnevni ciklus.

Kada se vrata hladnjaka otvore u periodu mraka tehnologije HarvestFresh, vaš hladnjak će to automatski identifikovati i za vašu ugodnost osvijetliti odjeljak s voćem i povrćem s jednom od plave, zelene ili crvene lampice. Nakon što zatvorite vrata hladnjaka, period mraka će se nastaviti, predstavljajući period noći tokom dnevnog ciklusa.

## 9.5 Prostor za hlađenje mliječnih proizvoda

### Ladica za hladno skladištenje

Ladica za hladno skladištenje može dostići niže temperature u odjeljku hladnjaka.

Koristite ovu ladicu za delikatesne proizvode (salama, kobasice, itd.) i mliječne proizvode koji zahtijevaju hladnije uslove skladištenja ili za brzo konzumiranje mesa, piletine ili ribe. Ova ladica nije prikladna za držanje voća i povrća.

## 9.6 Odjeljak za voće i povrće sa kontrolom vlage

### Everfresh

Regulacija vlažnosti odjeljka za voće i povrće drži pod kontrolom vlažnost povrća i voća, a hrana ostaje svježija tokom dužeg perioda.

Preporučujemo da lisnato povrće kao što su zelena salata, spanać i slično povrće koje je osjetljivo na gubitak vlage stavite u hrskavicu, ne uspravno na korijenje, već što je moguće horizontalnije.

Prilikom postavljanja povrća, teško i tvrdo povrće stavite na dno a meko na vrh, uzimajući u obzir specifične težine povrća.

Nikada ne ostavljajte povrće u plastičnim kesama u posudi. Čuvanje u plastičnim kesicama dovodi do toga da povrće brzo istruli.

U situacijama kada kontakt sa drugim povrćem nije poželjan, koristite ambalažne materijale poput papira koji ima određeni nivo poroznosti u smislu higijene.

## 10 Održavanje i čišćenje



### UPOZORENJE:

Prvo pročitajte odjeljak „Sigurnosne upute“.



### UPOZORENJE:

Isključite hladnjak iz struje prije čišćenja.

- Za čišćenje proizvoda ne koristite oštre ili abrazivne alate. Ne koristite materijale kao što su sredstva za čišćenje u domaćinstvu, tečnost za pranje, deterdženti, plin, benzin, razrjeđivač, alkohol, vosak itd.
- Prašina se uklanja s ventilacijske rešetke na stražnjoj strani proizvoda najmanje jednom godišnje (bez otvaranja poklopca). Očistite proizvod suhom krpom.
- Vodite računa da voda ne dođe do poklopac lampe i drugih električnih dijelova.
- Očistite vrata vlažnom krpom. Uklonite sav sadržaj da biste uklonili vrata i police. Uklonite police na vratima podižući ih prema gore. Očistite i osušite police, a zatim vratite ih na mjesto klizanjem odozgo.
- Ne upotrebljavajte hlorisanu vodu ili proizvode za čišćenje na vanjskoj površini i hromiranim dijelovima proizvoda. Klor će uzrokovati rđe na takve metalne površine.
- Ne koristite oštre i abrazivne alate, sapun, sredstva za čišćenje u domaćinstvu, deterdžente, plin, benzin, lakove i slične tvari kako biste spriječili deformacije plastičnog dijela i uklanjanje

Voće koje proizvodi etilen u velikoj količini, poput kruške, kajsije, breskve i naročito jabuke, nemojte stavljati u isti odjeljak za voće i povrće sa ostalim voćem i povrćem. Etilen koji izlazi iz ovog voća može da dovede do bržeg sazrijevanja i truljenja drugog voća i povrća.

otisaka na dijelu. Za čišćenje koristite toplu vodu i mekanu krpu, a zatim je osušite.

- Na proizvodima bez funkcije No-Frost na zadnjoj stijenki odjeljka za zamrzavanje mogu se pojaviti kapljice vode i led oko 1 cm. Ne čistite i nikada ne nanosite ulja ili slične materijale.
- Za čišćenje vanjske površine proizvoda koristite blago navlaženu krpu od mikro vlakana. Spužve i druge vrste odjeće za čišćenje mogu izazvati ogrebotine.
- Da biste očistili sve uklonjive komponente tokom čišćenja unutrašnje površine proizvoda, operite je komponentama blagim rastvorom koji se sastoji od sapuna, vode i karbonata. Isperite i temeljno osušite. Spriječite kontakt vode sa komponentama osvjetljenja i kontrolnom pločom.



### OPREZ:

Ne koristite ocat, alkohol za čišćenje ili druga sredstva za čišćenje na bazi alkohola na bilo kojoj unutrašnjoj površini.

### Vanjske površine od nerđajućeg čelika

Upotrijebite neabrazivno sredstvo za čišćenje od nehrđajućeg čelika i nanesite ga mekom krpom koja ne ostavlja dlačice. Za poliranje površinu nježno obrišite krpom od mikro vlakana namočenom u vodu i koristite suhu jelensku kožu. Uvijek slijedite žlijebove od nehrđajućeg čelika.

## Sprečavanje mirisa

Proizvod je proizveden bez materijala specifičnog mirisa. Međutim, držanje hrane u neprikladnim djelovima i nepravilno čišćenje unutrašnjih površina može dovesti do pojave mirisa.

- Da biste to izbjegli, unutrašnjost čistite gaziranom vodom svakih 15 dana.

## 11 Rješavanje problema

Provjerite ovu listu prije nego kontaktirate servis. Na taj način ćete uštedjeti vrijeme i novac. Ova lista uključuje česte reklamacije koje se ne odnose na neispravnu izradu ili materijale. Određene karakteristike koje se ovdje spominju možda se ne odnose na vaš proizvod.

### Frižider ne radi.

- Utikač za napajanje nije u potpunosti postavljen. >>> Uključite ga da se potpuno ukopča u utičnicu.
- Osigurač spojen na utičnicu koja napaja proizvod ili glavni osigurač je pregorio. >>> Provjerite osigurač.

### Kondenzacija na bočnom zidu rashladnog prostora (MULTI ZONA, COOL CONTROL i FLEXI ZONA).

- Vrata se prečesto otvaraju. >>> Pazite da vrata proizvoda ne otvarate prečesto.
- Okolina je previše vlažna. >>> Ne instalirajte proizvod u vlažnom okruženju.
- Hrana koja sadrži tečnost čuva se u nezatvorenim držačima. >>> Držite hranu koja sadrži tečnost u zatvorenim držačima.
- Vrata proizvoda ostaju otvorena. >>> Ne držite vrata proizvoda otvorena duže vrijeme.
- Termostat je podešen na vrlo nisku temperaturu. >>> Postavite termostat na odgovarajuću temperaturu.

### Kompresor ne radi.

- U slučaju iznenadnog nestanka struje ili izvlačenja utikača i ponovnog uključivanja, pritisak gasa u rashladnom sistemu proizvoda nije izbalansiran, što

- Držite hranu u zatvorenim držačima, jer mikroorganizmi koji nastaju iz hrane koja se drži u nezatvorenim posudama mogu uzrokovati loš miris.
- Nemojte držati hrane isteklim rokom i pokvarene hrane u hladnjaku.

### Zaštita plastičnih površina

Ulje proliveno na plastične površine može oštetiti površinu i mora se odmah očistiti s toplom vodom.

aktivira termičku zaštitu kompresora. Proizvod će se ponovo pokrenuti nakon otprilike 6 minuta. Ako se proizvod ne pokrene ponovo nakon ovog perioda, kontaktirajte servis.

- Odmrzavanje je aktivno. >>> Ovo je normalno za potpuno automatsko odmrzavanje proizvoda. Odmrzavanje se vrši periodično.
- Proizvod nije priključen. >>> Uvjerite se da je kabl za napajanje uključen.
- Postavka temperature nije tačna. >>> Odaberite odgovarajuću postavku temperature.
- Nestalo je struje. >>> Proizvod će nastaviti da radi normalno nakon što se napajanje vrati.

### Radna buka frižidera se povećava tokom upotrebe.

- Radne performanse proizvoda mogu varirati ovisno o varijacijama temperature okoline. Ovo je normalno i nije kvar.

### Frižider radi prečesto ili predugo.

- Novi proizvod može biti veći od prethodnog. Veći proizvodi će trajati duže.
- Sobna temperatura može biti visoka. >>> Proizvod će normalno raditi dugo vremena na višoj sobnoj temperaturi.
- Proizvod je možda nedavno bio uključen ili je unutra stavljena nova namirnica. >>> Proizvodu će trebati više vremena da dostigne podešenu temperaturu kada je nedavno uključen ili ako se unutra stavi nova namirnica. To je normalno.

- U proizvod su možda nedavno stavljene velike količine tople hrane. >>> Ne stavljajte vruću hranu u proizvod.
- Vrata su se često otvarala ili su bila otvorena duže vreme. >>> Topli zrak koji se kreće unutra će uzrokovati duži rad proizvoda. Ne otvarajte vrata prečesto.
- Vrata zamrzivača ili hladnjaka mogu biti odškrinuta. >>> Provjerite da li su vrata potpuno zatvorena.
- Proizvod je možda podešen na prenisku temperaturu. >>> Podesite temperaturu na viši stepen i sačekajte da proizvod dostigne podešenu temperaturu.
- Uređaj za pranje vrata hladnjaka ili zamrzivača može biti prljav, istrošen, slomljen ili nije pravilno postavljen. >>> Očistite ili zamijenite zaptivku. Oštećena/pokidana mašina za pranje vrata će uzrokovati da proizvod radi duže kako bi se očuvala trenutna temperatura.

**Temperatura zamrzivača je vrlo niska, ali temperatura hladnjaka je adekvatna.**

- Temperatura zamrzivača je podešena na veoma nizak stepen. >>> Podesite temperaturu u zamrzivaču na viši stepen i ponovo provjerite.

**Temperatura hladnjaka je vrlo niska, ali temperatura zamrzivača je adekvatna.**

- Temperatura u hladnjaku je postavljena na vrlo nizak stepen. >>> Podesite temperaturu rashladnog prostora na viši stepen i ponovo provjerite.

**Namirnice koje se čuvaju u ladicama rashladnog odjeljka su zamrznute.**

- Temperatura u hladnjaku je postavljena na vrlo nizak stepen. >>> Podesite temperaturu rashladnog prostora na viši stepen i ponovo provjerite.

**Temperatura u hladnjaku ili zamrzivaču je previsoka.**

- Temperatura hladnjaka je postavljena na vrlo visok stepen. >>> Podešavanje temperature rashladne komore utiče na temperaturu u zamrzivaču. Sačekajte dok temperatura relevantnih delova ne dostigne dovoljan nivo promjenom temperature hladnjaka ili zamrzivača.

- Vrata su se često otvarala ili su bila otvorena duže vreme. >>> Ne otvarajte vrata prečesto.
- Vrata su možda odškrinuta. >>> Potpuno zatvorite vrata.
- Proizvod je možda nedavno bio uključen ili je unutra stavljena nova namirnica. >>> Ovo je normalno. Proizvodu će trebati više vremena da dostigne zadatu temperaturu kada je nedavno uključen ili ako se unutra stavi nova namirnica.
- U proizvod su možda nedavno stavljene velike količine tople hrane. >>> Ne stavljajte vruću hranu u proizvod.

**Tresenje ili buka.**

- Površina nije ravna ili izdržljiva >>> Ako se proizvod tresе kada se polagano pomiče, podesite postolja da izbalansirate proizvod. Također provjerite da li je tlo dovoljno izdržljivo da nosi proizvod.
- Bilo koji predmet postavljen na proizvod može uzrokovati buku. >>> Uklonite sve stavke postavljene na proizvod.
- Proizvod proizvodi buku tečnosti koja teče, prska, itd.
- Principi rada proizvoda uključuju protok tekućine i plina. >>> Ovo je normalno i nije kvar.

**Iz proizvoda se čuje zvuk vjetra.**

- Proizvod koristi ventilator za proces hlađenja. Ovo je normalno i nije kvar.

**Na unutrašnjim zidovima proizvoda dolazi do kondenzacije.**

- Vruće ili vlažno vrijeme će povećati zaleđivanje i kondenzaciju. Ovo je normalno i nije kvar.
- Vrata su se često otvarala ili su bila otvorena duže vreme. >>> Ne otvarajte vrata prečesto; ako su otvorena, zatvorite vrata.
- Vrata su možda odškrinuta. >>> Potpuno zatvorite vrata.

**Postoji kondenzacija na vanjskoj strani proizvoda ili između vrata.**

- Ambijentalno vrijeme može biti vlažno, to je sasvim normalno po vlažnom vremenu. >>> Kondenzacija će se raspršiti kada se smanji vlažnost.

**Unutrašnjost loše miriše.**

- Proizvod se ne čisti redovno. >>> Unutrašnjost redovno čistite sušerom, toplom vodom i gaziranom vodom.
- Određeni držači i materijali za pakovanje mogu uzrokovati miris. >>> Koristite držače i materijale za pakovanje bez mirisa.
- Hrana je stavljena u nezapečaćene držače. >>> Držite hranu u zatvorenim posudama. Mikroorganizmi se mogu širiti iz nezapečaćenih namirnica i uzrokovati loš miris.
- Uklonite svu hranu kojoj je istekao rok ili pokvarenu hranu iz proizvoda.

**Vrata se ne zatvaraju.**

- Paketi hrane možda blokiraju vrata. >>> Premjestite sve predmete koji blokiraju vrata.

- Proizvod ne stoji u potpuno uspravnom položaju na tlu. >>> Podesite stalke da izbalansirate proizvod.
- Površina nije ravna ili izdržljiva >>> Provjerite je li površina ravna i dovoljno izdržljiva da nosi proizvod.

**Aparat se zaglavio.**

- Namirnice mogu biti u kontaktu s gornjim dijelom ladice. >>> Reorganizirajte namirnice u ladici.

**Temperatura na površini proizvoda.**

- Visoka temperatura može se primijetiti između dvoja vrata, na bočnim pločama i na stražnjoj površini roštilja dok se vaš proizvod koristi. Ovo je normalno i ne zahtijeva servisiranje.

**Ventilator nastavlja da radi kada se vrata otvore.**

- Ventilator može nastaviti da radi kada su vrata zamrzivača otvorena.



**UPOZORENJE:** Ako se problem nastavi nakon što slijedite upute u ovom odjeljku, kontaktirajte dobavljača ili ovlaštenu servis. Ne pokušavajte popraviti proizvod. To je normalno.

# Molimo, prvo pročitajte ovaj priručnik!

Poštovani korisniče,

**Prije postavljanja uređaja pročitajte priručnik.**

Zahvaljujemo na odabiru ovog proizvoda Beko . Želimo postići optimalnu učinkovitost ovog visokokvalitetnog proizvoda koji je proizveden primjenom najmodernije tehnologije. Zbog toga pažljivo pročitajte ovaj priručnik i ostalu priloženu dokumentaciju prije upotrebe proizvoda i čuvajte ih za buduću upotrebu.

Pridržavajte se svih upozorenja i informacija u korisničkom priručniku. Na taj način zaštitit ćete sebe i proizvod od oštećenja koja mogu nastati.

Čuvajte korisnički priručnik. Ovaj priručnik pridodaje uređaju ako ćete ga nekome ustupiti.

**U ovom korisničkom priručniku korišteni su sljedeći simboli:**



Opasnost koja može rezultirati smrću ili ozljedom.



Važne informacija i korisni savjeti o upotrebi.







Pročitajte korisnički priručnik.



Zapaljivi materijal, upozorenja za opasnost od požara.

**NAPOMENA** Opasnost koja može izazvati materijalnu štetu na proizvodu ili u okruženju


  <b>SUPPLIER'S NAME</b>  <b>MODEL IDENTIFIER</b> → (*) 	Podaci o modelu pohranjeni su u bazi podataka proizvoda, a možete im pristupiti unosom sljedećih internetskih stranica i traženjem identifikacijske oznake modela (*) koja se nalazi na energetske oznaci. <a href="https://eprel.ec.europa.eu/">https://eprel.ec.europa.eu/</a>
--	---





<b>1</b>	<b>Sigurnosne upute.....</b>	<b>82</b>
1.1	Namjena.....	82
1.2	Sigurnost djece, ranjivih osoba i kućnih ljubimaca .....	82
1.3	Električna sigurnost.....	83
1.4	Sigurno rukovanje.....	84
1.5	Sigurna instalacija .....	84
1.6	Sigurno rukovanje.....	86
1.7	Sigurno čuvanje hrane.....	88
1.8	Sigurno održavanje i čišćenje .....	89
1.9	Zbrinjavanje starog proizvoda .....	90
<b>2</b>	<b>Upute za zaštitu okoliša .....</b>	<b>90</b>
2.1	Sukladnost s Direktivom o gospodarenju otpadnim električnim i elektroničkim uređajima i opremom (WEEE Directive) i odlaganjem otpada .....	90
<b>3</b>	<b>Vaš hladnjak .....</b>	<b>91</b>
<b>4</b>	<b>Instalacija .....</b>	<b>92</b>
4.1	Priključivanje na električnu mrežu	93
<b>5</b>	<b>Priprema .....</b>	<b>94</b>
5.1	Što učiniti za uštedu energije .....	94
5.2	Prva uporaba .....	94
5.3	Klimatski razred i definicije.....	95
<b>6</b>	<b>Rukovanje proizvodom .....</b>	<b>95</b>
<b>7</b>	<b>Upravljačka ploča proizvoda .....</b>	<b>96</b>
<b>8</b>	<b>Upotreba uređaja.....</b>	<b>97</b>
8.1	Zamjena svjetla .....	97
8.2	Upozorenje za otvorena vrata.....	97
<b>9</b>	<b>Značajke proizvoda .....</b>	<b>98</b>
9.1	Prostor za skladištenje leda .....	98
9.2	Držač za jaja .....	98
9.3	Posuda za povrće.....	98
9.4	Tehnologija posude za povrće .....	98
9.5	Prostor rashladnika za mliječne proizvode .....	98
9.6	Odjeljak na dnu hladnjaka za voće i povrće sa kontroliranom vlažnosti zraka.....	99
<b>10</b>	<b>Čišćenje i održavanje .....</b>	<b>99</b>
<b>11</b>	<b>Rješavanje problema.....</b>	<b>100</b>


## 1 Sigurnosne upute

- Ovaj odjeljak sadrži sigurnosne upute potrebne za sprječavanje opasnosti nastanka tjelesnih ozljeda i oštećenja materijala.
- Naša tvrtka neće se smatrati odgovornom za štete koje mogu nastati zbog ne pridržavanja ovih uputa.

 Neka instalaciju i popravak uvijek obavi proizvođač, ovlašteni servis ili osoba koje će odrediti tvrtka uvoznik.

 Koristite samo originalne rezervne dijelove i pribor.

 Na popravljajte te ne zamjenjujte niti jedan dio proizvoda sami osim ako to nije izričito navedeno u korisničkom priručniku.

 Na obavljajte nikakve promjene na proizvodu.

### 1.1 Namjena

- Ovaj proizvod nije prikladan za komercijalnu primjenu te ga koristite samo za ono za što je namijenjen.
  - Ovaj proizvod namijenjen je korištenju u zatvorenom prostoru, poput kućanstava i slično.
- Na primjer;

U kuhinjama za osoblje u trgovinama, uredima i drugim radnim prostorima,  
Na farmama,  
Za goste hotela, motela i drugih oblika smještaja,  
U hostelima i sličnim objektima,  
Za cetering i slične primjene različite od maloprodaje.

- Ovaj proizvod ne smije se koristiti na otvorenom ili u zatvorenim prostorima na otvorenom poput plovila, kampera, balkona ili terasa. Izlaganje proizvoda kiši, snijegu, suncu i vjetru može izazvati opasnost od požara.

### 1.2 Sigurnost djece, ranjivih osoba i kućnih ljubimaca

- Ovaj proizvod mogu koristiti djeca starija od 8 godina te osobe sa smanjenim sa smanjenim tjelesnim, osjetilnim ili mentalnim sposobnostima ili s nedostatnim iskustvom i znanjem, ako su za pod nadzorom ili ako su dobili potrebne upute za rad s uređajem na siguran način te ako shvaćaju moguće opasnosti.

- Djeca starosti od 3 do 8 godina mogu stavljati i uzimati hranu u/iz proizvoda za hlađenje.
- Električni proizvodi su opasni za djecu i kućne ljubimce. Djeca i kućni ljubimci ne smiju se igrati s, penjati se na ili ulaziti u proizvod.
- Djeca bez nadzora ne smiju čistiti ni vršiti korisničko održavanje uređaja, osim ako ih netko ne nadzire.
- Ambalažni materijal držite izvan dohvata djece. Opasnost od ozljede ili gušenja.

Prije zbrinjavanja iskorištenog proizvoda koji se više neće koristiti:

1. Iskopčajte strujni kabel iz strujne utičnice.
  2. Presijecite strujni kabel i uklonite ga s uređaja zajedno s utikačem.
  3. Ne uklanjajte police i ladice iz proizvoda i tako spriječite da djeca uđu u uređaj.
  4. Uklonite vrata.
  5. Pohranite uređaj tako da se ne može prevrnuti.
  6. Ne dozvolite djeci igranje s bačenim proizvodom.
- Ne odlažite proizvod bacanjem u vatru. Opasnost od eksplozije
  - Ako na vratima proizvoda postoji ispravna brava, držite ključ dalje od dohvata djece.



### 1.3 Električna sigurnost

- Tijekom instalacije, održavanja, čišćenja, popravka ili transporta proizvod ne smije biti ukopčan u strujnu utičnicu.
- Ako je strujni kabel oštećen, treba ga zamijeniti samo ovlašteni servis i tako izbjeći moguće opasnosti.
- Ne gurajte strujni kabel ispod proizvoda ili stražnjeg dijela proizvoda. Na strujni kabel ne stavljajte teške predmete. Strujni kabel ne smije se savijati, gnječiti ni dolaziti u dodir s izvorom topline.
- Ne koristite produžni kabel, razdjelne utičnice ili adaptor za rukovanje proizvodom.
- Prijenosne razdjelne utičnice ili prijenosni uređaji za napajanje mogu pregrijati uređaj i izazvati požar. Stoga, iza ili u blizini proizvoda ne držite razdjelne utičnice i prijenosne uređaje za napajanje.
- Strujni kabel proizvoda nemojte ukapčati u labave ili oštećene strujne utičnice. Ovakve vrste priključaka mogu izazvati pregrijavanje i požar.
- Utikač treba biti lako dostupan. Ako to nije moguće, tada na električnu instalaciju treba postaviti mehanizam koji udovoljava električnim propisa

za odspajanje svih priključaka sa strujne mreže (osigurače, sklopke, glavnu sklopku, itd.).

- Utikač ne dirajte mokrim rukama.
- Prilikom iskopčavanja uređaja, ne držite strujni kabel, već utikač.

### 1.4 Sigurno rukovanje

- Obvezno isključite uređaj iz struje prije nošenja proizvoda.
- Ovaj proizvod je težak, ne pomičite ga sami. Može doći do ozljeda ako proizvod padne na vas. Nemojte udarati o mjesta ili ispuštati proizvod tijekom transporta.
- Uvijek zatvorite vrata i ne držite proizvod za vrata tijekom transporta.
- Pazite i nemojte oštetiti rashladni sustav i cijevi kada rukujete proizvodom. Ne rukujte proizvodom ako su cijevi oštećene te kontaktirajte ovlaštenu servis.

### 1.5 Sigurna instalacija

- Za ugradnju proizvoda obratite se ovlaštenom servisu. Kako biste proizvod pripremili za upotrebu, pogledajte informacije u korisničkom priručniku i provjerite jesu li električni priključak i priključak za vodu odgovarajući. Ako nisu

prikladni nazovite električara i vodoinstalatera kako bi podesili potrebno. Ako to ne napravite to može rezultirati strujnim udarom, požarom, problemima s proizvodom ili ozljedom.

- Ovaj proizvod dizajniran je za korištenje na maksimalnoj nadmorskoj visini od 2000 metara nadmorske visine.
- Provjerite postoje li oštećenja na proizvodu prije same instalacije. Ne instalirajte uređaj koji je oštećen.
- Uvijek koristite osobnu zaštitnu opremu (rukavice, itd.) tijekom instalacije, održavanja i popravka proizvoda. Opasnost od ozljede!
- Postavite proizvod na čistu, ravnu i tvrdnu površinu i uravnotežite ga podesivim nožicama (okretanjem prednjih nožica udesno ili ulijevo). U protivnom, hladnjak se može prevrnuti i izazvati ozljede.
- Proizvod se treba instalirati na suhom i prozračenom mjestu. Ispod proizvoda ne stavljajte tepihe, sagove ili slične obloge. To može predstavljati opasnost od požara zbog nedovoljne ventilacije!

- Ne blokirajte i ne prekrivajte ventilacijske otvore. U protivnom, povećava se potrošnja energije te se proizvod može oštetiti.
- Prilikom postavljanja proizvoda pazite da dovodni kabel nije oštećen ili prignječen.
- Proizvod se ne smije spojiti na opskrbne sustave poput solanih izvora energije. U protivnom, proizvod se može oštetiti zbog naglih promjena napona!
- Što hladnjak sadrži više rashladnog sredstva, to treba biti veći prostor za instalaciju. U iznimno malim sobama, zapaljiva smjesa plina i zraka može nastati ako iz rashladnog sustava iscuri plin. Potrebno je barem 1 m<sup>3</sup> volumena za svakih 8 grama rashladnog sredstva. Količina rashladnog sredstva dostupnog u proizvodu navedena je na nazivnoj pločici.
- Mjesto instalacije proizvoda ne smije biti izloženo izravnom sunčevom svjetlu te ne smije biti blizu izvora topline, poput štednjaka, grijača, itd. Ako ne možete spriječiti instalaciju proizvoda u blizini izvora topline, koristite odgovarajuću instalacijsku ploču i vodite računa o minimalnoj udaljenosti do izvora topline koja je navedena u nastavku:
  - Barem 30 cm dalje od izvora topline poput štednjaka, pećnica, grijalica i grijača, itd.
  - Barem 5 cm dalje od električnih pećnica.
- Vaš uređaj ima razred zaštite I.
- Proizvod ukopčajte u uzemljenu utičnicu koja naponom, strujom i frekvencijom odgovara vrijednostima na nazivnoj pločici. Utičnica mora sadržavati osigurač od 10A – 16A. Naša tvrtka neće biti odgovorna za štetu nastalu upotrebom bez uzemljenja ili strujnog priključka u skladu s lokalnim i nacionalnim propisima.
- Tijekom instalacije kabel za napajanje proizvoda mora biti isključen iz napajanja. U protivnom, postoji opasnost od strujnog udara i ozljede!
- Utikač strujnog kabela proizvoda ne ukapčajte u labave, odspojene, oštećene, prljave, masne strujne utičnice te ako postoji opasnost do kontakta s vodom. Ovakve vrste priključaka mogu izazvati pregrijavanje i požar.

- Strujne kabele i crijeva (ako postoje) proizvoda postavite tako da ne predstavljaju opasnost od spoticanja.
- Prodor vlage i tekućine u dijelove pod naponom ili u strujni kabel može izazvati kratki spoj. Stoga, proizvod ne koristite u vlažnim okruženjima ili područjima gdje ga se može poprskati vodom (npr. garaža, praonica rublja, itd.) Ako se hladnjak smoči vodom, iskopčajte ga i kontaktirajte ovlašteni servis.
- Ne spajate hladnjak na uređaje za uštedu energije. Takvi sustavi mogu oštetiti proizvod.
- Postoji opasnost od kontakta s električnim dijelovima prilikom uklanjanja poklopca elektroničke ploče i stražnjeg poklopca kompresora (ako postoji). Ne uklanjajte poklopac elektroničke ploče i stražnji poklopac kompresora (ako postoji). Postoji opasnost od strujnog udara!
- U slučaju kvara proizvoda, iskopčajte proizvod i ne rukujte njime dok ga ne popravi ovlašteni servis. Postoji opasnost od strujnog udara!
- Na proizvod ili u njegovu blizinu ne stavljajte izvore plamena (npr. svijeće, cigarete, itd.).
- Ne penjite se na proizvod. Opasnost od pada ili ozljede!
- Ne oštećujte cijevi rashladnog sustava korištenjem oštarih ili probadajućih alata. Rashladno sredstvo koje prska u slučaju probijanja plinskih cijevi, produžetaka cijevi ili premaza gornje površine može izazvati iritaciju kože ili ozljedu očiju.
- Ne stavljajte i ne rukujte električnim uređajima unutar hladnjaka/zamrzivača osim ako to nije preporuka proizvođača.
- Pazite da pokretni dijelovi unutar proizvoda ne prignječe vašu ruku ili dijelove tijela. Pazite i nemojte zgnječiti svoje prste između hladnjaka i njegovih vrata. Budite pažljivi prilikom otvaranja i zatvaranja vrata ako su djeca u blizini.
- U usta ne stavljajte sladoled, kockice leda ili zamrznutu hranu odmah nakon što ste iz izvadili iz zamrzivača. Opasnost od ozeblina!

## 1.6 Sigurno rukovanje

- Nikad ne koristite kemijska otapala s ovim proizvodom. Ovi materijali predstavljaju opasnost od eksplozije.

- Ne dirajte unutarnje stijenke, metalne dijelove zamrzivača ili hranu koja se čuva u zamrzivaču s mokrim rukama. Opasnost od ozeblina!
- U odjeljak zamrzivača ne stavljajte limenke gaziranih pića ili boce koje sadre tekućinu koja se može zamrznuti. Limenke i boce mogu eksplodirati! Opasnost od ozljede i materijalne štete!
- Ne koristite i ne stavljajte materijale osjetljive na temperaturu, poput zapaljivih sprejeva, zapaljivih predmeta, suhog leda ili drugih kemijskih spojeva u blizini hladnjaka. Opasnost od požara i eksplozije!
- Unutar ovog proizvoda ne stavljajte eksplozivne materijale poput limenki aerosola sa zapaljivim materijalom.
- Ne stavljajte limenke koje sadrže tekućinu na proizvod, kad u otvorene. Prskanje vode po električnom dijelu može uzrokovati strujni udar ili požar.
- Ovaj proizvod nije namijenjen za čuvanje i hlađenje, medicinskih pripravaka, krvne plazme, laboratorijskih pripravaka ili sličnih materijala i proizvoda koja podliježu Direktivi o medicinskim proizvodima.
- Ako se proizvod ne koristi u svrhu za koju je namijenjen, to može izazvati štetu ili propadanje proizvoda koji se čuvaju u njemu.
- Ako je hladnjak opremljen s plavim svjetlom ne gledajte u plavo svjetlo s optičkim pomagalicama. Ne gledajte izravno u UV LED svjetlo duže vrijeme. Ultraljubičaste zrake mogu izazvati umor oka.
- Ne punite proizvod s više sadržaja od njegovog kapaciteta. Ako sadržaj hladnjaka ispadne kada se vrata otvore, to može izazvati ozljede ili oštećenja. Slični problemi mog se pojaviti kada se predmet stavi na proizvod.
- Pripazite i uklonite sav led ili vodu koji su pali na pod i tako spriječite ozljede.
- Promijenite mjesta polica/ polica za boce na vratima hladnjaka samo kada su police prazne. Opasnost od ozljede!
- Ne stavljajte predmete koji mogu pasti/prevrnuti se na proizvod. Ovi predmeti mogu pasti prilikom otvaranja ili zatvaranja vrata i izazvati ozljede i/ili materijalnu štetu.

- Ne udarajte i ne primjenjujte pretjeranu silu na staklene površine. Slomljeno staklo može izazvati ozljede i/ili materijalnu štetu.
- Rashladni sustav proizvoda sadrži rashladno sredstvo R600a. Vrsta rashladnog sredstva korištenog u proizvodu navedena je na tipskoj oznaci. Ovaj plin je zapaljiv. Stoga, pazite i nemojte oštetiti rashladni sustav i cijevi kada rukujete proizvodom. U slučaju oštećenja cijevi;
  1. Ne dirajte proizvod ili strujni kabel.
  2. Držite proizvod podalje od mogućih izvora vatre zbog koje se proizvod može zapaliti.
  3. Prozračite prostor u kojem se nalazi proizvod. Ne koristite ventilator.
  4. Kontaktirajte ovlaštenu servis.

Ako je proizvod oštećen, a primijetite curenje plina, držite se podalje od njega. Plin može izazvati ozeblina ako dođe u dodir s kožom.

Prije zbrinjavanja iskorištenog proizvoda koji se više neće koristiti:

1. Iskopčajte strujni kabel iz strujne utičnice.

2. Presijecite strujni kabel i uklonite ga s uređaja zajedno s utikačem.
  3. Ne uklanjajte police i ladice iz proizvoda i tako spriječite da djeca uđu u uređaj.
  4. Uklonite vrata.
  5. Pohranite uređaj tako da se ne može prevrnuti.
  6. Ne dozvolite djeci igranje s bačenim proizvodom.
- Ne odlažite proizvod bacanjem u vatru. Opasnost od eksplozije
  - Ako na vratima proizvoda postoji ispravna brava, držite ključ dalje od dohvata djece.



## 1.7 Sigurno čuvanje hrane

Posvetite pažnju sljedećim upozorenjima i izbjegnite kvarenje hrane:

- Ako su vrata otvorena duže vrijeme to može izazvati porast temperature unutar proizvoda.
- Redovito čistite dostupne odvodne sustave koji su u dodiru s hranom.
- Očistite spremnike za vodu koji se nisu koristili 48 sati i sustave za vodu s dovodom vode iz vodovoda koji se nisu koristili više od 5 dana.



- Proizvode od sirovog mesa i ribe čuvajte u odgovarajućim odjeljcima unutar proizvoda. Stoga da ne cure ili dođu u dodir s drugom hranom.
- Odjeljci zamrzivača s dvije zvjezdice koriste se za čuvanje gotovih jela, izradu i čuvanje leda i sladoleda.
- Odjeljci s jednom, dvije i tri zvjezdice nisu prikladni za zamrzavanje svježih namirnica.
- Ako se uređaj za hlađenje ostavi prazan duže vrijeme, isključite proizvod, odledite ga, očistite i osušite i tako zaštitite kućište proizvoda.
- Ne čistite proizvod prskanjem ili ulijevanjem vode na proizvod ili unutar proizvoda. Postoji opasnost od strujnog udara i požara!
- Prilikom čišćenja proizvoda, ne koristite oštre ili abrazivne predmete ili sredstva za čišćenje namijenjena za upotrebu u kućanstvima, deterdžente, plin, benzin, razrjeđivač, alkohol, slične tvari. Koristite samo sredstva za čišćenje i održavanje koja ne štete hrani unutar proizvoda.
- Ne koristite paru ni parna sredstva za čišćenje prilikom čišćenja proizvoda i otapanje leda u njemu. Para dolazi u kontakt s dijelovima hladnjaka koji su pod naponom što može izazvati kratki spoj ili strujni udar.

## 1.8 Sigurno održavanje i čišćenje

- Iskopčajte hladnjak prije čišćenja ili prije početka postupka održavanja.
- Ne potežite ručku na vratima kada želite pomaknuti proizvod prilikom čišćenja. Ručka može izazvati ozljede ako se prejako potegne.
- Ne stavljajte ruke i sl. ispod hladnjaka. Mogu se zaglaviti ili oštri rubovi mogu izazvati tjelesne ozljede.
- Pazite i držite vodu podalje od ventilacijskih otvora, elektroničkih sklopova ili svjetla proizvoda.
- Koristite čistu, suhu krpu za brisanje prašine ili stranog materijala s vrhova utikača. Ne koristite mokru ili vlažnu krpu za čišćenje utikača. U protivnom, postoji opasnost od požara ili strujnog udara.



## 1.9 Zbrinjavanje starog proizvoda

Prilikom zbrinjavanja starog proizvoda pridržavajte se uputa u nastavku:

- Spriječite slučajno zaključavanje djece u proizvodu tako što ćete deaktivirati bravu na vratima, ako postoji.

- Prskanje rashladne tekućine štetno je za oči. Prilikom zbrinjavanja proizvoda nemojte oštetiti niti jedan dio rashladnog sustava.
- To može biti kobno ako se proguta ulje kompresora ili ako prodre u dišni sustav.
- Rashladni sustav proizvoda uključuje plin R600a kako je navedeno na oznaci. Ovaj plin je zapaljiv. Ne odlažite proizvod bacanjem u vatru. Opasnost od eksplozije!

HR

## 2 Upute za zaštitu okoliša

### 2.1 Sukladnost s Direktivom o gospodarenju otpadnim električnim i elektroničkim uređajima i opremom (WEEE Directive) i odlaganjem otpada



Ovaj proizvod sukladan je s Direktivom WEE Europske Unije (2012/19/EU). Na ovom proizvodu nalazi se klasifikacijski simbol otpadne električne i elektroničke

opreme (WEEE).

Ovaj simbol znači da se ovaj proizvod ne smije zbrinjavati zajedno s komunalnim otpadom na kraju svog vijeka trajanja. Rabljeni uređaj treba se vratiti u službeni sabirni centar za recikliranje električnih i elektroničkih uređaja. Kako biste pronašli ove sabirne sustave kontaktirajte lokalne vlasti ili trgovinu u kojoj ste kupili proizvod. Svako kućanstvo ima ključnu ulogu i

oporabi i recikliranju starog uređaja. Odgovarajuće zbrinjavanje rabljenih uređaja pomaže spriječiti potencijalne negativne posljedice za okoliš i zdravlje ljudi.

### Sukladnost s Direktivom o ograničavanju opasnih tvari (RoHS Directive):

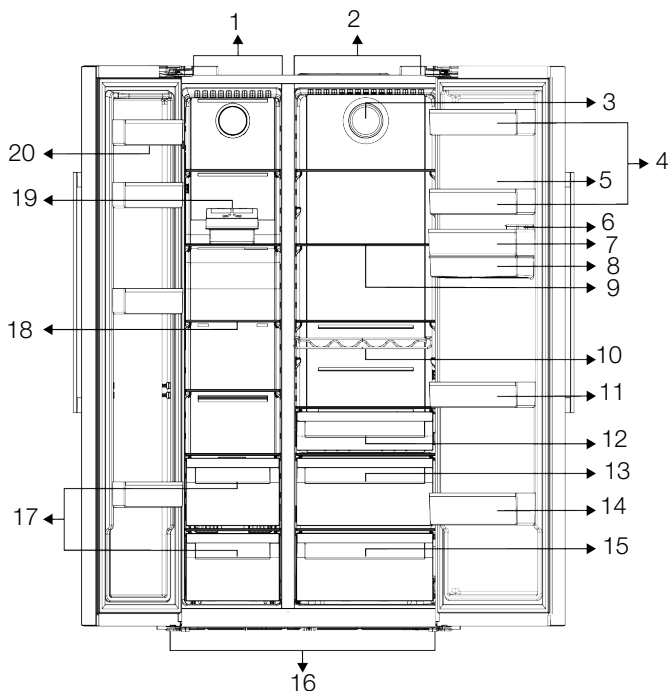
Proizvod je sukladan s Direktivom RoHS Europske Unije (2011/65/EU). Ne sadrži štetne i zabranjene tvari naznačene u Direktivi.



### Informacija o pakiranju

Ambalažni materijal proizvoda proizveden je od recikliranih materijala u skladu s nacionalnim odredbama o zaštiti okoliša. Ne zbrinjavajte ambalažni materijal zajedno s komunalnim ili drugim otpadom. Odnosite ga u sabirne centre ambalažnog materijala koje su odredile lokalne vlasti.

### 3 Vaš hladnjak



HR

- |   |  |
|---|--|
| 1 Odjeljak zamrzivača                     | 2 Odjeljak hladnjaka                           |
| 3 Ventilator                              | 4 * Police na vratima odjeljka hladnjaka       |
| 5 Držač za jaja                           | 6 Spremnik za punjenje dozatora vode           |
| 7 * Police na vratima odjeljka hladnjaka  | 8 Spremnik dozatora vode                       |
| 9 * Staklene police odjeljka hladnjaka    | 10 * Polica za boce                            |
| 11 * Police na vratima odjeljka hladnjaka | 12 * Ladica za mliječne proizvode (rashladnik) |
| 13 * Posude za povrće                     | 14 * Polica za boce                            |
| 15 * Posude za povrće                     | 16 Podesive nožice                             |
| 17 Odjeljak za pohranu smrznute hrane     | 18 * Staklene police odjeljka zamrzivača       |
| 19 Ledomat Icematic                       | 20 Police na vratima odjeljka zamrzivača       |

**\*Dodatno:** Slike u ovom korisničkom priručniku su shematske i ne moraju točno odgovarati proizvodu. Ako vaš proizvod ne sadrži određene dijelove tada se informacije odnose na druge modele.

## 4 Instalacija

### Aдекватno mjesto za ugradnju



Prvo pročitajte „Sigurnosne upute“!

Vaš proizvod zahtijeva adekvatnu cirkulaciju zraka da bi efikasno funkcionirao. Ako će se proizvod postaviti u ostavi, ne zaboravite ostaviti najmanje 5 cm razmaka između proizvoda i stropa, stražnjeg zida i bočnih zidova. Provjerite postoji li na lokaciji zaštitni dio razmaka od stražnje strane. (ako je isporučen s proizvodom). Ako dio nije dostupan ili se izgubio ili je otpao, proizvod postavite tako da se ostavi najmanje 5 cm razmak između stražnje strane proizvoda i zida u prostoriji. Razmak na stražnjoj strani važan je za učinkovit rada proizvoda.

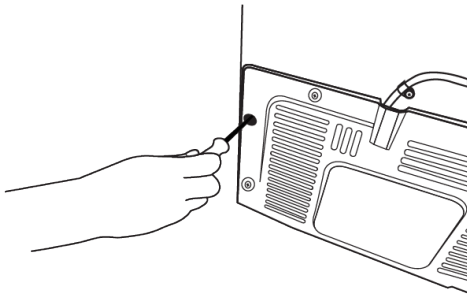


Ne koristite produžni kabel ili kabel sa više utičnica kao strujni priključak.

### Postavljanje plastičnih klinova

Koristite plastične klinove isporučene s proizvodom koristite za osiguranje dovoljnog prostora za odgovarajuću cirkulaciju zraka između proizvoda i zida.

- Uklonite vijke s proizvoda i montirajte vijke isporučene s klinovima.



- Pričvrstite 2 plastična klina na poklopcu za ventilaciju kao na slici.



Proizvođač neće biti odgovoran za štetu nastalu radom kojeg su obavile neovlaštene osobe.

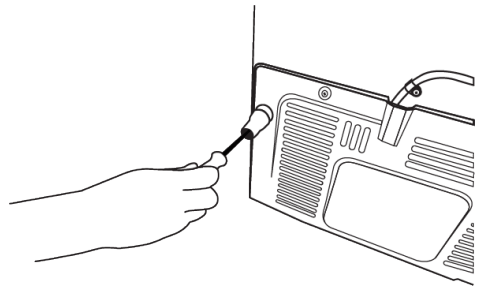


Tijekom instalacije kabel za napajanje proizvoda mora biti isključen iz napajanja. Ako to ne učinite, može doći do smrti ili ozbiljnih ozljeda!



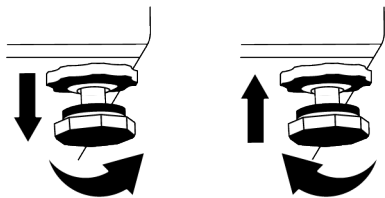
Ako je raspon vrata previše uzak da bi proizvod mogao proći, uklonite vrata i okrenite proizvod u stranu; ako to ne uspije, obratite se ovlaštenom servisu.

- Proizvod postavite na ravnu površinu i tako izbjegnute vibracije
- Proizvod postavite barem 30 cm dalje od grijača, štednjaka i sličnih izvora topline i barem 5 cm dalje od električnih pećnica.
- Ne izlažite proizvod izravnom sunčevoj svjetlosti te ga ne držite u vlažnom okruženju.



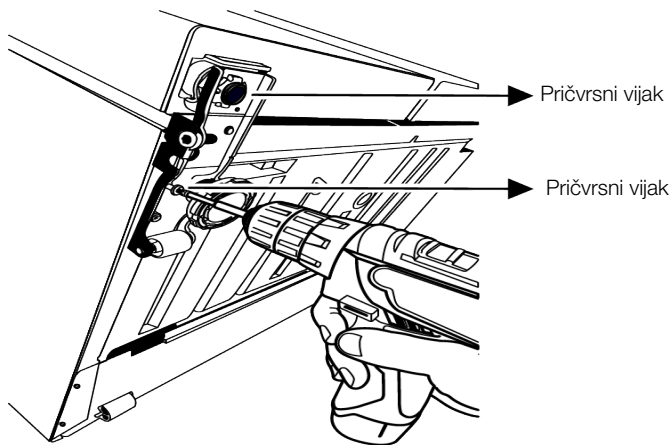
### Prilagođavanje nožica

Ako proizvod nije u ravnotežnom položaju, ravnotežu proizvoda možete podesiti okretanjem postolja s prednje strane udesno ili ulijevo.



### Za okomito podešavanje vrata,

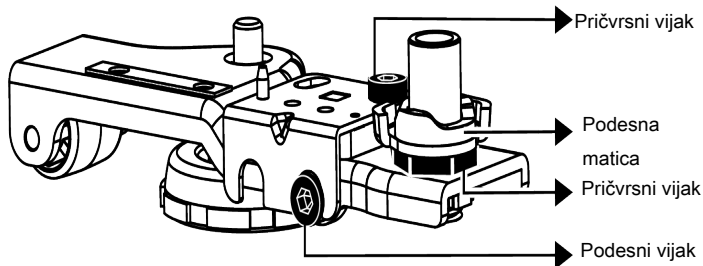
Olabavite pričvrсни vijak na dnu. Okrenite podesni vijak prema položaju (u smjeru kazaljke na satu/obrnutom od smjera kazaljke na satu) vrata. Zategnite pričvrсни vijak u blokirajte položaj.



### Za vodoravno podešavanje vrata,

Olabavite pričvrсни vijak na dnu. Olabavite pričvrсни vijak na vrhu. Okrenite bočni podesni vijak prema položaju (u smjeru

kazaljke na satu/obrnutom od smjera kazaljke na satu) vrata. Za blokiranje položaja, zategnite pričvrсни vijak na vrhu. Zategnite pričvrсни vijak na dnu.



## 4.1 Priključivanje na električnu mrežu



**UPOZORENJE:** Ne koristite produžni kabel ili kabel sa više utičnica kao strujni priključak.



**UPOZORENJE:** Oštećeni kabel za napajanje mora biti zamijenjen sa stane ovlaštenog servisa.

- Naša tvrtka neće biti odgovorna za štetu nastalu upotrebom bez uzemljenja ili strujnog priključka u skladu s nacionalnim propisima.

- Utikač strujnog kabela mora biti lako dostupan nakon instalacije.



Upozorenje, vruća površina!  
Bočne strane proizvoda opremljene su rashladnim cijevima koje poboljšavaju rashladni sustav. Tekućina pod visokim tlakom može protjecati kroz ove površine i tako izazvati zagrijavanje bočnih stijenki. Ovo je normalno i ne zahtjeva servisno održavanje. Budite pažljivi ako dirate ova područja.

HR

## 5 Priprema



Prvo pročitajte „Sigurnosne upute“!

### 5.1 Što učiniti za uštedu energije



Priključivanje proizvoda na elektroničke sustave uštede energije je štetno, jer mogu oštetiti proizvod.

- Ovaj rashladni uređaj nije namijenjen upotrebi kao ugradbeni uređaj.
- Ne držite vrata hladnjaka otvorena dulje vrijeme.
- Ne stavljajte vruće namirnice ili pića u hladnjak.
- Ne stavljate previše hrane u hladnjak; blokiranje unutarnjeg protoka zraka smanjit će kapacitet hlađenja.
- Kada vrata nisu otvorena vrući i važni zrak neće izravno prodrijeti u proizvod, proizvod će se sam optimizirati u odgovarajućim uvjetima za čuvanje hrane. Funkcije i dijelovi poput kompresora, ventilatora, grijača, odmrzavanja, osvjetljenja, zaslona itd. u tim okolnostima radit će u skladu s potrebama kako bi se u ovim okolnostima potrošilo minimalno energije.
- U slučaju postojanja više opcija staklene police trebaju se postaviti tako da otvori za zrak na stražnjoj stijenci ne budu blokirani, po mogućnosti otvori za zrak trebaju biti ispod staklene police. Ova

kombinacija može vam pomoći poboljšati distribuciju zraka i energetske učinkovitost.

- Za čuvanje hrane preporučuju se donje ladice.
- Hrana se treba čuvati u ladicama unutar odjeljka hladnjaka kako bi se osigurala ušteda energije i hrana sačuvala u boljim uvjetima..

### 5.2 Prva uporaba

Prije uporabe proizvoda provjerite jesu li izvršene sve pripremne radnje u skladu s uputama u odjeljku "Upute za sigurnost i očuvanje okoliša" i "Instalacija".

- Proizvod pustite neka radi bez da ste u njega stavili hranu i otvarali vrata 6 sati, osim ako je to neophodno.
- Promjena temperature do koje dolazi zbog otvaranja i zatvaranja vrata kada se proizvod koristi mogu izazvati kondenzaciju na vratima/ policama i u staklenom posuđu koje se nalaze u proizvodu, što je posve normalno.



Čut ćete zvuk kada je kompresor uključen. Normalno je da proizvod stvara zvukove čak i kad kompresor ne radi, jer su tekućina i plin komprimirani u rashladnom sustavu.



Normalno je da prednji rubovi hladnjaka budu topli. Ova područja su i dizajnirana tako da se zagriju zbog izbjegavanja kondenzacije.



Kod nekih modela, ploča s pokazateljima automatski se isključuje 1 minutu nakon zatvaranja vrata. Ponovno će se aktivirati kada se otvore vrata ili pritisne bilo koji gumb.

### 5.3 Klimatski razred i definicije

Pogledajte klimatski razred na nazivnoj pločici uređaja. Jedna od sljedećih informacija odnosi se na vaš uređaj u skladu s klimatskim razredom.

- **SN** Dugotrajna umjerena klima: Ovaj rashladni uređaj namijenjen je za upotrebu na mjestima s temperaturom okoliša između 10 °C i 32 °C.
- **N**: Umjerena klima: Ovaj rashladni uređaj namijenjen je za upotrebu na mjestima s temperaturom okoliša između 16°C i 32 °C.
- **ST**: Suptropska klima: Ovaj rashladni uređaj namijenjen je za upotrebu na mjestima s temperaturom okoliša između 16°C i 38°C.
- **T**: Tropska klima: Ovaj rashladni uređaj namijenjen je za upotrebu na mjestima s temperaturom okoliša između 16°C i 43°C.

HR

## 6 Rukovanje proizvodom



Prvo pročitajte „Sigurnosne upute“!

- Ne koristite nikakve mehaničke alate ili druge alate osim onih koje je preporučio proizvođač za ubrzavanje postupka odmrzavanja.
- Ne koristite dijelove hladnjaka poput vrata ili ladicica kao pomoć u ovom koraku. To može i izazvati prevrtanje proizvoda ili oštećenje njegovih dijelova.
- Proizvod se treba koristiti samo za čuvanje hrane.

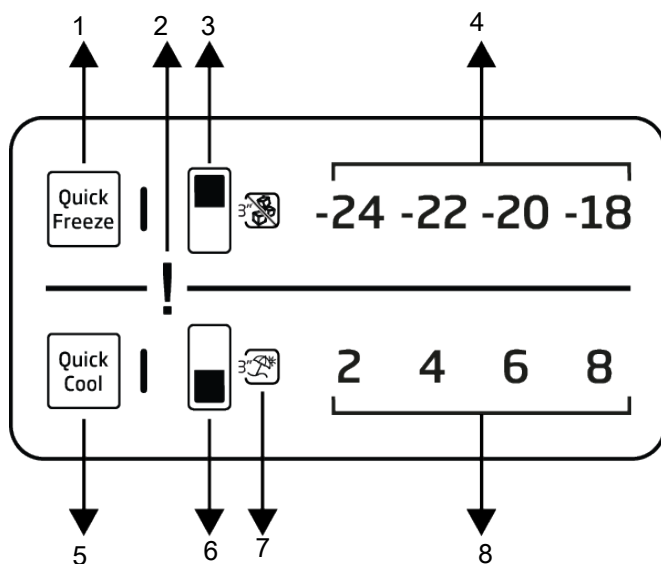
- Zatvorite ventil za vodu, ako ćete duže vrijeme izbiti od kuće (npr. godišnji odmor) i ako nećete koristiti ledomat Icematic ili dozator vode duže vrijeme. U protivnom može doći do curenja vode.

### Iskopčavanje proizvoda

- Ako proizvod nećete koristiti duže vrijeme, iskopčajte ga iz strujne utičnice.
- Izvadite hranu i tako spriječite stvaranje neugodnog mirisa,
- Pričekajte dok se led ne otopi, očistite unutrašnjost i pustite neka se osuši, ostavite vrata otvorena i tako spriječite oštećenje unutarnje plastike kućišta.

## 7 Upravljačka ploča proizvoda

HR



- 1 Gumb brzog zamrzavanja
- 2 \* Indikator statusa pogreške
- 3 Gumb podešavanja temperature odjeljka zamrzivača
- 4 Indikator podešene temperature odjeljka za zamrzavanje
- 5 Gumb brzog hlađenja
- 6 Gumb podešavanja temperature odjeljka hladnjaka
- 7 \*Pokazatelj funkcije odmora
- 8 Indikator podešene temperature odjeljka hladnjaka

 **Prvo pročitajte „Sigurnosne upute“.**

\*Dodatno: Prikaz funkcija je dodatan, mogu postojati razlike u obliku i mjestu funkcija koje se nalaze na ploči s indikatorima uređaja.

Zvučne i vizualne funkcije ploče s pokazateljima pomoći će vam prilikom korištenja hladnjaka.

### 1. Gumb brzog zamrzavanja

Kada je pritisnut gumb brzog zamrzavanja tada se funkcija brzog zamrzavanja aktivira. Ponovno pritisnite gumb i poništite funkciju. Osim ako se ne pritisne gumb za poništavanje, funkcija brzog zamrzavanja automatski će se deaktivirati nakon prethodno postavljenog vremena. Za zamrzavanje velike količine svježih hrane pritisnite gumb brzog zamrzavanja prije nego što namirnice stavite u odjeljak zamrzivača.



## 2. \* Indikator statusa pogreške

Ovaj indikator je uključen kada hladnjak ne hladi adekvatno ili kada dođe do greške senzora.

## 3. Gumb podešavanja temperature odjeljka zamrzivača

Ova vam funkcija omogućuje podešavanje temperature u odjeljku zamrzivača. Pritisnite ovaj gumb i podesite odjeljak zamrzivača na -18, -20, -22 i -24.

## 4. Indikator podešene temperature odjeljka za zamrzavanje

Postavljena temperatura odjeljka zamrzivača prikazuje se kao -18°C, -20°C, -22°C i -24°C.

## 5. Gumb brzog hlađenja

Kada je pritisnut gumb brzog hlađenja tada se funkcija brzog hlađenja aktivira. Ponovno pritisnite gumb i poništite funkciju. Osim ako se ne pritisne gumb za poništavanje, funkcija brzog hlađenja automatski će se deaktivirati nakon prethodno postavljenog vremena.

# 8 Upotreba uređaja

## 8.1 Zamjena svjetla

Kada trebate zamijeniti žarulju/LED svjetlo u hladnjaku tada nazovite ovlašteni servis. Žaruljice koje se koriste u ovom uređaju ne mogu se koristiti za rasvjetu kućanstva. Namjena ove žaruljice je pomoći korisniku sigurno i praktično staviti hranu u hladnjak/zamrzivač.

## 8.2 Upozorenje za otvorena vrata

Sustav upozorenja na otvorena vrata vašeg hladnjaka može se razlikovati ovisno o modelu.

### Verzija 1;

Ako vrata proizvoda ostanu otvorena određeno vrijeme (između 60 i 120 s), aktivira se zvučni signal upozorenja; ovisno o modelu proizvoda, može se prikazati i

## 6. Gumb podešavanja temperature odjeljka hladnjaka

Ova vam funkcija omogućuje podešavanje temperature u odjeljku hladnjaka. Pritisnite ovaj gumb i podesite odjeljak hladnjaka na -8, -6, -4 i -2.

## 7. \*Pokazatelj funkcije odmora

Za aktiviranje funkcije godišnjeg odmora pritisnite gumb na 3 sekunde. Aktiviran je način rada za odmor, a za to vrijeme rashladni odjeljak ne vrši aktivno hlađenje. Kada je aktivirana ova funkcija ne biste trebali držati namirnice u odjeljku hladnjaka. Ostali odjeljci nastavit će hladiti u skladu s prije podešenom temperaturom. Za poništenje ove funkcije ponovno pritisnite gumb na 3 sekunde.

## 8. Indikator podešene temperature odjeljka hladnjaka

Postavljena temperatura odjeljka hladnjaka prikazuje se kao 2°C, 4°C, 6°C i 8°C.

vizualni signal upozorenja (bljesak). Ako zatvorite vrata uređaja ili pritisnete gumb na zaslonu uređaja, zvuk upozorenja će prestati.

### Verzija 2;

Ako vrata uređaja ostanu otvorena određeno vrijeme (između 60 i 120 s), aktivira se upozorenje na otvorena vrata. Upozorenje na otvorena vrata aktivira se postupno. Prvo se počinje aktivirati zvučno upozorenje. Nakon 4 minute, ako vrata i dalje nisu zatvorena, aktivira se vizualno upozorenje (bljesak). Upozorenje na otvorena vrata odgađa se određeno vrijeme (između 60 i 120 s) kada se pritisne bilo koji gumb na zaslonu proizvoda. Tada proces kreće ispočetka. Kada se vrata uređaja zatvore, upozorenje na otvorena vrata će se poništiti.

## 9 Značajke proizvoda

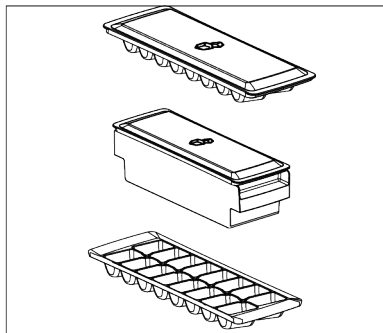
### 9.1 Prostor za skladištenje leda

#### Spremnik za led

Posuda za led omogućuje vam lako vađenje leda iz hladnjaka.

#### Uporaba posude za led

1. Izvadite posudu za led iz odjeljka zamrzivača.
2. Napunite posudu za led vodom.
3. Stavite posudu za led u odjeljak zamrzivača. Led će biti spreman nakon približno dva sata.
4. Izvadite posudu za led iz odjeljka zamrzivača i lagano je savinite preko posude u kojoj ćete ga poslužiti. Led će jednostavno ispasti u posudu za serviranje.



### 9.2 Držać za jaja

Držać za jaja možete postaviti na vrata ili policu kućišta po želji.

Ako se držać za jaja postavlja na policu kućišta, preporučujemo da odaberete hladnije donje police.



**Nikada ne stavljajte držać jaja na odjeljak zamrzivača**

### 9.3 Posuda za povrće

Posuda za povrće u hladnjaku dizajnirana je za održavanje povrća u posudi svježim održavajući njihovu vlažnost. U ovo svrhu, cirkulacija hladnog zraka se pojačava oko posude za povrće. Voće i/ili povrće bi trebalo biti pohranjeno u ovom odjeljku.

Zeleno lisnato povrće i voće držite odvojeno i tako produžite njihov vijek trajanja.

### 9.4 Tehnologija posude za povrće

#### Plavo svjetlo

Voće i povrće koje se čuva u posudama za voće i povrće osvijetljenim plavim svjetlom nastavljaju s procesom fotosinteze pomoću efekta valne duljine plavog svjetla i tako zadržavaju udio vitamina.

#### HarvestFresh

Voće i povrće koje se čuva u posudama za povrće osvijetljenim tehnologijom HarvestFresh zadržava svoje vitamine duže vrijeme zahvaljujući ciklusima plavog, zelenog, crvenog svjetla i tame, što simulira dnevni ciklus.

Kada otvorite vrata hladnjaka kada je aktivan tamno razdoblje tehnologije HarvestFresh, tada hladnjak to automatski prepoznaje i osvjetljava posudu za povrće s plavim, zelenim ili crvenim svjetlom. Nakon što zatvorite vrata hladnjaka, period mraka će se nastaviti, predstavljajući period noći tokom dnevnog ciklusa.

### 9.5 Prostor rashladnika za mliječne proizvode

#### Ladica rashladnika

Ladica rashladnika može postići niske temperature u odjeljku hladnjaka. Ovu ladicu koristite za delikatesne proizvode (salame, kobasice, itd.) i mliječne proizvode koji zahtijevaju hladnije uvjete čuvanja te za meso, piletinu ili ribu koju treba brzo konzumirati. Ova ladica nije prikladna za čuvanje voća i povrća.

## 9.6 Odjeljak na dnu hladnjaka za voće i povrće sa kontroliranom vlažnosti zraka

### Everfresh

S funkcijom posude za voće i povrće sa kontroliranom vlažnosti zraka, vlažnost voća i povrća održava se pod kontrolom i hrana je svježija duže vrijeme.

Lisnato povrće, poput salate, špinata i sličnog povrća koje je osjetljivo na gubitak vlage preporučujemo staviti u posudu za povrće i to ne u okomiti položaj tako da je korijenje na dnu već što je moguće u vodoravniji položaj.

Kada stavljate povrće, teško i tvrdo povrće stavite na dno, a lagano i mekano na vrh vodeći računa o specifičnoj težini povrća.

## 10 Čišćenje i održavanje



### UPOZORENJE:

Prvo pročitajte „Sigurnosne upute“.



### UPOZORENJE:

Prije čišćenja hladnjak iskopčajte iz strujne utičnice.

- Ne koristite oštre ili abrazivne alate za čišćenje proizvoda. Ne koristite materijale poput sredstva za čišćenje namijenjena kućanstvima, sapun, deterdžente, plin, benzin, razrjeđivač, alkohol, vosak, itd.
- Barem jednom godišnje očistite prašinu nakupljenu na rešetki ventilacije na stražnjoj strani proizvoda (bez otvaranja poklopca). Proizvodi očistite vlažnom krpom.
- Pazite da voda ne dođe u kontakt s poklopcem žaruljice i drugim električnim dijelovima.
- Vrata očistite vlažnom krpom. Uklonite sav sadržaj kako biste uklonili vrata i držače kućišta. Držače kućišta uklonite podizanjem prema gore. Očistite i osušite police, a zatim ih vratite na njihovo mjesto klizanjem od gore.

Nikad ne stavljajte u posudu za povrće lisnato povrće koje je u plastičnim vrećicama. Ako ih ostavite u plastičnim vrećicama to će izazvati brzo propadanje povrća.

U slučaju kada se ne preporučuje kontakt s drugim povrćem, tada koristite ambalažne materijale poput papira koji imaju određenu razinu poroznosti kada je riječ o higijeni.

Ne stavljajte voće koje stvara velike količine plina etilena poput kruške, marelice, breskve te posebno jabuke u istu posudu za voće i povrće s drugim voćem i povrćem. Plin etilen koji izlazi iz tog voća može izazvati brže sazrijevanje drugog voća i povrća i brže propadanje.

- Ne koristite kloriranu vodu ili proizvode za čišćenje na vanjskoj površini i kromiranim dijelovima proizvoda. Klor izaziva hrđu na takvim metalnim površinama.
- Ne koristite oštre i abrazivne alate, sapun, sredstva za čišćenje namijenjena primjeni u kućanstvu, deterdžente, plin, benzin, lak ili slične tvari za sprječavanje iskrivljenja plastičnog dijela ili za uklanjanje mrlja na tom dijelu. Za čišćenje koristite toplu vodu i mekanu krpu te ga osušite brisanjem.
- Za proizvode bez funkcije nenakupljanja leda (No Frost) kapljice vode i inje debljine prsta mogu se nakupiti na stražnjoj stijenci odjeljka zamrzivača. Ne čistite ga i nikad ne nanosite ulje ili slična sredstva.
- Koristite vlažnu krpu od mikrovlakana i očistite vanjsku površinu proizvoda. Spužve i slične vrste krpa za čišćenje mogu ogrepsti površinu.
- Za čišćenje svih dijelova koji se mogu ukloniti kada se čisti unutarnja površina proizvoda, operite ove dijelove blagom otopinom koja sadrži sapun, vodu i sodu

bikarbonu. Dobro isperite i osušite. Spriječite kontakt vode i rasvjetnih dijelova te upravljačke ploče.



**OPREZ:**

Za čišćenje unutarnjih površina ne koristite ocat, alkohol za čišćenje ili druga sredstva za čišćenje koja sadrže alkohol.

**Vanjske površine od nehrđajućeg čelika**

Koristite neabrazivno sredstvo za čišćenje od nehrđajućeg čelika i nanesite ga s mekom krpom koja ne ispušta vlakna. Za poliranje, lagano obrišite površinu s krpom od mikrovlakana namočenu vodom te koristite krpom od jelenje kože za suho poliranje. Uvijek pratite crte na nehrđajućem čeliku.

## 11 Rješavanje problema

Provjerite popis prije nego što kontaktirate servis. To vam može uštedjeti vrijeme i novac. Ovaj popis uključuje česte problema koji nisu nastali zbog neispravne izrade ili materijala. Neke ovdje navedene funkcije možda se ne odnose na vaš proizvod.

**Hladnjak ne radi.**

- Strujni utikač nije potpuno ukopčan. >>> Ukopajte ga tako da potpuno uđe u utičnicu.
- Osigurač povezan s utičnicom koja napaja proizvod ili glavni osigurač su pregorjeli. >>> Provjerite osigurač.

**Kondenzacija na bočnoj stijenci odjeljka hladnjaka (MULTIZONA, UPRAVLJANJE RASHLAĐIVANJEM i FLEKSI ZONA).**

- Vrata se često otvaraju. >>> Pripazite i ne otvarajte vrata proizvoda prečesto.
- Okruženje je prevlažno. >>> Ne instalirajte proizvod u vlažnom okruženju.
- Hrana koja sadrži tekućine čuva se u nezatvorenim posudama. >>> Hranu koja sadrži tekućinu držite u zatvorenim posudama.

**Sprječavanje neugodnih mirisa**

Ovaj proizvod proizveden je bez upotrebe materijala koji mogu stvarati neugodne mirise. Međutim, držanje hrane u neodgovarajućim dijelovima i neispravno čišćenje unutarnjih površina mogu rezultirati stvaranjem neugodnih mirisa.

- Izbjegnite ovo tako što ćete unutrašnjost čistiti vodom i sodom bikarbonom svakih 15 dana.
- Hranu držite u zatvorenim posudama, jer mikroorganizmi koji nastaju u hrani koja se čuva u nezatvorenim posudama izazivaju neugodni miris.
- U hladnjaku ne čuvajte hranu kojoj je istekao rok trajanja i pokvarenu hranu.

**Zaštita plastičnih površina**

Ulje proliveno po plastičnim površinama može ih oštetiti i mora se odmah očistiti s toplom vodom.

- Vrata proizvoda su ostavljena otvorena. >>> Ne držite vrata proizvoda otvorena dulje vrijeme.
- Termostat je podešen na iznimno nisku temperaturu. >>> Podesite termostat na odgovarajuću temperaturu.

**Kompresor ne radi.**

- U slučaju iznenadnog nestanka struje ili izvlačenja strujnog utikača i ponovnog ukopčavanja u strujnu utičnicu, tlak plina u rashladnom sustavu proizvoda nije uravnotežen, što aktivira toplinsku zaštitu kompresora. Proizvod će ponovno početi s radom za približno 6 minuta. Ako proizvod ne počne ponovno s radom u ovom vremenu, kontaktirajte servis.
- Odmrzavanje je aktivno. >>> To je normalno za proizvode s funkcijom potpunog automatskog odmrzavanja. Odmrzavanje se obavlja povremeno.
- Proizvod nije uključen strujnu utičnicu. >>> Vodite računa o tome da je strujni kabel uključen u struju utičnicu..
- Podešena temperatura nije ispravna. >>> Odaberite odgovarajuću postavku temperature.

- Nema struje. >>> Proizvod će nastaviti normalno raditi kada se struja vrati.

### **Zvuk koji stvara hladnjak pojačava se tijekom rada.**

- Radna svojstva proizvoda mogu se razlikovati ovisno o razlikama u temperaturi okruženja. To je normalno i ne predstavlja kvar.

### **Hladnjak radi prečesto ili predugo.**

- Novi proizvod može biti veći od prethodnog. Veći proizvodi mogu raditi duže vrijeme.
- Sobna temperatura možda je previsoka. >>> Proizvod će obično raditi duže vrijeme kada je sobna temperatura viša.
- Proizvod je možda nedavno ukopčan u strujnu utičnicu ili je nova hrana stavljena u njega. >>> Proizvodu će trebati više vremena da postigne podešenu temperaturu ako je nedavno ukopčan u strujnu utičnicu ili je u njega stavljena nova hrana. To je normalno.
- Velike količine vruće hrane možda su nedavno stavljene u proizvod. >>> Ne stavljajte vruće namirnice u proizvod.
- Vrata su se često otvarala ili su ostavljena otvorena duže vrijeme. >>> Topli zrak ulazi unutra i izaziva duži rad proizvoda. Ne otvarajte često vrata.
- Vrata zamrzivača ili hladnjaka možda su odškrinuta. >>> Provjerite jesu li vrata dobro zatvorena.
- Proizvod je možda podešen na prenisu temperaturu. >>> Podesite temperaturu na viši stupanj i pričekajte dok proizvod ne postigne podešenu temperaturu.
- Brtva na vratima zamrzivača ili hladnjaka možda je prljava, istrošena, slomljena ili nije dobro stavljena. >>> Očistite ili zamijenite brtvu. Oštećena/istrošena brtva na vratima bit će uzrok dužeg rada proizvoda kako bi se očuvala trenutna temperatura.

### **Temperatura zamrzivača je iznimno niska, a temperatura hladnjaka je odgovarajuća.**

- Temperatura odjeljka zamrzivača je podešena na iznimno niski stupanj. >>> Podesite temperaturu odjeljka zamrzivača na viši stupanj i provjerite ponovno.

### **Temperatura hladnjaka je iznimno niska, a temperatura zamrzivača je odgovarajuća.**

- Temperatura odjeljka hladnjaka je podešena na iznimno niski stupanj. >>> Podesite temperaturu odjeljka hladnjaka na viši stupanj i provjerite ponovno.

### **Hrana koja se čuva u ladicama odjeljka hladnjaka se zamrzla.**

- Temperatura odjeljka hladnjaka je podešena na iznimno niski stupanj. >>> Podesite temperaturu odjeljka hladnjaka na viši stupanj i provjerite ponovno.

### **Temperatura na hladnjaka ili zamrzivača je previsoka.**

- Temperatura odjeljka hladnjaka je podešena na iznimno visok stupanj. >>> Postavka temperature odjeljka hladnjaka utječe na temperaturu odjeljka zamrzivača. Pričekajte dok temperatura odgovarajućih dijelova ne postigne dovoljnu razinu promjenom temperature odjeljka hladnjaka i zamrzivača.
- Vrata su se često otvarala ili su ostavljena otvorena duže vrijeme. >>> Ne otvarajte često vrata.
- Vrata su možda odškrinuta. >>> Dobro zatvorite vrata.
- Proizvod je možda nedavno ukopčan u strujnu utičnicu ili je nova hrana stavljena u njega. >>> To je normalno. Proizvodu će trebati više vremena da postigne podešenu temperaturu ako je nedavno ukopčan u strujnu utičnicu ili je u njega stavljena nova hrana.
- Velike količine vruće hrane možda su nedavno stavljene u proizvod. >>> Ne stavljajte vruće namirnice u proizvod.

### Trešnja ili buka.

- Površina nije ravna ili izdržljiva>>>Ako se proizvod tresne kada se lagano pomiče, tada podesite podesite postolje i uravnotežite proizvod. Također, provjerite je li pod dovoljno izdržljiv da može podnijeti težinu proizvoda.
- Svaki predmet koji se stavi na proizvod može stvarati zvuk. >>> Uklonite sve predmete s proizvoda.
- Proizvod stvara zvuk protoka tekućine, prskanja, itd.
- Rad proizvoda uključuje protok tekućine i plina. >>> To je normalno i ne predstavlja kvar.

### Iz proizvoda dolazi zvuk sličan puhanju vjetra.

- Proizvod koristi ventilator za proces hlađenja. To je normalno i ne predstavlja kvar.

### Na unutarnjim stijenkama proizvoda pojavila se kondenzacija.

- Vruće ili vlažno vrijeme povećat će pojavu inja i kondenzaciju. To je normalno i ne predstavlja kvar.
- Vrata su se često otvarala ili su ostavljena otvorena duže vrijeme. >>> Ne otvarajte često vrata; ako su otvorena, zatvorite ih.
- Vrata su možda odškrinuta. >>> Dobro zatvorite vrata.

### Na vanjskim stijenkama proizvoda pojavila se kondenzacija ili između vrata.

- Vrijeme u okruženju je možda vlažno, to je potpuno normalno kada je vlažno vrijeme. >>> Kondenzacija će ispariti kada se smanji vlažnost.

### Unutrašnjost ružno miriše.

- Proizvod se ne čisti redovito. >>> Redovito čistite unutrašnjost pomoću spužve, tople vode i sobom bikarbonom.

- Neke posude i ambalažni materijali mogu stvarati neugodni miris. >>> Koristite posude i ambalažne materijale koji ne stvaraju neugodne mirise.
- Hrana se čuva u nezatvorenim posudama. >>> Hranu držite u zatvorenim posudama. Mikroorganizmi se mogu raširiti iz nezatvorenih namirnica i izazvati neugodne mirise.
- Iz proizvoda uklonite hranu kojoj je istekao rok trajanja ili koja se pokvarila.

### Vrata se ne zatvaraju.

- Pakiranja hrane možda blokiraju vrata. >>> Preraspodijelite hranu koja blokira vrata.
- Proizvod ne stoji potpuno uspravno na podu. >>> Podesite postolje i uravnotežite proizvod.
- Površina nije ravna i izdrživa >>> Pripazite da je površina ravna i da može izdržati težinu proizvoda.

### Posuda za povrće se zaglavila.

- Hrana možda dira gornji dio ladice. >>> Reorganizirajte hranu u ladici.

### Temperatura na površini proizvoda

- Visoka temperatura može se pojaviti između dva vrata, na bočnim pločama i na stražnjoj rešetki kada proizvod radi. Ovo je normalno i ne zahtjeva servisno održavanje.

### Ventilator nastavlja s radom kada su vrata otvorena.

- Ventilator može nastaviti s radom kada su otvorena vrata zamrzivača.



**UPOZORENJE:** Ako se problem ne riješi nakon primjene uputa iz ovog dijela, kontaktirajte prodavača ili ovlaštenu servis. Ne pokušavajte popraviti proizvod. To je normalno.

## ODRICANJE OD ODGOVORNOSTI / UPOZORENJE

Neke (jednostavne) kvarove može riješiti sam krajnji korisnik bez ikakvih sigurnosnih problema ili opasnosti koje mogu iskrnuti

uz uvjet da je to obavljeno u granicama i u skladu sa sljedećim uputama (pogledajte dio „Samopomoć“).

Stoga, osim ako nije drukčije određeno u donjem dijelu „Samopomoći“ popravke trebaju obaviti registrirani stručni servisi kako bi se izbjegli problemi sa sigurnosti. Registrirani stručni servis je stručni servis kojem je proizvođač odobrio pristup uputama i popisu rezervnih dijelova za ovaj proizvod u skladu s metodama opisanim u zakonskim aktima u skladu s Direktivom 2009/125/EC.

**Međutim, samo servisni zastupnik (tj. ovlaštteni stručni servisi) kojeg možete kontaktirati na telefonski broj naveden u korisničkom priručniku/jamstvenom listu ili ovlaštteni zastupnik mogu obaviti servis u skladu s uvjetima jamstva.**

**Stoga, upozoravamo vas kako će popravci koje su obavili stručni servisi (koje nije ovlastila tvrtka) Beko poništiti jamstvo.**

#### **Samostalni popravak**

Popravak može obaviti i sam krajni korisnik koristeći sljedeće rezervne dijelove: ručke vrata, šarke vrata, posude, košare i brtvu na vratima (ažurirani popis dostupan je i na internetskim stranicama support.beko.com od 1. ožujka 2021.).

Uz to, kako bi se osigurala sigurnost proizvoda i spriječila opasnost od teških ozljeda, spomenut popravak kojeg može obaviti sam korisnik treba se obaviti pridržavajući se sljedećih uputa u korisničkom priručniku za samostalni popravak ili uputea koje su dostupne na internetskim

stranicamasupport.beko.com . Zbog vaše sigurnosti, iskopčajte proizvod iz strujne utičnice prije pokušaja obavljanja samostalnog popravka.

Popravak i pokušaj popravka koje obavljaju krajnji korisnici za dijelove koji nisu uključeni na popis i/ili ako se ne pridržavaju uputa u korisničkom priručniku ili onih dostupnih na internetskim stranicamasupport.beko.com,, mogu izazvati sigurnosne problema koji se ne mogu pripisati tvrtkiBeko te koji će poništiti jamstvo proizvoda.

Stoga, izričito se preporučuje da se krajnji korisnici suzdrže od pokušaja popravka koji ne uključuje spomenuti popis rezervnih dijelova te da u tom slučaju kontaktiraju ovlaštene stručne servise ili registrirane stručne servise. U suprotnom, takvi pokušaji koje poduzmu krajnji korisnici mogu izazvati sigurnosne probleme i oštetiti proizvod te posljedično izazvati požar, poplavu, smrt zbog strujnog udara i teške tjelesne ozljede.

Na primjer, ali ne ograničavajući se na, sljedeće popravke moraju obaviti ovlaštteni profesionalni serviseri ili registrirani profesionalni serviseri: kompresor, rashladni krug, glavna ploča, ploča invertera, ploča zaslona itd.

Proizvođač/prodavač neće se smatrati odgovornim u slučaju da krajnji korisnici ne poštuju gore navedeno.

Dostupnost rezervnih dijelova hladnjaka kojeg ste kupili je 10 godina. Tijekom ovom razdoblja, rezervni će dijelovi biti dostupni za ispravan rad hladnjaka.

Minimalno trajanje jamstva hladnjaka kojeg ste kupili je 24 mjeseca.

Ovaj proizvod opremljen je rasvjetom energetskog razreda „G“.

Izvor rasvjete u ovom proizvodu treba zamijeniti samo profesionalni serviser.

