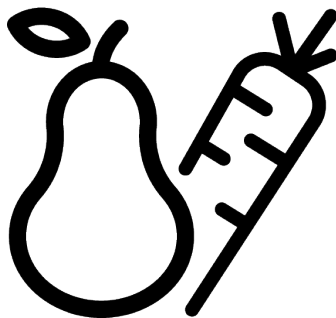


beko

Refrigerator / User Manual
Congélateur / Réfrigérateur / Manuel d'utilisation
Хладилник / Ръководство за употреба



B3RCNE364HDS

5 87674 0000/ EN/ FR/ BG/ 1/3_AE/ 19/09/23 16:15
7282943713



Please read this manual first!

Dear Customer

Please read this manual before using the product.

Thank you for choosing this Beko product. We would like you to achieve the optimal efficiency from this high quality product which has been manufactured with state of the art technology. To do this, carefully read this manual and any other documentation provided before using the product and keep it as a reference.

Heed all information and warnings in the user manual. This way, you will protect yourself and your product against the dangers that may occur.

Keep the user manual. Include this manual with the unit if you hand it over to someone else.

The following symbols are used in the user manual:



Hazard that may result in death or injury.



Important information or useful tips on operation.



Read the user manual.



Combustible material, warning against fire hazard.

NOTICE A hazard that may cause material damage to the product or its surroundings


  SUPPLIER'S NAME  MODEL IDENTIFIER → (*) 	<p>The model information as stored in the product data base can be reached by entering following website and searching for your model identifier (*) found on energy label.</p> <p>https://eprel.ec.europa.eu/</p>
--	--

Table of Contents

1	Safety Instructions.....	4
1.1	Intention of Use	4
1.2	Safety of Children, Vulnerable Persons and Pets	4
1.3	Electrical Safety.....	5
1.4	Handling Safety	6
1.5	Installation Safety.....	6
1.6	Operational Safety.....	8
1.7	Food Storage Safety.....	10
1.8	Maintenance and Cleaning Safety	11
1.9	Disposal of the Old Product.....	12
2	Environmental Instructions.....	12
2.1	Compliance with the WEEE Dir- ective and Disposing of the Waste Product	12
3	Your Refrigerator	13
4	Installation	13
4.1	Right Place For Installation.....	13
4.2	Electrical Connection	14
4.3	Adjusting the Legs.....	14
4.4	Hot Surface Warning.....	14
5	Preparation.....	15
5.1	What To Do For Energy Saving	15
5.2	First Use	15
5.3	Climate Class and Definitions	16
6	Operating the Product.....	16
7	Use of Your Appliance.....	17
7.1	Control Panel of the Product	17
7.2	Storing Food in the Cooler Com- partment.....	18
7.3	Crisper Technologies	22
7.4	Dairy Products Cold Storage Area	23
7.5	Reversing the Door Opening Side.	23
7.6	Door Open Alert	23
7.7	Replacing the Illumination Lamp..	23
7.8	Using the Water Dispenser	23
8	Maintenance and Cleaning	26
9	Troubleshooting.....	27

1 Safety Instructions

- This section includes the safety instructions necessary to prevent the risk of personal injury or material damage.
- Our company shall not be held responsible for damages that may occur if these instructions are not observed.



Always have installation and repair operations performed by manufacturer, authorized service or a person who will be described by importer company.



Use original spare parts and accessories only.



Do not repair or replace any component of the product unless it is clearly specified in the user manual.



Do not perform any modifications on the product.

1.1 Intention of Use

- This product is not suitable for commercial use and should not be used for a purpose other than its intended use.
- This product is intended for operating interiors, such as households or similar.

For example;

In the staff kitchens of the stores, offices and other working environments,

In farm houses,
In the units of hotels, motels or other resting facilities that are used by the customers,
In hostels, or similar environments,
In catering services and similar non-retail applications.

- This product shall not be used in open or enclosed external environments such as vessels, camper vans, balconies or terraces. Exposing the product to rain, snow, sunlight and wind may cause risk of fire.



1.2 Safety of Children, Vulnerable Persons and Pets

- This product may be used by children aged 8 years and older and persons with underdeveloped physical, sensory or mental capabilities or lack of experience and knowledge if they are being supervised or have been given instruction concerning use of the appliance in a safe way and the hazards involved.
- Children between 3 and 8 years are allowed to put and take out food into/from the cooler product.

- Electrical products are dangerous for children and pets. Children and pets must not play with, climb on, or enter the product.
- Cleaning and user maintenance should not be performed by children unless there is someone overseeing them.
- Keep the packaging materials away from children. Risk of injury and suffocation.

Before disposing of old products that shall not be used any more:

1. Unplug the power cord from the mains socket.
 2. Cut the power cable and remove it from the appliance together with the plug.
 3. Do not remove the racks and drawers from the product to prevent children from getting inside the appliance.
 4. Remove the doors.
 5. Store the product so that it shall not be tipped over.
 6. Do not allow children to play with the scrapped product.
- Do not dispose of the product by throwing it into fire. Risk of explosion.
 - If there is a lock available on the product's door, keep the key out of children's reach.



1.3 Electrical Safety

- The product shall not be plugged into the outlet during installation, maintenance, cleaning, repair, and transportation operations.
- If the power cable is damaged, it shall only be replaced by authorized service to avoid any risks that may occur.
- Do not tuck the power cable under the product or to the rear of the product. Do not put heavy items on the power cable. The power cable should not be bent, crushed, and come into contact with any heat source.
- Do not use an extension cord, multi-plug or adaptor to operate your product.
- Portable multi-plugs or portable power supplies may overheat and cause fire. Thus, do not have a multi-plug, portable power sources behind or in the vicinity of the product.
- Do not plug the product's power cord in a loose or damaged power outlet. These types of connections may overheat and cause fire.
- The plug shall be easily accessible. If this is not possible, a mechanism that meets the electrical legislation and that

disconnects all terminals from the mains (fuse, switch, main switch, etc.) shall be available on the electrical installation.

- Do not touch the plug with wet hands.
- When unplugging the appliance, don't hold the power cord, but the plug.

1.4 Handling Safety

- Make sure to unplug the appliance before carrying the product.
- This product is heavy, do not handle it by yourself. Injuries may occur if the product falls on you. Do not bump into places or drop the product while transporting it.
- Always close the doors and do not hold the product by its doors while transporting it.
- Be careful not to damage the cooling system and the pipes while handling the product. Do not operate the product if the pipes are damaged, and contact an authorized service.

1.5 Installation Safety

- Contact the Authorized Service for the product's installation. To prepare the product for use, see the information in the user manual and make sure the electric and water utilities are

as required. If not, call a qualified electrician and plumber to arrange the utilities as necessary. Failure to do so may result in electric shock, fire, problems with the product, or injury.

- The product is designed for use in areas 2000 metres below sea level.
- Check for any damage on the product before installing it. Do not have the product installed if it is damaged.
- Always use personal protective equipment (gloves, etc.) during product installation, maintenance and repair. Risk of Injury!
- Place the product on a clean, level and hard surface and balance it with the adjustable legs (by rotating the front feet to the right or left). Otherwise, the refrigerator may tip over and cause injuries.
- The product shall be installed in a dry and ventilated environment. Do not keep carpets, rugs or similar covers under the product. This may cause risk of fire as a result of inadequate ventilation!
- Do not block or cover ventilation holes. Otherwise, power consumption increases and your product may be damaged.

- When placing the product, make sure that the supply cable is not damaged or pinched.
- The product must not be connected to supply systems such as solar power supply. Otherwise, your product may be damaged due to sudden voltage changes!
- The more refrigerant a refrigerator contains, the bigger its installation room should be. In very small rooms, a flammable gas-air mixture may occur in case of a gas leak in the cooling system. At least 1 m³ of volume is required for each 8 grams of refrigerant. The amount of the refrigerant available in your product is specified in the Type Label.
- The installation place of the product shall not be exposed to direct sunlight and it shall not be in the vicinity of a heat source such as stoves, radiators, etc. If you cannot prevent installation of the product in the vicinity of a heat source, use a suitable insulation plate and make sure the minimum distance to the heat source is as specified below:
 - At least 30 cm away from heat sources such as stoves, ovens, heating units and heaters, etc.,
 - And at least 5 cm away from electrical ovens.
- Your product has the protection class of I.
- Plug the product in a grounded socket that conforms with the Voltage, Current and Frequency values specified in the type label. The socket must have a 10A – 16A fuse. Our firm will not assume responsibility for any damages due to usage without earthing and without power connection in compliance with local and national regulations.
- The product's power cable must be unplugged during installation. Otherwise, risk of electric shock and injury may occur!
- Do not plug the product's power cord in loose, dislocated, broken, dirty, oily power outlets which have a risk of water contact. These types of connections may cause overheating and fire.
- Place the power cable and hoses (if any) of the product so that they shall not cause a risk of tripping over.

- Penetration of humidity and liquid to live parts or to the power cord may cause short circuit. Thus, do not use the product in humid environments or in areas where water may splash (e.g. garage, laundry room, etc.) If the refrigerator is wet by water, unplug it and contact an authorized service.
- Do not ever connect your refrigerator to power saving devices. These systems are harmful for the product.
- There is a risk of contact with electrical parts when removing the electronic board cover and the compressor rear cover (if fitted). Do not remove the electronic board cover and the compressor rear cover (if fitted). There is a risk of electrocution!
- Do not place a source of flame (e.g. candles, cigarettes, etc.) on the product or in the vicinity of it.
- Do not get on the product. Risk of falling and injury!
- Do not cause damage to the pipes of the cooling system using sharp and piercing tools. The refrigerant that sprays out in case of puncturing the gas pipes, pipe extensions or upper surface coatings may cause irritation of skin and injury to the eyes.
- Do not place and operate electrical appliances inside the refrigerator/freezer unless it is advised by the manufacturer.
- Do not jam any parts of your hands or your body to the moving parts inside the product. Be careful to prevent jamming of your fingers between the refrigerator and its door. Be careful while opening or closing the door if there are children around.
- Do not put ice cream, ice cubes or frozen food to your mouth as soon as you take them out of the freezer. Risk of frostbite!

1.6 Operational Safety

- Do not ever use chemical solvents on the product. These materials contain an explosion risk.
- In case of a failure of the product, unplug it and do not operate until it is repaired by the authorized service. There is a risk of electric shock!

- Do not touch the inner walls, metal parts of the freezer or food kept inside the freezer with wet hands. Risk of frost-bite!
- Do not place soda cans or cans and bottles that contain fluids that may be frozen to the freezer compartment. Cans or bottles may explode. Risk of injury and material damage!
- Do not use or place materials sensitive against temperature such as flammable sprays, flammable objects, dry ice or other chemical agents in the vicinity of the refrigerator. Risk of fire and explosion!
- Do not store explosive materials such as aerosol cans with flammable materials inside the product.
- Do not place cans containing fluids over the product an open state. Splashing of water on an electrical part may cause an electric shock or a fire.
- This product is not intended for storage and cooling of medicines, blood plasma, laboratory preparations or similar materials and products that are subject to the Medical Products Directive.
- If the product is used against its intended purpose, it may cause damage to or deterioration of the products kept inside.
- If your refrigerator is equipped with blue light, do not look at this light with optical devices. Do not stare directly at UV LED light for a long time. Ultraviolet rays may cause eye strain.
- Do not fill the product with more contents than its capacity. Injuries or damages may occur if the contents of the refrigerator fall when the door is opened. Similar problems may also occur when an object is placed over the product.
- Ensure that you have removed any ice or water that may have fallen to the floor to prevent injuries.
- Change the locations of the racks/bottle racks on the door of your refrigerator only when the racks are empty. Danger of injury!
- Do not place objects that may fall/tip over on the product. These objects may fall while opening or closing the door and cause injuries and/or material damages.

- Do not hit or exert excessive pressure on glass surfaces. Broken glass may cause injuries and/or material damages.
- The cooling system in your product contains R600a refrigerant. The refrigerant type used in the product is specified in the type label. This gas is flammable. Therefore, be careful not to damage the cooling system and the pipes while operating the product. In case of damage to the pipes;
 1. Do not touch the product or the power cable.
 2. Keep the product away from potential sources of fire that may cause the product to catch fire.
 3. Ventilate the area where the product is placed. Do not use a fan.
 4. Contact Authorized Service.

If the product is damaged and you observe gas leak, please stay away from the gas. Gas may cause frostbite if it contacts your skin.

Before disposing of old products that shall not be used any more:

 1. Unplug the power cord from the mains socket.
 2. Cut the power cable and remove it from the appliance together with the plug.
- 3. Do not remove the racks and drawers from the product to prevent children from getting inside the appliance.
- 4. Remove the doors.
- 5. Store the product so that it shall not be tipped over.
- 6. Do not allow children to play with the scrapped product.
- Do not dispose of the product by throwing it into fire. Risk of explosion.
- If there is a lock available on the product's door, keep the key out of children's reach.

1.7 Food Storage Safety

Please pay attention to the following warnings to avoid food spoilage:

- Leaving the doors open for a long time may cause the temperature inside the product to rise.
- Regularly clean the accessible drainage systems in contact with food.
- Clean the water tanks that have not been used for 48 hours and mains-fed water systems that have not been used for more than 5 days.
- Store raw meat and fish products in appropriate compartments within the product.

Thus, it does not drip on or come into contact with other foods.

- Two-star freezer compartments are used for storing pre-filled foods, making and storing ice and ice cream.
- One, two and three-star compartments are not appropriate for freezing fresh food.
- If the cooling product has been left empty for a long time, turn off the product, defrost, clean, and dry the product in order to protect the housing of the product.

1.8 Maintenance and Cleaning Safety

- Unplug the refrigerator before cleaning it or starting to perform maintenance.
- Do not pull by the door handle if you shall move the product for cleaning purposes. Handle may cause injuries if it is pulled too hard.
- Do not put your hands etc. under the refrigerator. Jamming may occur or any sharp edge may cause personal injuries.
- Do not clean the product by spraying or pouring water on the product and inside the product. Risk of electric shock and fire.
- When cleaning the product, do not use sharp and abrasive tools or household cleaning agents, detergent, gas, gasoline, thinner, alcohol, varnish, and similar substances. Use only cleaning and maintenance agents that are not harmful for food inside the product.
- Do not ever use steam or steamed cleaning materials for cleaning the product and thawing the ice inside it. Steam contacts the live areas in your refrigerator and causes short circuit or electric shock.
- Do not use any mechanical tools or any other tools than the recommendations of the manufacturer to speed up the defrost operation.
- Take care to keep water away from the ventilation holes, electronic circuits or lighting of the product.
- Use a clean, dry cloth to wipe the dust or foreign material on the tips of the plugs. Do not use a wet or damp piece of cloth to clean the plug. Otherwise, risk of fire or electric shock may occur.

1.9 Disposal of the Old Product

When disposing of your old product follow the instructions below:

- To prevent children from accidentally locking themselves into the product, if there is door lock, make it deactivated.
- Splash of coolant is harmful to the eyes. Do not damage any part of the cooling system while disposing of the product.

- It may be fatal if the compressor oil is swallowed or if it penetrates the respiratory tract.
- Cooling system of your product includes R600a gas as specified in the type label. This gas is flammable. Do not dispose of the product by throwing it into fire. Risk of explosion!

2 Environmental Instructions

2.1 Compliance with the WEEE Directive and Disposing of the Waste Product



This product complies with EU WEEE Directive (2012/19/EU). This product bears a classification symbol for waste electrical and electronic equipment (WEEE).

This symbol indicates that this product shall not be disposed with other household wastes at the end of its service life. Used device must be returned to official collection point for recycling of electrical and electronic devices. To find these collection systems please contact to your local authorities or retailer where the product was purchased. Each household performs important role in recovering and recycling of old appliance. Appropriate disposal of used

appliance helps prevent potential negative consequences for the environment and human health.

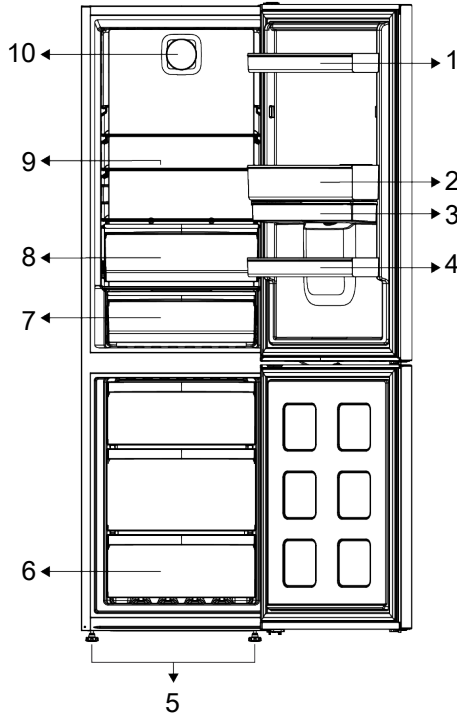
Compliance with RoHS Directive

The product you have purchased complies with EU RoHS Directive (2011/65/EU). It does not contain harmful and prohibited materials specified in the Directive.



Package information

Packaging materials of the product are manufactured from recyclable materials in accordance with our National Environment Regulations. Do not dispose of the packaging materials together with the domestic or other wastes. Take them to the packaging material collection points designated by the local authorities.



- | | |
|-------------------------|-----------------------|
| 1 Adjustable Door Shelf | 2 Egg holder |
| 3 Water dispenser | 4 Bottle Shelf |
| 5 Adjustable Legs | 6 Freezer Compartment |
| 7 Cold Storage Drawer | 8 Crisper |
| 9 Adjustable Shelves | 10 Fan |

***Optional:** Figures in this user manual are schematic and may not exactly match your product. If your product does not comprise the relevant parts, the information pertains to other models.

4 Installation



Read the "Safety Instructions" section first!

4.1 Right Place For Installation

Contact the Authorized Service for the product's installation. To prepare the product for installation, see the information in the user manual and make sure the elec-

tric and water utilities are as required. If not, call an electrician and plumber to arrange the utilities as necessary.



WARNING:

The manufacturer assumes no responsibility for any damages caused by the work carried out by unauthorized persons.



WARNING:

The product's power cable must be unplugged during installation. Failure to do so may result in death or serious injuries!



WARNING:

If the door span is too narrow for the product to pass, remove the door and turn the product sideways; if this does not work, contact the authorized service.

- Place the product on a flat surface to avoid vibration.
- Place the product at least 30 cm away from the heater, stove and similar sources of heat and at least 5 cm away from electric ovens.
- Do not expose the product to direct sunlight or keep it in damp environments.
- Your product requires adequate air circulation to function efficiently. If the product will be placed in an alcove, remember to leave at least 5 cm clearance between the product and the ceiling, rear wall and the side walls.
- Check if the rear wall clearance protection component is present at its location (if provided with the product).
- If the component is not available, or if it is lost or fallen, position the product so that at least 5 cm clearance shall be left between the rear surface of the product and the wall of the room. The clearance at the rear is important for efficient operation of the product.

4.2 Electrical Connection



Do not use extension or multi sockets in power connection.



Damaged power cable must be replaced by Authorized Service.

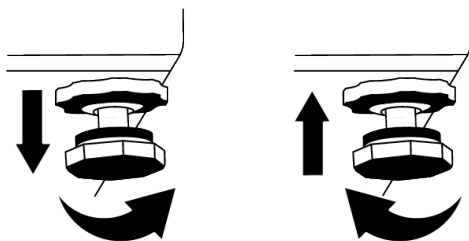


When placing two coolers in adjacent position, leave at least 4 cm distance between the two units.

- Our firm will not assume responsibility for any damages due to usage without earthing and power connection in compliance with national regulations.
- The power cable plug must be easily accessible after installation.
- Do not use multi-group plug with or without extension cable between the wall socket and the refrigerator.

4.3 Adjusting the Legs

If the product is not in balanced position, adjust the front adjustable legs by rotating them to right or left.



4.4 Hot Surface Warning

The side walls of your product are equipped with cooler pipes to enhance the cooling system. High pressure fluid may flow through these surfaces, and cause hot surfaces on the side walls. This is normal and it does not require servicing. Be careful when you contact these areas.



Read the "Safety Instructions" section first!

5.1 What To Do For Energy Saving



Connecting the product to electronic energy-saving systems is harmful, as it may damage the product.

- This refrigerating appliance is not intended to be used as a built in appliance.
- Do not keep the refrigerator doors open for long periods.
- Do not place hot food or beverages into the refrigerator.
- Do not overfill the refrigerator; blocking the internal air flow will reduce cooling capacity.
- Since hot and humid air will not directly penetrate into your product when the doors are not opened, your product will optimize itself in conditions sufficient to protect your food. Under these circumstances, functions and components such as compressor, fan, heater, defrost, lighting, display and so on will operate according to the needs by consuming minimum energy.
- In case that multiple options are present, glass shelves must be placed so that the air outlets at the rear wall are not blocked and preferably, in a way that air outlets remain below the glass shelf. This combination may help improving air distribution and energy efficiency.
- Using the below drawer when storing is strongly recommended.
- Depending on the product's features; defrosting frozen foods in the cooler compartment will ensure energy saving and preserve food quality.
- In order to load the maximum quantity of food into the freezer compartment of your refrigerator, the upper drawers may be taken out and the food should be placed onto the wire/glass shelves.

- Food shall be stored using the drawers in the cooler compartment in order to ensure energy saving and protect food in better conditions.
- Food packages shall not be in direct contact with the temperature sensor located in the freezer compartment.

5.2 First Use

Before using your refrigerator, make sure the necessary preparations are made in line with the instructions in "Safety and Environmental Instructions" and "Installation" sections.

- Keep the product running without placing any food inside for 6 hours and do not open the door, unless absolutely necessary.
- The temperature change caused by opening and closing of the door while using the product may normally lead to condensation on door/body shelves and glassware placed in the product.



A sound will be heard when the compressor is engaged. It is normal for the product to make noise even if the compressor is not running, as fluid and gas may be compressed in the cooling system.



It is normal for the front edges of the refrigerator to be warm. These areas are designed to warm up in order to prevent condensation.



For some models, indicator panel turns off automatically 1 minute after the door closes. It will be re-activated when the door is opened or any button is pressed.

5.3 Climate Class and Definitions

Please refer to the Climate Class on the rating plate of your device. One of the following information is applicable to your device according to the Climate Class.

- **SN:** Long Term Temperate Climate: This cooling device is designed for use at ambient temperatures between 10 °C and 32 °C.
- **N:** Temperate Climate: This cooling device is designed for use at ambient temperatures between 16°C and 32 °C.
- **ST:** Subtropical Climate: This cooling device is designed for use at ambient temperatures between 16°C and 38°C.
- **T:** Tropical Climate: This cooling device is designed for use at ambient temperatures between 16°C and 43°C.

6 Operating the Product



Read the "Safety Instructions" section first!

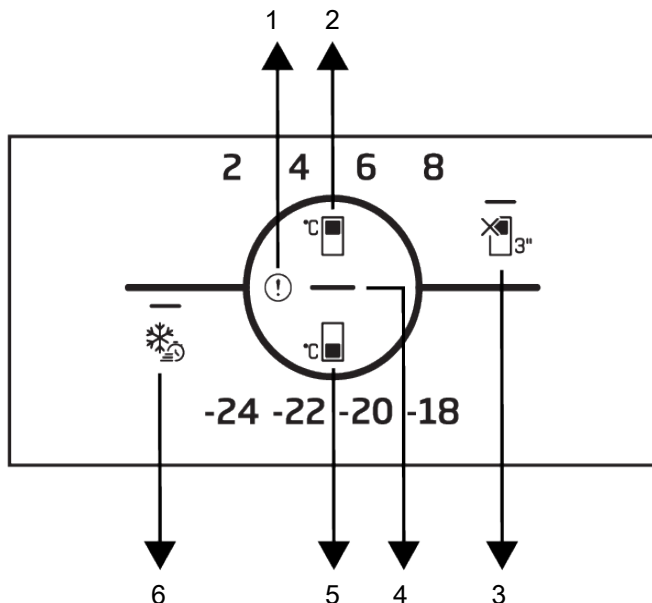
- Do not use any mechanical tools or any other tools than the recommendations of the manufacturer to speed up the defrost operation.
- Do not use parts of your refrigerator such as the door or drawers as a support or a step. This may cause the product to trip over or its components to be damaged.
- The product shall be used for storing food only.

- Turn off the water valve if you will be away from home (e.g. at vacation) and you will not be using the Icematic or the water dispenser for a long period of time. Otherwise, water leaks may occur.

Unplugging the Product

- If you are not going to use the product for a long time, unplug the product from the socket.
- Remove the food to prevent odours,
- Wait for the ice to melt, clean the interior and let it dry, leave the doors open to avoid damaging the inner body plastics.

7.1 Control Panel of the Product



- | | |
|--|--|
| 1 Error Status Indicator | 2 Cooler Compartment Temperature Setting Key |
| 3 * Cooler Compartment OFF (Vacation) Function | 4 Energy Saving (Display Off) Indicator |
| 5 Freezer Compartment Temperature Setting Key | 6 Quick Freezing Key |



Read the "Safety Instructions" section first.

Auditory and visual functions on the indicator panel will assist you in using the refrigerator.

***Optional:** Shown functions are optional, there may be differences of shape and location in functions found on your appliance's indicator panel.

1. Error Condition Indicator

This indicator shall be active when your refrigerator cannot perform adequate cooling or in case of any sensor error. Exclamation mark may be displayed when you load

warm food to the freezer compartment or keep the door open for a long period of time. This is not a fault, this warning shall be removed when the food is cooled down or when any key is pressed.

2. Cooler Compartment Temperature

Setting Key

Allows setting of temperature for cooler compartment. Pressing the key will enable the cooler compartment temperature to be set at 8 °C, 6 °C, 4 °C, and 2 °C.

3. Cooler Compartment Off (Vacation)

Function Key 3"

Press the key for 3 seconds to activate the vacation function. Vacation mode is activated and the LED on the vacation symbol is illuminated. The cooler compartment does not perform active cooling function. You should not keep your food in the cooler compartment if you activate this function. The other compartments continue to cool according to temperatures set before. Press the key for 3 seconds again to cancel this function.

4. Energy Saving (Display Off) Indicator

When the doors are not opened and closed for an extended period of time, the energy saving mode is automatically enabled and the energy saving icon lights up. When the energy saving function is enabled, all icons other than the energy saving icon disappear on the screen. When the energy saving function is active, pressing any key or opening the door will deactivate the energy sav-

ing function and the display signals will return to normal. The energy-saving function is a function activated ex-factory and cannot be cancelled.

5. Freezer Compartment Temperature

Setting Key

Temperature setting is made for freezer compartment. Pressing the key will enable the freezer compartment temperature to be set at -18 °C, -20 °C, -22 °C, and -24 °C values.

6. Quick Freezing Key

When the quick freeze key is pressed, the LED on the quick freeze key is illuminated and the quick freeze function shall be activated. The freezer compartment temperature is set to -27 °C. Press the key again to cancel the function. The quick freezing function shall be automatically cancelled after a specified period. To freeze a large amount of fresh food, press the quick freezing key before placing the food in the freezer compartment.

7.2 Storing Food in the Cooler Compartment

Storing Food in the Cooler Compartment

- Compartment temperatures rise prominently if compartment door is opened and closed frequently and kept open for a long time, this can reduce the life span of the food and cause the food to spoil.
- In order not to cause odour and taste changes, the food should be stored in the closed containers.
- Do not store too much food in your refrigerator. To achieve a better and homogeneous cooling, place the food separately in a way that cold air can wander through them.
- Provide air flow by leaving a space between the food and internal wall. If you lean the food against the rear wall, the food may freeze.
- Bring cooked hot meals to the room temperature before placing them in the refrigerator. Then, you can place the tepid meal in the lower shelves of your refrigerator. Do not place the tepid meals close to the foods which may easily spoil.
- Especially pay attention not to mix the foods sold as frozen with the fresh foods.
- Defrost your frozen food in the fresh food compartment. Thereby, you can cool fresh food compartment by using frozen food and save energy.
- Storing unripe tropical fruits (mango, melon varieties, papaya, banana, pineapple) in the refrigerator may speed up the ripening process. This is not recommended because it will cause shorter storage time.
- You should store onions, garlics, gingers and other root vegetables in dark and cold room conditions, not in the refrigerator.

- If you notice that a food has spoiled in the refrigerator, throw away that food and clean the accessories which have come into contact with it.
- In order to cool the meals like soups and stews, which are cooked in the large pots, quickly, you can put them in the refrigerator by separating them into their own shallow containers.
- Do not place unpackaged food close to eggs.
- Keep the fruits and vegetables separately and store each variety together (for example; apples with apples, carrots with carrots).
- Take green vegetables out of the plastic bag and place them in the refrigerator after wrapping them in a paper towel or drying cloth. If you wash this type of food before placing them in the refrigerator, remember to dry them.
- You can both create a damp environment and provide an air flow by keeping fruits and vegetables, which are prone to drying, in the perforated or unsealed plastic bags.
- Except the cases where extreme circumstances are available in the environment, if your product (on the recommended set values table) is set to the specified set values, the food keep their freshness for a longer time both in the fresh product compartment and freezer compartment.

Store Foods In The Different Places According To Their Properties:	
Food	Location
Egg	Door Shelf
Dairy products (butter, cheese)	If available, zero degree (for breakfast food) compartment
Fruits, vegetables and greenery	Fruit-vegetable compartment, crisper or EverFresh+ compartment (if available)
Fresh meat, poultry, fish, sausage etc. Cooked foods	If available, zero degree (for breakfast food) compartment
Ready to serve foods, packaged products, canned foods and pickles	Top shelves or door shelf
Beverages, bottles, spices and snacks	Door Shelf

Storing Food In The Freezer Compartment

- You can activate Quick Freezing function 4-6 hours before freezing function and perform a faster cooling.
- Bring hot meals to the room temperature before placing them in the freezer compartment.
- Foods to be frozen must be divided into portions according to a size to be consumed, and frozen in separate packages.
- It is recommended to pack the foods before placing them in the freezer.
- In order to prevent expiration of storage time, write the freezing date, time and name of the product on the package according to the storage times of different foods.
- Consume the foods you have defrosted quickly. Defrosted foods cannot be frozen again unless they are cooked. It is not safe to consume the refrozen fresh foods without cooking after they are defrosted.
- As you freeze fresh foods, do not bring them in contact with already frozen foods. Otherwise, frozen foods will be defrosted.

Storing The Foods, Which Are Sold Frozen

- Always follow the instructions of the producer in relation to the time during which you are required to store your foods. Do not exceed the time specified in these instructions!

- In order to protect the quality of the food, keep the time interval between purchasing transaction and storing as short as possible.
- Buy frozen food which are stored at -18°C or lower temperatures.
- Avoid buying foods whose packages are covered with ice etc. This means that the product could be partially defrosted and refrozen. Temperature impacts the quality of the food.
- Do not exceed the storing time recommended by the food producer. Remove only the food as much as you need from the freezer.
- Except the cases where extreme circumstances are available in the environment, if your product (on the recommended set values table) is set to the specified set values, the food keep their freshness for a longer time both in the fresh product compartment and freezer compartment.
- If fresh food compartment is set to a lower temperature, fresh fruits and vegetables may be partially frozen.
- Two-star frozen food compartments are suitable for storing pre-frozen food, storing or making ice cream and ice cubes.
- Do not freeze fresh food in one, two or three-star compartments.

Recommended Set Values Table

Freezer Compartment Setting	Fridge Compartment Setting	Remarks
-22°C	4°C	This is the default, recommended setting. This setting is recommended if ambient temperature is below 30°C .
-20°C	6°C	This settings is recommended for ambient temperatures exceeding 25°C .
Quick Freeze	4°C	Use when you want to freeze your food in a short time. When the process is done, it will go back to its previous position.

Freezer Details

As per the IEC 62552 standards, the freezer must have the capacity to freeze 4,5 kg of food items at -18°C or lower temperatures at 25°C room temperature in 24 hours for each 100 litres of freezer compartment volume.

Food products can only be preserved for extended periods at or below temperature of -18°C .

You can keep the foods fresh for months (in freezer at or below temperatures of -18°C).

The food products to be frozen must not contact the already-frozen food inside to avoid partial defrosting.

Boil the vegetables and filter the water to extend the frozen storage time. Place the food in air-tight packages after filtering and place in the freezer. Bananas, tomatoes,

lettuce, celery, boiled eggs, potatoes and similar food items should not be frozen. In case these foods are frozen, only nutritional values and eating qualities will be negatively affected. A rotting that would threaten human health is not in question.

Placing The Food

Freezer compartment shelves: Different frozen foods like meat, fish, ice cream, vegetables etc.

Cooler compartment shelves: Food items inside pots, capped plate and capped cases, eggs (in closed case)

Cooler compartment door shelves: Small and packaged food or beverages

Crisper: Vegetables and fruits

Fresh food compartment: Delicatessen (breakfast food, meat products to be consumed in short time)

Meat and Fish		Preparation	Longest storage time (month)		
Meat Products	Veal	Steak	By cutting them 2 cm thick and placing foil between them or wrapping tightly with stretch	6-8	
		Roast	By packing the pieces of meat in a refrigerator bag or wrapping them tightly with stretch	6-8	
		Cubes	In small pieces	6-8	
		Schnitzel, chops	By placing foil between cut slices or wrapping individually with stretch	6-8	
	Mutton	Chops	By placing foil between meat pieces or wrapping individually with stretch	4-8	
		Roast	By packing the pieces of meat in a refrigerator bag or wrapping them tightly with stretch	4-8	
		Cubes	By packing the shredded meats in a refrigerator bag or wrapping them tightly with stretch	4-8	
	Beef	Roast	By packing the pieces of meat in a refrigerator bag or wrapping them tightly with stretch	8-12	
		Steak	By cutting them 2 cm thick and placing foil between them or wrapping tightly with stretch	8-12	
		Cubes	In small pieces	8-12	
		Boiled meat	By packaging in small pieces in a refrigerator bag	8-12	
	Mince		Without seasoning, in flat bags	1-3	
	Offal (piece)		In pieces	1-3	
	Fermented sausage - Salami		It should be packaged even if it has casing.	1-3	
Jambon		By placing foil between cut slices	2-3		
Poultry and hunting animals	Chicken and Turkey		By wrapping in foil	4-6	
	Goose		By wrapping in foil (portions should not exceed 2.5 kg)	4-6	
	Duck		By wrapping in foil (portions should not exceed 2.5 kg)	4-6	
	Deer, Rabbit, Roe Deer		By wrapping in foil (portions should not exceed 2.5 kg, and their bones should be separated)	6-8	
Fish and seafood	Freshwater fish (Trout, Carp, Crane, Catfish)		After thoroughly cleaning the inside and scales, it should be washed and dried, and the tail and head parts should be cut when necessary.	2	
	Lean fish (Sea bass, Turbot, Sole)			4-6	
	Fatty fish (Bonito, Mackerel, Bluefish, Red Mullet, Anchovy)			2-4	
	Shellfish			Cleaned and in bags	4-6
	Caviar			In its packaging, in an aluminium or plastic container	2-3

"The storage times specified in the table are based on the storage temperature of -18°C. "

Fruits and Vegetables	Preparation	Longest storage time (month)
String bean and Pole bean	By shock boiling for 3 minutes after washing and cutting into small pieces	10-13
Green pea	By shock boiling for 2 minutes after shelling and washing	10-12
Cabbage	By shock boiling for 1-2 minute(s) after cleaning	6-8
Carrot	By shock boiling for 3-4 minutes after cleaning and cutting into slices	12
Pepper	By boiling for 2-3 minutes after cutting the stem, dividing into two and separating the seeds	8-10
Spinach	By shock boiling for 2 minutes after washing and cleaning	6-9
Leek	By shock boiling for 5 minutes after chopping	6-8
Cauliflower	By shock boiling in a little lemon water for 3-5 minutes after separating the leaves, cutting the core into pieces	10-12
Eggplant	By shock boiling for 4 minutes after washing and cutting into 2cm pieces	10-12
Squash	By shock boiling for 2-3 minutes after washing and cutting into 2cm pieces	8-10
Mushroom	By lightly sauteing in oil and squeezing lemon on it	2-3
Corn	By cleaning and packing in cob or granular	12
Apple and Pear	By shock boiling for 2-3 minutes after peeling and slicing	8-10
Apricot and Peach	Divide in half and extract the seeds	4-6
Strawberry and Raspberry	By washing and shelling	8-12
Baked fruit	By adding 10% sugar in the container	12
Plum, Cherry, Sour Cherry	By washing and shelling the stalks	8-12

"The storage times specified in the table are based on the storage temperature of -18°C. "

Dairy Products	Preparation	Longest Storage Time (Month)	Storage Conditions
Cheese (except feta cheese)	By placing foil therebetween, in slices	6-8	It can be left in its original packaging for short term storage. For long-term storage it should also be wrapped in aluminium or plastic foil.
Butter, margarine	In its own packaging	6	In its own packaging or in plastic containers

"The storage times specified in the table are based on the storage temperature of -18°C. "

"The quantity of fresh food that can be frozen in a specific time period is indicated on the rating plate."

7.3 Crisper Technologies

Blue Light

Fruits and vegetables stored in the crispers that are illuminated with a blue light continue their photosynthesis by means of the wavelength effect of blue light and thus preserve their vitamin content.

HarvestFresh

Fruits and vegetables stored in crispers illuminated with the HarvestFresh technology preserve their vitamins for a longer time thanks to the blue, green, red lights and dark cycles, which simulate a day cycle.

When the door of your refrigerator is opened during the dark period of the HarvestFresh technology, your refrigerator shall sense this automatically and illuminate the crisper with one of the blue, green or red lights respectively for your convenience. After you have closed the door of the refrigerator, the dark period will continue, representing the night time in a day cycle.

7.4 Dairy Products Cold Storage Area

Cold Storage Drawer

The Cold Storage Drawer can reach lower temperatures in the cooler compartment. Use this drawer for delicatessen products (salami, sausage, etc.) and dairy products that require colder storage conditions, or for meat, chicken or fish to be consumed quickly. It is not suitable to store fruits and vegetables in this drawer.

7.5 Reversing the Door Opening Side

The door opening side of your refrigerator can be reversed according to the place you put it. When you need this, you should definitely call the nearest Authorized Service.

7.6 Door Open Alert

The door open alert system of your refrigerator may differ depending on the model.

Version 1;

If the door of the product remains open for a certain time (between 60 s and 120 s), an audio warning signal sounds; depending on the product model, a visual warning signal (light flash) can also be displayed. If you close the door of the device or press a button on the screen of the device, if any, the warning sound will stop.

Version 2;

If the door of the device remains open for a certain period of time (between 60 s and 120 s), the door open alert is sounded. The door open alert is sounded gradually. First, an audible warning starts to sound. After 4 minutes, if the door is still not closed, a visual warning (lighting flash) is activated. The door open alert will be delayed for a certain period of time (between 60 s and 120 s) when any key on the product screen, if any, is pressed. Then the process will start again. When the device door is closed, the door open alert will be cancelled.

7.7 Replacing the Illumination Lamp

Call the Authorized Service when the Bulb/LED used for lighting in your refrigerator will be replaced.

Lamp(s) used in this appliance cannot be used for house lighting. Intended use of this lamp is to help the user place food into the refrigerator / freezer safely and comfortably.

7.8 Using the Water Dispenser

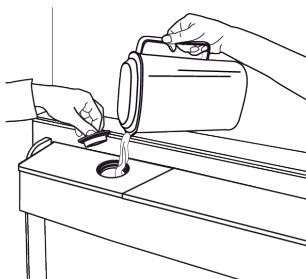
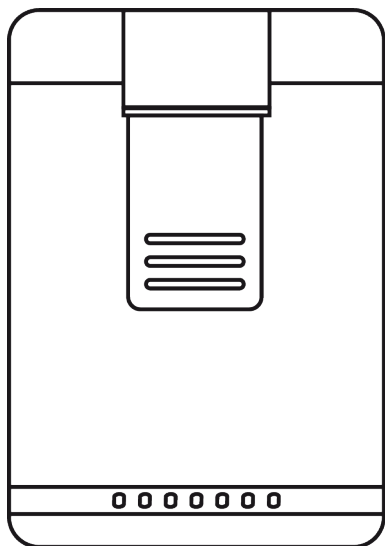


The first few glasses of water taken from the fountain will normally be warm.



If you have not used the water dispenser for a long time, dispose of the first few glasses of water to get clean water.

1. Press on the arm of the water dispenser with your glass. It would be easier to press on the arm with your hand if you are using a soft plastic glass.
2. Release the arm after filling your glass with water as you desire.



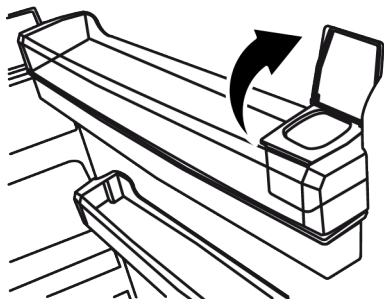
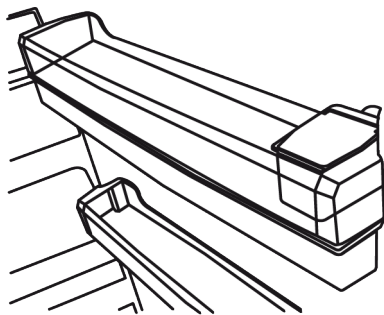
The amount of water flow from the fountain depends on the pressure you apply on the arm. Release the pressure on the arm slightly as the water level in your glass/container is increased to prevent overflow. Water shall drip if you press the arm slightly; this is normal and it is not a malfunction.



Water reservoir capacity is 3 litres, do not overfill.

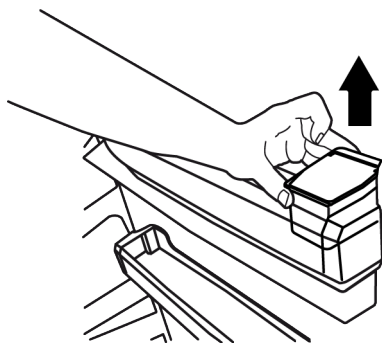
Cleaning the water tank

1. Remove the water filling reservoir inside the door shelf.

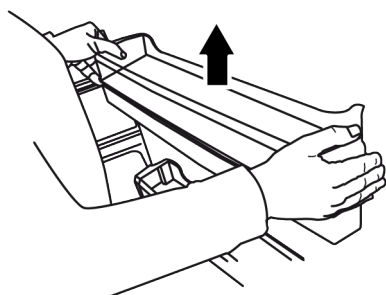


Filling the water tank of the water dispenser

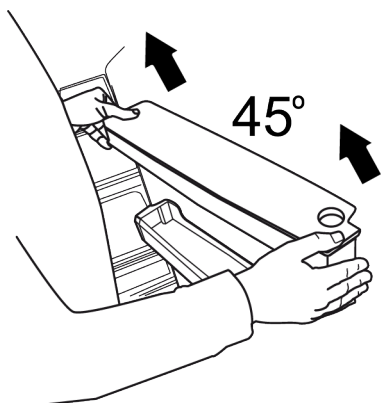
1. Open the lid of the water tank as shown in the figure. Fill in pure and clean drinking water. Close the lid.



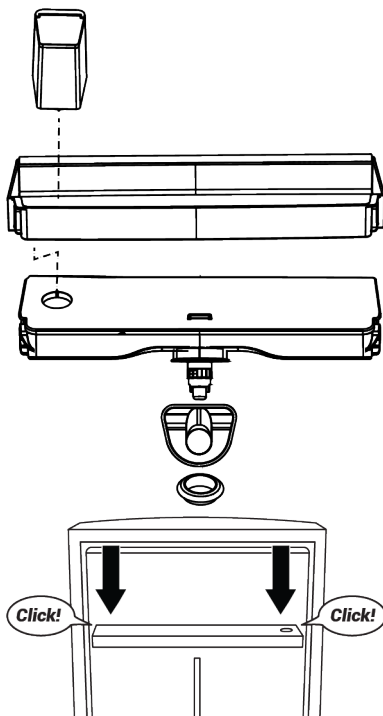
1. Detach by holding both sides of the door shelf.



2. Hold both sides of the water tank and remove at 45° angle.



3. Remove and clean the water tank lid.



Do not fill the water tank with fruit juice, fizzy beverages, alcoholic beverages or any other liquids incompatible for use in the water dispenser. Using such liquids will cause malfunction and irreparable damage in the water dispenser. Using the fountain in this way is not within the scope of warranty. Certain chemicals and additives in such beverages / liquids may cause material damage to the water tank.

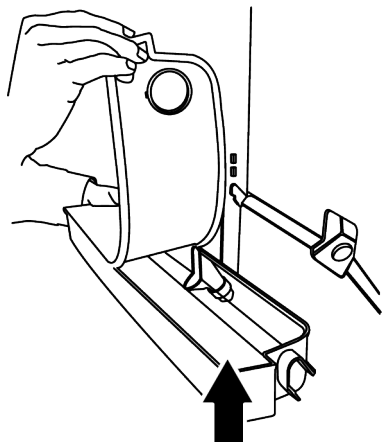


Use clean drinking water only.

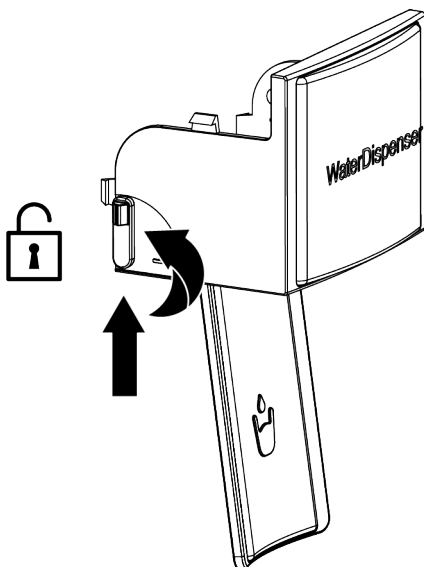


NOTICE

Do not wash the components of the water tank and water dispenser in the dishwasher.



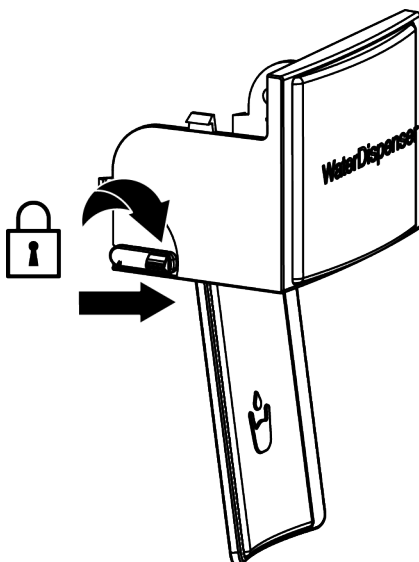
Child lock is on like this.



Before using the water dispenser in the product, check whether the Child Lock is active or not. Look at the information in the figures about the Child lock ON/OFF positions to check.

Make sure that the Child lock exactly closes as in the figure when it is turned OFF.

Child lock is off like this.



8 Maintenance and Cleaning



WARNING:

Read the "Safety Instructions" section first.



WARNING:

Unplug the refrigerator before cleaning it.

- Do not use sharp or abrasive tools to clean the product. Do not use materials such as household cleaning agents, soap, detergents, gas, gasoline, thinner, alcohol, wax, etc.
- The dust shall be removed from the ventilation grill on the rear of the product at least once a year (without opening the cover). Clean the product with a dry cloth.
- Take care to keep water away from the lamp's cover and other electrical parts.
- Clean the door with a damp cloth. Remove all contents to remove the door and body racks. Remove the door racks by lifting them upwards. Clean and dry the shelves, then attach back in place by sliding from above.
- Do not use chlorinated water or cleaning products on the exterior surface and chrome-coated parts of the product. Chlorine will cause rust on such metallic surfaces.
- Do not use sharp and abrasive tools, soap, house cleaning materials, detergents, gas, gasoline, varnish and similar substances to prevent deformation of the plastic part and removal of prints on the part. Use warm water and a soft cloth for cleaning, and then dry it.
- On the products without a No-Frost feature, water droplets and icing up to a thickness of a finger may occur on the rear wall of the freezer compartment. Do not clean, and never apply oils or similar materials.
- Use a mildly dampened micro-fibre cloth to clean the external surface of the product. Sponges and other types of cleaning clothes may cause scratches.
- To clean all removable components during the cleaning of the interior surface of the product, wash these components with a mild solution consisting of soap, water and carbonate. Wash and dry thoroughly. Prevent contact of water with illumination components and the control panel.


CAUTION:

Do not use vinegar, rubbing alcohol or other alcohol based cleaning agents on any interior surface.

Stainless Steel External Surfaces

Use a non-abrasive stainless steel cleaning agent and apply it with a soft lint-free cloth. To polish, gently wipe the surface with a micro-fibre cloth dampened with water and use dry polishing chamois. Always follow the veins of the stainless steel.

Preventing Odours

The product is manufactured free of any odorous materials. However, keeping the food in inappropriate sections and improper cleaning of internal surfaces may lead to odours.

- To avoid this, clean the inside with carbonated water every 15 days.
- Keep the foods in sealed holders, as micro-organisms arising from foods kept in unsealed containers will cause bad odour.
- Do not keep expired and spoilt foods in the refrigerator.

Protecting Plastic Surfaces

Oil spilled on plastic surfaces may damage the surface and must be cleaned immediately with warm water.

9 Troubleshooting

Check this list before contacting the service. Doing so will save you time and money. This list includes frequent complaints that are not related to faulty workmanship or materials. Certain features mentioned herein may not apply to your product.

The refrigerator is not working.

- The power plug is not fully settled. >>> Plug it in to settle completely into the socket.
- The fuse connected to the socket powering the product or the main fuse is blown. >>> Check the fuse.

Condensation on the side wall of the cooler compartment (MULTI ZONE, COOL CONTROL and FLEXI ZONE).

- The door is opened too frequently. >>> Take care not to open the product's door too frequently.
- The environment is too humid. >>> Do not install the product in humid environments.
- Foods containing liquids are kept in unsealed holders. >>> Keep the foods containing liquids in sealed holders.
- The product's door is left open. >>> Do not keep the product's door open for long periods.
- The thermostat is set to a very cool temperature. >>> Set the thermostat to an appropriate temperature.

Compressor is not working.

- In case of sudden power failure or pulling the power plug off and putting back on, the gas pressure in the product's cooling system is not balanced, which triggers the compressor thermic safeguard. The product will restart after approximately 6 minutes. If the product does not restart after this period, contact the service.
- Defrosting is active. >>> This is normal for a fully-automatic defrosting product. The defrosting is carried out periodically.
- The product is not plugged in. >>> Make sure the power cord is plugged in.
- The temperature setting is incorrect. >>> Select the appropriate temperature setting.
- The power is out. >>> The product will continue to operate normally once the power is restored.

The refrigerator's operating noise is increasing while in use.

- The product's operating performance may vary depending on the ambient temperature variations. This is normal and not a malfunction.

The refrigerator runs too often or for too long.

- The new product may be larger than the previous one. Larger products will run for longer periods.
- The room temperature may be high. >>> The product will normally run for long periods in higher room temperature.
- The product may have been recently plugged in or a new food item is placed inside. >>> The product will take longer to reach the set temperature when recently plugged in or a new food item is placed inside. This is normal.
- Large quantities of hot food may have been recently placed into the product. >>> Do not place hot food into the product.
- The doors were opened frequently or kept open for long periods. >>> The warm air moving inside will cause the product to run longer. Do not open the doors too frequently.
- The freezer or cooler door may be ajar. >>> Check that the doors are fully closed.
- The product may be set to a temperature that is too low. >>> Set the temperature to a higher degree and wait for the product to reach the adjusted temperature.
- The cooler or freezer door washer may be dirty, worn out, broken or not properly settled. >>> Clean or replace the gasket. Damaged / torn door washer will cause the product to run for longer periods to preserve the current temperature.

The freezer temperature is very low, but the cooler temperature is adequate.

- The freezer compartment temperature is set to a very low degree. >>> Set the freezer compartment temperature to a higher degree and check again.

The cooler temperature is very low, but the freezer temperature is adequate.

- The cooler compartment temperature is set to a very low degree. >>> Set the cooler compartment temperature to a higher degree and check again.

The food items kept in cooler compartment drawers are frozen.

- The cooler compartment temperature is set to a very low degree. >>> Set the cooler compartment temperature to a higher degree and check again.

The temperature in the cooler or the freezer is too high.

- The cooler compartment temperature is set to a very high degree. >>> Temperature setting of the cooler compartment has an effect on the temperature in the freezer compartment. Wait until the temperature of relevant parts reach the sufficient level by changing the temperature of cooler or freezer compartments.
- The doors were opened frequently or kept open for long periods. >>> Do not open the doors too frequently.
- The door may be ajar. >>> Fully close the door.
- The product may have been recently plugged in or a new food item is placed inside. >>> This is normal. The product will take longer to reach the set temperature when recently plugged in or a new food item is placed inside.
- Large quantities of hot food may have been recently placed into the product. >>> Do not place hot food into the product.

Shaking or noise.

- The surface is not flat or durable >>> If the product is shaking when moved slowly, adjust the stands to balance the product. Also make sure the ground is sufficiently durable to bear the product.
- Any items placed on the product may cause noise. >>> Remove any items placed on the product.
- The product is making noise of liquid flowing, spraying etc.
- The product's operating principles involve liquid and gas flows. >>> This is normal and not a malfunction.

There is sound of wind blowing coming from the product.

- The product uses a fan for the cooling process. This is normal and not a malfunction.

There is condensation on the product's internal walls.

- Hot or humid weather will increase icing and condensation. This is normal and not a malfunction.
- The doors were opened frequently or kept open for long periods. >>> Do not open the doors too frequently; if open, close the door.
- The door may be ajar. >>> Fully close the door.

There is condensation on the product's exterior or between the doors.

- The ambient weather may be humid, this is quite normal in humid weather. >>> The condensation will dissipate when the humidity is reduced.

The interior smells bad.

- The product is not cleaned regularly. >>> Clean the interior regularly using sponge, warm water and carbonated water.
- Certain holders and packaging materials may cause odour. >>> Use holders and packaging materials without free of odour.
- The foods were placed in unsealed holders. >>> Keep the foods in sealed holders. Microorganisms may spread out of unsealed food items and cause bad odour.
- Remove any expired or spoiled foods from the product.

The door is not closing.

- Food packages may be blocking the door. >>> Relocate any items blocking the doors.
- The product is not standing in full upright position on the ground. >>> Adjust the stands to balance the product.
- The surface is not flat or durable >>> Make sure the surface is flat and sufficiently durable to bear the product.

The crisper is jammed.

- The food items may be in contact with the upper section of the drawer. >>> Reorganize the food items in the drawer.

Temperature on the product surface.

- High temperature may be observed between two doors, on the side panels and on the rear grill area while your product is operated. This is normal and it does not require servicing.

Fan continues to operate when the door is opened.

- Fan may continue to operate when the freezer door is open.



WARNING: If the problem persists after following the instructions in this section, contact your vendor or an Authorized Service. Do not try to repair the product. This is normal.

DISCLAIMER / WARNING

Some (simple) failures can be adequately handled by the end-user without any safety issue or unsafe use arising, provided that they are carried out within the limits and in accordance with the following instructions (see the "Self-Repair" section).

Therefore, unless otherwise authorized in the "Self-Repair" section below, repairs shall be addressed to registered professional repairers in order to avoid safety issues. A registered Professional repairer is a professional repairer that has been granted access to the instructions and spare parts list of this product by the manufacturer according to the methods described in legislative acts pursuant to Directive 2009/125/EC.

However, only the service agent (i.e. authorized professional repairers) that you can reach through the phone number given in the user manual/warranty card or through your authorized dealer may provide service under the guarantee terms. Therefore, please be advised that repairs by professional repairers (who are not authorized by) Beko shall void the guarantee.

Self-Repair

Self-repair can be done by the end-user with regard to the following spare parts: door handles, door hinges, trays, baskets and door gaskets (an updated list is also available support.beko.com as of 1st March 2021).

Moreover, to ensure product safety and to prevent risk of serious injury, the mentioned self-repair shall be done following the instructions in the user manual for self-repair or which are available in support.beko.com. For your safety, unplug the product before attempting any self-repair. Repair and repair attempts by end-users for parts not included in such list and/or not following the instructions in the user manuals for self-repair or which are available in support.beko.com, might give rise to safety issues not attributable to Beko, and will void the warranty of the product.

Therefore, it is highly recommended that end-users refrain from the attempt to carry out repairs falling outside the mentioned list of spare parts, contacting in such cases authorized professional repairers or registered professional repairers. On the contrary, such attempts by end-users may cause safety issues and damage the product and subsequently cause fire, flood, electrocution and serious personal injury to occur.

By way of example, but not limited to, the following repairs must be addressed to authorized professional repairers or registered professional repairers: compressor, cooling circuit, main board, inverter board, display board, etc.

The manufacturer/seller cannot be held liable in any case where end-users do not comply with the above.

The spare part availability of the refrigerator that you purchased is 10 years. During this period, original spare parts will be available to operate the refrigerator properly. The minimum duration of guarantee of the refrigerator that you purchased is 24 months.

This product is equipped with a lighting source of the "G" energy class. The lighting source in this product shall only be replaced by Professional repairer.

See also

2 DISCLAIMER / WARNING [] 31]

Premièrement veuillez lire ce manuel !

Cher client, chère cliente,

Veuillez lire ce manuel avant d'utiliser l'appareil.

Nous vous remercions d'avoir choisi ce Bekoproduit. Nous aimerions que vous obteniez une efficacité optimale de ce produit de haute qualité qui a été fabriqué avec une technologie de pointe. À cette fin, lisez attentivement ce manuel et toute autre documentation fournie avant d'utiliser le produit et conservez-les comme référence.

Tenez compte de toutes les informations et de tous les avertissements figurant dans le manuel d'utilisation. De cette façon, vous vous protégez, vous et votre produit, contre les dangers qui peuvent survenir.

Conservez le manuel d'utilisation. Joignez ce guide à l'unité si vous le remettez à quelqu'un d'autre.

Les symboles suivants sont utilisés dans le manuel d'utilisation :



Il s'agit d'un danger qui peut entraîner la mort ou des blessures.



Informations importantes ou conseils utiles sur le fonctionnement.



Lisez le manuel d'utilisation.



Matériau combustible, mise en garde contre le risque d'incendie.

AVERTISSEMENT Un danger qui peut causer des dommages matériels au produit ou à son environnement


	Les informations sur le modèle, telles qu'elles sont enregistrées dans la base de données des produits, peuvent être obtenues en accédant au site web suivant et en recherchant l'identifiant du modèle (*) figurant sur l'étiquette énergétique. https://eprel.ec.europa.eu/
<p>SUPPLIER'S NAME MODEL IDENTIFIER → (*)</p> <p>A A</p>	

Table des matières

1	Consignes de sécurité.....	34
1.1	Intention d'utilisation.....	34
1.2	Sécurité des enfants, des personnes vulnérables et des animaux domestiques.....	34
1.3	Sécurité électrique.....	35
1.4	Sécurité de manipulation	36
1.5	Sûreté des installations	36
1.6	Sécurité de fonctionnement	39
1.7	Sécurité du stockage des aliments	41
1.8	Sécurité relative à l'entretien et au nettoyage	42
1.9	Mise au rebut de l'ancien produit .	43
2	Instructions environnementales..	43
2.1	Conformité avec la directive DEEE et élimination des déchets..	43
3	Votre réfrigérateur	44
4	Installation	45
4.1	Lieu idéal d'installation	45
4.2	Branchement électrique.....	45
4.3	Réglages des pieds avant.....	46
4.4	Attention aux surfaces chaudes...	46
5	Préparation.....	46
5.1	Moyens d'économiser l'énergie....	46
5.2	Première utilisation	47
5.3	Classe climatique et définitions ...	47
6	Fonctionnement de l'appareil.....	47
7	Utilisation de votre appareil.....	48
7.1	Panneau de contrôle du produit ...	48
7.2	Stockage des aliments dans le compartiment réfrigérant.....	49
7.3	Technologies Crisper	52
7.4	Zone d'entreposage frais des produits laitiers	53
7.5	Inversion du côté d'ouverture de la porte	53
7.6	Alerte de porte ouverte.....	53
7.7	Remplacement de la lampe d'éclairage.....	53
7.8	Utilisation du distributeur d'eau....	53
8	Entretien et nettoyage	56
9	Dépannage	58

1 Consignes de sécurité

Cette section contient les instructions de sécurité nécessaires à la prévention des risques de dommage corporel ou de dommage matériel.

Notre entreprise ne peut être tenue pour responsable des dommages qui peuvent se produire si ces instructions ne sont pas respectées.

Les opérations d'installation et de réparation doivent être effectuées par un service agréé.

Utilisez uniquement des pièces de rechange et des accessoires d'origine.

Les pièces de rechange originales sont fournies pendant les 10 années suivant la date d'achat de l'appareil.

Évitez de réparer ou de remplacer tout composant de l'appareil sauf si cela est clairement spécifié dans le manuel d'utilisation.

Il ne faut pas effectuer de modifications sur l'appareil.

1.1 Intention d'utilisation

Ce produit ne convient pas à un usage commercial et ne doit pas être utilisé autrement que pour l'usage auquel il est destiné. Ce

produit est conçu pour être utilisé à l'intérieur, dans les foyers et dans des endroits similaires.

Par exemple ;

- cuisines du personnel des magasins, bureaux et autres environnements professionnels,
- les maisons de campagne,
- unités des hôtels, motels ou autres installations de repos utilisées par les clients,
- hôtels ou environnements similaires,
- services de restauration et les espaces semblables de vente en gros.

Ces appareils ne doivent pas être utilisés dans des environnements extérieurs ouverts ou clôturés tels que les bateaux, balcons ou terrasses. L'exposition de l'appareil à la pluie, à la neige, au soleil et au vent présente un risque d'incendie.

1.2 Sécurité des enfants, des personnes vulnérables et des animaux domestiques



- Cet appareil peut être utilisé par des enfants âgés d'au moins 8 ans, ainsi que par des personnes avec des capacités physiques, sensorielles ou

- mentales réduites ou sans expérience et connaissances, si elles sont supervisées ou ont été formées à l'utilisation sécurisée de l'appareil et comprennent les risques relatifs.
- Les enfants de 3 à 8 ans sont autorisés à mettre les aliments dans la glacière et à les enlever.
 - Les produits électriques sont dangereux pour les enfants et les animaux domestiques. Les enfants et les animaux domestiques ne doivent pas jouer avec le produit, ni grimper dessus, ni y entrer.
 - Le nettoyage et l'entretien des utilisateurs ne doivent pas être effectués par des enfants, sauf s'il y a une personne qui les surveille.
 - Tenez les emballages hors de la portée des enfants. Risque de blessure et d'asphyxie.

Avant de vous débarrasser des appareils usagés qui ne doivent plus être utilisés :

1. Débranchez le cordon d'alimentation de la prise de courant.
2. Coupez le cordon d'alimentation et retirez-le de l'appareil avec la prise.

3. Ne retirez pas les étagères et les tiroirs de l'appareil pour empêcher les enfants d'y pénétrer.
4. Démontage des portes.
5. Stockez l'appareil de façon à éviter qu'il se renverse.
6. Ne laissez pas les enfants jouer avec un appareil usagé.
 - Ne jetez pas l'appareil en le mettant au feu. Risque d'explosion.
 - Si une serrure est disponible dans la porte de l'appareil, gardez la clé hors de la portée des enfants.



1.3 Sécurité électrique

- Il ne faut pas brancher le produit dans la prise de courant pendant les opérations d'installation, d'entretien, de nettoyage, de réparation et de transport.
- Si le câble d'alimentation est endommagé, il doit être remplacé par un service agréé uniquement pour éviter tout risque qui pourrait survenir.
- Ne placez pas le câble d'alimentation sous l'appareil ou à l'arrière de celui-ci. Ne placez aucun objet lourd sur le câble d'alimentation. Le câble d'alimentation ne doit pas être plié, écrasé et entrer en contact avec une source de chaleur.

- N'utilisez pas de rallonge, de prise multiple ou d'adaptateur pour faire fonctionner votre appareil.
- Les prises multiples mobiles ou les blocs d'alimentation portatifs peuvent surchauffer et causer un incendie. Par conséquent, aucune prise multiple ne doit se trouver derrière ou à proximité de l'appareil.
- La prise doit être facilement accessible. Si cela n'est pas possible, l'installation électrique doit être dotée d'un mécanisme conforme à la réglementation en matière d'électricité et qui déconnecte toutes les bornes du réseau (fusible, interrupteur, commutateur principal, etc.).
- Évitez de toucher le cordon d'alimentation avec des mains humides.
- Lorsque vous débranchez l'appareil, ne tenez pas le cordon d'alimentation, mais la prise.

1.4 Sécurité de manipulation

- Assurez-vous de débrancher l'appareil avant de le transporter.
- Cet appareil est lourd, ne le manipulez pas seul. Vous risquez de vous blesser si le produit tombe sur vous. Ne heur-

tez pas l'appareil et ne le faites pas tomber pendant son transport.

- Fermez toujours les portes et ne tenez pas l'appareil par ses portes lorsque vous le transportez.
- Veillez à ne pas endommager le système de refroidissement et les tuyaux lorsque vous manipulez l'appareil. Évitez de faire fonctionner l'appareil si les tuyaux sont endommagés et contactez un service agréé.

1.5 Sûreté des installations

- Contactez le service agréé pour l'installation de votre réfrigérateur. Pour préparer l'appareil à l'utilisation, lisez attentivement les instructions du manuel d'utilisation et assurez-vous que les équipements électriques et d'approvisionnement d'eau sont installés convenablement. Si ce n'est pas le cas, appelez un électricien et un plombier qualifiés pour faire le nécessaire. Le non-respect de cette consigne peut entraîner un choc électrique, un incendie, des problèmes avec le produit ou des blessures.

- Le produit est conçu pour être utilisé dans des zones situées à 2 000 mètres au-dessous du niveau de la mer.
- Vérifiez que l'appareil n'est pas endommagé avant de l'installer. N'installez pas l'appareil lorsqu'il est endommagé.
- Utilisez toujours un équipement de protection individuelle (gants, etc.) pendant l'installation, l'entretien et la réparation du produit. Risque de blessures !
- Placez le produit sur une surface propre, plane et dure et équilibrez-le à l'aide des pieds réglables (en tournant les pieds avant vers la droite ou la gauche). Sinon, le réfrigérateur risque de se renverser et provoquer des blessures.
- Installez l'appareil dans un endroit sec et ventilé. Ne laissez pas de tapis, de moquettes ou d'autres revêtements similaires sous l'appareil. Ils peuvent entraîner un risque d'incendie en raison d'une ventilation inadéquate !
- N'obstruez pas ou ne couvrez pas les orifices de ventilation. Sinon, la consommation d'énergie risque d'augmenter et votre produit pourrait être endommagé.
- Lorsque vous installez le produit, veillez à ce que le câble d'alimentation ne soit pas endommagé ou pincé.
- Le produit ne doit pas être connecté à des systèmes d'alimentation tels que l'alimentation solaire. Sinon, votre produit peut être endommagé en raison de changements soudains de tension !
- Plus un réfrigérateur contient de réfrigérant, plus grande doit être la pièce d'installation. Dans les très petites pièces, un mélange gaz-air inflammable peut se produire en cas de fuite de gaz dans le système de refroidissement. Au moins 1 m³ de volume est requis pour chaque 8 grammes de réfrigérant. La quantité de réfrigérant disponible dans votre appareil est indiquée sur la plaque signalétique.
- Le lieu d'installation du produit ne doit pas être exposé à la lumière directe du soleil et ne doit pas se trouver à proximité d'une source de chaleur telle qu'un poêle, un radiateur, etc. Si vous ne pouvez pas empêcher l'installation du produit à proximité d'une source de chaleur, utilisez une plaque isolante appropriée et assurez-vous que la distance minimale

par rapport à la source de chaleur est conforme aux spécifications ci-dessous.

- À au moins 30 cm des sources de chaleur telles que les cuisinières, les fours, les appareils de chauffage, etc.
- Et à au moins 5 cm des fours électriques.
- Votre produit a la classe de protection I.
- Branchez le produit dans une prise avec mise à la terre conforme aux valeurs de tension, de courant et de fréquence indiquées sur la plaque signalétique. La prise de courant doit être équipée d'un fusible de 10 à 16A. Notre entreprise ne sera pas tenue responsable de tout dommage résultant de l'utilisation de l'appareil sans prise de mise à la terre et sans branchement électrique conforme aux normes locales et nationales en vigueur.
- Débranchez le câble d'alimentation du réfrigérateur pendant l'installation. Dans le cas contraire, vous risquez de vous électrocuter et de vous blesser !
- Ne branchez pas le cordon d'alimentation du produit dans des prises de courant lâches, disloquées, cassées, sales, huileuses et présentant un risque de contact avec l'eau. Ces types de branchements peuvent provoquer une surchauffe et un incendie.
- Placez le câble d'alimentation et les flexibles (si disponibles) de l'appareil de sorte qu'ils ne puissent pas provoquer de risque de trébuchement.
- La pénétration de l'humidité et de liquide sur les pièces sous tension ou sur le cordon d'alimentation peut provoquer un court-circuit. Par conséquent, n'utilisez pas l'appareil dans des environnements humides ou dans des zones où l'eau peut éclabousser (p. ex., garage, buanderie, etc.). Si le réfrigérateur est mouillé par l'eau, débranchez-le et communiquez avec un service autorisé.
- Ne branchez jamais votre réfrigérateur sur des dispositifs d'économie d'énergie. Ces systèmes sont nocifs pour l'appareil.
- En retirant le couvercle de la carte électronique et le couvercle arrière du compresseur (si présent), vous risquez d'entrer en contact avec des pièces électriques. Ne retirez pas le couvercle de la carte électro-

nique et le couvercle arrière du compresseur (si présent). Il existe un risque d'électrocution !



1.6 Sécurité de fonctionnement

- N'utilisez jamais de solvants chimiques sur le réfrigérateur. Ces matériaux présentent un risque d'explosion.
- En cas de panne de l'appareil, débranchez-le et ne l'utilisez pas avant sa réparation par le service autorisé. Il existe un risque d'électrocution !
- Ne placez pas une source de flamme (p. ex. des bougies, cigarettes, etc.) sur l'appareil ou à proximité de celui-ci.
- Ne montez pas sur l'appareil. Risque de chute et de blessure !
- N'endommagez pas les tuyaux du système de refroidissement avec des outils tranchants et perçants. Le réfrigérant qui s'échappe en cas de perforation des tuyaux à gaz, des tuyaux d'extension ou des revêtements de la surface supérieure peut provoquer une irritation de la peau et des lésions oculaires.
- Ne placez pas et n'utilisez pas d'appareils électriques à l'intérieur du réfrigérateur/congélateur, sauf avis contraire du fabricant.
- Ne coinciez pas les parties de vos mains ou de votre corps sur les parties mobiles à l'intérieur de l'appareil. Faites attention à ne pas coincer vos doigts entre le réfrigérateur et sa porte. Soyez prudent lorsque vous ouvrez ou fermez la porte en présence des enfants.
- Ne mettez pas de crème glacée, de glaçons ou d'aliments congelés dans votre bouche immédiatement après les avoir sortis du congélateur. Risque de gelure !
- Ne touchez pas les parois intérieures, les parties métalliques du congélateur ou les aliments conservés dans le congélateur avec les mains mouillées. Risque de gelure !
- Ne placez pas de canettes de soda ou de bouteilles contenant des liquides pouvant être congelés dans le compartiment congélateur. Les canettes ou les bouteilles peuvent exploser. Risque de blessures et de dommages matériels !

- N'utilisez pas ou ne placez pas de matériaux sensibles à la température tels que des aérosols inflammables, des objets inflammables, de la glace sèche ou d'autres agents chimiques à proximité du réfrigérateur. Risque d'incendie ou d'explosion !
- Ne stockez pas de matières explosives telles que des aérosols contenant des matériaux inflammables à l'intérieur de l'appareil.
- Ne placez pas de boîtes contenant des liquides sur l'appareil lorsqu'il est ouvert. Les éclaboussures d'eau sur une pièce électrique peuvent provoquer un choc électrique ou un incendie.
- Cet appareil n'est pas destiné au stockage et au refroidissement de médicaments, de plasma sanguin, de préparations de laboratoire ou de matériaux et produits similaires qui sont soumis à la directive sur les produits médicaux.
- Si l'appareil est utilisé à d'autres fins que celles pour lesquelles il a été conçu, il peut endommager ou détériorer les produits qu'il contient.
- Si votre réfrigérateur est équipé d'un voyant lumineux bleu, ne contemplez pas le voyant lumineux avec des instruments optiques. Ne fixez pas directement la lumière LED à UV pendant une longue période, car les rayons ultraviolets peuvent entraîner la fatigue oculaire.
- Ne remplissez pas l'appareil de contenu dépassant sa capacité. Des blessures ou des dégâts peuvent survenir au cas où le contenu du réfrigérateur tombe lorsque la porte est ouverte. Des problèmes similaires peuvent survenir lorsqu'un objet est placé sur l'appareil.
- Pour éviter tout risque de blessures, rassurez-vous que vous avez retiré toute la glace ou toute l'eau qui auraient pu se verser au sol.
- Changez l'emplacement des casiers/porte-bouteilles sur la porte de votre réfrigérateur uniquement lorsqu'ils sont vides. Risque de blessures !
- Ne placez aucun objet qui pourrait tomber ou basculer sur l'appareil. Ces objets peuvent tomber lors de l'ouverture ou de la fermeture de la porte, et causer des blessures et/ou des dégâts matériels.
- Ne frappez ni n'exercez aucune pression excessive sur les surfaces en verre. Le verre

brisé peut causer des blessures et/ou des dégâts matériels.

- Le système de refroidissement de votre appareil contient du réfrigérant R600a. Le type de réfrigérant utilisé dans l'appareil est indiqué sur la plaque signalétique. Ce gaz est inflammable. Par conséquent, veillez à ne pas endommager le système de refroidissement et les tuyaux pendant l'utilisation de l'appareil. Si les tuyaux sont endommagés :

1. Ne touchez pas l'appareil ni le câble d'alimentation,
2. Maintenez l'appareil éloigné des sources potentielles d'incendie qui pourraient causer l'incendie de l'appareil,
3. Aérez la zone où l'appareil est placé, - N'utilisez pas de ventilateur,
4. Contactez un centre de service agréé.

Si l'appareil est endommagé et que vous observez une fuite de gaz, éloignez-vous du gaz. Le gaz peut causer des gelures lorsqu'il entre en contact avec votre peau.

Avant de vous débarrasser des appareils usagés qui ne doivent plus être utilisés :

1. Débranchez le cordon d'alimentation de la prise de courant.
 2. Coupez le cordon d'alimentation et retirez-le de l'appareil avec la prise.
 3. Ne retirez pas les étagères et les tiroirs de l'appareil pour empêcher les enfants d'y pénétrer.
 4. Démontage des portes.
 5. Stockez l'appareil de façon à éviter qu'il se renverse.
 6. Ne laissez pas les enfants jouer avec un appareil usagé.
- Ne jetez pas l'appareil en le mettant au feu. Risque d'explosion.
 - Si une serrure est disponible sur la porte de l'appareil, gardez la clé hors de la portée des enfants.



1.7 Sécurité du stockage des aliments

Veillez prêter attention aux avertissements suivants afin d'éviter la détérioration des aliments :

- Laisser les portes ouvertes pendant une longue période peut entraîner une augmentation de la température à l'intérieur du produit.

- Nettoyez régulièrement les systèmes de drainage accessibles en contact avec les aliments.
- Nettoyez les réservoirs d'eau qui n'ont pas été utilisés pendant 48 heures et les systèmes d'alimentation en eau qui n'ont pas été utilisés pendant plus de 5 jours.
- Conservez les produits de viande et de poisson crus dans des compartiments appropriés à l'intérieur de l'appareil. Ainsi, ils ne coulent pas sur les autres aliments et n'entre pas en contact avec eux.
- Les compartiments de congélation à deux étoiles permettent de conserver les aliments pré-cuisinés, de préparer et de conserver la glace et la crème glacée.
- Les compartiments à une, deux et trois étoiles ne conviennent pas à la congélation des aliments frais.
- Si le produit réfrigérant est resté vide pendant une longue période, éteignez le produit, dégivrez, nettoyez et séchez le produit afin de protéger le boîtier de l'appareil.



1.8 Sécurité relative à l'entretien et au nettoyage

- Ne tirez pas sur la poignée de la porte si vous devez déplacer l'appareil pour le nettoyer. La poignée peut causer des blessures si vous la tirez trop fort.
- Ne nettoyez pas l'appareil en pulvérisant ou en versant de l'eau dessus et à l'intérieur. Risque de choc électrique et d'incendie.
- Lors du nettoyage de l'appareil, n'utilisez pas d'outils tranchants et abrasifs ni de produits de nettoyage ménagers, de détergents, d'essence, de diluant, d'alcool, de vernis et de substances similaires. Utilisez des produits de nettoyage et d'entretien qui ne sont pas nocifs pour les aliments uniquement à l'intérieur de l'appareil.
- N'utilisez jamais de vapeur ou de matériel de nettoyage à vapeur pour nettoyer l'appareil et faire fondre la glace qui s'y trouve. Lorsque la vapeur entre en contact avec les zones sensibles de votre réfrigérateur, elle peut provoquer un court-circuit ou un choc électrique.
- Veillez à éloigner l'eau des circuits électroniques ou de l'éclairage de l'appareil.

- Utilisez un torchon propre et sec pour essuyer la poussière ou les corps étrangers sur les extrémités des fiches. N'utilisez pas de torchon humide ou mouillé pour nettoyer la fiche. Ceci, pour éviter tout risque d'incendie ou de choc électrique.
- Les éclaboussures de liquide de refroidissement sont dangereuses pour les yeux. N'endommagez aucune partie du système de refroidissement lorsque vous mettez le produit au rebut.
- L'ingestion de l'huile du compresseur ou sa pénétration dans les voies respiratoires peut être fatale.
- Le système de refroidissement de votre produit comprend du gaz R600a comme spécifié sur la plaque signalétique. Ce gaz est inflammable. Ne jetez pas l'appareil en le mettant au feu. Risque d'explosion !

1.9 Mise au rebut de l'ancien produit

Lorsque vous mettez votre ancien produit au rebut, suivez les instructions ci-dessous :

- Pour éviter que les enfants ne s'enferment accidentellement dans le produit, désactivez le verrou de porte s'il en existe un.

2 Instructions environnementales

2.1 Conformité avec la directive DEEE et élimination des déchets



Cet appareil est conforme à la directive DEEE de l'Union européenne (2012/19/UE). Le produit possède un symbole de classification attribué aux déchets d'équipements électriques et électroniques (DEEE).

Ce symbole indique que cet appareil ne doit pas être mis au rebut avec les ordures ménagères à la fin de sa durée de vie. Les appareils usagés doivent être retournés au point de collecte officiel pour le recyclage des dispositifs électriques et électroniques. Pour trouver ces systèmes de collecte, veuillez contacter les autorités locales ou le

détaillant à l'endroit où l'appareil a été acheté. Chaque ménage joue un rôle important dans la récupération et le recyclage des vieux appareils ménagers. La mise au rebut appropriée des appareils usagés permet de prévenir les conséquences négatives potentielles pour l'environnement et la santé humaine.

Conformité à la directive RoHS

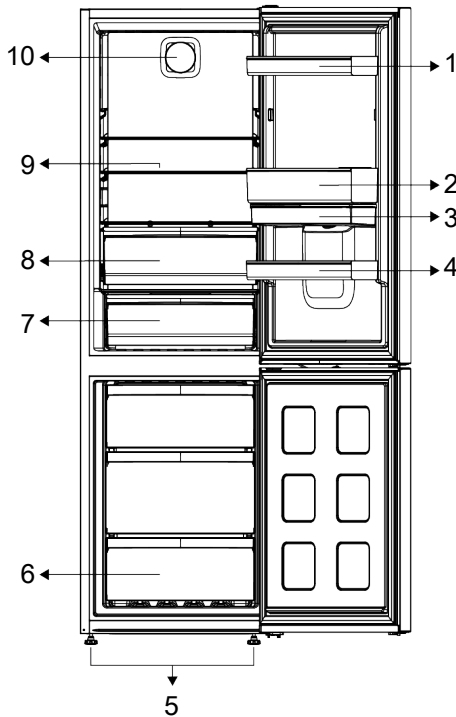
Votre appareil est conforme à la directive RoHS de l'Union européenne (2011/65/UE). Il ne comporte pas de matériaux dangereux et interdits mentionnés dans la directive.



Informations sur l'emballage

Les matériaux d'emballage de cet appareil sont fabriqués à partir de matériaux recyclables, conformément à nos réglementations nationales en matière d'environnement. Ne mettez pas les matériaux d'emballage au rebut avec les ordures ménagères et d'autres déchets. Apportez-les aux points de collecte des matériaux d'emballage désignés par les autorités locales.

3 Votre réfrigérateur



1 étagères de porte réglables

2 Porte-œuf

3 Distributeur d'eau

4 Étagère pour les bouteilles

5 Pieds réglables

6 Compartiment de congélation

7 Tiroir de stockage du froid

8 Bac à légumes

9 Étagères réglables

10 Ventilateur

*En option : Les illustrations présentées dans ce manuel d'utilisation sont schématiques et peuvent ne pas correspondre

exactement à votre produit. Si votre appareil ne présente pas les parties citées, alors l'information s'applique à d'autres modèles.

4 Installation



Lisez d'abord la section « Instructions de sécurité » !

4.1 Lieu idéal d'installation

Contactez le service agréé pour l'installation de votre réfrigérateur. Pour préparer l'installation du réfrigérateur, lisez attentivement les instructions du manuel d'utilisation et assurez-vous que les équipements électriques et d'approvisionnement d'eau sont installés convenablement. Si ce n'est pas le cas, appelez un électricien et un plombier pour faire le nécessaire pour les services publics.



AVERTISSEMENT :

Le fabricant ne sera pas tenu responsable en cas de problèmes causés par des travaux effectués par des personnes non autorisées.



AVERTISSEMENT :

Débranchez le câble d'alimentation du réfrigérateur pendant l'installation. Le non-respect de cette consigne peut entraîner la mort ou des blessures graves !



AVERTISSEMENT :

Si le cadre de la porte est trop étroit pour laisser passer l'appareil, retirez la porte et faites passer l'appareil sur les côtés ; si cela ne fonctionne pas, contactez le service agréé.

- Placez l'appareil sur une surface plane pour éviter les vibrations.
- Placez le produit à 30 cm du chauffage, de la cuisinière et des autres sources de chaleur similaires et à au moins 5 cm des fours électriques.

- N'exposez pas le produit directement à lumière du soleil et ne le laissez pas dans des environnements humides.
- Votre produit nécessite une circulation d'air adéquate pour pouvoir fonctionner efficacement. S'il est placé dans une alcôve, n'oubliez pas de laisser un espace d'au moins 5 cm entre l'appareil, le plafond, la paroi arrière et les parois latérales.
- Vérifiez que l'élément de protection d'espace de la façade arrière est présent à son emplacement (au cas où il est fourni avec l'appareil).
- Si l'élément n'est pas disponible, perdu ou tombé, positionnez l'appareil de manière à laisser un espace d'au moins 5 cm entre la surface arrière de l'appareil et les murs de la pièce. L'espace prévu à l'arrière est important pour le fonctionnement efficace de l'appareil.

4.2 Branchement électrique



Ne branchez pas le réfrigérateur sur une rallonge ou une multiprise.



Les câbles d'alimentation endommagés doivent être remplacés par le service agréé.



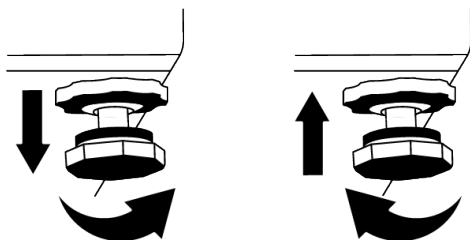
Lorsque deux réfrigérateurs sont installés côte à côte, laissez au moins 4 cm de distance entre les deux appareils

- Notre entreprise ne sera pas tenue responsable de tout dommage résultant de l'utilisation de l'appareil sans prise de mise à la terre ou branchement électrique conforme à la norme nationale en vigueur.

- Gardez la fiche du câble d'alimentation à portée de main après l'installation.
- N'utilisez pas de fiche multigroupe avec ou sans rallonge entre la prise murale et le réfrigérateur.

4.3 Réglages des pieds avant

Si l'appareil n'est pas équilibré, réglez les pieds avant en les tournant vers la gauche ou la droite.



5 Préparation



Lisez d'abord la section « Instructions de sécurité » !

5.1 Moyens d'économiser l'énergie



Il est dangereux de connecter l'appareil aux systèmes électroniques d'économie d'énergie, ils pourraient l'endommager.

- Cet appareil de réfrigération n'est pas conçu pour être utilisé comme un appareil encastré.
- Ne laissez pas la porte du réfrigérateur ouverte longtemps.
- Ne placez pas d'aliments ou de boissons chauds dans le réfrigérateur.
- Ne surchargez pas le réfrigérateur, l'obstruction du flux d'air interne réduira la capacité de réfrigération.
- Comme l'air chaud et humide ne pénètre pas directement dans votre produit lorsque les portes ne sont pas ouvertes, votre produit s'optimisera dans des conditions suffisantes pour protéger vos aliments. Dans ces conditions, les fonctions et les composants tels que le compresseur, le ventilateur, le chauffage, le dégivrage, l'éclairage, l'affichage, etc. fonctionneront en fonction des besoins en consommant un minimum d'énergie.
- Dans le cas où plusieurs options sont présentes, les étagères en verre doivent être placées de manière à ce que les sorties d'air de la paroi arrière ne soient pas bloquées et, de préférence, de manière à ce que les sorties d'air restent sous l'étagère en verre. Cette combinaison peut contribuer à améliorer la distribution de l'air et l'efficacité énergétique.
- Il est fortement recommandé d'utiliser le tiroir du bas pour le rangement.
- Selon les caractéristiques de l'appareil, le dégivrage des aliments congelés dans le compartiment réfrigérateur assurera l'économie d'énergie et la préservation de la qualité des aliments.
- Afin de charger la quantité maximale d'aliments dans le compartiment congélateur, vous devez retirer les tiroirs supérieurs et placer les aliments sur les clayettes métalliques/en verre.

4.4 Attention aux surfaces chaudes

Les parois latérales de votre produit sont équipées de tuyaux de refroidissement pour améliorer le système de refroidissement. Un fluide à haute pression peut s'écouler à travers ces surfaces, et provoquer des surfaces chaudes sur les parois latérales. C'est normal et cela ne nécessite pas d'entretien. Faites attention lorsque vous contactez ces zones.

- Les aliments sont stockés à l'aide des tiroirs du compartiment réfrigéré afin de garantir une économie d'énergie et de protéger les aliments dans de meilleures conditions.
- Les emballages de denrées alimentaires ne doivent pas être en contact direct avec le capteur de température situé dans le compartiment de congélation.

5.2 Première utilisation

Avant d'utiliser votre réfrigérateur, assurez-vous que les installations nécessaires sont conformes aux instructions des sections « Instructions en matière de sécurité et d'environnement » et « Installation ».

- Laissez l'appareil fonctionner à vide pendant 6 heures, et ne l'ouvrez pas sauf en cas de nécessité absolue.
- Le changement de température causé par l'ouverture et la fermeture de la porte pendant l'utilisation du produit peut normalement entraîner la formation de condensation sur les tablettes de la porte/du corps et sur les verres placés dans l'appareil.



Un son retentit à l'activation du compresseur. Il est normal que l'appareil fasse du bruit même si le compresseur ne fonctionne pas, car du fluide et du gaz peuvent être comprimés dans le système de refroidissement.



Il est normal que les bords avant du réfrigérateur soient chauds. Ces parties doivent en principe être chaudes afin d'éviter la condensation.



Pour certains modèles, le panneau indicateur s'éteint automatiquement 1 minute après la fermeture des portes. Il s'active à nouveau à l'ouverture de la porte ou lorsque vous appuyez sur n'importe quelle touche.

5.3 Classe climatique et définitions

Veillez vous référer à la classe climatique figurant sur la plaque signalétique de votre appareil. L'une des informations suivantes s'applique à votre appareil selon la classe climatique.

- **SN** : Climat tempéré à long terme : Ce dispositif de refroidissement est conçu pour être utilisé à une température ambiante comprise entre 10 °C et 32 °C.
- **N** : Climat tempéré : Ce dispositif de refroidissement est conçu pour être utilisé à une température ambiante comprise entre 16°C et 32 °C.
- **ST** : Climat subtropical : Ce dispositif de refroidissement est conçu pour être utilisé à une température ambiante comprise entre 16°C et 38°C.
- **T** : Climat tropical : Ce dispositif de refroidissement est conçu pour être utilisé à une température ambiante comprise entre 16°C et 43°C.

6 Fonctionnement de l'appareil



Lisez d'abord la section « Instructions de sécurité » !

- Il ne faut pas utiliser d'outils mécaniques ou autres que les recommandations du fabricant pour accélérer l'opération de décongélation.
- Évitez d'utiliser des parties de votre réfrigérateur, telles que la porte ou les tiroirs, comme support ou comme marchepied. Cela peut faire trébucher le produit ou endommager ses composants.
- Le produit ne doit être utilisé que pour la conservation des aliments.

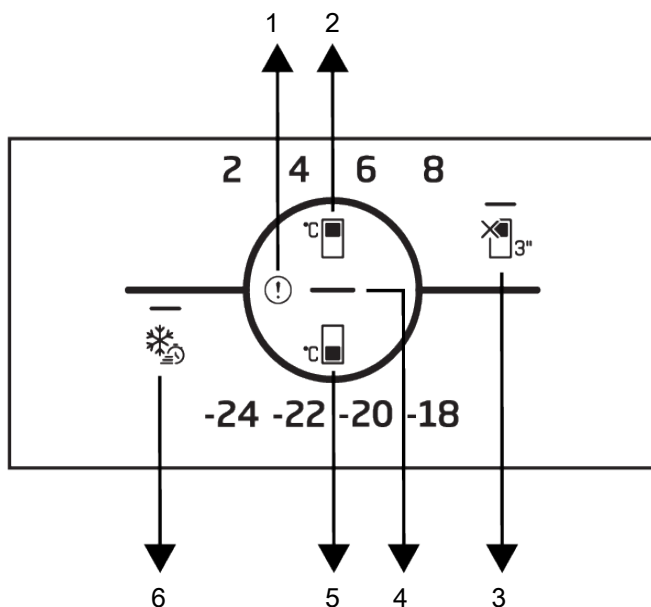
- Fermez le robinet d'eau si vous vous absentez de chez vous (par exemple, en vacances) et que vous n'utilisez pas le distributeur d'eau ou le distributeur de glace pendant une longue période. Dans le cas contraire, des fuites d'eau peuvent se produire.

Interruption du programme

- Si vous n'avez pas l'intention d'utiliser le produit pendant une longue période, débranchez-le de la prise de courant.
- Enlevez la nourriture pour éviter les odeurs.
- Attendez que la glace fonde, nettoyez l'intérieur et laissez-le sécher, laissez les portes ouvertes pour éviter d'endommager les plastiques intérieurs de la carrosserie.

7 Utilisation de votre appareil

7.1 Panneau de contrôle du produit



1 Indicateur de condition d'erreur

3 * Touche de fonction ARRÊT du compartiment réfrigéré (vacances)

5 Clé de réglage de la température du compartiment congélateur

2 * Clé de réglage de la température du compartiment de refroidissement

4 Indicateur d'économie d'énergie (affichage éteint)

6 Clé de congélation rapide



Lisez d'abord la section « Instructions de sécurité ».

Les fonctions sonores et visuelles dudit panneau vous aident à utiliser votre réfrigérateur.

***En option:** Les fonctions indiquées sont facultatives, il peut y avoir des différences de forme et d'emplacement au niveau des fonctions indiquées sur l'indicateur de votre appareil.

1. Indicateur de condition d'erreur

Cet indicateur doit être activé lorsque votre réfrigérateur ne peut pas assurer un refroidissement adéquat ou en cas d'erreur de capteur. Un point d'exclamation peut être affiché lorsque vous chargez des aliments chauds dans le compartiment de congélation ou que vous gardez la porte ouverte pendant une longue période. Il ne s'agit pas d'un défaut, cet avertissement disparaît lorsque l'aliment est refroidi ou lorsqu'on appuie sur une touche quelconque.

2. Clé de réglage de la température du compartiment de refroidissement

Permet de régler la température du compartiment de réfrigération. En appuyant sur la touche, la température du compartiment réfrigérant peut être réglée à 8 °C, 6 °C, 4 °C et 2 °C.

3. Touche de fonction Arrêt du compartiment réfrigéré (vacances)

Appuyez sur la touche pendant 3 secondes pour activer la fonction vacances. Le mode vacances est activé et la LED du symbole de vacances est allumée. Le compartiment de refroidissement n'assure pas la fonction de refroidissement actif. Vous ne devez pas conserver vos aliments dans le compartiment réfrigérateur lorsque cette fonction est activée. Les autres compartiments continuent à se refroidir en fonction des températures précédemment réglées. Il

suffit d'appuyer à nouveau sur la touche pendant 3 secondes pour annuler cette fonction.

4. Indicateur d'économie d'énergie (affichage éteint)

Lorsque les portes sont fermées pendant une longue période, le mode Économie d'énergie s'active automatiquement et l'icône d'économie d'énergie s'allume. Lorsque la fonction d'économie d'énergie est activée, toutes les icônes, excepté l'icône d'économie d'énergie, disparaissent de l'écran. Lorsque cette fonction est utilisée, la pression sur une touche quelconque ou l'ouverture de la porte entraîne sa désactivation et les voyants allumés retournent à la normale. La fonction d'économie d'énergie est une fonction activée départ usine et ne peut être annulée.

5. Clé de réglage de la température du compartiment Congélateur

Le réglage de la température est effectué pour le compartiment de congélation. Appuyez sur la touche pour régler la température du compartiment congélateur à des valeurs de -18 °C, -20 °C, -22 °C, -24 °C.

6. Touche de gel rapide

Dès que vous appuyez sur la touche d'arrêt rapide, le voyant LED de la touche s'allume et la fonction d'arrêt rapide est activée. La température du compartiment de congélation est réglée sur -27 °C. Appuyez à nouveau sur la touche pour annuler la fonction. La fonction de congélation rapide est automatiquement annulée après une période spécifique. Pour congeler une grande partie d'aliments frais, appuyez sur la touche de congélation rapide avant de mettre les aliments dans le compartiment congélateur.

7.2 Stockage des aliments dans le compartiment réfrigérant

Stockage des aliments dans le compartiment réfrigérant

- La température des compartiments augmente considérablement si la porte du compartiment est ouverte et fermée fréquemment et si elle reste ouverte pen-

dant longtemps, ce qui peut réduire la durée de vie des aliments et les faire se gâter.

- Afin de ne pas provoquer de changements d'odeur et de goût, les aliments doivent être conservés dans des récipients fermés.
- Ne conservez pas de quantités excessives d'aliments dans votre réfrigérateur. Pour obtenir un refroidissement plus efficace et homogène, placez les aliments séparément de manière à ce que l'air froid puisse circuler.
- Assurez la circulation de l'air en laissant un espace entre l'aliment et la paroi interne. Si vous appuyez les aliments contre la paroi arrière, ils risquent de geler.
- Amenez les plats chauds cuisinés à la température ambiante avant de les placer dans le réfrigérateur. Ensuite, vous pouvez placer le repas tiède dans les étagères inférieures de votre réfrigérateur. Ne placez pas les repas tièdes à proximité des aliments qui peuvent facilement se gâter.
- Décongelez vos aliments congelés dans le compartiment des aliments frais. Ainsi, vous pouvez refroidir le compartiment des aliments frais en utilisant des aliments congelés et économiser de l'énergie.
- Conservez les fruits tropicaux non mûrs (mangue, variétés de melon, papaye, banane, ananas) au réfrigérateur peut accélérer le processus de maturation. Ceci n'est pas recommandé car cela entraînera une réduction de la durée de stockage.
- Vous devez conserver les oignons, les aulx, les gingembres et les autres légumes-racines dans une pièce sombre et froide, et non au réfrigérateur.
- Si vous remarquez qu'un aliment a tourné dans le réfrigérateur, jetez-le et nettoyez les accessoires qui ont été en contact avec cet aliment.
- Pour refroidir rapidement les plats tels que les soupes et les ragoûts, qui sont cuits dans de grandes marmites, vous pouvez les mettre au réfrigérateur en les séparant dans leurs propres récipients peu profonds.
- Ne placez pas d'aliments non emballés à proximité des œufs.
- Conservez les fruits et légumes séparément et stockez chaque variété ensemble (par exemple : les pommes avec les pommes, les carottes avec les carottes).
- Sortez les légumes verts du sac en plastique et placez-les au réfrigérateur après les avoir enveloppés dans une serviette en papier ou un linge sec. Si vous lavez ce type d'aliments avant de les placer dans le réfrigérateur, n'oubliez pas de les sécher.
- Vous pouvez à la fois créer un environnement humide et assurer une circulation d'air en conservant les fruits et légumes, qui ont tendance à sécher, dans des sacs en plastique perforés ou non fermés.
- Sauf en cas de circonstances extrêmes dans l'environnement, si votre produit (sur le tableau des valeurs de consigne recommandées) est réglé sur les valeurs de consigne spécifiées, les aliments conservent leur fraîcheur plus longtemps, aussi bien dans le compartiment des produits frais que dans celui du congélateur.

Rangez les aliments dans les différents endroits en fonction de leurs propriétés :	
Aliment	Emplacement
Œuf	Balconnet
Produits laitiers (beurre, fromage)	Si disponible, compartiment zéro degré (pour les aliments du petit-déjeuner)
Fruits, légumes et verdure	Compartiment fruits-légumes, bac à légumes ou Compartiment EverFresh+ (si disponible)

Rangez les aliments dans les différents endroits en fonction de leurs propriétés :	
Aliment	Emplacement
Viande fraîche, volaille, poisson, saucisses, etc. Aliments cuits	Si disponible, compartiment zéro degré (pour les aliments du petit-déjeuner)
Aliments prêts à consommer, produits emballés, conserves, produits marinés	Étagères supérieures ou balconnet
Boissons, bouteilles, épices et snacks	Balconnet

Stockage des aliments dans le compartiment congélateur

- Vous pouvez activer la fonction de congélation rapide 4-6 heures avant la fonction de congélation et effectuer un refroidissement plus rapide.
- Amenez les repas chauds à la température ambiante avant de les placer dans le compartiment congélateur.
- Les aliments à congeler doivent être divisés en portions en fonction de la taille à consommer, et congelés dans des emballages séparés.
- Il est recommandé d'emballer les aliments avant de les placer dans le congélateur.
- Afin de prévenir l'expiration du temps de conservation, inscrivez la date et l'heure de congélation ainsi que le nom du produit sur l'emballage, en fonction des temps de conservation des différents aliments.
- Consommez rapidement les aliments que vous avez décongelés. Les aliments décongelés ne peuvent être recongelés que s'ils sont cuits. Il n'est pas sûr de consommer les aliments frais recongelés sans cuisson après leur décongélation.
- Lorsque vous congelez des aliments frais, ne les mettez pas en contact avec des aliments déjà congelés. Sinon, les aliments congelés seront décongelés.

Stockage des aliments vendus surgelés

- Suivez toujours les instructions du producteur en ce qui concerne le temps pendant lequel vous devez conserver vos aliments. Ne dépassez pas le temps indiqué dans ces instructions !
- Afin de préserver la qualité des aliments, veillez à ce que l'intervalle de temps entre la transaction d'achat et le stockage soit aussi court que possible.
- Achetez les aliments congelés qui sont conservés à -18°C ou à des températures inférieures.
- Évitez d'acheter des aliments dont l'emballage est recouvert de glace, etc. Cela signifie que le produit pourrait être partiellement décongelé et recongelé. La température a un impact sur la qualité des aliments.
- Ne dépassez pas la durée de conservation recommandée par le producteur de l'aliment. Ne sortez du congélateur que les aliments dont vous avez besoin.
- Sauf en cas de circonstances extrêmes dans l'environnement, si votre produit (sur le tableau des valeurs de consigne recommandées) est réglé sur les valeurs de consigne spécifiées, les aliments conservent leur fraîcheur plus longtemps, aussi bien dans le compartiment des produits frais que dans celui du congélateur.
- Si le compartiment des aliments frais est réglé sur une température inférieure, les fruits et légumes frais peuvent être partiellement congelés.

Tableau des valeurs de réglage recommandées

Réglage du compartiment congélateur	Réglage du compartiment réfrigérateur	Remarques
-22 °C	4 °C	Ce réglage est celui qui est recommandé par défaut. Ce réglage est recommandé si la température ambiante est inférieure à 30 °C.
-20 °C	6 °C	Ces réglages sont recommandés pour des températures ambiantes excédant 25 °C.
Congélation rapide	4 °C	Est utilisée lorsque vous voulez congeler vos denrées pendant une courte période. Lorsque le processus est terminé, il retourne à sa position précédente.

Détails du congélateur

Selon les normes IEC 62552, à une température ambiante de 25° C, le congélateur doit pouvoir congeler 4,5 kg de denrées alimentaires à - 18° C ou à des températures inférieures en 24 heures pour chaque 100 litres de volume du compartiment congélateur.

Les aliments peuvent être préservés pour des périodes prolongées uniquement à des températures inférieures ou égales à - 18° C.

Vous pouvez garder les aliments frais pendant des mois (dans le congélateur à des températures inférieures ou égales à - 18° C).

Les aliments à congeler ne doivent pas être en contact avec ceux déjà congelés pour éviter un dégivrage partiel.

Faites bouillir les légumes et filtrez l'eau pour prolonger la durée de conservation à l'état congelé. Placez les aliments dans des emballages sous vide après les avoir filtrés et placez-les dans le congélateur. Les bananes, les tomates, les feuilles de laitue, le céleri, les œufs durs, les pommes de terre et les aliments similaires ne doivent pas être congelés. Si ces aliments sont congelés, seules les valeurs nutritionnelles et les qualités gustatives seront affectées. Une pourriture qui mettrait en danger la santé humaine n'est pas à l'ordre du jour.

Placer les aliments

Balconnets du compartiment congélateur : Différents aliments congelés comme la viande, le poisson, la crème glacée, les légumes, etc.

Étagères du compartiment réfrigérateur

: Les aliments contenus dans des casseroles, des plats couverts, des gamelles et les œufs (dans des gamelles fermées)

Balconnets de la porte du compartiment réfrigérateur : Aliments ou boissons de petite taille et emballés.

Bac à légumes : Légumes et fruits

Compartiment des aliments frais : Delicatessen (aliments pour le petit déjeuner, produits carnés à consommer dans un délai court).

7.3 Technologies Crisper

Voyant lumineux bleu

Les fruits et légumes stockés dans les bacs à légumes éclairés par une lumière bleue continuent leur photosynthèse grâce à l'effet de longueur d'onde de la lumière bleue et préservent ainsi leur teneur en vitamine.

HarvestFresh

Les fruits et légumes conservés dans les bacs à légumes éclairés par la technologie HarvestFresh conservent leurs vitamines plus longtemps grâce aux lumières bleues, vertes, rouges et aux cycles d'obscurité, qui simulent un cycle de jour.

Lorsque la porte de votre réfrigérateur est ouverte pendant la période d'obscurité de la technologie HarvestFresh, votre réfrigérateur le détecte automatiquement et allume le bac à légumes avec l'une des lumières bleues, vertes ou rouges respectivement pour votre confort. Une fois que vous avez fermé la porte du réfrigérateur, la période d'obscurité se poursuit, représentant ainsi la nuit dans un cycle de jour.

7.4 Zone d'entreposage frais des produits laitiers

Tiroir de stockage du froid

Le tiroir de stockage du froid peut atteindre des températures plus basses dans le compartiment réfrigérant. Utilisez ce tiroir pour les produits de charcuterie (salami, saucisse, etc.) et les produits laitiers qui nécessitent des conditions de stockage plus froides, ou pour la viande, le poulet ou le poisson à consommer rapidement. Il n'est pas possible de stocker des fruits et des légumes dans ce tiroir.

7.5 Inversion du côté d'ouverture de la porte

Le côté d'ouverture de la porte de votre réfrigérateur peut être inversé en fonction de l'endroit où vous le placez. En cas de besoin, vous devez absolument appeler le service agréé le plus proche.

7.6 Alerte de porte ouverte

Le système d'alerte d'ouverture de porte de votre réfrigérateur peut varier selon le modèle.

Version 1;

Si la porte du produit reste ouverte pendant un certain temps (entre 60 s et 120 s), un signal d'avertissement sonore retentit ; selon le modèle de produit, un signal d'avertissement visuel (flash lumineux) peut également être affiché. Si vous fermez la porte de l'appareil ou appuyez sur une touche de l'écran de l'appareil, le signal d'avertissement sonore s'arrête.

Version 2;

Si la porte de l'appareil reste ouverte pendant un certain temps (entre 60 s et 120 s), l'alarme d'ouverture de porte retentit. L'alarme d'ouverture de porte retentit progressivement. Un signal d'avertissement sonore retentit d'abord. Si la porte n'est toujours pas fermée après 4 minutes, un avertissement visuel (lumière clignotante) est activé. L'alarme d'ouverture de porte est retardée pendant un certain temps (entre 60

s et 120 s) si l'on appuie sur n'importe quelle touche de l'écran du produit (le cas échéant). Le processus recommence alors. Lorsque la porte de l'appareil est fermée, l'alarme d'ouverture de porte est annulée.

7.7 Remplacement de la lampe d'éclairage

Appelez le service autorisé lorsque l'ampoule/LED utilisée pour l'éclairage de votre réfrigérateur doit être remplacée.

La ou les lampes utilisées dans cet appareil ne peuvent pas être utilisées pour l'éclairage de la maison. L'objectif de cette lampe est d'aider l'utilisateur à placer les aliments dans le réfrigérateur/congélateur de manière sûre et confortable.

7.8 Utilisation du distributeur d'eau

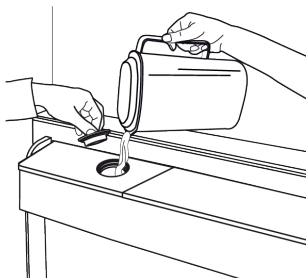
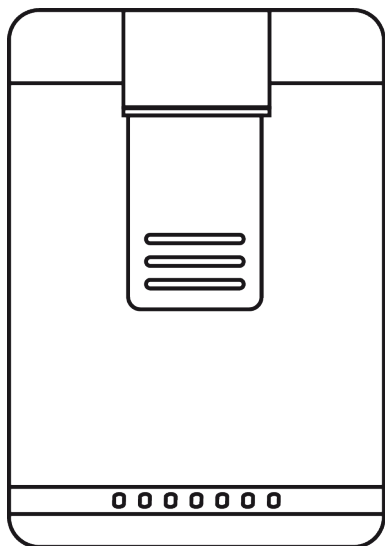


Les premiers verres d'eau obtenue du distributeur d'eau doivent normalement être chauds.



Lorsque le distributeur d'eau n'est pas utilisé pendant une longue durée, il faut jeter les premiers verres d'eau qu'il produit afin d'obtenir de l'eau propre.

1. Poussez le bras du distributeur d'eau avec votre verre. Il serait plus facile de presser le bras avec la main si vous utilisez un verre en plastique souple.
2. Relâchez le bras après avoir rempli votre verre d'eau comme vous le souhaitez.



La quantité d'eau qui s'écoule de la fontaine dépend de la pression que vous exercez sur le bras. Relâchez légèrement la pression sur le bras lorsque le niveau d'eau dans votre verre/récipient augmente pour éviter le débordement. L'eau s'égoutte si vous appuyez légèrement sur le bras ; c'est normal et ce n'est pas un dysfonctionnement.



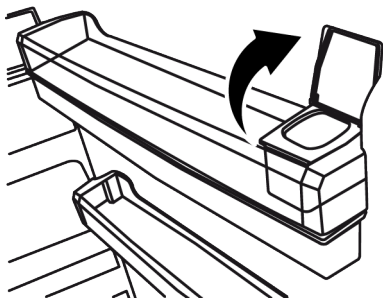
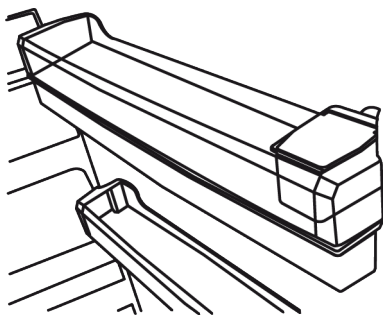
La capacité du réservoir d'eau est de 3 litres, ne le remplissez pas trop.

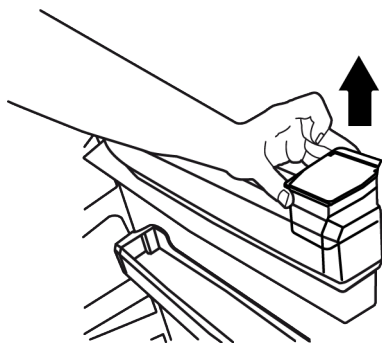
Remplir le réservoir du distributeur d'eau

1. Ouvrez le couvercle du réservoir d'eau comme indiqué sur la figure. Remplissez-le d'eau pure et potable. Remplacez le couvercle.

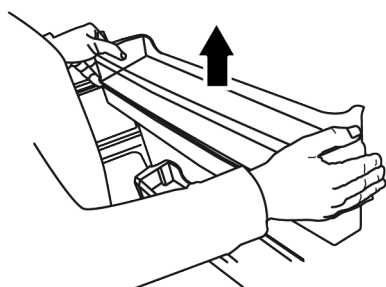
Nettoyage du réservoir d'eau

1. Retirez le réservoir d'eau à l'intérieur du balconnet.

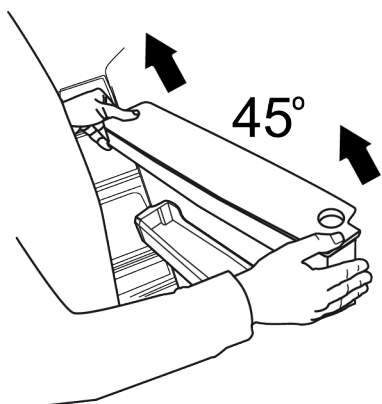




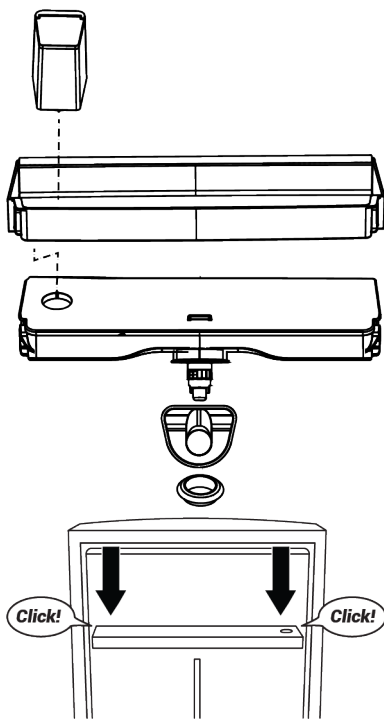
1. Détachez en tenant les deux côtés de l'étagère de la porte.





2. Tenez les deux côtés du réservoir et tirez-le dans un angle de 45°.



3. Retirez le couvercle du réservoir et nettoyez-le.



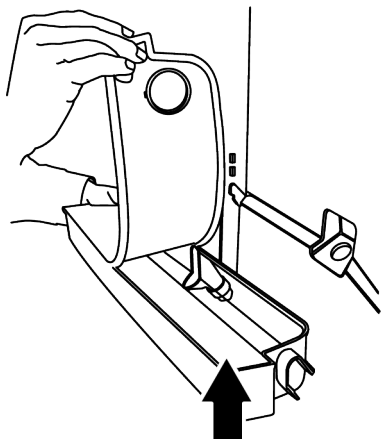
 Ne remplissez pas le réservoir d'eau de jus de fruits, de boissons gazeuses, de boissons alcoolisées ou tout autre liquide inapproprié à l'utilisation du distributeur d'eau. L'utilisation de tels liquides pourrait causer un dysfonctionnement ou des dommages irréparables dans le distributeur. Cette utilisation du distributeur n'est pas couverte par la garantie. Certains produits chimiques et additifs contenus dans ces boissons / liquides peuvent causer des dommages matériels au réservoir d'eau.

 Utilisez uniquement de l'eau potable propre.



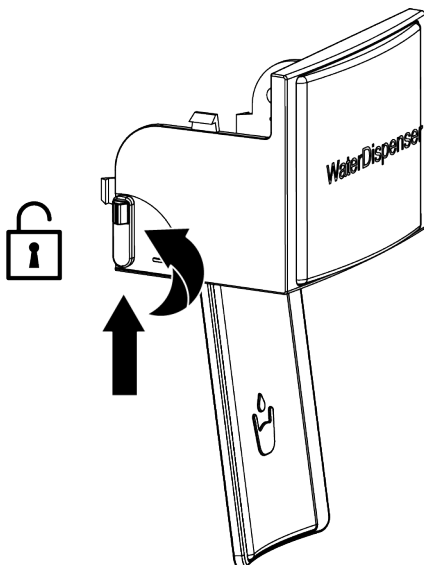
REMARQUE

Ne lavez pas les composants du réservoir d'eau et du distributeur d'eau dans le lave-vaisselle.

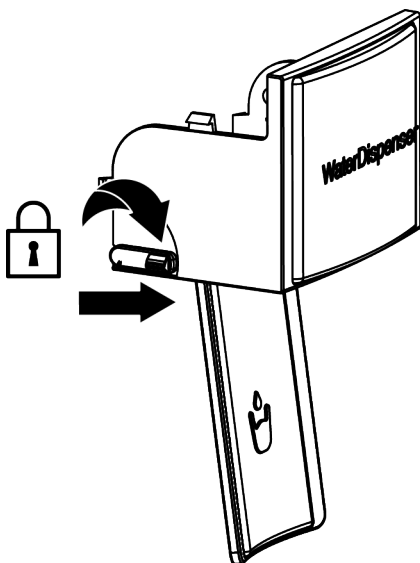


Avant d'utiliser le distributeur d'eau dans le produit, vérifiez si la sécurité enfant est active ou non. Regardez les informations dans les figures sur les positions ON/OFF de la sécurité enfant pour vérifier. Assurez-vous que la sécurité enfant se ferme exactement comme dans la figure lorsqu'elle est désactivée.

La sécurité enfant est activée comme ceci.



La sécurité enfant est désactivée comme ceci.



8 Entretien et nettoyage



AVERTISSEMENT :

Lisez d'abord la section « Instructions de sécurité ».



AVERTISSEMENT :

Débranchez le réfrigérateur avant le nettoyage.

- N'utilisez pas des objets pointus ou des produits de nettoyage abrasifs pour nettoyer l'appareil. Il ne faut pas utiliser de matériaux tels que des produits d'entretien ménager, du savon, des détergents, du gaz, de l'essence, un diluant, de l'alcool, de la cire, etc.
- La poussière doit être enlevée de la grille de ventilation située à l'arrière du produit au moins une fois par an (sans ouvrir le couvercle). Nettoyez l'appareil avec un chiffon humide.
- Veillez à ne pas mouiller le logement de la lampe ainsi que d'autres composants électriques.
- Nettoyez la porte avec un chiffon humide. Retirez tout le contenu pour enlever la porte et les supports de carrosserie. Retirez les supports de porte en les soulevant vers le haut. Nettoyez et séchez les étagères, puis refixez-les en les faisant glisser à partir du haut.
- N'utilisez pas d'eau contenant du chlore, ou des produits de nettoyage pour les surfaces externes et les pièces chromées de l'appareil. Le chlore entraîne la corrosion de ce type de surfaces métalliques.
- Il ne faut pas utiliser d'outils tranchants et abrasifs, de savon, de produits d'entretien ménager, de détergents, de gaz, d'essence, de vernis et de substances similaires pour empêcher la déformation de la pièce en plastique et l'élimination des empreintes sur la pièce. Utilisez de l'eau chaude et un chiffon doux pour le nettoyage, puis séchez-le.
- Sur les produits sans fonction « No-Frost », des gouttelettes d'eau et un givre pouvant atteindre l'épaisseur d'un doigt peuvent se former sur la paroi arrière du compartiment congélateur. Ne nettoyez pas et n'appliquez jamais d'huiles ou de produits similaires.
- Utilisez un chiffon en microfibrilles légèrement humidifié pour nettoyer la surface extérieure du produit. Les éponges et autres types de vêtements de nettoyage peuvent provoquer des éraflures.
- Afin de nettoyer tous les composants amovibles pendant le nettoyage de la surface intérieure du produit, il faut laver ces composants avec une solution douce composée de savon, d'eau et de carbonate. Lavez et séchez soigneusement. Évitez le contact de l'eau avec les composants d'éclairage et le panneau de contrôle.



ATTENTION :

N'utilisez pas de vinaigre, d'alcool à friction ni de produits nettoyants à base d'alcool sur les surfaces intérieures.

Surfaces extérieures en acier inoxydable

Utilisez un produit de nettoyage non abrasif pour l'acier inoxydable et appliquez-le avec un chiffon doux non pelucheux. Pour polir, essuyez doucement la surface avec un chiffon en microfibrilles humidifié à l'eau et utilisez une peau de chamois sèche. Suivez toujours les veines de l'acier inoxydable.

Prévention des odeurs

À sa sortie d'usine, cet appareil ne contient aucun matériau odorant. Cependant, la conservation des aliments dans des sections inappropriées et le mauvais nettoyage de l'intérieur peuvent donner lieu aux mauvaises odeurs.

- Pour éviter cela, nettoyez l'intérieur à l'aide de carbonate dissout dans l'eau tous les 15 jours.
- Conservez les aliments dans des récipients scellés, car les micro-organismes provenant des aliments conservés dans des récipients non scellés provoquent une mauvaise odeur.
- Ne conservez pas d'aliments périmés ou avariés dans le réfrigérateur.

Protection des surfaces en plastique

Si de l'huile se répand sur les surfaces en plastique, il faut immédiatement les nettoyer avec de l'eau tiède, sinon elles seront endommagées.

9 Dépannage

Vérifiez la liste suivante avant de contacter le service après-vente. Cela devrait vous éviter de perdre du temps et de l'argent. Cette liste répertorie les plaintes fréquentes ne provenant pas de vices de fabrication ou des défauts de pièces. Certaines fonctionnalités mentionnées dans ce manuel peuvent ne pas exister sur votre modèle.

Le réfrigérateur ne fonctionne pas.

- La fiche électrique n'est pas correctement insérée. >>> Branchez-la en l'enfonçant complètement dans la prise.
- Le fusible branché à la prise qui alimente l'appareil ou le fusible principal est grillé. >>> Vérifiez les fusibles.

Condensation sur la paroi latérale du congélateur (MULTI ZONE, COOL, CONTROL et FLEXI ZONE).

- La porte a été ouverte trop fréquemment >>> Évitez d'ouvrir trop fréquemment la porte de l'appareil.
- L'environnement est trop humide. >>> N'installez pas l'appareil dans des endroits humides.
- Les aliments contenant des liquides sont conservés dans des récipients non fermés. >>> Conservez ces aliments dans des emballages scellés.
- La porte de l'appareil est restée ouverte. >>> Ne laissez pas la porte de l'appareil ouverte longtemps.
- Le thermostat est réglé sur une température très froide. >>> Réglez le thermostat à la température appropriée.

Le compresseur ne fonctionne pas.

- En cas de coupure soudaine de courant ou de débranchement intempestif, la pression du gaz dans le système de réfrigération de l'appareil n'est pas équilibrée, ce qui déclenche la fonction de conservation thermique du compresseur. L'appareil se remet en marche au bout de 6 minutes environ. Dans le cas contraire, veuillez contacter le service de maintenance.

- Le dégivrage est actif. >>> Ce processus est normal pour un appareil à dégivrage complètement automatique. Le dégivrage se déclenche périodiquement.
- L'appareil n'est pas branché. >>> Vérifiez que le cordon d'alimentation est branché.
- Le réglage de la température est incorrect. >>> Sélectionnez le réglage de température approprié.
- Absence d'énergie électrique. >>> Le produit continuera à fonctionner normalement une fois le courant rétabli.

Le bruit du réfrigérateur en fonctionnement s'accroît pendant son utilisation.

- Le rendement de l'appareil en fonctionnement peut varier en fonction des fluctuations de la température ambiante. Ceci est normal et ne constitue pas un dysfonctionnement.

Le réfrigérateur fonctionne fréquemment ou pendant de longues périodes.

- Il se peut que le nouvel appareil soit plus grand que l'ancien. Les appareils plus grands fonctionnent plus longtemps.
- La température de la pièce est peut-être trop élevée. >>> Il est normal que l'appareil fonctionne plus longtemps quand la température de la pièce est élevée.
- L'appareil vient peut-être d'être branché ou chargé de nouvelles denrées alimentaires. >>> L'appareil met plus longtemps à atteindre la température réglée s'il vient d'être branché ou récemment rempli de denrées. C'est normal.
- Il est possible que des quantités importantes d'aliments chauds aient été récemment placées dans l'appareil. >>> Ne mettez pas d'aliments chauds à l'intérieur de l'appareil.
- Les portes étaient ouvertes fréquemment ou sont restées longtemps ouvertes. >>> L'air chaud qui se déplace à l'intérieur permet à l'appareil de fonctionner plus longtemps. N'ouvrez pas les portes trop fréquemment.

- Il est possible que la porte du congélateur soit entrouverte. >>> Vérifiez que les portes sont complètement fermées.
- L'appareil peut être réglé à une température trop basse. >>> Réglez la température à un degré supérieur et attendez que l'appareil atteigne la nouvelle température.
- Le joint de la porte du congélateur peut être sale, usé, cassé, ou mal positionné. >>> Nettoyez ou remplacez le joint d'étanchéité. Si le joint du congélateur est endommagé ou arraché, l'appareil prendra plus longtemps à conserver la température actuelle.

La température du congélateur est très basse, alors que celle du réfrigérateur est appropriée.

- La température du compartiment congélateur est très basse. >>> Réglez la température du compartiment congélateur à un degré supérieur et vérifiez à nouveau.

La température du réfrigérateur est très basse, alors que celle du congélateur est appropriée.

- La température du compartiment réfrigérateur est très basse. >>> Réglez la température du compartiment de refroidissement à un degré supérieur et vérifiez à nouveau.

Les aliments conservés dans le compartiment réfrigérateur sont congelés.

- La température du compartiment réfrigérateur est très basse. >>> Réglez la température du compartiment de refroidissement à un degré supérieur et vérifiez à nouveau.

La température du compartiment réfrigérateur ou congélateur est très élevée.

- La température du compartiment réfrigérateur est réglée à un degré très élevé. >>> Le réglage de la température du compartiment réfrigérateur a une incidence sur la température du compartiment congélateur. Attendez jusqu'à ce que la température des pièces correspondantes

atteigne le niveau d'efficacité requis en changeant la température des compartiments réfrigérateur ou congélateur.

- Les portes étaient ouvertes fréquemment ou sont restées longtemps ouvertes. >>> N'ouvrez pas les portes trop fréquemment.
- La porte peut être entrouverte. >>> Fermez complètement la porte.
- L'appareil vient peut-être d'être branché ou chargé de nouvelles denrées alimentaires. >>> Cela est normal. L'appareil met plus longtemps à atteindre la température réglée s'il vient d'être branché ou récemment rempli de denrées.
- Il est possible que des quantités importantes d'aliments chauds aient été récemment placées dans l'appareil. >>> Ne mettez pas d'aliments chauds à l'intérieur de l'appareil.

En cas de vibrations ou de bruits.

- La surface n'est pas plate ou durable >>> Si l'appareil balance lorsqu'il est déplacé doucement, ajustez les supports afin de le remettre en équilibre. Assurez-vous également que le sol est assez solide pour supporter l'appareil.
- Les éléments placés sur l'appareil peuvent être à l'origine du bruit. >>> Retirez tous les éléments placés sur l'appareil.
- L'appareil émet un bruit d'écoulement de liquide ou de pulvérisation, etc.
- Les principes de fonctionnement de l'appareil impliquent des écoulements de liquides et des émissions de gaz. >>> Ceci est normal et ne constitue pas un dysfonctionnement.

L'appareil émet un sifflement.

- L'appareil effectue le refroidissement à l'aide d'un ventilateur. Ceci est normal et ne constitue pas un dysfonctionnement.

Il y a de la condensation sur les parois internes de l'appareil.

- Un climat chaud ou humide accélère le processus de givrage et de condensation. Ceci est normal et ne constitue pas un dysfonctionnement.

- Les portes étaient ouvertes fréquemment ou sont restées longtemps ouvertes. >>> N'ouvrez pas les portes trop fréquemment ; fermez-les lorsqu'elles sont ouvertes.
- La porte peut être entrouverte. >>> Fermez complètement la porte.

Il y a de la condensation sur les parois externes ou entre les portes de l'appareil.

- Il se peut que le climat ambiant soit humide, auquel cas cela est normal. >>> La condensation se dissipera lorsque l'humidité sera réduite.

Présence d'une odeur désagréable dans l'appareil.

- L'appareil n'est pas nettoyé régulièrement. >>> Nettoyez régulièrement l'intérieur à l'aide d'une éponge, de l'eau tiède et du carbonate dissout dans l'eau.
- Certains récipients et matériaux d'emballage sont peut-être à l'origine des mauvaises odeurs. >>> Utilisez des récipients et des emballages exempts de toute odeur.
- Les aliments étaient placés dans des récipients ouverts. >>> Conservez les aliments dans des récipients fermés. Des micro-organismes peuvent se proliférer dans des récipients non fermés et émettre de mauvaises odeurs.
- Retirez tous les aliments périmés ou avariés de l'appareil.

La porte ne se ferme pas.

- Les paquets d'aliments peuvent bloquer la porte. >>> Déplacez tout ce qui bloque les portes.

- L'appareil ne se tient pas parfaitement droit sur le sol. >>> Ajustez les supports afin de remettre l'appareil en équilibre.
- La surface n'est pas plane ou durable >>> Assurez-vous que la surface est plane et suffisamment durable pour supporter le produit.

Le bac à légumes est bloqué.

- Il est possible que les aliments soient en contact avec la section supérieure du bac. >>> Reclassez les aliments dans le bac.

Température à la surface de l'appareil.

- Une température élevée peut être observée entre deux portes, sur les panneaux latéraux et sur la zone du gril arrière lorsque votre produit est utilisé. C'est normal et cela ne nécessite pas d'entretien.

Le ventilateur continue de fonctionner lorsque la porte est ouverte.

- Le ventilateur peut continuer à fonctionner lorsque la porte du congélateur est ouverte.



AVERTISSEMENT : Si le problème persiste même après observation des instructions contenues dans cette partie, contactez votre fournisseur ou un service de maintenance agréé. N'essayez pas de réparer vous-même l'appareil. C'est normal.

CLAUDE DE NON-RESPONSABILITÉ / AVERTISSEMENT

Certaines défaillances (simples) peuvent être traitées de manière adéquate par l'utilisateur final sans qu'aucun problème de sécurité ou d'utilisation dangereuse ne survienne, à condition qu'elles soient effectuées dans les limites et conformément aux instructions suivantes (voir la section « Auto-réparation »).

Par conséquent, sauf autorisation contraire dans la section « Auto-réparation » ci-dessous, adressez-vous à des réparateurs professionnels agréés pour toutes réparations afin d'éviter des problèmes de sécurité. Un réparateur professionnel agréé est une personne à qui le fabricant a donné accès aux instructions et à la liste des pièces déta-

chées de ce produit selon les méthodes décrites dans les actes législatifs en application de la directive 2009/125/CE

Toutefois, seul l'agent de service (c'est-à-dire les réparateurs professionnels agréés) que vous pouvez joindre au numéro de téléphone indiqué dans le manuel d'utilisation/la carte de garantie ou par l'intermédiaire de votre fournisseur agréé peut fournir un service conformément aux conditions de garantie. Par conséquent, veuillez noter que les réparations effectuées par des réparateurs professionnels (qui ne sont pas autorisés par) Beko Marka annulent la garantie.

Auto-réparation

L'auto-réparation peut être effectuée par l'utilisateur final en ce qui concerne les pièces de rechange suivantes : poignées de porte, charnières de porte, plateaux, paniers et joints de porte (une liste mise à jour est également disponible sur support.beko.com à partir du 1er mars 2021).

En outre, pour garantir la sécurité du produit et éviter tout risque de blessure grave, ladite auto-réparation doit être effectuée en suivant les instructions du manuel d'utilisation pour l'auto-réparation ou celles disponibles sur support.beko.com. Pour votre sécurité, débranchez le produit avant de procéder à toute auto-réparation.

Les réparations et tentatives de réparation par les utilisateurs finaux pour des pièces ne figurant pas dans cette liste et/ou ne suivant pas les instructions des manuels d'utilisation pour l'auto-réparation ou celles disponibles sur support.beko.com, pourraient donner lieu à des problèmes de sécurité non imputables à Beko, et annuleront la garantie du produit.

Il est donc fortement recommandé aux utilisateurs finaux de s'abstenir de tenter d'effectuer des réparations ne figurant pas sur la liste des pièces de rechange mentionnée, mais de contacter dans de tels cas des ré-

parateurs professionnels autorisés ou des réparateurs professionnels agréés. Au contraire, de telles tentatives de la part des utilisateurs finaux peuvent causer des problèmes de sécurité et endommager le produit et, par la suite, provoquer un incendie, une inondation, une électrocution et des blessures corporelles graves.

À titre d'exemple, mais sans s'y limiter, vous devez vous adresser à des réparateurs professionnels autorisés ou à des réparateurs professionnels agréés pour les réparations suivantes : compresseur, circuit de refroidissement, carte mère, carte d'inverseur, panneau d'affichage, etc. Le fabricant/vendeur ne peut être tenu responsable dans tous les cas où les utilisateurs finaux ne se conforment pas à ce qui précède.

La disponibilité des pièces de rechange du réfrigérateur que vous avez acheté est de 10 ans. Pendant cette période, les pièces de rechange d'origine seront disponibles pour faire fonctionner le réfrigérateur correctement.

La durée minimale de garantie du réfrigérateur que vous avez acheté est de 24 mois.

Cet appareil est équipé d'une source d'éclairage de classe énergétique « G ».

La source d'éclairage de cet appareil ne doit être remplacée que par des réparateurs professionnels.



Voir également

- 2 CLAUSE DE NON-RESPONSABILITÉ / AVERTISSEMENT [] 61]

Моля, първо прочетете това ръководство за потребителя!

Уважаеми клиенти


Моля, прочетете това ръководство преди да използвате продукта.


Благодарим ви, че избрахте този Веко продукт. Бихме искали да постигнете оптимална ефективност от този висококачествен продукт, който е произведен по най-съвременна технология. За да направите това, прочетете внимателно това ръководство и всяка друга предоставена документация, преди да използвате продукта и го запазете като справка.


Обърнете внимание на цялата информация и предупреждения в ръководството за потребителя. По този начин ще защитите себе си и продукта си от опасностите, които могат да възникнат.


Запазете ръководството за употреба. Включете това ръководство към устройството, ако го предадете на някой друг.

В ръководството за потребителя се използват следните символи:




	Опасност, която може да доведе до смърт или нараняване.
--	---

	Важна информация или полезни съвети за работа.
--	--

	Прочетете ръководството за потребителя.
--	---

	Запалим материал, предупреждение срещу опасност от пожар.
--	---

ЗАБЕЛЕЖКА Опасност, която може да причини материални щети на продукта или заобикалящата го среда

		Информацията за модела, както се съхранява в базата данни за продукта, може да бъде достигната, като влезете в следния уебсайт и потърсите идентификатора на вашия модел (*), който се намира на енергийния етикет. https://eprel.ec.europa.eu/
SUPPLIER'S NAME	MODEL IDENTIFIER → (*)	
		

1	Инструкции за безопасност	64
1.1	Начин на употреба.....	64
1.2	Безопасност за деца, уязвими хора и домашни любимци.....	64
1.3	Електрическа безопасност.....	65
1.4	Безопасност при работа.....	66
1.5	Безопасност при монтажа.....	66
1.6	Безопасност при експлоатация	69
1.7	Безопасност при съхранение на храни.....	71
1.8	Безопасност при поддръжка и почистване	72
1.9	Изхвърляне на стария продукт.	73
2	Инструкции за околната среда. 74	74
2.1	Съответствие с директивата WEEE и изхвърляне на отпадъчния продукт.....	74
3	Вашият Хладилник	75
4	Монтаж	75
4.1	Правилно място за монтаж.....	75
4.2	Електрическа връзка	76
4.3	Регулиране на краката	76
4.4	Предупреждение за гореща повърхност	76
5	Подготовка	77
5.1	Какво да направите за спестяване на енергия	77
5.2	Първа употреба	77
5.3	Климатичен клас и дефиниции.	78
6	Начин на ползване на продукта 78	78
7	Използване на продукта	79
7.1	Контролен панел на продукта ..	79
7.2	Съхранение на храна в охлаждащното отделение	80
7.3	Технологии за отделенията за плодове и зеленчуци	83
7.4	Хладилна зона за млечни продукти	83
7.5	Обръщане на страната на отваряне на вратата.....	83
7.6	Door Open Alert	84
7.7	Смяна на осветителната лампа	84
7.8	Използване на Диспенсъра за Вода.....	84
8	Почистване и грижа.....	87

1 Инструкции за безопасност

- Този раздел включва инструкциите за безопасност, необходими за предотвратяване на риска от нараняване или материални щети.
- Нашата компания не носи отговорност за щети, които могат да възникнат, ако тези инструкции не се спазват.



Операциите по монтаж и ремонт винаги се извършват от производител, оторизиран сервиз или лице, което ще бъде описано от фирмата вносител.



Използвайте само оригинални резервни части и аксесоари.



Не ремонтирайте и не заменяйте който и да е компонент на продукта, освен ако това не е ясно указано в ръководството за потребителя.



Не извършвайте никакви модификации по продукта.

1.1 Начин на употреба

- Този продукт не е подходящ за търговска употреба и не трябва да се използва за цели, различни от предназначението му.
- Този продукт е предназначен за работа в интериори, като домакинства или подобни. Например;

В кухните за персонала на магазини, офиси и други работни среди,
Във фермерските къщи,
В обекти на хотели, мотели или други почивни бази, които се използват от клиентите,
В хостели или подобни среди,
В кетъринг услуги и подобни приложения извън търговията на дребно.

- Този продукт не трябва да се използва в открити или затворени външни среди като плавателни съдове, кемпери, балкони или тераси. Излагането на продукта на дъжд, сняг, слънчева светлина и вятър може да доведе до риск от пожар.



1.2 Безопасност за деца, уязвими хора и домашни любимци

- Този продукт може да се използва от деца на възраст над 8 години и лица с недостатъчно развити физически, сетивни или умствени способности или липса на опит и познания, ако са под надзор или са били инструктирани относно използването на уреда по безопасен начин и опасностите участващи.

- Деца между 3 и 8 години имат право да поставят и изваждат храна в/от охладителя.
- Електрическите продукти са опасни за деца и домашни любимци. Децата и домашните любимци не трябва да си играят, да се катерят или да влизат в продукта.
- Почистването и поддръжката на уреда не трябва да се извършват от деца, освен ако няма някой, който ги наблюдава.
- Пазете опаковъчните материали далеч от деца. Риск от нараняване и задушаване.

Преди да изхвърлите стари продукти, които вече не трябва да се използват:

1. Изключете захранващия кабел от контакта.
2. Отрежете захранващия кабел и го извадете от уреда заедно с щепсела.
3. Не изваждайте стелажите и чекмеджетата от продукта, за да предотвратите навлизането на деца вътре в уреда.
4. Свалете вратите.
5. Съхранявайте продукта, така че да не се преобърне.

6. Не позволявайте на деца да си играят с бракувания продукт.
- Не унищожавайте продукта, като го хвърляте в огън. Риск от експлозия.
 - Ако има налична ключалка на вратата на продукта, дръжте ключа далеч от деца.



1.3 Електрическа безопасност

- Продуктът не трябва да се включва в контакта по време на монтаж, поддръжка, почистване, ремонт и транспортиране.
- Ако захранващият кабел е повреден, той трябва да бъде заменен само от оторизиран сервиз, за да се избегнат всякакви рискове, които могат да възникнат.
- Не пъхайте захранващия кабел под продукта или в задната част на продукта. Не поставяйте тежки предмети върху захранващия кабел. Захранващият кабел не трябва да се огъва, смачква и да влиза в контакт с източник на топлина.
- Не използвайте удължител, мултищепсел или адаптер, за да работите с вашия продукт.
- Преносимите многофункционални щепсели или преносимите

захранвания могат да прегреят и да причинят пожар. Затова не използвайте разклонител, преносими източници на захранване зад или в близост до продукта.

- Не включвайте захранващия кабел на продукта в разхлабен или повреден електрически контакт. Тези видове връзки могат да прегреят и да причинят пожар.
- Щепселът трябва да е лесно достъпен. Ако това не е възможно, на електрическата инсталация трябва да има механизъм, който отговаря на електрическото законодателство и който изключва всички клеми от електрическата мрежа (предпазител, превключвател, главен прекъсвач и др.).
- Не докосвайте щепсела с мокри ръце.
- Когато изключвате уреда, не хващайте захранващия кабел, а щепсела.

1.4 Безопасност при работа

- Уверете се, че сте изключили уреда от контакта, преди да пренесете продукта.

- Този продукт е тежък, не опитвайте да се справите с него сами. Може да възникнат наранявания, ако продуктът падне върху вас. Не се блъскайте и не изпускате продукта, докато го транспортирате.
- Винаги затваряйте вратите и не дръжте продукта за вратите, докато го транспортирате.
- Внимавайте да не повредите охладителната система и тръбите, докато боравите с продукта. Не работете с продукта, ако тръбите са повредени и се свържете с оторизиран сервиз.

1.5 Безопасност при монтажа

- Свържете се с оторизирания сервиз за монтаж на продукта. За да подготвите продукта за употреба, вижте информацията в ръководството за потребителя и се уверете, че електрическата и водоснабдителната мрежа са необходими. Ако не, обадете се на квалифициран електротехник и водопроводчик, за да организират необходимите комунални услуги. Неспазването на това може

да доведе до токов удар, пожар, проблеми с продукта или нараняване.

- Продуктът е предназначен за използване в райони на 2000 метра под морското равнище.
- Проверете за повреди по продукта, преди да го монтирате. Не монтирайте продукта, ако е повреден.
- Винаги използвайте лични предпазни средства (ръкавици и др.) по време на монтаж, поддръжка и ремонт на продукта. Опасност от нараняване!
- Поставете продукта върху чиста, равна и твърда повърхност и го балансирайте с регулируемите крака (чрез завъртане на предните крачета надясно или наляво). В противен случай хладилникът може да се преобърне и да причини наранявания.
- Продуктът трябва да се монтира в суха и проветрива среда. Не дръжте килими, мокети или подобни покривки под продукта. Това може да доведе до риск от пожар в резултат на неадекватна вентилация!
- Не блокирайте и не покривайте вентилационните отвори. В противен случай консумацията на енергия се увеличава и вашият продукт може да се повреди.
- Когато поставяте продукта, уверете се, че захранващият кабел не е повреден или притиснат.
- Продуктът не трябва да се свързва към захранващи системи като слънчево захранване. В противен случай вашият продукт може да се повреди поради внезапни промени в напрежението!
- Колкото повече хладилен агент съдържа хладилникът, толкова по-голямо трябва да бъде помещението за монтаж. В много малки помещения може да се получи запалима газо-въздушна смес в случай на изтичане на газ в охладителната система. Необходим е най-малко 1 m³ обем за всеки 8 грама хладилен агент. Количеството на наличния хладилен агент във вашия продукт е посочено в етикета за типа.
- Мястото на монтаж на продукта не трябва да бъде изложено на пряка слънчева светлина и не трябва да е в близост до източник на топлина като печки, радиатори и др. Ако не

- можете да предотвратите инсталирането на продукта в близост до източник на топлина, използвайте подходяща изолационна плоча и се уверете, че минималното разстояние до източника на топлина е както е посочено по-долу:
- Най-малко 30 см от източници на топлина като печки, фурни, отоплителни уреди и печки и др.,
 - И поне на 5 см от електрическите фурни.
- Вашият продукт има клас на защита I.
 - Включете продукта в заземен контакт, който отговаря на стойностите за напрежение, ток и честота, посочени в етикета на типа. Контактът трябва да има предпазител 10A – 16A. Нашата фирма няма да поеме отговорност за щети, дължащи се на използване без заземяване и без захранваща връзка в съответствие с местните и национални разпоредби.
 - Захранващият кабел на продукта трябва да бъде изключен по време на монтажа. В противен случай може да възникне опасност от токов удар и нараняване!
 - Не включвайте захранващия кабел на продукта в разхлабени, разместени, счупени, мръсни, омаслени електрически контакти, които крият риск от контакт с вода. Тези видове връзки могат да причинят прегряване и пожар.
 - Поставете захранващия кабел и маркучите (ако има такива) на продукта така, че да не създават опасност от спъване.
 - Проникването на влага и течност в частите под напрежение или в захранващия кабел може да причини късо съединение. По този начин не използвайте продукта във влажна среда или в зони, където може да се пръсне вода (например гараж, перално помещение и т.н.) Ако хладилникът е мокър от вода, изключете го от контакта и се свържете с оторизиран сервиз.
 - Никога не свързвайте хладилника си към енергоспестяващи устройства. Тези системи са вредни за продукта.
 - Съществува риск от контакт с електрически части при премахване на капака на електронната платка и задния капак на компресора

(ако има такъв). Не отстранявайте капака на електронната платка и задния капак на компресора (ако има такъв). Съществува риск от токов удар!



1.6 Безопасност при експлоатация

- Никога не използвайте химически разтворители върху продукта. Тези материали съдържат опасност от взрив.
- В случай на повреда на продукта, изключете го от контакта и не го използвайте, докато не бъде поправен от оторизиран сервис. Съществува опасност от токов удар!
- Не поставяйте източник на пламък (напр. свещи, цигари и др.) върху продукта или в близост до него.
- Не се качвайте върху продукта. Опасност от падане и нараняване!
- Не причинявайте повреда на тръбите на охладителната система с остри и пробиващи инструменти. Хладилният агент, който се пръска в случай на пробиване на газовите тръби, тръбните удължителни или покритията на горната повърхност, може да причини дразнене на кожата и нараняване на очите.
- Не поставяйте и не работете с електрически уреди вътре в хладилника/фризера, освен ако не е препоръчано от производителя.
- Не притискайте никакви части от ръцете или тялото си към движещите се части вътре в продукта. Внимавайте да предотвратите засядане на пръстите си между хладилника и вратата му. Бъдете внимателни, когато отваряте или затваряте вратата, ако наоколо има деца.
- Не слагайте сладолед, кубчета лед или замразена храна в устата си веднага след като ги извадите от фризера. Риск от измръзване!
- Не докосвайте с мокри ръце вътрешните стени, металните части на фризера или храните, съхранявани във фризера. Риск от измръзване!
- Не поставяйте кутии със сода или кутии и бутилки, които съдържат течности, които могат да замръзнат във фризерното отделение. Кутии или бутилки могат да

- експлодират. Опасност от нараняване и материални щети!
- Не използвайте и не поставяйте материали, чувствителни към температурата, като запалими спрейове, запалими предмети, сух лед или други химически агенти в близост до хладилника. Опасност от пожар и експлозия!
 - Не съхранявайте експлозивни материали като аерозолни кутии със запалими материали вътре в продукта.
 - Не поставяйте кутии, съдържащи течности, върху продукта в отворено състояние. Пръскането на вода върху електрическа част може да причини токов удар или пожар.
 - Този продукт не е предназначен за съхранение и охлаждане на лекарства, кръвна плазма, лабораторни препарати или подобни материали и продукти, които са предмет на Директивата за медицинските продукти.
 - Ако продуктът се използва против предназначението му, това може да причини повреда или влошаване на продуктите, съхранявани вътре.
 - Ако вашият хладилник е оборудван със синя светлина, не гледайте тази светлина с оптични устройства. Не гледайте дълго време директно в UV LED светлина. Ултравioletовите лъчи могат да причинят напрежение в очите.
 - Не пълнете продукта с повече съдържание от неговия капацитет. Може да възникнат наранявания или щети, ако съдържанието на хладилника падне при отваряне на вратата. Подобни проблеми могат да възникнат и при поставяне на предмет върху продукта.
 - Уверете се, че сте премахнали лед или вода, които може да са паднали на пода, за да предотвратите наранявания.
 - Сменяйте местата на стелажите/рафтовете за бутилки на вратата на Вашия хладилник само когато стелажите са празни. Опасност от нараняване!
 - Не поставяйте върху продукта предмети, които могат да паднат или да се преобърнат. Тези предмети могат да паднат при отваряне или затваряне на

вратата и да причинят наранявания и/или материални щети.

- Не удряйте и не упражнявайте прекомерен натиск върху стъклени повърхности. Счупеното стъкло може да причини наранявания и/или материални щети.
- Охладителната система във вашия продукт съдържа хладилен агент R600a. Типът хладилен агент, използван в продукта, е посочен в етикета на типа. Този газ е запалим. Затова внимавайте да не повредите охладителната система и тръбите, докато работите с продукта. При повреда на тръбите;
 1. Не докосвайте продукта или хранящия кабел.
 2. Пазете продукта далеч от потенциални източници на огън, които могат да причинят запалване на продукта.
 3. Проветрете мястото, където е поставен продуктът. Не използвайте вентилатор.
 4. Свържете се с оторизиран сервиз.

Ако продуктът е повреден и забележите изтичане на газ, моля, стойте далеч от газа.

Газът може да причини измръзване, ако попадне в кожата ви.

Преди да изхвърлите стари продукти, които вече не трябва да се използват:

1. Изключете хранящия кабел от контакта.
 2. Отрежете хранящия кабел и го извадете от уреда заедно с щепсела.
 3. Не изваждайте стелажите и чекмеджетата от продукта, за да предотвратите навлизането на деца вътре в уреда.
 4. Свалете вратите.
 5. Съхранявайте продукта, така че да не се преобърне.
 6. Не позволявайте на деца да си играят с бракувания продукт.
- Не унищожавайте продукта, като го хвърляте в огън. Риск от експлозия.
 - Ако има налична ключалка на вратата на продукта, дръжте ключа далеч от деца.



1.7 Безопасност при съхранение на храни

Моля, обърнете внимание на следните предупреждения, за да избегнете разваляне на храната:

- Оставянето на вратите отворени за дълго време може да доведе до повишаване на температурата вътре в продукта.
- Редовно почиствайте достъпните дренажни системи в контакт с храна.
- Почистете резервоарите за вода, които не са били използвани в продължение на 48 часа, и системите за вода, захранвани от мрежата, които не са били използвани повече от 5 дни.
- Съхранявайте суровите месни и рибни продукти в подходящи отделения в продукта. Така не капе върху други храни и не влиза в контакт с тях.
- Двувездните фризерни отделения се използват за съхранение на предварително напълнени храни, приготвяне и съхранение на лед и сладолед.
- Отделения с една, две и три звезди не са подходящи за замразяване на прясна храна.
- Ако охлаждащият продукт е бил оставен празен за дълго време, изключете продукта, размразете, почистете и

изсушете продукта, за да защитите корпуса на продукта.



1.8 Безопасност при поддръжка и почистване

- Изключете хладилника от електрическата мрежа, преди да го почистите или да започнете да извършвате поддръжка.
- Не дърпайте за дръжката на вратата, ако ще преместите продукта с цел почистване. Дръжката може да причини наранявания, ако се дърпа твърде силно.
- Не поставяйте ръцете си и т.н. под хладилника. Може да възникне засядане или всеки остър ръб може да причини наранявания.
- Не почиствайте продукта чрез пръскане или изливане на вода върху продукта и вътре в продукта. Риск от токов удар и пожар.
- Когато почиствате продукта, не използвайте остри и абразивни инструменти или домакински почистващи препарати, перилен препарат, газ, бензин, разреждател, алкохол, лак и подобни вещества. Използвайте само препарати

за почистване и поддръжка, които не са вредни за храната вътре в продукта.

- Никога не използвайте пара или почистващи материали с пара за почистване на продукта и размразяване на леда в него. Парата влиза в контакт със зоните под напрежение във вашия хладилник и причинява късо съединение или токов удар.
- Не използвайте никакви механични инструменти или други инструменти освен препоръките на производителя, за да ускорите операцията по размразяване.
- Внимавайте да държите водата далеч от вентилационните отвори, електронните вериги или осветлението на продукта.
- Използвайте чиста, суха кърпа, за да избършете праха или чуждия материал по върховете на щепселите. Не използвайте мокро или влажно парче плат за почистване на щепсела. В

противен случай може да възникне опасност от пожар или токов удар.



1.9 Изхвърляне на стария продукт

Когато изхвърляте вашия стар продукт, следвайте инструкциите по-долу:

- За да предотвратите случайно заключване на децата в продукта, ако има заключване на вратата, направете го деактивирано.
- Пръскането на охлаждаща течност е вредно за очите. Не повреждайте никоя част от охладителната система, докато изхвърляте продукта.
- Може да бъде фатално, ако компресорното масло бъде погълнато или ако проникне в дихателните пътища.
- Охладителната система на вашия продукт включва газ R600a, както е посочено в типовия етикет. Този газ е запалим. Не унищожавайте продукта, като го хвърляте в огън. Опасност от експлозия!

2 Инструкции за околната среда

2.1 Съответствие с директивата WEEE и изхвърляне на отпадъчния продукт



Този продукт отговаря на Директивата за WEEE на ЕС (2012/19/EU). Този продукт носи символ за класификация за отпадъци от електрическо и електронно оборудване (WEEE).

Този символ показва, че този продукт не трябва да се изхвърля с други битови отпадъци в края на експлоатационния му живот. Използваното устройство трябва да бъде върнато в официалния събирателен пункт за рециклиране на електрически и електронни устройства. За да намерите тези системи за събиране, моля, свържете се с местните власти или търговец на дребно, откъдето е закупен продуктът. Всяко домакинство играе важна роля при възстановяването и рециклирането на

стария уред. Правилното изхвърляне на използвания уред помага за предотвратяване на потенциални негативни последици за околната среда и човешкото здраве.

BG

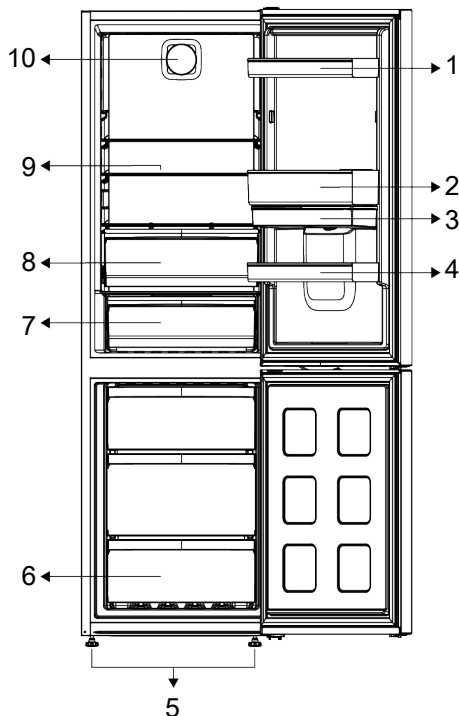
Съответствие с Директивата RoHS

Продуктът, който сте закупили, отговаря на директивата на ЕС RoHS (2011/65/EU). Не съдържа вредни и забранени материали, посочени в Директивата.



Информация за опаковката

Опаковъчните материали на продукта са произведени от рециклируеми материали в съответствие с нашите национални разпоредби за околната среда. Не изхвърляйте опаковъчните материали заедно с битовите или други отпадъци. Занесете ги до пунктовете за събиране на опаковъчни материали, определени от местните власти.




- | | |
|-----------------------------------|------------------------------------|
| 1 Регулируем рафт на вратата | 2 Поставка за яйца |
| 3 Диспенсьор за вода | 4 Рафт за бутилки |
| 5 Регулируеми крака | 6 Фризерно отделение |
| 7 Чекмедже за хладилно съхранение | 8 Отделение за плодове и зеленчуци |
| 9 Регулируеми рафтове | 10 Вентилатор |

***По избор:** Фигурите в това ръководство за потребителя са схематични и може да не отговарят точно на Вашия продукт.

Ако Вашият продукт не съдържа съответните части, информацията се отнася за други модели.

4 Монтаж

 Първо прочетете раздела „Инструкции за безопасност“!

4.1 Правилно място за монтаж

Свържете се с оторизирания сервиз за монтаж на продукта. За да подготвите продукта за монтаж, вижте информацията в ръководството за потребителя и се уверете, че

електрическата и водоснабдителната мрежа са необходими. Ако не, обадете се на електротехник и водопроводчик, за да организират комуналните услуги, както е необходимо.

**ВНИМАНИЕ:**

Производителят не поема отговорност за щети, причинени от работа, извършена от неоторизирани лица.

**ВНИМАНИЕ:**

Захранващият кабел на продукта трябва да бъде изключен по време на монтажа. Неспазването на това изискване може да доведе до смърт или сериозни наранявания!

**ВНИМАНИЕ:**

Ако отворът на вратата е твърде тесен, за да може продуктът да премине, свалете вратата и завъртете продукта настрани; ако това не помогне, свържете се с оторизирания сервис.

- Поставете продукта върху равна повърхност, за да избегнете вибрации.
- Поставете продукта най-малко на 30 см от нагревател, печка или други източници на топлина и най-малко на 5 см от електрически печки.
- Не излагайте продукта на пряка слънчева светлина и не го дръжте във влажна среда.
- Вашият продукт изисква адекватна циркулация на въздуха, за да функционира ефективно. Ако продуктът ще бъде поставен в ниша, не забравяйте да оставите поне 5 см разстояние между продукта, тавана и стените.
- Проверете дали компонентът за защита на хлабина на задната стена присъства на мястото му (ако е предоставен с продукта).
- Ако компонентът не е налице или е изгубен или паднал, поставете продукта така, че да остане поне 5 см разстояние между задната повърхност на продукта и стените на помещението. Свободното пространство отзад е важно за ефективната работа на продукта.

4.2 Електрическа връзка

не използвайте удължители или разклонители в електрическата мрежа.



Повреден захранващ кабел трябва да се подменя в оторизирания сервис.

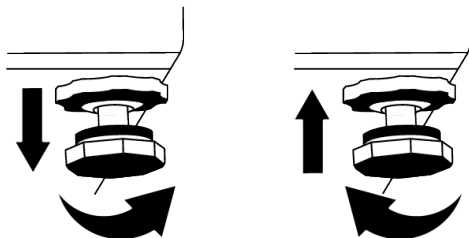


Когато поставите два охладителя в съседна позиция, оставете разстояние от поне 4 см между двата уреда.

- Фирмата ни не носи отговорност за каквито и да било щети, дължащи се на употреба без заземяване и свързване към електрическата мрежа в съответствие с националните разпоредби.
- След монтажа щепселът на захранващия кабел трябва да е лесно достъпен.
- Не използвайте многогрупов щепсел със или без удължителен кабел между стенния контакт и хладилника.

4.3 Регулиране на краката

Ако продуктът не е в балансирана позиция, регулирайте предните регулируеми крака, като ги завъртите надясно или наляво.

**4.4 Предупреждение за гореща повърхност**

Страничните стени на вашия продукт са оборудвани с охладителни тръби за подобряване на охладителната система. Течността с високо налягане може да тече през тези повърхности и да

причини горещи повърхности на страничните стени. Това е нормално и

не изисква сервизно обслужване. Бъдете внимателни, когато сте в допир с тези части.

5 Подготовка

BG



Първо прочетете раздела „Инструкции за безопасност“!

5.1 Какво да направите за спестяване на енергия



Свързването на продукта към електронните системи за пестене на електроенергия е вредно, тъй като това може да повреди продукта.

- Този хладилен уред не е предназначен да се използва като уред за вграждане.
- Не дръжте вратата на хладилника отворена дълго време.
- Не поставяйте гореща храна или напитки в хладилника.
- не препълвайте хладилника, блокирането на вътрешния въздушен поток ще намали капацитета на охлаждане.
- Тъй като горещият и влажен въздух няма да проникне директно във вашия продукт, когато вратите не са отворени, вашият продукт ще се оптимизира при условия, достатъчни да защитят вашата храна. При тези обстоятелства функции и компоненти като компресор, вентилатор, нагревател, размразяване, осветление, дисплей и т.н. ще работят според нуждите, като консумират минимална енергия.
- В случай, че са налице няколко опции, стъклените рафтове трябва да бъдат поставени така, че изходите за въздух на задната стена да не са блокирани и за предпочитане по начин, по който изходите за въздух остават под стъкления рафт. Тази комбинация може да помогне за подобряване на разпределението на въздуха и енергийната ефективност.

- Използването на долното чекмедже при съхранение е силно препоръчително.
- В зависимост от характеристиките на продукта; размразяването на замразени храни в хладилното отделение ще осигури пестене на енергия и ще запази качеството на храната.
- За да заредите максимално количество храна във фризерното отделение на Вашия хладилник, горните чекмеджета трябва да се извадят и храната да се постави върху телените/стъклените рафтове.
- Храната трябва да се съхранява в чекмеджетата в хладилното отделение, за да се осигури икономия на енергия и защита на храните при по-добри условия.
- Опаковките с храни не трябва да са в пряк контакт с температурния сензор, разположен във фризерното отделение.

5.2 Първа употреба

Преди да използвате Вашия хладилник, уверете се, че са направени необходимите приготовления в съответствие с инструкциите в разделите „Инструкции за безопасност и опазване на околната среда“ и „Монтаж“.

- Оставете продукта да работи, без да поставяте храна в него за 6 часа, и не отваряйте вратата, освен ако не е абсолютно наложително.
- Промяната на температурата, причинена от отваряне и затваряне на вратата по време на използване на продукта, обикновено може да доведе до конденз върху рафтовете на вратата/корпуса и стъклените съдове, поставени в продукта.



Ще чуete звук, когато компресорът се включи. Нормално е продуктът да издава шум, дори когато компресорът не работи, тъй като течността и газът могат да бъдат компресирани в охладителната система.



Нормално е предните ръбове на хладилника да се топли. Те са проектирани да се затоплят, за да се избегне конденз.



При някои модели индикаторният панел се изключва автоматично 1 минута след затваряне на вратата. Той ще се активира отново, когато вратата се отвори или се натисне произволен бутон.

5.3 Климатичен клас и дефиниции

Моля, вижте климатичния клас на табелката с данни на Вашето устройство. Една от следните информации е приложима за вашето устройство според климатичния клас.

- **SN:** Дългосрочен умерен климат: Това охлаждащо устройство е предназначено за използване при температури на околната среда между 10 °C и 32 °C.
- **N:** Умерен климат: Това охлаждащо устройство е предназначено за използване при температури на околната среда между 16 °C и 32 °C.
- **ST:** Субтропичен климат: Това охлаждащо устройство е предназначено за използване при температури на околната среда между 16 °C и 38 °C.
- **T:** Тропичен климат: Това охлаждащо устройство е предназначено за използване при температури на околната среда между 16 °C и 43 °C.

6 Начин на ползване на продукта



Първо прочетете раздела „Инструкции за безопасност“!

- Не използвайте никакви механични инструменти или други инструменти освен препоръките на производителя, за да ускорите операцията по размразяване.
- Не използвайте части на вашия хладилник като вратата или чекмеджетата като опора или стъпало. Това може да доведе до препъване в продукта или повреда на компонентите му.
- Продуктът трябва да се използва само и единствено за съхранение на храна.

- Изключете водния вентил, ако ще отсъствате от дома (например на почивка) и няма да използвате Isematic или диспенсъра за вода за дълъг период от време. В противен случай може да възникне изтичане на вода.

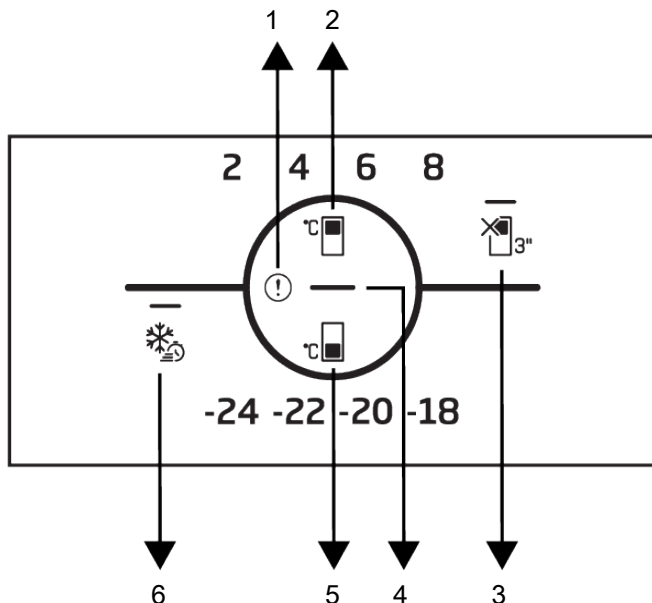
Изключване на продукта от контакта

- Ако няма да използвате продукта дълго време, изключете щепсела от контакта.
- Отстранете храната, за да предотвратите появата на миризми,
- Изчакайте ледът да се разтопи, почистете вътрешността и я оставете да изсъхне, оставете вратите отворени, за да избегнете повреда на вътрешната пластмаса на корпуса.

7 Използване на продукта

7.1 Контролен панел на продукта

BG



- | | |
|---|---|
| 1 Индикатор за състояние на грешка | 2 Бутон за настройка на температурата на охлаждащното отделение |
| 3 * Функция ИЗКЛЮЧЕНО (Ваканция) охлаждащно отделение | 4 Индикатор за Енергоспестяваща Функция (Дисплей Изключен): |
| 5 Бутон за настройка на температурата на фризерното отделение | 6 Бутон за бързо замразяване |



Първо прочетете раздела „Инструкции за безопасност“.

Слуховите и визуалните функции на индикаторния панел ще ви помогнат при използването на хладилника.

*По избор: Показаните функции не са задължителни, може да има разлики във формата и местоположението на функциите, намиращи се на индикаторния панел на вашия уред.

1. Индикатор за състояние на грешка



Този индикатор трябва да е активен, когато вашият хладилник не може да извърши адекватно охлаждане или в случай на грешка в сензора. Удивителен знак може да се покаже, когато зареждате топла храна във фризерното отделение или държите вратата отворена за дълъг период от време. Това не е грешка, това предупреждение трябва да се премахне, когато храната се охлади или когато се натисне който и да е бутон.

2. Бутон за настройка на температурата на охладителното отделение

отделение 

Позволява настройка на температурата за охлаждащото отделение.

Натискането на бутона ще позволи температурата на охладителното отделение да бъде зададена на 8 °C, 6 °C, 4 °C и 2 °C.

3. Функционален бутон за изключване на охладителното отделение

(ваканция). 


Натиснете бутона за 3 секунди, за да активирате функцията за ваканция. Режимът на ваканция е активиран и светодиодът на символа за ваканция свети. Охладителното отделение не изпълнява активна охлаждаща функция. Не трябва да държите храната си в охладителното отделение, ако активирате тази функция. Останалите отделения продължават да се охлаждат според зададените преди това температури. Натиснете отново бутона за 3 секунди, за да отмените тази функция.

4. Индикатор за пестене на енергия (изключен дисплей).

Когато вратите не се отворят и затворят за продължителен период от време, енергоспестяващият режим се активира автоматично и иконата за пестене на енергия светва. Когато е активирана функцията за пестене на енергия, всички

икони, различни от иконата за пестене на енергия, изчезват на екрана. Когато функцията за пестене на енергия е активна, натискането на който и да е клавиш или отварянето на вратата ще деактивира функцията за пестене на енергия и сигналите на дисплея ще се върнат към нормалното. Функцията за пестене на енергия е функция, активирана фабрично и не може да бъде отменена.

5. Бутон за настройка на температурата на фризерното отделение

отделение 

Настройване на температурата се извършва за фризерното отделение. Натискането на бутона ще позволи температурата на фризерното отделение да бъде зададена на стойности -18 °C, -20 °C, -22 °C и -24 °C.

6. Бутон за бързо замразяване

При натискане на бутона за бързо замразяване, светодиодът на бутона за бързо замразяване светва и функцията за бързо замразяване се активира. Температурата на фризерното отделение е настроена на -27 °C. Натиснете бутона отново, за да отмените функцията. Функцията за бързо замразяване се отменя автоматично след определен период. За да замразите голямо количество прясна храна, натиснете бутона за бързо замразяване, преди да поставите храната във фризерното отделение.

7.2 Съхранение на храна в охладителното отделение

Съхранение на храна в охладителното отделение

- Температурите на отделението се повишават значително, ако вратата на отделението се отваря и затваря често и се държи отворена за дълго време, това може да намали живота на храната и да доведе до разваляне на храната.
- За да не се променя миризмата и вкуса, храната трябва да се съхранява в затворени съдове.

- Не съхранявайте твърде много храна в хладилника си. За да постигнете по-добро и хомогенно охлаждане, поставете храната отделно по начин, по който студеният въздух може да преминава през тях.
- Осигурете въздушен поток, като оставите разстояние между храната и вътрешната стена. Ако облекнете храната на задната стена, храната може да замръзне.

- Оставете стотвените топли ястия на стойна температура, преди да ги поставите в хладилника. След това можете да поставите хладкото ястие в долните рафтове на хладилника. Не поставяйте хладките ястия близо до храни, които лесно могат да се развалят.
- Размразете Вашата замразена храна в отделението за прясна храна. По този начин можете да охладите отделението за прясна храна, като използвате замразена храна и да спестите енергия.
- Съхраняването на незрели тропически плодове (манго, сортове пъпеш, папая, банан, ананас) в хладилник може да ускори процеса на зреене. Това не се препоръчва, защото ще доведе до по-кратко време за съхранение.
- Трябва да съхранявате лук, чесън, джинджифил и други кореноплодни зеленчуци в тъмна и студена стая, а не в хладилник.
- Ако забележите, че дадена храна се е развалила в хладилника, изхвърлете я и почистете аксесоарите, които са влезли в контакт с нея.
- За да охладите бързо ястията като супи и яхнии, които се готвят в големи тенджери, можете да ги поставите в хладилника, като ги разделите в по-малки плитки съдове.
- Не поставяйте неупакована храна близо до яйца.
- Съхранявайте плодовете и зеленчуците отделно и съхранявайте всеки сорт заедно (например ябълки с ябълки, моркови с моркови).
- Извадете зелените зеленчуци от найлоновия плик и ги поставете в хладилника, след като ги увиете в хартиена кърпа или подсушена кърпа. Ако миете този тип храна, преди да ги поставите в хладилника, не забравяйте да ги изсушите.
- Можете както да създадете влажна среда, така и да осигурите въздушен поток, като държите плодовете и зеленчуците, които са склонни към сушене, в перфорирани или незапечатани найлонови торбички.
- С изключение на случаите, когато в околната среда има екстремни обстоятелства, ако вашият продукт (в таблицата с препоръчителните зададени стойности) е настроен на посочените зададени стойности, храната запазва своята свежест за по-дълго време както в отделението за пресни продукти, така и във фризерното отделение.

Съхранявайте храните на различни места според свойствата им:	
Храна	Местоположение
Яйца	Етажерка на вратата
Млечни продукти (масло, сирене)	Ако е налично, отделение с нула градуса (за храна за закуска).
Плодове, зеленчуци и зеленина	Отделение за плодове и зеленчуци, или Отделение EverFresh+ (ако е налично)
Прясно месо, птици, риба, колбаси и др. Готвени храни	Ако е налично, отделение с нула градуса (за храна за закуска).
Храни готови за сервиране, пакетирани продукти, консерви и туршии	Горни рафтове или етажерки на вратата
Напитки, бутилки, подправки и закуски	Етажерка на вратата

Съхранение на храна във фризерното отделение

- Можете да активирате функцията за бързо замразяване 4- 6 часа преди функцията за замразяване и да извършите по-бързо охлаждане.
- Оставете топлите ястия да достигнат стайна температура, преди да ги поставите във фризера.
- Храните за замразяване трябва да бъдат разделени на порции според размера, който ще се консумират, и замразени в отделни опаковки.
- Препоръчително е да опаковате храните преди да ги поставите във фризера.
- За да предотвратите изтичане на срока за съхранение, напишете датата, часа и наименованието на продукта върху опаковката според времето за съхранение на различните храни.
- Консумирайте бързо размразените храни. Размразените храни не могат да се замразяват отново, освен ако не са сготвени. Не е безопасно да се консумират повторно замразените пресни храни без готвене след размразяването им.
- Когато замразявате пресни храни, не ги поставяйте в контакт с вече замразени храни. В противен случай замразените храни ще бъдат размразени.

Съхранение на храните, които се продават замразени

- Винаги следвайте инструкциите на производителя по отношение на времето, през което трябва да

съхранявате Вашите храни. Не превишавайте времето, посочено в тези инструкции!

- За да защитите качеството на храната, поддържайте интервала от време между закупуването и съхранението възможно най-кратък.
- Купувайте замразени храни, които се съхраняват при $-18\text{ }^{\circ}\text{C}$ или по-ниски температури.
- Избягвайте да купувате храни, чиито опаковки са покрити с лед и др. Това означава, че продуктът може да бъде частично размразен и замразен отново. Температурата влияе върху качеството на храната.
- Не превишавайте времето за съхранение, препоръчано от производителя на храната. Извадете от фризера само толкова храна, колкото ви е необходима.
- С изключение на случаите, когато в околната среда има екстремни обстоятелства, ако вашият продукт (в таблицата с препоръчителните зададени стойности) е настроен на посочените зададени стойности, храната запазва своята свежест за по-дълго време както в отделението за пресни продукти, така и във фризерното отделение.
- Ако отделението за прясна храна е настроено на по-ниска температура, пресните плодове и зеленчуци може да са частично замразени.

Таблица с препоръчителни зададени стойности

Настройка на фризерното отделение	Настройка на хладилното отделение	Забележки
$-22\text{ }^{\circ}\text{C}$	$4\text{ }^{\circ}\text{C}$	Това е препоръчителната настройка по подразбиране. Тази настройка се препоръчва, ако температурата на околната среда е под $30\text{ }^{\circ}\text{C}$.
$-20\text{ }^{\circ}\text{C}$	$6\text{ }^{\circ}\text{C}$	Тази настройка се препоръчва при околна температура над $25\text{ }^{\circ}\text{C}$.
Бързо замразяване	$4\text{ }^{\circ}\text{C}$	Използвайте, когато искате да замразите храната си за кратко време. Когато процесът приключи, той ще се върне в предишната си позиция.

Подробности за фризера

Съгласно стандартите IEC 62552 фризерът трябва да има капацитет да замразява 4,5 kg хранителни продукти при -18°C или по-ниски температури при 25°C стайна температура за 24 часа за всеки 100 литра обем на фризерното отделение.

Хранителните продукти могат да се съхраняват само за продължителни периоди при или под температура от -18°C .

Можете да запазите храните свежи в продължение на месеци (във фризер при или под температури от -18°C). Хранителните продукти за замразяване не трябва да влизат в контакт с вече замразената храна вътре, за да се избегне частично размразяване.

Сварете зеленчуците и филтрирайте водата, за да удължите периода на съхранение. Поставете храната в херметически затворени опаковки след филтриране и поставете във фризера. Банани, домати, маруля, целина, варени яйца, картофи и други подобни хранителни продукти не трябва да се замразяват. В случай, че тези храни са замразени, само хранителните стойности и хранителните качества ще бъдат отрицателно засегнати. Не става въпрос за гниене, което би застрашило човешкото здраве.

Поставяне на храната

Рафтове във фризерното отделение: различни замразени храни като месо, риба, сладолед, зеленчуци и др.

Рафтове на хладилни отделения: Хранителни артикули в тенджери, чиния с капак и кутии с капак, яйца (в затворена кутия)

Рафтове на вратата на охладителното отделение: Малки и пакетирани храни или напитки

Отделение за плодове и зеленчуци: Зеленчуци и плодове

Отделение за прясна храна: Деликатеси (закуска, месни продукти, които се консумират за кратко време)

7.3 Технологии за отделенията за плодове и зеленчуци

Синя светлина

Плодовете и зеленчуците, съхранявани в чекмеджетата, които са осветени със синя светлина, продължават фотосинтезата си чрез ефекта на дължината на вълната на синята светлина и по този начин запазват съдържанието на витамини.

HarvestFresh

Плодовете и зеленчуците, съхранявани в отделенията за плодове и зеленчуци, осветени с технологията HarvestFresh запазват витамините си за по-дълго време благодарение на сините, зелените, червените светлини и тъмните цикли, които симулират дневен цикъл. Когато вратата на Вашия хладилник се отвори по време на тъмния период на технологията HarvestFresh Вашият хладилник ще усети това автоматично и ще освети отделението за плодове и зеленчуци съответно с една от сините, зелените или червените светлини за Ваше удобство. След като затворите вратата на хладилника, тъмният период ще продължи, представяйки нощното време в дневен цикъл.

7.4 Хладилна зона за млечни продукти

Чекмедже за хладилно съхранение

Чекмедже за хладилно съхранение може да достигне по-ниски температури в охладителното отделение. Използвайте това чекмедже за деликатесни продукти (салами, колбаси и др.) и млечни продукти, които изискват по-студени условия на съхранение или за бързо консумиране на месо, пиле или риба. Не е подходящо да съхранявате плодове и зеленчуци в това чекмедже.

7.5 Обръщане на страната на отваряне на вратата

Отварящата се страна на вратата на вашия хладилник може да се обърне според мястото, на което сте го

поставили. Когато имате нужда от това, определено трябва да се обадите в най-близкия оторизиран сервиз.

7.6 Door Open Alert

The door open alert system of your refrigerator may differ depending on the model.

Version 1;

If the door of the product remains open for a certain time (between 60 s and 120 s), an audio warning signal sounds; depending on the product model, a visual warning signal (light flash) can also be displayed. If you close the door of the device or press a button on the screen of the device, if any, the warning sound will stop.

Version 2;

If the door of the device remains open for a certain period of time (between 60 s and 120 s), the door open alert is sounded. The door open alert is sounded gradually. First, an audible warning starts to sound. After 4 minutes, if the door is still not closed, a visual warning (lighting flash) is activated. The door open alert will be delayed for a certain period of time (between 60 s and 120 s) when any key on the product screen, if any, is pressed. Then the process will start again. When the device door is closed, the door open alert will be cancelled.

7.7 Смяна на осветителната лампа

Обадете се на оторизирания сервиз, когато крушката/LED, използвани за осветление във Вашия хладилник, трябва да бъдат сменени.

Лампата(ите), използвани в този уред, не могат да се използват за домашно осветление. Предназначението на тази лампа е да помогне на потребителя да постави храната в хладилника / фризера безопасно и удобно.

7.8 Използване на Диспенсъра за Вода

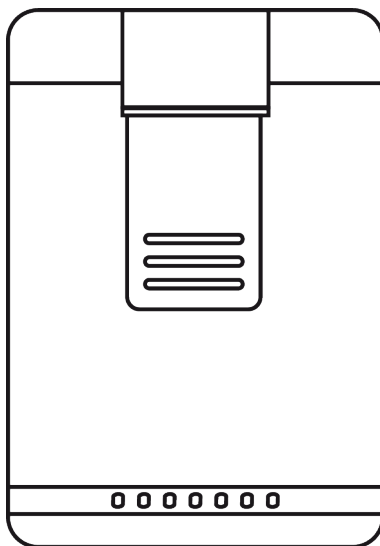


Първите няколко чаши вода, налети от диспенсъра, обикновено са топли.



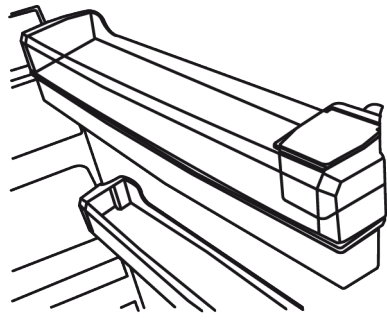
Ако не сте използвали диспенсъра за вода дълго време, изхвърлете първите няколко чаши вода, за да получите чиста вода.

1. Натиснете накрайника на диспенсъра за вода с чашата си. Ще бъде по-лесно да натиснете накрайника с ръка, ако използвате мека пластмасова чаша.
2. Освободете дръжката, след като напълните чашата си с толкова вода, колкото желаете.



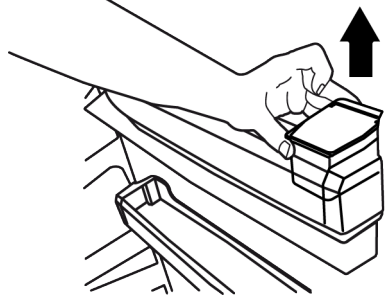
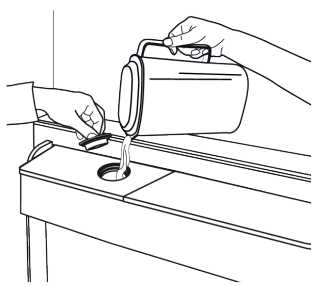
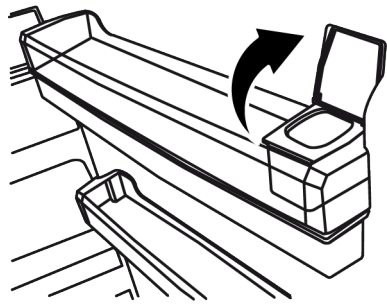


Количеството водна струя от фонтана зависи от натиска, който прилагате върху ръката. Отслабете леко натиска върху дръжката, за да предотвратите преливане, тъй като нивото на водата във Вашата чаша/контейнер се повишава. Водата ще капе, ако леко натиснете дръжката; това е нормално и не е неизправност.



Пълнене на водния резервоар на диспенсъра за вода

1. Отворете капака на резервоара за вода, както е показано на фигурата. Долейте чиста питейна вода. Затворете капака.

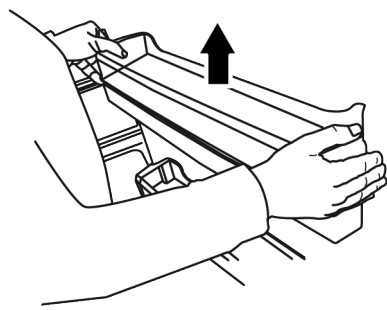


Капацитетът на резервоара за вода е 3 литра, не препълвайте.

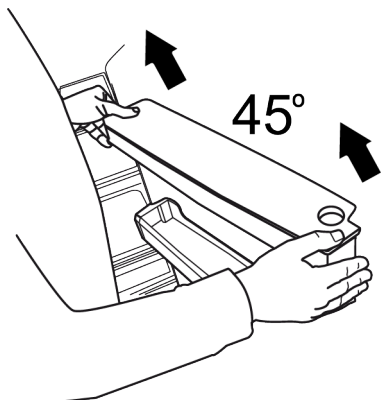
Почистване на резервоара за вода

1. Отстранете резервоара за пълнене с вода вътре в рафта на вратата.

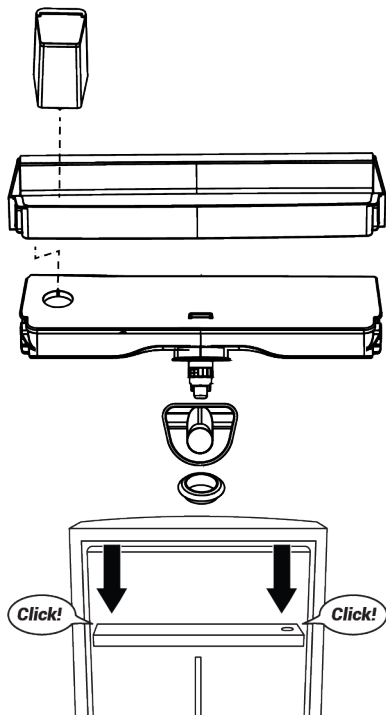
1. Откачете, като хванете двете страни на рафта на вратата.



2. Хванете двете страни на резервоара за вода и го извадете под ъгъл от 45°.



3. Свалете и почистете капака на резервоара за вода.



Не пълнете резервоара за вода с плодов сок, газирани напитки, алкохолни напитки или каквито и да е други течности, несъвместими за използване в диспенсъра за вода. Използването на такива течности ще причини неизправност и непоправима повреда в диспенсъра за вода. Използването на фонтана по този начин не е в обхвата на гаранцията. Някои химикали и добавки в такива напитки/течности могат да причинят материални щети на резервоара за вода.

BG

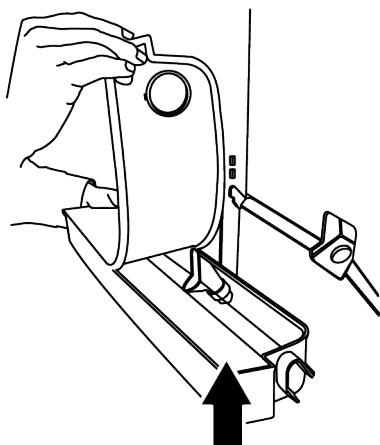


Използвайте само чиста питейна вода.



ЗАБЕЛЕЖКА

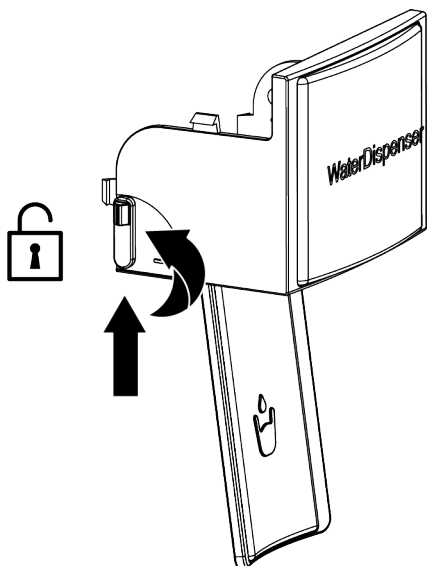
Не мийте компонентите на резервоара за вода и дозатора за вода в съдомиялна машина.



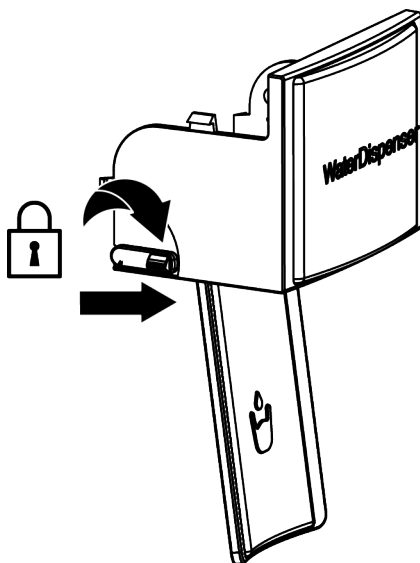


Преди да използвате диспенсера за вода в продукта, проверете дали родителският контрол е активен или не. Вижте информацията в схемите относно позициите ВКЛ./ИЗКЛ. на родителския контрол, за да проверите. Уверете се, че родителския контрол се затваря точно както е показано на схемата, когато е изключена.

Функцията родителски контрол е включена по този начин.



Функцията родителски контрол е изключена по този начин.



BG

8 Почистване и грижа



ВНИМАНИЕ:

Първо прочетете раздела „Инструкции за безопасност“.



ВНИМАНИЕ:

Изключете хладилника от контакта, преди да го почистите.

- Не използвайте остри или абразивни инструменти за почистване на продукта. Не използвайте материали като домакински почистващи препарати, сапун, почистващи препарати, газ, бензин, разреждател, алкохол, восък и др.
- Прахът трябва да се отстранява от вентилационната решетка на гърба на продукта поне веднъж годишно (без отваряне на капака). Почистете продукта със суха кърпа.
- Погрижете се върху капака на лампата и другите електрически части да не попадне вода.
- Почистете вратата с помощта на влажна кърпа. Премахнете цялото съдържание, за да премахнете

стелажите от вратата и тялото. Извадете стелажите на вратите, като ги повдигнете нагоре. Почистете и подсушете рафтовете, след това ги монтирайте отново, плъзгайки ги отгоре.

- Не използвайте хлорирана вода или почистващи продукти върху външната повърхност и хромираните части на продукта. Хлорът ще предизвика ръжда по тези метални повърхности.
- Не използвайте остри и абразивни инструменти, сапун, материали за почистване на къщи, препарати, газ, бензин, лак и подобни вещества, за да предотвратите деформация на пластмасовата част и отстраняване на отпечатъци върху нея. Използвайте топла вода и мека кърпа за почистване и след това подсушете.
- При продуктите без функция Без замръзване на задната стена на фризерното отделение могат да се появят водни капчици и залежаване с дебелина на пръста. Не почиствайте и никога не нанасяйте масла или подобни материали.
- Използвайте леко навлажнена кърпа от микрофибър, за да почистите външната повърхност на продукта. Гъбите и други видове почистващи тъкани могат да причинят драскотини.
- За да почистите всички подвижни компоненти по време на почистване на вътрешната повърхност на продукта, измийте тези компоненти с мек разтвор, състоящ се от сапун, вода и карбонат. Измийте и подсушете старателно. Предотвратете контакта на вода с осветителни компоненти и контролния панел.

9 Отстраняване на неизправности

Проверете този списък, преди да се свържете със сервиза. Това ще ви спести време и пари. Този списък включва чести оплаквания, които не са свързани с дефектна изработка или



ВНИМАНИЕ:

Не използвайте оцет, спирт или други почистващи препарати на основата на алкохол върху която и да е вътрешна повърхност.

BG

Външни повърхности от неръждаема стомана

Използвайте неабразивен почистващ препарат за неръждаема стомана и го нанесете с мека кърпа без власинки. За да полирате, внимателно избършете повърхността с кърпа от микрофибър, навлажнена с вода, и използвайте суха полираща глина. Винаги следвайте лентите от неръждаема стомана.

Предотвратяване на миризми

Продуктът се произвежда без никакви миризливи материали. Въпреки това съхранението на хранителните продукти в неподходящи секции и неправилното почистване на вътрешните повърхности може да доведе до образуване на лоши миризми.

- За да избегнете това, почиствайте вътрешността с газирана вода на всеки 15 дни.
- Съхранявайте храните в запечатани държачи, тъй като микроорганизмите, възникващи от храни, държани в незапечатани контейнери, ще причинят лоша миризма.
- Да не се съхраняват храни с изтекъл срок на годност и развалени такива в хладилника.

Защита на пластмасови повърхности

Разлятото олио върху пластмасовите повърхности може да повреди повърхностите и трябва веднага да се почисти с топла вода.

материали. Някои функции, споменати тук, може да не се отнасят за вашия продукт.

Хладилникът не работи.

- Захранващият щепсел не е поставен напълно. >>> Включете го, за да се постави напълно в контакта.

- Предпазителят, свързан към контакта, захранващ продукта, или главният предпазител е изгорял. >>> Проверете предпазителя.

Конденз по страничната стена на охладителното отделение (MULTI ZONE, COOL CONTROL и FLEXI ZONE).

- Вратата се отваря твърде често. >>> Внимавайте да не отваряте вратичката на продукта твърде често.
- Околната среда е твърде влажна. >>> Не инсталирайте продукта във влажна среда.
- Храните, съдържащи течности, се съхраняват в незапечатани държачи. >>> Съхранявайте храните, съдържащи течности, в запечатани държачи.
- Вратата на продукта е оставена отворена. >>> Не дръжте вратичката на продукта отворена за дълго време.
- Термостатът е настроен на много ниска температура. >>> Настройте термостата на подходяща температура.

Компресорът не работи.

- В случай на внезапно прекъсване на захранването или изваждане на шепсела и повторно включване, налягането на газа в охладителната система на продукта не е балансирано, което задейства термичната защита на компресора. Продуктът ще се рестартира след приблизително 6 минути. Ако продуктът не се рестартира след този период, свържете се със сервиза.
- Размразяването е активно. >>> Това е нормално за продукт с напълно автоматично размразяване. Размразяването се извършва периодично.
- Продуктът не е включен в контакта. >>> Уверете се, че захранващият кабел е включен.
- Настройката на температурата е неправилна. >>> Изберете подходящата настройка на температурата.

- Захранването е изчерпано. >>> Продуктът ще продължи да работи нормално, след като захранването бъде възстановено.

Шумът от работата на хладилника се увеличава, докато се използва.

- Работната производителност на продукта може да варира в зависимост от температурните промени на околната среда. Това е нормално и не е неизправност.

Хладилникът работи твърде често или твърде дълго.

- Новият продукт може да е по-голям от предишния. По-големите продукти ще работят по-дълго.
- Стайната температура може да е висока. >>> Продуктът обикновено работи дълго време при по-висока стайна температура.
- Продуктът може наскоро да е бил включен или вътре е поставен нов хранителен продукт. >>> Продуктът ще отнеме повече време, за да достигне зададената температура, когато е включен наскоро или вътре е поставен нов хранителен продукт. Това е нормално.
- Големи количества гореща храна може наскоро да са били поставени в продукта. >>> Не поставяйте гореща храна в продукта.
- Вратите са отворени често или са държани отворени за дълги периоди от време. >>> Топлият въздух, който се движи вътре, ще накара продукта да работи по-дълго. Не отваряйте вратите твърде често.
- Вратата на фризера или охладителя може да е открената. >>> Проверете дали вратите са напълно затворени.
- Продуктът може да е настроен на твърде ниска температура. >>> Задайте температурата на по-висока степен и изчакайте продуктът да достигне зададената температура.
- Устройството за миене на вратата на охладителя или фризера може да е замърсено, износено, счупено или неправилно поставено. >>> Почистете или сменете уплътнението.

Повредена/скъсана шайба за миене на врата ще накара продукта да работи за по-дълги периоди, за да запази текущата температура.

Температурата на фризера е много ниска, но температурата на охладителя е подходяща.

- Температурата на фризерното отделение е зададена на много ниска степен. >>> Задайте температурата на фризерното отделение на по-висока степен и проверете отново.

Температурата на охладителя е много ниска, но температурата на фризера е подходяща.

- Температурата на охладителното отделение е настроена на много ниска степен. >>> Задайте температурата на охладителното отделение на по-висока степен и проверете отново.

Хранителните продукти, съхранявани в чекмеджетата на охладителното отделение, са замразени.

- Температурата на охладителното отделение е настроена на много ниска степен. >>> Задайте температурата на охладителното отделение на по-висока степен и проверете отново.

Температурата в охладителя или фризера е твърде висока.

- Температурата на охладителното отделение е настроена на много висока степен. >>> Настройката на температурата на охладителното отделение оказва влияние върху температурата във фризерното отделение. Изчакайте, докато температурата на съответните части достигне достатъчното ниво, като промените температурата на охладителните или фризерните отделения.
- Вратите са отваряни често или са държани отворени за дълги периоди от време. >>> Не отваряйте вратите твърде често.
- Вратата може да е открехната. >>> Затворете напълно вратата.

- Продуктът може наскоро да е бил включен или вътре е поставен нов хранителен продукт. >>> Това е нормално. Продуктът ще отнеме повече време, за да достигне зададената температура, когато е включен наскоро или вътре е поставен нов хранителен продукт.
- Големи количества гореща храна може наскоро да са били поставени в продукта. >>> Не поставяйте гореща храна в продукта.

Треперене или шум.

- Повърхността не е плоска или издръжлива >>> Ако продуктът се тресе, когато се движи бавно, регулирайте стойките, за да балансирате продукта. Също така се уверете, че подът е достатъчно издръжлив, за да понесе продукта.
- Всички предмети, поставени върху продукта, могат да причинят шум. >>> Отстранете всички елементи, поставени върху продукта.
- Продуктът издава шум от течаща течност, пръскане и др.
- Принципът на работа на продукта включва потоци течност и газ. >>> Това е нормално и не е неизправност.

От продукта се чува звук на духащ вятър.

- Продуктът използва вентилатор за процеса на охлаждане. Това е нормално и не е неизправност.

Има конденз по вътрешните стени на продукта.

- Горещото или влажно време ще увеличи заледяването и кондензацията. Това е нормално и не е неизправност.
- Вратите са отваряни често или са държани отворени за дълги периоди от време. >>> Не отваряйте вратите твърде често; ако е отворена, затворете вратата.
- Вратата може да е открехната. >>> Затворете напълно вратата.

Има конденз по външната страна на продукта или между вратите.

- Атмосферното време може да е влажно, това е съвсем нормално при влажно време. >>> Кондензът ще се разсее, когато влажността се намали.

Вътрешността мирише лошо.

- Продуктът не се почиства редовно. >>> Почиствайте вътрешността редовно с гъба, топла вода и газирана вода.
- Някои държачи и опаковъчни материали могат да причинят миризма. >>> Използвайте държачи и опаковъчни материали без мирис.
- Храните бяха поставени в незапечатани държачи. >>> Съхранявайте храните в запечатани държачи. Микроорганизмите могат да се разпространят от незапечатани хранителни продукти и да причинят лоша миризма.
- Отстранете всички храни с изтекъл срок на годност или развалени храни от продукта.

Вратата не се затваря.

- Пакетите с храна може да блокират вратата. >>> Преместете всички предмети, блокиращи вратите.
- Продуктът не стои в напълно изправено положение на земята. >>> Регулирайте стойките, за да балансирате продукта.

- Повърхността не е плоска или издръжлива >>> Уверете се, че повърхността е равна и достатъчно издръжлива, за да понесе продукта.

Отделението за плодове и зеленчуци е задръстено.

- Хранителните продукти може да са в контакт с горната част на чекмеджето. >>> Реорганизирайте хранителните продукти в чекмеджето.

Температура на повърхността на продукта.

- Може да се наблюдава висока температура между две врати, на страничните панели и на задната зона на решетката, докато вашият продукт работи. Това е нормално и не изисква сервисно обслужване.

Вентилаторът продължава да работи, когато вратата се отвори.

- Вентилаторът може да продължи да работи, когато вратата на фризера е отворена.



ВНИМАНИЕ: Ако проблемът продължава, след като следвате инструкциите в този раздел, свържете се с вашия доставчик или оторизиран сервис. Не се опитвайте да ремонтирате продукта. Това е нормално.

ОТКАЗ ОТ ОТГОВОРНОСТ / ПРЕДУПРЕЖДЕНИЕ

Някои (прости) неизправности могат да бъдат адекватно обработени от крайния потребител, без да възникнат проблеми с безопасността или опасна употреба, при условие че се извършват в рамките на ограниченията и в съответствие със следните инструкции (вижте раздела „Саморемонт“).

Следователно, освен ако не е разрешено друго в раздела „Саморемонт“ по-долу, ремонтите трябва да бъдат адресирани до регистрирани професионални сервиси, за да се избегнат проблеми с безопасността. Регистриран

професионален сервис е професионален сервис, на когото производителът е получил достъп до инструкциите и списъка с резервни части за този продукт съгласно методите, описани в законодателните актове съгласно Директива 2009/125/ЕО.

Въпреки това, само сервисният агент (т.е. оторизирани професионални сервиси), с който можете да се свържете чрез телефонния номер, посочен в ръководството за потребителя/гаранционната карта, или чрез вашия оторизиран дилър може да предостави услуга съгласно

гаранционните условия. Ето защо, имайте предвид, че ремонтите се извършват от професионални сервиси (които не са упълномощени от) Веко ще анулира гаранцията.

Саморемонт

Самостоятелният ремонт може да бъде извършен от крайния потребител по отношение на следните резервни части: дръжки за врати, панци за врати, тави, кошници и уплътнения за врати (наличен е и актуализиран списък support.beko.com от 1 март 2021 г.).

Освен това, за да се гарантира безопасността на продукта и да се предотврати риск от сериозно нараняване, споменатият самостоятелен ремонт трябва да се извърши, като се следват инструкциите в ръководството за потребителя за самостоятелен ремонт или които са налични в support.beko.com. За ваша безопасност, изключете продукта от контакта, преди да опитате каквото и да е саморемонтиране.

Опитите за ремонт и ремонт от страна на крайните потребители на части, които не са включени в този списък и/или не следват инструкциите в ръководствата на потребителя за самостоятелен ремонт или които са налични в support.beko.com, могат да доведат до проблеми с безопасността, които не се дължат на Веко, и ще анулира гаранцията на продукта.

Ето защо е силно препоръчително крайните потребители да се въздържат от опити за извършване на ремонт, който не попада в посочения списък с резервни части, като в такива случаи се

свързват с оторизирани професионални сервиси или регистрирани професионални сервиси. Напротив, подобни опити от страна на крайните потребители могат да доведат до проблеми с безопасността и да повредят продукта и впоследствие да причинят пожар, наводнение, токов удар и сериозни наранявания.

Като пример, но не само, следните ремонти трябва да бъдат адресирани до оторизирани професионални сервиси или регистрирани професионални сервиси: компресор, охладителна верига, основна платка, инверторна платка, табло на дисплея и т.н. Производителят/продавачът не може да носи отговорност във всеки случай, когато крайните потребители не спазват горното.

Наличността на резервни части на хладилника, който сте закупили, е 10 години. През този период ще бъдат налични оригинални резервни части за правилното функциониране на хладилника

Минималната продължителност на гаранцията на закупения от вас хладилник е 24 месеца.

Този продукт е оборудван с източник на осветление от енергиен клас "G".

Източникът на осветление в този продукт трябва да се сменя само от професионален сервиз

Вижте също

- 2 CLAUSE DE NON-RESPONSABILITÉ / AVERTISSEMENT [] 61]

