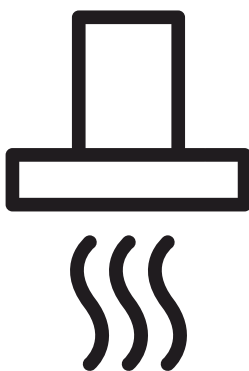




Cooker Hood

User manual



HCP61310I
HCP61310IH
HCP61310W
HCP61310B
HCP91310I

EN - DE - PT - RO - BG - CS - SR - SK - RU - KZ - AR



01M-8861583200-1823-15
01M-8861593200-1823-15
01M-8861603200-1823-15
01M-8863853200-1823-15
01M-8861613200-1823-15

CONTENTS

ENGLISH	3-13
DEUTSCH	14-26
PORTUGUÊS	27-38
ROMÂNĂ	39-53
БЪЛГАРСКИ	54-67
ČESKY	68-78
СРПСКИ	79-92
SLOVENSKÝ	93-103
РУССКИЙ	104-120
KAZAKH	121-136

Please read this user manual first!

Dear Valued Customer,

Thank you for preferring this Beko appliance. We hope that you get the best results from your appliance which has been manufactured with high quality and state-of-the-art technology. For this reason, please read this entire user manual and all other accompanying documents carefully before using the appliance and keep it as a reference for future use. If you handover the appliance to someone else, give the user manual as well. Follow the instructions by paying attention to all the information and warnings in the user manual.

Remember that this user manual may also apply to other models. Differences between models are explicitly described in the manual.

Meanings of the Symbols

Following symbols are used in various sections of this user manual:



Important information and useful hints about usage.



WARNING: Warnings against dangerous situations concerning the security of life and property.



Warning for danger of fire.



Warning for electric shock.



Protection class for electric shock.



1 Important safety and environmental instructions

1.1 General Safety

Important Safety Instructions Read Carefully And Keep For Future Reference This section contains safety instructions that will help protect from risk of fire, electric shock, exposure to leak microwave energy, personal injury or property damage. Failure to follow these instructions shall void any warranty.

- Beko products comply with the applicable safety standards; therefore, in case of any damage on the appliance or power cable, it should be repaired or replaced by the dealer, service center or a specialist and authorized service alike to avoid any danger. Faulty or unqualified repair work may be dangerous and cause risk to the user.
- This appliance is intended to be used in household and similar applications such as:
 - Staff kitchen areas in shops, offices and other working environments;
 - Farm houses
 - By clients in hotels, and other residential type environments;
 - Bed and Breakfast type environments.
- Operate the appliance for its intended purpose only as described in this manual.
- The manufacturer cannot be held liable for damages resulting from improper installation or misuse of the product.
- This appliance can be used by children aged from 8 years and above and persons with reduced physical, sensory or mental capabilities or lack of experience and knowledge if they have been given supervision or instruction concerning use of the appliance in a safe way and understand the hazards involved.
- Children shall not be allowed play with the appliance. Cleaning and user maintenance shall not be made by children without supervision.
- The minimum distance between the supporting surface for the

1 Important safety and environmental instructions

cooking vessels on the hob and the lowest part of your product must be at least 65 cm.

- If the instructions for installation for the gas hob specify a greater distance, this has to be taken into account.
- Make sure that your mains power supply complies with the information supplied on the rating plate of the appliance.
- Never use the appliance if the power cable or the appliance itself is damaged.
- Prevent damage to the power cable by not squeezing, bending, or rubbing it on sharp edges. Keep the power cable away from hot surfaces and naked flame.
- Use the appliance with a grounded outlet only.

WARNING: Do not connect the appliance to the mains until the installation is fully complete.

- Place the appliance in a way so that the plug is always accessible.
- Do not touch the lamps if they have operated for a long time.

They can burn your hands since they will be hot.

- Follow the regulations set out by competent authorities on discharge of the exhaust air (this warning is not applicable for use without flue).
- Operate your appliance after putting a pot, pan etc. on the hob. Otherwise, high heat may cause deformation in some parts of your product.
- Turn off the hob before taking the pot, pan etc. from it.
- Do not leave hot on the hob. Pans with hot may cause self combustion.
- Pay attention to your curtains and covers since may catch fire while cooking food such as fries.
- Grease filter must be cleaned at least monthly. Carbon filter must be replaced at least every 3 months.
- Product shall be cleaned accordance with user manual. If cleaning was not carried out in accordance with user manual, there may be fire risk.

1 Important safety and environmental instructions

- Do not use non-fire-resistant filtering materials instead of the current filter.
 - Only use the original parts or parts recommended by the manufacturer.
 - Do not operate the product without the filter and do not remove the filters while the product is running.
 - In the event of be started any flame, de-energize your product and cooking appliances.
 - In the event of be started any flame, cover the flame and never use water to extinguish.
 - Unplug the appliance before each cleaning and when the appliance is not in use.
 - The negative pressure in the environment should not exceed 4 Pa (4x10 bar) while the hood for electric hob and appliances running on another type of energy but electricity operate simultaneously.
 - In the environment where the appliance is being used, the exhaust of devices running on fuel or gas, such as room heater must be absolutely isolated or device must be hermetical type.
 - When connecting the flue, use pipes with a diameter of 120 or 150 mm. Pipe connection must be as short as possible and have as few elbows as possible.
 - Danger of choking! Keep all the packaging materials away from children.
- CAUTION:** Accessible parts may become hot when used with cooking appliances.
- The product outlet must not be connected to air channels that include other smoke.
 - The ventilation in the room may be insufficient when the hood for electric hob is used simultaneously with the devices operating on gas or other fuels (this may not apply to appliances that only discharge the air back into the room).
 - Objects placed on the product may fall. Do not place any objects on the product.
 - Do not flambe under the your product.

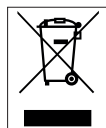
1 Important safety and environmental instructions

WARNING: Before installing the Hood, remove the protective films.

- Never leave high naked flames under the hood when it is in operation
- Deep fat fryers must be continuously monitored during use: overheated can burst into flames.

1.2 Compliance with the WEEE Directive and Disposing of the Waste Product:

This product complies with EU WEEE Directive (2012/19/EU). This product bears a classification symbol for waste electrical and electronic equipment (WEEE).



This symbol indicates that this product shall not be disposed with other household wastes at the end of its service life. Used device must be returned to official collection point for recycling of

electrical and electronic devices. To find these collection systems please contact to your local authorities or retailer where the product was purchased. Each household performs important role in recovering and recycling of old appliance. Appropriate disposal of used appliance helps prevent potential negative consequences for the environment and human health.

1.3 Compliance with RoHS Directive

The product you have purchased complies with EU RoHS Directive (2011/65/EU). It does not contain harmful and prohibited materials specified in the Directive.

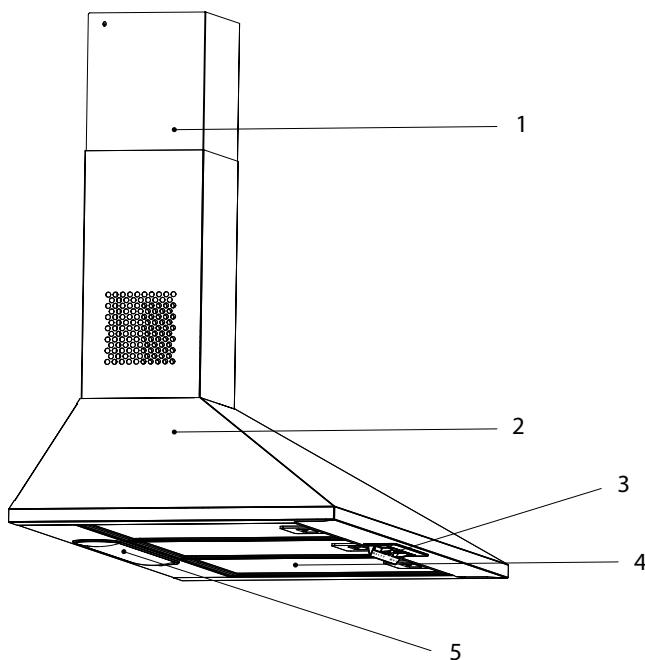
1.4 Package Information



Packaging materials of the product are manufactured from recyclable materials in accordance with our National Environment Regulations. Do not dispose of the packaging materials together with the domestic or other wastes. Take them to the packaging material collection points designated by the local authorities.

2 General appearance

2.1 Overview




1. Chimney
2. Body
3. Control panel
4. Grease filter
5. Lighting

2.2 Technical data

Model	HCP61310I HCP61310IH HCP61310W HCP61310B	HCP91310I
Supply voltage	220-240V ~ 50 Hz	
Lamp power	2x3 W	
Motor power	90 W	
Air Flow – 3. Level	395 m ³ /h	
Insulation Class of Motor	Class F	
Insulation Class	Class II	

3 Using the appliance

3.1 Controls panel

	
* : Light On / Off	To turn off the lamp, set the lamp switch to "0" position. To turn on the lamp, set the lamp switch to "1" position.
⚙ : Motor	To turn off the motor, set the motor switch (⚙) to '0' position. You can run the motor minimum at speed level 1 and maximum at speed level 3 depending on the cooking vapour intensity.

- The extractor hood has been designed exclusively for domestic use to eliminate kitchen smells.
- Never use the hood for purposes other than for which it has been designed.
- Never leave high naked flames under the hood when it is in operation.
- Adjust the flame intensity to direct it onto the bottom of the pan only, making sure that it does not engulf the sides.
- Deep fat fryers must be continuously monitored during use: overheated oil can burst into flames.

3.2 Efficient use in terms of energy saving

- When using your appliance, adjust the speed settings according to vapour and odour intensity, in order to save energy.
- Use low speeds (1-2) under normal conditions, and high speed (3) and boost mode for intense odour and vapour.
- The hood is equipped with lamps in order to illuminate the cooking area.
- Using them for environmental lighting shall cause unnecessary energy expenditure and insufficient lighting.
- For your device to consume less energy, run it at a low speed level.
- Your device will reduce energy consumption as it will run more efficiently when you provide sufficient air intake to it.
- Set your device to the intense suction power level before the formation of steam, in cases where you know that the dense steam will occur. So, you reduce energy consumption by using your device for a shorter time as it will have a sufficient air intake.
- Keep the lids of the cookware closed to reduce the steam evolving.

3.3 Operating the Hood

- Hood is equipped with a motor having various speed settings.
- For a better performance, we advise you to use low speeds in normal conditions, and high speeds when smell and vapors are intensified.
- You can start the hood by pressing the desired speed level key.(1, 2, 3)
- You can illuminate the cooking area by pressing the light key.

3 Using the appliance

3.4 Lamp replacement

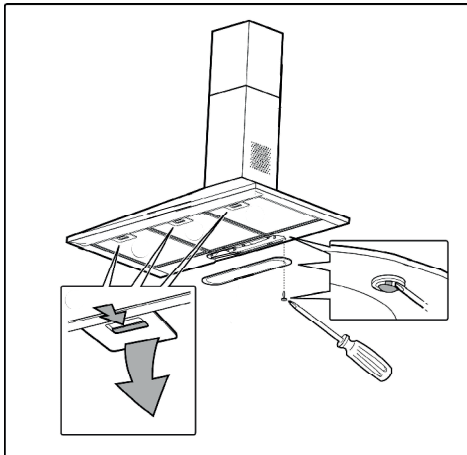



- Before replacing the light bulbs, disconnect the power supply of the hood.
- Do not touch the light bulbs when they are hot.
- Be careful not to touch the replaced light bulb directly with hands.



You may procure lamps from Authorised Service Agents.

Make the electrical connections of the appliance. Your appliance is equipped with a 3 W spot LED lamp. For replacing the lamps, push downwards on the holder from its behind, turn it counter-clockwise, and take it out downwards. Apply the above operation in reverse to install new lamps .

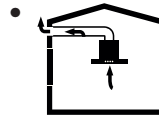


Lamp	
Bulb power	3 W
Holder/Socket	E14
Bulb voltage	230 V

Size	D35x98mm
ILCOS Code	DRGSB/C/UB-3/27/1B-230-E14-55
Luminous flux	320 lm
Correlated colour temperature	2700 K

This product contains a light source of energy efficiency class “E”.

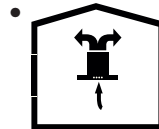
3.5 Operation with flue connection



Vapour is extracted through the flue duct, which is fastened to the connection head on the hood.

- The diameter of the flue duct must be the same as the connection ring. In horizontal settings, the pipe has to have a slight upward slope (around 10°) so that the air can exit the room easily.

3.6 Operation without flue connection



Air is filtered through the carbon filter and recirculated in the room. Carbon filter is used when it is impossible to use a flue in the house.

- In flueless use, remove the flaps inside the flue adapter.
- Remove the oil filter. To install the carbon filter, fit the filter to the tabs by centring it on the plastic piece on both sides of the fan body. Tighten it by turning right or left.
- Replace aluminium oil filter.

4 Cleaning and maintenance

The device should be cleaned and maintained regularly. Failure to keep the device clean will adversely affect the service life of the device. For cleaning and maintenance, follow the instructions stated in the manual.



Before cleaning and maintenance, unplug the product or turn off the switch.

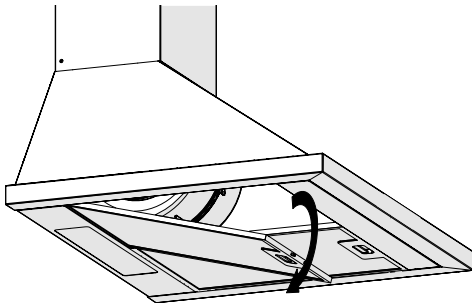


Non-compliance with the provisions associated with the cleaning of the device and replacement of the filters may result in a risk of fire. Therefore, it is recommended to follow the guidelines stated here. The manufacturer is not responsible for the engine damages or fires originating from the improper use.

Clean using only a cloth dampened with a neutral liquid detergent. Do not use abrasive products or alcohol.

4.1 Cleaning of the grease filter

Grease filter retains the oil particles in the air. Grease filters may change colour after repeated cleaning. This is normal and does not require replacement of filters.



- Push the grease filter lock forward.
- Then pull it slightly down and pull it out. Otherwise, you can bend the filter. Wash and rinse

grease filters with liquid detergent and replace grease filters to their sockets by carrying out the steps specified above in reverse order. This filter retains the oil particles in the air.



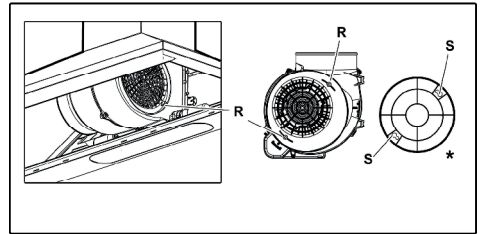
You may wash your grease filters in the dishwasher.



CAUTION: In case of normal use, clean your filter once in a month.

4.2 Replacement of carbon filters

Odour removing filters contain charcoal (Active carbon). Grease filters must be installed in the product, regardless of whether or not carbon filters are used.



- Remove the aluminium grease filters .
- Remove the filter by turning the pins from S level to R level clockwise.
- Install the new filter by implementing the above procedure in reverse order.
- Install the aluminium grease filters.



CAUTION

- Carbon filter shall never be washed.
- Replace carbon filters once every 3 months.
- You can obtain the carbon filter from the authorized services.

5 Setting up the device



WARNING: Before starting the installation, read the safety information on User Manual.



WARNING: Failure to install with screws and stabilizers in accordance with these instructions may result in electric shock.

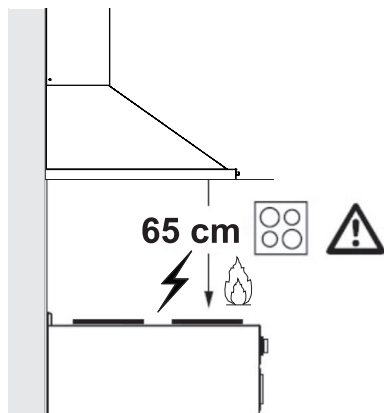


Please refer to page 137 for the installation guide.

For the installation of the hood, please contact the nearest Authorized Service.

It is the customer's responsibility to prepare the location and electrical installation of the hood.

5.1 Position of the appliance



- Distance between the cooker and the cooker hood must be considered prior to assembly. This distance should be 65 cm.
- Distance must be measured from the surface of grate for gas cookers, From surface of glass for electric cookers.

5.2 Storage

- If you do not intend to use the appliance for a long time, please store it carefully.
- Please make sure that the appliance is unplugged, cooled down and totally dry.
- Store the appliance in a cool and dry place.
- Keep the appliance out of the reach of children

5.3 Handling and transportation

- During handling and transportation, carry the appliance in its original packaging. The packaging of the appliance protects it against physical damages.
- Do not place heavy loads on the appliance or the packaging. The appliance may be damaged.
- Dropping the appliance will render it non-operational or cause permanent damage.

6 Troubleshooting

Troubleshooting	Reason	Help
The product does not work.	Check your fuse.	Your fuse might be closed, make it work.
The product does not work.	Check the electrical connection.	The mains voltage should be between 220-240 V.
The product does not work.	Check the electrical connection.	Check if the other products in your kitchen are working or not.
The lighting lamp does not work.	Check the electrical connection.	The mains voltage should be between 220-240 V.
The lighting lamp does not work.	Check the lamp switch.	The lamp switch should be in the "on" position.
The lighting lamp does not work.	Check the lamps.	The lamps of the product should not be faulty.
The air intake of the product is poor.	Check the aluminum filter.	The aluminum filter should be cleaned at least once a month under normal conditions.
The air intake of the product is poor.	Check the air vent flue.	The air vent flue should be in the "on" position.
The air intake of the product is poor.	Check the carbon filter.	For products with carbon filters, the filter should normally be changed every 3 months.

Bitte lesen Sie zunächst diese Anleitung!

Sehr geehrte Kundin, sehr geehrter Kunde,

Vielen Dank, dass Sie sich für dieses Gerät der Marke Beko entschieden haben. Wir sind überzeugt, dass Sie mit diesem Gerät, das mit den höchsten Qualitätsanforderungen und modernster Technologie hergestellt wurde, beste Ergebnisse erzielen werden. Bitte lesen Sie die gesamte Bedienungsanleitung und alle anderen Begleitdokumente aufmerksam, bevor Sie das Gerät verwenden; bewahren Sie sie zum künftigen Nachschlagen sicher auf. Wenn Sie das Gerät an jemanden weitergeben, händigen Sie ihm bitte auch diese Anleitung aus. Befolgen Sie die Anweisungen, indem Sie alle Informationen und Warnhinweise in der Bedienungsanleitung beachten.

Bitte denken Sie daran, dass diese Bedienungsanleitung eventuell für mehrere Modelle geschrieben wurde. Unterschiede zwischen den Modellen werden in der Anleitung klar und deutlich beschrieben.

Bedeutung der Symbole

Folgende Symbole werden in den verschiedenen Abschnitten dieser Anleitung verwendet:



Wichtige Informationen und nützliche Hinweise zur Verwendung.



WARNUNG: Warnhinweise zu gefährlichen Situationen im Hinblick auf die Sicherheit von Leib, Leben und Eigentum.



Warnung vor Brandgefahr.



Warnung vor Stromschlägen.



Schutzklasse gegen Stromschläge.



1 Wichtige Sicherheits- und Umwelanweisungen

1.1 Allgemeine Sicherheit

Wichtige Sicherheitsanweisungen sorgfältig lesen und zum künftigen Nachschlagen aufbewahren. Dieser Abschnitt enthält Sicherheitsanweisungen, die beim Schutz vor Personen- und Sachschäden, Bränden, Stromschlägen und dem Austreten von Mikrowellenenergie helfen. Bei Nichtbeachtung dieser Anweisungen erlischt die Gewährleistung.

- Beko-Produkte stimmen mit geltenden Sicherheitsstandards überein; daher sollten Gerät oder Netzkabel zur Vermeidung von Gefahren im Falle von Schäden durch den Händler, ein Kundencenter oder einen spezialisierten, autorisierten Serviceanbieter repariert oder ersetzt werden. Fehlerhafte oder unqualifizierte Reparaturen können Gefahren und Risiken für den Benutzer verursachen.
- Dieses Gerät ist für den Einsatz in Haushalten und ähnlichen Bereichen vorgesehen, wie:
 - In Betriebsküchen, Läden, Büros und anderen Arbeitsumgebungen;
 - Bauernhöfen;
 - Von Gästen in Hotels und anderen Wohnumgebungen;
 - Pensionen und Jugendherbergen.
- Das Gerät darf nur für seinen in dieser Anleitung beschriebenen vorgesehenen Zweck verwendet werden.
- Der Hersteller haftet nicht für Schäden, die auf unsachgemäße Installation oder fehlerhaften Gebrauch zurückzuführen sind.
- Das Gerät darf nur dann von Kindern ab 8 Jahren und Personen mit körperlichen oder geistigen Einschränkungen genutzt werden, wenn diese beaufsichtigt werden oder gründlich über den richtigen und sicheren Umgang mit dem Gerät aufgeklärt wurden und sich sämtlicher möglicher Gefahren bewusst sind.
- Kinder dürfen nicht mit dem Gerät spielen. Reinigungs- und Wartungsarbeiten dürfen nicht

1 Wichtige Sicherheits- und Umwelanweisungen

unbeaufsichtigt von Kindern ausgeführt werden.

- Der Abstand zwischen der Stützfläche für Kochgeschirr auf dem Kochfeld und dem niedrigsten Teil der Abzugshaube muss mindestens 65 cm betragen.
- Falls die Anweisungen zur Installation eines Gasherdes einen größeren Abstand angeben, ist dieser einzuhalten.
- Stellen Sie sicher, dass Ihre Stromversorgung mit den Angaben am Typenschild des Gerätes übereinstimmt.
- Benutzen Sie das Gerät niemals, wenn das Netzkabel oder das Gerät selbst beschädigt ist.
- Vermeiden Sie Schäden am Netzkabel, indem Sie es nicht quetschen, knicken oder über scharfe Kanten ziehen. Halten Sie das Netzkabel von heißen Oberflächen und offener Flamme fern.
- Verwenden Sie das Gerät nur mit einer geerdeten Steckdose.

WARNUNG: Schließen Sie das Gerät erst nach vollständig ab-

geschlossener Installation an das Stromnetz an.

- Stellen Sie das Gerät so auf, dass der Netzstecker immer zugänglich ist.
- Berühren Sie die Lampen nicht, falls sie lange Zeit in Betrieb waren. Sie könnten sich die Finger verbrennen, da die Lampen heiß werden.
- Befolgen Sie die von zuständigen Behörden festgelegten Richtlinien zum Abführen von Abluft (diese Warnung ist bei Einsatz ohne Abzug nicht zutreffend).
- Nehmen Sie Ihr Gerät erst in Betrieb, nachdem Sie ein Kochgeschirr auf das Kochfeld gestellt haben. Andernfalls könnte hohe Hitze zur Verformung von Teilen Ihres Geräts führen.
- Schalten Sie die Kochfelder ab, bevor Sie das Kochgeschirr herunternehmen.
- Lassen Sie kein heißes Öl auf das Kochfeld gelangen. Kochgeschirr mit heißem Öl kann sich selbst entzünden.

1 Wichtige Sicherheits- und Umwelanweisungen

- Achten Sie auf Vorhänge und Abdeckungen, da Öl beim Zubereiten von Lebensmitteln, wie Pommes frites, Feuer fangen kann.
- Der Fettfilter muss mindestens einmal im Monat ersetzt werden. Der Kohlefilter muss mindestens alle 3 Monate ersetzt werden.
- Das Produkt muss entsprechend der Bedienungsanleitung gereinigt werden. Falls die Reinigung nicht entsprechend der Bedienungsanleitung durchgeführt wird, besteht Brandgefahr.
- Verwenden Sie kein nicht feuerbeständiges Filtermaterial anstelle des aktuellen Filters.
- Verwenden Sie nur Originalteile und vom Hersteller empfohlene Teile.
- Verwenden Sie das Gerät nicht ohne Filter. Entfernen Sie die Filter nicht, während das Gerät läuft.
- Sollte sich etwas entzünden, unterbrechen Sie als erstes sofort die Energieversorgung.
- Ersticken Sie ein Feuer mit einer geeigneten Decke oder ähnlich, verwenden Sie zum Löschen niemals Wasser.
- Trennen Sie das Gerät vor jeder Reinigung und bei Nichtbenutzung von der Stromversorgung.
- Der Unterdruck in der Umgebung darf 4 Pa (4×10^{-2} bar) nicht überschreiten, während die Dunstabzugshaube für das elektrische Kochfeld und Geräte mit einer anderen Energiequelle als Strom gleichzeitig laufen.
- Falls sich ein mit Heizöl oder Brenngasen betriebenes Gerät, z. B. Heizungen, in der Nähe der Dunstabzugshaube befindet, muss die Abluft dieses Gerätes vollständig getrennt abgeführt werden oder es muss hermetisch sein.
- Verwenden Sie zum Anschluss des Abzugs Rohre mit einem Durchmesser von 120 oder 150 mm. Der Rohranschluss muss möglichst kurz sein und sollte möglichst wenige Biegungen aufweisen.

1 Wichtige Sicherheits- und Umwelanweisungen

- **Verschluckungsgefahr!** Halten Sie alle Verpackungsmaterialien von Kindern fern.

ACHTUNG: Zugängliche Teile können bei Verwendung mit Kochgeräten heiß werden.

- Der Auslass des Produktes darf nicht an Luftkanäle angeschlossen werden, die auch andere Abluft abführen.
- Die Belüftung im Raum reicht möglicherweise nicht aus, wenn die Abzugshaube für das elektrische Kochfeld gemeinsam mit Geräten, die mit Gas oder anderen Kraftstoffen laufen, betrieben wird (dies trifft möglicherweise nicht auf Geräte zu, die Luft zurück in den Raum abgeben).
- Auf dem Produkt platzierte Gegenstände könnten herunterfallen. Stellen Sie keine Gegenstände auf das Produkt.
- Flambieren Sie nicht unter dem Gerät.

WARNUNG: Entfernen Sie vor Installation der Dunstabzugshaube die Schutzfolien.

- Achten Sie darauf, dass niemals hohe offene Flammen unter der Dunstabzugshaube entstehen, wenn diese in Betrieb ist.
- Fritteusen müssen während der Benutzung kontinuierlich überwacht werden; überhitztes Öl kann Feuer fangen.

1.2 Ihre Pflichten als Endnutzer



Dieses Produkt erfüllt die Vorgaben der EU-WEEE-Direktive (2012/19/EU). Das Produkt wurde mit einem Klassifizierungssymbol für elektrische und elektronische Altgeräte (WEEE) gekennzeichnet.

Dieses Elektro- bzw. Elektronikgerät ist mit einer durchgestrichenen Abfalltonne auf Rädern gekennzeichnet. Das Gerät darf deshalb nur getrennt vom unsortierten Siedlungsabfall gesammelt und zurückgenommen werden. Es darf somit nicht in den Hausmüll gegeben werden. Das Gerät kann z.B. bei einer kommunalen Sammelstelle oder ggf. bei einem Vertreter (siehe unten zu deren Rücknahmepflichten in Deutschland) abgegeben werden.

Das gilt auch für alle Bauteile, Unterbaugruppen und Verbrauchsmaterialien des zu entsorgenden Altgeräts.

Bevor das Altgerät entsorgt werden darf, müssen alle Altbatterien und Altkumulatoren vom Altgerät getrennt werden, die nicht vom Altgerät umschlossen sind. Das gleiche gilt für Lampen, die zerstörungsfrei aus dem Altgerät entnommen werden können. Der Endnutzer ist zudem selbst dafür verantwortlich, personenbezogene Daten auf dem Altgerät zu löschen.

1 Wichtige Sicherheits- und Umwelanweisungen

Die ordnungsgemäße Entsorgung gebrauchter Geräte trägt dazu bei, mögliche negative Folgen für die Umwelt und die menschliche Gesundheit zu vermeiden.

1.3 Hinweise zum Recycling



Helfen Sie mit, alle Materialien zu recyceln, die mit diesem Symbol gekennzeichnet sind. Entsorgen Sie solche Materialien, insbesondere

Verpackungen, nicht im Hausmüll, sondern über die bereitgestellten Recyclingbehälter oder die entsprechenden örtlichen Sammelsysteme.

Recyceln Sie zum Umwelt- und Gesundheitsschutz elektrische und elektronische Geräte.

1.4 Rücknahmepflichten der Vertreiber

Wer auf mindestens 400 m² Verkaufsfläche Elektro- und Elektronikgeräte vertreibt oder diese gewerblich an Endnutzer abgibt, ist verpflichtet, bei Abgabe eines neuen Gerätes, ein Altgerät des Endnutzers der gleichen Geräteart, das im Wesentlichen die gleichen Funktionen wie das neue Gerät erfüllt, am Ort der Abgabe oder in unmittelbarer Nähe, unentgeltlich zurückzunehmen. Das gilt auch für Vertreiber von Lebensmitteln mit einer Gesamtverkaufsfläche von mindestens 800 m², die mehrmals im Kalenderjahr oder dauerhaft Elektro- und Elektronikgeräte anbieten und auf dem Markt bereitstellen. Solche Vertreiber müssen zudem auf Verlangen des Endnutzers Altgeräte, die in keiner äußeren Abmessung größer als 25 cm sind, (kleine Elektrogeräte) im Einzelhandelsgeschäft oder in unmittelbarer Nähe hierzu unentgeltlich zurückzunehmen; die Rücknahme darf in diesem Fall nicht an den Kauf eines Elektro- oder Elektronikgerätes verknüpft, kann aber auf drei Altgeräte pro Geräteart beschränkt werden.

Ort der Abgabe ist auch der private Haushalt, wenn das neue Elektro- oder Elektronikgerät dorthin geliefert wird; in diesem Fall ist die Abholung des Altgerätes für den Endnutzer kostenlos.

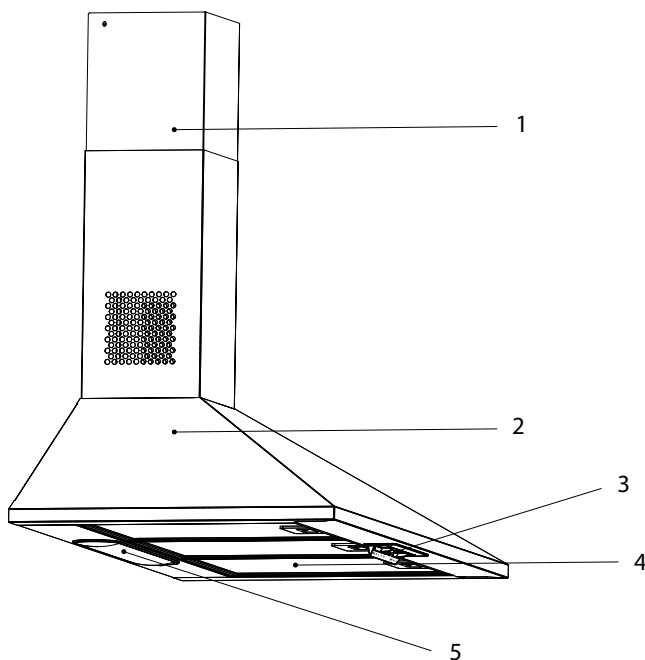
Die vorstehenden Pflichten gelten auch für den Vertrieb unter Verwendung von Fernkommunikationsmitteln, wenn die Vertreiber Lager- und Versandflächen für Elektro- und Elektronikgeräte bzw. Gesamtlager und Versandflächen für Lebensmittel beinhalten, die den oben genannten Verkaufsflächen entsprechen. Die unentgeltliche Abholung von Elektro- und Elektronikgeräten ist dann aber auf Wärmeüberträger (z.B. Kühlschrank), Bildschirme, Monitore und Geräte, die Bildschirme mit einer Oberfläche von mehr als 100 cm² enthalten und Geräte beschränkt, bei denen mindestens eine der äußeren Abmessungen mehr

1.5 Einhaltung von RoHS-Vorgaben

Das von Ihnen erworbene Produkt erfüllt die Vorgaben der EU-RoHS Richtlinie (2011/65/EU). Es enthält keine in der Richtlinie angegebenen gefährlichen und unzulässigen Materialien.

2 Allgemeines Aussehen

2.1 Überblick



1. Abzug
2. Gehäuse
3. Steuertafel
4. Metallölfilter
5. Herdbeleuchtung

2.2 Technische Daten

Modell	HCP61310I HCP61310IH HCP61310W HCP61310B	HCP91310I
Netzspannung	220-240V ~ 50 Hz	
Lampenleistung	2x3 W	
Motorleistung	90 W	
Luftdurchsatz – 3. Stufe	395 m ³ /h	
Isolationsklasse des Motors	Klasse F	
Isolationsklasse	KLASSE II	

3 Verwendung des Geräts

3.1 Bedienfeld

		
	0 1 2 3	0 1
* : Beleucht	Um die Lampe auszuschalten, stellen Sie den Lampenschalter (*) auf "0". Um die Lampe auszuschalten, stellen Sie den Lampenschalter (*) auf "1".	
⋈ : Motor	Um den Motor auszuschalten, stellen Sie den Motorschalter (⋈) auf "0". Sie können den Motor je nach Intensität des Kochdampfes minimal bei Stufe 1 und maximal bei Stufe 3 laufen lassen.	

- Die Dunstabzugshaube ist ausschließlich für die Nutzung in Privathaushalten zur Vermeidung von Küchengeruch vorgesehen.
- Die Haube darf keinesfalls aus anderen Gründen als denjenigen verwenden, für die sie entwickelt wurde.
- Entzünden Sie niemals eine offene Flamme unter Haube, wenn das Gerät in Betrieb ist.
- Stellen Sie die Stärke einer Flamme so ein, dass diese stets unter dem Boden von Pfannen und Töpfen verbleibt, und achten Sie darauf, dass die Flamme niemals an den Seiten hochschlägt.
- Fritteusen müssen während einer Verwendung ständig beaufsichtigt werden, da sich überhitztes Öl entzünden kann.

3.2 Effiziente und energiesparende Nutzung

- Wenn Sie Ihr Gerät benutzen, passen Sie die Geschwindigkeitseinstellungen je nach Dampf- und Geruchsintensität an, um Energie zu sparen.
- Verwenden die niedrige bzw. mittlere Stufe (1-2) unter Normalbedingungen und die höchste Stufe (3) bei intensiver Dunst- und Geruchsentwicklung.
- Die Lampen der Dunstabzugshaube sind so angebracht, dass sie den Herdbereich beleuchten.
- Ihr Nutzung für die Beleuchtung der Küche kann zu unnötigen zusätzlichen Stromkosten führen, ohne dass die Raumbelichtung ausreichend wäre.
- Damit Ihr Gerät weniger Energie verbraucht, sollten Sie es mit einer niedrigen Geschwindigkeit laufen lassen.
- Ihr Gerät reduziert den Energieverbrauch und arbeitet effizienter, wenn Sie für eine ausreichende Luftzufuhr sorgen.
- Stellen Sie Ihr Gerät auf eine Stufe mit starker Ansaugleistung, bevor sich Dämpfe entwickeln, wenn eine starke Dampfentwicklung zu erwarten ist. So reduzieren Sie den Energieverbrauch, weil Sie das Gerät weniger lange einsetzen müssen, da die Luftzufuhr ausreichend ist.
- Kochen Sie möglichst mit geschlossenem Deckel, sodass weniger Dampf entweichen kann.

3.3 Bedienung der Dunstabzugshaube

- Die Dunstabzugshaube ist mit einem Motor mit verschiedenen Geschwindigkeitseinstellungen ausgestattet.

3 Verwendung des Geräts

- Für eine bessere Leistung empfehlen wir Ihnen, unter normalen Bedingungen niedrige Geschwindigkeiten und wenn Geruch und Dämpfe verstärkt werden, hohe Geschwindigkeiten zu verwenden.
- Sie können die Dunstabzugshaube starten, indem Sie die gewünschte Geschwindigkeitsstufe drücken. (1, 2, 3)
- Durch Drücken der Lichttaste L können Sie die Kochstelle beleuchten.

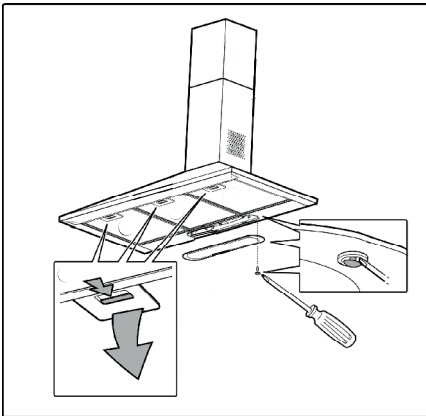
3.4 Lampenwechsel



- Vor dem Austausch der Leuchten müssen Sie die Stromzufuhr unterbrechen.
- Berühren Sie die Leuchten niemals im erhitzten Zustand.
- Achten Sie darauf, dass Sie die ausgetauschte Leuchte nicht mit den Händen berühren.




Sie können Leuchten über unsere vertraglichen Kundendienstanbieter beziehen.



Stellen Sie die elektrischen Anschlüsse des Geräts her. Ihr Gerät ist mit einer 3-W-Spot-LED-Lampe ausgestattet. Zum Auswechseln der Lampen drück-

ken Sie die Fassung von hinten nach unten, drehen Sie sie gegen den Uhrzeigersinn und nehmen Sie sie nach unten heraus. Wenden Sie den obigen Vorgang in umgekehrter Reihenfolge an, um neue Lampen einzubauen.

Glühbirne	
Leistung der Lampe	3 W
Halter / Sockel	E14
Die Spannung der Glühbirne	230 V
Größe	D35x98mm
ILCOS-Code	D R G S B / C / UB - 3 / 2 7 / 1 B - 230-E14-55
Lichtstrom	320 lm
Korrelierte Farbtemperatur	2700 K

Dieses Produkt enthält eine Lichtquelle der Energieeffizienzklasse "E".

3.5 Verwendung mit Abluftkanalanschluss

-  Der Dampf wird durch das Abluftrohr, der am Anschlusskopf der Abzugshaube auf dem Herd befestigt ist, abgesaugt.
- Der Durchmesser des Abluftrohrs muss dem Durchmesser des Anschlussrings entsprechen. Bei horizontaler Anordnung muss das Rohr ein leichtes Gefälle (ca. 10°) nach oben haben, damit die Luft leicht aus dem Raum austreten kann.

3.6 Verwendung ohne Abluftkanalanschluss

-  Die Luft wird durch den Kohlefilter gefiltert und im Raum rezirkuliert. Der Kohlefilter wird verwendet, wenn es unmöglich ist, einen Rauchabzug im Haus zu benutzen.
- Im rauchgaslosen Betrieb sind die Klappen im Inneren des Rauchgasadapters zu entfernen.

3 Verwendung des Geräts

- Entfernen Sie den Fettfilter. Zum Einbau des Kohlefilters den Filter auf die Laschen aufsetzen, indem Sie ihn auf dem Kunststoffteil auf beiden Seiten des Gebläsegehäuses zentrieren. durch Rechts- oder Linksdrehung festziehen.
- Fettfilter ersetzen.

4 Reinigung und Wartung

Das Gerät sollte regelmäßig gereinigt und gewartet werden. Ein unzureichend gereinigtes Gerät hat negative Folgen für die Lebensdauer des Geräts. Für Transport und Wartung befolgen Sie bitte die Anweisungen in der Bedienungsanleitung.



Ziehen Sie vor der Reinigung und Wartung den Netzstecker oder schalten Sie den Schalter aus.



Die Nichteinhaltung der Reinigungsanweisungen für das Gerät und sowie der Anweisungen zum Filterwechsel kann zu akuter Brandgefahr führen. Daher wird dringend empfohlen, die hier gegebenen Anweisungen zu befolgen. Der Hersteller haftet nicht für Geräte- oder Brandschäden, die aus einer unsachgemäßen Verwendung herrühren.

Reinigen Sie das Gerät nur mit einem feuchten Tuch und einem neutralen Flüssigreiniger. Verwenden Sie keinesfalls Instrumente oder Werkzeuge für eine Reinigung. Verwenden Sie keine ätzenden oder scheuernden Reinigungsmittel. Verwenden Sie keine alkoholhaltigen Reinigungsmittel

4.1 Reinigung des Fettfilters

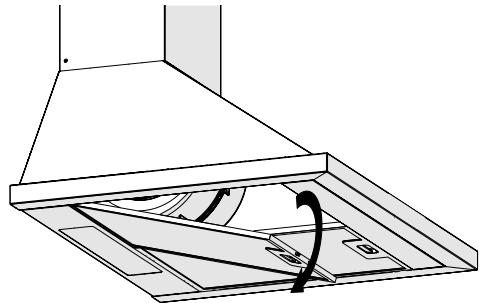
Der Fettfilter hält die Ölpartikel in der Luft zurück. Fettfilter können nach wiederholter Reinigung ihre Farbe ändern. Dies ist normal und erfordert keinen Filterwechsel.



Sie können den Fettfilter in der Spülmaschine waschen.



WARNUNG: Reinigen Sie Ihren Fettfilter bei normalem Gebrauch einmal pro Monat.



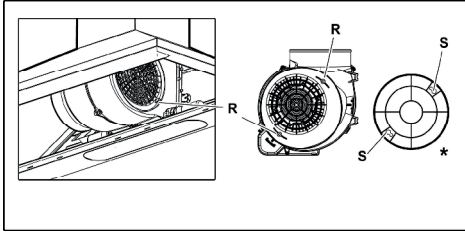
- Drücken Sie den Aluminium-Ölfilterverschluss nach vorne.
- Ziehen Sie ihn dann leicht nach unten und ziehen Sie ihn heraus. Andernfalls können Sie den Filter verbiegen. Waschen und spülen Sie Aluminiumölfilter mit flüssigem Reinigungsmittel und ersetzen Sie Aluminiumfilter bis zu ihren Sitzen, indem Sie die oben angegebenen Schritte in umgekehrter Reihenfolge durchführen. Dieser Filter hält die Ölpartikel in der Luft zurück.

4.2 Austausch des Kohlefilters

Geruchsbesitzigende Filter enthalten Holzkohle (Aktivkohle). Das Gerät muss stets mit eingesetzten Fettfiltern betrieben werden, unabhängig da-

4 Reinigung und Wartung

von, ob ein Kohlefilter verwendet wird oder nicht.



- Entfernen Sie die Aluminiumfilter.
- Entfernen Sie den Filter, indem Sie die Stifte im Uhrzeigersinn von S auf R drehen.

- Installieren Sie den neuen Filter, indem Sie das oben beschriebene Verfahren in umgekehrter Reihenfolge ausführen.
- Installieren Sie die Aluminiumfilter.

WARNUNG



- Der Aktivkohlefilter darf niemals gewaschen werden.
- Ersetzen Sie die Kohlefilter einmal alle 3 Monate.
- Sie können den Aktivkohlefilter bei autorisierten Servicehändlern beziehen.

5 Aufbau des Geräts



WARNUNG: Lesen Sie vor Beginn der Installation die Sicherheitshinweise im Benutzerhandbuch.



WARNUNG: Wenn Sie nicht mit Schrauben und Stabilisatoren gemäß diesen Anweisungen installieren, kann dies zu einem elektrischen Schlag führen.

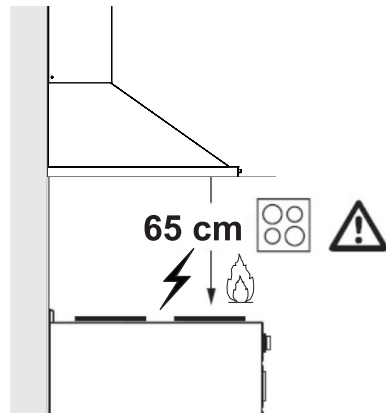


Lesen Sie dazu auch Seite 137 mit der Aufbauanleitung

Um die Dunstabzugshaube zu installieren, wenden Sie sich bitte an den nächstgelegenen autorisierten Kundendienst.

Es liegt in der Verantwortung des Kunden, den Standort der Dunstabzugshaube und die elektrische Installation vorzubereiten.

5.1 Positionierung des Geräts



- Der Abstand zwischen dem Herd und der Abzugshaube muss vor der Montage berücksichtigt werden. Dieser Abstand sollte 65 cm betragen.
- Der Abstand muss bei Gasherden von der Oberfläche des Rostes. Und bei Elektroherden von der Oberfläche des Glases gemessen werden.

5 Aufbau des Geräts

5.2 Lagerung

- Lagern Sie das Gerät sorgfältig, wenn Sie es längere Zeit nicht benutzen sollten.
- Sorgen Sie dafür, dass das Gerät vom Stromnetz getrennt, gänzlich abgekühlt und trocken ist.
- Lagern Sie das Gerät an einem kühlen, trockenen Ort.
- Halten Sie das Gerät von Kindern fern.

5.3 Handhabung und Transport

- Tragen Sie das Gerät während der Handhabung und des Transports in der Originalverpackung.
- Die Verpackung des Geräts schützt es vor physischen Schäden.
- Legen Sie keine schweren Lasten auf das Gerät oder auf die Verpackung. Das Gerät kann beschädigt werden.

6 Fehlerbehebung

Fehlerbehebung	Grund	Hilfe
Das Produkt funktioniert nicht.	Überprüfen Sie Ihre Sicherung	Ihre Sicherung könnte geschlossen sein, sorgen Sie dafür, dass sie funktioniert.
Das Produkt funktioniert nicht.	Überprüfen Sie die elektrische Verbindung.	Die Netzspannung sollte zwischen 220-240V liegen.
Das Produkt funktioniert nicht.	Überprüfen Sie die elektrische Verbindung.	Überprüfen Sie, ob die anderen Produkte in Ihrer Küche funktionieren oder nicht.
Die Beleuchtung Lampe funktioniert nicht.	Überprüfen Sie die elektrische Verbindung.	Die Netzspannung sollte zwischen 220-240V liegen.
Die Beleuchtung Lampe funktioniert nicht.	Überprüfen Sie den Lampenschalter.	Der Lampenschalter sollte sich in der Position "Ein/on" befinden.
Die Beleuchtung Lampe funktioniert nicht.	Überprüfen Sie die Lampen.	Die Lampen des Produkts sollten nicht defekt sein.
Die Luftzufuhr des Produkts ist schlecht.	Prüfen Sie den Aluminiumfilter.	Der Aluminium-Ölfilter sollte unter normalen Bedingungen mindestens einmal im Monat gereinigt werden.
Die Luftzufuhr des Produkts ist schlecht.	Überprüfen Sie den Abluftkamin.	Der Entlüftungskanal sollte sich in der "Ein" Stellung befinden.
Die Luftzufuhr des Produkts ist schlecht.	Überprüfen Sie den Kohlefilter.	Bei Produkten mit Kohlefilter sollte der Filter normalerweise alle 3 Monate gewechselt werden.

Garantiebedingungen

Anschrift:

Beko Grundig Deutschland GmbH
Rahmannstraße 3
65760 Eschborn

Kundendienst-Tel.: 06102-86 86 891

Fax: 01805-414 400 *

E-Mail: Kundendienst@beko.com

Ersatzteile-Tel.: 01805-242 515 *

Fax: 01805-345 001*

E-Mail: ersatzteile@beko.com

Sehr geehrte Kundin, sehr geehrter Kunde,

wir gratulieren Ihnen zum neuen Gerät der Marke Beko und wünschen Ihnen viel Freude daran. Sollten Sie dennoch einmal einen Grund zu einer Reklamation erkennen, dann wenden Sie sich bitte an unseren Kundendienst. Geben Sie im Falle einer Störung Ihre genaue Anschrift, Telefonnummer und den GERÄTETYP (vom Typenschild des Gerätes) an.

Hinweis für Kühl- und Gefriergeräte, Achtung!

Um voll funktionsfähig zu sein, benötigt Ihr Gerät nach dem Transport ca. 24 Stunden, in denen sich das Kühlmittel stabilisiert. Sofern es nicht vermeidbar ist und Sie das Gerät sofort nach Aufstellung mit Gefriergut bestücken wollen, müssen Sie damit rechnen, dass die rote Lampe bis zur Stabilisierung des Kühlkreislaufs aufleuchtet. Die Kühlleistung beginnt jedoch vom Augenblick des Anschlusses an sich auf zu bauen.

Die Garantiezeit beträgt 24 Monate ab Kaufdatum.

Bedingungen:

Dieses Gerät wurde nach den modernsten Methoden hergestellt und geprüft. Der Hersteller leistet unabhängig von der gesetzlichen Gewährleistungsverpflichtung des Verkäufers / Händlers für die Dauer von 24 Monaten, gerechnet vom Tag des Kaufes, Garantie für einwandfreies Material und fehlerfreie Fertigung.

Der Garantieanspruch erlischt bei Eingriffen durch den Käufer oder durch Dritte, die vom Hersteller nicht für den Service autorisiert sind oder wenn das Gerät zu gewerblichen Zwecken eingesetzt wird. Schäden die durch unsachgemäße Behandlung oder Bedienung, durch falsches Aufstellen oder Aufbewahren, durch unsachgemäßen Anschluss, oder fehlerhafte Installationen sowie durch höhere Gewalt oder sonstige äußere Einflüsse entstehen, fallen nicht unter die Gewährleistung.

Abhilfemöglichkeiten:

Wir behalten uns vor, bei Reklamationen die defekten Teile auszubessern oder zu ersetzen oder das Gerät auszutauschen. Ausgetauschte Teile oder ausgetauschte Geräte gehen in unser Eigentum über. Nur wenn durch Nachbesserung(en) oder Umtausch des Gerätes die herstellereitig vorgesehene Nutzung endgültig nicht zu erreichen sein sollte, kann der Käufer aus Gewährleistung innerhalb von 24 Monaten, gerechnet vom Tag des Kaufes, Herabsetzung des Kaufpreises oder Aufhebung des Kaufvertrages verlangen. Nachbesserungen verlängern nicht die Gewährleistungszeit. Schadenersatzansprüche, auch hinsichtlich Folgeschäden, sind, soweit sie nicht auf Vorsatz oder grober Fahrlässigkeit beruhen, ausgeschlossen.

Bei unnötiger oder unberechtigter Beanspruchung des Kundendienstes berechnet dieser Zeit- und Wegeentgelt. Reklamationen sind unmittelbar nach Feststellung zu melden. Der Garantieanspruch ist vom Käufer, durch Vorlage der Kaufquittung, nachzuweisen. Bei Nicht-vorlage ist die Reparatur kostenpflichtig. Eine Rückerstattung – nach späterer Einsendung der Kaufquittung – kann nur innerhalb von einem Monat nach Rechnungsdatum gewährt werden.

**Diese Garantiezusage ist gültig innerhalb der Bundesrepublik Deutschland
(*) 0,14 EUR/Min. aus dem Festnetz der T-Com; Mobilfunk max. 0,42 EUR/Min. (nur für Deutschland)**

Leia este manual do utilizador em primeiro lugar!

Prezado Cliente,

Obrigado por preferir este aparelho da Beko. Esperamos que obtenha os melhores resultados com o nosso aparelho, que foi fabricado com tecnologia avançada e de alta qualidade. Como tal, leia com atenção todo este manual do utilizador e os outros documentos que o acompanham antes de utilizar o aparelho e guarde-o como referência para uso futuro. Se passar o aparelho para outra pessoa, dê-lhe também este manual do utilizador. Siga as instruções estando atento às informações e avisos no manual do utilizador.

Lembre-se que este manual do utilizador também pode aplicar-se a outros modelos. As diferenças entre modelos são explicitamente descritas no manual.

Significados dos símbolos

Os seguintes símbolos são usados em várias secções deste manual:



Informações importantes ou dicas úteis sobre a utilização.



AVISO: Avisos para situações perigosas relativas à segurança de pessoas e bens.



Aviso sobre perigo de incêndio.



Aviso de choque elétrico.



Classe de proteção para choque elétrico.



1 Instruções importantes sobre segurança e meio ambiente

1.1 Segurança geral

Instruções importantes sobre a segurança, leia com cuidado e mantenha para a referência futura. Esta secção contém instruções de segurança que ajudarão a protegê-lo(a) contra o risco de incêndio, exposição a energia de micro-ondas libertada acidentalmente, ferimentos pessoais ou danos à propriedade. O não cumprimento destas instruções invalida a garantia concedida.

- Os produtos Beko estão em conformidade com as normas de segurança aplicáveis; portanto, em caso de qualquer dano no aparelho ou cabo de alimentação, deve ser reparado ou substituído pelo revendedor, centro de assistência ou por uma assistência especializada e autorizada para evitar qualquer perigo. Reparações defeituosas ou não qualificadas podem ser perigosas e constituir riscos para o utilizador.
- Este aparelho destina-se à utilização doméstica e aplicações semelhantes, como por exemplo:
 - Áreas da cozinha dos funcio-

nários em lojas, escritórios e outros ambientes de trabalho;

- Casas de turismo rural;
 - Por clientes em hotéis, pensões e outros tipos de ambientes residenciais;
 - Alojamentos do tipo cama e pequeno-almoço.
- Use este aparelho apenas para os fins a que se destina e tal como descrito neste manual.
 - O fabricante não se responsabiliza por quaisquer danos resultantes de uma instalação incorreta ou imprópria.
 - Este equipamento pode ser usado por crianças com idade de 8 anos ou mais e por pessoas com capacidades físicas, sensoriais ou mentais reduzidas ou com falta de experiência e conhecimento se forem supervisionadas ou que lhes tenha sido dada instrução a respeito da utilização do equipamento de um modo seguro e que compreendam os perigos envolvidos.
 - As crianças não devem brincar com o aparelho. A limpeza e a

1 Instruções importantes sobre segurança e meio ambiente

manutenção do utilizador não devem ser realizadas por crianças sem serem supervisionadas.

- A distância mínima entre a superfície de apoio para os recipientes na placa de cozinha e a parte inferior do produto deve ser de 65 cm, no mínimo.
- Se as instruções de instalação para a placa de cozinha a gás especificarem uma distância maior, esta deve ser tida em consideração.
- Certifique-se de que a alimentação elétrica está em conformidade com as informações fornecidas na placa de dados do aparelho.
- Nunca utilize o aparelho se o cabo de alimentação ou o próprio aparelho estiverem danificados.
- Evite danos ao cabo de alimentação, evitando apertá-lo, dobrá-lo ou arrastá-lo sobre extremidades pontiagudas. Mantenha o cabo de alimentação afastado de superfícies quentes e chamas vivas.
- Apenas utilize o aparelho numa tomada com ligação à terra.

AVISO: Não ligue o aparelho à corrente até que a instalação esteja concluída.

- Coloque o aparelho de modo a que a ficha esteja sempre acessível.
- Não toque nas lâmpadas caso tenham estado acesas durante muito tempo. Estas podem queimar as suas mãos, dado que ficam quentes.
- Siga os regulamentos estabelecidos pelas autoridades competentes relativos ao ar de exaustão (este aviso não se aplica se o aparelho for utilizado sem chaminé).
- Utilize o aparelho apenas depois de colocar um tacho, uma frigideira, etc. na placa de cozinha. Caso contrário, o calor excessivo pode deformar algumas partes do aparelho.
- Desligue a placa de cozinha antes de retirar o tacho, a frigideira, etc.
- Não deixe óleo quente na placa de cozinha. As frigideiras com óleo quente podem entrar em combustão espontânea.

1 Instruções importantes sobre segurança e meio ambiente

- Preste atenção às cortinas e tampas, pois o óleo pode incendiar-se enquanto se cozinha, por exemplo, batatas fritas.
 - O filtro de gordura deve ser substituído, no mínimo, mensalmente. O filtro de carbono deve ser substituído, no mínimo, a cada 3 meses.
 - O aparelho deve ser limpo de acordo com as instruções do manual do utilizador. Pode existir perigo de incêndio caso a limpeza não seja realizada de acordo com as instruções do manual do utilizador.
 - Não utilize materiais de filtração que não sejam resistentes ao fogo além do filtro atual.
 - Utilize apenas as peças originais ou peças recomendadas pelo fabricante.
 - Não utilize o aparelho sem o filtro e não retire os filtros durante o funcionamento do aparelho.
 - No caso de deflagrar uma chama, corte a alimentação elétrica do aparelho e dos eletrodomésticos.
 - No caso de deflagrar uma chama, cubra-a e nunca use água para extingui-la.
 - Desligue o aparelho antes de cada limpeza e quando este não estiver a ser utilizado.
 - A pressão negativa no ambiente não deverá exceder 4 Pa (4 x 10 bar) enquanto o exaustor para a placa de cozinha elétrica e os aparelhos alimentados por outro tipo de energia além da eletricidade estiverem a funcionar em simultâneo.
 - No ambiente em que o aparelho está a ser utilizado, a exaustão dos dispositivos que funcionam a óleo combustível ou gás, como é o caso dos aquecedores, deverá ficar totalmente isolada. Caso contrário, o aparelho terá de ser de tipo hermético.
 - Ao fazer a ligação à chaminé, utilize tubos com 120 ou 150 mm de diâmetro. A ligação do tubo deve ser o mais curta possível e ter o menor número de curvas possível.
- Perigo de asfixia!** Mantenha todos os materiais da embalagem afastados das crianças.

1 Instruções importantes sobre segurança e meio ambiente

ATENÇÃO: Partes acessíveis podem ficar quentes quando utilizadas com aparelhos de cozinha.

- A saída do exaustor não pode estar ligada aos canais de ar que incluem outros fumos.
- A ventilação na divisão poderá ser insuficiente quando se utilizar o exaustor para a placa de cozinha elétrica simultaneamente com os dispositivos que funcionam a gás ou outros combustíveis (isto poderá não se aplicar aos aparelhos que apenas fazem o retorno do ar para a divisão).
- Os objetos colocados em cima do aparelho podem cair. Não coloque quaisquer objetos em cima do aparelho.
- Não flambeie debaixo do aparelho.

AVISO: Remova as películas protetoras antes de instalar a Placa de cozinha.

- Nunca deixe chamas vivas altas sob o exaustor quando este estiver em funcionamento
- Mantenha as fritadeiras sob controlo durante a utilização: o óleo sobreaquecido pode inflamar-se.

1.2 Conformidade com a Diretiva REEE e eliminação do produto residual:

Este produto está em conformidade com a Diretiva REEE da UE (2012/19/UE). Este produto traz um símbolo de classificação para reciclagem de equipamentos elétricos e eletrónicos (REEE).



Este símbolo indica que o produto não deve ser eliminado juntamente com o lixo doméstico no fim da sua vida útil. Os aparelhos usados devem ser levados para um ponto de recolha oficial para a reciclagem de aparelhos elétricos e eletrónicos. Para encontrar estes sistemas de recolha, entre em contacto com as autoridades locais ou com o revendedor através do qual adquiriu o produto. Cada domicílio desempenha um papel fundamental na recolha e reciclagem de aparelhos antigos. A eliminação correta de aparelhos usados ajuda a prevenir potenciais efeitos negativos ao meio ambiente e à saúde humana.

1.3 Conformidade com a Diretiva RoHS

O produto adquirido está em conformidade com a Diretiva RoHS da UE (2011/65/UE). Não contém materiais prejudiciais ou proibidos especificados na Diretiva.

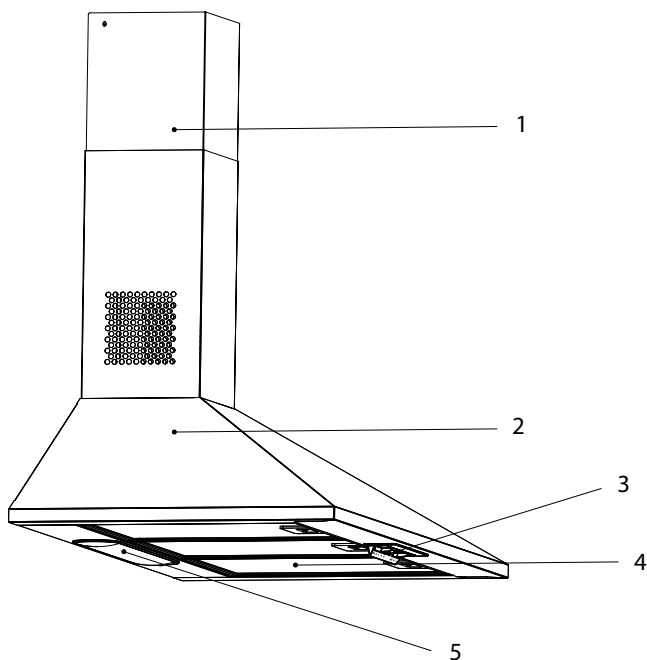
1.4 Informação de embalagem



Os materiais para embalagem do produto são fabricados a partir de materiais recicláveis, em conformidade com a nossa Regulamentação Nacional do Ambiente. Não elimine os materiais da embalagem juntamente com os resíduos domésticos ou outros tipos de resíduos. Leve-os para os pontos de recolha de materiais de embalagem designados pelas autoridades locais.

2 Aspecto geral

2.1 Visão geral








1. Conduta
2. Estrutura
3. Painel de controlo
4. Filtro de óleo metálico
5. Iluminação do fogão

2.2 Dados técnico

Modelo	HCP61310I HCP61310IH HCP61310W HCP61310B	HCP91310I
Tensão de alimentação	220-240V ~ 50 Hz	
Potência da lâmpada	2x3 W	
Potência do Motor	90 W	
Fluxo de ar - 3. Nível	395 m³/h	
Classe de isolamento do motor	CLASSE F	
Classe de isolamento	CLASSE II	

3 Utilização do electrodoméstico

3.1 Painel de controlo

			
	0 1 2 3	0 1	
* : Luzes	Para desligar a lâmpada, colocar o interruptor da lâmpada () na posição '0'. Para acender a lâmpada, colocar o interruptor da lâmpada () na posição '1'.		
⊗ : Motor	Para desligar o motor, colocar o interruptor do motor () na posição '0'. Pode operar o motor no nível mínimo de velocidade 1 e no nível máximo no de velocidade 3 dependendo da intensidade do vapor da cozedura.		

- O exaustor foi concebido exclusivamente para o uso doméstico, a fim de eliminar os odores da cozinha.
- Nunca utilizar o exaustor para outros fins para os quais não foi concebido.
- Nunca deixe alta chamas expostas sob o exaustor quando o mesmo estiver a funcionar.
- Ajustar a intensidade da chama para direccioná-la apenas para o fundo da panela, certificando-se de que a mesma não envolva os lados.
- Fritadeiras de gordura profunda devem ser monitorizadas continuamente durante a utilização: óleosobreaquecido pode irromper em chamas.

3.2 Utilização eficiente em termos de Poupança de Energia

- Quando usar o seu aparelho, ajustar as definições da velocidade de acordo com a intensidade de vapor e de odor, de modo a economizar energia.
- Usar as velocidades reduzidas (1-2) em condições normais e a velocidade mais elevada (3) com vapor e odor intensos.
- As lâmpadas no exaustor são colocadas para iluminar a zona de cozedura.
- Se usar as mesmas para iluminação ambiente irá provocar consumo desnecessário de energia e iluminação insuficiente.
- Para que o seu exaustor consuma menos energia, deve colocá-lo a funcionar num nível de velocidade baixa.
- O seu exaustor irá reduzir o consumo de energia e funcionará de forma mais eficiente quando permitir a entrada de ar suficiente no mesmo..
- Definir o seu exaustor para um nível de potência de sucção intensa perante a formação de vapor, nos casos em que souber que irá ocorrer vapor denso. Portanto, reduza o consumo de energia utilizando o seu exaustor durante um período de tempo mais curto à medida que o mesmo tiver uma entrada de ar suficiente.
- Mantenha as tampas do recipiente fechadas para reduzir a libertação do vapor.

3.3 Funcionamento do exaustor

- O seu aparelho inclui um motor com várias velocidades.
- Para um melhor desempenho, recomendamos usar velocidades reduzidas em condições normais e velocidades elevadas no caso de odores fortes e de vapor intenso.
- Pode começar a usar o seu aparelho premindo no botão de definição da velocidade pretendida. (1, 2, 3)
- Pode iluminar a zona de cozedura premindo a lâmpada.

3 Utilização do electrodoméstico

3.4 Substituição das lâmpadas

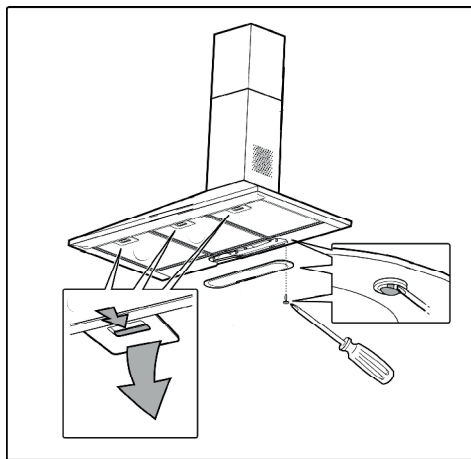


- Antes de substituir as lâmpadas, desligue a alimentação eléctrica do exaustor.
- Não tocar nas lâmpadas quando as mesmas estiverem quentes.
- Cuidado para não tocar com as mãos directamente na lâmpada substituída.



Pode comprar lâmpadas de agentes de serviço autorizados.

Fazer as ligações eléctricas do aparelho. O seu aparelho está equipado com uma lâmpada LED spot de 3 W. Para substituir as lâmpadas, empurrar para baixo o suporte da lâmpada a partir de trás, rodá-lo no sentido anti-horário e tirá-lo por baixo. Realizar a operação acima no sentido inverso para instalar as novas lâmpadas.

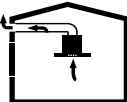


Lâmpada	
Potência da lâmpada	3 W

Suporte / Tomada	E14
Tensão da lâmpada	230 V
Dimensão	D35x98mm
Código ILCOS	DRGSB/C/UB-3/27/1B-230-E14-55
Fluxo luminoso	320 lm
Temperatura de cor relacionada	2700 K

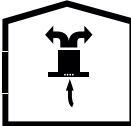
Este produto contém uma fonte de luz com a classe de eficiência energética “E”.

3.5 Funcionamento com ligação à chaminé

-  O vapor é extraído através da conduta da chaminé, que é fixada à cabeça de ligação no exaustor.

- O diâmetro da conduta da chaminé tem de ser o mesmo do anel de ligação. Nas definições horizontais, o tubo tem de ter uma ligeira inclinação para cima (cerca de 10°) de modo a que o ar possa sair facilmente do espaço.

3.6 Funcionamento sem ligação à chaminé

-  O ar filtrado através do filtro de carvão e recirculado no espaço. O filtro de carvão é usado quando é impossível usar uma Chaminé dentro de casa.

- Na Chaminé com pouco uso, remover as abas no interior do adaptador da mesma.
- Retirar o filtro de gordura em alumínio. Para instalar o filtro de carvão, encaixar o filtro nas guias centrando o mesmo na peça de plástico nos dois lados da estrutura da ventoinha. Apertar o mesmo rodando-o para a direita ou para a esquerda.
- Voltar a colocar o filtro de gordura em alumínio.

4 Limpeza e manutenção

O exaustor deve ser mantido e limpo regularmente. Se não mantiver o exaustor limpo isso poderá afetar adversamente a duração do mesmo. Para a limpeza e para a manutenção, deve seguir as instruções indicadas no manual.



Antes de efetuar a limpeza e a manutenção, desligar o produto ou desligar o interruptor.



O incumprimento do estabelecido em relação à limpeza do exaustor e à substituição dos filtros pode resultar em risco de vida. Portanto, é recomendado seguir as orientações indicadas aqui. O fabricante não é responsável por danos no motor ou por incêndios provocado por um uso inadequado.

Limpar utilizando apenas um pano humedecido com detergente líquido neutro. Não limpar com ferramentas ou instrumentos. Não utilizar produtos abrasivos. Não usar álcool.

4.1 Limpeza do filtro de gordura em alumínio

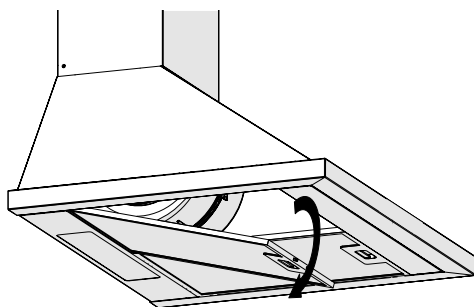
Este filtro retém as partículas do óleo existentes no ar. Os filtros de gordura em alumínio podem mudar de cor à medida que vão sendo lavados, isto é normal e não exige a substituição dos seus filtros de gordura em alumínio.



Pode lavar o filtro de gordura em alumínio na máquina de lavar loiça.



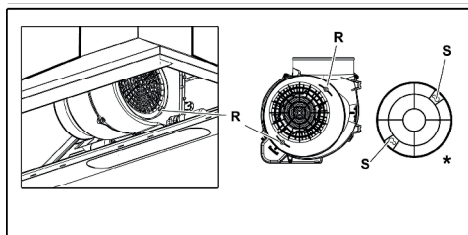
CUIDADO: Com uma utilização normal, limpar o filtro do óleo uma vez por mês.



- Empurrar para a frente o fecho do filtro do óleo em alumínio.
- Seguidamente, puxar o mesmo para baixo e remover. Caso contrário, pode dobrar o filtro. Lavar e enxaguar os filtros de óleo em alumínio com detergente líquido e voltar a colocar os filtros de alumínio nas respetivas fixações realizando os passos especificados acima na ordem inversa. Este filtro retém as partículas do óleo existentes no ar.

4.2 Substituição dos filtros de carvão

Is filtros de eliminação de odores contêm carvão (Carvão ativo). Os filtros do óleo têm de ser instalados no produto, independentemente se forem usados filtros de carvão ou não.



- Remover os filtros de em alumínio.
- Remover o filtro rodando os pinos do nível S para o nível R no sentido anti-horário.
- Instalar um novo filtro implementado o procedimento acima na ordem inversa.
- Instalar os filtros de alumínio. Instalar o filtro de de alumínio.

4 Limpeza e manutenção



CUIDADO

- O filtro de carvão nunca deve ser lavado.
- Substituir os filtros de carvão uma vez em cada 3 meses.
- Pode obter o filtro de carvão nos revendedores autorizados.

5 Montagem do dispositivo



ADVERTÊNCIA: Antes de iniciar a instalação, deve ler a informação de segurança no Manual do Utilizador.



ADVERTÊNCIA: Não instalar com parafusos e estabilizadores de acordo com estas instruções pode resultar em choque elétrico.

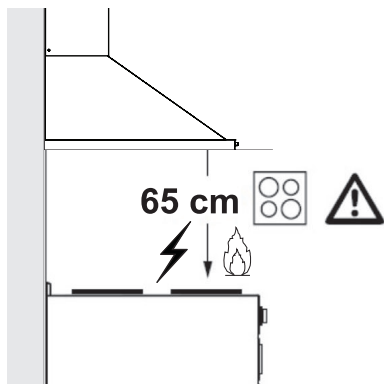


Consulte a página 137 para o guia de instalação

Para instalar o exaustor, deve contactar o Serviço Autorizado mais próximo.

É da responsabilidade do cliente preparar a localização e a instalação elétrica do exaustor.

5.1 Posição do aparelho



- A distância entre o fogão e o exaustor tem de ser considerada antes da montagem. Esta distância deve ser de 65 cm.
- A distância tem de ser medida a partir da superfície da grelha para os fogões a gás, a partir da superfície de vidro para os fogões elétricos.

5.2 Depozitarea

- Dacă nu doriți să utilizați aparatul pentru o perioadă lungă de timp, depozitați-l cu grijă.
- Asigurați-vă că aparatul este decuplat, că s-a răcit complet și că este perfect uscat.
- Depozitați aparatul într-un loc uscat și rece.
- Nu lăsați aparatul la îndemâna copiilor

5.3 Manevrarea și transportul

- În timpul manevrării și transportului, transportați produsul în ambalajul său original. Ambalajul aparatului îl protejează împotriva deteriorării fizice.
- Nu plasați obiecte grele pe aparat sau pe ambalaj. Aparatul poate fi deteriorat.
- Căderea aparatului îl poate face nefuncțional sau poate provoca daune permanente.

6 Resolução de problemas

Resolução de problemas	Causa Origem	Ajuda
O aparelho não está a funcionar.	Verificar os fusíveis.	Os fusíveis podem ter rebentado, inspecionar e restaurar.
O aparelho não está a funcionar.	Verificar a instalação elétrica.	A tensão de corrente elétrica deve estar entre 220 e 240 V.
O aparelho não está a funcionar.	Verificar a instalação elétrica.	Verificar se outro aparelho na sua cozinha está a funcionar.
A lâmpada de iluminação não funciona	Verificar a instalação elétrica.	A tensão de corrente elétrica deve estar entre 220 e 240 V.
A lâmpada de iluminação não funciona	Verificar o interruptor da lâmpada.	O interruptor da lâmpada deve estar na posição "ligado".
A lâmpada de iluminação não funciona	Inspecionar as lâmpadas.	As lâmpadas do aparelho devem acender.
A entrada de ar do aparelho é inadequada.	Inspecionar o filtro de alumínio.	Em condições normais de funcionamento, o filtro de gordura em alumínio deve ser limpo pelo menos uma vez por mês.
A entrada de ar do aparelho é inadequada.	Verificar a descarga de ar da chaminé.	A descarga de ar da chaminé deve estar na posição "ligado".
A entrada de ar do aparelho é inadequada.	Inspecionar o filtro de carvão.	Nos filtros em que são utilizados filtros de carvão, o filtro de carvão deve ser substituído a cada 3 meses em condições normais.



**Contacte a assistência técnica:
707 014 192 / 215 557 319**

CONDIÇÕES DE GARANTIA - PORTUGAL

Este certificado cobre a garantia de reparação do seu eletrodoméstico da linha branca e pequeno eletrodoméstico (*) durante o período de garantia legal determinado pela legislação em vigor a contar da data de compra, contra defeitos de funcionamento provenientes do fabrico ou dos materiais; ou de substituição do aparelho, a menos que uma dessas opções seja impossível ou desproporcionada em relação à outra. Quando detetar um defeito ou anomalia no aparelho entre imediatamente em contacto connosco para nos informar da não conformidade. Os pequenos eletrodomésticos devem ser entregues na oficina de serviço oficial da marca para a sua revisão.

Esta garantia só será válida se for apresentada a fatura, o recibo de compra, ou a nota de entrega correspondente a aquisição do produto. Esta garantia é válida em território espanhol e português para aparelhos distribuído pela Beko Home Appliances Portugal, Unipessoal, Lda. A garantia só é válida para o primeiro comprador ou adquirente do produto. A garantia será válida para os aparelhos cuja instalação esteja correta e que estejam localizados em condições climáticas e ambientais adequadas para o seu correto funcionamento.

EXCLUSÕES DA GARANTIA

O custo da reparação será pago pelo utilizador nos seguintes casos:

- Aparelhos utilizados para uso profissional ou não exclusivamente doméstico.
- Os equipamentos desmontados ou manuseados por outras pessoas que não os serviços técnicos expressamente autorizados.
- Instalações, transporte, substituição de equipamento, colocação em funcionamento, alteração do sentido das portas.
- Intervenções de manutenção ou informações sobre a utilização dos aparelhos.
- Alteração de injetores em aparelhos a gás.
- As avarias causadas pela falta de manutenção ou limpeza, ou aquelas causadas por um uso inadequado, sobrecarga, abandono ou de uma forma a não respeitar as instruções de uso ou instalação dos aparelhos.
- As avarias provocadas por causas acidentais, sinistros de força maior ou resultantes de instalação inadequada e em geral, avarias por razões não relacionadas com o produto.
- As avarias causadas por ligações que podem apresentar flutuações, irregularidades ou falta de uniformidade no fornecimento, por exemplo: abastecimento de água impulsionado por grupos de pressão, energia solar, energia eólica, geradores de energia elétrica ou outro tipo de fornecimento não-padrão.
- A substituição de materiais quebrados ou danificados por desgaste ou uso não normal do aparelho, ou consumíveis tais como: juntas, plásticos, borracha, correias, vidros, pincéis, lâmpadas, asas, puxadores, tampas de queimadores, filtros, grelhas, ânodos de sacrifício (magnésio ou similares) de aquecedores ou caldeiras, etc.
- Os aparelhos que apresentem oxidação, ou danos por corrosão nos esmaltes ou na pintura, que possam ter sido causados por efeitos químicos ou eletroquímicos da água ou de qualquer outra substância, ou acelerados por circunstâncias ambientais ou climáticas desfavoráveis.
- Defeitos estéticos em serigrafia ou pintura.
- Os danos causados por transporte ou manuseio, colisões, etc.
- Os aparelhos devem ser instalados de forma acessível em caso de reparação, devendo o utilizador assumir os custos necessários para aceder ao aparelho para reparação e substituição.

A presente garantia não afeta os direitos de que o consumidor dispõe conforme o previsto na legislação em vigor. O Serviço Oficial de Assistência Técnica resolverá qualquer incidente que o seu aparelho possa necessitar, desde que o aparelho seja instalado de forma acessível.

As marcas BEKO e GRUNDIG são distribuídas por Beko Home Appliances Portugal, Unipessoal, Lda

DADOS DO APARELHO (a ser preenchido pelo Distribuidor):

Detentor:		Carimbo do estabelecimento:
Modelo:	Nº série:	
Estabelecimento:	Data de compra:	

O fiador e o importador do seu eletrodoméstico é: Beko Home Appliances Portugal, Unipessoal, Lda; Edifício Amoreiras Square; Rua Carlos Alberto da Mota Pinto, nº 17, 3ªA, Amoreiras 1070-313, Lisboa, Portugal.

Conheça-nos melhor na nossa página: www.beko.com Conserve este documento, é importante para si.

(*) São considerados eletrodomésticos da linha branca, os aparelhos de cozinha, limpeza, refrigeração e ventilação de tamanho grande e pequenos eletrodomésticos, os de higiene pessoal, manutenção do lar e preparação de alimentos.

Vă rugăm să citiți mai întâi acest manual de utilizare!

Stimate client,

Vă mulțumim pentru că ați ales acest produs Beko. Sperăm să obțineți cele mai bune rezultate de la aparatul dumneavoastră, care a fost fabricat la o calitate înaltă și cu tehnologie performantă. Din acest motiv, vă rugăm să citiți cu atenție și în întregime acest manual de utilizare și toate celelalte documente însoțitoare înainte de a utiliza aparatul și să le păstrați pentru consultări ulterioare. Dacă transmiteți produsul altei persoane, oferiți-i și manualul de utilizare. Urmați instrucțiunile și acordați atenție tuturor informațiilor și avertismentelor din manualul de utilizare.

Nu uitați că acest manual de utilizare poate fi aplicat și altor modele. Diferențele dintre modele sunt descrise în manual în mod explicit.

Semnificația simbolurilor

Următoarele simboluri sunt utilizate în diverse părți ale acestui manual de utilizare:



Informații importante și sugestii utile cu privire la utilizare.



AVERTISMENT: Avertismente pentru situații periculoase referitoare la siguranța vieții și bunurilor.



Avertisment pentru pericol de incendiu.



Avertisment privind electrocutarea.



Clasă de protecție împotriva electrocutării.



1 Instrucțiuni importante cu privire la siguranță și mediu

1.1 Siguranță generală

Instrucțiuni importante cu privire la siguranță Citiți cu atenție și păstrați-le pentru consultare ulterioară Această secțiune conține instrucțiuni privind siguranța, care vă vor proteja împotriva riscului de incendiu, electrocutare, expunere la scurgeri de microunde, vătămare corporală și pagube materiale. Nerespectarea acestor instrucțiuni atrage anularea garanțiilor acordate.

- Produsele de la Beko sunt conforme standardelor de siguranță aplicabile; din acest motiv, în caz de defecțiune a produsului sau a cablului de alimentare, acestea trebuie reparate sau înlocuite de distribuitor, un centru de service sau un service similar specializat și autorizat, pentru evitarea oricărui pericol. Lucrările de reparații greșite sau efectuate de persoane necalificate pot cauza pericole sau riscuri utilizatorului.
- Acest aparat este destinat pentru a fi utilizat în scop casnic și aplicații similare cum ar fi:
 - Bucătării pentru personalul din magazine, birouri sau alte medii de lucru;
 - Ferme
 - De către clienți în hoteluri, moteluri sau alte medii de tip rezidențial;
 - Medii de tip pensiune.
- Utilizați acest produs doar pentru uzul desemnat, așa cum este descris în acest manual.
- Producătorul nu își asumă răspunderea pentru daunele provocate de instalarea incorectă sau utilizarea greșită a produsului.
- Acest aparat poate fi utilizat de către copii cu vârsta minimă de 8 ani și de către persoanele cu capacități fizice, senzoriale sau mentale reduse sau lipsite de experiență și de cunoștințe, dacă aceștia au fost supravegheați sau instruiți cu privire la utilizarea produsului într-un mod sigur și dacă înțeleg pericolele implicate.
- Copiii nu trebuie să se joace cu aparatul. Operațiunile de curățare și întreținere nu trebuie să

1 Instrucțiuni importante cu privire la siguranță și mediu

fie efectuate de către copii fără supraveghere.

- Distanța minimă dintre suprafețele de susținere pentru vasele de gătit de pe plită și partea cea mai joasă a hotei trebuie să fie de 65 cm.
- Dacă instrucțiunile de instalare a plitei cu gaz specifică distanțe mai mari decât cele de mai sus, se vor respecta instrucțiunile respective.
- Asigurați-vă că tensiunea de alimentare corespunde cu informațiile furnizate pe plăcuța cu date tehnice a produsului.
- Nu utilizați aparatul atunci când cablul de alimentare sau aparatul în sine este avariat.
- Nu strângeți, nu îndoiți și nu frecăți cablul de alimentare de margini tăioase, pentru a preveni avarierea acestuia. Feriți cablul de alimentare de suprafețele fierbinți și focul deschis.
- Utilizați produsul doar cu o priză cu împământare.

AVERTISMENT: Nu conectați produsul la priza de alimentare

înainte de finalizarea instalării.

- Amplasați aparatul astfel încât ștecherul să fie întotdeauna accesibil.
- Nu atingeți lămpile dacă au funcționat mult timp. Vă pot arde mâinile, deoarece vor fi fierbinți.
- Respectați reglementările stabilite de autoritățile competente privind evacuarea aerului rezidual (acest avertisment nu este valabil la utilizarea fără coșul de fum).
- Folosiți produsul după ce ați pus o oală, o tigaie etc. pe plită. În caz contrar, căldura ridicată poate cauza deformări în unele părți ale produsului.
- Opriti plita înainte de a lua oala, tigaia etc. de pe aceasta.
- Nu lăsați ulei fierbinte pe plită. Tigăile cu ulei fierbinte pot provoca auto-combustia.
- Fiți atenți la perdele și huse, deoarece uleiul poate lua foc în timp ce gătiți alimente cum ar fi cartofi prăjiți.
- Filtrul de grăsime trebuie înlocuit cel puțin lunar. Filtrul de carbon

1 Instrucțiuni importante cu privire la siguranță și mediu

trebuie înlocuit cel puțin o dată la 3 luni.

- Produsul trebuie curățat conform manualului de utilizare. În cazul în care curățarea nu a fost efectuată conform manualului de utilizare, există risc de incendiu.
- Nu folosiți materiale de filtrare care nu sunt rezistente la foc, în locul filtrului actual.
- Utilizați doar componentele originale sau componentele recomandate de către producător.
- Nu folosiți produsul fără filtru și nu scoateți filtrele în timp ce produsul funcționează.
- În cazul în care se produce o flacără, opriți alimentarea produsului și aparatele de gătit.
- În cazul în care se produce o flacără, acoperiți flacăra și nu utilizați apă pentru stingere.
- Înainte de fiecare curățare și atunci când produsul nu este folosit, scoateți-l din priză.
- Presiunea negativă în mediu nu trebuie să depășească 4 Pa (4

x 10 bari), în timp ce hota pentru plita electrică și aparatele care funcționează cu un alt tip de energie decât electricitatea funcționează simultan.

- În mediul în care este folosit produsul, evacuarea dispozitivelor care funcționează pe combustibil lichid sau motorină, cum ar fi radiatorul, trebuie să fie complet izolată sau dispozitivul trebuie să fie de tip ermetic.
- La conectarea coșului de evacuare, folosiți țevi cu diametrul de 120 sau 150 mm. Racordul țevelor trebuie să fie cât mai scurt posibil și să aibă cât mai puține coturi.
- Pericol de sufocare! Păstrați materialele de ambalare la loc inaccesibil copiilor.

ATENȚIE: În timpul utilizării cu aparate de gătit, piesele accesibile se pot încinge.

- Evacuarea hotei nu trebuie să fie conectată la canalele de aer care includ alte tipuri de fum.
- Ventilația în cameră poate fi insuficientă atunci când hota

1 Instrucțiuni importante cu privire la siguranță și mediu

pentru plita electrică este folosită simultan cu dispozitive care funcționează cu gaz sau alți combustibili (nu se aplică neapărat în cazul aparatelor care doar evacuează aerul înapoi în cameră).

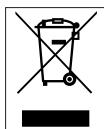
- Obiectele plasate pe produs pot să cadă. Nu amplasați nici un obiect pe aparat.
- Nu flambați alimente sub produs.

AVERTISMENT: Îndepărtați foliile de protecție înainte de a instala hota.

- Nu lăsați niciodată focul deschis la intensitate mare sub hotă când aceasta funcționează.
- Friteuzele trebuie supravegheate permanent în timpul folosirii: uleiul supraîncălzit se poate aprinde.

1.2 Conformitate cu Directiva DEEE și eliminarea deșeurilor:

Acest produs este conform cu Directiva DEEE a UE (2012/19/EU). Acest produs poartă un simbol pentru deșeuri de echipamente electrice (DEEE).



Acest simbol indică faptul că acest produs nu trebuie eliminat împreună cu alte deșeuri menajere la sfârșitul duratei sale de utilizare. Dispozitivul uzat trebuie returnat către un punct

oficial de colectare pentru reciclarea dispozitivelor electrice și electronice. Pentru a găsi aceste siste-

me de colectare contactați autoritățile locale sau distribuitorul de la care a fost achiziționat produsul. Fiecare gospodărie are un rol important în recuperarea și reciclarea electrocasnicelor vechi. Eliminarea corespunzătoare a electrocasnicelor uzate ajută la prevenirea posibilelor consecințe negative pentru mediu și sănătatea umană.

1.3 Conformitatea cu Directiva RoHS

Produsul pe care l-ați achiziționat este conform cu Directiva RoHS UE (2011/65/UE). Produsul nu conține materiale dăunătoare sau interzise specificate în Directivă.

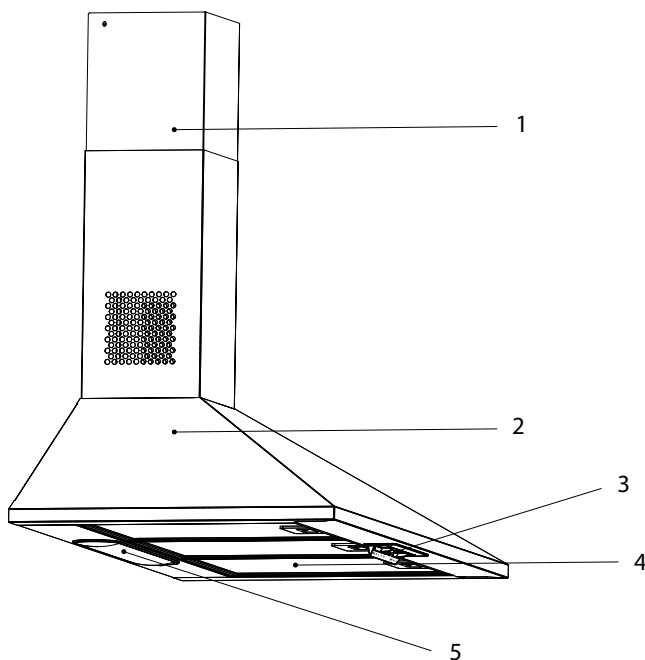
1.4 Informații despre ambalaj



Ambalajul produsului este fabricat din materiale reciclabile, în conformitate cu reglementările naționale de mediu. Nu eliminați ambalajul împreună cu deșeurile menajere sau de alt tip. Transportați-le la punctele de colectare a ambalajelor desemnate de către autoritățile locale.

2 Aspect general

2.1 Prezentare generală




1. Tub de evacuare
2. Corp
3. Panou de control
4. Filtru metalic de ulei
5. Sistem de iluminare

2.2 Date tehnice

Model	HCP61310I HCP61310IH HCP61310W HCP61310B	HCP91310I
Tensiune de alimentare	220-240V ~ 50 Hz	
Putere bec	2x3 W	
Putere motor	90 W	
Flux aer – 3. Nivel	395 m ³ /h	
Clasa de izolație motor	CLASA F	
Clasa de izolație	CLASA II	

3 Utilizarea produsului

3.1 Panou de comandă

		
	0 1 2 3	0 1
* : Lumini	Pentru a opri lampa, setați întrerupătorul lămpii () în poziția „0”. Pentru a porni lampa, setați întrerupătorul lămpii () în poziția „1”.	
 : Motor	Pentru a opri motorul, setați comutatorul motorului () în poziția „0”. Puteți pune în funcțiune motorul cel puțin la nivelul de viteză 1 și cel mult la nivelul de viteză 3, în funcție de intensitatea vaporilor de gătit.	

- Hota extractoare a fost proiectată exclusiv pentru uz domestic, pentru a elimina mirosurile din bucătărie.
- Nu utilizați niciodată hota în alte scopuri decât cele pentru care a fost proiectată.
- Nu lăsați niciodată flăcări deschise înalte sub hotă atunci când aceasta este în funcțiune.
- Ajustați intensitatea flăcării pentru a o direcționa numai spre partea inferioară a tigăii, asigurându-vă că nu învăluie marginile.
- Friteuzele cu grăsimi trebuie monitorizate în mod continuu în timpul utilizării: uleiul supraîncălzit poate izbucni în flăcări.

3.2 Utilizarea eficientă pentru economie de energie

- Când folosiți hota, ajustați setările de viteză conform vaporilor și intensității mirosului, pentru a economisi energie.
- Folosiți viteze mici (1-2) în condiții normale și viteze mari (3) pentru mirosuri intense și vapori.
- Lămpile de pe hotă sunt plasate pentru iluminarea zonei de gătit.
- Folosirea lor pentru lumina ambientală va produce consum de energie inutil și lumină insuficientă.
- Pentru ca aparatul să consume mai puțină energie, utilizați-l la o viteză redusă.
- Aparatul va consuma mai puțină energie, deoarece va funcționa mai eficient atunci când îi asigurați o admisie suficientă de aer.
- Setați aparatul la nivelul de aspirație puternică înainte de formarea aburului, în cazurile în care știți că se va forma mult abur. Așadar, reduceți consumul de energie folosind aparatul pentru o perioadă mai scurtă de timp, deoarece va avea o admisie suficientă de aer.
- Țineți capacele vaselor de gătit închise pentru a reduce degajarea aburului.

3.3 Funcționarea hotei

- Hota dvs. conține un motor care are viteze diferite.
- Pentru o performanță mai bună, vă recomandăm să utilizați viteze reduse în condiții normale și viteze mari în caz de mirosuri puternice și vapori intensi.
- Puteți porni aparatul apăsând butonul de setare a vitezei dorit. (1, 2, 3)
- Puteți ilumina zona de gătit apăsând lampa.

3 Utilizarea produsului

3.4 Înlocuirea becului

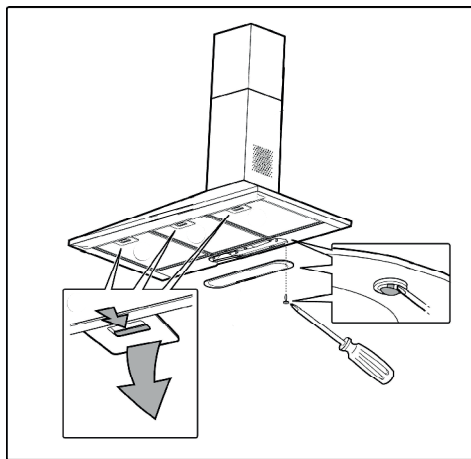



- Înainte de a înlocui becul, deconectați hota de la sursa de alimentare.
- Nu atingeți becurile atunci când sunt fierbinți.
- Aveți grijă să nu atingeți becul înlocuit direct cu mâinile.



Becuri de rezervă găsiți la agenții din service autorizate.

Efectuați conexiunile electrice ale aparatului. Aparatul dumneavoastră este prevăzut cu lămpi LED tip spot de 3 W. Pentru înlocuirea becurilor, apăsați în jos suportul din spate, răsuțiți-l puțin în sensul antiorar și scoateți-l trăgându-l în jos. Aplicați operațiunea de mai sus în sens invers pentru a instala becuri noi.

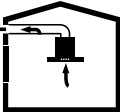


Bec	
Putere bec	3 W
Suport / Priză	E14
Tensiune bec	230 V

Dimensiune	D35x98mm
Cod ILCOS	DRGSB/C/UB-3/27/1B-230-E14-55
Flux de lumină	320 lm
Temperatură de culoare corespunzătoare	2700 K

Acest produs conține o sursă de lumină din clasa de eficiență energetică "E".

3.5 Funcționare cu racordare la burlan

-  Vaporii sunt extrași prin conducta de evacuare, care este fixată pe capul de conectare de pe hotă.
- Diametrul conductei de evacuare trebuie să fie același cu cel al inelului de conectare. În setări orizontale, țeava trebuie să aibă o ușoară pantă ascendentă (aproximativ 10°), astfel încât aerul să poată ieși cu ușurință din cameră.

3.6 Funcționare fără racordare la burlan

-  Aerul este filtrat prin filtrul de carbon și recirculat în cameră. Filtrul de carbon este utilizat atunci când este imposibil de utilizat un burlan în casă.
- În cazul utilizării fără burlan de evacuare, îndepărtați clapetele din interiorul adaptorului pentru conducta de evacuare.
- Scoateți filtrul de grăsimi din aluminiu. Pentru a instala filtrul de carbon, montați filtrul pe clapete centrându-l pe piesa din plastic de pe ambele părți ale corpului ventilatorului. Strângeți-l prin rotirea spre dreapta sau spre stânga.
- Înlocuiți filtrul de grăsimi din aluminiu.

4 Curățare și întreținere

Dispozitivul trebuie curățat și întreținut în mod regulat. Dacă aparatul nu este păstrat curat durata de viață a acestuia va fi afectată negativ. Pentru curățare și întreținere, urmați instrucțiunile specificate în manual.



Înainte de curățare și întreținere, deconectați aparatul, opriți întrerupătorul principal sau slăbiți siguranța care alimentează hota.



Nerespectarea prevederilor legate de curățarea aparatului și înlocuirea filtrelor poate duce la producerea de incendii. Prin urmare, se recomandă să urmați instrucțiunile specificate aici. Producătorul nu este responsabil pentru defecțiunile motorului sau incendiile cauzate de utilizarea necorespunzătoare.

Curățați folosind o cârpă înmuiată în detergent lichid cu pH neutru. Nu curățați folosind ustensile sau instrumente. Nu folosiți produse abrazive. Nu folosiți alcool.

4.1 Curățarea filtrului din aluminiu pentru grăsime

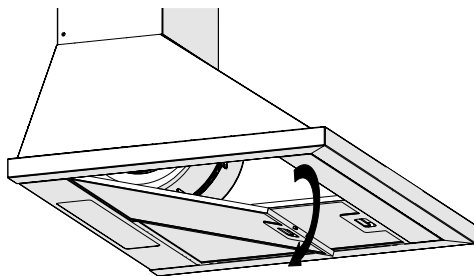
Acest filtru captează particulele de ulei din aer. Se recomandă curățarea filtrului în fiecare lună, în condiții normale de utilizare. În acest scop, mai întâi îndepărtați filtrele de grăsime. Spălați filtrele cu detergent lichid și apoi clătiți-le cu apă, iar după uscare montați-le la loc. Filtrele de aluminiu se pot decolora pe măsură ce sunt spălate; acest lucru este normal și nu necesită înlocuirea filtrului.



Puteți spăla filtrul din aluminiu în mașina de spălat vase



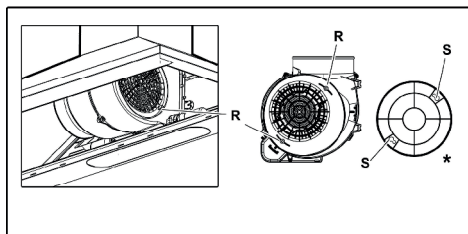
ATENȚIE: În caz de utilizare normală, curățați filtrul o dată pe lună.



- Împingeți înainte blocarea filtrului de ulei din aluminiu.
- Apoi trageți-l ușor în jos și trageți-l afară. În caz contrar, filtrul poate fi îndoit. Spălați și clătiți filtrele de ulei din aluminiu cu detergent lichid și înlocuiți filtrele din aluminiu, efectuând pașii specificați mai sus în ordine inversă. Acest filtru reține particulele de ulei din aer.

4.2 Schimbarea filtrului de carbon

Hota poate fi echipată cu un filtru de carbon activ. Filtrul de carbon se folosește doar în cazul în care hota nu este conectată la conducta de aerisire.



- Îndepărtați filtrele din aluminiu.
- Demontați filtrul rotind butoanele în sensul acelor de ceasornic, de la nivelul S la nivelul R.
- Instalați un filtru nou urmând procedura de mai sus în ordine inversă.
- Montați filtrele din aluminiu.

4 Curățare și întreținere



AVERTISMENT:

- Filtrul de carbon nu trebuie spălat niciodată.
- În orice caz, schimbarea filtrului de carbon se face o dată la trei luni.
- Filtrul de carbon îl puteți găsi în service-urile autorizate.

5 Instalarea hotei



AVERTISMENT : Vă rugăm să citiți instrucțiunile de siguranță înainte de instalare.



AVERTISMENT : Neinstalarea șuruburilor sau a dispozitivului de fixare în conformitate cu aceste instrucțiuni poate cauza pericole electrice.

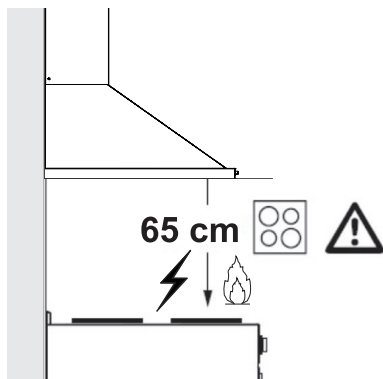


Vă rugăm să consultați pagina 137 pentru ghidul de instalare

Pentru instalarea hotei, vă rugăm să contactați cel mai apropiat serviciu autorizat.

Este responsabilitatea clientului să pregătească locația și instalarea electrică a hotei.

5.1 Poziția aparatului



- Distanța dintre aragaz și hotă trebuie luată în considerare înainte de asamblare. Această distanță trebuie să fie de 65 cm.
- Distanța trebuie măsurată de la suprafața grătarului pentru aragazuri pe gaz, de la suprafața sticlei pentru aragazuri electrice.

5.2 Depozitarea

- Dacă nu doriți să utilizați aparatul pentru o perioadă lungă de timp, depozitați-l cu grijă.
- Asigurați-vă că aparatul este decuplat, că s-a răcit complet și că este perfect uscat.
- Depozitați aparatul într-un loc uscat și rece.
- Nu lăsați aparatul la îndemâna copiilor

5.3 Manevrarea și transportul

- În timpul manevrării și transportului, transportați produsul în ambalajul său original. Ambalajul aparatului îl protejează împotriva deteriorării fizice.
- Nu plasați obiecte grele pe aparat sau pe ambalaj. Aparatul poate fi deteriorat.
- Căderea aparatului îl poate face nefuncțional sau poate provoca daune permanente.

6 Depanarea

Problemă	Cauză	Soluție
Produsul nu funcționează.	Verificați siguranța dvs.	Dacă siguranța dvs. este închisă, deschideți-o.
Produsul nu funcționează.	Verificați conexiunea electrică.	Tensiunea rețelei trebuie să fie între 220 și 240 V.
Produsul nu funcționează.	Verificați conexiunea electrică.	Verificați dacă și celelalte aparate din bucătărie funcționează.
Lampa de iluminare nu funcționează.	Verificați conexiunea electrică.	Tensiunea rețelei trebuie să fie între 220 și 240 V.
Lampa de iluminare nu funcționează.	Verificați comutatorul lămpii.	Comutatorul pentru lampă trebuie să fie în poziția „on” (pornit).
Lampa de iluminare nu funcționează.	Verificați becurile.	Becurile produsului nu trebuie să fie defecte.
Admisia de aer a produsului este slabă.	Verificați filtrul de aluminiu.	În condiții normale de funcționare, filtrul de ulei din aluminiu trebuie curățat cel puțin o dată pe lună.
Admisia de aer a produsului este slabă.	Verificați tubul de evacuare a aerului.	Tubul de evacuare a aerului trebuie să fie în poziția „on” (pornit).
Admisia de aer a produsului este slabă.	Verificați filtrul de carbon.	Pentru produsele cu filtre de carbon, filtrul trebuie schimbat în mod normal la fiecare 3 luni.



CERTIFICAT DE GARANȚIE

Tensiune de alimentare/frecvență: 220-240V~, 50-60Hz
Importator: ARCTIC S.A., Găești, Dâmbovița, str. 13 Decembrie nr. 210, email: office@arctic.ro

TIP: Aragaz Cuptor încorporabil Plită încorporabilă Hotă

Model / Serie:.....

VÂNZĂTOR

Nr. factură:.....Data:

Vânzător (firma, localitatea):

CUMPĂRĂTOR

NumeLocalitatea

Str.Nr.BlocSc.Et.Ap.

Județ TelefonE-mail

S-a efectuat proba de funcționare a aparatului, s-a prezentat modul de folosire, s-au predat instrucțiunile de utilizare și toate accesoriile. Am primit aparatul în perfectă stare de funcționare.

Stimați clienți,

La cumpărare vă recomandăm să solicitați efectuarea probei de funcționare și să verificați existența instrucțiunilor de utilizare și a accesoriilor.

Pentru a putea beneficia de toate avantajele produselor și serviciilor noastre vă rugăm:

- să citiți cu atenție și să respectați recomandările prezentate în "Instrucțiunile de utilizare".

- să păstrați cu grijă acest certificat pentru a-l putea prezenta (împreună cu documentul fiscal de achiziție), personalului SERVICE ARCTIC, la orice sesizare efectuată în perioada de garanție.

Vă mulțumim că ați optat pentru cumpărarea unui produs Beko!

Garanția legală de conformitate

Durata medie de utilizare a produsului este de 10 ani!

Perioada de garanție legală de conformitate este de 2 ani de la livrarea produsului*,

*prin „produs” se înțelege „bun” conform OUG nr. 140/2021¹

Perioada de garanție legală de conformitate pentru conținutul digital sau serviciul digital în cazul bunurilor cu elemente digitale pentru care contractul de vânzare-cumpărare prevede furnizarea continuă de conținut digital sau a serviciului digital pe durată determinată este de:

a) 2 ani de la livrare, respectiv de la livrarea bunului - pentru produse cu durata medie de utilizare de 5 ani (art. 9 (3) din OUG nr. 140/2021);

b) 5 ani de la livrare, respectiv de la livrarea bunului - pentru produse cu durata medie de utilizare mai mare de 5 ani (art. 9 (3) din OUG nr. 140/2021);

c) Pe tot parcursul perioadei de furnizare a conținutului / serviciului digital - pentru furnizare continuă a conținutului / serviciului digital pe o perioadă mai mare de 5 ani (art. 9 (4) din OUG nr. 140/2021).

¹Ordonanță de urgență 140/2021 privind anumite aspecte referitoare la contractele de vânzare de bunuri



Service-ul acestui produs este asigurat de ARCTIC S.A. cu sediul în Găești, Dâmbovița, str. 13 Decembrie nr. 210. • *9010 • www.arctic.ro • www.beko.ro • e-mail: service@arctic.ro
Program Call Center: Luni - Vineri 08:30 - 20:00; Sâmbătă 08:30 - 17:00



Remedii incluse în garanția legală de conformitate conform OUG nr. 140/2021
(vă rugăm să aveți în vedere prevederile de mai jos)

ARCTIC garantează toate drepturile legale prevăzute de OUG nr. 140/2021 în beneficiul consumatorilor cu privire la garanția legală de conformitate. Dispozițiile prezentului certificat de garanție legală de conformitate se completează, în mod corespunzător, cu dispozițiile OUG nr. 140/2021.

În caz de neconformitate, consumatorul are dreptul de a beneficia de aducerea în conformitate a bunurilor, de a beneficia de o reducere proporțională a prețului sau de a obține încetarea contractului, în condițiile legii - art. 11 (1).

Consumatorii pot să opteze pentru o anumită măsură corectivă în cazul în care neconformitatea bunurilor este constatată la scurt timp după livrare, fără a depăși 30 de zile calendaristice - art. 11 (7).

Pentru ca bunurile să fie aduse în conformitate, consumatorul poate opta între reparație și înlocuire, cu excepția cazului în care măsura corectivă aleasă ar fi imposibilă sau, în comparație cu cealaltă măsură corectivă disponibilă, ar impune vânzătorului costuri care ar fi disproporționate, luând în considerare toate circumstanțele (ex. valoarea bunurilor în cazul în care nu ar fi existat neconformitatea, gravitatea neconformității sau dacă măsura corectivă alternativă ar putea fi executată fără vreun inconvenient semnificativ pentru consumator) - art. 11 (2).

Instalarea incorectă a bunurilor (art. 7).

Orice neconformitate cauzată de instalarea incorectă a bunurilor este considerată ca reprezentând o neconformitate a bunurilor, în oricare din următoarele situații:

- a) instalarea face parte din contractul de vânzare și a fost realizată de vânzător sau sub răspunderea vânzătorului;
- b) instalarea, destinată să fie realizată de consumator, a fost realizată de acesta și instalarea incorectă s-a datorat unor deficiențe în instrucțiunile de instalare furnizate de vânzător sau, în cazul bunurilor cu elemente digitale, de către vânzătorul sau furnizorul conținutului digital sau al serviciului digital.

Proba neconformității.

Orice neconformitate care este constatată în termen de un an de la data la care bunurile (inclusiv cele cu elemente digitale) au fost livrate este prezumată a fi existat deja în momentul livrării bunurilor până la proba contrarie sau cu excepția cazului în care această prezumție este incompatibilă cu natura bunurilor sau cu natura neconformității - art. 10 (1).

În cazul bunurilor cu elemente digitale pentru care contractul de vânzare prevede furnizarea continuă de conținut digital sau de servicii digitale pentru o anumită perioadă, sarcina probei cu privire la conformitatea conținutului digital sau a serviciului digital pe parcursul perioadelor de garanție legală îi revine vânzătorului în cazul unei neconformități care este constatată pe parcursul acestei perioade - art. 10 (3).

Remediere prin reparație.

În cazul în care neconformitatea este remediată prin reparație, termenele de garanție legală se prelungesc cu timpul de nefuncționare a bunului, din momentul la care a fost adusă la cunoștința vânzătorului lipsa de conformitate până la predarea efectivă a bunului în stare de utilizare normală către consumator - art. 12 (6).

Remediere prin înlocuire.

În cazul în care neconformitatea este remediată prin înlocuire, pentru bunurile care înlocuiesc bunurile neconforme, termenele legale de garanție pentru produsul înlocuit încep să curgă de la data înlocuirii cu noul produs - art. 12 (7).

Reducerea prețului și încetarea contractului.

Consumatorul are dreptul fie să obțină o reducere proporțională a prețului în conformitate cu legea, fie să obțină încetarea contractului de vânzare în condițiile legii, în oricare dintre următoarele cazuri - art. 11(4):

- a) vânzătorul nu a finalizat reparația sau înlocuirea sau, după caz, nu a finalizat reparația sau înlocuirea potrivit prevederilor legii sau vânzătorul a refuzat să aducă în conformitate bunurile potrivit prevederilor legii;
- b) se constată o neconformitate, în pofida eforturilor vânzătorului de a o remedia;
- c) neconformitatea este de o asemenea gravitate încât justifică o reducere de preț sau dreptul la încetarea imediată a contractului de vânzare;
- d) vânzătorul a declarat că nu va aduce bunurile în conformitate într-un termen rezonabil sau fără inconveniente semnificative pentru consumator ori acest lucru reiese clar din circumstanțele cazului.

Consumatorul are dreptul de a suspenda plata unei părți restante din prețul bunurilor sau a unei părți a acesteia până în momentul în care vânzătorul își va fi îndeplinit obligațiile care îi revin în temeiul legii - art. 11(6). Reducerea de preț este proporțională cu diminuarea valorii bunurilor primite de consumator în comparație cu valoarea pe care bunurile ar avea-o dacă ar fi în conformitate - art.13.

Încetarea contractului:

- a) nu poate fi solicitată dacă vânzătorul dovedește că neconformitatea este minoră;
- b) poate fi solicitată pentru totalitatea bunurilor achiziționate și livrate, deși motivul de încetare vizează doar anumite bunuri, în cazul în care consumatorul nu i se poate pretinde în mod rezonabil să accepte să păstreze numai bunurile conforme;
- c) determină obligația consumatorului de a returna vânzătorului bunurile, pe cheltuiala vânzătorului;
- d) determină obligația vânzătorului de a rambursa consumatorului prețul plătit pentru bunuri la primirea bunurilor sau a unei dovezii prezentate de consumator că bunurile au fost returnate; vânzătorul va folosi aceleași modalități de plată ca și cele folosite de consumator pentru tranzacția inițială, cu excepția cazului în care consumatorul a fost de acord cu o altă modalitate de plată și cu condiția de a nu cădea în sarcina consumatorului plata de comisioane în urma rambursării.

Garanția legală pentru viciu ascuns este aplicabilă în condițiile legii, conform OG nr. 21/1992 (reviziu 2) privind protecția consumatorului, OUG nr. 140/2021 și Codului Civil. Viciul ascuns reprezintă deficiența calitativă a unui produs livrat sau a unui serviciu prestat care nu a fost cunoscută și nici nu putea fi cunoscută de către consumator prin mijloacele obișnuite de verificare.



Service-ul acestui produs este asigurat de ARCTIC S.A. cu sediul în Găești, Dâmbovița, str.13 Decembrie nr. 210. • *9010 • www.arctic.ro • www.beko.ro • e-mail: service@arctic.ro
Program Call Center: Luni - Vineri 08:30 - 20:00; Sâmbătă 08:30 - 17:00

UNITĂȚILE SERVICE ALE ARCTIC S.A. EXECUTĂ REPARAȚII ÎN TERMENUL DE GARANȚIE ȘI ÎN AFARA ACESTUIA

Nr. crt.	Data Reclamației	Data primirii în reparație	Reparat			Efectuarea verificării
			Programat	Data ridicării aparatului	Cauza întârzierii	
						Reparația curentă și/sau componenta înlocuită
						Prelungirea termenului de garanție
						SERVICE
						CLIENT

CONDIȚII SUPPLEMENTARE DE GARANȚIE LEGALĂ DE CONFORMITATE:

Pentru orice defecțiune aparută în perioada de garanție legală, apelați la vânzător (respectiv, prin magazinul de unde a fost achiziționat produsul sau direct prin Call Center Arctic). Prelungirea termenului de garanție se va înscrive în certificatul de garanție de către unitatea SERVICE care a efectuat reparația. Garanția acoperă repararea și/sau înlocuirea pieselor constatate ca neconforme în sensul OUG nr. 140/2021. (necauzate de consumator) de către tehnicienii Service Arctic.

Termenul de realizare a operațiilor de reparare, înlocuire sau întreprinere este de 15 zile calendaristice de la data la care cumpărătorul a sesizat lipsa de conformitate către vânzător (respectiv, prin magazinul de unde a achiziționat produsul sau direct prin Call Center Arctic).

Reparațiile / înlocuirile se efectuează cu respectarea următoarelor condiții - art. 12(1)-(5) din OUG nr. 140/2021:

- fără costuri și fără vreun inconvenient semnificativ pentru consumator, înmând seama de natura bunurilor și de scopul pentru care consumatorul a solicitat bunurile în cauză;
- consumatorul pune bunurile la dispoziția vânzătorului, iar vânzătorul preia bunurile înlocuite pe propria cheltuială;
- obligăția de a rapara sau înlocui bunurile include, după caz, demontarea bunurilor neconforme și instalarea bunurilor de înlocuire sau a bunurilor reparate sau suportarea costurilor aferente demontării și instalării;
- consumatorul nu este obligat să plătească pentru utilizarea normală a bunurilor înlocuite în perioada care a precedat înlocuirea acestora.

Reclamațiile referitoare la aspectele prevăzute mai jos, se rezolvă numai contra cost:

- piesele și accesoriile care prezintă lovituri, zgârieturi, spărturi sau deformări din vina exclusivă a consumatorului.

PRODUSUL NU BENEFICIAZĂ DE GARANȚIE LEGALĂ DE CONFORMITATE ÎN URMĂTOARELE CAZURI:

- Nu au fost respectate instrucțiunile de transport, manipulare, instalare, utilizare și întreținere prescrite.
- Subansamblurile și accesoriile casabile care se deteriorează în timpul transportului vor fi înlocuite de vânzător (în cazul în care transportul e asigurat de vânzător sau sub responsabilitatea acestuia).
- Garanția nu se acordă subsansamblelor și accesoriilor casabile ale produselor care suferă deteriorări din vina exclusivă a consumatorului.
- Tensiunea de alimentare are valori care nu se încadrează în limitele prevăzute de standarde (SR EN 50160).
- Instalația electrică a utilizatorului prezintă improvizații sau neconformități.
- Produsul a fost folosit în alte scopuri decât cel pentru care a fost proiectat.
- Produsul a suportat intervenții (reparații, modificări) din partea unor persoane neautorizate de producător.

Drepturile consumatorului sunt cele prevăzute în OUG nr. 140/2021 și OG 21/1992 (republicată).

În cadrul acestui proces, Arctic vă prelucrează date cu caracter personal, cu respectarea legilor aplicabile privind confidențialitatea și protecția datelor. Pentru informații complete despre modul în care vă prelucreăm datele, precum și despre drepturile dumneavoastră, vă rugăm să consultați secțiunea "Protecția datelor personale"; accesând site-ul nostru la adresa <https://www.beko.ro/>.

Моля, първо прочетете ръководството за употреба!

Уважаеми клиенти,

Благодарим Ви, че избрахте този уред на Веко. Надяваме се да получите отлични резултати от нашия уред, произведен от висококачествени материали по най-модерна технология. Затова, преди да преминете към употребата на уреда, Ви молим първо да прочетете цялото ръководство за употреба, както и другата придружителна документация и да ги запазите за справка в бъдеще. Ако уредът смени собственика си в бъдеще, то предайте и ръководството за употреба заедно с уреда. Следвайте указанията, като обръщате внимание на цялата информация и предупреждения в инструкцията за употреба.

Не забравяйте, че това ръководство за употреба може да се отнася за няколко различни модела. Разликите между моделите са описани подробно в ръководството.

Значение на символите

В различните раздели на ръководството са използвани следните символи:



Важна информация и полезни съвети при употреба.



ПРЕДУПРЕЖДЕНИЕ: Предупреждения срещу опасни ситуации относно здравето и собствеността.



Предупреждение за опасност от пожар.



Предупреждение за опасност от токов удар.



Защитен клас за токов удар.



1 Важни инструкции за безопасност и опазване на околната среда

1.1 Обща безопасност

Важни инструкции за безопасност Прочетете внимателно и ги запазете за бъдеща справка Този раздел съдържа инструкции за безопасност, които ще ви помогнат да се защитите от риск от пожар, електрически удар, излагане на утечка от микровълнова енергия; нараняване или повреди на собствеността. Неспазването на инструкциите прави всяка гаранция невалидна.

- Продуктите Веко съответстват на приложимите стандарти за безопасност; ето защо, в случай на повреда по уреда или хранящия кабел, той трябва да бъде ремонтиран или сменен от дилър, сервизен център или специалист и оторизиран сервиз с цел избягване

на всякакви опасности. Погрешен или неквалифициран ремонт може да доведе до опасност и риск за потребителя.

- Уредът е предназначен за битова употреба и подобни приложения като:
 - Кухненски зони за персонала в магазини, офиси и други работни среди;
 - Фермерски къщи
 - От клиенти в хотели и други видове жилищни среди,
 - Места за нощувка със закуска.
- Използвайте уреда само по предназначение, както е описано в това ръководство.
- Производителят не носи отговорност за повреди в резултат на неправилен монтаж или неправилна употреба на продукта.

1 Важни инструкции за безопасност и опазване на околната среда

- Този уред може да бъде използван от деца над 8 години и лица с ограничени физически, сензорни или умствени способности или такива, без необходимия опит и познания, ако същите са надзиравани или инструктирани относно употребата на уреда по безопасен начин и са наясно със свързаните рискове.
 - На децата не трябва да се позволява да играят с уреда. Почистването и поддръжката на уреда не трябва да се извършват от деца без надзора на възрастен.
 - Минималното разстояние между носещата повърхност за готварските съдове на котлоните и долната част на Вашия продукт трябва да бъде най-малко 65 см.
 - Ако инструкциите за монтаж на газовия котлон посочват по-голямо разстояние, това трябва да бъде взето под внимание.
 - Проверете дали данните за вашето местно електрозахранване отговарят на информацията върху табелката с данни.
 - Никога не използвайте уреда, ако захранващият кабел или самия уред е повреден.
 - За да избегнете риска от повреда на захранващия кабел, внимавайте да не го притискате, огъвате или търкате в остри ръбове. Дръжте захранващия кабел далеч от нагорещени повърхности и открит пламък.
 - Използвайте уреда само със заземени контакти.
- ПРЕДУПРЕЖДЕНИЕ:** Не свързвайте уреда към електрическата мрежа

1 Важни инструкции за безопасност и опазване на околната среда

докато монтажът не е напълно приключил.

- Разположете уреда по такъв начин, че щепселът винаги да е достъпен.
- Не пипайте лампите ако са работили дълго време. Тъй като са горещи, могат да Ви изгорят ръцете.
- Следвайте наредбите, определени от компетентните органи относно освобождаването на отработения въздух (това предупреждение не се прилага при употреба без вентилационна тръба).
- Работете с Вашия уред след като поставите тенджерата, тиган и т.н. на котлона. В противен случай, топлината може да предизвика деформиране на някои части на Вашия продукт.
- Изключете котлона

преди да отстраните тенджерата, тигана и т.н. от него.

- Не оставяйте гореща мазнина на котлона. Тигани с гореща мазнина могат да предизвикат самозапалване.
- Внимавайте с Вашите пердета и покривки, тъй като мазнината може да се възпламени докато приготвяте храна като пържени картофи.
- Филтърът за мазнини трябва да бъде подменян поне веднъж месечно. Филтърът с активен въглен трябва да бъде подменян поне един път на 3 месеца.
- Продуктът трябва да се почиства според инструкциите в ръководството за употреба. Ако почистването не е извършено според инструкциите в ръководството за употреба,

1 Важни инструкции за безопасност и опазване на околната среда

- може да съществува риск от пожар.
- Не използвайте неогнеупорни филтърни материали вместо настоящия филтър.
- Използвайте само оригинални части или такива, препоръчани от производителя.
- Не работете с продукта без филтъра и не отстранявайте филтрите, докато продуктът работи.
- В случай на поява на някакъв пламък, прекъснете захранването на Вашия продукт и на другите готварски уреди.
- В случай на поява на някакъв пламък, покрийте пламъка и никога не използвайте вода, за да го загасите.
- Изключвайте уреда преди всяко почистване и когато не го използвате.
- Отрицателното налягане в околната среда не трябва да превишава 4 Па (4 x 10 бара) докато абсорбаторът за електрически котлон и други уреди работят заедно, захранвани от друг вид енергия, освен електричество.
- В околната среда, където се използва абсорбатора, отработеният въздух от устройствата, захранвани с газ или течно гориво, като например стайна печка, трябва да бъде напълно изолиран или устройството да бъде от херметически изолиран вид.
- Когато свързвате към вентилацията, използвайте тръби с диаметър 120 или 150 мм. Тръбната връзка трябва да бъде възможно най-къса и да има възможно най-малък брой чупки.

1 Важни инструкции за безопасност и опазване на околната среда

Има опасност от задушаване! Дръжте опаковъчните материали далеч от достъпа на деца.

ВНИМАНИЕ: Достъпните части могат да се нагорещат ако се използват заедно с уред за готвене.

- Изходът на продукта не трябва да е свързан с въздухопроводи, в които се извежда друг дим.
- Вентилацията в стаята трябва да бъде оскъдна, когато абсорбаторът за електрически котлон се използва едновременно с устройства, работещи на газ или други горива (това би могло да не се прилага за уреди, които само освобождават въздуха обратно в стаята).
- Поставените върху продукта предмети може да паднат. Не поставяйте никакви предмети върху уреда.
- не фламбирайте под

Вашия уред.

ПРЕДУПРЕЖДЕНИЕ: Преди да монтирате абсорбатора отстранете защитното фолио.

- Не оставяйте висок пламък да гори под абсорбатора когато е включен
- Съдовете в които се пържи с много мазнина трябва да бъдат постоянно следени при употреба: прегрялото олио може да се възпламени.

1.2 Съответствие с директивата WEEE и Изхвърляне на отпадъчните продукти:

Уредът съответства на европейската директива WEEE. (2012/19/EU). Този продукт притежава класификационен символ за отпадъчно електрическо и електронно оборудване (WEEE).



Този символ указва, че продуктът не бива да се изхвърля с други битови отпадъци в края на експлоатационния си живот. Използваното устройство трябва да бъде върнато в официален пункт за събиране и рециклиране на електрически и електронни устройства. За да откриете тези пунктове за събиране, моля обърнете се към местния орган или търговецът, от

1 Важни инструкции за безопасност и опазване на околната среда

който е закупен продуктът. Всяко домакинство играе важна роля във възстановяването и рециклирането на стар уред. Правилното изхвърляне на използвани уреди спомага за предотвратяването на потенциални негативни последици върху околната среда и човешкото здраве.

1.3 Съответствие с Директива RoHS

Закупеният от вас продукт съответства на европейската директива RoHS (2011/65/EU). Не съдържа вредни и забранени материали. Директива.

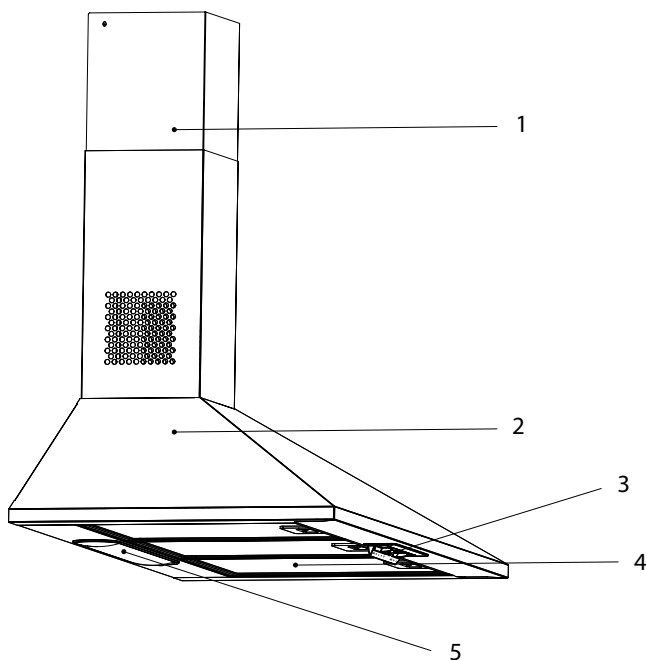
1.4 Информация за опаковката



Опаковъчните материали на продукта са, са произведени от рециклируеми материали в съответствие с нашите Национални наредби за околната среда. Не изхвърляйте опаковъчните материали заедно с битовите и други отпадъци. Отнесете ги в пунктове за събиране на опаковъчни материали, посочени от местните власти.

2 Общ Външен Вид

2.1 Преглед






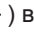
1. Димоотвод
2. Тяло
3. Панел за управление
4. Метален маслен филтър
5. Осветление за готвене

2.2 Технически данни

Модел	HCP61310I HCP61310IH HCP61310W HCP61310B	HCP91310I
Захранващо напрежение	220-240V ~ 50 Hz	
Мощност на лампата	2x3 W	
Мощност на двигателя	90 W	
Въздушен поток - 3. Нив	395 m ³ /h	
Клас на изолация на електродвигателя	КЛАС F	
Клас на изолация	КЛАС II	

3 Използване на Уреда

3.1 Контролен панел

		
	0 1 2 3	0 1
* : Осветление	За да изключите лампата, поставете превключвателя на лампата (*) в положение "0". За да включите лампата, поставете превключвателя на лампата (*) в положение "1".	
 : Мотор	За да изключите двигателя, настройте превключвателя на двигателя () в положение "0". Можете да стартирате двигателя на минимум при ниво на скорост 1 и максимум при ниво на скорост 3 в зависимост от интензивността на парите за готвене.	

- Аспираторът е предназначен изключително за домашна употреба за премахане на миризмите в кухнята.
- Никога не използвайте аспираторът за цели, различни от тези за които е проектиран.
- Никога не оставяйте висок открит пламък под аспиратора, когато работи.
- Регулирайте интензитета на пламъка, за да го насочите само към дъното на тигана, като внимавате да не погълне страните.
- Фритюрниците с дълбока мазнина трябва да се наблюдават непрекъснато по време на употреба: прегрятото масло може да избухне в пламъци.

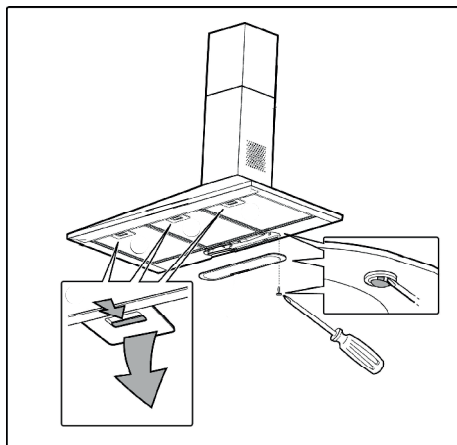
3.2 Енергоефективна Работа в Условието на Икономия Употреба

- Когато използвате вашия уред, регулирайте настройките на скоростта според силата на изпарения и миризма, за да спестите енергия.
- Използвайте ниски скорости (1-2) при нормални условия и високи скорости (3) за интензивна миризма и пара.
- Лампите на аспиратора са поставени за осветяване на зоната за готвене.
- Използването им за осветление на околната среда ще доведе до ненужни разходи на енергия и недостатъчно осветление.
- За да може устройството Ви да консумира по-малко енергия, работете на ниска скорост.
- Вашето устройство ще намали консумацията на енергия, тъй като ще работи по-ефективно, когато му осигурите достатъчен приток на въздух.
- Настройте устройството на ниво на интензивно всмукване преди формирането на пара, в случаите, когато знаете, че ще се появи интензивна пара. По този начин намалявате потреблението на енергия, като използвате устройството за по-кратко време, тъй като то ще има достатъчен приток на въздух.
- Дръжте капците на готварските съдове затворени, за да намалите отделянето на пара.

3 Използване на Уреда

3.3 Инструкции за експлоатация

- Вашият уред съдържа мотор с различни скорости.
- За по-добри показатели препоръчваме да използвате ниски скорости при нормални условия и високи скорости в случаи на силни миризми и интензивни пари.
- Можете да стартирате вашия уред, като натиснете бутона за настройка на желаната скорост. (1, 2, 3)
- Можете да осветите зоната за готвене, като натиснете лампата.



3.4 Подмяна на лампата



- Преди да смените електрическите крушки, изключете захранването на аспиратора.
- Не докосвайте крушките, когато са горещи.
- Внимавайте да не докосвате подменената крушка директно с ръце.



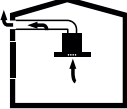
Можете да закупите лампи от Оторизирани Сервизни Агенти.

Направете електрическите връзки на уреда. Вашият уред е оборудван с 3 W точкова LED лампа. За да смените халогенните лампи, натиснете надолу държача на лампата отзад, завъртете го малко по посока обратна на часовниковата стрелка и го извадете надолу. Приложете горната процес в обратен ред, за да инсталирате нови лампи.

Крушка	
Мощност на Крушката	3 W
Държач / Фасунга	E14
Напрежение на Крушката	230 V
Размер	D35x98mm
ILCOS Код	DRGSB/C/UB-3/27/1B-230-E14-55
Светлинен поток	320 lm
Корелирана цветна температура	2700 K

Този продукт съдържа източник на светлина с клас на енергийна ефективност "E".

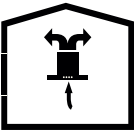
3.5 Управление чрез Димоотводна Връзка

-  Парата се извлича през димоотвода, който се закрепва към свързващата глава на аспиратора.

3 Използване на Уреда

- Диаметърът на димоотвода трябва да е същият като свързващото ядро. При хоризонтални настройки тръбата трябва да има лек наклон нагоре (около 10 °), така че въздухът да излиза лесно от помещението.
- ползва, когато е невъзможно да се използва димоотвод в къщата.
- При употреба без димоотвод извадете капците от димоотводния адаптер.
- Извадете масления филтър. За да инсталирате въглеродния филтър, поставете филтъра върху разделите, като го центрирате върху пластмасовото парче от двете страни на тялото на вентилатора, затегнете го, като завъртите надясно или наляво.

3.6 Управление без Димоотводна Връзка

-  Въздухът се филтрира през въглеродния филтър и се рециркулира в помещението. Въглеродният филтър се из-

- Сменете алуминиевия маслен филтър.

4 Почистване и поддръжка

Устройството трябва да бъде почиствано и поддържано редовно. Ако не поддържате устройството чисто, това ще се отрази неблагоприятно на експлоатационния му живот. За почистване и поддръжка следвайте инструкциите, посочени в ръководството.



Преди почистване и поддръжка изключете уреда или изключете главния изключвател или разхлабете предпазителя, който захранва аспиратора.



Неспазването на правилата, свързани с почистването на устройството и смяната на филтрите, може да доведе до риск от пожар. Следователно е препоръчително да следвате посочените в този документ указания. Производителят не носи отговорност за повреди на мотора или пожари, възникнали в резултат на неправилна употреба.

Почиствайте само с кърпа, навлажнена с неутрален течен препарат. Не почиствайте с инструменти. Не използвайте абразивни продукти. Не употребявайте алкохол

4.1 Почистване на алуминий Филтър за мазнини

Този филтър улавя маслени частици във въздуха. Препоръчва се да по-

4 Почистване и поддръжка

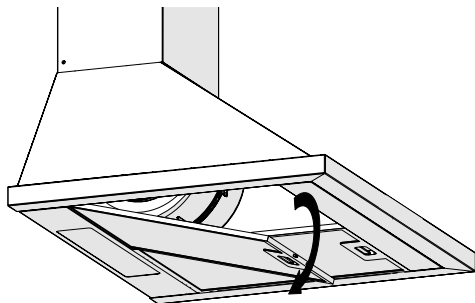
чиствате филтъра си всеки месец при нормални условия на употреба. Първо премахнете филтрите за мазнини за този процес. Измийте филтрите с течен препарат, изплакнете ги с вода и ги поставете обратно, след като изсъхнат. Алуминиевите филтри за мазнини могат да бъдат обезцветени при измиването им; това е нормално и няма нужда да сменяте филтъра си.



Можете също да измивате алуминиевите маслени филтри в пералнята.



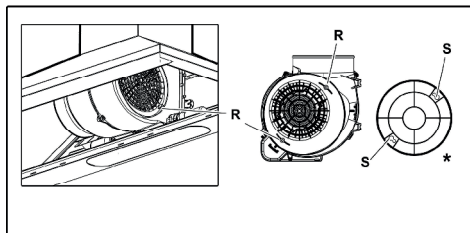
ВНИМАНИЕ: В случай на нормална употреба, почиствайте алуминиевите маслени филтри веднъж месечно.



- Избутайте ключалката на алуминиевия филтър напред.
- След това го издърпайте леко надолу и го издърпайте. В противен случай можете да огънете филтъра. Измийте и изплакнете алуминиевите маслени филтри с течен препарат и заменете алуминиевите маслени филтри в техните гнезда, като извършите посочените по-горе стъпки в обратен ред. Този филтър задържа маслените частици във въздуха.

4.2 Смяна на въглероден филтър

Аспираторът може да бъде снабден с въглероден филтър. Въглеродният филтър се прилага само в случай, че аспираторът не е свързан към вентилационния канал.



- Отстранете алуминиевите маслени филтри.
- Отстранете филтъра, като завъртите щифтовете от ниво S на ниво R по посока на часовниковата стрелка.
- Поставете новия филтър, като приложите горната процедура в обратен ред.
- Поставете алуминиевите филтри.



ВНИМАНИЕ

- Карбоновият филтър никога не трябва да се мие.
- Сменяйте въглеродните филтри веднъж на всеки 3 месеца.
- Можете да закупите въглеродния филтър от оторизирани търговци.

5 Настройка на устройството



ВНИМАНИЕ: Преди да започнете монтажа, прочетете информацията за безопасност в Ръководството за потребителя.



ВНИМАНИЕ: Ако не инсталирате винтовете или фиксиращото устройство в съответствие с тези инструкции, това може да доведе до опасност свързана с електричеството.

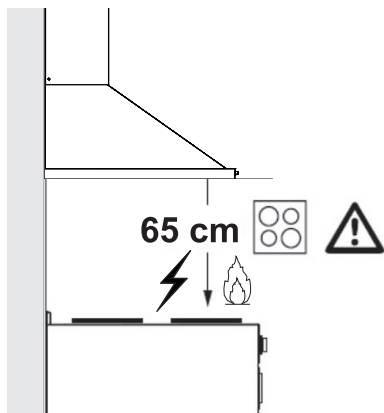


Моля, вижте страница 137 от ръководството за инсталиране

За монтажа на аспиратора се свържете с най-близкия оторизиран сервиз.

Отговорност на клиента е да подготви местоположението и електрическата инсталация на аспиратора.

5.1 Положение на Уреда



- Преди монтажа трябва да се вземе предвид разстоянието между печката и аспиратора. Това разстояние трябва да бъде 65 см.

- При газови печки, разстоянието трябва да бъде измерено от повърхността на решетката, И от повърхността на стъклото за електрически печки.

5.2 Съхранение

- Ако не възнамерявате да използвате уреда за продължителен период от време, моля съхранете го внимателно.
- Моля, уверете се, че уредът е изключен от контакта, охладен и напълно сух.
- Съхранявайте уреда на хладно и сухо място.
- Дръжте уреда далеч от деца.

5.3 Манипулиране и транспортиране

- По време на работа и транспортиране носете уреда в оригиналната му опаковка. Опаковката на уреда го предпазва от физически повреди.
- Не поставяйте тежки товари върху уреда или опаковката. Уредът може да се повреди.
- Изпускането на уреда ще го направи неработещо или ще причини трайни повреди.

6 Отстраняване на неизправности

Отстраняване на неизправности	Причина	Помощ
Продуктът не работи.	Проверете предпазителя.	Възможно е предпазителят ви да е затворен, направете така че да работи.
Продуктът не работи.	Проверете електрическата връзка.	Главното напрежение трябва да бъде между 220-240 V.
Продуктът не работи.	Проверете електрическата връзка.	Проверете дали другите продукти във Вашата кухня работят или не.
Лампата за осветление не работи.	Проверете електрическата връзка.	Главното напрежение трябва да бъде между 220-240 V.
Лампата за осветление не работи.	Проверете превключвателя на лампата.	Превключвателят на лампата трябва да е в положение "включено".
Лампата за осветление не работи.	Проверете лампите.	Лампите на продукта не трябва да бъдат повредени.
Всмукването на въздух на продукта е лошо.	Проверете алуминиевия филтър.	Масленият филтър от алуминий трябва да се почиства поне веднъж месечно при нормални условия.
Всмукването на въздух на продукта е лошо.	Проверете димоотвода.	Димоотводът трябва да бъде във "включено" положение.
Всмукването на въздух на продукта е лошо.	Проверете въглеродния филтър.	При продукти с въглеродни филтри филтърът обикновено трябва да се сменя на всеки 3 месеца.

Nejprve si přečtěte tento návod k použití!

Vážený zákazníku,

Děkujeme, že jste si vybrali tento produkt značky Beko. Doufáme, že s tímto spotřebičem, který byl vyroben s využitím vysoce kvalitní a moderní technologie, dosáhnete těch nejlepších výsledků. Z tohoto důvodu si před použitím spotřebiče pečlivě přečtěte celý návod k použití a jakékoli doplňující dokumenty a uchovejte je pro budoucí použití. Pokud spotřebič předáte další osobě, rovněž jí předejte návod k použití. Dodržujte pokyny a věnujte pozornost všem informacím a varováním uvedeným v návodu k použití.

Nezapomeňte, že se tento návod může vztahovat i k několika jiným modelům. Rozdíly mezi modely jsou v návodu výslovně popsány.

Význam symbolů

V různých částech tohoto návodu k použití jsou použity následující symboly:



Důležité informace a užitečné tipy k použití.



VAROVÁNÍ: Upozornění na nebezpečné situace týkající se ohrožení života a majetku.



Varování před nebezpečím požáru.



Varování před úrazem elektrickým proudem.



Třída ochrany před zásahem elektrickým proudem.



1 Důležité pokyny z hlediska bezpečnosti a životního prostředí

1.1 Obecné bezpečnostní pokyny

Důležité bezpečnostní pokyny, přečtěte si je pozorně a uchovejte pro pozdější použití

Tento oddíl obsahuje bezpečnostní pokyny, které vám pomohou ochránit před vznikem požáru, zásahem elektrickým proudem, následky unikající mikrovlnné energie, zraněním osob nebo poškozením majetku. Nedodržení těchto pokynů zruší platnost záruky.

- Výrobky značky Beko splňují platné bezpečnostní normy; proto v případě jakéhokoli poškození spotřebiče nebo napájecího kabelu musí být provedena oprava nebo výměna prodejcem, servisním centrem nebo odborníkem z autorizovaného servisu, aby se předešlo nebezpečí. Chybná nebo neodborná oprava může být nebezpečná pro uživatele.
- Toto zařízení je určeno pouze pro domácí a podobné použití, například:

- v prostorách kuchyňského personálu v obchodech, kancelářích a dalších pracovních prostředích;
 - na farmách;
 - klienty v hotelech a dalších typech obytného prostředí;
 - v prostředí typu Bed and Breakfast.
- Spotřebič používejte pouze k určenému účelu, jak je popsáno v tomto návodu.
 - Výrobce nenes odpovědnost za žádné škody plynoucí z nesprávné instalace či nevhodného způsobu použití spotřebiče.
 - Tento spotřebič mohou používat děti starší 8 let a osoby s omezenými tělesnými, smyslovými nebo mentálními schopnostmi anebo osoby bez příslušných znalostí a zkušeností, pokud jsou pod dozorem nebo byly poučeny o bezpečném užívání tohoto přístroje a chápou související nebezpečí.
 - Děti si se spotřebičem nesmí hrát. Čištění a údržba nesmí být

1 Důležité pokyny z hlediska bezpečnosti a životního prostředí

prováděny dětmi bez dohledu dospělé osoby.

- Minimální vzdálenost mezi nosnými plochami varných nádob na varné desce a nejnižší stranou výrobku musí být nejméně 65 cm.
- Pokud v návodu k instalaci plynové desky najdete větší vzdálenost, je nutno postupovat podle toho.
- Zkontrolujte, zda vaše napájení odpovídá informacím uvedeným na štítku spotřebiče.
- Nikdy nepoužívejte spotřebič, pokud je poškozen napájecí kabel nebo spotřebič.
- Předejděte poškození napájecího kabelu zabráněním jeho zmáčknutí, ohnutí nebo odírání o ostré hrany. Napájecí kabel udržujte mimo horké povrchy a otevřený oheň.
- Spotřebič zapojte pouze do uzemněné zásuvky.

VAROVÁNÍ: Nezapojte spotřebič do sítě, dokud není instalace zcela dokončena.

- Spotřebič umístěte tak, aby byla zástrčka vždy přístupná.
- Nedotýkejte se žárovek, pokud jsou v provozu delší dobu. Mohou spálit ruce, protože budou horké.
- Dodržujte předpisy stanovené příslušnými úřady o vypouštění odpadního vzduchu (toto upozornění se nevztahuje na použití bez kouřovodu).
- Spusťte spotřebič po umístění hrnce, pánve apod. na varnou desku. V opačném případě může vysoká teplota způsobit deformaci některých částí výrobku.
- Před sejmutím hrnce, pánve apod. vypněte varnou desku.
- Nenechávejte na varné desce horký olej. Nádoby s horkým olejem mohou způsobit samovznícení.
- Dávejte pozor na záclony a závěsy, protože olej se může při smažení některých potravin, jako jsou hranolky, vznítit.
- Tukový filtr musí být vyměněn nejméně jednou měsíčně. Uhlíkový filtr musí být vyměněn nej-

1 Důležité pokyny z hlediska bezpečnosti a životního prostředí

méně každé 3 měsíce.

- Spotřebič musí být čištěn v souladu s návodem k použití. Pokud čištění nebylo provedeno v souladu s návodem k použití, může hrozit nebezpečí požáru.
- Namísto stávajícího filtru nepoužívejte filtrační materiály neodolné proti ohni.
- Používejte pouze originální části doporučené výrobcem.
- Neprovazujte spotřebič bez filtru a neodstraňujte filtry, když je spotřebič spuštěn.
- V případě, že dojde k zapálení plamene, vypněte napájení spotřebiče a vařičů.
- V případě, že dojde k zapálení plamene, plamen zakryjte a nikdy k jeho hašení nepoužívejte vodu.
- Spotřebič odpojte před každým čištěním a v případě, že jej nepoužíváte.
- Podtlak v místnosti nesmí překročit 4 Pa (4 x 10 bar), zatímco digestoř pro elektrickou varnou desku a spotřebiče pracující na

jiném typu energie, než je elektřina, pracují současně.

- V prostředí, kde je spotřebič používán, musí být odvětrávání zařízení běžících na topném oleji nebo plynu, jako je teplovzdušný ventilátor, naprosto izolováno nebo zařízení musí být hermetického typu.
- Při připojování kouřovodu použijte trubky o průměru 120 nebo 150 mm. Připojení trubek musí být co nejkratší a mít co nejméně záhybů.

Riziko zadušení! Všechny obaly uchovejte mimo dosah dětí.

UPOZORNĚNÍ: Přístupné součástky se mohou zahřát při použití s vařiči.

- Vývod spotřebiče nesmí být připojen ke vzduchovodům, do kterých je vyveden jiný kouř.
- Ventilace v místnosti může být nedostatečná, pokud je digestoř pro elektrickou varnou desku používána současně se zařízeními na plyn nebo jiná paliva (to neplatí pro spotřebiče, které vypouštějí vzduch zpět do místnosti).

1 Důležité pokyny z hlediska bezpečnosti a životního prostředí

- Předměty umístěné na spotřebiči mohou spadnout. Na spotřebič neumísťujte žádné předměty.
- Pod spotřebičem nikdy neřezávejte.

VAROVÁNÍ: Před instalací digestoře odstraňte ochranné fólie.

- Nikdy nenechávejte obnažený plamen pod digestoří, která je zapnutá.
- Pánve na smažení je nutno během používání stále sledovat: přehřátý olej může vzplanout.

1.2 Shoda se směrnicí OEEZ a likvidace výrobku:

Tento výrobek splňuje požadavky směrnice EU OEEZ (2012/19/EU). Tento výrobek je označen symbolem pro třídění elektrického a elektronického odpadu (OEEZ).



Tento symbol znamená, že příslušný výrobek na konci jeho životnosti nesmí být likvidován spolu s jiným domácím odpadem. Použité zařízení musíte odnést do oficiální sběrně pro recyklaci elektrických a elektronických zařízení. Obratě se na místní úřady nebo na prodejce, u kterého jste si zařízení zakoupili, a informujte se o umístění sběrných zařízení. Každá domácnost hraje důležitou roli ve sběru a recyklaci starých zařízení.

Správná likvidace starého zařízení pomáhá předejít možným negativním následkům pro životní prostředí a lidské zdraví.

1.3 Dodržování směrnice RoHS

Výrobek, který jste zakoupili, splňuje požadavky směrnice EU RoHS (2011/65/EU). Neobsahuje škodlivé ani zakázané materiály specifikované ve směrnici.

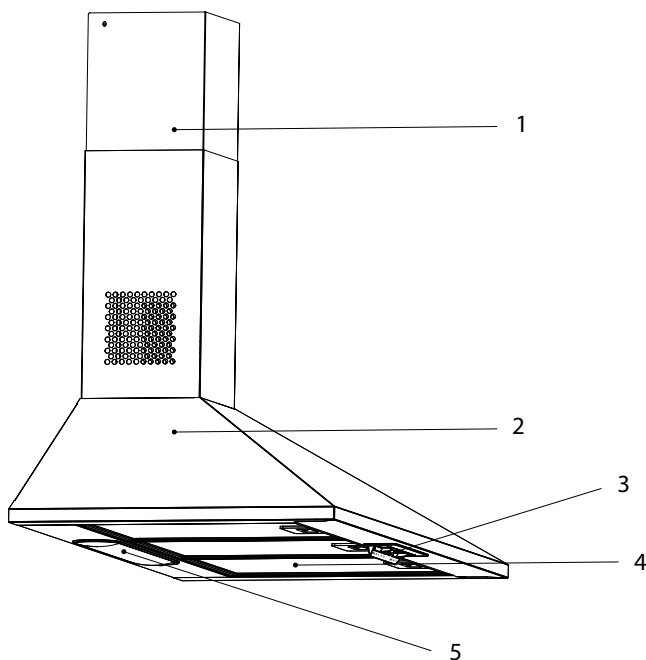
1.4 Informace o balení



Obalové materiály produktu jsou vyrobeny z recyklovatelných materiálů v souladu s naší národní legislativou na ochranu životního prostředí. Obalové materiály nelikvidujte společně s domácím nebo jiným druhem odpadu. Odveďte je na sběrné místo obalových materiálů určené místními úřady.

2 Celkový vzhled

2.1 Přehled





1. Kuřovod
2. Tělo
3. Ovládací panel
4. Kovový olejový filtr
5. Osvětlení oblasti vaření

2.2 Technické údaje

Model	HCP61310I HCP61310IH HCP61310W HCP61310B	HCP91310I
Napájecí napětí	220-240V ~ 50 Hz	
Napájení světla	2x3 W	
výkon motoru	90 W	
Air Flow – 3. Úroveň	395 m ³ /h	
Třída izolace motoru	TŘÍDA F	
Izolační třída	TŘÍDA II	

3 Používání spotřebiče

3.1 Ovládací panel

		
	0 1 2 3	0 1
* : Osvětlení	Chcete-li lampu vypnout, přepněte spínač lampy (*) do polohy "0". Chcete-li lampu zapnout, přepněte spínač lampy (*) do polohy "1".	
☘ : Motor	Chcete-li motor vypnout, nastavte spínač motoru (☘) do polohy "0". Motor můžete spustit minimálně při rychlosti 1 a maximálně při rychlosti 3 v závislosti na intenzitě páry z vaření.	

- Odsavač par byl navržen výlučně pro použití v domácnosti, pro eliminování zápachu v kuchyni.
- Nikdy nepoužívejte odsavač par pro jiné účely, než na který byl navržen.
- Když je digestoř v provozu, nikdy nenechávejte pod digestoří vysoké plameny.
- Intenzitu plamene nastavte tak, aby směřovala pouze na spodní část pánve a ujistěte se, že nesaáh na boky.
- Fritézy s obsahem tuku se během používání nepřetržitě monitorovat: přehřátý olej může vzplanout.

3.2 Energeticky účinný provoz z hlediska úspory Použití

- Při používání spotřebiče upravte nastavení rychlosti podle intenzity páry a zápachu, abyste ušetřili energii.
- Za normálních podmínek používejte nízké rychlosti (1–2) a vysokou rychlost (3) používejte pro intenzivní zápach a páry.
- Žárovky jsou na digestoři umístěny za účelem osvětlení oblasti vaření.
- Jejich používání na osvětlení většího prostoru povede ke zbytečné spotřebě energie a k nedostatečnému osvětlení.
- Chcete-li, aby zařízení spotřebovalo méně energie, spouštějte jej při nízkých otáčkách.
- Vaše zařízení sníží spotřebu energie, protože bude pracovat efektivněji, když mu zabezpečíte dostatečný přívod vzduchu.
- V případech, kdy víte, že dojde k vytvoření husté páry, nastavte zařízení na úroveň intenzivního sacího výkonu před vznikem páry. Spotřebu energie tak snížíte tím, že zařízení budete používat kratší dobu, protože bude mít dostatečný přívod vzduchu.
- Poklice nádobí nechte zakryté, abyste snížili vývoj páry.

3.3 Pokyny k použití

- Váš spotřebič má motor, který pracuje různými rychlostmi.
- Pro dosažení lepší výkonnosti doporučujeme za normálních podmínek používat nízké rychlosti a vysoké rychlosti používat v případě silných zápachů a intenzivních par.
- Spotřebič můžete zapnout stisknutím tlačítka požadované rychlosti. (1, 2, 3)
- Oblast vaření osvětlíte stisknutím tlačítka osvětlení.

3 Používání spotřebiče

3.4 Výměna lampy

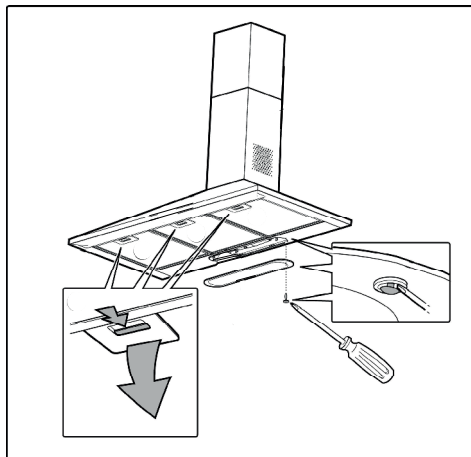



- Před výměnou žárovek odpojte napájení odsavače par.
- Nedotýkejte se žárovek, když jsou horké.
- Dávejte pozor, abyste nahrazené žárovky nedotýkaly přímo rukama.



Lampy si můžete pořídit u autorizovaných servisních zástupců.

Připojte spotřebič k elektrické síti. Váš spotřebič je vybaven a 3 W bodovými LED žárovkami. Při výměně žárovek zatlačte na držák směrem dozadu, otočte jím proti směru hodinových ručiček a vyjměte jej směrem dolů. Použijte výše uvedený postup obráceně a vložte nové žárovky.

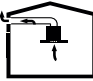


Žárovka	
Příkon žárovky	3 W
Držák/objímka	E14
Napětí žárovky	230 V
Velikost	D35x98mm


Kód ILCOS	DRGSB/C/UB-3/27/1B-230-E14-55
Světelný tok	320 lm
Související teplota barvy	2700 K

Tento výrobek obsahuje světelný zdroj třídy energetické účinnosti "E".

3.5 Používání s připojením ke kouřovodu

-  Pára je odsávána potrubím kouřovodu, které je upevněno k připojovací hlavě na digestoři.
- Průměr potrubí kouřovodu musí být stejný jako u připojovacího prstence. Při vodorovném nastavení musí mít potrubí mírný sklon směrem nahoru (kolem 10°), aby mohl vzduch snadněji odcházet z místnosti.

3.6 Používání bez připojení ke kouřovodu

-  Vzduch se filtruje přes uhlíkový filtr a recirkuluje v místnosti. Uhlíkový filtr se používá, když není v domě možné použít kouřovod.
- Při použití bez kouřovodu vyjměte klapky uvnitř adaptéru kouřovodu.
- Vyjměte olejový filtr. Chcete-li nainstalovat uhlíkový filtr, nasadte filtr na příchytky vystředěním na plastový díl na obou stranách tělesa ventilátoru. Utáhněte jej otáčením doprava nebo doleva.
- Vyměňte hliníkový olejový filtr.

4 Čištění a údržba

Zařízení by se mělo pravidelně čistit a udržovat. Pokud nebudete zařízení udržovat v čistotě, bude to mít negativní vliv na životnost zařízení. Při čištění a údržbě postupujte podle pokynů uvedených v příručce.



Před čištěním a údržbou odpojte spotřebič ze sítě nebo vypněte hlavní vypínač nebo uvolněte pojistku, která napájí odsavač par.



Nedodržení ustanovení týkajících se čištění zařízení a výměny filtrů může mít za následek riziko požáru. Proto se doporučuje dodržovat zde uvedené pokyny. Výrobce neodpovídá za poškození motoru nebo za požárý vzniklé v důsledku nesprávného používání.

Čistěte pouze pomocí hadříku navlhčeného v neutrálním tekutém čisticím prostředku. Nečistěte pomocí přístrojů nebo nástrojů. Nepoužívejte abrazivní produkty. Nepoužívejte alkohol

4.1 Čištění hliníkového tukového filtru

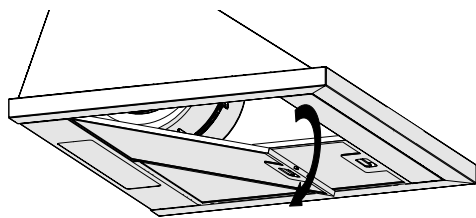
Tento filtr zachycuje ze vzduchu částice oleje. Za normálních podmínek použití doporučujeme vyčistit filtr každý měsíc. Nejdříve pro tento proces odstraňte tukový filtr. Filtry omyjte tekutým čisticím prostředkem, opláchněte je vodou a po uschnutí je znovu vložte. Hliníkové tukové filtry mohou při mytí vyblednout; je to normální a nemusíte měnit filtr.



Hliníkový filtr lze mýt v myčce nádobí



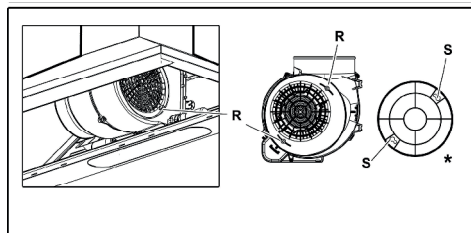
UPOZORNĚNÍ: V případě běžného používání hliníkový olejový filtr vyčistěte jednou za měsíc.



- Zatláče zámek hliníkového olejového filtru dopředu.
- Potom jej lehce táhněte dolů a vytáhněte ven. Jinak se může filtr ohnout. Hliníkové olejové filtry omyjte a opláchněte tekutým čisticím prostředkem a vraťte hliníkové filtry do jejich lůžek provedením výše uvedených kroků v opačném pořadí. Tento filtr zadržuje částice oleje ve vzduchu.

4.2 Výměna uhlíkového filtru

Digestoř může být vybaven filtrem s aktivním uhlím. Uhlíkový filtr se aplikuje pouze v případě, že není odsavač připojen k větracímu kanálu.



- Vyměňte hliníkové filtry.
- Vyměňte filtr otočením kolíků z úrovně S na úroveň R ve směru hodinových ručiček.
- Nainstalujte nový filtr provedením výše uvedeného postupu v opačném pořadí.
- Nainstalujte hliníkové filtry.

UPOZORNĚNÍ:

- Uhlíkový filtr se nikdy nemyje.
- V každém případě je nutné uhlíkový filtr vyměnit nejméně každé tři měsíce.
- Uhlíkový filtr je k dispozici v Autorizovaných servisech.



5 Nastavení zařízení



UPOZORNĚNÍ : Před nastavením si přečtěte bezpečnostní pokyny.



UPOZORNĚNÍ : Nezastavěných šroubů nebo upevňovacího zařízení v souladu s těmito pokyny může vést k úrazu elektrickým proudem.

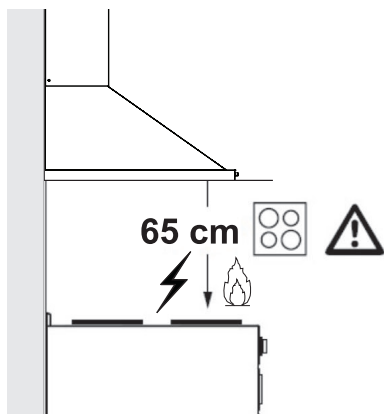


Instalační příručku najdete na straně 137.

Chcete-li si nechat digestoř nainstalovat, obraťte se na nejbližší autorizovaný servis.

Za přípravu místa a elektrickou instalaci pro digestoř odpovídá zákazník.

5.1 Umístění spotřebiče



- Před instalací je nutno zvážit vzdálenost mezi sporákem a digestoří. Tato vzdálenost by měla být 65 cm.
- U plynových sporáků se vzdálenost musí měřit od povrchu roštu, u elektrických sporáků od povrchu skla.

5.2 Skladování

- Pokud nechcete přístroj používat delší dobu, patřně ho uložte.
- Ujistěte se, že je trouba odpojena od elektrické

sítě, vychlazená a zcela suchá.

- Spotřebič skladujte na chladném a suchém místě.
- Držte přístroj mimo dosah dětí.

5.3 Zacházení a přeprava

- Během manipulace a přepravy uchovávejte přístroj v původním obalu. Balení chrání spotřebič před fyzickým poškozením.
- Na zařízení ani na obal nepokládejte těžká břemena. Může dojít k poškození spotřebiče.
- Pád přístroje může způsobit jeho nefunkčnost nebo trvalé poškození.

6 Řešení problémů

Řešení problémů	Důvod	Pomoc
Produkt nefunguje.	Zkontrolujte pojistky.	Vaše pojistka může být vybitá, zprovozněte ji.
Produkt nefunguje.	Zkontrolujte elektrické připojení.	Síťové napětí má být mezi 220-240 V.
Produkt nefunguje.	Zkontrolujte elektrické připojení.	Zkontrolujte, zda fungují ostatní výrobky v kuchyni.
Lampa osvětlení nefunguje.	Zkontrolujte elektrické připojení.	Síťové napětí má být mezi 220-240 V.
Lampa osvětlení nefunguje.	Zkontrolujte spínač lampy.	Spínač lampy musí být v poloze "zapnuto".
Lampa osvětlení nefunguje.	Zkontrolujte lampu.	Lampy produktu nesmí být vadné.
Přívod vzduchu do výrobku je slabý.	Zkontrolujte hliníkový filtr.	Hliníkový filtr na olej za obvyklého používání je třeba vyčistit alespoň jednou za měsíc.
Přívod vzduchu do výrobku je slabý.	Zkontrolujte kryt vzduchovodu.	Vzduchovod musí být v poloze "zapnuto".
Přívod vzduchu do výrobku je slabý.	Zkontrolujte uhlíkový filtr.	U výrobků s uhlíkovými filtry filtr obvykle vyměňujete každé 3 měsíce.

Најпре прочитајте овај приручник!

Поштовани купци,

Захваљујемо вам што сте одабрали производ компаније Веко. Желимо да постигнете оптималну ефикасност овог висококвалитетног производа који је произведен уз примену врхунске технологије. Обавезно прочитајте и схватите у потпуности овај приручник и додатну документацију пре употребе, и исти чувати за накнадне референце. Не одвајајте овај приручник од јединице ако желите да је предате неком другом лицу. Придржавајте се свих упозорења и информација датих овде и следите упутства.

Имајте на уму да се овај кориснички приручник може примењивати на неколико модела производа. Приручник јасно указује на све варијације код различитих модела.

Симболи и њихова значења

Симболи наведени у наставку су употребљени у овом приручнику:



Важне информације и препоруке у вези с коришћењем уређаја.



ОПРЕЗ: Упозорења на личне повреде или оштећење имовине.



Упозорење за електрични удар.



Опасност од пожара.



Класа заштите од струјног удара.



1 Важна упутства у вези са безбедношћу и заштитом животне средине

1.1 Општа безбедност

Важна упутства у вези са безбедношћу пажљиво прочитајте и сачувајте их за будућу употребу. Овај одељак садржи упутства у вези са безбедношћу која ће вам помоћи у заштити од опасности од пожара, струјног удара, изложености цурењу микроталасне енергије, личних повреда или оштећења имовине. Непоштовање ових упутстава поништава одобрену гаранцију.

- Веко производи су у складу са важећим безбедносним стандардима; према томе, у случају било каквих оштећења на уређају или каблу за напајање, исте треба да поправи или замени продавач, сервисни центар или стручно лице и овлашћени сервис како

би се избегла било каква опасност. Неисправни или неквалификовани радови на поправци могу бити опасни и могу довести до опасности за корисника.

- Овај апарат је намењен за употребу у домаћинствима и сличним објектима као што су:
 - кухиње за запослене у продавницама, канцеларијама и другим радним окружењима;
 - куће на фармама;
 - од стране клијената у хотелима и осталим стамбеним окружењима;
 - објекти који нуде ноћење и доручак.
- Управљајте уређајем према предвиђеној намени само како је описано у овом упутству.
- Произвођач не може

1 Важна упутства у вези са безбедношћу и заштитом животне средине

бити одговоран за штету насталу непрописном уградњом или злоупотребом производа.

- Овај уређај могу да користе деца која имају 8 и више година, особе са непотпуно развијеним телесним, чулним или менталним способностима, као и особе које немају довољно потребног искуства и знања све док су под надзором или им се дају упутства у погледу безбедне употребе уређаја и док схватају ризике који су обухваћени употребом производа.
- Деца не смеју да се играју уређајем. Чишћење и корисничко одржавање не смеју да обављају деца без надзора.
- Минимална удаљеност између носеће површине посуда за

кување на плочи за кување и најнижег дела вашег производа мора бити најмање 65 цм.

- Ако је упутствима за уградњу плинске плоче дефинисана већа удаљеност, то се мора узети у обзир.
- Ваше мрежно напајање струјом мора бити у складу са информацијама на плочици на уређају.
- Никада не користите уређај ако је кабл за напајање или сам уређај оштећен.
- Спречите оштећење кабла за напајање тако што га нећете стискати, савијати или трљати по оштрим ивицама. Држите кабл за напајање даље од врућих површина и извора пламена.
- Уређај користите само са уземљеном утичницом.

1 Важна упутства у вези са безбедношћу и заштитом животне средине

УПОЗОРЕЊЕ: Не прикључујте уређај на напајање пре потпуне уградње уређаја.

- Поставите уређај на начин да утикач буде увек доступан.
- Не дирајте лампице ако су дуго радиле. Могу вам створити опекотине на рукама јер ће бити загрејане.
- Придржавајте се прописа који су утврдили надлежни органи о испусту издувног ваздуха (ово упозорење није применљиво за употребу без димњака).
- Укључите уређај након што ставите лонац, таву итд. на плочу за кување. У супротном, велика топлота може проузроковати деформације у неким деловима вашег производа.
- Искључите плочу пре

него што са ње склоните лонац, таву итд.

- Не остављајте вруће уље на плочи за кување. Посуде са врућим уљем могу изазвати само-сагоревање.
- Обратите пажњу на завесе и прекриваче, јер се уље може запалити док спремате храну као што је помфрит.
- Филтер за масноће треба чистити најмање једном месечно. Карбонски филтер се мора заменити најмање једном у свака 3 месеца.
- Производ се чисти у складу са упутством за коришћење. Ако чишћење није извршено у складу с упутствима за коришћење, може доћи до опасности од пожара.
- Не користите материјале за филтрирање који нису отпорни на ватру уместо тренутног филтера.

1 Важна упутства у вези са безбедношћу и заштитом животне средине

- Користите само оригиналне делове или делове које је препоручио произвођач.
 - Не користите производ без филтера и не уклањајте филтере док је производ у функцији.
 - У случају појаве пламена, искључите ваш производ и уређаје за кување са напајања електричном енергијом.
 - У случају појаве пламена, прекријте пламен и никада не користите воду за гашење.
 - Искључите уређај са напајања пре сваког чишћења и када уређај не користите.
 - Негативни притисак у околини не би требало да пређе 4 Pa (4 x 10 бара) док истовремено раде аспиратор за електричну плочу и уређаји који раде на другој врсти енергије а не на струју.
 - У окружењу у којем се користи уређај, испусни отвор уређаја који раде на лож-гориво или плин, као што су собна грејна тела, мора бити апсолутно изолован или уређај треба да буде херметичног типа.
 - При повезивању одводне цеви користите цеви пречника 120 или 150 mm. Прикључак цеви мора бити што краћи и имати што је могуће мање преламања.
- Опасност од гушења!** Амбалажу држите ван дохвата деце.
- ОПРЕЗ:** Приступачни делови се могу загријати када се користе са уређајима за кување.
- Излазни отвор производа не сме бити повезан са ваздушним каналима који спроводе

1 Важна упутства у вези са безбедношћу и заштитом животне средине

другу врсту дима.

- Вентилација у просторији може бити недовољна када се аспиратор за електричну плочу користи истовремено са уређајима који раде на плин или друга горива (ово можда није применљиво на уређаје који само доводе ваздух у просторију).
- Предмети стављени на производ могу пасти. Не стављајте никакве предмете на производ.
- Не фламбирајте храну испод производа.

УПОЗОРЕЊЕ: Пре уградње аспиратора уклоните заштитне фолије.

- Никада не остављајте високо отворен пламен испод аспиратора док је исти у функцији
- Фритезе са дубоким уљем морају се непрестано надгледати

током употребе: прегрејано уље може да плане.

1.2 Усаглашеност са WEEE директивом и одлагање отпада:

Овај производ је усаглашен са WEEE директивом Европске уније (2012/19/EU). Овај уређај поседује симбол класификације за отпад електричне и електронске опреме (WEEE).

Овај симбол означава да се овај производ не сме одлагати заједно с осталим отпадом из домаћинства на крају његовог радног века. Коришћени уређај мора се вратити на службено сабирно место за рециклирање електричних и електронских уређаја. Да бисте пронашли ове сабирне системе, обратите се локалним надлежним телима или продавцу где је производ купљен. Свако домаћинство има важну улогу у опораци и рециклажи старих уређаја. Одговарајуће одлагање искоришћеног уређаја помаже у спречавању потенцијалних негативних последица по животну средину и здравље људи.

1.3 Усклађеност са директивом RoHS

Производ који сте купили у сагласности је са RoHS директивом Европске уније (2011/65/EU). Он не садржи штетне и забрањене материјале наведене у Директиви.

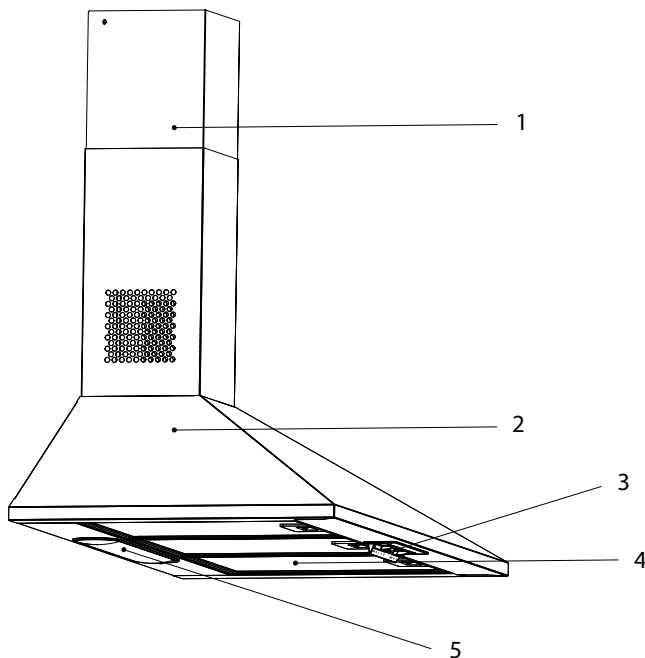
1.4 Информације о паковању



Амбалажни материјали овог производа су направљени од материјала који могу да се рециклирају у складу са националним прописима о заштити животне средине. Амбалажне материјале не одлагати заједно са отпадом из домаћинства или другим отпадом. Однесите их на места за прикупљање амбалажног материјала одређена од стране локалних надлежних тела.

2 Општи изглед

2.1 Приказ







1. Димовод
2. Кућиште
3. Контролна табла
4. Алуминијски филтери за масноћу
5. Осветлење шпорета

2.2 Технички подаци

Модел	HCP61310I HCP61310IH HCP61310W HCP61310B	HCP91310I
Напон	220-240V ~ 50 Hz	
Снага лампице	2x3 W	
Снага мотора	90 W	
Проток ваздуха – 3. Ниво	395 m ³ /h	
Класа изолације мотора	КЛАСА F	
Класа изолације	КЛАСА II	

3 Коришћење уређаја

3.1 Контролна табла

		
	0 1 2 3	0 1
* : Осветљење	Да бисте искључили лампицу, подесите прекидач лампице (*) у положај "0". Да бисте укључили лампицу, поставите прекидач лампице (*) у положај "1".	
 : Мотор	Да бисте искључили мотор, поставите прекидач мотора () у положај "0". Мотор можете покретати минимално при нивоу брзине 1, а максимално при нивоу брзине 3, у зависности од интензитета паре настале услед спремања хране.	

- Аспиратор је дизајниран искључиво за кућну употребу како би се уклонили кухињски мириси.
- Никада не користите аспиратор у друге сврхе осим за оне за које је дизајниран.
- Никада не остављајте високо отворен пламен испод аспиратора док је исти у функцији.
- Подесите интензитет пламена да га усмерите само на дно посуде пазећи да не захвати бочне стране.
- Фритезе са дубоким уљем морају се непрестано надгледати током употребе: прегрејано уље може да плане.

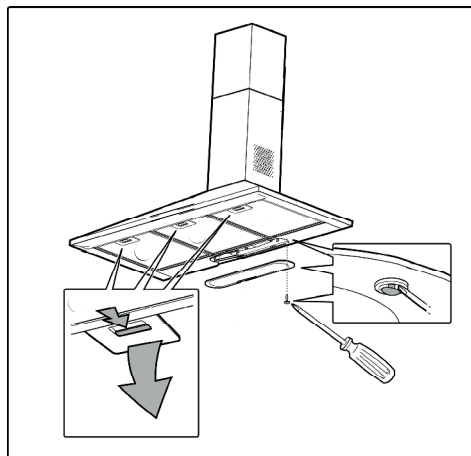
3.2 Ефикасна употреба у сврху уштеде енергије

- Кад користите уређај, подесите поставке брзине према интензитету паре и мириса, да бисте уштедели енергију.
- Користите ниске брзине (1-2) у нормалним условима, а велике брзине (3) за интензиван мирис и испаравање.
- Лампице на аспиратору су постављене за осветљавање подручја кувања.
- Њихова употреба за осветљење околног простора узроковаће непотребне трошкове енергије и недовољно осветљење.
- Да би ваш уређај трошио мање енергије, покрените га при малој брзини.
- Ваш уређај ће смањити потрошњу енергије јер ће радити ефикасније када му обезбедите довољан unos vazduha.
- Подесите уређај на интензивну снагу usisavanja пре стварања паре, у случајевима када знате да ће доћи до густе паре. Дакле, смањујете потрошњу енергије тако што ћете свој уређај користити краће време јер ће имати довољан unos vazduha.
- Држите poklopce posuda затвореним да бисте смањили стварање паре.

3 Коришћење уређаја

3.3 Рад аспиратора

- Ваш уређај има мотор с различитим брзинама.
- За бољи учинак препоручујемо употребу ниских брзина у нормалним условима и велике брзине у случају јаких мириса и интензивне паре.
- Уређај можете покренути притиском на типку за подешавање жељене брзине. (1, 2, 3)
- Подручје за кување можете осветлити притиском на лампицу.



3.4 Замена лампице




- Пре замене сијалица, искључите напајање аспиратора.
- Не дирајте сијалице када су вруће.
- Пазите да директно не додирнете замењену сијалицу рукама.



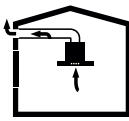
Лампице можете набавити од агената овлашћених сервиса.

Прикључите уређај на мрежу напајања електричном енергијом. Ваш уређај је опремљен директном ЛЕД лампицом од 3 W. Да бисте заменили лампице, гурните држач са задње стране одоздо према доле, окрените га у смеру супротном од казаљке на сату и извадите га према доле. Примените наведену операцију обрнутим поступком да бисте уградили нове лампице.

Сијалица	
Снага сијалице	3 W
Држач/утичница	E14
Напон сијалице	230 V
Величина	D35x98mm
ILCOS код	DRGSB/C/UB-3/27/1B-230-E14-55
Svetlosni tok	320 lm
Odgovarajuća temperatura boje	2700 K

Ovaj proizvod sadrži izvor svetla klase energetske efikasnosti E.

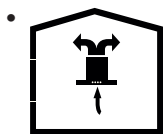
3.5 Рад са прикључком на димњак

-  Пара се одводи кроз димоводни канал, који је причвршћен на прикључну главу на аспиратору.
- Промер димоводног канала мора бити исти као и прикључни прстен.

3 Коришћење уређаја

У хоризонталним поставкама цев мора имати благи нагиб према горе (око 10°) да би ваздух могао лако изаћи из просторије.

3.6 Рад без прикључка на димњак



Ваздух се филтрира кроз карбонски филтер и рециркулира у просторији. Карбонски филтер се користи када

није могуће користити димовод у кући.

- У случају употребе без димовода, уклоните заклопке унутар адаптера за димовод.
- Уклоните алуминијски филтер за масноће. Да бисте уградили карбонски филтер, филтер наместите на језичке тако што ћете га центрирати на пластични комад с обе стране кућишта вентилатора. Затегните га окретањем удесно или улево.
- Замените алуминијски филтер за масноћу.

4 Чишћење и одржавање

Уређај треба редовно čistiti и одржавати. Ако уређај не одржавате čistим, то ће негативно утицати на радни век уређаја. Што се тиче чишћења и одржавања, пратите упутства наведена у приручнику.



Пре чишћења и одржавања, искључите уређај са напајања или искључите главни прекидач или отпустите осигурач који напаја аспиратор.



Непоштовање одредби везаних за чишћење уређаја и замену филтера може довести до опасности од пожара. Због тога се препоручује да се придржавате овде наведених смерница. Произвођач није одговоран за оштећења мотора или пожаре који настају услед неправилне употребе.

Очистите само крпом навлаженом неутралним течним детерџентом. Не чистите алатима нити инструментима.

Не користите абразивне производе. Не користите алкохол.

4.1 Чишћење алуминијумског филтера за масноће

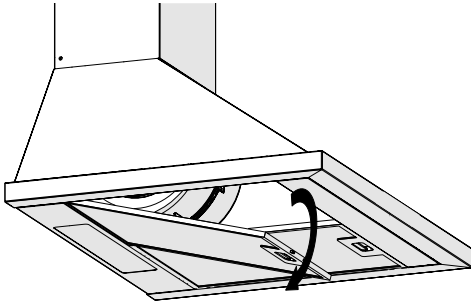
Овај филтер сакупља честице уља у ваздуху. Препоручује се чишћење вашег филтера сваког месеца при нормалним условима коришћења. Прије овог поступка уклоните филтере за масноће. Оперите филтере течним детерџентом и исперите их водом и вратите натраг након што се осуше. Алуминијумски филтери за масноће могу променити боју током прања; ово је нормално и не морате да мењате филтер.



Алуминијски филтери за масноћу можете опрати у машини за прање судова.



ОПРЕЗ: У случају нормалне употребе, очистите филтер једном месечно.



- Гурните браву алуминијског филтера за масноћу према напред.
- Затим је лагано повуците према доле и извучите је. У супротном можете савити филтер. Оперите и исперите алуминијски филтер за масноћу течним детерџентом и вратите алуминијски филтер за масноћу на његово место тако што ћете извести горе наведене кораке обрнутим редоследом. Овај филтер сакупља честице масноће у ваздуху.

- Уклоните филтер окретањем иглица од нивоа С до нивоа Р у смеру казаљке на сату.
- Уградите нови филтер применом горњег поступка обрнутим редоследом.
- Уградите алуминијске филтере.

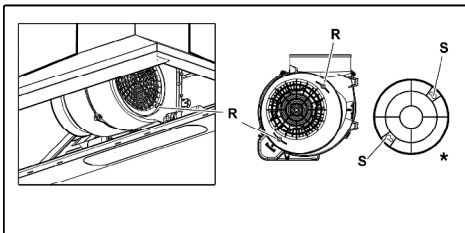
ОПРЕЗ



- Карбонски филтер се никада не пере.
- Замените карбонске филтере једном свака 3 месеца.
- Карбонски филтер можете набавити код овлашћених сервиса.

4.2 Промена карбонског филтера

Аспиратор се може опремити карбонским филтером. Карбонски филтер се примењује само у случају када аспиратор није повезан са каналом за одвод ваздуха.



- Уклоните алуминијске филтре за масноћу.

5 Подешавање уређаја



УПОЗОРЕЊЕ: Пре започињања уградње прочитајте безбедносне информације у корисничком приручнику.



УПОЗОРЕЊЕ: Ако не поставите шrafoве или уређај за причвршћивање у складу с овим упутствима, може доћи до опасности од електричне енергије.

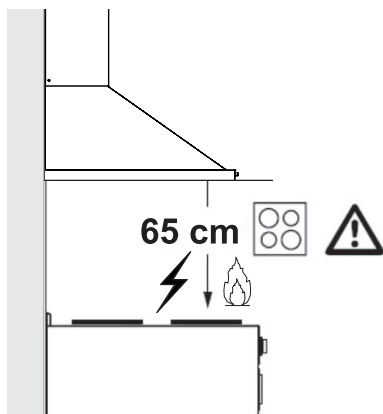


Погледајте на страници 137 инструкције за уградњу

За уградњу аспиратора обратите се најближем овлашћеном сервису.

Корисник је одговоран да припреми локацију и електричну инсталацију за аспиратор.

5.1 Положај уређаја



- Пре монтирања мора се узети у обзир удаљеност између штедњака и аспиратора. Та удаљеност треба да буде 65 cm.
- Удаљеност се мора мерити од

површине решетке за плинске штедњаке, од површине стакла за електричне штедњаке.

5.2 Чuvanje

- Ако не planirate da koristite uređaj duže vreme, molimo Vas da ga pažljivo odložite.
- Molimo vas, proverite da li je uređaj isključen, hladan i potpuno сув.
- Ostavite uređaj на суво и хладно место.
- Držite uređaj van домаšaja dece.

5.3 Baratanje i transport

- Tokom premeštanja i transporta nosite uređaj spakovan u originalnu ambalažu. Ambalaža štiti uređaj od fizičkih oštećenja.
- Ne stavlјajte teret na uređaj ili na ambalažu. Uređaj se može oštetiti.
- Pazite da Vam uređaj ne padne na pod, jer to može izazvati trajnја oštećenja i kvar uređaja.

6 Решавање проблема

Решавање проблема	Изворни разлог	Помоћ
Уређај не ради.	Проверите осигураче.	Можда је осигурач прегорио, проверите и вратите га.
Уређај не ради.	Проверите прикључак на напајање електричном енергијом.	Напон мреже мора бити између 220 и 240 V.
Уређај не ради.	Проверите прикључак на напајање електричном енергијом.	Проверите раде ли други уређаји у вашој кухињи.
Расветна лампица не ради.	Проверите прикључак на напајање електричном енергијом.	Напон мреже мора бити између 220 и 240 V.
Расветна лампица не ради.	Проверите прекидач за лампицу.	Прекидач за лампицу мора бити у положају „Укључено“.
Расветна лампица не ради.	Проверите лампице.	Лампице уређаја морају светлити.
Довод ваздуха у уређају није довољан.	Проверите алуминијски филтер.	У нормалним радним условима, алуминијски филтер за масноћу се чисти најмање једном месечно.
Довод ваздуха у уређају није довољан.	Проверите одвод ваздуха (димовод).	Прекидач за одвод ваздуха (димњак) треба да буде у положају „Укључено“.
Довод ваздуха у уређају није довољан.	Проверите карбонски филтер.	Филтере уређаја с карбонским филтерима треба заменити једном у 3 месеца у нормалним условима.

Najskôr si prečítajte túto používateľskú príručku!

Vážený zákazník,

Ďakujeme vám, že ste si vybrali tento spotrebič značky Beko. Dúfame, že s týmto spotrebičom, ktorý bol vyrobený vo vysokej kvalite a s najmodernejšími technológiami, dosiahnete tie najlepšie výsledky. Z tohto dôvodu si pred použitím spotrebiča pozorne prečítajte celú túto používateľskú príručku a všetky ostatné sprievodné dokumenty a uschovajte ich pre prípad potreby do budúcnosti. Ak dáte spotrebič niekomu inému, dajte mu tiež používateľskú príručku. Postupujte podľa pokynov a venujte pozornosť všetkým informáciám a varovaniam v používateľskej príručke.

Pamätajte, že sa táto používateľská príručka môže vzťahovať aj na iné modely. Rozdiely medzi modelmi budú v príručke výslovne popísané.

Význam symbolov

V rôznych častiach tejto používateľskej príručky sú použité nasledujúce symboly:



Dôležité informácie a užitočné tipy na použitie.



VAROVANIE: Upozornenia na nebezpečné situácie týkajúce sa ohrozenia života a majetku.



Upozornenia na nebezpečenstvo požiaru.



Varovanie pred zásahom elektrickým prúdom.



Trieda ochrany pred zásahom elektrickým prúdom.



1 Dôležité pokyny týkajúce sa bezpečnosti a životného prostredia

1.1 Všeobecná bezpečnosť

Dôležité bezpečnostné pokyny: Dôkladne si ich prečítajte a uschovajte pre nahliadnutie v budúcnosti

Táto časť obsahuje bezpečnostné pokyny, ktoré pomôžu ochrániť pred zranením osôb, poškodením majetku, vznikom požiaru alebo pred zásahom elektrickým prúdom. Nedodržanie týchto pokynov zruší platnosť akejkoľvek záruky.

- Produkty Beko spĺňajú platné bezpečnostné štandardy. V prípade akéhokoľvek poškodenia spotrebiča alebo napájacieho kábla musí byť oprava alebo výmena vykonaná predajcom, servisným centrom alebo odborníkom z autorizovaného servisu, aby sa predišlo akémukoľvek nebezpečenstvu. Chybná alebo neodborná oprava môže pre užívateľa predstavovať nebezpečenstvo a riziko.
- Tento spotrebič je určený len na použitie v domácnostiach a podobných prostrediach, ako sú napríklad:

- kuchynky pre zamestnancov v obchodoch, kanceláriách a iných pracovných prostrediach,
 - budovy na farmách,
 - priestory pre klientov v hoteloch, motelloch a ďalších obytných prostrediach,
 - prostredia ubytovania typu Bed and Breakfast.
- Spotrebič používajte iba na určený účel, ako je popísané v tomto návode.
 - Výrobca nenesie žiadnu zodpovednosť za žiadne škody spôsobené nesprávnou alebo nevhodnou inštaláciou alebo nevhodným používaním produktu.
 - Tento spotrebič môžu používať deti staršie ako 8 rokov a osoby so zníženými fyzickými, vnemovými alebo mentálnymi schopnosťami, prípadne nedostatkom skúseností a vedomostí, pokiaľ sú počas prevádzky spotrebiča pod náležitým dozorom alebo sú im dané inštrukcie o bezpečnom používaní spotrebiča a sú si ve-

1 Dôležité pokyny týkajúce sa bezpečnosti a životného prostredia

domí sprievodných rizík.

- Deťom nesmie byť dovolené hrať sa so spotrebičom. Deti bez dozoru nesmú vykonávať čistenie ani používateľskú údržbu.
- Minimálna vzdialenosť medzi varnými plochami sporáka a najnižšou časťou odsávača musí byť najmenej 65 cm.
- Ak sa v pokynoch pre plynový sporák uvádza väčšia vzdialenosť, musíte ju zohľadniť.
- Skontrolujte, či vaše napájanie zodpovedá informáciám uvedeným na štítku spotrebiča.
- Nikdy nepoužívajte spotrebič, ak je napájací kábel alebo samotný spotrebič poškodený.
- Zabráňte poškodeniu napájacieho kábla tým, že zabránite jeho pritlačeniu, ohýbaniu alebo odieraniu sa o ostré hrany. Napájací kábel udržiavajte mimo horúcich povrchov a otvoreného ohňa.
- Spotrebič zapájajte iba do uzemnenej zásuvky.

VAROVANIE: Spotrebič nepripájajte k elektrickej sieti, kým úplne nedokončíte inštaláciu.

- Spotrebič umiestnite tak, aby bola zástrčka vždy prístupná.
- Nedotýkajte sa lúčov, ak boli v prevádzke po dlhý čas. Keďže sú horúce, mohli by ste si popáliť ruky.
- Dodržiavajte predpisy vydané kompetentnými úradmi týkajúce sa vypúšťania odsávaného vzduchu (toto neplatí pre použitie bez dymovodu).
- Váš spotrebič spustíte len vtedy, ak je na varnej doske hrniec, panvica atď. V opačnom prípade môže teplo spôsobiť deformáciu niektorých častí vášho spotrebiča.
- Varnú dosku vypnite pred tým, ako z nej zložíte hrniec, panvicu a pod.
- Na varnej doske nenechávajte horúci olej. Panvice s horúcim olejom môžu zapríčiniť samovznietenie.
- Dávajte pozor na závesy a prikrývky, keďže by olej pri tepelnej

1 Dôležité pokyny týkajúce sa bezpečnosti a životného prostredia

úprave mohol vzbĺknuť, napr. pri smažení.

- Filter mastnoty sa musí vymieňať aspoň raz mesačne. Uhlíkový filter sa musí vymieňať aspoň každé 3 mesiace.
- Spotrebič musí byť čistený v súlade s používateľskou príručkou. Ak čistenie nebolo vykonané v súlade s používateľskou príručkou, môže hroziť nebezpečenstvo požiaru.
- Súčasné filtre nenahrádzajte materiálmi, ktoré nie sú ohňovzdorné.
- Používajte len originálne časti odporúčané výrobcom.
- Spotrebič nespúšťajte bez filtra a filtre nevyberajte počas prevádzky spotrebiča.
- V prípade, ak sa na spotrebiči objavia plamene, odpojte spotrebič aj zariadenia určené na varenie od elektrickej siete.
- V prípade vzniku ohňa zakryte plamene a nikdy nepoužívajte vodné hasiace prístroje.
- Spotrebič odpojte pred každým

čistením a v prípade, že ho nepoužívate.

- Negatívny tlak prostredia by nemal presiahnuť 4 Pa (4 x 10 bar), pokiaľ je digestor pre elektrickú varnú dosku v prevádzke súčasne so spotrebičmi fungujúcimi na inom type energie.
- V prostredí, kde je tento spotrebič používaný, musia byť výfuky zariadení fungujúcich na palivách, ako je olej alebo plyn, napr. izbové vykurovacie telesá, úplne oddelené alebo tieto zariadenia musia byť hermetického typu.
- Pri montáži dymovodu použite potrubie s priemerom 120 mm alebo 150 mm. Pripojenie cez potrubie musí byť čo najkratšie a mať čo najmenej kolien.

Nebezpečenstvo udusenía!

Všetky obaly uchovajte mimo dosahu detí.

VÝSTRAHA: Prístupné časti sa počas súčasného používania so spotrebičmi na varenie môžu zahriať.

- Výfuk spotrebiča nesmie byť napojený na vzduchové potrubia,

1 Dôležité pokyny týkajúce sa bezpečnosti a životného prostredia

ktoré obsahujú iný dym.

- Vetrание miestnosti môže byť nedostatočné, ak sa digestor pre elektrické varné dosky používa súčasne so zariadeniami využívajúcimi plyn alebo iné palivá (toto sa nevzťahuje na zariadenia, ktoré vypúšťajú vzduch späť do tej istej miestnosti).
- Predmety položené na spotrebič môžu spadnúť. Na spotrebič nekladte žiadne predmety.
- Pod spotrebičom neflambujte.

VAROVANIE: Pred inštaláciou digestora odstráňte ochranné fólie.

- Počas prevádzky pod digestorom nikdy nenechávajte vysoké priame plamene.
- Fritézy sa musia počas používania nepretržite monitorovať: prehriaty olej môže vzplanúť.

1.2 Súlad so smernicou o OEEZ a likvidácia vyradeného produktu:

Tento výrobok je v súlade so smernicou o OEEZ. (2012/19/EU). Tento výrobok je označený klasifikačným symbolom pre odpad z elektrických a elektronických zariadení (OEEZ).



Tento symbol znamená to, že tento výrobok sa na konci jeho životnosti nesmie likvidovať spolu s iným domácim odpadom.

Použitú spotrebiče sa musia odovzdať na oficiálnych zberných miestach na recykláciu elektrických a elektronických zariadení. Obráťte sa na miestne úrady alebo na predajcu, u ktorého ste si výrobok zakúpili, a informujte sa o umiestnení zberných zariadení. Každá domácnosť zohráva dôležitú úlohu v obnove a recyklácii starých spotrebičov. Správna likvidácia starého spotrebiča pomáha predísť možným negatívnym následkom pre životné prostredie a ľudské zdravie.

1.3 Súlad so smernicou RoHS

Výrobok, ktorý ste si zakúpili, vyhovuje smernici EÚ RoHS (2011/65/EÚ). Neobsahuje škodlivé ani zakázané materiály špecifikované v tejto smernici.

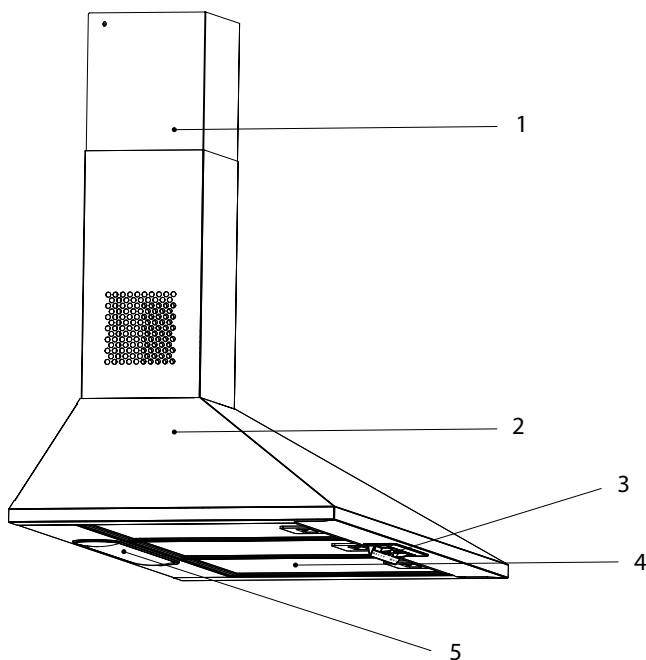
1.4 Informácie o balení



Obalové materiály tohto výrobku sú vyrobené z recyklovateľných materiálov v súlade s našimi Národnými environmentálnymi predpismi. Baliaci materiál nelikvidujte spolu s domovým odpadom alebo inými druhmi odpadu. Odneste ich na zberné miesto baliaceho materiálu, určené miestnymi úradmi.

2 Všeobecný vzhl'ad

2.1 Prehl'ad



1. Dymovod
2. Telo
3. Kontrolný panel
4. Kovový olejový filter
5. Osvetlenie varnej dosky

2.2 Technické údaje

Model	HCP61310I HCP61310IH HCP61310W HCP61310B	HCP91310I
Napájacie napätie	220-240V ~ 50 Hz	
Napájanie svetla	2x3 W	
Výkon motora	90 W	
Prietok vzduchu – 3. Úroveň	395 m ³ /h	
Trieda izolácie motora	TRIEDA F	
Izolačná trieda	TRIEDA II	

3 Používanie spotrebiča

3.1 Ovládací panel

		
	0 1 2 3	0 1
* : Osvetlenie	Ak chcete lampu vypnúť, prepnite spínač lampy (*) do polohy "0". Ak chcete lampu zapnúť, nastavte spínač lampy (*) do polohy "1".	
☞ : Motor	Ak chcete motor vypnúť, nastavte spínač motora (☞) do polohy "0". Motor môžete spustiť minimálne pri rýchlosti 1 a maximálne pri rýchlosti 3 v závislosti od intenzity pary z varenia.	

- Odsávač pár bol navrhnutý výlučne na použitie v domácnosti, pre eliminovanie zápachu v kuchyni.
- Nikdy nepoužívajte odsávač pár na iné účely, ako na ktorý bol navrhnutý.
- Keď je digestor v prevádzke, nikdy nenechávajte pod digestorom vysoké plamene.
- Intenzitu plameňa nastavte tak, aby smerovala iba na spodnú časť panvice a uistite sa, že nesiahajú na boky.
- Fritézy s obsahom tuku sa musia počas používania nepretržite monitorovať: prehriaty olej môže vzplánuť.

3.2 Efektívne využitie z hľadiska Úspory energie

- Pri používaní spotrebiča, upravte nastavenie rýchlosti podľa intenzity pary a zápachov, z dôvodu šetrenia energie.
- Používajte nízku rýchlosť (1-2) za obvyklých podmienok a vysokú rýchlosť (3) pri intenzívnom zápachu a pary.
- Lampy na odsávači sú umiestnené pre osvetlenie priestoru na varenie.
- Ich používanie na osvetlenie priestoru bude viesť k zbytočným výdavkom energie a k nedostatočnému osvetleniu.
- Ak chcete, aby zariadenie spotrebovalo menej energie, spúšťajte ho pri nízkych otáčkach.
- Vaše zariadenie zníži spotrebu energie, pretože bude pracovať efektívnejšie, keď mu zabezpečíte dostatočný prívod vzduchu.
- V prípadoch, keď viete, že dôjde k vytvoreniu hustej pary, nastavte zariadenie na úroveň intenzívneho scieho výkonu pred vznikom pary. Spotrebu energie tak znížite tým, že zariadenie budete používať kratší čas, pretože bude mať dostatočný prívod vzduchu.
- Pokrievky riadu nechajte zakryté, aby ste znížili vývin pary.

3.3 Ovládanie Odsávača pár

- Váš spotrebič obsahuje motor, ktorý má premenlivú rýchlosť.
- Pre lepšiu výkonnosť odporúčame používať nízke rýchlosti za normálnych podmienok a vysoké rýchlosti v prípade silných zápachov a intenzívnych výparov.
- Spotrebič môžete spustiť stlačením tlačidla požadovaného nastavenia rýchlosti. (1, 2, 3)
- Varnú zónu môžete osvetliť stlačením lampy.

3 Používanie spotrebiča

3.4 Výmena lampy

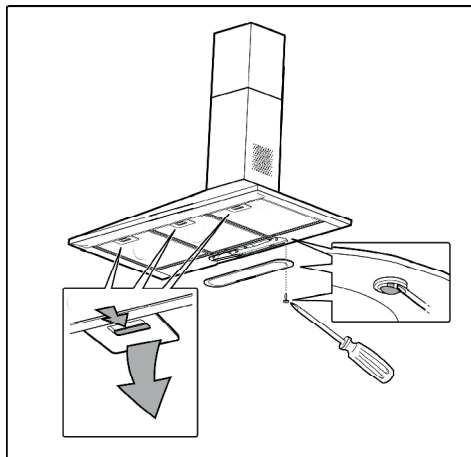



- Pred výmenou žiaroviek odpojte napájanie odsávača pár.
- Nedotýkajte sa žiaroviek, keď sú horúce.
- Dávajte pozor, aby ste sa vymenenej žiarovky nedotýkali priamo rukami.



Lampy si môžete zaobstarať u autorizovaných servisných zástupcov.

Vykonajte elektrické pripojenie spotrebiča. Vo Vašom spotrebiči sa používajú bodové LED žiarovky s výkonom a 3 W. Pri výmene žiaroviek zatlačte držiak smerom dozadu, otočte ho proti smeru hodinových ručičiek a vyberte ho smerom dole. Použite vyššie uvedenú operáciu dozadu a nainštalujte nové žiarovky.

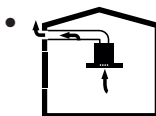


Žiarovka	
Výkon žiarovky	3 W
Držiak / zásuvka	E14
Napätie žiarovky	230 V

Veľkosť	D35x98mm
ILCOS kód	DRGSB/C/UB-3/27/1B-230-E14-55
Svetelný tok	320 lm
Súvisiaca teplota farby	2700 K

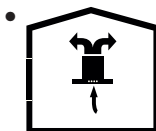
Tento výrobok obsahuje svetelný zdroj triedy energetickej účinnosti "E".

3.5 Prevádzka s komínom



- Para sa odvádza cez komínové potrubie, ktoré je pripojené k pripojovacej hlave na odsávači pár.
- Priemer komína musí byť rovnaký ako spojovací krúžok. V horizontálnych nastaveniach musí mať potrubie mierny sklon nahor (okolo 10 °), aby mohol vzduch ľahko unikať z miestnosti.

3.6 Prevádzka bez komína



- Vzduch sa filtruje cez uhlíkový filter a recirkuluje v miestnosti. Uhlíkový filter sa používa, keď nie je možné v dome použiť komín.
- Pri bezprúdovom používaní odstráňte klapky vo vnútri komínového adaptéra.
- Odstráňte hliníkové tukové kazety. Ak chcete nainštalovať uhlíkový filter, nasadte filter na úchytky centrovaním na plastový kus na oboch stranách tela ventilátora. Dotiahnite ho otočením doprava alebo doľava.
- Vymeňte hliníkový tukový filter.

4 Čistenie a údržba

Zariadenie by sa malo pravidelne čistiť a udržiavať. Ak nebudete zariadenie udržiavať v čistote, bude to mať negatívny vplyv na životnosť zariadenia. Pri čistení a údržbe postupujte podľa pokynov uvedených v príručke.



Pred čistením a údržbou odpojte spotrebič zo siete alebo vypnite hlavný vypínač alebo uvoľnite poistku, ktorá napája odsávač pár.



Nedodržanie ustanovení týkajúcich sa čistenia zariadenia a výmeny filtrov môže mať za následok riziko požiaru. Preto sa odporúča dodržiavať tu uvedené pokyny. Výrobca nezodpovedá za poškodenie motora alebo za požiare vzniknuté v dôsledku nesprávneho používania.

Čistite iba pomocou handričky navlhčenej v neutrálnom tekutom čistiacom prostriedku. Nečistite pomocou prístrojov alebo nástrojov. Nepoužívajte abrazívne prostriedky. Nepoužívajte alkohol.

4.1 Čistenie hliníkového tukového filtra

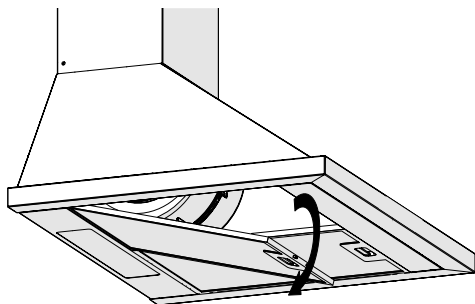
Tento filter zachytáva zo vzduchu častice oleja. Za normálnych podmienok používania vám odporúčame vyčistiť filter každý mesiac. Najskôr pre tento proces odstráňte tukový filter. Filtre umyte tekutým čistiacim prostriedkom, opláchnite ich vodou a po uschnutí ich znovu vložte. Hliníkové tukové filtre môžu pri umývaní vyblednúť; je to normálne a nemusíte meniť filter.



Hliníkový filter môžete umývať v umývačke riadu



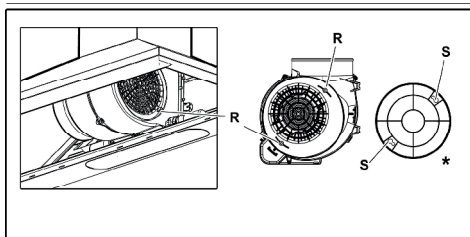
VÝSTRAHA: V prípade normálneho používania vyčistite filter raz za mesiac.



- Hliníkový olejový filter zatlačte dopredu.
- Potom ho mierne potiahnite a vytiahnite. V opačnom prípade môžete filter ohnúť. Hliníkový olejový filter umyte a opláchnite tekutým čistiacim prostriedkom a vráťte hliníkový filter so svojich uložení vykonaním vyššie uvedených krokov v opačnom poradí. Tento filter zadržiava častice oleja zo vzduchu.

4.2 Výmena uhlíkového filtra

Digestor môže byť vybavený filtrom s aktívnym uhlím. Uhlíkový filter sa aplikuje iba v prípade, ak nie je odsávač pár pripojený k vetraciemu kanálu.



- Vyberte hliníkové filtre.
- Vyberte filter otočením kolíkov z úrovne S na úroveň R v smere hodinových ručičiek.
- Nainštalujte nový filter vykonaním vyššie uvedeného postupu v opačnom poradí.
- Namontujte hliníkové filtre.

4 Čistenie a údržba



POZOR:

- Uhlíkový filter sa nikdy neumýva.
- V každom prípade je nutné uhlíkový filter vymeniť najmenej každé tri mesiace.
- Uhlíkový filter je k dispozícii v Autorizovaných servisoch.

5 Nastavenie zariadenia



UPOZORNENIE : Pred nastavením si prečítajte bezpečnostné pokyny.



UPOZORNENIE : Neinštalovanie skrutiek alebo upevňovacieho zariadenia v súlade s týmito pokynmi môže viesť k úrazu elektrickým prúdom.

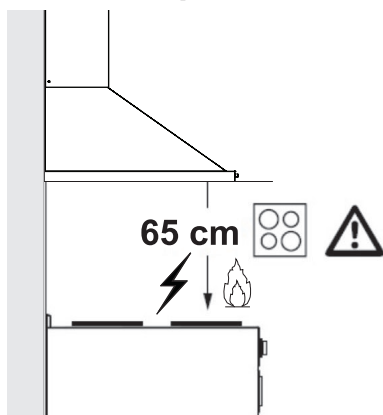


Inštaláciu príručku nájdete na strane 137.

Ak chcete nainštalovať odsávač pár, kontaktujte najbližšiu autorizovanú službu.

Zákazník je zodpovedný za prípravu umiestnenia a elektrickej inštalácie odsávača pár.

5.1 Pozícia spotrebiča



- Pred zmontovaním zvážte vzdialenosť medzi sporákom a odsávačom. Táto vzdialenosť musí byť aspoň 65 cm.
- U plynových sporákov sa musí merať vzdialenosť od povrchu mriežky, pre elektrické sporáky od povrchu skla

5.2 Skladovanie

- Ak nechcete spotrebič dlhšiu dobu používať, dôkladne ho uskladnite.
- Skontrolujte, či je spotrebič odpojený, vychladnutý a úplne suchý.
- Spotrebič skladujte na suchom, chladnom mieste.
- Spotrebič skladujte mimo dosahu detí.

5.3 Zaobchádzanie a preprava

- Počas manipulácie a prepravy majte prístroj v pôvodnom obale. Balenie spotrebiča ho chráni pred fyzickým poškodením.
- Na zariadenie ani na obal nekladte ťažké bremená. Prístroj sa môže poškodiť.
- Pád prístroja môže spôsobiť jeho nefunkčnosť alebo trvalé poškodenie.

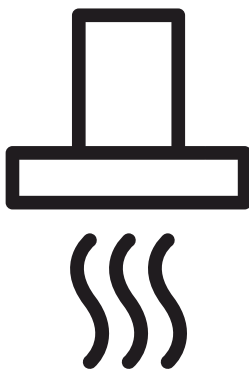
6 Odstraňovanie problémov

Odstraňovanie problémov	Príčina	Pomoc
Zariadenie nefunguje.	Skontrolujte svoje poistky.	Poistka môže byť vypálená, skontrolujte a obnovte ju.
Zariadenie nefunguje.	Skontrolujte elektrické pripojenie.	Sieťové napätie musí byť medzi 220 a 240 V.
Zariadenie nefunguje.	Skontrolujte elektrické pripojenie.	Skontrolujte, či vo vašej kuchyni funguje iný spotrebič.
Osvetľovacie svetlo nefunguje.	Skontrolujte elektrické pripojenie.	Sieťové napätie musí byť medzi 220 a 240 V.
Osvetľovacie svetlo nefunguje.	Skontrolujte spínač žiarovky.	Prepínač lampy musí byť v polohe "zapnuté".
Osvetľovacie svetlo nefunguje.	Skontrolujte žiarovky.	Svietidlá zariadenia sa musia rozsvietiť.
Prívod vzduchu do zariadenia nie je dostatočný.	Skontrolujte hliníkový filter.	Za normálnych prevádzkových podmienok sa musí hliníkový filter čistiť najmenej raz za mesiac.
Prívod vzduchu do zariadenia nie je dostatočný.	Skontrolujte vývod vzduchu z komína.	Komín pre odvod vzduchu musí byť v polohe „zapnutý“.
Prívod vzduchu do zariadenia nie je dostatočný.	Skontrolujte uhlíkový filter.	Filtre spotrebičov s uhlíkovými filterami sa za normálnych podmienok vymieňajú raz za každé 3 mesiace.



Вытяжка

Инструкция по эксплуатации



HCP61310I
HCP61310IH
HCP61310W
HCP61310B
HCP91310I

RU

Ознакомьтесь с этим руководством перед началом эксплуатации!

Уважаемый покупатель!

Благодарим Вас за выбор этого изделия компании Веко. Мы надеемся, что продукция, изготовленная на современном оборудовании и имеющая высокий уровень качества, будет служить вам наилучшим образом. Для этого, перед началом эксплуатации, внимательно прочтите данное руководство и все прочие сопроводительные документы, и используйте их в дальнейшем в справочных целях. При передаче устройства другому лицу необходимо также передать это руководство. Соблюдайте указания, которые даны в этом руководстве пользователя, и обращайтесь особое внимание на справочные пометки и предупреждения.

Имейте в виду, что данное руководство пользователя может также относиться к другим моделям. Различия между моделями четко описаны в руководстве.

Условные обозначения

В разных разделах данного руководства пользователя используются следующие символы:



Важная информация и полезные советы относительно эксплуатации.



ВНИМАНИЕ: Предупреждения об опасности травмирования или повреждения имущества.



Предупреждение об опасности возникновения пожара.



Предупреждение об опасности поражения электрическим током.



Класс защиты от поражения электрическим током.



1 Важные инструкции по технике безопасности и защите окружающей среды

1.1. Общие правила техники безопасности

Важные инструкции по технике безопасности: внимательно ознакомьтесь и сохраните для дальнейшего использования. В этом разделе содержатся правила техники безопасности, соблюдение которых позволит исключить риск возникновения пожара, поражения электрическим током, воздействия утечек микроволнового излучения, получения иных травм или причинения материального ущерба. При несоблюдении этих правил все гарантийные обязательства аннулируются.

- Изделия торговой марки Веко соответствуют действующим стандартам безопасности. В случае повреждения электроприбора или шнура питания, во избежание

опасных ситуаций, ремонт или замена должны производиться дилером, сервисным центром, специалистом или авторизованной службой. Неправильно или непрофессионально выполненные ремонтные работы могут привести к опасным для пользователя ситуациям.

- Этот прибор предназначен только для бытового и сходного с ним применения, а именно:
 - в кухонных зонах для персонала в магазинах, офисах и других рабочих помещениях;
 - на фермах;
 - в номерах гостиниц, мотелей и т. п.;
 - в помещениях, предоставляемых для проживания на условиях полупансиона.
- Используйте данный электроприбор только

1 Важные инструкции по технике безопасности и защите окружающей среды

по его прямому назначению, как описано в данном руководстве.

- Производитель не несет ответственности за любые повреждения, возникшие в результате неправильного использования или неправильной установки изделия.
- Дети старше 8 лет, а также лица с ограниченными физическими, сенсорными и умственными способностями или без соответствующих навыков и опыта могут использовать данный прибор только под присмотром или после получения инструкций по поводу безопасного использования прибора и осознания связанных с этим опасностей.
- Не позволяйте детям играть с прибором. Не позволяйте детям самостоятельно выполнять очистку и обслуживание прибора.
- Минимальное расстояние между опорной поверхностью емкостей для приготовления пищи на варочной панели и самой нижней частью изделия должно быть не менее 65 см.
- Если в инструкции по установке газовой плиты указано большее расстояние, это следует принять во внимание.
- Напряжение сети питания должно соответствовать номинальным характеристикам, указанным на паспортной табличке электроприбора.
- Ни в коем случае не пользуйтесь электроприбором, если шнур питания или электроприбор повреждены.
- Во избежание повреждения шнура питания не допускайте его сдавливания, перегиба

1 Важные инструкции по технике безопасности и защите окружающей среды

или контакта с острыми кромками. Не допускайте соприкосновения шнура питания с горячими поверхностями или открытым пламенем.

- Включайте прибор только в розетку с заземляющим контактом.

ВНИМАНИЕ: Не подключайте прибор к электросети до полного завершения работ по установке.

- Электроприбор следует располагать таким образом, чтобы штепсельная вилка была легкодоступна.
- Не прикасайтесь к лампам, если они работали в течение длительного времени. Это может вызвать ожог рук, поскольку лампы очень горячие.
- Следуйте инструкциям, установленным компетентными органами относительно выпуска

отработанного воздуха (данное предупреждение касается вентиляционных труб).

- Включите прибор после того, как поставите кастрюлю, сковороду и т. д. на варочную панель. В противном случае высокая температура может привести к деформации некоторых частей изделия.
- Отключайте варочную панель перед тем, как убрать с нее кастрюлю, сковороду и т.д.
- Не оставляйте горячее масло на варочной панели. Сковорода с горячим маслом может стать причиной самовозгорания.
- Следите за шторами и занавесками, поскольку при приготовлении таких блюд, как картофель фри масло может загореться.

- Замену жироулавливателя следует осуществлять, как минимум, раз в месяц. Замену угольного фильтра осуществлять, как минимум, раз в 3 месяца.
- Чистку изделия необходимо выполнять в соответствии с инструкциями руководства пользователя. Если чистка изделия не осуществляется в соответствии с указаниями руководства пользователя, существует риск возникновения пожара.
- Не используйте неогнеупорные фильтрующие материалы вместо текущего фильтра.
- Используйте только оригинальные детали или же рекомендованные производителем детали.
- Не эксплуатируйте изделие без фильтра и не снимайте фильтры во время работы изделия.
- В случае возникновения пожара, отключите питание изделия и кухонной плиты.
- В случае возникновения пожара, накройте источник огня. Применение воды для тушения не допускается.
- Отключайте прибор от электросети перед чисткой, а также когда он не используется.
- Отрицательное давление окружающей среды не должно превышать 4 Па (4 x 10 бар) во время одновременной работы вытяжки для электрической варочной панели и приборов, работающих от другого источника энергии.
- В среде, где используется прибор, выхлопные газы устройств, работающих на жидком топливе или газе, таких как комнатный обогрева-

1 Важные инструкции по технике безопасности и защите окружающей среды

тель, должны быть полностью изолированы, или должны быть герметичными.

- При подсоединении к вытяжной трубе, используйте трубы диаметром 120 или 150 мм. Соединения труб должны быть как можно более короткими и иметь минимальное количество колен.
- Существует опасность удушья! Храните упаковочные материалы в недоступном для детей месте.

О С Т О Р О Ж Н О : Доступные детали прибора могут нагреваться во время использования кухонных плит.

- Выход вытяжки нельзя подключать в воздуховодам, которые заняты отводом других отработанных воздушных масс.
- Вентиляция в помещении может быть недо-

статочной в случае, если вытяжка для электрической варочной панели используется одновременно с устройствами, работающими на газе или других видах топлива (это не относится к приборам, которые только выпускают воздух обратно в помещение).

- Находящиеся на изделии предметы могут упасть. Не следует класть посторонние предметы на вытяжку.
- Фламбирование блюд под изделием не допускается.

ВНИМАНИЕ: Перед началом работ по установке вытяжки удалите защитную пленку.

- Никогда не оставляйте открытым высокое пламя под работающей вытяжкой.
- Во время использования фритюрниц их необхо-

1 Важные инструкции по технике безопасности и защите окружающей среды

димо держать под постоянным присмотром: сильно нагретое масло может загореться.

1.2 Соответствие Директиве по утилизации отходов электрического и электронного оборудования и утилизация продукта:

Данное изделие соответствует требованиям Директивы по утилизации отходов электрического и электронного оборудования (2012/19/ЕС). На изделие нанесено условное обозначение для отходов электрического электронного оборудования (WEEE).



Этот символ означает, что по истечении срока службы данного прибора, он не должен утилизироваться вместе с другими бытовыми отходами. Бывшее в употреблении устройство необходимо сдать в официальный пункт сбора для утилизации электрического и электронного оборудования. Для получения информации о таких пунктах сбора, пожалуйста, свяжитесь с местными органами власти или розничной торговли, по месту покупки настоящего прибора. В вопросах восстановления и утилизации бывших в употреблении приборов каждый конкретный владелец играет важную роль. Надлежащая утилизация использованного бывшего в употреблении прибора помогает предотвратить потенциальные негативные последствия для окружающей среды и здоровья человека.

1.3 Соответствие Директиве ЕС по ограничению использования вредных веществ

Приобретенное вами изделие соответствует требованиям Директивы ЕС по ограничению использования вредных веществ (2011/65/ЕС). Устройство не содержит указанных в Директиве вредных веществ и запрещенных материалов.

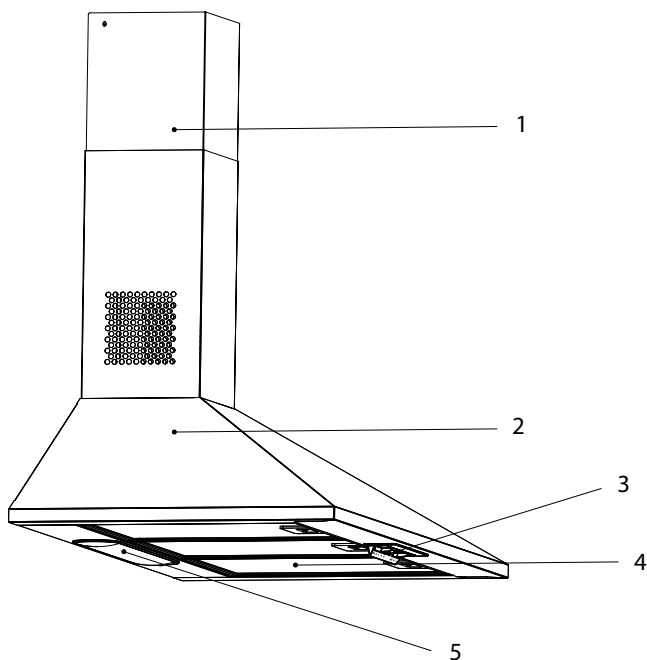
1.4. Информация об упаковке



Упаковочные материалы изделия изготовлены из вторичного сырья, в соответствии с государственными законами об охране окружающей среды. Не выбрасывайте упаковочные материалы вместе с бытовыми или другими отходами. Отнесите их в пункты приема упаковочных материалов, организованные местными органами власти.

2 Общий внешний вид

2.1 Обзор





1. Камин
2. Тело
3. Панель управления
4. Алюминиевый жирособирающий фильтр
5. Освещение варочной панели

2.2 Технические характеристики

Модель	HCP61310I HCP61310IH HCP61310W HCP61310B	HCP91310I
Напряжение электропитания	220-240 V ~ 50 Гц	
Мощность лампы	2x3 Вт	
Мощность двигателя	90 Вт	
Расход воздуха – 3. Уровень	395 м³/ч	
Класс изоляции двигателя	класс F	
Класс изоляции	класс I	

3 Использование прибора

3.1 Использование прибора

 	
0 1 2 3 0 1	
* : Включение/ выключение света	Чтобы выключить лампу, установите переключатель лампы в положение «0». Чтобы включить лампу, установите переключатель лампы в положение «1».
☞ : Двигатель	Чтобы выключить двигатель, установите переключатель двигателя (☞) в положение «0». Вы можете запустить двигатель минимум на уровне скорости 1 и максимум на уровне скорости 3 в зависимости от интенсивности паров при приготовлении пищи.

- Вытяжка была разработана исключительно для домашнего использования, чтобы устранить запах из кухни.
- Никогда не используйте вытяжку в целях, для которых она не предназначена.
- Когда вытяжка работает, не используйте под ней высокий открытый огонь.
- Отрегулируйте интенсивность пламени, чтобы направить его только на дно сковороды, следя за тем, чтобы он не охватывал стороны.
- Во время использования фритюрницы следует постоянно проверять: перегретое масло может загореться.

3.2 Энергоэффективное использование

- При использовании вытяжки для экономии электроэнергии устанавливайте скорость в соответствии с интенсивностью образования пара или запаха.
- В обычных условиях используйте низкие скорости (1-2), а при интенсивном образовании пара и запаха – высокую (3).
- Лампы на вытяжке предназначены для освещения места готовки.
- Их использование для освещения помещения приведет к чрезмерному потреблению электроэнергии и будет недостаточным.
- Чтобы устройство потребляло меньше энергии, запустите его на низкой скорости.
- Ваше устройство снизит энергопотребление, так как оно будет работать более эффективно, когда вы обеспечите достаточный забор воздуха.
- Установите устройство на интенсивный уровень мощности всасывания перед образованием пара в тех случаях, когда вы знаете, что будет плотный пар. Таким образом, вы уменьшаете энергопотребление, используя свое устройство в течение более короткого времени, поскольку оно будет иметь достаточно эффективный воздухозаборник.
- Держите крышки посуды закрытыми, чтобы уменьшить выделение пара.

3 Использование прибора

3.3 Эксплуатация вытяжки

- В вытяжке имеется мотор, работающий на разных скоростях.
- Для лучшей производительности мы рекомендуем использовать низкие скорости в нормальных условиях и высокие скорости в случае сильного запаха и интенсивного пара.
- Вы можете запустить прибор, нажав кнопку желаемой скорости. (1, 2, 3)
- Вы можете осветить зону приготовления, нажав на лампы.

3.4 Замена лампы

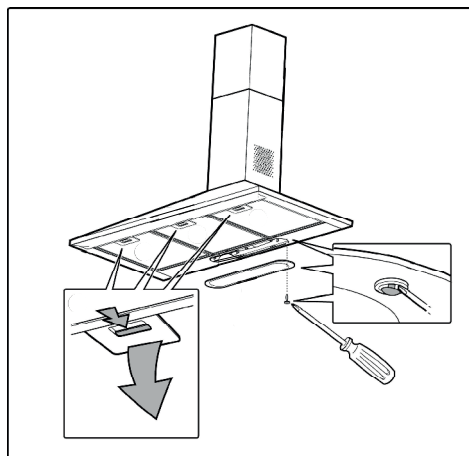


- Перед заменой лампочек отсоедините вытяжку от электросети.
- Не прикасайтесь к лампам, когда они горячие.
- Будьте осторожны, чтобы не дотронуться до лампочки руками.



Вы можете приобрести лампы у авторизованных сервисных дилеров.

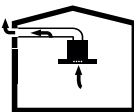
Выполните электрические подключения устройства. В вашем приборе используется точечная светодиодная лампа мощностью 3 Вт. Для замены ламп нажмите на держатель вниз, поверните его против часовой стрелки и вытащите его. Выполните описанную выше операцию в обратном порядке, чтобы установить новые лампы.



Напольная лампа	
Власть	3 W
Разъем	E14
Напряжение	230 V
Измерение	D35x98mm
Код ILCOS	DRGSB/C/UB-3/27/1B-230-E14-55
Световой поток	320 lm
Коррелированная цветовая температура	2700 K

Этот продукт содержит источник света класса энергоэффективности «E».

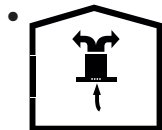
3.5 Работа с подключением к дымоходу

-  Пар выводится через дымоход, который крепится к соединительной головке вытяжки.
- Диаметр дымохода должен быть таким же, как у соединительного кольца. В горизонтальном положении труба должна иметь небольшой

3 Использование прибора

наклон вверх (около 10°), чтобы воздух мог легко выходить из комнаты.

3.6 Работа без подключения к дымоходу



Воздух фильтруется через угольный фильтр и рециркулирует в помещении. Угольный фильтр применяется, когда в доме нельзя использовать дымоход.

- При использовании без дымохода снимите заслонки внутри переходника дымохода.
- Снимите алюминиевый жировой фильтр. Чтобы установить угольный фильтр, прикрепите фильтр к выступам, центрируя его на пластиковом элементе с обеих сторон корпуса вентилятора. Затяните, повернув вправо или влево.
- Заменить алюминиевый жировой фильтр.

4 Чистка и техническое обслуживание

Устройство следует регулярно чистить и обслуживать. Неподдержание устройства в чистоте отрицательно повлияет на срок службы устройства. Для очистки и технического обслуживания следуйте инструкциям, изложенным в руководстве.



Отключите устройство от сети или выключите соединения перед чисткой и техническим обслуживанием.

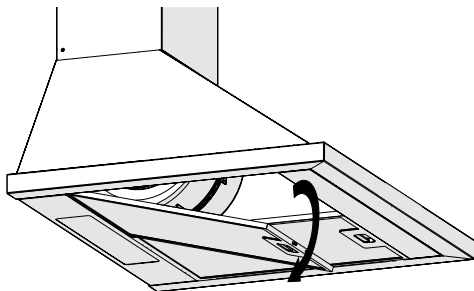


Несоблюдение положений, связанных с очисткой устройства и заменой фильтров, может привести к риску возгорания. Поэтому рекомендуется следовать приведенным здесь рекомендациям. Производитель не несет ответственности за повреждения двигателя или возгорания, возникшие в результате неправильного использования.

Протрите только тканью, смоченной нейтральным жидким моющим средством. Не чистите с помощью инструментов. Не используйте абразивные чистящие средства. Не используйте спирт.

4.1 Очистка алюминиевого жирового фильтра

Алюминиевый жировой фильтр используется для удержания частиц масла в воздухе. Алюминиевый жировой фильтр может изменить цвет после многократной очистки. Это нормально, и вам не нужно менять фильтры.



4 Чистка и техническое обслуживание

- Выдвиньте затвор алюминиевого масляного фильтра вперед.
- Затем слегка потяните вниз и вытащите. Иначе вы можете искривить фильтр. Вымойте и прополоскайте алюминиевые жировые фильтры жидким моющим средством и замените фильтры в их гнездах, выполнив действия, указанные выше, в обратном порядке. Этот фильтр задерживает частицы масла из воздуха.



Вы также можете мыть алюминиевый жировой фильтр в посудомоечной машине.



ВНИМАНИЕ: В случае нормальной эксплуатации очищайте алюминиевый жировой фильтр один раз в месяц.

- Снимите фильтр, повернув штифты с уровня S на уровень R по часовой стрелке.
- Установите новый фильтр, выполнив описанную выше процедуру в обратном порядке.
- Установите алюминиевый жировой фильтр.

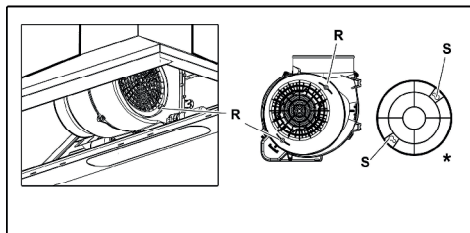
ВНИМАНИЕ



- Запрещено мыть угольные фильтры.
- Заменяйте угольные фильтры каждые 3 месяца.
- Вы можете приобрести угольный фильтр в авторизованных сервисах.

4.2 Замена угольных фильтров

Фильтры для удаления запахов содержат древесный уголь (активированный уголь). В продукт необходимо устанавливать алюминиевый жировой фильтр, независимо от того, используются ли угольные фильтры.



- Снимите алюминиевый жировой фильтр.

5 Установка прибора



ПРЕДУПРЕЖДЕНИЕ:

Перед началом установки прочтите информацию по безопасности в Руководстве пользователя.



ПРЕДУПРЕЖДЕНИЕ:

Несоблюдение инструкций по установке с помощью винтов и стабилизаторов может привести к поражению электрическим током.

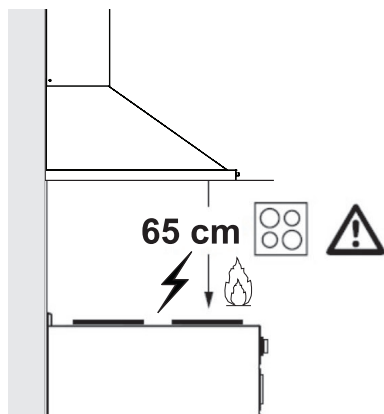


Обратитесь к странице 137 для руководства по установке

По вопросам установки вытяжки обращайтесь в ближайший авторизованный сервисный центр.

Заказчик несет ответственность за подготовку места и электрического монтажа вытяжки.

5.1 Положение прибора



- Перед сборкой необходимо учитывать расстояние между плитой и вытяжкой. Это расстояние должно составлять 65 см.

- Расстояние необходимо измерять от поверхности решетки для газовых плит, от поверхности стекла для электрических плит.

5.2 Хранение

- Если вы не планируете использовать электроприбор в течение длительного времени, то его следует хранить надлежащим образом.
- Убедитесь, что электроприбор отключен от электросети, остыл, а его поверхности полностью сухие.
- Хранить прибор следует в сухом прохладном месте.
- Храните устройство в недоступном для детей месте.

5.3 Обращение и транспортировка

- Во время обработки и транспортировки переносите прибор в оригинальной упаковке.
- Упаковка устройства защищает его от физических повреждений.
- Не кладите тяжелые грузы на прибор или упаковку. Возможно повреждение прибора.

- а) если изделие, предназначенное для личных (бытовых, семейных) нужд, использовалось для осуществления предпринимательской деятельности, а также в иных целях, не соответствующих его прямому назначению;
 - б) в случае нарушения правил и условий эксплуатации, установки изделия, изложенных в инструкции по эксплуатации и инструкции по установке;
 - в) если изделие имеет следы попытки неквалифицированного ремонта;
 - г) если дефект вызван изменением конструкции или схемы изделия, не предусмотренные изготовителем;
 - д) если дефект вызван действием непреодолимых сил, несчастными случаями, умышленными или неосторожными действиями потребителя или третьих лиц;
 - е) если обнаружены повреждения, вызванные попаданием внутрь изделия посторонних предметов, веществ, жидкостей, насекомых;
 - ж) использование неоригинальных расходных материалов автоматически лишает Вас гарантии изготовителя.
5. Гарантийные обязательства и бесплатное сервисное обслуживание не распространяются на следующие недостатки изделия:
- а) механические повреждения, возникшие после передачи товара потребителю;
 - б) повреждения, вызванные несоответствием стандартам параметров питающих, телекоммуникационных, кабельных сетей и других подобных внешних факторов;
 - в) повреждения, вызванные использованием нестандартных и (или) некачественных расходных материалов, принадлежностей, запасных частей;
6. В случае несовершеного (стусия более чем один месяц) извещения о выявленных недостатках изделия, изготовитель оставляет за собой право отказать полностью или частично от удовлетворения предъявляемых требований (ст. 436 ГК РК).

НАЗАР АУДАРЫҢЫЗДАР!

Үш контактілі желілік айыры бар бұйым, міндетті түрде, жерге тұйықталуы тиіс. **ВНИМАНИЕ!** Изделие, имеющее трехконтактную сетевую вилку, обязательно должно быть заземлено.

Қазақстан Республикасы аумағында өрекет етеді. Действует на территории Республики Казахстан.

Покупатель _____ Фамилия, Имя, Отчество	Покупатель _____ Фамилия, Имя, Отчество	Покупатель _____ Фамилия, Имя, Отчество
Адрес _____	Адрес _____	Адрес _____
Тел. _____	Тел. _____	Тел. _____
Дата ремонта _____	Дата ремонта _____	Дата ремонта _____
Серв. центр _____	Серв. центр _____	Серв. центр _____
Мастер _____	Мастер _____	Мастер _____
Фамилия, Имя, Отчество _____	Фамилия, Имя, Отчество _____	Фамилия, Имя, Отчество _____

Дата	Характер неисправности	Принятые меры

М.П. _____ Подпись ответственного лица _____



Қазақстан Республикасы аумағында өрекет етеді
 Действует на территории Республики Казахстан

<http://www.beiko.kz>

Адрес: 109004, Россия, Москва, ул. Станиславского д.21, стр.1
 Телефоны горячей линии **8-800-200-23-56**
 (Звонок бесплатен на всей территории Республики Казахстан)

Гарантийный талон № _____

Модель _____ Серийный номер _____	Дата продажи _____ Компания _____
Дата установки _____ Компания _____	Подпись мастера _____ ПЕЧАТЬ _____

Покупатель _____ Фамилия, Имя, Отчество _____ Телефон _____

Изделие проверилось в присутствии покупателя, покупатель с условиями гарантии ознакомлен. Претензий к внешнему виду и комплектации не имею _____ Подпись Покупателя _____

! *Отрывные купоны гарантийного талона являются средством отчетности о выполнении сервисным центром гарантийных работ. Купон изымается из гарантийного талона после удовлетворения Ваших претензий.*

beiko серия № _____ Дата продажи _____	beiko серия № _____ Дата продажи _____	beiko серия № _____ Дата продажи _____
ПЕЧАТЬ МАГАЗИНА _____	ПЕЧАТЬ МАГАЗИНА _____	ПЕЧАТЬ МАГАЗИНА _____

Құрметті Сатып алушы!

БЕКО сауда маркасының бұйымның тағдағаныңыз үшін алғыс білдіреміз.

БЕКО тіршілік техникасына тұлғаның тасырыған күнінен бастап 10 (он) жыл ресми қызмет көрсету мерзімін белгілейді. Өзге тұрмыстық техникаға, теледидарларға, аудио-видео және радио аппаратураларға, тұрмыста қолдануға арналған кондиционерлерге пайдалану жөніндегі нұсқау-ақпараттардан жағдайда, 5 (бес) жыл ресми қызмет көрсету мерзімін белгілейді. БЕКО өнімдерінің жағары сапасын, беріктігі мен құрғақсүздік дәрежесін ескерсек, өнімнің қызмет мерзімі ресми пайдалану мерзімінен әдейі ұзарды. Белгілі бір мемлекетке сатуға арналған БЕКО өнімді сол мемлекеттің пайдалану жөніндегі талаптарына негіздеп отырып жасалған. Соның қаз жетісу үшін бұйым мен бұйымның орнандығы ресми белгілердің сәйкестігін тексеруіңізді сұраймыз. Егер қанат дай да бір сұрақтар туындайтын болса, Олдан міндетті түрде БЕКО қызмет көрсету орталығына хабарлауыңызды сұраймыз. Қызмет көрсету орталығының мекенжайы мен телефон нөмірлерін келіптіңіз талғоныңа берілген қошымалдан көре аласыз (Қазақстан Республикасы аумағында телефон соғу тегін). Осы келіптіңіз талғонымен БЕКО өзге де бұйымға кемшіліктер анықталған жағдайда, тұлғаның құқығын қорғау бойынша заңимен әрекет етілетін тұлғаның талаптарын қанағаттандыру бойынша өзін міндеттемелерді қабылдауын растайды. Алайда, БЕКО компаниясы тұлғаның төменде аталған талаптарды орындамаған жағдайда келіптіңізден, соңдай-ақ бұйымға тегін қызмет көрсетумен де тарту құқығын өзіне қалдырады. Келіптіңіз міндеттемелер мен тегін қызмет көрсету талаптары Тұлғанышылдардың құқықтарын қорғау жөніндегі заңнама аясында әрекет етеді.

Келіптіңіз міндеттемелер мен тегін қызмет көрсету талаптары:

1. Өндірушінің, келіптіңіз талаптары мен уәкілі етілген қызмет көрсету орталықтары ұсынатын тегін қызмет көрсету тек қана БЕКО моделдеріне сәйес алу және жүзеге асыру үшін КР елінің аумағына және КР мемлекетінің Мемлекеттік Стандартына сәйес сертифицициялаудан өткен мамлекеттерге таратылады.
2. Өндіруші БЕКО өнімдеріне төмендеп келтілдік мерзімін белгілейді: тіршілік техникасы: тұлғанышылға тасырыған күнінен бастап - 2 (екі) жыл. Өзге тұрмыстық техникаға, теледидарларға, аудио-видео және радио аппаратураларға, тұрмыста қолдануға арналған кондиционерлерге тұлғанышылға тасырыған күнінен бастап - 1 (бір) жыл.
3. Егер бұйымның құрал-жабдықтары оның құрылысынан алынуы және бұйымды белшектуге байланысты болмаса, төмендегі құрал-жабдықтарға келіптіңіз міндеттемелер таратылмайды.

Бұйымның барлық түрлері үшін:

- а) қышқан басқару пульттеріне, аккумуляторлы батареяларға, қоректендіу элементтеріне (батареяларға), қоректендіу блоктарының сыртқы бөліктеріне және қуат бергіш құрылымына;
- б) жалғыз кабельдерге, антенналарға және оларға арналған еткізгіштерге, құлаққаптарға, микрофондарға;
- в) бұйыммен бірге берілетін қалпақтар, белдіктерге, тасымалдауға арналған ширүлдер, монғажар, ды құрылымына, аспаптарға, құжаттарға;

Төмендегілерді қоса алғанда:

- а) Тосқауылшыларға: иіс сорғыштарға, ауа тазартқыштарға (биодеоздораторларға), сүзгілерге;
- б) Қысқа тоқпанды пештерге, табақшаларға, омақ ет қықпайтын ісіктерге, торларға, табақшаларға;
- в) Шаш сорғыштарға, түпкіртерге, шлангтерге, шөкшаларға, қондырғыларға, шаң жинағыштарға, сүзгілерге;
4. Кондиционерлерге, ауа тазартқыштарға, сүзгілерге;
4. Өндіруші мынадай жағдайларда бұйымға келіптіңіз бермейді, және тегін қызмет көрсетпейді: і) еке мұқтаждық үшін қажет болған бұйым (тұрмыстық отбасылық), өндірістік қызметтеді іске асыру үшін және оның негізгі апаратының қызметіне сәйес келмейтін басқа да мақсаттарда қолданған жағдайда;
- б) пайдалану әрекеттері мен талаптарын, пайдалану жөніндегі нұсқаулықта және бұйымды орнату жөніндегі нұсқаулықта жазылған талаптарды бұзған жағдайда;
- в) Егер бұйымға рұқсат етілмеген жөндеу жұмыстарының ізі анықталса;
- Г) бұйымның құрылысы мен сымсанында рұқсат етілмеген өзгерістер орын алса;
- Д) Егер ақау өсеріліссес күштің іс-әрекеті, шөк және жағдайлармен, тұлғанышылға немесе үшінші тұлғаның қасақана немесе абабасы іс-әрекетінің арқасында орын алса;
- е) Бұйымның ішіне басқа бір заттардың, сұйықтықтардың, шыбын-шіркейлердің түсіп кетуінен пайда болған зақымданулар табылса;
- ж) Тұлғанышыл саналмайтын шығын материалдарын қолдану Олдан автоматты түрде Өндіруші келіптіңізнен алырады.

5. Төмендегі жағдайларда бұйымға келіптіңіз міндеттемелер таратылмайды және тегін сервістік қызмет көрсетілмейді:

- а) Бұйымды тұлғанышыл тасырығаннан кейін пайда болған механикалық зақымдар;
- б) Қуат және телекоммуникациялық, кабельдік желілер параметрлерінің дұрыс жұмыс істеуі үшін (немесе стандарттарға сәйес келмейді) және осы сияқты өзге де сыртқы факторлардың салдарынан пайда болған бұзылулар;
- в) Стандарттарға сай келмейтін және (немесе) сапасыз шығыс материалдары, жабдықтар, қосалқы бөлшектер, қуат көзі элементтері, ақпаратты тасымалдаушылар қолданудан пайда болған бұзылулар;
6. Тұлғанышыл орын алған кемшіліктер жөнінде уақытлы (бір айда) нестам уақыт өткен жағдайда) хабарламаған жағдайда. Өндіруші тұлғанышыл талаптарын толық немесе ішінара қанағаттандыра алмай құқылы (ҚР АҚ 436-баббы).

Уажааеымй Покупатель!

Благодарим Вас за выбор изделия торговой марки БЕКО.

БЕКО устанавливает официальную срок службы на крупную бытовую технику 10 (десять) лет со дня передачи потребителю. На прочую бытовую технику, телевизоры, аудио-видео и радио аппаратуру, кондиционеры, предназначенные для использования в быту, устанавливается срок службы 5 (пять) лет, при условии соблюдения правил эксплуатации. Учитывая высокие качество, надежность и степень безопасности продукции БЕКО фактический срок эксплуатации может значительно превышать официальный. Вся продукция, предназначенная БЕКО для поставок в определенную страну, изготовлена с учетом условий эксплуатации этой страны. Чтобы убедиться в этом, просим Вас проверить наличие на изделии и упаковке официальных знаков соответствия. Если Вы обнаружили какие-либо проблемы, настоятельно рекомендуем Вам обратиться в уполномоченные сервисные центры БЕКО, адреса и телефоны которых Вы можете узнать из приложения к гарантийному талону. Данный гарантийный талон (взноск) подтверждает принятие на себя обязательств по удовлетворению требований потребителей, в случае обнаружения недостатков изделия. Однако БЕКО оставляет за собой право отказать как в гарантийном, так и бесплатном сервисном обслуживании изделия в случае несоблюдения изложенных ниже условий. Все условия гарантийных обязательств и бесплатного сервисного обслуживания действуют в рамках законодательства о защите прав потребителей.

Условия гарантийных обязательств и бесплатного сервисного обслуживания:

1. Гарантийные обязательства. Изготовителя и бесплатное сервисное обслуживание, предоставляемое уполномоченными сервисными центрами, изготовителя, распространяется только на модели, предназначенные БЕКО для поставок и реализации на территории РК, приобретенные на территории РК и прошедшие сертификацию на соответствие ГОСТам РК.
2. Изготовитель устанавливает следующие гарантийные сроки на изделия БЕКО: Крупная бытовая техника: 2 (два) года со дня передачи потребителю. Прочая бытовая техника, телевизоры: аудио-видео радио аппаратура, кондиционеры, предназначенные для использования в быту – 1 (один) год со дня передачи потребителю.
3. Гарантийные обязательства не распространяются на перечисленные ниже принадлежности изделия, если их замена предусмотрена конструкцией и не связана с разборкой изделия.

Для нас виды использования:

- а) на пульты дистанционного управления, аккумуляторные батареи, элементы питания (батареи), внешние блоки питания и зарядные устройства;
- б) соединительные кабели, антенны и принадлежности для них, наушники, микрофоны;
- в) чехлы, ремни, шнурки для переноски, монтажные приспособления, инструменты, документация, чехлы, прилагаемые к изделию.

Дополнительно для:

- а) холодильников, на полостителі запалов, очистителі воздуха (биодеоздораторы), фильтры;
- б) микроволновых печей: на тарелки, вертела, решетки, блюда;
- г) стиральных машин: на шланги, трубки, щетки, насадки, пылесборники, фильтры;
- д) кондиционеров, воздухоочистителей; фильтров;
4. Изготовитель не несет гарантийные обязательства и не производит бесплатное сервисное обслуживание изделия в случаях:

Производитель: "Arçelik A.S."

Karaağaç Caddesi No: 2-6 Sütlüce, 34445, Турция

Сделано в Китае

Импортер на Территории РФ/Уполномоченное изготовителем лицо: ООО «БЕКО»

Юридический адрес: 601021 Россия, Владимирская обл., Киржачский р-н, дер. Федоровское, ул. Сельская, д. 49

Дата изготовления включена в серийный номер, указанный на этикетке, расположенной на продукте, следующим образом:

Первые две цифры серийного номера обозначают год выпуска, а вторые две – месяц.

Например, «10-05-100001» означает, что продукт был произведен в мае 2010 года.

Алдымен осы пайдаланушы нұсқаулығын оқып шығыңыз!

Құрметті тұтынушы,

Осы Веко құрылғысын жөн көргеніңізге рахмет. Жоғары сапалы және заманауи технология арқылы өндірілген құрылғыңыздан ең жақсы нәтижелер аласыз деп үміттенеміз. Осы себепті, құрылғыны пайдалану алдында осы толық пайдаланушы нұсқаулығын және барлық басқа ілеспе құжаттарды мұқият оқып шығыңыз және болашақта пайдаланатын анықтама ретінде сақтаңыз. Құрылғыны басқа біреуге берсеңіз, пайдаланушы нұсқаулығын да беріңіз. Нұсқауларды орындаңыз, пайдаланушы нұсқаулығындағы бүкіл ақпарат пен ескертулерге көңіл бөліңіз.

Сондай-ақ бұл пайдаланушы нұсқаулығы басқа үлгілерге қатысты болуы мүмкін екенін есте сақтаңыз. Үлгілер арасындағы айырмашылықтар нұсқаулықта ашық түрде сипатталған.

Таңбалардың мағыналары

Осы пайдаланушы нұсқаулығының әртүрлі бөлімдерінде келесі таңбалар пайдаланылады:



Маңызды ақпарат және пайдалану туралы пайдалы кеңестер.



ЕСКЕРТУ: Өмір мен мүліктің қауіпсіздігіне қатысты қауіпті жағдайлар туралы ескертулер



ЕСКЕРТУ: Өрт қаупі туралы ескерту.



ЕСКЕРТУ: Ток соғуы туралы ескерту.



ЕСКЕРТУ: Ток соғуынан қорғау сыныбы.



1 Қауіпсіздік және қоршаған орта ралы маңызды нұсқаулар

1.1 Жалпы қауіпсіздік

Қауіпсіздік туралы маңызды нұсқаулар. Мұқият оқып шығып, болашақта анықтама алу үшін сақтап қйыңыз. Бұл бөлімде өрт, ток соғуы, шағын толқындардың әсері, жарақат алу немесе мүліктің зақымдалуы қауіпінен қорғауға көмектесетін қауіпсіздік туралы нұсқауларды қамтиды. Бұл нұсқауларды орындамау кез келген кепілдіктің күшін жояды.

- Веко өнімдері тиісті қауіпсіздік стандарттарының талаптарына сай; сондықтан, құрылғыда немесе қуат кабелінде кез келген зақым болған жағдайда, кез келген қауіпті болдырмау үшін оны дилер, сервистік орталық немесе маман және солар сияқты өкілетті сервис жөндеуі немесе ауыстыруы керек. Ақаулы немесе білікті емес жөндеу жү-

мысы қауіпті болуы және пайдаланушыға қауіп төндіруі мүмкін.

- Бұл құрылғы үйде және келесі сияқты ұқсас қолдану жағдайларында пайдалануға арналған:
 - Дүкендердегі, кеңселердегі және басқа жұмыс орталарындағы қызметкерлердің асүй аумақтары;
 - Ферма үйлері
 - Қонақ үйлердегі және басқа тұрмыстық түрге жататын орталардағы клиенттер;
 - Тамақ және таңғы ас түріне жататын орталар.
- Құрылғыны мақсатына сай, тек осы нұсқаулықта сипатталғандай пайдаланыңыз.
- Өндіруші өнімді тиісті емес орнату немесе дұрыс емес пайдалану нәтижесіндегі зақымдарға жауапты болмайды.

1 Қауіпсіздік және қоршаған орта ралы маңызды нұсқаулар

- Бұл құрылғыны 8 жастағы және одан асқан балалар және дене, сезім немесе ақыл-ой қабілеттері төмен, я болмаса тәжірибесі және білімі жоқ адамдар қадағалау астында немесе құрылғыны қауіпсіз жолмен пайдалану туралы нұсқаулар берілсе және қатысты қауіптерді түсінсе пайдалана алады.
 - Балаларға құрылғымен ойнауға рұқсат етпеу керек. Балалар таза лауды және пайдаланушылық техникалық қызмет көрсетуді қадағалаусыз орындамаулары керек.
 - Жанарғыдағы әзірлеу ыдыстарына арналған тірек беті және өнімнің ең төменгі бөлігі арасындағы ең аз қашықтық кемінде 65 см болуы керек.
 - Газ жанарғысын орнату туралы нұсқауларда үлкенірек қашықтық көрсетілген болса, мұны ескеру керек.
 - Желілік қуат көзі құрылғының зауыттық тақтайшасында берілген ақпаратқа сай екенін тексеріңіз.
 - Қуат кабелі немесе құрылғының өзі зақымдалған болса, құрылғыны ешқашан пайдаланбаңыз.
 - Қыспау, майыстырмау немесе үшкір жиектерге үйкемеу арқылы қуат кабелінің зақымын болдырмаңыз. Қуат кабелін ыстық беттерден және ашық жалыннан аулақ ұстаңыз.
 - Құрылғыны тек жерге қосылған розеткада пайдаланыңыз.
- ЕСКЕРТУ:** Орнату толығымен аяқталғанша құрылғыны желіге қоспаңыз.
- Құрылғыны ашаға әрқашан қол жеткізуге

1 Қауіпсіздік және қоршаған орта ралы маңызды нұсқаулар

болатындай орналастырыңыз.

- Ұзақ уақыт бойы жұмыс істесе, шамдарға тиемеңіз. Олар қолдарды күйдіруі мүмкін, өйткені олар ыстық болады.
- Құзіретті органдар қолданылған ауаны шығаруға қатысты белгілеген ережелерін сақтаңыз (бұл ескерту түтін тартқышсыз пайдалануға тиісті емес).
- Құрылғыны жанарғыға кәстрөлді, терең емес кәстрөлді, т.б. қойғаннан кейін қосыңыз. Әйтпесе, қатты жылу өнімнің кейбір бөліктерінде деформацияны тудыруы мүмкін.
- Кәстрөлді, терең емес кәстрөлді, т.б. алу алдында жанарғыны өшіріңіз.
- Жанарғыда ыстық майды қалдырмаңыз. Ыстық май бар терең емес кәстрөлдер өзіндік

тұтануға әкелуі мүмкін.

- Перделерге және қақпақтарға назар аударыңыз, өйткені қуырылған картоп сияқты тамақты әзірлеу кезінде май өртенуі мүмкін.
- Май сүзгісін кемінде ай сайын ауыстырып тұру керек. Көміртектік сүзгіні кемінде 3 ай сайын ауыстырып тұру керек.
- Өнімді пайдаланушы нұсқаулығына сай тазалау керек. Тазалау пайдаланушы нұсқаулығына сай орындалмаса, өрт қаупі болуы мүмкін.
- Ағымдағы сүзгінің орнына өртке төзімді емес сүзу материалдарын пайдаланбаңыз.
- Тек түпнұсқалық бөлшектерді немесе өндіруші ұсынған бөлшектерді пайдаланыңыз.
- Өнімді сүзгісіз қоспаңыз және өнім жұмыс істеп

1 Қауіпсіздік және қоршаған орта ралы маңызды нұсқаулар

тұрғанда сүзгілерді алмаңыз.

- Өрт басталған жағдайда, өнімнің және әзірлеу құрылғыларының қуатын өшіріңіз.
- Өрт басталған жағдайда, жалынды жабыңыз және өртті сөндіру үшін суды ешқашан пайдаланбаңыз.
- Өр тазалау алдында және құрылғы пайдаланылып жатпағанда, құрылғыны розеткадан ажыратыңыз.
- Электр жанарғыға арналған ауа сорғыш және электр тогынан басқа энергия түрінен жұмыс істейтін құрылғылар бір уақытта жұмыс істегенде, қоршаған ортадағы теріс қысым 4 Па (4 x 10 бар) мәнінен аспауы керек.
- Құрылғы пайдаланылып жатқан қоршаған ортада, бөлме жылытқышы сияқты майдан немесе газ-

дан жұмыс істеп жатқан құрылғылардың қолданылған ауасын толығымен оқшаулау керек немесе құрылғы герметикалық болуы керек.

- Түтін тартқышты жалғағанда, диаметрі 120 немесе 150 мм құбырларды пайдаланыңыз. Құбыр қосылымы мүмкіндігінше қысқа болуы және мүмкіндігінше азырақ буындары болуы керек.
- Тұншығу қаупі бар! Бүкіл орауыш материалдарын балалардан аулақ ұстаңыз.

САҚТЫҚ ЕСКЕРТУ:

Әзірлеу құрылғыларымен бірге пайдаланғанда қол жеткізуге болатын бөліктер қызуы мүмкін.

- Өнім шығысын басқа түтінді қамтитын ауа арналарына жалғамау керек.
- Электр жанарғыға арналған ауа сорғыш газбен

1 Қауіпсіздік және қоршаған орта ралы маңызды нұсқаулар

немесе басқа отындармен жұмыс істетінін құрылғылармен бір уақытта пайдаланылғанда, бөлмедегі желдету жеткіліксіз болуы мүмкін (бұл тек ауаны бөлмеге қайтадан шығаратын құрылғыларға қатысты емес болуы мүмкін).

- Өнімге қойылған заттар құлауы мүмкін. Өнімге ешбір заттарды қоймаңыз.
- Өнім астында фламбе жасамаңыз.

ЕСКЕРТУ: Ауа сорғышты орнату алдында қорғағыш үлдірлерді алыңыз.

- Жұмыс істеп тұрғанында ауа сорғыштың астында жоғары ашық жалындарды ешқашан қалдырмаңыз
- Пайдалану кезінде терең қуырма ыдыстарды үздіксіз бақылау керек: қызып кеткен май жануы мүмкін.

1.2 WEEE директивасының талаптарына сәйкестік және қоқыс өнімді қоқысқа лақтыру:

Бұл EU WEEE директивасының (2012/19/EU) талаптарына сай. Бұл өнімде қоқыс электр және электрондық жабдық (WEEE) жіктеу таңбасы бар.



Бұл таңба осы өнімді қызмет көрсету мерзімі аяқталғанда басқа тұрмыстық қоқыспен бірге қоқысқа лақтырмау керектігін көрсетеді.

Пайдаланылған құрылғыны электр және электрондық құрылғыларды қайта өңдеуге арналған ресми жинау орнына қайтару керек. Бұл жинау жүйелерін табу үшін жергілікті органдарға немесе өнім сатып алынған дүкенге хабарласыңыз. Өр отбасы ескі құрылғыны қалпына келтіруде және қайта өңдеуде маңызды рөл ойнайды. Пайдаланылған құрылғыны тиісті түрде қоқысқа лақтыру қоршаған ортаға және адамдардың денсаулығына ықтимал теріс салдарларды болдырмайды.

1.3 RoHS директивасының талаптарына сәйкестік

Сіз сатып алған өнім EU RoHS директивасының (2011/65/EU) талаптарына сай. Ол директивада көрсетілген зиянды және тыйым салынған материалдарды қамтымайды.

1 Қауіпсіздік және қоршаған орта ралы маңызды нұсқаулар

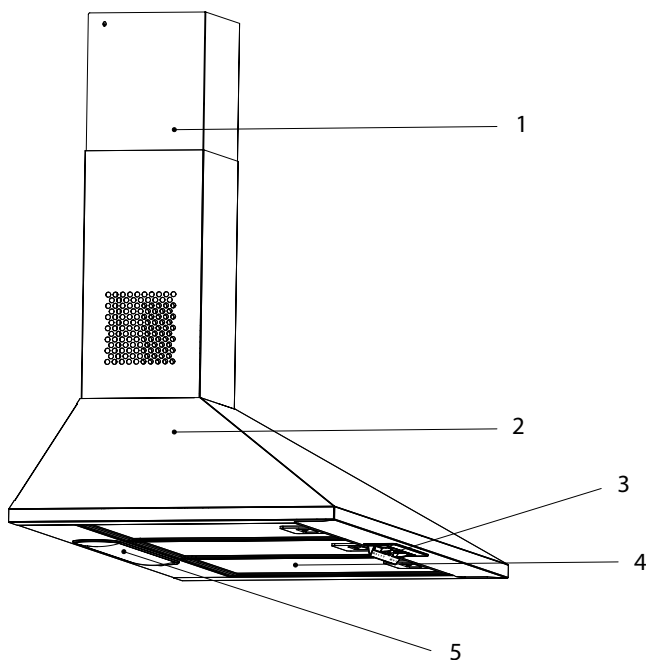
1.4 Орауыш туралы ақпарат



Өнімнің орауыш материалдары ұлттық қоршаған орта туралы ережелерге сай қайта өңдеуге болатын материалдардан өндірілген. Орауыш материалдарын тұрмыстық немесе басқа қоқыстармен бірге қоқысқа лақтырмаңыз. Оларды жергілікті органдар белгілеген орауыш материалдарды жинау орындарына апарыңыз.

2 Жалпы көрініс

2.1 Шолу




1. Мұржа
2. Дене
3. Басқару тақтасы
4. Май тұтқыш сүзгі
5. Жарықтандыру

2.2 Техникалық деректер

Үлгі	HCP61310I HCP61310IH HCP61310W HCP61310B	HCP91310I
Қуат кернеуі және жиілік	220-240 В ~ 50 Гц	
Шамның қуаты	2 x 3 Вт	
Қозғалтқыш қуаты	90 Вт	
Ағын жылдамдығы – 3. Деңгей	395 м³/сағ	
Мотордың оқшаулау сыныбы	F класы	
Оқшаулау сыныбы	II класы	

3 Құрылғыны пайдалану

3.1 Құрылғыны басқару

		
	0 1 2 3	0 1
* : Шамды қосу/ өшіру қосқышы	Шамды өшіру үшін шам қосқышын «0» күйіне қойыңыз. Шамды қосу үшін шам қосқышын «1» күйіне қойыңыз.	
⚙ : Мотор	Моторды өшіру үшін қозғалтқыш қосқышын (⚙) «0» күйіне қойыңыз. Пісіру буының қарқындылығына байланысты қозғалтқышты минимум 1 жылдамдық деңгейінде және максималды 3 жылдамдық деңгейінде іске қосуға болады.	

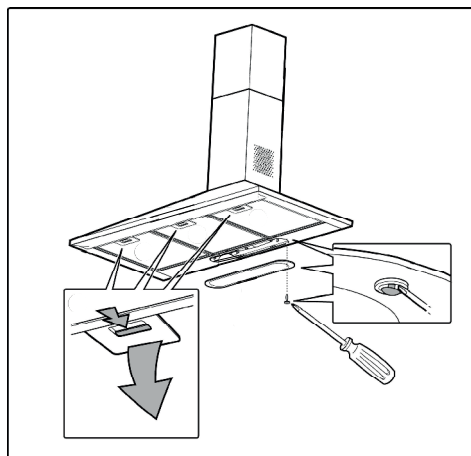
- Сорғыш ас үйдегі иистерді кетіру үшін тек үйде пайдалануға арналған.
- Сорғышты ешқашан ол әзірленгеннен басқа мақсаттарда пайдаланбаңыз.
- Сорғыш жұмыс істеп тұрғанда, оның астында ешқашан ашық жалын қалдырмаңыз.
- Жалынның қарқындылығын тек табаның астыңғы жағына бағыттау үшін реттеп, оның бүйірлерін жұтып алмағанына көз жеткізіңіз.
- Майлы қуырғыштарды пайдалану кезінде үздіксіз бақылау қажет: қызып кеткен май жанып кетуі мүмкін.

3.3 Энергияны тиімді пайдалану

- Құрылғыны пайдалану кезінде энергияны үнемдеу үшін жылдамдық параметрлерін бу мен иіс қарқындылығына сәйкес реттеңіз.
- Қалыпты жағдайда төмен жылдамдықты (1-2) және қарқынды иіс пен бу үшін жоғары жылдамдықты (3) пайдаланыңыз.
- Ас үй түтін сорғысындағы шамдар тамақ дайындау алаңын жарықтандыруға арналған.
- Шамдарды қоршаған ортаны жарықтандыру үшін пайдалану энергияның қажетсіз шығынына және жарықтың жеткіліксіздігіне әкеліп соғады.
- Құрылғыңыз қуатты азырақ тұтынсын десеңіз, оны жылдамдықтың төменгі деңгейінде жұмыс істетіңіз.
- Оған ауа жеткілікті түрде енетіндей жағдай жасасаңыз, құрылғыңыз тиімді жұмыс істеп, азырақ қуат тұтынады.
- Бу көп шығарын білсеңіз, бу пайда болмас бұрын құрылғыңызды сору қуаттылығының жоғары деңгейіне қойыңыз. Сонда құрылғыңызға ауа жеткілікті түрде енетіндіктен, оны аз ғана уақыт қолданып, тұтынылатын электр қуаты мөлшерін азайтасыз.
- Шығатын бу көлемін азайту үшін ыдыс қақпағын жауып қойыңыз.

3.2 Ас үй түтін сорғысын басқару

- Сіздің құрылғыңызда әртүрлі айналу жылдамдығы бар қозғалтқыш орнатылған.
- Өнімділікті арттыру үшін қалыпты жағдайда төмен жылдамдықты және күшті иістер мен қарқынды булану жағдайында жоғары жылдамдықты қолдануды ұсынамыз.
- Қажетті жылдамдықты орнату батырмасын басу арқылы құрылғыны іске қосуға болады. (1, 2, 3).
- Тамақ дайындау алаңын шамды басу арқылы жарықтандыруға болады.



3.4 Шамды ауыстыру



- Шамдарды ауыстырмас бұрын түтін шығарғыштың қуат көзін ажыратыңыз.
- Шамдарды ыстық кезде ұстамаңыз.
- Ауыстырылған шамды қолдарыңызбен тікелей ұстамаңыз.



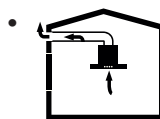
Сіз шамдарды өкілетті қызмет көрсету агенттерінен сатып ала аласыз.

Құрылғының электрлік қосылымдарын орындаңыз. Құрылғыңыз 3 Вт нүктелік жарықдиодты шаммен жабдықталған. Шамдарды ауыстыру үшін ұстағышты арт жағынан төмен қарай итеріп, сағат тіліне қарсы бұрап, төмен қарай шығарып алыңыз. Жаңа шамдарды орнату үшін жоғарыдағы әрекетті керісінше орындаңыз.

Шам	
Шам қуаты	3 Вт
Ұстағыш / Ұяшық	E14
Шам кернеуі	230 В
Көлем	D35x98 мм
ILCOS коды	DRGSB/C/UB-3/27/1B-230-E14-55
Жарық ағыны	320 лм
Корреляцияланған түс температурасы	2700 К

Бұл құрылғыда "Е" энергия тиімділік класына жататын жарық көзі бар.

3.5 Мұржаны қосу жұмыстары




Түтін ас үй сорғысындағы байланыс басына бекітілген түтін мұржасы арқылы шығарылады.

- Мұржаның диаметрі байланыстырушы сақинаның диаметріне сәйкес келуі керек. Көлденең қалыпта ауа

3 Құрылғыны пайдалану

бөлмеден оңай шығып кетуі үшін мұржа аздап жоғарыға (шамамен 10°) иілген болуы керек .

3.6 Мұржаны қоспай пайдалану

-  Ауа көміртек сүзгісі арқылы сүзіледі және бөлмеде қайта циркуляцияланады. Үйде мұржаны пайдалану мүмкін болмаған кезде көміртек сүзгісі

қолданылады.

- Мұржасыз пайдаланған кезде, мұржаның адаптерінің ішіндегі клапандарды алып тастаңыз.
- Май тұтқыш сүзгіні алып тастаңыз. Көмір сүзгісін орнату үшін сүзгіні желдеткіш корпусының екі жағындағы пластикалық бөліктің орталығына қарай бағыттап, шығыңқы жерлерге орнатыңыз. Оны оңға немесе солға бұру арқылы қатайтыңыз.
- Май тұтқыш сүзгіні ауыстырыңыз.

Тазалау және техникалық қызмет көрсету

Құрылғыны тұрақты түрде тазалап, күтіп ұстау керек. Құрылғы таза ұсталмаса, оның қызмет көрсету мерзімі кемиді. Тазалау мен күтімді нұсқаулықтағы кеңестерге сай жүргізіңіз.

Тек бейтарап сұйық жуғыш затпен суланған шүберекпен тазалаңыз. Құралдармен немесе аспаптармен тазаламаңыз. Абразивті өнімдерді пайдаланбаңыз. Алкогольді пайдалануға болмайды



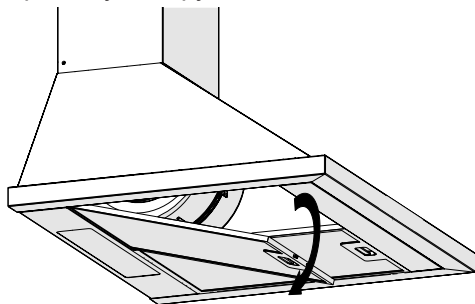
Тазалау және техникалық қызмет көрсету алдында құрылғыны розеткадан ажыратыңыз немесе түтін шығарғышқа қуат өткізетін сақтандырығышты босатыңыз.

4.1 Май тұтқыш сүзгіні тазалау

Бұл сүзгі ауадағы май бөлшектерін ұстайды. Май тұтқыш сүзгі жуылған сайын түсін өзгертуі мүмкін. Бұл қалыпты жағдай және май тұтқын сүзгіні ауыстыруды қажет етпейді.



Құрылғыны тазалауға және сүзгілерді ауыстыруға қатысты ережелерді сақтамау өрт қауіптерін тудыруы мүмкін. Сондықтан осында келтірілген нұсқауларды орындау ұсынылады. Өндіруші қозғалтқыштың зақымдалуына немесе тиісті емес пайдалану тудырған өрт үшін жауап бермейді.



4 Тазалау және техникалық қызмет көрсету

- Май тұтқыш сүзгіні алға қарай итеріңіз.
- Содан кейін оны сәл төмен тартып, шығарып алыңыз. Әйтпесе, сүзгіні майыстырып алуыңыз мүмкін. Май тұтқыш сүзгіні сұйық жуғыш затпен жуып, шайыңыз, жоғарыда көрсетілген әрекеттерді кері ретпен орындап, май ұстайтын сүзгіні ұяларына қойыңыз. Бұл сүзгі ауадағы май бөлшектерін ұстайды.
- Май тұтқыш сүзгіні орнатыңыз.



Май тұтқыш сүзгіні ыдыс жуғышта жууға болады.



АБАЙЛАҢЫЗ: Қалыпты жағдайда пайдалану кезінде сүзгіні айына бір рет тазалап тұрыңыз.

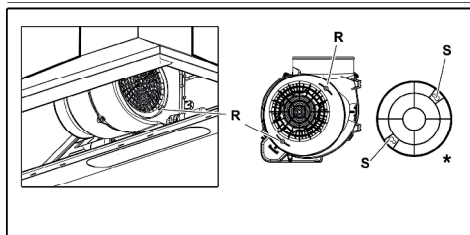


САҚТЫҚ ЕСКЕРТУ

- Көміртек сүзгіні ешқашан жууға болмайды.
- Көміртек сүзгілерді әр 3 ай сайын ауыстырып отырыңыз.
- Сіз көміртек сүзгіні уәкілетті қызмет көрсету орталықтарынан ала аласыз.

4.2 Көмір сүзгілерін ауыстыру

Иісті жоятын сүзгілердің құрамында көмір бар (белсендірілген көмір). Май тұтқыш сүзгіні көміртек сүзгілердің пайдаланылып-пайдаланылмайтына қарамастан өнімге орнату керек.



- Май тұтқыш сүзгіні алыңыз
- Көміртек сүзгіні алып тастау үшін көміртек сүзгіні қойындыдан сағат бағытына қарсы қарай айналдырып, орнынан алып тастаңыз.
- Жаңа көміртек сүзгіні орнатыңыз.

5 Құрылғыны орнату



ЕСКЕРТУ: Орнатуды бастамас бұрын, пайдаланушы нұсқаулығындағы қауіпсіздік туралы ақпаратпен танысыңыз.



Е С К Е Р Т У : Бұрандалармен және тұрақтандырғыштармен орнату кезінде осы нұсқаулықты орындамау электр тогының соғуына әкелуі мүмкін.

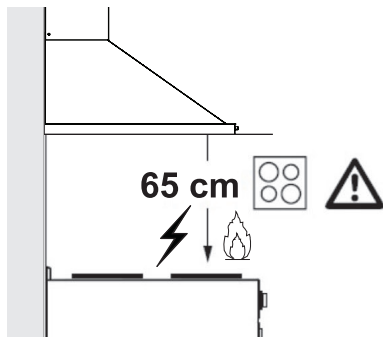


Орнату нұсқаулығын 137-беттен қараңыз.

Ас үй түтін сорғысын орнату үшін жақын жердегі уәкілетті қызмет көрсету орталығына хабарласыңыз.

Ас үй түтін сорғысын орнату және қуат көзіне қосу орнын дайындау жауапкершілігі тапсырыс берушіге жүктеледі.

5.1 Құрылғыны орналастыру



• Плита мен ас үй түтін сорғысының арасындағы арақашықтық орнатылғанға дейін ескерілуі керек.

Бұл арақашықтық 65 см-ді құрауы керек.

• Арақашықтық газ плиталарына арналған тор бетінен, электр плиталарына арналған шыны бетінен бастап өлшенуі тиіс.

5.2 Сақтау

• Егер ұзақ уақыт бойы пайдаланбайтын болсаңыз, құрылғыны дұрыс сақтауға қойыңыз.

• Құрылғы ажыратылғанын, суытылғанын және толығымен кептірілгенін тексеріңіз.

• Құрылғыны суық және құрғақ орында сақтаңыз.

• Құрылғыны балалар жетпейтін жерде ұстаңыз.

5.3 Қолдану және тасымалдау

• Қолдану және тасымалдау кезінде құрылғыны түпнұсқа орамында алып жүріңіз. Құрылғының қаптамасы оны физикалық зақымданудан қорғайды.

• Құрылғыға немесе қаптамаға ауыр жүк қоймаңыз. Құрылғы зақымдалуы мүмкін.

• Құрылғыны түсіріп алу оны жұмыс істемейді немесе тұрақты зақымдайды.

6 Ақаулықтарды жою

Ақаулықтарды жою	Себеп	Анықтама
Өнім жұмыс істемейді.	Сақтандырғышты тексеріңіз.	Сақтандырғыш жабық болуы мүмкін, оны қосыңыз.
Өнім жұмыс істемейді.	Электр қосылымды тексеріңіз.	Желілік кернеу 220-240 В арасында болуы керек.
Өнім жұмыс істемейді.	Электр қосылымды тексеріңіз.	Асүйдегі басқа өнімдер жұмыс істеп тұрғанын тексеріңіз.
Жарықтандыру шамы жұмыс істемейді.	Электр қосылымды тексеріңіз.	Желілік кернеу 220-240 В арасында болуы керек.
Жарықтандыру шамы жұмыс істемейді.	Шам ауыстырып-қосқышын тексеріңіз.	Шам ауыстырып-қосқышы қосулы күйінде болуы керек.
Жарықтандыру шамы жұмыс істемейді.	Ш а м д а р д ы тексеріңіз.	Өнім шамдары ақаулы болмауы керек.
Өнімнің ауа кірісі нашар.	Алюминий сүзгіні тексеріңіз.	Қалыпты жағдайларда алюминий май сүзгісін кемінде айына бір рет тазалау керек.
Өнімнің ауа кірісі нашар.	Түтіндікті тексеріңіз.	Түтіндік қосулы күйінде болуы керек.
Өнімнің ауа кірісі нашар.	Көміртектік сүзгіні тексеріңіз.	Көміртектік сүзгісі бар өнімдер үшін сүзгіні әдетте 3 ай сайын ауыстырып тұру керек.

- если изделие, предназначенное для личных (бытовых, семейных) нужд, использовалось для осуществления предпринимательской деятельности, а также в иных целях, не соответствующих его прямому назначению;
 - в случае нарушения правил и условий эксплуатации, установки изделия, изложенных в инструкции по эксплуатации и инструкции по установке;
 - если изделие имеет следы попытки неквалифицированного ремонта;
 - если дефект вызван изменением конструкции или схемы изделия, не предусмотренные изготовителем;
 - если дефект вызван действием непреодолимых сил, несчастными случаями, умышленными или неосторожными действиями потребителя или третьих лиц;
 - если обнаружены повреждения, вызванные попаданием внутрь изделия посторонних предметов, веществ, жидкостей, насекомых;
 - использование неоригинальных расходных материалов автоматически лишает Вас гарантии изготовителя.
5. Гарантийные обязательства и бесплатное сервисное обслуживание не распространяются на следующие недостатки изделия:
- механические повреждения, возникшие после передачи товара потребителю;
 - повреждения, вызванные несоответствием стандартам параметров питающих, телекоммуникационных, кабельных сетей и других подобных внешних факторов;
 - повреждения, вызванные использованием нестандартных и (или) некачественных расходных материалов, принадлежностей, запасных частей;
6. В случае несовершеного (стусия больше чем один месяц) извещения о выявленных недостатках изделия, изготовитель оставляет за собой право отказать полностью или частично от удовлетворения предъявляемых требований (ст. 436 ГК РК).

НАЗАР АУДАРЫҢЫЗДАР!

Уш контактілі желілік айыры бар бұйым, міндетті түрде, жерге тұйықталуы тиіс. **ВНИМАНИЕ!** Изделие, имеющее трехконтактную сетевую вилку, обязательно должно быть заземлено.

Қазақстан Республикасы аумағында өрекет етеді. Действует на территории Республики Казахстан.

Покупатель _____ Фамилия, Имя, Отчество	Покупатель _____ Фамилия, Имя, Отчество	Покупатель _____ Фамилия, Имя, Отчество
Адрес _____	Адрес _____	Адрес _____
Тел. _____	Тел. _____	Тел. _____
Дата ремонта _____	Дата ремонта _____	Дата ремонта _____
Серв. центр _____	Серв. центр _____	Серв. центр _____
Мастер _____	Мастер _____	Мастер _____
Фамилия, Имя, Отчество	Фамилия, Имя, Отчество	Фамилия, Имя, Отчество

Дата	Характер неисправности	Принятые меры

М.П. _____ Подпись ответственного лица _____



Қазақстан Республикасы аумағында өрекет етеді
Действует на территории Республики Казахстан

<http://www.beiko.ru>

Адрес: 109004, Россия, Москва, ул. Станиславского д.21, стр.1
Телефоны горячей линии **8-800-200-23-56**
(Звонок бесплатен на всей территории Республики Казахстан)

Гарантийный талон № _____

Модель _____	Серийный номер _____
Дата продажи _____	Дата установки _____
Компания _____	Компания _____
Подпись продавца _____	Подпись мастера _____
ПЕЧАТЬ	ПЕЧАТЬ

Покупатель _____ Фамилия, Имя, Отчество Телефон
Изделие проверилось в присутствии покупателя, Покупатель с условиями гарантии ознакомлен. Претензий к внешнему виду и комплектации не имею
Подпись Покупателя

! **Отрывные купоны гарантийного талона являются средством отчетности о выполнении сервисным центром гарантийных работ. Купон изымается из гарантийного талона после удовлетворения Ваших претензий.**





серия № _____	серия № _____	серия № _____
Дата продажи _____	Дата продажи _____	Дата продажи _____
ПЕЧАТЬ МАГАЗИНА	ПЕЧАТЬ МАГАЗИНА	ПЕЧАТЬ МАГАЗИНА

Құрметті Сатып алушы!

БЕКО сауда маркасының бұйымның тағдааныңыз үшін алғыс білдіреміз.

БЕКО ір тұрмыстық техникаға тұтынушы тасыған күннен бастап 10 (он) жыл ресми қызмет көрсету мерзімін бөлігеді. Өзге тұрмыстық техникаға, теледидарларға, аудио-видео және радио аппаратураларына, тұрмыста қолдануға арналған, кондиционерлерге пайдалану жөніндегі нұсқаулықты ұстанған жағдайда, 5 (бес) жыл ресми қызмет көрсету мерзімін бөлігеді. БЕКО өнімдерінің жағары сапасын, беріктігі мен құрапсіздік дәрежесін ескерсек, өнімнің қызмет мерзімі ресми пайдалану мерзімінен өтеуір ұзаарды. Белгілі бір мемлекетке сатуға арналған БЕКО өнім сол мемлекеттің пайдалану жөніндегі талаптарына негізделіп отырып жасалған. Осыған қаз жеткізу үшін бұйым мен бұйымның орнандырағы ресми белгілердің сәйкестігін тексеруіңізді сұраймыз. Егер қандай да бір сұрақтар туындайтын болса, Олдан міндетті түрде БЕКО қызмет көрсету орталығына хабарлауыңызды сұраймыз. Қызмет көрсету орталығының мекенжайы мен телефон нөмірлерін келіпдік талқылауны бірілген қоғамдастық ере аласыз (Қазақстан Республикасы аумағында телефон қоғу тегі). Осы келіпдік талқылаумен БЕКО өзге де бұйымда кемшіліктер анықталған жағдайда, тұтынушының құқығын қорғау бойынша заңимен әрекет етілетіні тұтынушы талаптарын қанағаттандыру бойынша өзін міндеттемелерді қабылдауын растайды. Алайда, БЕКО компаниясы тұтынушы төменде аталған талаптарды орындамаған жағдайда келіпдіктен, сондай-ақ бұйымға тегін қызмет көрсетумен де тарту құқығын өзіне қалдырады. Келіпдік міндеттемелер мен тегін қызмет көрсету талаптары Тұтынушылардың құқықтарын қорғау жөніндегі заңнама аясында әрекет етеді.

Келіпдік міндеттемелер мен тегін қызмет көрсету талаптары:

1. Өндірушінің, келіпдік талаптары мен уәкілі етілген қызмет көрсету орталықтары ұсынатын тегін қызмет көрсету тек қана БЕКО моделдеріне сәйкел алу және жүзеге асыру үшін КР елінің аумағына және КР мемлекетінің Мемлекеттік Стандартына сәйкес сертифицициялаудан өткен мамлекеттерге таратылады.
2. Өндіруші БЕКО өнімдеріне төмендеп келіпдік мерзімін бөлігеді: ір тұрмыстық техника: тұтынушыға тасыған күннен бастап - 2 (екі) жыл, Өзге тұрмыстық техникаға, теледидарларға, аудио-видео және радио аппаратураларға, тұрмыста қолдануға арналған кондиционерлерге тұтынушыға тасыған күннен бастап - 1 (бір) жыл.
3. Егер бұйымның құрал-жабдықтары оның құрылысынан алынуы және бұйымды бөлшектеуге байланысты болмаса, төмендегі құрал-жабдықтарға келіпдік міндеттемелер таратылмайды.

Бұйымның барлық түрлері үшін:

- а) қашықтан басқару пульттеріне, аккумуляторлы батареяларға, қоректендіу элементтеріне (батареяларға), қоректендіу блоктарының сыртқы бөліктеріне және қуат бергіш құрылымына;
- б) жалғызғаш кабельдерге, антенналарға және оларға арналған еткізгіштерге, құлаққаптарға, микрофондарға;
- в) бұйыммен бірге берілетін қалпақтар, бөлімдіктерге, тасымалдауға арналған ширүліктер, монтажды құрылыстарға, аспаптарға, құжаттарға;

Төмендегілерді қоса алғанда:

- а) Тұтынушыларға: иіс сорғыштарға, ауа тазартқыштарға (биодезодораторларға), сүзгілерге;
- б) Қысқа тоқимындағы пештерге, табықшаларға, омақ ет қықпайтын ісіктерге, торларға, табықшаларға;
- в) Шаш сорғыштарға, түпкіртерге, шлангтерге, шөкшаларға, қондырғыларға, шаң жинағыштарға, сүзгілерге;
4. Кондиционерлерге, ауа тазартқыштарға, сүзгілерге;
4. Өндіруші мынадай жағдайларда бұйымға келіпдік бермейді, және тегін қызмет көрсетпейді: і) еке мұқтаждық үшін қажет болған бұйым (тұрмыстық отбасылық), өндірістік қызметтеді іске асыру үшін және оның негізгі апаратынан қызметіне сәйкес келмейтін басқа да мақсаттарға қолданған жағдайда;
- б) пайдалану әрекеттері мен талаптарын, пайдалану жөніндегі нұсқаулықта және бұйымды орнату жөніндегі нұсқаулықта жазылған талаптарды бұзған жағдайда;
- в) Егер бұйымға рұқсат етілмеген жөндеу жұмыстарының ізі анықталса;
- Г) бұйымның құрылысы мен сымсанында рұқсат етілмеген өзгерістер орын алса.
- Д) Егер ақау өсірілімсіз күштің іс-әрекеті, сөйек, және жағдайлармен, тұтынушының немесе үшінші тұлғаның қасақана немесе абабасы іс-әрекетінің арқасында орын алса;
- е) Бұйымның ішіне басқа бір заттардың, сұйықтықтардың, шыбын-шіркейлердің түсіп кетуінен пайда болған зақымданулар табылса;
- ж) Тұтынушы болып саналмайтын шығын материалдарын қолдану Олдан автоматты түрде Өндіруші келіпдік пен алырады.

5. Төмендегі жағдайларда бұйымға келіпдік міндеттемелер таратылмайды және тегін сервістық қызмет көрсетілмейді:

- а) Бұйымды тұтынушы тасығаннан кейін пайда болған механикалық зақымдар;
- б) Қуат және телекоммуникациялық, кабельдік желілер параметрлерінің дұрыс жұмыс істеуі (және немесе) стандарттарға сәйкес келмеуі) және осы сияқты өзге де сыртқы факторлардың салдарынан пайда болған бұзылулар;
- в) Стандарттарға сай келмейтін және (немесе) сапасыз шығыс материалдары, жабдықтар, қосалқы бөлшектер, қуат көзі элементтері, ақпаратты тасымалдаушылар қолданудан пайда болған бұзылулар.
6. Тұтынушы орын алған кемшіліктер жөнінде уақытлы (бір айда) нестасыз уақыт өткен жағдайда) хабарламаған жағдайда. Өндіруші Тұтынушының талаптарын толық немесе ішінара қанағаттандыра алмауы кұқылы (ҚР АҚ 436-баббы).

Уважаемый Покупатель!

Благотворный Вас за выбор изделия торговой марки БЕКО.

БЕКО устанавливает официальную срок службы на крупную бытовую технику 10 (десять) лет со дня передачи потребителю. На прочую бытовую технику, телевизоры, аудио-видео и радио аппаратуру, кондиционеры, предназначенные для использования в быту, устанавливается срок службы 5 (пять) лет, при условии соблюдения правил эксплуатации. Учитывая высокие качество, надежность и степень безопасности продукции БЕКО фактический срок эксплуатации может значительно превышать официальный. Вся продукция, предназначенная БЕКО для поставок в определенную страну, изготовлена с учетом условий эксплуатации этой страны. Чтобы убедиться в этом, просим Вас проверить наличие на изделии и упаковке официальных знаков соответствия. Если у Вас возникнут какие-либо проблемы, настоятельно рекомендуем Вам обратиться в уполномоченные сервисные центры БЕКО, адреса и телефоны которых Вы можете узнать из приложения к гарантийному талону или по телефону горячей линии (звонок бесплатный на всей территории Республики Казахстан). Данное гарантийное талончик (звонок подтверждает принятие на себя обязательств по удовлетворению требований потребителя, в случае обнаружения недостатков изделия. Однако БЕКО оставляет за собой право отказать как в гарантийном, так и бесплатном сервисном обслуживании изделия в случае несоблюдения изложенных ниже условий. Все условия гарантийных обязательств и бесплатного сервисного обслуживания действуют в рамках законодательства о защите прав потребителей.

Условия гарантийных обязательств и бесплатного сервисного обслуживания:

1. Гарантийные обязательства. Изготовителя и бесплатное сервисное обслуживание, предоставляемое уполномоченными сервисными центрами, изготовителя, распространяется только на модели, предназначенные БЕКО для поставок и реализации на территории РК, приобретенные на территории РК и прошедшие сертификацию на соответствие ГОСТам РК.
2. Изготовитель устанавливает следующие гарантийные сроки на изделия БЕКО: Крупная бытовая техника: 2 (два) года со дня передачи потребителю. Прочая бытовая техника, телевизоры, аудио-видео радио аппаратура, кондиционеры, предназначенные для использования в быту – 1 (один) год со дня передачи потребителю.
3. Гарантийные обязательства не распространяются на перечисленные ниже принадлежности изделия, если их замена предусмотрена конструкцией и не связана с разборкой изделия.

Для нас виды использования:

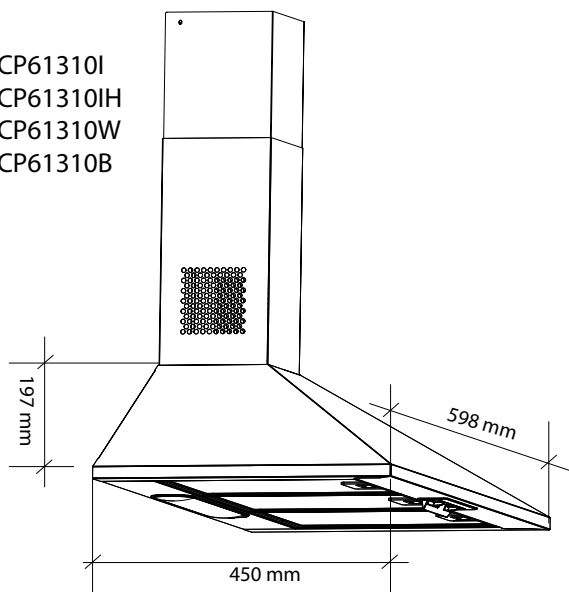
- а) на тульыштық диспетчерлік үйрәкәли, аккумуляторлы батарея, элементлі пітаня (батарея), шешілетінше кабелі, антенна және сервістық для них, наушники, микрофоны;
- б) шешілетінше кабельдерге, антенналарға және оларға арналған еткізгіштерге, құлаққаптарға, микрофондарға;
- в) бұйыммен, ширүлі, шлангтерге, шөкшаларға, қондырғыларға, шаң жинағыштарға, сүзгілерге, құлаққаптарға, аспаптарға, құжаттарға;

Дополнительно для:

- а) холодильники, на поглотители запаха, очистители воздуха (биодезодораторы), фильтры;
- б) микроволновых печей: на тарелки, вращае, решетки, блюда;
- г) стиральные машин: на шланги, трубки, щетки, насадки, пылесборники, фильтры;
- д) кондиционеры, воздухоочистители; на фильтры, шланги подвода/слива воды;
4. Изготовитель не несет гарантийные обязательства и не производит бесплатное сервисное обслуживание изделия в случаях:

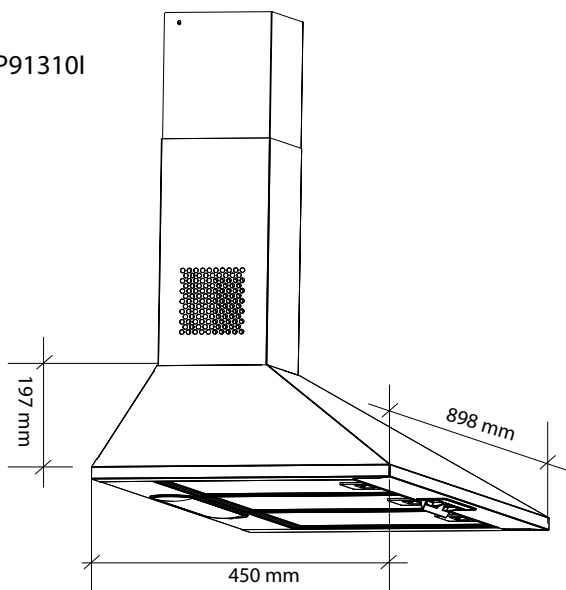
60 cm

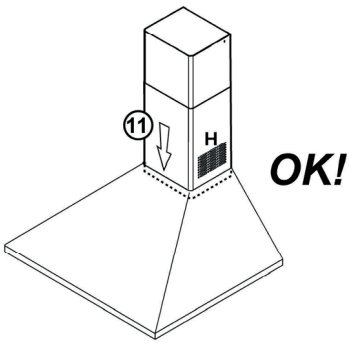
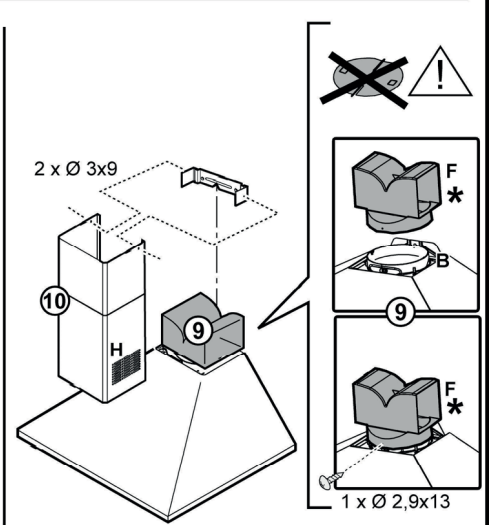
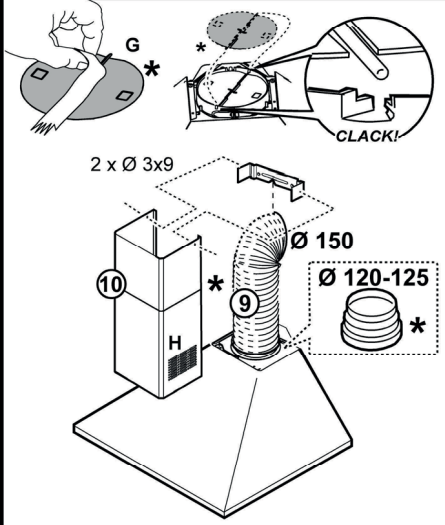
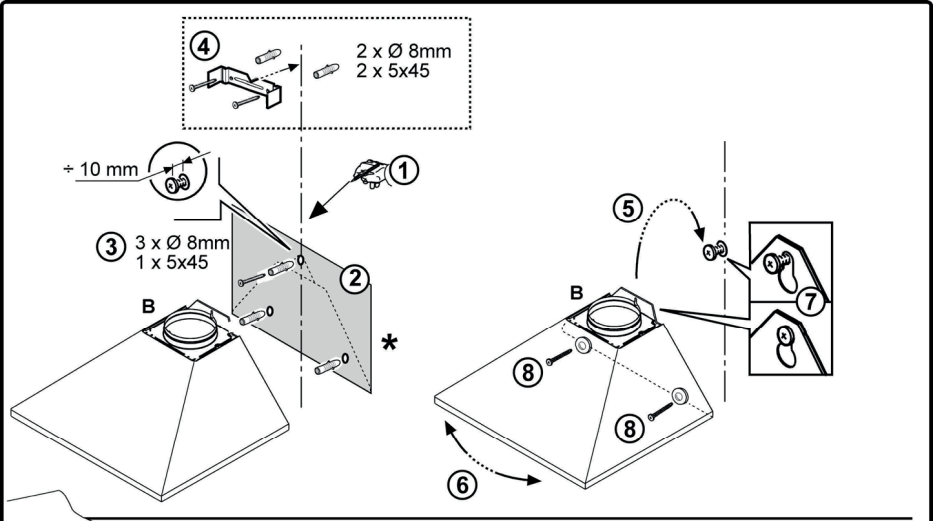
HCP61310I
HCP61310IH
HCP61310W
HCP61310B



90 cm

HCP91310I





Arçelik A.Ş.
Karaağaç Caddesi No: 2-6, 34445,
Sütlüce, İstanbul, Türkiye

www.beko.com

مساعدة	السبب	استكشاف الأخطاء وإصلاحها
قد يكون المصهر مغلقًا، اجعله يعمل.	افحص المصهر الخاص بك.	المنتج لا يعمل.
يجب أن يتراوح جهد المأخذ الكهربائي ما بين 220-240 فولط.	افحص الوصلة الكهربائية.	المنتج لا يعمل.
تحقق مما إذا كانت الأجهزة الأخرى الموجودة في مطبخك تعمل أم لا.	افحص الوصلة الكهربائية.	المنتج لا يعمل.
يجب أن يتراوح جهد المأخذ الكهربائي ما بين 220-240 فولط.	افحص الوصلة الكهربائية.	لمبة الإنارة لا تعمل.
يجب أن يكون مفتاح اللمبة في وضع التشغيل "ON".	افحص مفتاح اللمبة.	لمبة الإنارة لا تعمل.
ينبغي ألا تكون لمبات الجهاز معيبة.	افحص اللمبات.	لمبة الإنارة لا تعمل.
يجب تنظيف فلتر الزيت الألومنيوم مرة واحدة على الأقل كل شهر في الظروف العادية.	افحص الفلتر الألومنيوم.	الهواء الداخل إلى الجهاز ضعيف.
يجب أن يكون مصرف فتحة التهوية في وضع التشغيل "ON".	افحص مصرف فتحة التهوية.	الهواء الداخل إلى الجهاز ضعيف.
بالنسبة للأجهزة التي تحتوي على فلاتر كربون، يجب تغيير الفلتر عادة كل 3 أشهر.	افحص فلتر الكربون.	الهواء الداخل إلى الجهاز ضعيف.

- يرجى التأكد من نزع قابس الجهاز، وتركه ليبرد ويجف تماماً.
- عليك تخزين الجهاز في مكان بارد وجاف.
- حافظ على الجهاز بعيداً عن متناول أيدي الأطفال

5.3 التعامل والنقل

- أثناء التعامل والنقل فقم بحمل الجهاز في عبوتها الأصلية. الهدف من عبوة تغليف الجهاز هو حمايته من أي أضرار مادية.
- لا تضع أحمالاً ثقيلة على الجهاز أو العبوة. يمكن أن يتعرض الجهاز للتلف.
- يؤدي إسقاط الجهاز إلى عدم صلاحيته للتشغيل أو يتسبب في إلحاق أضرار دائمة.

تحذير: قبل بدء التثبيت، اقرأ معلومات الأمان الموجودة في دليل المستخدم.



تحذير: قد يؤدي عدم التثبيت بالمسامير والمثبتات وفقاً لهذه التعليمات إلى التعرض للصعق بالكهرباء.

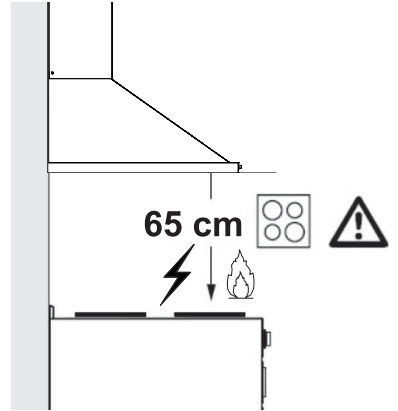


يرجى الرجوع إلى صفحة 137 للحصول على دليل التثبيت



لتركيب الشفاط، يرجى الاتصال بأقرب خدمة معتمدة.
يتحمل العميل مسؤولية إعداد الموقع والتركيب الكهربائي للشفاط.

5.1 موضع الجهاز



- يجب مراعاة المسافة بين البوتاجاز ومدخنة الموقد قبل التجميع. يجب أن تكون هذه المسافة 65 سم .
- يجب قياس المسافة من سطح الشبكة الخاصة بأفران الغاز، من سطح الزجاج للمواقد الكهربائية.

5.2 التخزين

- إذا لم تخطط لاستخدام الجهاز لفترة طويلة من الوقت، يرجى تخزينه بعناية.

المصنوعة من الألمونيوم في مأخذها عن طريق تنفيذ الخطوات المحددة أعلاه بترتيب عكسي. يمتص هذا المرشّح جزيئات الزيت من الهواء.

يجب تنظيف الجهاز وصيانته بانتظام. فعدم الحفاظ على نظافة الجهاز سيؤثر سلبيًا على مدة عمل الجهاز. للتنظيف والصيانة، اتبع التعليمات المذكورة في الدليل.

يمكنك غسل مرشحات الشحوم المصنوعة من الألمنيوم في غسالة الأطباق.



قبل التنظيف والصيانة، افصل المنتج أو أوقف تشغيل المفتاح.



تنبيه: في حالة الاستخدام العادي، نظف المرشّح مرة واحدة في الشهر.



قد يؤدي عدم اتباع تعليمات تنظيف الجهاز واستبدال الفلاتر إلى خطر نشوب حريق. لذلك، يوصى باتباع الإرشادات المذكورة هنا. الشركة المُصنّعة غير مسؤولة عن الأضرار التي تلحق بالمحرك أو الحرائق الناتجة عن الاستخدام غير السليم.



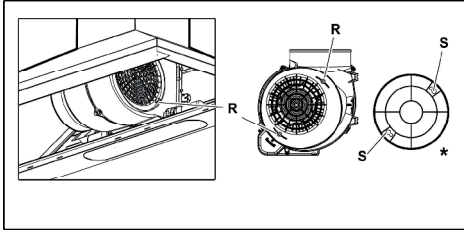
4.2 استبدال مرشحات الكربون

تحتوي مرشحات إزالة الرائحة على الفحم (الكربون النشط). يجب تركيب مرشحات الشحوم على الجهاز حتى في حال عدم استخدام مرشح الفحم.

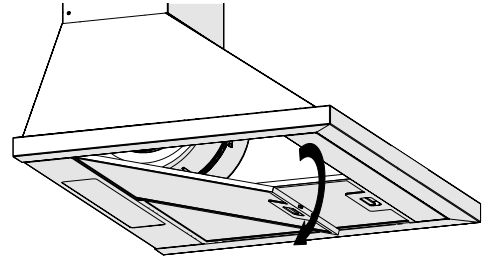
نظف الشفاط باستخدام قطعة قماش مبللة ومنظف سائل محايد.

4.1 تنظيف مرشح الشحوم المصنوع من الألمونيوم

يتمص هذا المرشّح جزيئات الزيت من الهواء. قد يتغير لون مرشحات الشحوم المصنوعة من الألمنيوم عند غسلها؛ هذا أمر طبيعي ولا يتطلب استبدال مرشحات الشحوم المصنوعة من الألمنيوم.



- قم بإزالة مرشح الشحوم المصنوع من الألمنيوم.
- قم بإزالة الفلتر عن طريق تحويل المسامير من المستوى S إلى المستوى R في اتجاه عقارب الساعة.
- قم ببتثبيت الفلتر الجديد عن طريق تنفيذ الإجراء أعلاه بترتيب عكسي.
- قم بتركيب مرشح الشحوم المصنوع من الألمنيوم.



- ادفع قفل مرشح شحوم الألمونيوم للأمام.
- ثم اسحبه لأسفل قليلاً واسحبه للخارج. أو يمكنك ثني المرشّح بدلاً من ذلك. اغسل واشطف مرشحات الشحوم المصنوعة من الألمنيوم بالمنظفات السائلة واستبدل مرشحات الشحوم

تنبيه

- يحظر غسل مرشح الكربون نهائيًا.
- استبدل مرشحات الكربون مرة كل 3 أشهر.
- يمكنك الحصول على مرشح الكربون من مراكز الخدمة المعتمدة.



V 230	جهد المصباح
D35x98mm	الحجم
DRGSB/C/UB-3/27/1B-230-E14-55	كود ILCOS
Im 320	فيض ضوئي
K 2700	درجة حرارة اللون المترابطة

3.4 استبدال المصباح

- قبل استبدال المصابيح الكهربائية، أفضل مصدر الطاقة عن الشفط.
- لا تلمس المصابيح عندما تكون ساخنة.
- احرص على عدم لمس المصباح المستبدل باليد مباشرة.



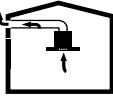
يحتوي هذا المنتج على مصدر ضوء من فئة كفاءة الطاقة "E".

يمكنك شراء المصابيح من وكلاء الخدمة المعتمدين.



3.5 التشغيل مع توصيل المداخن

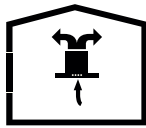
يتم استخراج البخار من خلال مجرى المداخن، والذي يتم تثبيته برأس التوصيل الموجود على الشفط.



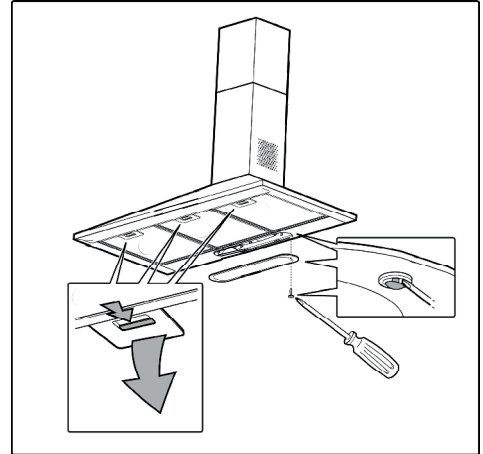
- يجب أن يكون قطر مجرى المداخن هو نفس حلقة التوصيل. في الإعدادات الأفقية، يجب أن يكون للأنبوب ميل طفيف إلى الأعلى (حوالي 10 درجات) حتى يتمكن الهواء من الخروج من الغرفة بسهولة.


3.6 التشغيل بدون توصيل المداخن

يتم تنقية الهواء من خلال مرشح الكربون وإعادة تدويره في الغرفة. يتم استخدام مرشح الكربون عندما يكون من المستحيل استخدام مداخن في المنزل.



- في حالة الاستخدام غير المائي، قم بإزالة اللوحات الموجودة داخل محول المداخن.
- فك مرشح الشحوم. لتركيب مرشح الكربون، ثبت المرشح على الألسنة عن طريق توسيطه على قطعة بلاستيكية على جانبي جسم المروحة. شدها بالتحول إلى اليمين أو اليسار.
- استبدل مرشح الشحم المصنوع من الألومنيوم.



	مصباح
W 3	طاقة المصباح
E14	الحامل/ المقبس

3.1 استخدام المفتاح المتأرجح

يكون الشفاط مزودًا بخاصية التحكم الميكانيكي.

	
0 1 2 3	0 1
لإيقاف تشغيل المصباح ، اضبط مفتاح المصباح على الوضع "0". لتشغيل المصباح ، اضبط مفتاح المصباح على الوضع "1".	
لإيقاف تشغيل المحرك ، اضبط مفتاح المحرك (☼) على الوضع "0". يمكنك تشغيل المحرك على مستوى السرعة 1 والحد الأقصى عند مستوى السرعة 3 حسب كثافة بخار الطهي.	

- صُمم غطاء الشفاط خصيصاً للاستخدام المنزلي للتخلص من الروائح التي تنبعث من المطبخ.
- تجنب تمامًا استخدام الغطاء لأي أغراض أخرى غير التي صُمم من أجلها.
- تجنب تمامًا ترك أسنة اللهب المكشوفة العالية أسفل الغطاء أثناء تشغيله.
- اضبط شدة اللهب لتوجيهه إلى قاع المقلاة فقط، مع التأكد من عدم وصوله إلى الجوانب.
- ينبغي مراقبة فلابات الدهون العميقة باستمرار أثناء استخدامها: نظرًا لإمكانية اشتعال الزيت الساخن بشدة ونشوب أسنة لهب.

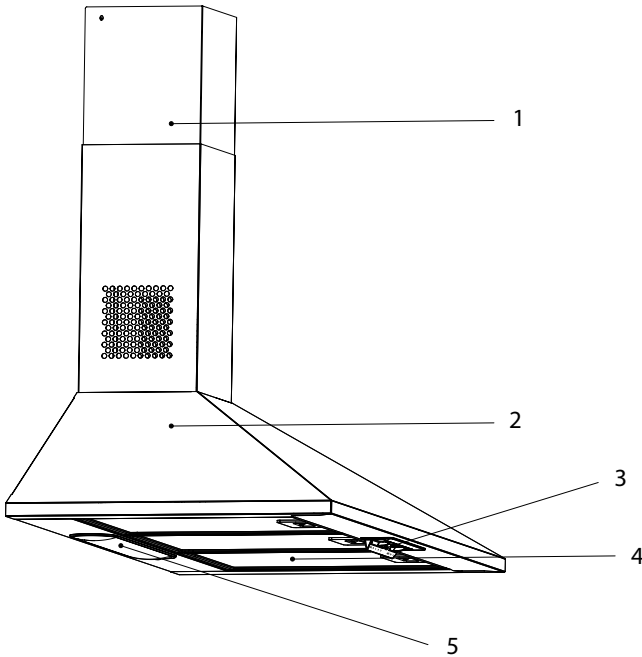
3.2 الاستخدام الفعال من حيث توفير الطاقة

- عند استخدام الجهاز، اضبط إعدادات السرعة طبقًا لكثافة الدخان والرائحة لتوفير الطاقة.
- استخدم السرعتين المنخفضتين (1-2) في الظروف الطبيعية، والسرعة العالية (3) في حالة وجود رائحة قوية ودخان كثيف.
- تستخدم المصابيح على الشفاط لإنارة منطقي الطهي.
- إن استخدامها لإنارة المكان يتسبب بالاستهلاك غير اللازم للطاقة والإنارة غير الكافية.
- حتى يستهلك الجهاز طاقة أقل، شغله على مستوى سرعة منخفض.
- سيقبل الجهاز من استهلاك الطاقة لأنه سيعمل بكفاءة أكبر عندما توفر كمية هواء كافية له.
- اضبط الجهاز على مستوى قوة شفط مكثف قبل تكون البخار، وذلك في الحالات التي تعلم فيها أنه سيكون هناك بخار كثيف. وهكذا، فإنك تقلل من استهلاك الطاقة باستخدام الجهاز لفترة أقصر حيث ستوفر كمية هواء كافية له.
- أبقِ أغطية أواني الطهي مغلقة لتقليل البخار المتصاعد.

3.3 تشغيل الشفاط

- يكون الشفاط مزودًا بمحرك به العديد من إعدادات السرعة.
- وللحصول على الأداء الأمثل، نوصيك باستخدام السرعات المنخفضة في الحالات العادية واستخدام السرعات العالية عندما تشتد الروائح والأبخرة.
- يمكنك تشغيل الشفاط بالضغط على مفتاح مستوى السرعة المرغوبة.
- يمكنك إنارة منطقة الطهي بالضغط على مفتاح المصباح.

2.1 نظرة عامة



2.2 المواصفات الفنية

1. المدخنة
2. جسم
3. أزرار التحكم
4. فلاتر الشحوم الألومنيوم
5. الإضاءة

HCP91310I	HCP61310I HCP61310IH HCP61310W HCP61310B	الطراز
220-240 فولط ~ 50 هيرتز		الجهد الكهربائي والتردد
2x3 وات		طاقة المصباح
90 وات		طاقة المحرك
395 م ³ / س		تدفق الهواء - 3. المستوى
فئة F		فئة عزل المحرك
فئة II		فئة العزل

الأجهزة الكهربائية والإلكترونية. للعثور على أنظمة التجميع هذه، يُرجى الاتصال بالهيئات المحلية المعنية لديك أو بائع التجزئة الذي اشتريته منه المنتج. تؤدي كل أسرة دورًا مهمًا في استعادة الأجهزة القديمة وإعادة تدويرها. ويساعد التخلص المناسب من الأجهزة المستخدمة في منع العواقب السلبية المحتملة على البيئة وصحة الإنسان.

1.3 الامتثال لتوجيه RoHS (الحد من المواد الخطرة)

يتوافق المنتج الذي اشتريته مع توجيه الحد من المواد الخطرة (EU/2011/65) للاتحاد الأوروبي. فهو لا يحتوي على مواد ضارة ومحظورة محددة في التوجيه.

1.4 معلومات التعبئة والتغليف

صُنعت مواد تعبئة المنتج وتغليفه من مواد قابلة لإعادة التدوير وفقًا للوائح التنظيمية البيئية الوطنية المعمول بها لدينا. تجنب التخلص من مواد التعبئة والتغليف مع النفايات المنزلية أو النفايات الأخرى. بل سلمهم إلى نقاط تجميع مواد التعبئة والتغليف المحددة من قبل الهيئات المحلية.



عند استخدام غطاء الموقد الكهربائي في آن واحد مع الأجهزة التي تعمل بالغاز أو أنواع الوقود الأخرى (قد لا ينطبق ذلك على الأجهزة التي لا تُفرغ سوى الهواء مرة أخرى إلى الغرفة).

• قد تسقط الأشياء التي تُوضع على المنتج. لذا تجنب وضع أي أشياء عليه.

• تجنب إشعال أي لهب أسفل المنتج.
• تحذير: أزل الأغشية الواقية قبل تثبيت الغطاء.

• تجنب تمامًا ترك ألسنة اللهب المكشوفة العالية أسفل الغطاء أثناء تشغيله

• ينبغي مراقبة قلايات الدهون العميقة باستمرار أثناء استخدامها: نظرًا لإمكانية اشتعال الزيت الساخن بشدة ونشوب ألسنة لهب.

1.2 الامتثال لتوجيه WEEE (نفايات الأجهزة الكهربائية والإلكترونية) والتخلص من نفايات المنتج:

يتوافق هذا المنتج مع توجيه نفايات الأجهزة الكهربائية والإلكترونية (EU/2012/19) للاتحاد الأوروبي. يحظى هذا المنتج بتصنيف رمز لنفايات الأجهزة الكهربائية والإلكترونية (WEEE).

يُشير هذا الرمز إلى أنه ينبغي عدم التخلص من هذا المنتج مع النفايات المنزلية الأخرى في نهاية عمره التشغيلي. ينبغي إعادة الجهاز المُستخدَم إلى نقطة تجميع رسمية لإعادة تدوير



• أفضل الجهاز قبل كل عملية تنظيف وعند عدم استخدامه.

• ينبغي ألا يتجاوز الضغط السلبي في البيئة 4 باسكال (4 × 10 بار) بينما يعمل الغطاء الخاص بالموقد الكهربائي والأجهزة على نوع آخر من الطاقة ولكن تعمل الكهرباء في الوقت نفسه.

• في البيئة التي يُستخدَم فيها الجهاز، ينبغي أن يكون عادم الأجهزة التي تعمل بزيوت الوقود أو الغاز، مثل مدفأة الغرفة، معزولاً تماماً أو يجب أن يكون الجهاز من النوع محكم السد.

• عند توصيل المداخل، استخدم أنابيب يبلغ قطرها 120 أو 150 مم. وينبغي تقصير مسافة توصيل الأنابيب قدر الإمكان واستخدام أقل عدد ممكن من الأكواع.

• **خطر الاختناق!** احتفظ بجميع مواد التعبئة والتغليف بعيداً عن متناول الأطفال.

تنبيه: قد تصبح الأجزاء التي يمكن الوصول إليها ساخنة عند استخدامها مع أجهزة الطهي.

• ينبغي عدم توصيل مخرج المنتج بقنوات الهواء التي ينبعث منها دخان آخر.

• قد تكون تهوية الغرفة غير كافية

- تجنب استخدام الجهاز تمامًا في حالة تلف كابل الطاقة أو الجهاز نفسه.
- تجنب تلف كابل الطاقة من خلال عدم الضغط عليه أو ثنيه أو التسبب في احتكاكه بالحواف الحادة. حافظ على كابل الطاقة بعيدًا عن الأسطح الساخنة واللهب المكشوف.
- لا تستخدم الجهاز سوى مع مقبس كهربائي مؤرض.
- تحذير: تجنب توصيل الجهاز بمصدر إمداد الطاقة الرئيسي قبل أن يتم تثبيته تمامًا.
- ضع الجهاز بطريقة تتيح الوصول إلى القابس بسهولة دائمًا.
- تجنب لمس المصابيح في حالة إضاءتها لفترة طويلة. فقد تنتسب في إصابة يديك بحروق لأنها ستكون ساخنة.
- اتبع اللوائح التنظيمية التي حددتها الهيئات المختصة بخصوص تفرغ هواء العادم (لا ينطبق هذا التحذير على الاستخدام بدون مداخن).
- شغل جهازك بعد وضع المقلاة والوعاء وما إلى ذلك على الموقد. وإلا، قد تؤدي الحرارة المرتفعة إلى حدوث تشوه في بعض أجزاء منتجك.
- أوقف تشغيل الموقد قبل رفع المقلاة والوعاء وما إلى ذلك من فوقه.
- تجنب ترك الزيت الساخن على الموقد. فقد تؤدي المقالي التي تحتوي على زيت ساخن إلى حدوث اشتعال ذاتي.
- يرجى الانتباه إلى الستائر والأغطية لديك نظرًا لإمكانية اشتعال الزيت أثناء طهي الأطعمة مثل البطاطس المقلية.
- يلزم استبدال مرشح الشحوم شهريًا على الأقل. يلزم استبدال المرشح الكربوني كل 3 أشهر على الأقل.
- ينبغي تنظيف المنتج وفقًا لدليل المُستخدِم. لأنه في حالة عدم تنظيفه وفقًا لدليل المُستخدِم، قد يكون هناك ثمة خطر من نشوب حريق.
- تجنب استخدام مواد تصفية غير مقاومة للحريق بدلًا من المرشح الحالي.
- لا تستخدم سوى الأجزاء الأصلية أو الأجزاء التي أوصت بها الشركة المصنعة.
- تجنب تشغيل المنتج بدون المرشح وتجنب إزالة المرشحات أثناء تشغيل المنتج.
- أوقف تشغيل منتجك وأجهزة الطهي الأخرى في حالة اندلاع أي لهب.
- في حالة اندلاع أي لهب، يرجى تغطيته وتجنب استخدام الماء في عملية الإطفاء تمامًا.

1.1 السلامة العامة

- بيئات المبيت والإفطار.
- لا تشغل الجهاز سوى للغرض المخصص له كما هو موضح في هذا الدليل.
- لا يمكن تحميل الشركة المصنعة مسؤولية الأضرار الناجمة عن التثبيت غير الصحيح للمنتج أو سوء استخدامه.
- يمكن للأطفال الذين تتراوح أعمارهم بين 8 سنوات وما فوق والأشخاص ذوي القدرات الجسدية أو الحسية أو العقلية المحدودة أو الذين يعانون من نقص في الخبرة والمعرفة استخدام هذا الجهاز في حالة الإشراف عليهم أو منحهم التعليمات المتعلقة باستخدام الجهاز بطريقة آمنة وفهمهم للمخاطر المرتبطة به.
- ينبغي عدم السماح للأطفال بالعبث في الجهاز. ولا ينبغي لهم كذلك تنظيفه وصيانته دون الخضوع للإشراف.
- ينبغي ألا يقل الحد الأدنى للمسافة بين سطح الدعم لأوعية الطهي على الموقد والجزء السفلي من منتجك عن 65 سم.
- إذا كانت تعليمات تثبيت موقد الغاز تحدد مسافة أكبر، يلزم مراعاة ذلك.
- تأكد من توافق مصدر إمداد الطاقة الرئيسي لديك مع المعلومات المقدمة على لوحة تصنيف الجهاز.
- اقرأ تعليمات السلامة المهمة بعناية واحتفظ بها للرجوع إليها في المستقبل يحتوي هذا القسم على تعليمات السلامة التي ستساعد في الحماية من خطر نشوب حريق أو التعرض لصدمة كهربائية أو طاقة الميكروويف المتسربة أو الإصابة الشخصية أو تلف الممتلكات. يؤدي عدم اتباع هذه التعليمات إلى إبطال أي ضمان.
- تتوافق منتجات Beko مع معايير السلامة المعمول بها؛ لذلك، في حالة حدوث أي تلف بالجهاز أو كابل الطاقة، يجب إصلاحه أو استبداله لدى الوكيل أو مركز الخدمة أو فني خدمات متخصص ومعتمد على حد سواء لتجنب أي خطر. فقد تمثل أعمال الإصلاح الخاطئة أو غير المؤهلة خطورة وتشكل خطرًا على المستخدم.
- صُمم هذا الجهاز خصيصًا للاستخدام في الاستخدامات المنزلية وما شابهها مثل:
- مناطق مطبخ الموظفين في المتاجر والمكاتب وبيئات العمل الأخرى؛
- منازل المزارع
- من قبل العملاء في الفنادق والبيئات السكنية الأخرى؛

يرجى قراءة دليل المُستخدمِ هذا أولاً!

عملينا العزيز الغالي،

شكرًا لك على تفضيلك لجهاز Beko هذا. نأمل حصولك على أفضل النتائج من جهازك الذي صُنِعَ بجودة عالية وبأحدث التقنيات. ولهذا السبب، يرجى قراءة دليل المُستخدمِ هذا بالكامل وجميع المستندات الأخرى المرفقة معه بعناية قبل استخدام الجهاز والاحتفاظ بهم كمرجع للاستخدام المستقبلي. ويرجى، في حالة إعطاء الجهاز لشخص آخر، منحه دليل المُستخدمِ كذلك. اتبع التعليمات من خلال الانتباه إلى جميع المعلومات والتحذيرات الواردة في دليل المُستخدمِ. تذكر أن دليل المُستخدمِ هذا قد ينطبق أيضًا على الطرز الأخرى. وتوصف الاختلافات بين الطرز بوضوح في الدليل.

معاني الرموز

تُستخدم الرموز التالية في أقسام مختلفة من دليل المُستخدمِ هذا:

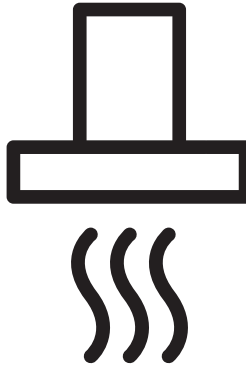
معلومات مهمة ونصائح مفيدة بخصوص الاستخدام.	
تحذير: تحذيرات من المواقع الخطرة المتعلقة بأمن الحياة والممتلكات.	
تحذير من خطر نشوب حريق.	
تحذير من خطر التعرض لصدمة كهربائية.	
فئة الحماية من الصدمة الكهربائية.	



beko

الغطاء

دليل المستخدم



HCP61310I
HCP61310IH
HCP61310W
HCP61310B
HCP91310I

AR

CE

01M-8861583200-1823-15
01M-8861593200-1823-15
01M-8861603200-1823-15
01M-8863853200-1823-15
01M-8861613200-1823-15