

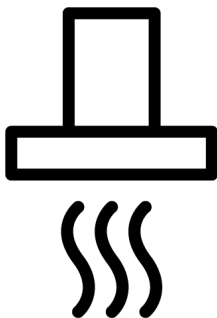
beko

Hood / User Manual

Dunstabzugshaube / Bedienungsanleitung

Hotte murale / Manuel d'utilisation

Afzuigkap / Gebruiker Handleiding



BHCA66641BBBHS

185732475_1/ EN/ DE/ FR/ NL/ R.AB/ 02/01/24 13:15
7704331243



Welcome!

Dear Customer,

Thank you for choosing the Beko product. We want your product, manufactured with high quality and technology, to offer you the best efficiency. Therefore, carefully read this manual and any other documentation provided before using the product.

Keep in mind all the information and warnings stated in the user's manual. This way, you will protect yourself and your product against the dangers that may occur.

Keep the user's manual. If you give the product to someone else, give the manual with it. The warranty conditions, usage and troubleshooting methods for your product are provided in this manual.

The symbols and their descriptions in the user's manual:



Hazard that may result in death or injury.



Important information or useful usage tips.



Read the user's manual.



Hot surface warning.

NOTICE Hazard that may result in material damage to the product or its environment.

Arçelik A.Ş.

Karaağaç caddesi No:2-6
34445 Sütlüce/İstanbul/TURKEY

Made in TURKEY

Table of Contents

1	Safety Instructions.....	4
1.1	Intended Use.....	4
1.2	Child, Vulnerable Person and Pet Safety	4
1.3	Electrical Safety.....	5
1.4	Transportation Safety	6
1.5	Installation Safety.....	7
1.6	Safety of Use	8
1.7	Maintenance and Cleaning Safety	9
2	Environmental Instructions.....	10
2.1	Waste Directive.....	10
2.1.1	Compliance with the WEEE Directive and Disposing of the Waste Product	10
2.2	Package Information.....	10
3	Your product	11
3.1	Product Introduction	11
3.2	Product Accessories	11
3.3	Technical Specifications.....	13
4	First Use.....	14
4.1	Initial Cleaning	14
5	Using the Hood	14
6	Maintenance and Cleaning	17
6.1	General Cleaning Information.....	17
6.2	Cleaning the Control Panel	18
6.3	Aluminium Filter	18
6.4	Carbon Filter (Usage without a flue)	19
6.5	Hood Lamp	19
7	Troubleshooting.....	20

1 Safety Instructions

- This section includes the safety instructions necessary to prevent the risk of personal injury or material damage.
- If the product is handed over to someone else for personal use or second-hand use purposes, the user's manual, product labels and other relevant documents and parts should also be given.
- Our company shall not be held responsible for damages that may occur if these instructions are not observed.
- Failure to follow these instructions shall void any warranty.
- Always have the installation and repair works made by the manufacturer, the authorised service or a person that the importer company shall designate.
- Use original spare parts and accessories only.
- Do not repair or replace any component of the product unless it is clearly specified in the user's manual.
- Do not make technical modifications on the product.

1.1 Intended Use

- This product is designed to be used at home. It is not suitable for commercial use.
- Do not use the product in gardens, balconies or other outdoors. This product is intended to be used in households and in the staff kitchens of shops, offices and other working environments.

1.2 Child, Vulnerable Person and Pet Safety

- This product can be used by children 8 years of age and older, and people who are underdeveloped in physical, sensory or mental skills, or who have lack of experience and knowledge, as long as they are supervised or trained about the safe use and hazards of the product.
- Children should not play with the product. Cleaning and user maintenance should not be performed by children unless there is someone overseeing them.
- This product should not be used by people with limited physical, sensory or mental capacity (including children), un-

less they are kept under supervision or receive the necessary instructions.

- Children should be supervised to ensure that they do not play with the product.
- Electrical products are dangerous for children and pets. Children and pets should not play with the product.
- Keep the packaging materials out of the reach of children. There is a hazard of injury and suffocation.
- Before discarding worn out and useless products:
 1. Unplug and disconnect the power plug (if the product is plugged in).
 2. Cut off the power cable and disconnect it with the plug from the product.
 3. Do not allow children to play with product when it is in idle mode.

1.3 Electrical Safety

- Plug the product into a grounded outlet protected by a fuse that matches the current ratings indicated on the type label. Have the grounding installation made by a qualified electrician. Do not use the product without grounding in accordance with local / national regulations.

- The plug or the electrical connection of the appliance shall be in an easily accessible place. If this is not possible, there should be a mechanism (fuse, switch, key switch, etc.) on the electrical installation to which the product is connected, in compliance with the electrical regulations and separating all poles from the network.
- Unplug the product or switch off the fuse before repair, maintenance and cleaning.
- Plug the product into an outlet that meets the voltage and frequency values specified on the type label.
- (If your product does not have a mains cable) only use the connecting cable described in the "Technical specifications" section.
- Do not plug your hood in until it is mounted.
- Do not jam the power cable under and behind the product. Do not put a heavy object on the power cable. The power cable should not be bent, crushed, and come into contact with any heat source.
- Do not install the electricity cord near the heaters. The cable might melt, causing a fire.

- Make sure that the power cable is not jammed while putting the product to its place after assembly or cleaning.
 - Do not plug your hood in until it is mounted.
 - Use original cable only. Do not use cut or damaged cables.
 - Do not use an extension cord or multi-plug to operate your product.
 - Contact the authorized service centre or importer to use the approved adapter in cases where the use of a converter adapter (for plug type) is necessary.
 - Contact the importer or the authorized service centre if the length of the power line is inadequate.
 - Portable power sources or multiple plugs may overheat and catch fire. Keep multiple plugs and portable power sources away from the product.
 - If the power cable is damaged, it must be replaced by the manufacturer, an authorized service or a person to be specified by the importer company in order to prevent possible dangers.
 - If your product has plug, do not make electrical connections by disconnecting the plug during installation. Connections made by cutting off render the product warranty void and pose a danger to user safety.
- If your product has a power cable and plug:
- Never put the product plug into a broken, loose, or out-of-socket plug. Make sure the plug is fully inserted into the socket. Otherwise the connections may overheat and cause a fire.
 - Avoid inserting the device into plugs that are greasy, unclean, or potentially exposed to water (such as those near a worktop where water may escape). Otherwise there is a risk of short circuit and electrocution.
 - Never touch the plug with wet hands!
 - Pull the plug out of the socket using the plug's body rather than the cord itself.



1.4 Transportation Safety

- Disconnect the product from the mains before transporting the product.
- The product is heavy, carry the product with at least two people.
- Do not place items on the appliance. Carry the appliance vertically.

- When you need to transport the product, wrap it with bubble wrap packaging material or thick cardboard and tape it tightly. Secure the moving parts of the product firmly to prevent damage.
- Before the product is installed, check the product for any damage after transport. Contact the importer or the authorized service centre if damaged.
- Always wear protective gloves during transport and installation. Otherwise there is a risk of injury from sharp edges!
- Before the product is installed, check the product for any damage. Do not have it installed if the product is damaged.
- Avoid using any heat-insulating materials to cover the interior of the furniture that will be installed.

1.5 Installation Safety

- To have your product ready for use, first provide the place of installation and have the electrical installation made. Always have the installation made by the manufacturer, the authorised service or a person that the importer company shall designate.
- To have your product ready for use, first provide the place of installation and have the electrical installation made. Then, call the Authorised Service to have the installation performed. After installation by the authorized service, the warranty period begins.
- Before beginning the installation, de-energize the power line to which the product will be connected by turning off the fuse.
- Direct sunlight and heat sources, such as electric or gas heaters, must not be present in the area where the product is installed.
- If there is a socket behind the place where the product will be installed, it must be ensured that the product does not come into contact with the socket nor with the plug plugged into the socket.
- For usage with chimney connections, have qualified individuals assess the suitability of the chimney to which the product will be connected.
- Height between the bottom surface of your hood and the top surface of the oven should be no less than 650 mm for gas ovens and 500 mm for electrical ovens. Otherwise,

your product will be affected by the heat or flame of the hob and pose a safety hazard.

- (For Model C) In electrical ovens, the highest performance in the product is achieved by leaving a height of 550 mm.
- Never attach the hood to flues used as a flame heater or flame-emitting heaters. Comply with local regulations on purging the outflow.
- Use pipes with a diameter of 120 mm when connecting a flue to your product. The pipe connection should be as short as possible and with few bends.

1.6 Safety of Use

- **Poisoning Danger!** While the appliance is operating, air is drawn from the whole house. If adequate ventilation is not provided, air flow occurs and the waste and toxic gases released as a result of combustion in the house are reabsorbed. Do not operate the product together with products that provide air circulation and may emit toxic gas (wood, gas, oil and coal stoves, boilers, water heaters, etc.).
- Ensure that the appliance is switched off after every use.
- Don't use the product if it breaks down or gets damaged while being used. Disconnect the product from the electricity. Contact the importer or the authorized service centre.
- Do not touch the lamps of your hood after operating the hood for a long time. Hot lamps may burn your hand.
- Do not operate the appliance without an oil filter. Do not remove the filters while the appliance is operating. Otherwise the product and electrical connections may be adversely affected by the oil.
- Do not create a high flame under the product. Otherwise, the oil in the oil filter may ignite, causing a fire.
- Turn off the oven before taking the cooking pots, pans, etc. from the ovens. Otherwise, your product could be harmed by flame and growing heat.
- Never set anything combustible or items prone to falling on your hood. Otherwise, it could fall on the hob and risk burning them or fall into the food and hurt the user,
- Do not keep easily flammable materials under your hood.
- (For Models A and B) Run your hood for another 15 minutes after the cooking or frying pro-

cess to clean the kitchen air thoroughly of the odours and vapours generated during cooking.

- (Except for goods that return exhaust air to the room) The room needs to be well ventilated if the hood is utilized in the same area as gas or liquid fuel burning equipment.
- The chimney of appliances like room heaters that run on gas or liquid fuel must be entirely insulated in the environment where the hood is utilized, or the appliance must be hermetic.
- If there is another appliance operating with energy other than electrical energy in the same environment with the hood, the negative pressure in the room should be at most 0.04 mbar so that the exhaust of the other appliance is not drawn back into the room by the hood.

- Easily flammable and combustible materials should not be hung on the hood handles (if any).
- There should not be open fire under the hood. (for example: flambe)
- **Caution:** Accessible parts can heat up when used with a cooker.



1.7 Maintenance and Cleaning Safety

- The grease accumulated on the hood and grease filter must be cleaned at the specified intervals. Otherwise, there is a risk of fire!
- It is recommended to clean the filter once a month under normal usage. If not, the build-up of oil in the filter could catch fire and pose a hazard.
- Never wash the product by spraying or pouring water on it! There is the risk of electric shock!
- Do not use steam cleaners to clean the product as this may cause an electric shock.

2 Environmental Instructions

2.1 Waste Directive

2.1.1 Compliance with the WEEE Directive and Disposing of the Waste Product

This product complies with EU WEEE Directive (2012/19/EU). This product bears a classification symbol for waste electrical and electronic equipment (WEEE).



This product has been manufactured with high quality parts and materials which can be reused and are suitable for recycling. Therefore, do not dispose of the waste product with normal domestic and other wastes at the end of its service life. Take it to a collection point for the recycling of electrical and electronic equipment. You can ask your local

administration about these collection points. Disposing of the appliance properly helps prevent negative consequences for the environment and human health.

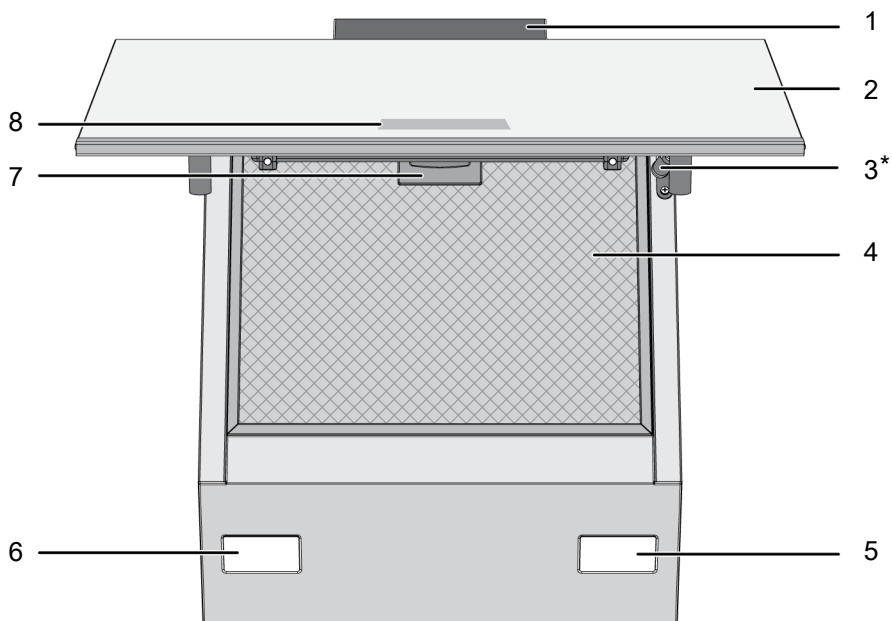
Compliance with RoHS Directive:

The product you have purchased complies with EU RoHS Directive (2011/65/EU). It does not contain harmful and prohibited materials specified in the Directive.

2.2 Package Information

Packaging materials of the product are manufactured from recyclable materials in accordance with our National Environment Regulations. Do not dispose of the packaging waste with the household or other wastes, take it to the packaging material collection points designated by the local authorities.

3.1 Product Introduction



1 Hood body

3 Damper

5 Lamp

7 Aluminium filter lock

2 Hood glass lid

4 Aluminium filter

6 Lamp

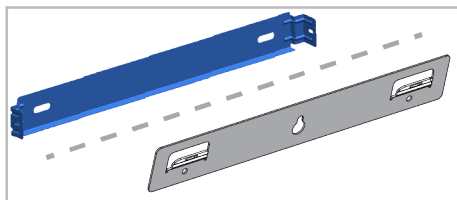
8 Control panel

* Dependent on the model. It may not be available on your product.

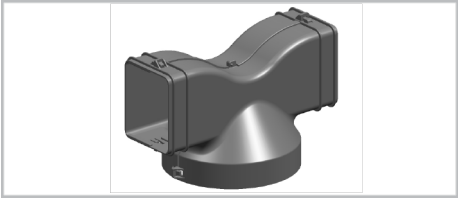
3.2 Product Accessories

Depending on the product model, the supplied accessory varies. All accessories described in the user's manual may not be available in your product.

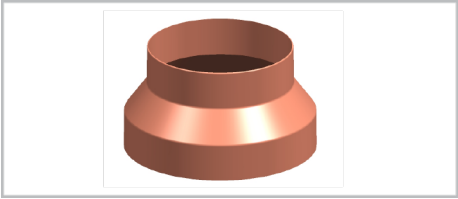
Wall mounting part



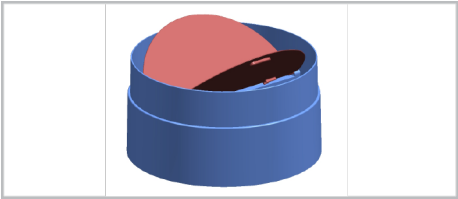
Air router



Flue connection adapter



Covers to prevent reverse airflow



3.3 Technical Specifications

Product external dimensions (height/width/depth) (mm)	min. 910 - max. 1138 /595 /419
Voltage/Frequency	220-240 V ~1N; 50 Hz
Total power consumption	max. 300 W
Suction power	700-720 m3/h
Diameter of air outlet pipe	120-150 mm

Control	
Model A	3 levels
Model B	3 levels + 1 booster
Model C	3 levels + 1 booster



Technical specifications may be changed without prior notice to improve the quality of the product.



Figures in this manual are schematic and may not exactly match your product.



Values stated on the product labels or in the documentation accompanying it are obtained in laboratory conditions in accordance with relevant standards. Depending on operational and environmental conditions of the product, these values may vary.

4 First Use


Before you start using your product, it is recommended to do the following stated in the following sections respectively.

4.1 Initial Cleaning

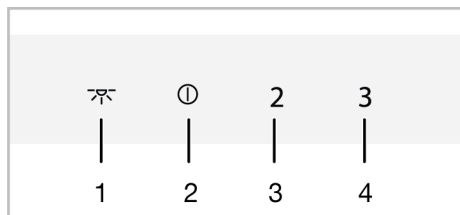
1. Remove all packaging materials.

5 Using the Hood

The hood has an engine with various speeds. For a good performance, we recommend using low speeds under normal conditions and high speeds in case of strong odour and vapour condensation.

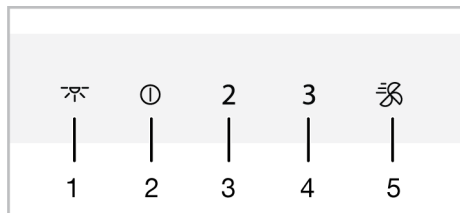
 The program is cancelled if power is cut when any program in your hood is active.

MODEL A



- 1 Lamp key
- 2 On-Off/Speed 1 key
- 3 Speed 2 key
- 4 Speed 3 key

MODEL B

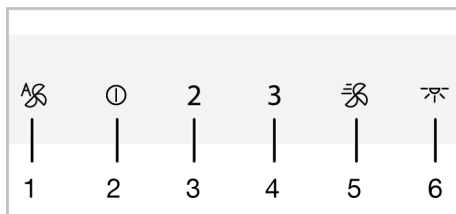


- 1 Lamp key
- 2 On-Off/Speed 1 key
- 3 Speed 2 key
- 4 Speed 3 key
- 5 Booster key

2. Wipe the surfaces of the product with a wet cloth or sponge and dry with a cloth.

NOTICE: Some detergents or cleaning agents may cause damage to the surface. Do not use abrasive detergents, cleaning powders, cleaning creams or sharp objects during cleaning.


MODEL C




- 1 Automatic mode key
- 2 On-Off/Speed 1 key
- 3 Speed 2 key
- 4 Speed 3 key
- 5 Booster key
- 6 Lamp key



Operating the hood

1. Touch the speed level key you have selected to operate the hood.
 - ⇒ The set speed level key lights up.
2. You can touch the other speed level keys to change the speed level.



 When in operation, the product will run for a maximum of 6 hours if no key is touched.

Turning off the hood

1. To turn the hood off, touch again the key of the level on which the hood is operating or  key.

 If you touch the  key with any function active except the lamp, then the function is cancelled.



Turning on the intensive ventilation mode (Booster) (for models B and C)

1. Press  key once to start the hood in the intensive ventilation mode.
 - ⇒ The intensive ventilation mode starts up and runs for a maximum of 10 minutes. During this time, the  key lights up. After 10 minutes, the product continues to operate in Speed 3 and the Speed 3 key lights up.



In intensive ventilation mode, when any speed key is touched, it returns to that speed level and continues to operate.


Operating the lamp

1. Touch the  key to operate the lamp.
 - ⇒ Hood lamp lights. (For Models B and C) If you touch the  key again within the first 1 minute, the lamp will continue to light at the low illumination level. If you touch it again 1 minute after turning the lamp on, it turns off.




The illumination lamps operate for a maximum of 12 hours.

Turning off the lamp


1. One minute after turning the hood lamp on, you can turn it off by touching the  key again.





(For Models B and C) If you touch the  key again within the first 1 minute after the lamp is switched on, the lamp switches to the low illumination level.

Setting the lamp illumination colour (for models B and C)

You can use the colour of your hood's illumination lamps in 3 different shades.

1. With the hood lamp turned on, touch  key for more than 2 seconds.

⇒ The lamp changes to the other colour shade.

2. If you continue to touch the  key, it will change to the next colour shade after every 2 seconds. According to the desired colour shade, stop touching  key when the lamp is in that colour shade. The colour shade will automatically activate.




You can only change the light colour shade while the lamp has high light intensity.



In the event of a power outage, your hood will remember the colour shade set and the lamp will work in the colour that was last set.


Automatic mode (for model C)


Your hood measures the temperature of the air in the kitchen and the air coming from your hob by using a sensor. In automatic mode, it determines the required levels for the temperature of the air from the hob to match the temperature of the air in the kitchen and operates at levels determined automatically.


1. To enable the automatic mode touch the  key.
 - ⇒ The automatic mode is activated and operates until the temperature of the air from the hob equals the ambient temperature. It will switch off automatically when the temperature equalizes. You must enable automatic mode again to re-switch it on.




While automatic mode is active, automatic mode will be cancelled when you turn the product on and off at any speed.

2. To turn automatic mode off early touch the  key once more.

 If you open the cover of the product when auto mode is on, its performance will decrease. Do not open the cover when the automatic mode is active.


 If the ambient temperature difference occurs even when the hob is not operating while the automatic mode is active, the temperature sensor in the product will detect the difference and the product may start operating at Speed 2 or 3 depending on the difference. In this case, automatic mode will be turned off when the temperature difference is equalized.

 Do not use automatic mode when your hob is not working.

Air cleaning mode (for models B and C)


You can use air cleaning mode to eliminate the odour in your house during a long time at low level.


1. Touch the Speed 1 key for more than 3 seconds.
 - ⇒ Air cleaning mode is activated. The light of the Speed 1 key flashes when the air cleaning mode is active.
2. The air cleaning mode will operate at Speed 1 for 10 minutes in 1 hour and will stop for 50 minutes. If you do not switch off the air cleaning mode, it will remain in operation for 10 minutes, then stop for 50 minutes in each hour for 24 hours.


 When air cleaning mode is active, it is automatically cancelled at the touch of any key except lamp key. Your hood continues to operate at the function of the key you touch.

Aluminium filter fill warning

The light of Speed 2 key flashes for thirty seconds after every 100 hours of operation. Clean the aluminium filters. After cleaning, the lamp warning of Speed 2 key does not turn off automatically. This product continues to show the 30-second warning when the product switches off after every operation. When you touch the Speed 2 key for more than 3 seconds, aluminium filter fill warning is reset and the lamp is turned off.

 The warning is not cancelled if the power is cut when the hood gives aluminium filter fill warning. When the power is available, it continues to warn with the light of Speed 2 key flashing.

 If you run the hood at any speed level with the aluminium filter fill warning, the warning will not appear for as long as the hood is running. When you turn off the hood, the fill warning starts flashing again for 30 seconds.

 If you turn off the warning without cleaning the aluminium filter, the operating time of 100 hours is reset and it starts over. At the end of the next 100 hours, your hood warns again.

Carbon filter fill warning (for products with carbon filter)

The light of Speed 2 key flashes for thirty seconds after every 100 hours of operation. In this case, you must replace your carbon filter. Consult an authorized service for this. After replacement, the lamp warning of Speed 2 key does not turn off automatically. This product continues to show the 30-second warning when the product switches off after every operation. When you touch the Speed 2 key for more than 3 seconds, carbon filter fill warning is reset and the lamp is turned off.



The warning is not cancelled if the power is cut when the hood gives carbon filter fill warning. When the power is available, it continues to warn with the light of Speed 2 key flashing.



If you run your hood at any speed level with the carbon filter fill warning, the warning will not appear for as long as the hood is running. When you turn off the hood, the fill warning starts flashing again for 30 seconds.



If you turn off the warning without replacing the carbon filter, the operating time of 100 hours is reset and it starts over. At the end of the next 100 hours, warning is given again.

6 Maintenance and Cleaning

6.1 General Cleaning Information

General warnings

- Wait for the product to cool before cleaning the product. Hot surfaces may cause burns!
- Do not apply the detergents directly on the hot surfaces. This may cause permanent stains.
- The product should be thoroughly cleaned and dried after each operation. Thus, food residues shall be easily cleaned and these residues shall be prevented from burning when the product is used again later. Thus, the service life of the appliance extends and frequently faced problems are decreased.
- Do not use steam cleaning products for cleaning.
- Some detergents or cleaning agents cause damage to the surface. Unsuitable cleaning agents are: bleach, cleaning products containing ammonia, acid or chloride, steam cleaning products, descaling agents, stain and rust removers, abrasive cleaning products (cream cleaners, scouring powder, scouring cream, abrasive and scratching scrubber, wire, sponges, cleaning cloths containing dirt and detergent residues).

- No special cleaning material is needed in the cleaning made after each use. Clean the appliance using dishwashing detergent, warm water and a soft cloth or sponge and dry it with a dry cloth.
- Be sure to completely wipe off any remaining liquid after cleaning and immediately clean any food splashing around during cooking.
- Do not wash any component of your appliance in a dishwasher unless otherwise stated in the user's manual.

Inox - stainless surfaces

- Do not use acid or chlorine-containing cleaning agents to clean stainless-inox surfaces and handles.
- Stainless-inox surface may change colour in time. This is normal. After each operation, clean with a detergent suitable for the stainless or inox surface.
- Clean with a soft soapy cloth and liquid (non-scratching) detergent suitable for inox surfaces, taking care to wipe in one direction.
- Remove lime, oil, starch, milk and protein stains on the glass and inox surfaces immediately without waiting. Stains may rust under long periods of time.
- Cleaners sprayed/applied to the surface should be cleaned immediately. Abrasive cleaners left on the surface cause the surface to turn white.

Glass surfaces

- When cleaning glass surfaces, do not use hard metal scrapers and abrasive cleaning materials. They can damage the glass surface.
- Clean the appliance using dishwashing detergent, warm water and a microfiber cloth specific for glass surfaces and dry it with a dry microfiber cloth.
- If there is residual detergent after cleaning, wipe it with cold water and dry with a clean and dry microfiber cloth. Residual detergent may damage the glass surface next time.
- Under no circumstances should the dried-up residue on the glass surface be cleaned off with serrated knives, wire wool or similar scratching tools.
- You can remove the calcium stains (yellow stains) on the glass surface with the commercially available descaling agent, with a descaling agent such as vinegar or lemon juice.
- If the surface is heavily soiled, apply the cleaning agent on the stain with a sponge and wait a long time for it to work properly. Then clean the glass surface with a wet cloth.
- Discolorations and stains on the glass surface are normal and not defects.

Plastic parts and painted surfaces

- Clean plastic parts and painted surfaces using dishwashing detergent, warm water and a soft cloth or sponge and dry them with a dry cloth.
- Do not use hard metal scrapers and abrasive cleaners. They may damage the surfaces.
- Ensure that the joints of the components of the product are not left damp and with detergent. Otherwise, corrosion may occur on these joints.

6.2 Cleaning the Control Panel

- When cleaning the panels with knob-control, wipe the panel and knobs with a damp soft cloth and dry with a dry cloth.

Do not remove the knobs and gaskets underneath to clean the panel. The control panel and knobs may be damaged.

- While cleaning the inox panels with knob control, do not use inox cleaning agents around the knob. The indicators around the knob can be erased.
- Clean the touch control panels with a damp soft cloth and dry with a dry cloth. If your product has a key lock feature, set the key lock before performing control panel cleaning. Otherwise, incorrect detection may occur on the keys.

6.3 Aluminium Filter

This filter serves to retain oil particles in the air. **It is recommended to clean the filter once a month under normal usage.** To achieve this:

1. Remove the aluminium filters.
2. Wash the filters in water using liquid detergent and reinstall after drying.

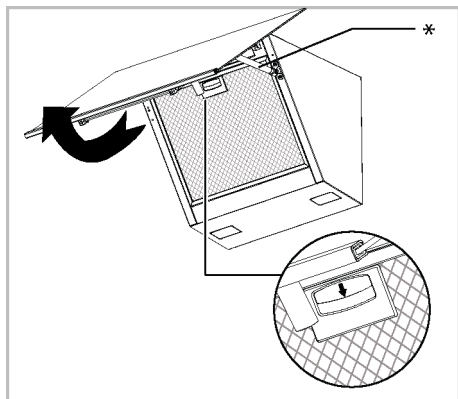
Aluminium filters may change colour as they are washed; this is normal and does not require replacing your filters.



You can also wash the aluminium filter in the dishwasher. (max. 70 °C)

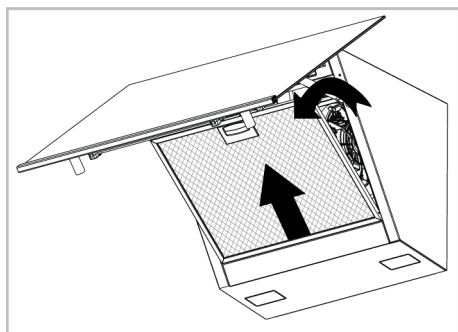
Removing aluminium filters

1. Open hood cover upwards and pull aluminium filter lock downwards as shown in the figure.



* The damper is optional. It may not be available in your product.

2. Gently pull the filter towards you first and pull it upwards to remove it from its slot.



3. Reinstall the aluminium filter in its slot after flushing by following the above steps in reverse.

6.4 Carbon Filter (Usage without a flue)

General warnings

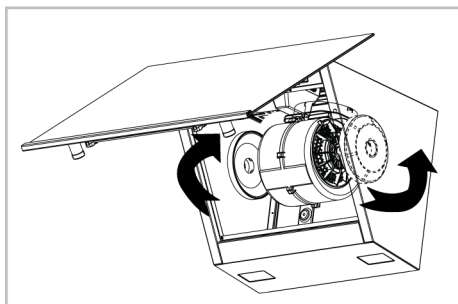
- If you have installed your product without a flue, you should replace your carbon filters every 4 months in normal use. You can obtain the carbon filter from Authorized Services.
- The carbon filter should never be washed.

- If you do not follow the rules for cleaning and replacing the filters of your hood, you may cause a fire.

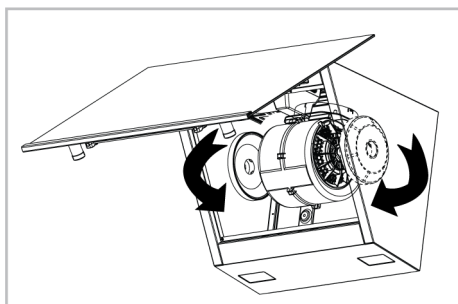
i In carbon-filtered usage, the sound level increases and the flow rate performance decreases.

Removing carbon filters

1. Open the glass cover of the hood and remove the aluminium filter.
2. Unscrew the carbon filters on the right and left of the motor holder.



3. Place the lug slots of your new carbon filters into the lugs on the motor holder and turn them clockwise to snap them into place.



4. Close the hood glass cover after installing the aluminium filter.

6.5 Hood Lamp

In the event of a lamp malfunction in the hood, contact your local dealer or the Customer Service, and ensure that the lamp is replaced.

7 Troubleshooting

If the problem persists after following the instructions in this section, contact your vendor or an Authorized Service. Never try to repair your product yourself.

Product is not working.

- Fuse may be faulty or blown. >>> Check the fuses in the fuse box. Change them if necessary or reactivate them.
- The product may not be plugged in. >>> Check if the product is plugged in to the outlet or not.
- The speed button may not be set. >>> Press/touch the desired speed button.
- There may be no electricity. >>> Ensure the mains is operational and check the fuses in the fuse box. Change the fuses if necessary or reactivate them.

Hood light is not on.

- Hood lamp may be faulty. >>> Contact your local dealer where you purchased your product or the Customer Service, and ensure that the lamp is replaced.
- There may be no electricity. >>> Ensure the mains is operational and check the fuses in the fuse box. Change the fuses if necessary or reactivate them.

Willkommen!

Sehr geehrter Kunde, sehr geehrte Kundin,

Vielen Dank, dass Sie sich für das Beko Produkt entschieden haben. Wir stellen Ihnen dieses Produkt vor, das mit hoher Qualität und Technologie hergestellt wurde, um Ihnen die beste Effizienz zu bieten. Lesen Sie dieses Handbuch und alle anderen mitgelieferten Dokumentationen sorgfältig durch, bevor Sie das Produkt verwenden.

Beachten Sie alle Informationen und Warnungen im Benutzerhandbuch. Auf diese Weise schützen Sie sich und Ihr Produkt vor den Gefahren, die auftreten können.

Bewahren Sie das Benutzerhandbuch auf. Wenn Sie das Produkt an eine andere Person weitergeben, geben Sie das Handbuch mit. Die Garantiebedingungen, Verwendungs- und Fehlerbehebungsmethoden für Ihr Produkt sind in der Bedienungsanleitung enthalten.

Die Symbole und ihre Beschreibungen in der Bedienungsanleitung:



Gefahr, die zum Tod oder zu Verletzungen führen kann.



Wichtige Informationen oder nützliche Anwendungstipps.



Bitte lesen Sie das Benutzerhandbuch.



Warnung vor heißer Oberfläche.

HINWEIS Gefahr, die zu materiellen Schäden am Produkt oder seiner Umgebung führen kann.

Arçelik A.Ş.

Karaağaç caddesi No:2-6
34445 Sütlüce/Istanbul/TURKEY

Made in TURKEY

Inhaltsverzeichnis

1	Sicherheitshinweise	24
1.1	Verwendungszweck	24
1.2	Besondere Sicherheitshinweise rund um Kinder, schutzbedürftige Menschen und Haustiere	24
1.3	Sicherheitshinweise zu Elektroge- räten	25
1.4	Sicherheit beim Transport	27
1.5	Sicherheitshinweise zur Installati- on	28
1.6	Sicher bedienen	29
1.7	Sicherheitshinweise zum Reini- gen und Pflegen	30
2	Hinweise zum Umweltschutz	31
2.1	Abfallrichtlinie	31
2.1.1	Informationen zur Entsorgung ..	31
2.2	Paketinformationen	31
3	Ihr neues Gerät	32
3.1	Produktübersicht	32
3.2	Produktzubehör	32
3.3	Technische Spezifikationen	34
4	Erste Verwendung	35
4.1	Erstreinigung	35
5	Nutzung der Dunstabzugshaube.	35
6	Wartung und Reinigung	38
6.1	Allgemeine Reinigungshinweise ...	38
6.2	Bedienfeld reinigen	40
6.3	Metallfettfilter	40
6.4	Aktivkohlefilter (Verwendung oh- ne Abluft)	41
6.5	Haubenlampe	41
7	Fehlerbehebung	41



1 Sicherheitshinweise

- Dieser Abschnitt enthält die Sicherheitshinweise, die erforderlich sind, um die Gefahr von Personen- oder Sachschäden zu vermeiden.
- Bei Weitergabe des Produkts an eine andere Person zum persönlichen Gebrauch oder zum Gebrauch aus zweiter Hand sind auch die Bedienungsanleitung, Produktetiketten und andere relevante Dokumente und Teile mitzugeben.
- Für Schäden, die bei Nichtbeachtung dieser Hinweise entstehen, übernimmt unser Unternehmen keine Haftung.
- Bei Nichtbeachtung dieser Anweisungen erlischt jegliche Garantie.
- Lassen Sie die Installations- und Reparaturarbeiten immer vom Hersteller, dem autorisierten Kundendienst oder einer vom Importeur zu benennenden Person durchführen.
- Verwenden Sie nur Originalersatzteile und Originalzubehör.
- Reparieren oder ersetzen Sie keine Komponenten des Produkts, es sei denn, dies ist im Benutzerhandbuch klar angegeben.

- Nehmen Sie keine technischen Veränderungen am Produkt vor.



1.1 Verwendungszweck

- Dieses Produkt wurde für die Verwendung zu Hause entwickelt. Es ist nicht für die kommerzielle Nutzung geeignet.
- Verwenden Sie das Produkt nicht in Gärten, Balkonen oder anderen Außenbereichen. Dieses Produkt ist für den Einsatz in Haushalten und in der Personalküche von Geschäften, Büros und anderen Arbeitsumgebungen vorgesehen.

1.2 Besondere Sicherheitshinweise rund um Kinder, schutzbedürftige Menschen und Haustiere



- Das Gerät darf nur dann von Kindern ab 8 Jahren und von Menschen, die unter körperlichen oder geistigen Einschränkungen leiden, bedient werden, wenn diese zuvor gründlich über die möglichen Gefahren des Gerätes und einen sicheren Umgang damit aufgeklärt wurden. Dies gilt natürlich

auch für sämtliche sonstigen Leute, die sich mit solchen Geräten noch nicht auskennen.

- Lassen Sie Kinder nicht mit dem Gerät spielen. Reinigungs- und leichte Wartungstätigkeiten dürfen nur dann von Kindern erledigt werden, wenn sie dabei stets unter Aufsicht stehen.
- Das Gerät sollte nicht von Menschen bedient werden, die unter körperlichen oder geistigen Einschränkungen leiden, sofern diese nicht stets beaufsichtigt werden und gründlich mit der Bedienung des Gerätes vertraut gemacht wurden. Dies gilt natürlich auch für Kinder.
- Kinder sollten stets beaufsichtigt werden, damit sie nicht mit dem Gerät spielen.
- Elektrogeräte können immer eine Gefahr für Kinder und Haustiere darstellen. Lassen Sie Kinder und Haustiere nicht mit dem Gerät spielen.
- Bewahren Sie das Verpackungsmaterial so auf, dass Kinder nicht herankommen. Es besteht ernsthafte Verletzungs- und Erstickungsgefahr.
- Bevor Sie abgenutzte und unbrauchbare Produkte entsorgen:

1. Ziehen Sie den Netzstecker aus der Steckdose (wenn das Gerät eingesteckt ist).
2. Schneiden Sie das Netzkabel ab und ziehen Sie es mit dem Stecker aus dem Gerät.
3. Erlauben Sie Kindern nicht, mit dem Gerät zu spielen, wenn es sich im Ruhezustand befindet.



1.3 Sicherheitshinweise zu Elektrogeräten

- Schließen Sie das Gerät an eine Schutzkontaktsteckdose an. Achten Sie darauf, dass die Sicherung des Stromkreises zu den Angaben auf dem Typenschild des Gerätes passt. Lassen Sie die Erdung von einem qualifizierten Elektriker erledigen. Benutzen Sie das Gerät nicht ohne ordnungsgemäße Erdung gemäß nationalen Richtlinien.
- Der Stecker oder der elektrische Anschluss des Gerätes muss an einem leicht zugänglichen Ort sein. Falls Netzstecker oder elektrischer Anschluss nicht an stets erreichbarer Stelle möglich sind, sollte ein allpoliger Trennschalter (Sicherungen, Schalter etc.) in die Zuleitung integriert werden,

der den elektrotechnischen Vorgaben entspricht und natürlich gut erreichbar sein sollte.

- Ziehen Sie den Netzstecker oder schalten Sie die Sicherung aus, bevor Sie das Gerät reparieren, warten oder reinigen.
- Schließen Sie das Gerät an eine Steckdose an, deren Spannung und Netzfrequenz den Angaben auf dem Typenschild des Gerätes entspricht.
- (Verfügt Ihr Produkt über kein Netzkabel) verwenden Sie nur das im Kapitel „Technische Daten“ beschriebene Anschlusskabel.
- Schließen Sie Ihre Dienstabzugsgaube erst an, wenn sie montiert ist.
- Klemmen Sie das Netzkabel nicht unter oder hinter das Gerät. Stellen Sie keine schweren Gegenstände auf dem Netzkabel ab. Netzkabel dürfen nicht geknickt oder gequetscht werden und sie, dürfen keine heißen Stellen berühren.
- Verlegen Sie das Stromkabel nicht in der Nähe der Heizgeräte. Das Kabel könnte schmelzen und einen Brand verursachen.
- Achten Sie darauf, dass das Stromversorgungskabel nirgends eingeklemmt wird, wenn Sie das Gerät bei der Installation oder nach dem Reinigen an seinen Platz rücken.
- Schließen Sie Ihre Dienstabzugsgaube erst an, wenn sie montiert ist.
- Verwenden Sie nur Originalkabel. Verwenden Sie keine gekürzten oder beschädigten Kabel.
- Verwenden Sie kein Verlängerungskabel, keinen Mehrfachstecker, um Ihr Produkt zu betreiben.
- Wenden Sie sich an das autorisierte Servicezentrum oder den Importeur, um den zugelassenen Adapter zu verwenden, wenn die Verwendung eines Konverteradapters (für den Steckertyp) erforderlich ist.
- Wenden Sie sich an den Importeur oder das autorisierte Servicezentrum, wenn die Länge der Stromleitung unzureichend ist.
- Tragbare Stromquellen oder Mehrfachsteckdosen können sich überhitzen und in Brand geraten. Halten Sie Mehrfachsteckdosen und tragbare Stromquellen vom Gerät fern.
- Falls das Netzkabel beschädigt wird, muss es vom Hersteller, dem autorisierten Kundendienst oder einer vom Importeur angegebenen Fach-

kraft instandgesetzt werden, damit es nicht zu Gefährdungen kommt.

- Wenn Ihr Produkt über einen Stecker verfügt, stellen Sie keine elektrischen Verbindungen her, indem Sie den Stecker während der Installation abziehen. Durch Trennen hergestellte Verbindungen führen zum Erlöschen der Produktgarantie und stellen eine Gefahr für die Benutzersicherheit dar.

Wenn Ihr Produkt über ein Netzkabel und einen Stecker verfügt:

- Stecken Sie den Stecker des Produkts niemals in einen gebrochenen, losen oder aus der Steckdose herausgezogenen Stecker. Achten Sie darauf, dass der Stecker vollständig in die Steckdose eingesteckt ist. Andernfalls können sich die Anschlüsse überhitzen und einen Brand verursachen.
- Stecken Sie das Gerät nicht in Steckdosen, die fettig oder unsauber sind oder möglicherweise Wasser ausgesetzt sind (z. B. in der Nähe einer Arbeitsfläche, wo Wasser austreten kann). Es besteht sonst die Gefahr eines Kurzschlusses und eines Stromschlags.
- Berühren Sie den Netzstecker niemals mit feuchten oder gar nassen Händen!

- Ziehen Sie den Stecker aus der Steckdose, indem Sie das Gehäuse des Steckers und nicht das Kabel selbst benutzen.



1.4 Sicherheit beim Transport

- Trennen Sie das Gerät vollständig von der Stromversorgung, auch wenn es nur über sehr kurze Strecken transportiert, also nur umgesetzt wird.
- Das Gerät ist schwer, Sie brauchen also mindestens einen zusätzlichen Helfer.
- Stellen Sie keine Gegenstände auf das Gerät. Tragen Sie das Gerät senkrecht.
- Hüllen Sie das Gerät vor dem Transportieren mit Luftpolsterfolie (die mit den kleinen Blasen) oder kräftigem Karton ein, anschließend mit Klebeband fixieren. Sichern Sie die beweglichen Teile des Produkts fest, um Schäden zu vermeiden.
- Überprüfen Sie das Produkt vor der Installation auf eventuelle Transportschäden. Wenden Sie sich bei Schäden an den Importeur oder das autorisierte Servicezentrum.



1.5 Sicherheitshinweise zur Installation

- Um Ihr Produkt einsatzbereit zu machen, geben Sie zunächst den Aufstellort an und lassen Sie die Elektroinstallation durchführen. Lassen Sie die Installationsarbeiten immer vom Hersteller, dem autorisierten Kundendienst oder einer vom Importeur zu benennenden Person durchführen.
- Um Ihr Produkt einsatzbereit zu machen, geben Sie zunächst den Aufstellort an und lassen Sie die Elektroinstallation durchführen. Rufen Sie dann den autorisierten Service an, um die Installation durchführen zu lassen. Nach der Installation durch den autorisierten Service beginnt die Garantiezeit.
- Bevor Sie mit der Installation beginnen, schalten Sie die Stromleitung, an die das Produkt angeschlossen werden soll, durch Ausschalten der Sicherung stromlos.
- Wir raten immer zum Tragen von Schutzhandschuhen während des Transports und der Installation. Es besteht sonst Verletzungsgefahr durch scharfe Kanten!
- Prüfen Sie das Gerät auf Beschädigungen, bevor es an die Installation geht. Installieren Sie das Produkt nicht, wenn das Gerät beschädigt ist
- Vermeiden Sie die Verwendung von wärmeisolierenden Materialien zur Abdeckung des Innenraums der zu installierenden Möbel.
- Direkte Sonneneinstrahlung und Wärmequellen wie Elektro- oder Gasheizungen dürfen in dem Bereich, in dem das Produkt aufgestellt wird, nicht vorhanden sein.
- Befindet sich hinter dem Aufstellungsort des Produkts eine Steckdose, muss sichergestellt werden, dass das Produkt weder mit der Steckdose noch mit dem in die Steckdose eingesteckten Stecker in Berührung kommt.
- Bei Verwendung mit Schornsteinanschlüssen ist die Eignung des Schornsteins, an den das Produkt angeschlossen werden soll, von qualifizierten Personen zu prüfen.
- Die Höhe zwischen der Unterseite Ihrer Dunstabzugshaube und der Oberseite des Ofens sollte mindestens 650 mm bei Gasöfen und 500 mm bei Elektroöfen betragen. Andernfalls wird Ihr Produkt durch die Hit-

ze oder Flamme des Kochfeldes beeinträchtigt und stellt ein Sicherheitsrisiko dar.

- (Für Modell C) Bei Elektroöfen wird die höchste Leistung des Produkts durch Belassen einer Höhe von 550 mm erreicht.
- Bringen Sie die Haube niemals an Abgaskanälen an, die als Flammenheizer oder flammen-erzeugende Heizgeräte verwendet werden. Beachten Sie die örtlichen Vorschriften zum Spülen des Abflusses.
- Verwenden Sie Rohre mit einem Durchmesser von 120 mm, wenn Sie einen Rauchabzug an Ihr Produkt anschließen. Die Rohrverbindung sollte möglichst kurz und mit wenigen Bögen sein.

1.6 Sicher bedienen

- **Vergiftungsgefahr!** Während das Gerät in Betrieb ist, wird Luft aus dem ganzen Haus angesaugt. Wenn keine ausreichende Belüftung gewährleistet ist, kommt es zu einem Luftstrom und die durch die Verbrennung im Haus freigesetzten Abfälle und giftigen Gase werden resorbiert. Betreiben Sie das Produkt nicht zusammen mit Produkten, die für Luftzirkulation sorgen und giftige Gase freisetzen können (Holz-, Gas-, Öl- und Kohleöfen, Boiler, Warmwasserbereiter usw.).
- Stellen Sie sicher, dass das Produkt nach jedem Gebrauch ausgeschaltet ist.
- Verwenden Sie das Produkt nicht, wenn es während des Gebrauchs kaputt oder beschädigt wird. Trennen Sie das Gerät vollständig von der Stromversorgung. Wenden Sie sich an den Importeur oder das autorisierte Servicezentrum.
- Berühren Sie die Lampen Ihrer Dunstabzugshaube nicht, nachdem Sie die Dunstabzugshaube längere Zeit in Betrieb genommen haben. Heiße Lampen können Ihre Hand verbrennen.
- Das Gerät darf nicht ohne Ölfilter betrieben werden. Entfernen Sie die Filter nicht, während das Gerät in Betrieb ist. Andernfalls können das Produkt und die elektrischen Anschlüsse durch das Öl beeinträchtigt werden.
- Keine große Flamme unter dem Produkt erzeugen. Andernfalls kann sich das Öl im Ölfilter entzünden und einen Brand verursachen.
- Schalten Sie den Backofen aus, bevor Sie Kochtöpfe, Pfannen usw. aus dem Backofen

nehmen. Andernfalls könnte Ihr Produkt durch Flammen und zunehmende Hitze beschädigt werden.

- Stellen Sie niemals brennbare oder sturzgefährdete Gegenstände auf die Haube. Sie könnten sonst auf den Hopfen fallen und diesen verbrennen oder in das Essen fallen und den Benutzer verletzen,
- Bewahren Sie keine leicht entflammbaren Materialien unter Ihrer Haube auf.
- (Für Modelle A und B) Lassen Sie Ihre Dunstabzugshaube nach dem Koch- oder Bratvorgang weitere 15 Minuten laufen, um die Küchenluft gründlich von Gerüchen und Dämpfen zu reinigen, die beim Kochen entstehen.
- (Der Raum muss gut belüftet sein, wenn die Dunstabzugshaube in demselben Bereich wie ein mit Gas oder Flüssigbrennstoff betriebenes Gerät verwendet wird.
- Der Schornstein von Geräten wie Raumheizungen, die mit Gas oder Flüssigbrennstoff betrieben werden, muss in der Umgebung, in der die Haube verwendet wird, vollständig isoliert sein, oder das Gerät muss hermetisch abgeschlossen sein.

- Wenn in der gleichen Umgebung mit Dunstabzugshaube ein anderes Gerät mit anderer Energie als elektrischer Energie betrieben wird, sollte der Unterdruck im Raum maximal 0,04 mbar betragen, damit die Abluft des anderen Geräts nicht durch die Belüftung in den Raum zurückgezogen wird.
- An den Haubengriffen dürfen keine leicht entzündlichen und brennbaren Materialien aufgehängt (wenn überhaupt) werden.
- Unter der Haube darf kein offenes Feuer sein. (zum Beispiel: flambieren)
- **Vorsicht:** Zugängliche Teile können sich bei Verwendung mit einem Herd erhitzen.



1.7 Sicherheitshinweise zum Reinigen und Pflegen

- Das auf der Haube und dem Fettfilter angesammelte Fett muss in den angegebenen Intervallen gereinigt werden. Ansonsten besteht Brandgefahr!
- Es wird empfohlen, den Filter bei normalem Gebrauch einmal im Monat zu reinigen. Andernfalls könnte die Ölsammlung im Filter Feuer fangen und eine Gefahr darstellen.

- Waschen Sie das Gerät nicht mit Wasser ab, besprühen Sie das Gerät nicht mit Wasser! Es besteht Stromschlaggefahr!
- Verwenden Sie zum Reinigen des Produkts keine Dampfreiniger, da dies einen elektrischen Schlag verursachen kann.

2 Hinweise zum Umweltschutz

2.1 Abfallrichtlinie

2.1.1 Informationen zur Entsorgung

Dieses Produkt entspricht der EU-WEEE-Richtlinie (2012/19/EU). Dieses Produkt trägt ein Klassifizierungssymbol für elektrische und elektronische Altgeräte (WEEE).



Dieses Produkt wurde Teilen und Materialien von hoher Qualität gefertigt, die wiederverwendet werden können und zum Recycling geeignet sind.

Entsorgen Sie das Abfallprodukt am Ende seiner Lebensdauer nicht mit dem normalen Hausmüll und anderen Abfällen. Bringen Sie es zu einer Recyclingstation für elektrische und elektronische Altgeräte. Diese Sammelstellen können Sie bei Ihrer örtlichen Verwaltung erfragen.

gen. Die ordnungsgemäße Entsorgung des Geräts trägt dazu bei, negative Folgen für die Umwelt und die menschliche Gesundheit zu vermeiden.

Einhaltung der RoHS-Richtlinie:

Das von Ihnen erworbene Produkt entspricht der EU-RoHS-Richtlinie (2011/65/EU). Es enthält keine schädlichen und verbotenen Materialien, die in der Richtlinie angegeben sind.

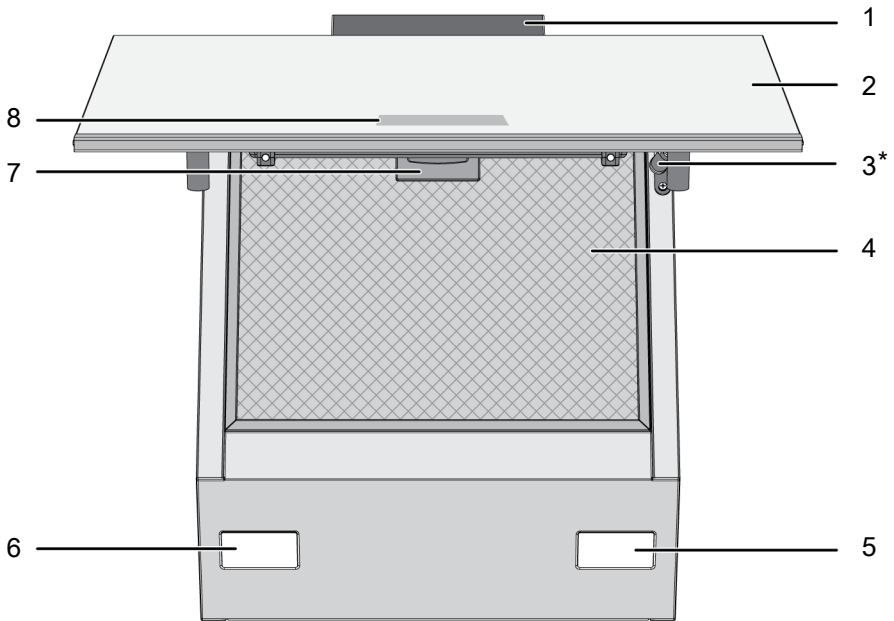
2.2 Paketinformationen

Verpackungsmaterialien des Produkts werden gemäß unseren nationalen Umweltvorschriften aus recycelbaren Materialien hergestellt. Entsorgen Sie den Verpackungsabfall nicht mit dem Hausmüll oder anderen Abfällen, sondern bringen Sie ihn zu den von den örtlichen Behörden vorgesehenen Sammelstellen für Verpackungsmaterial.

3 Ihr neues Gerät

3.1 Produktübersicht

DE



1 Haubenkörper

3 Dämpfer

5 Lampe

7 Metallfettfilterverschluss

2 Haubenglasdeckel

4 Metallfettfilter

6 Lampe

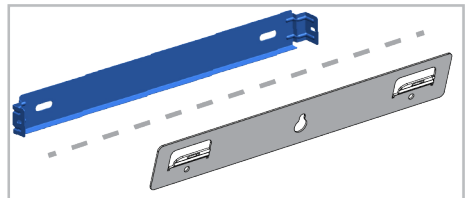
8 Bedienfeld

* Abhängig vom Modell. Möglicherweise ist es bei Ihrem Produkt nicht verfügbar.

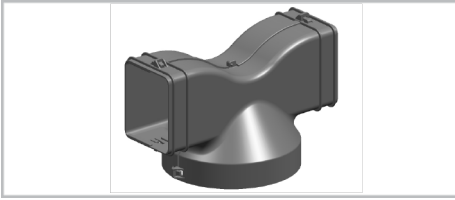
3.2 Produktzubehör

Je nach Gerätemodell wird unterschiedliches Zubehör angeboten. Eventuell ist nicht sämtliches in dieser Anleitung beschriebene Zubehör für Ihr Gerät erhältlich.

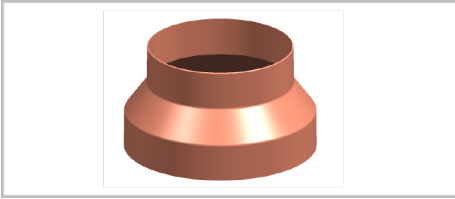
Wandmontage teil



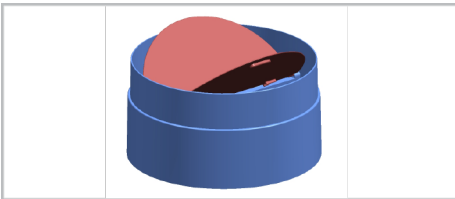
Luftrouter



Abgasanschlussadapter



Abdeckungen, um einen umgekehrten Luftstrom zu verhindern



3.3 Technische Spezifikationen

Produkt-Außenabmessungen (Höhe/Breite/Tiefe) (mm)	min. 910 - max. 1138 /595 /419
Spannung / Frequenz	220-240 V ~1N; 50 Hz
Gesamte Leistungsaufnahme	max. 300 W
Saugleistung	700-720 m ³ /h
Durchmesser des Luftauslassrohres	120-150 mm

Steuerung	
Modell A	3 Ebenen
Modell B	3 Stufen + 1 Booster
Modell C	3 Stufen + 1 Booster



Technische Spezifikationen können ohne vorherige Ankündigung geändert werden, um die Qualität des Produkts zu verbessern.



Die Abbildungen in diesem Handbuch sind schematisch und entsprechen möglicherweise nicht genau Ihrem Produkt.



Die auf den Produktetiketten oder in der Begleitdokumentation angegebenen Werte werden unter Laborbedingungen in Übereinstimmung mit den einschlägigen Normen ermittelt. Je nach Betriebs- und Umgebungsbedingungen des Produkts können diese Werte variieren.

4 Erste Verwendung

Bevor Sie Ihr Produkt verwenden, wird empfohlen, die in den folgenden Abschnitten aufgeführten Schritte durchzuführen.

4.1 Erstreinigung

1. Entfernen Sie das gesamte Verpackungsmaterial.
2. Wischen Sie die Außenflächen des Gerätes mit einem feuchten Tuch oder Schwamm ab, trocknen Sie mit einem trockenen Tuch nach.

HINWEIS: Einige Reinigungsmittel können die Oberfläche beschädigen. Verwenden Sie bei der Reinigung keine scheuernden Reinigungsmittel, Reinigungspulver, Reinigungscremes oder scharfe Gegenstände.

HINWEIS: Bei der ersten Anwendung kann es über mehrere Stunden zu Rauch- und Geruchsentwicklung kommen. Dies ist normal, und Sie brauchen nur eine gute Belüftung, um bei zu entfernen. Vermeiden Sie das direkte Einatmen von Rauch und Gerüchen, die sich bilden.

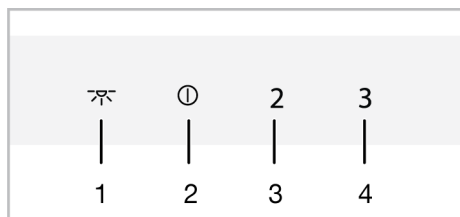
5 Nutzung der Dunstabzugshaube

Die Dunstabzugshaube hat einen Motor mit verschiedenen Geschwindigkeiten. Für eine gute Leistung empfehlen wir, unter normalen Bedingungen niedrige Geschwindigkeiten und bei starker Geruchs- und Dampfkondensation hohe Geschwindigkeiten zu verwenden.



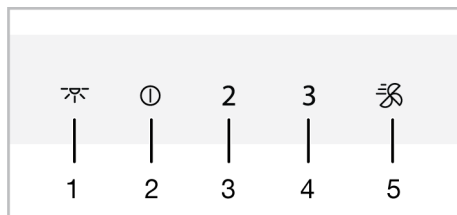
Das Programm wird abgebrochen, wenn der Strom ausfällt, wenn Programme in Ihrer Dunstabzugshaube aktiv sind.

MODELL A



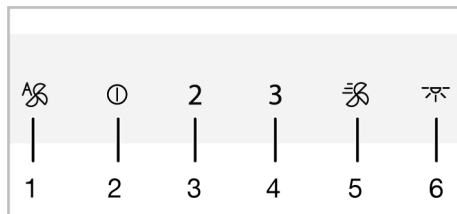
- 1 Lampen-Taste
- 2 Ein-Aus/Stufe 1 Taste
- 3 Stufe 2 Taste
- 4 Stufe 3 Taste

MODELL B



- 1 Lampen-Taste
- 2 Ein-Aus/Stufe 1 Taste
- 3 Stufe 2 Taste
- 4 Stufe 3 Taste
- 5 Booster-Taste

MODELL C



- 1 Automatikmodustaste
- 2 Ein-Aus/Stufe 1 Taste
- 3 Stufe 2 Taste
- 4 Stufe 3 Taste
- 5 Booster-Taste
- 6 Lampen-Taste


Bedienung der Dunstabzugshaube

1. Berühren Sie die gewählte Geschwindigkeitsstufentaste, um die Dunstabzugshaube zu bedienen.
 - ⇒ Die Taste für die eingestellte Geschwindigkeitsstufe leuchtet.
2. Sie können die anderen Geschwindigkeitsstufentasten berühren, um die Geschwindigkeitsstufe zu ändern.




Im Betrieb läuft das Produkt maximal 6 Stunden, wenn keine Taste berührt wird.


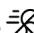
Dunstabzugshaube ausschalten

1. Um die Dunstabzugshaube auszuschalten, berühren Sie erneut die Stufentaste der Dunstabzugshaube oder die Taste .



Wenn Sie die  Taste mit einer aktiven Funktion außer der Lampe berühren, wird die Funktion abgebrochen.

Einschalten des Intensivbeatmungsmodus (Booster) (für Modelle B und C)

1.  Taste einmal drücken, um die Dunstabzugshaube im Intensivlüftungsmodus zu starten.
 - ⇒ Der Intensivbeatmungsmodus startet und läuft für maximal 10 Minuten. Während dieser Zeit leuchtet die  Taste. Nach 10 Minuten läuft das Produkt in Geschwindigkeit 3 weiter und die Taste Geschwindigkeit 3 leuchtet auf.



Wenn im Intensivlüftungsmodus eine beliebige Geschwindigkeitstaste berührt wird, kehrt sie zu dieser Geschwindigkeitsstufe zurück und arbeitet weiter.

Betrieb der Lampe

1. Berühren Sie die Taste, um die Lampe zu bedienen.
 - ⇒ Dunstabzugshaube leuchtet. (Für Modelle B und C) Wenn Sie die Taste innerhalb der ersten 1 Minute erneut berühren, leuchtet die Lampe weiterhin bei geringer Beleuchtungsstärke. Wenn Sie ihn 1 Minute nach dem Einschalten der Lampe erneut berühren, schaltet sie sich aus.



Die Beleuchtungslampen sind maximal 12 Stunden in Betrieb.

Ausschalten der Lampe

1. Eine Minute nach dem Einschalten der Dunstabzugshaubenlampe können Sie sie durch erneutes Berühren der Taste ausschalten.



(Für Modelle B und C) Wenn Sie die Taste innerhalb der ersten 1 Minute nach dem Einschalten der Lampe erneut berühren, schaltet die Lampe auf eine niedrige Beleuchtungsstufe um.

Einstellen der Beleuchtungsfarbe (für Modelle B und C)

Sie können die Farbe der Beleuchtungslampen Ihrer Dunstabzugshaube in 3 verschiedenen Farbtönen verwenden.

1. Berühren Sie bei eingeschalteter Dunstabzugshaubenlampe die Taste länger als 2 Sekunden.
 - ⇒ Die Lampe wechselt in den anderen Farbton.
2. Wenn Sie die Taste weiter berühren, wechselt sie alle 2 Sekunden zum nächsten Farbton. Hören Sie entsprechend dem gewünschten Farbton auf, die Taste zu berühren, wenn sich die Lampe in diesem Farbton befindet. Der Farbton wird automatisch aktiviert.




Sie können den Lichtfarbton nur ändern, wenn die Lampe eine hohe Lichtintensität hat.



Bei einem Stromausfall merkt sich Ihre Dunstabzugshaube den eingestellten Farbton und die Lampe arbeitet in der zuletzt eingestellten Farbe.

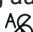
Automatikmodus (für Modell C)

Ihre Dunstabzugshaube misst die Temperatur der Luft in der Küche und der Luft, die aus Ihrem Kochfeld kommt, mithilfe eines Sensors. Im Automatikbetrieb bestimmt er die erforderliche Temperatur der Kochfeldluft passend zur Lufttemperatur in der Küche und arbeitet mit automatisch ermittelten Werten.

- Um den Automatikmodus zu aktivieren, berühren Sie die Taste .
 - ⇒ Der Automatikmodus wird aktiviert und läuft, bis die Lufttemperatur des Kochfelds der Umgebungstemperatur entspricht. Sie wird automatisch ausgeschaltet, wenn Temperatur ausgeglichen ist. Sie müssen den Automatikmodus erneut aktivieren, um ihn wieder einzuschalten.



Während der Automatikmodus aktiv ist, wird der Automatikmodus abgebrochen, wenn Sie das Produkt mit beliebiger Geschwindigkeit ein- und ausschalten.

- Um den Automatikmodus vorzeitig auszuschalten, berühren Sie die Taste  erneut.



Wenn Sie die Abdeckung des Produkts öffnen, während der Automatikmodus aktiviert ist, nimmt die Leistung ab. Öffnen Sie die Abdeckung nicht, wenn der Automatikmodus aktiv ist.



Wenn die Umgebungstemperaturdifferenz auch dann auftritt, wenn das Kochfeld nicht in Betrieb ist, während der Automatikmodus aktiv ist, erkennt der Temperatursensor im Produkt die Differenz und das Produkt kann je nach Differenz mit Geschwindigkeit 2 oder 3 arbeiten. In diesem Fall wird der Automatikmodus ausgeschaltet, wenn die Temperaturdifferenz ausgeglichen ist.



Verwenden Sie den Automatikmodus nicht, wenn Ihr Kochfeld nicht funktioniert.

Luftreinigungsmodus (für Modelle B und C)

Sie können den Luftreinigungsmodus verwenden, um den Geruch in Ihrem Haus über einen längeren Zeitraum auf niedriger Stufe zu beseitigen.

- Berühren Sie die Taste Stufe 1 länger als 3 Sekunden.
 - ⇒ Der Luftreinigungsmodus ist aktiviert. Das Licht der Taste Stufe 1 blinkt, wenn der Luftreinigungsmodus aktiv ist.
- Der Luftreinigungsmodus läuft 10 Minuten in 1 Stunde mit Stufe 1 und stoppt dann für 50 Minuten. Wenn Sie den Luftreinigungsmodus nicht ausschalten, bleibt er 10 Minuten lang in Betrieb und schaltet dann 24 Stunden lang jede Stunde für 50 Minuten ab.



Wenn der Luftreinigungsmodus aktiv ist, wird er automatisch durch Drücken einer beliebigen Taste außer der Lampentaste abgebrochen. Ihre Dunstabzugshaube arbeitet weiterhin mit der Funktion der Taste, die Sie berühren.

Füllwarnung für Aluminiumfilter

Das Licht der Taste Stufe 2 blinkt nach jeweils 100 Betriebsstunden für dreißig Sekunden. Reinigen Sie die Aluminiumfilter.

Nach dem Reinigen erlischt die Lampenwarnung der Taste Geschwindigkeit 2 nicht automatisch. Dieses Produkt zeigt weiterhin die 30-Sekunden-Warnung an, wenn sich das Produkt nach jedem Betrieb ausschaltet. Wenn Sie die Stufentaste 2 länger als 3 Sekunden berühren, wird die Füllwarnung des Aluminiumfilters zurückgesetzt und die Lampe ausgeschaltet.



Die Warnung wird nicht gelöscht, wenn die Stromzufuhr unterbrochen wird, während die Dunstabzugshaube eine Warnung zum Füllen des Aluminiumfilters ausgibt. Wenn Strom verfügbar ist, warnt es weiterhin mit dem Blinken der Stufe 2 Taste.



Wenn Sie die Dunstabzugshaube mit der Aluminiumfilter-Füllwarnung in einer beliebigen Stufe betreiben, wird die Warnung nicht angezeigt, solange die Haube in Betrieb ist. Beim Ausschalten der Dunstabzugshaube beginnt die Füllwarnung erneut für 30 Sekunden zu blinken.



Wenn Sie die Warnung ausschalten, ohne den Aluminiumfilter zu reinigen, wird die Betriebszeit von 100 Stunden zurückgesetzt und es beginnt von vorne. Nach Ablauf der nächsten 100 Stunden warnt Ihre Dunstabzugshaube erneut.

Füllwarnung für Kohlefilter (für Produkte mit Kohlefilter)

Das Licht der Taste Stufe 2 blinkt nach jeweils 100 Betriebsstunden für dreißig Sekunden. In diesem Fall müssen Sie Ihren

Kohlefilter ersetzen. Wenden Sie sich hierfür an einen autorisierten Kundendienst. Nach dem Austausch erlischt die Lampenwarnung der Taste Geschwindigkeit 2 nicht automatisch. Dieses Produkt zeigt weiterhin die 30-Sekunden-Warnung an, wenn sich das Produkt nach jedem Betrieb ausschaltet. Wenn Sie die Stufentaste 2 länger als 3 Sekunden berühren, wird die Füllwarnung des Kohlefilters zurückgesetzt und die Lampe ausgeschaltet.



Die Warnung wird nicht gelöscht, wenn die Stromzufuhr unterbrochen wird, während die Dunstabzugshaube eine Warnung zum Füllen des Kohlefilters ausgibt. Wenn Strom verfügbar ist, warnt es weiterhin mit dem Blinken der Stufe 2 Taste.



Wenn Sie Ihre Dunstabzugshaube mit der Kohlefilter-Füllwarnung in einer beliebigen Stufe betreiben, wird die Warnung nicht angezeigt, solange die Dunstabzugshaube in Betrieb ist. Beim Ausschalten der Dunstabzugshaube beginnt die Füllwarnung erneut für 30 Sekunden zu blinken.



Wenn Sie die Warnung ausschalten, ohne den Kohlefilter auszutauschen, wird die Betriebszeit von 100 Stunden zurückgesetzt und es beginnt von vorne. Nach Ablauf der nächsten 100 Stunden wird erneut gewarnt.

6 Wartung und Reinigung

6.1 Allgemeine Reinigungshinweise

Allgemeine Warnungen

- Warten Sie, bis das Produkt abgekühlt ist, bevor Sie das Produkt reinigen. Heiße Oberflächen verursachen Verbrennungen!

- Tragen Sie die Reinigungsmittel nicht direkt auf die heißen Oberflächen auf. Dies kann zu dauerhaften Flecken führen.

- Das Produkt muss nach jedem Vorgang gründlich gereinigt und getrocknet werden. Deshalb müssen Speisereste leicht zu reinigen sein und ein Verbrennen dieser Rückstände zu verhindern sein, wenn das Produkt später wieder verwendet wird. Dadurch verlängert sich die Lebensdauer des Geräts und häufig auftretende Probleme werden verringert.
- Verwenden Sie zur Reinigung keine Dampf Reinigungsmittel.
- Einige Reinigungsmittel können die Oberfläche beschädigen. Ungeeignete Reinigungsmittel sind: Bleichmittel, ammoniak-, säure- oder chloridhaltige Reinigungsmittel, Dampfreiniger, Entkalker, Flecken- und Rostentferner, scheuernde Reinigungsmittel (Cremereiniger, Scheuermittel, Scheuerepulver, Scheuercreme, Scheuer- und Kratzbürsten, Draht, Schwämme, Reinigungstücher mit Schmutz- und Waschmittelmittelnrückständen).
- Bei der Reinigung nach jedem Gebrauch wird kein spezielles Reinigungsmaterial benötigt. Reinigen Sie das Gerät mit Spülmittel, warmem Wasser und einem weichen Tuch oder Schwamm. Anschließend trocknen Sie alles mit einem trockenen Tuch gut ab.
- Achten Sie darauf, dass nach dem Reinigen keine Flüssigkeit im Ofeninneren zurückbleibt, entfernen Sie Speisereste am besten gleich beim Kochen.
- Waschen Sie keine Bestandteile Ihres Gerätes in der Spülmaschine, sofern in der Bedienungsanleitung nicht anders angegeben.
- Reinigen Sie sie mit einem weichen Schwammtuch und einem flüssigen (nicht kratzenden) Reinigungsmittel, das für Inox-Oberflächen geeignet ist, und wischen Sie sie in eine Richtung ab.
- Entfernen Sie Kalk-, Öl-, Stärke-, Milch- und Eiweißflecken auf den Glas- und Innoxoberflächen, umgehend ohne zu warten. Bestimmte Flecken können bei längerer Einwirkzeit Rost verursachen.
- Reinigungsmittel, die auf die Oberfläche gesprüht/aufgetragen werden, sollten sofort gereinigt werden. Grobe Reiniger, die auf der Oberfläche verbleiben, lassen die Oberfläche weiß werden.

Glasflächen

- Verzichteten Sie beim Reinigen der Glasflächen auf Metallschaber und Scheuermittel. Solche Hilfsmittel können das Glas zerkratzen oder blind machen.
- Reinigen Sie das Gerät mit Spülmittel, warmem Wasser und einem Mikrofasertuch speziell für Glasoberflächen und trocknen Sie es mit einem trockenen Mikrofasertuch.
- Falls nach dem Reinigen Rückstände verbleiben sollten, wischen Sie diese mit kaltem Wasser ab, anschließend trocknen Sie mit einem sauberen trockenen Mikrofasertuch nach. Reinigungsmittelnrückstände können das Glas beim nächsten Einsatz beschädigen.
- Versuchen Sie unter keinen Umständen, angetrocknete Reste am Glas mit Wellenschliffmessern, Stahlwolle, Metallschabern oder ähnlichen Werkzeugen zu reinigen.
- Kalkflecken (gewöhnlich gelblich bis bräunlich, manchmal auch rötlich) am Glas beseitigen Sie am besten mit handelsüblichem Kalkentferner oder kalklösenden Hausmitteln.
- Wenn die Oberfläche stark verschmutzt ist, tragen Sie das Reinigungsmittel mit einem Schwamm auf den Fleck auf und warten Sie so lange, bis er richtig funktioniert. Anschließend reinigen Sie die Glasfläche mit einem feuchten Tuch.
- Verwenden Sie keine säure- oder chlorhaltigen Reinigungsmittel, um Oberflächen und Griffe aus Edelstahl-Inox zu reinigen.
- Oberflächen aus Edelstahl-Inox können mit der Zeit ihre Farbe ändern. Das ist normal. Reinigen Sie nach jedem Betrieb mit einem Reinigungsmittel, das für Oberflächen aus Edelstahl oder Inox geeignet ist.

- Verfärbungen und Flecken auf den Glasflächen treten im Laufe der Zeit unweigerlich auf, dies ist völlig normal.

Kunststoff- und lackierte Teile

- Reinigen Sie Kunststoff- und lackierte Teile mit Spülmittel, warmem Wasser und einem weichen Tuch oder Schwamm. Anschließend trocknen Sie alles mit einem trockenen Tuch gut ab.
- Verzichten Sie auf Metallschaber und Scheuermittel. Sie können die Oberflächen Schaden nehmen.
- Stellen Sie sicher, dass die Verbindungen der Komponenten des Produkts nicht so feucht und mit Reinigungsmittel belassen werden. Andernfalls kann es zu Korrosion an diesen Verbindungen kommen.

6.2 Bedienfeld reinigen

- Wischen Sie die Panele und die Knöpfe mit einem feuchten, weichen Tuch ab und trocknen Sie sie mit einem trockenen Tuch. Entfernen Sie nicht die darunter liegenden Knöpfe und Dichtungen, um die Platte zu reinigen. Das Bedienfeld und die Knöpfe können beschädigt werden.
- Verwenden Sie beim Reinigen der Inox-Bedienfelder mit Knopfgregler keine Inox-Reinigungsmittel um die Knöpfe. Die Anzeigen um den Drehknopf können gelöscht werden.
- Reinigen Sie die Sensorflächen mit einem weichen, leicht feuchten Tuch, trocknen Sie danach mit einem trockenen Tuch gut nach. Wenn Ihr Gerät mit einer Kindersicherung ausgestattet ist, stellen Sie diese vor dem Reinigen des Bedienfeldes ein. Andernfalls kann es zum ungewollten Auslösen verschiedener Funktionen kommen.

6.3 Metallfettfilter

Dieser Filter dient dazu, Fettpartikel in der Luft zurückzuhalten. **Es wird empfohlen, den Filter bei normalem Gebrauch einmal im Monat zu reinigen.** Um das zu erreichen:

1. Entfernen Sie die Metallfettfilter.

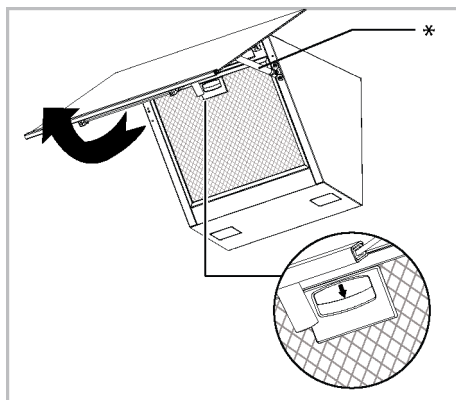
2. Waschen Sie die Filter in Wasser mit flüssigem Reinigungsmittel und setzen Sie sie nach dem Trocknen wieder ein. Metallfettfilter können beim Waschen ihre Farbe ändern. Dies ist normal und erfordert keinen Austausch der Filter.



Sie können den Metallfettfilter auch in der Spülmaschine reinigen. (max. 70 °C)

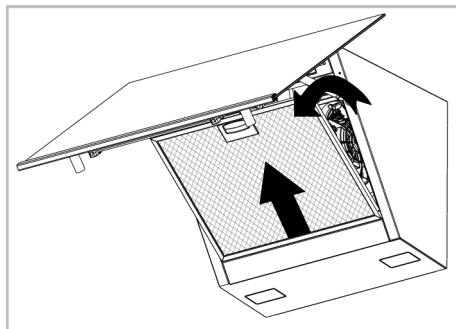
Entfernen der Metallfettfilter

1. Haubendeckel nach oben öffnen und Alu-Filterverschluss nach unten ziehen, wie in der Abbildung gezeigt.



* Der Dämpfer ist optional. Es ist möglicherweise nicht in Ihrem Produkt verfügbar.

2. Ziehen Sie den Filter zuerst vorsichtig zu sich heran und ziehen Sie ihn nach oben, um ihn aus seinem Steckplatz zu entfernen.



3. Setzen Sie den Metallfettfilter nach dem Spülen wieder in seinen Schlitz ein, indem Sie die obigen Schritte in umgekehrter Reihenfolge ausführen.

6.4 Aktivkohlefilter (Verwendung ohne Abluft)

Allgemeine Warnungen

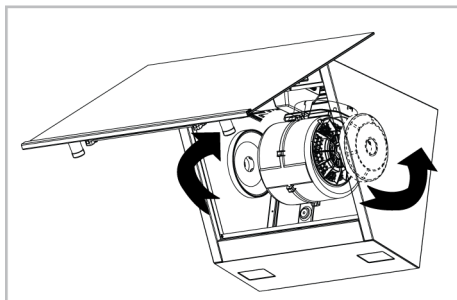
- Wenn Sie Ihr Produkt ohne Abluft installiert haben, sollten Sie Ihre Aktivkohlefilter bei normalem Gebrauch alle 4 Monate austauschen. Sie können den Aktivkohlefilter von autorisierten Kundendienststellen beziehen.
- Der Aktivkohlefilter sollte niemals gewaschen werden.
- Wenn Sie die Regeln zum Reinigen und Ersetzen der Filter Ihrer Dunstabzugshaube nicht befolgen, können Sie einen Brand verursachen.



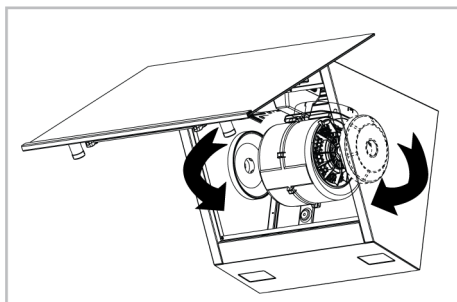
Bei der Verwendung von Kohlefiltern steigt der Schallpegel und die Durchflussleistung sinkt.

Entfernen der Aktivkohlefilter

1. Öffnen Sie die Glasabdeckung der Dunstabzugshaube und entfernen Sie den Metallfettfilter.
2. Schrauben Sie die Aktivkohlefilter rechts und links vom Motor ab.



3. Setzen Sie die Nasenschlitze Ihrer neuen Kohlefilter in die Nasen am Motorhalter ein und drehen Sie sie im Uhrzeigersinn, um sie einzurasten.



4. Schließen Sie die Glasabdeckung der Dunstabzugshaube nach dem Einbau des Aluminiumfilters.

6.5 Haubenlampe

Bei einer Fehlfunktion der Lampe in der Dunstabzugshaube wenden Sie sich an Ihren Händler vor Ort oder den Kundendienst und sorgen Sie dafür, dass die Lampe ausgetauscht wird.

7 Fehlerbehebung

Sollte das Problem nach dem Ausführen der hier gegebenen Anweisungen fortbestehen, wenden Sie sich bitte an den Kundendienst oder den Fachhändler. Versuchen Sie niemals ihr Gerät selbständig zu reparieren.

Gerät funktioniert nicht.

- Sicherung ist möglicherweise defekt oder durchgebrannt. >>> Überprüfen Sie die Sicherungen im Sicherungskasten. Falls nötig, ersetzen oder reaktivieren Sie sie.
- Das Produkt ist möglicherweise nicht eingesteckt. >>> Prüfen Sie, ob das Produkt an die Steckdose angeschlossen ist oder nicht.
- Die Geschwindigkeitstaste ist möglicherweise nicht eingestellt. >>> Drücken/berühren Sie die gewünschte Geschwindigkeitstaste.
- Möglicherweise gibt es keinen Strom. >>> Stellen Sie sicher, dass das Stromnetz betriebsbereit ist und überprüfen Sie die

Sicherungen im Sicherungskasten. Tauschen Sie bei Bedarf die Sicherungen aus oder aktivieren Sie diese wieder.

Haubenlicht ist nicht an.

- Die Haubenlampe ist möglicherweise defekt. >>> Wenden Sie sich an Ihren Händler vor Ort, bei dem Sie Ihr Produkt gekauft haben, oder an den Kundendienst und stellen Sie sicher, dass die Lampe ausgetauscht wird.
- Möglicherweise gibt es keinen Strom. >>> Stellen Sie sicher, dass das Stromnetz betriebsbereit ist und überprüfen Sie die Sicherungen im Sicherungskasten. Tauschen Sie bei Bedarf die Sicherungen aus oder aktivieren Sie diese wieder.

Bienvenue !

Cher client, chère cliente

Nous vous remercions d'avoir choisi l'appareil Beko . Nous voulons que votre appareil de haute qualité et doté d'une technologie de pointe vous offre une efficacité optimale. Pour ce faire, lisez attentivement ce manuel et tout autre document fourni avant d'utiliser l'appareil.

Tenez compte de toutes les informations et avertissements figurant dans le manuel d'utilisation. Ainsi, vous vous protégerez, vous et votre produit, contre d'éventuels dangers.

Conservez le manuel d'utilisation. Si vous donnez l'appareil à quelqu'un d'autre, donnez également le manuel. Les conditions de garantie, les méthodes d'utilisation et de dépannage de votre appareil sont indiquées dans ce manuel.

Les symboles et leurs descriptions dans le manuel de l'utilisateur :



Danger pouvant entraîner la mort ou des blessures.



Informations importantes et conseils d'utilisation utiles.



Lisez le manuel d'utilisation.



Attention aux surfaces chaudes.

**RE-
MARQUE**

Danger pouvant entraîner des dommages matériels à l'appareil ou à son environnement.

Arçelik A.Ş.
Karaağaç caddesi No:2-6
34445 Sütlüce/Istanbul/TURKEY
Made in TURKEY

Table des matières

1	Consignes de sécurité.....	46
1.1	Utilisation prévue.....	46
1.2	Sécurité des enfants, des personnes vulnérables et des animaux domestiques.....	46
1.3	Sécurité électrique.....	47
1.4	Sécurité des transports.....	49
1.5	Sûreté des installations	49
1.6	Sécurité d'utilisation.....	50
1.7	Sécurité relative à l'entretien et au nettoyage	52
2	Instructions relatives à l'environnement.....	52
2.1	Directive sur les déchets.....	52
2.1.1	Conformité avec la directive DEEE et élimination des déchets	52
2.2	Informations sur l'emballage.....	53
3	Votre appareil.....	53
3.1	Présentation de l'appareil	53
3.2	Accessoires de l'appareil	53
3.3	Spécifications techniques	55
4	Première utilisation.....	56
4.1	Premier nettoyage	56
5	Utilisation de la hotte	56
6	Entretien et nettoyage.....	60
6.1	Consignes de nettoyage générales.....	60
6.2	Nettoyage du panneau de commande	61
6.3	Filtre en aluminium.....	61
6.4	Filtre à charbon (utilisation sans conduit de fumée)	62
6.5	Lampe de la hotte.....	63
7	Dépannage	63



1 Consignes de sécurité

- Cette section contient les instructions de sécurité nécessaires à la prévention des risques de dommage corporel ou de dommage matériel.
- Si l'appareil est remis à une autre personne pour un usage personnel ou à des fins d'utilisation d'occasion, le manuel d'utilisation, les étiquettes de l'appareil et les autres documents et pièces pertinents doivent également être remis.
- Notre entreprise ne peut être tenue pour responsable des dommages qui peuvent survenir si ces instructions ne sont pas respectées.
- Le non-respect de ces instructions annule toute garantie.
- Faites toujours effectuer les travaux d'installation et de réparation par le fabricant, le service agréé ou une personne que l'entreprise importatrice désignera.
- Utilisez uniquement des pièces d'origine et des accessoires d'origine.
- Évitez de réparer ou de remplacer tout composant de l'appareil sauf si cela est clairement spécifié dans le manuel d'utilisation.

- N'apportez pas de modifications techniques à l'appareil.



1.1 Utilisation prévue

- Cet appareil est conçu pour être utilisé à domicile. Il n'est pas destiné à un usage commercial.
- N'utilisez pas l'appareil dans les jardins, les balcons ou autres environnements extérieurs. Cet appareil est destiné à une utilisation dans les ménages et dans les cuisines du personnel de magasins, de bureaux et d'autres environnements de travail.

1.2 Sécurité des en-



fants, des personnes vulnérables et des animaux domestiques

- Cet appareil peut être utilisé par des enfants de 8 ans et plus et par des personnes dont les aptitudes physiques, sensorielles ou mentales sont sous-développées, ou qui manquent d'expérience et de connaissances, à condition qu'ils soient encadrés ou formés à l'utilisation sécuritaire et aux dangers de l'appareil.

- Les enfants ne doivent pas jouer avec l'appareil. Ne laissez pas les enfants effectuer le nettoyage et l'entretien de l'appareil, à moins qu'ils soient sous surveillance.
 - Cet appareil ne doit pas être utilisé par des personnes ayant des capacités physiques, sensorielles ou mentales limitées (y compris les enfants), sauf si elles sont gardées sous surveillance ou reçoivent les instructions nécessaires.
 - Les enfants doivent être surveillés afin de s'assurer qu'ils ne jouent pas avec l'appareil.
 - Les appareils électriques sont dangereux pour les enfants et les animaux domestiques. Les enfants et les animaux de compagnie ne doivent pas jouer avec l'appareil.
 - Conservez les matériaux d'emballage hors de la portée des enfants. Ils pourraient entraîner des lésions ou une asphyxie.
 - Avant de mettre au rebut un appareil usagé ou hors service :
 1. Débranchez l'appareil (s'il est branché).
 2. Coupez le câble d'alimentation et détachez-le de l'appareil avec la fiche.
 - 3. Ne laissez pas les enfants jouer avec l'appareil lorsqu'il est en veille.
-  **1.3 Sécurité électrique**
- Branchez l'appareil à un courant avec prise de terre protégée par un fusible qui correspond aux courants nominaux indiqués sur la plaque signalétique. Contactez un technicien qualifié pour l'installation de la mise à la terre. N'utilisez pas l'appareil sans prise de terre conformément aux réglementations locales / nationales.
 - La fiche ou les raccords électriques de l'appareil doivent être facilement accessibles. Si cela est impossible, il doit y avoir un mécanisme (fusible, interrupteur, interrupteur à clé, etc.) sur l'installation électrique à laquelle l'appareil est connecté, conforme à la réglementation électrique et séparant tous les pôles du réseau.
 - Débranchez l'appareil ou coupez le fusible avant toute tâche de réparation, de maintenance ou de nettoyage.
 - Branchez l'appareil dans une prise conforme aux valeurs de tension et de fréquence indiquées sur la plaque signalétique.

- (Si l'appareil n'est pas équipé d'un câble d'alimentation) utilisez uniquement le câble de connexion présenté dans la section « Spécifications techniques ».
 - Ne branchez pas votre hotte avant qu'elle ne soit montée.
 - Ne bloquez pas le cordon d'alimentation sous et derrière l'appareil. Ne placez aucun objet lourd sur le cordon d'alimentation. Le cordon d'alimentation ne doit pas être plié, coincé, ni entrer en contact avec une source de chaleur.
 - N'installez pas le cordon d'alimentation près d'un radiateur. Le câble pourrait fondre et provoquer un incendie.
 - Assurez-vous de ne pas coincer le câble d'alimentation lors de la mise en place de l'appareil après le montage ou le nettoyage.
 - Ne branchez pas votre hotte avant qu'elle ne soit montée.
 - Utilisez uniquement des câbles originaux. N'utilisez pas de câbles endommagés.
 - N'utilisez pas de rallonge ni de multiprises pour brancher l'appareil.
 - Contactez le service technique agréé ou l'importateur pour utiliser l'adaptateur approuvé lorsque l'utilisation d'un adaptateur convertisseur (pour le type à brancher) est nécessaire.
 - Contactez l'exportateur ou le service technique agréé si la longueur du cordon d'alimentation est inappropriée.
 - Les sources d'alimentation portables ou les multiprises peuvent surchauffer ou prendre feu. Tenez les sources d'alimentation portables ou les multiprises loin de l'appareil.
 - Si le cordon d'alimentation est endommagé, il doit être remplacé par le fabricant, un service autorisé ou une personne désignée par l'entreprise importatrice afin de prévenir d'éventuels dangers.
 - Si votre appareil est équipé d'une fiche, n'effectuez pas de connexions électriques en débranchant la fiche pendant l'installation. Les connexions réalisées par coupure rendent la garantie du produit nulle et constituent un danger pour la sécurité de l'utilisateur.
- Si votre appareil est équipé d'un cordon et d'une fiche :
- Ne branchez jamais la fiche de l'appareil dans une prise cassée, détachée ou démontée. Assurez-vous que la fiche est entièrement insérée dans la

prise. Sinon, les branchements peuvent surchauffer ou prendre feu.

- Évitez d'insérer l'appareil dans des prises huileuses, sales ou potentiellement exposées à de l'eau (telles que celles près d'un plan de travail exposé à des fuites d'eau). Sinon, il y a un risque de court-circuit ou d'électrocution.
- Évitez de toucher la fiche avec des mains humides !
- Tirez la fiche de la prise en tenant le corps de la fiche plutôt que le cordon d'alimentation.

1.4 Sécurité des transports

- Avant le nettoyage, débranchez le produit de l'alimentation électrique avant de porter l'appareil.
- L'appareil est lourd, il doit être porté par au moins deux personnes.
- Ne posez pas d'objets sur l'appareil. Portez l'appareil verticalement.
- Lorsque vous souhaitez transporter l'appareil, emballez-le avec du matériel d'emballage à bulles ou du carton épais et attachez-le avec du ruban adhésif. Maintenez les parties mobiles de l'appareil bien fermes afin d'éviter tout dommage.

- Avant d'installer l'appareil, vérifiez s'il présente des dommages résultant du transport. Contactez l'exportateur ou le service technique autorisé s'il présente des dommages.

1.5 Sûreté des installations

- Pour que votre appareil soit prêt à l'emploi, il faut premièrement indiquer le lieu d'installation et faire réaliser l'installation électrique. Faites toujours réaliser l'installation par le fabricant, le service technique agréé ou un technicien désigné par l'exportateur.
- Pour que votre appareil soit prêt à l'emploi, il faut premièrement indiquer le lieu d'installation et faire réaliser l'installation électrique. Contactez ensuite le service technique agréé pour faire réaliser l'installation. Une fois l'installation effectuée par le service technique agréé, la période de garantie commence.
- Avant de commencer l'installation, coupez la ligne d'alimentation à laquelle sera branché l'appareil en désactivant le fusible.
- Portez toujours des gants de protection lors du transport et de l'installation. Le non-respect

de cette consigne peut entraîner un risque de blessure à cause de bords pointus.

- Avant d'installer l'appareil, vérifiez s'il présente des dommages. Ne faites pas installer l'appareil si celui-ci est endommagé.
- Évitez d'utiliser des matériaux d'isolation thermique pour recouvrir l'intérieur du meuble à installer.
- La zone d'installation de l'appareil ne doit être exposée aux rayons solaires ni à des sources de chaleur telles que les brûleurs électriques ou à gaz.
- Lorsqu'il se trouve une prise derrière l'emplacement d'installation de l'appareil, il est nécessaire de s'assurer que l'appareil n'est pas en contact avec cette prise ni qu'aucune fiche n'est branchée sur cette prise.
- Pour une utilisation avec des raccordements de cheminée, faites évaluer la cheminée à laquelle l'appareil sera raccordé par des techniciens qualifiés.
- La hauteur entre la surface inférieure de votre hotte et la surface supérieure du four ne doit pas être inférieure à 650 mm pour fours à gaz et à 500 mm pour les fours élec-

triques. Autrement, l'appareil peut être affecté par la chaleur ou les flammes de la cuisinière, ce qui présente un risque de sécurité.

- (Pour le modèle C) Dans les fours électriques, la performance la plus élevée de l'appareil est obtenue en laissant une hauteur de 550 mm.
- Ne raccordez pas la hotte à des cheminées utilisées comme des chauffe-flammes ou des radiateurs à flammes. Respectez les réglementations locales en matière de purge de l'écoulement.
- Utilisez des tuyaux d'un diamètre de 120 mm pour raccorder un conduit de fumée à votre appareil. Le raccordement des tuyaux doit être aussi court que possible et comporter peu de coudes.



1.6 Sécurité d'utilisation

- **Danger d'empoisonnement !** Pendant que l'appareil fonctionne, l'air est aspiré dans toute la maison. Si la ventilation n'est pas suffisante, le flux d'air, les déchets et les gaz toxiques libérés par la combustion dans la maison sont réabsorbés. Ne faites pas fonctionner l'appareil avec des appareils qui assurent la circu-

lation de l'air et qui peuvent émettre des gaz toxiques (bois, gaz, poêle à pétrole à charbon, chaudières, chauffe-eau, etc.)

- Assurez-vous d'éteindre l'appareil après chaque utilisation.
- Cessez d'utiliser l'appareil s'il connaît une panne ou s'il est endommagé pendant l'utilisation. Débranchez l'appareil de la prise électrique. Contactez l'importateur ou le service technique agréé.
- Ne touchez pas les lampes de votre hotte après avoir utilisé la hotte pendant une longue période. Sinon, vous risquez de vous brûler la main.
- N'utilisez pas l'appareil sans filtre à huile. Ne retirez pas les filtres lorsque l'appareil est en marche. Autrement l'huile peut compromettre les performances de l'appareil et la sécurité des branchements électriques.
- Ne créez pas de flamme vive sous l'appareil. Autrement, l'huile retenue par le filtre à huile peut prendre feu, ce qui pourrait causer un incendie.
- Éteignez le four avant de retirer les casseroles, poêles, etc. des fours. Autrement, les performances de l'appareil peuvent être compromises par les flammes et la chaleur croissante.
- Évitez de placer des objets combustibles ou susceptibles de tomber sur la hotte. Autrement, ces objets pourraient tomber sur la hotte, brûler ou tomber dans celle-ci et heurter l'utilisateur.
- Ne gardez pas de matériaux facilement inflammables sous votre hotte.
- (Pour les modèles A et B) Faites fonctionner votre hotte pendant encore 15 minutes après le processus de cuisson ou de friture pour nettoyer complètement l'air de la cuisine des odeurs et des vapeurs générées pendant la cuisson.
- (À l'exception des denrées qui renvoient de l'air vicié dans la pièce) La pièce doit être ventilée lorsque la hotte est utilisée à proximité de brûleurs à gaz ou à combustible liquide.
- La cheminée des appareils tels que les radiateurs fonctionnant au gaz ou au combustible liquide doit être entièrement isolé dans l'environnement d'utilisation de la haute, ou ces appareils doivent être de type hermétique.

- Si un autre appareil fonctionnant avec une énergie autre qu'électrique se trouve dans le même environnement avec ventilation, la pression négative dans la pièce doit être au maximum de 0,04 mbar afin que les gaz d'échappement de l'autre appareil ne soient pas aspirés dans la pièce par la ventilation.
- Évitez d'accrocher des matériaux inflammables sur les poignées de la hotte lorsque celle-ci est allumée.
- Il ne doit pas y avoir de feu ouvert sous le capot. (par exemple : flambé)
- **Mise en garde** : Les parties accessibles peuvent chauffer lorsqu'elles sont utilisées avec une cuisinière.

1.7 Sécurité relative à l'entretien et au nettoyage

- La graisse accumulée dans la hotte et le filtre à huile doit être nettoyée à intervalles réguliers. Autrement, un incendie pourrait survenir !
- Il est recommandé de nettoyer le filtre une fois par mois dans des conditions normales d'utilisation. Sinon, l'huile accumulée dans le filtre peut prendre feu, ce qui constitue une situation dangereuse.
- Ne lavez jamais l'appareil par pulvérisation ou aspersion d'eau ! Il existe un risque d'électrocution !
- N'utilisez pas de nettoyeur vapeur pour nettoyer l'appareil, car il peut provoquer un choc électrique.

2 Instructions relatives à l'environnement

2.1 Directive sur les déchets

2.1.1 Conformité avec la directive DEEE et élimination des déchets

Cet appareil est conforme à la directive DEEE de l'Union européenne (2012/19/UE). Le produit possède un symbole de classification attribué aux déchets d'équipements électriques et électroniques (DEEE).



Ce produit a été fabriqué avec des pièces et matériaux de qualité supérieure, réutilisables et adaptés au recyclage. Par conséquent, ne le mettez pas

au rebut avec les ordures ménagères et d'autres déchets à la fin de sa durée de vie. Rendez-vous dans un point de collecte pour le recyclage de tout matériel électrique et électronique. Vous pouvez demander à votre administration locale quels sont ces points de collecte. L'élimination correcte de l'appareil permet d'éviter les conséquences négatives pour l'environnement et la santé humaine.

Conformité avec la directive RoHS :

Votre appareil est conforme à la directive RoHS de l'Union européenne (2011/65/UE). Il ne comporte pas de matériaux dangereux et interdits mentionnés dans la directive.

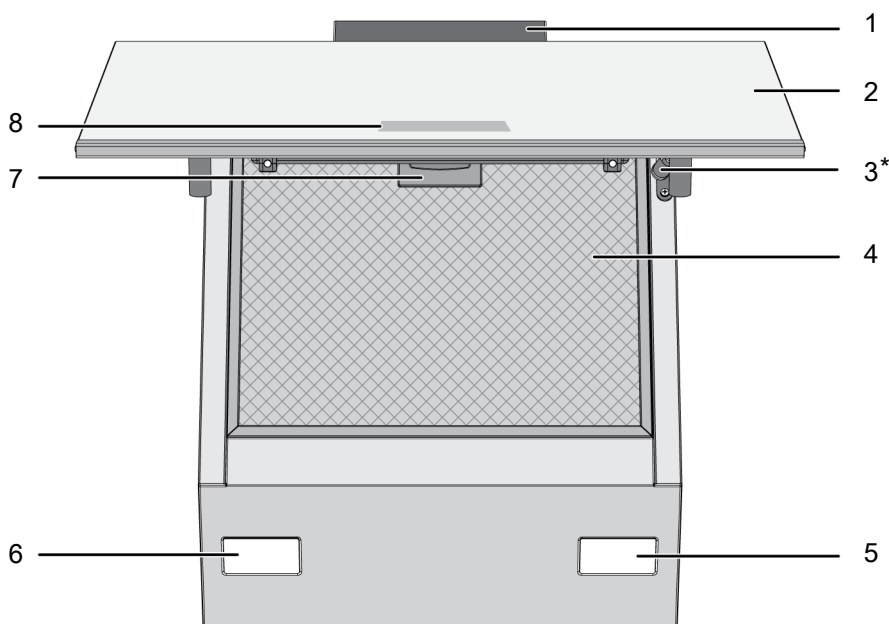
2.2 Informations sur l'emballage

Les matériaux d'emballage de cet appareil sont fabriqués à partir de matériaux recyclables, conformément à nos réglementa-

tions nationales en matière d'environnement. Ne jetez pas les déchets d'emballage avec les déchets ménagers ou autres, apportez-les aux points de collecte des matériaux d'emballage désignés par les autorités locales.

3 Votre appareil

3.1 Présentation de l'appareil



1 Corps de la hotte

3 Clapet

5 Lampe

7 Verrouillage du filtre en aluminium

2 Couvercle en verre de la hotte

4 Filtre en aluminium

6 Lampe

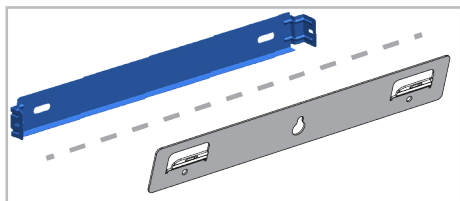
8 Panneau de commande

* En fonction du modèle. Il se peut qu'il ne soit pas disponible pour votre appareil.

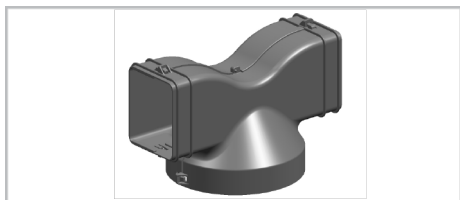
3.2 Accessoires de l'appareil

Selon le modèle de l'appareil, l'accessoire fourni varie. Tous les accessoires décrits dans le manuel d'utilisation peuvent ne pas être disponibles dans votre appareil.

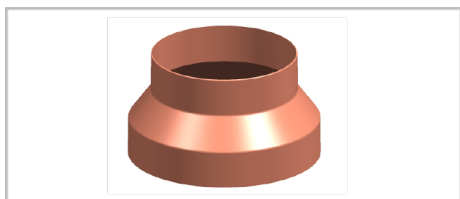
Pièce de fixation murale



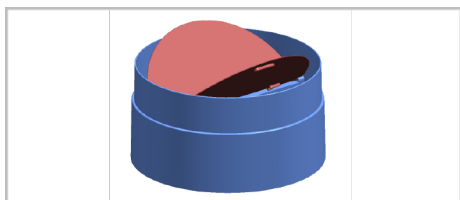
Routeur aérien



Adaptateur de raccordement au conduit de fumée



Protections pour empêcher l'inversion du flux d'air



3.3 Spécifications techniques

Dimension externe de l'appareil (hauteur/largeur/profondeur)(mm)	min. 910 - max. 1138 /595 /419
Tension/fréquence	220-240 V ~1N; 50 Hz
Consommation totale d'énergie	max. 300 W
Puissance d'aspiration	700-720 m3/h
Diamètre du tuyau de sortie d'air	120-150 mm

FR

Contrôle	
Modèle A	3 niveaux
Modèle B	3 niveaux + 1 booster
Modèle C	3 niveaux + 1 booster



Les spécifications techniques peuvent être modifiées sans préavis afin d'améliorer la qualité de l'appareil.



Les illustrations présentées dans ce manuel sont schématiques et peuvent ne pas correspondre exactement à votre appareil.



Les valeurs indiquées sur les étiquettes de l'appareil ou dans la documentation accompagnant l'appareil sont obtenues dans des conditions de laboratoire, en conformité avec les normes applicables. Ces valeurs peuvent varier en fonction des conditions d'utilisation et l'environnement de l'appareil.

4 Première utilisation

Avant de commencer à utiliser votre appareil, il est recommandé de suivre les étapes décrites dans les sections suivantes :


4.1 Premier nettoyage

1. Retirez tous les emballages.
2. Essuyez les surfaces du produit avec un chiffon ou une éponge humide et séchez-les avec un chiffon.

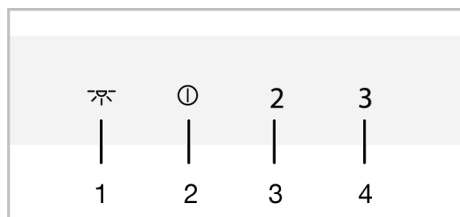
REMARQUE : Certains détergents ou agents de nettoyage peuvent endommager la surface. N'utilisez pas de détergents

5 Utilisation de la hotte

La hotte est équipée d'un moteur à plusieurs vitesses. Pour une bonne performance, nous recommandons d'utiliser des vitesses faibles dans des conditions normales et des vitesses élevées en cas de forte odeur et de condensation de la vapeur.

 Le programme est annulé si le courant est coupé alors que des programmes de votre hotte sont actifs.

MODÈLE A

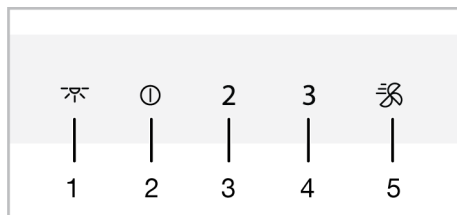


- 1 Touche de lampe
- 2 Touche marche/arrêt / Vitesse 1
- 3 Bouton de vitesse 2
- 4 Bouton de vitesse 3

abrasifs, de poudres de nettoyage, de crèmes de nettoyage ou d'objets pointus pendant le nettoyage.

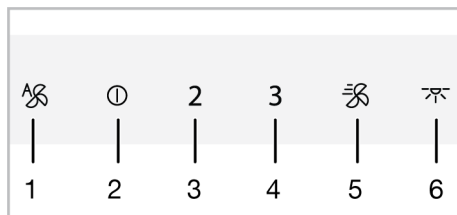
REMARQUE : Lors de la première utilisation, de la fumée et des odeurs peuvent se dégager pendant plusieurs heures. C'est normal et vous avez juste besoin d'une bonne ventilation pour l'éliminer. Évitez d'inhaler directement la fumée et les odeurs qui se forment.

MODÈLE B



- 1 Touche de lampe
- 2 Touche marche/arrêt / Vitesse 1
- 3 Bouton de vitesse 2
- 4 Bouton de vitesse 3
- 5 Clé de rappel

MODÈLE C



- 1 Touche du mode automatique
- 2 Touche marche/arrêt / Vitesse 1
- 3 Bouton de vitesse 2
- 4 Bouton de vitesse 3
- 5 Clé de rappel
- 6 Touche de lampe

Utilisation de la hotte

1. Touchez la touche de niveau de vitesse que vous avez sélectionnée pour faire fonctionner la hotte.
 - ⇒ La touche du niveau de vitesse réglé s'allume.
2. Vous pouvez toucher les autres touches de niveau de vitesse pour modifier le niveau de vitesse.



Lorsqu'il est en service, l'appareil fonctionne pendant un maximum de 6 heures si aucune touche n'est touchée.


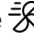
Désactivation de la hotte

1. Pour éteindre la hotte, touchez à nouveau la touche du niveau sur lequel la hotte fonctionne ou la touche ①.



Si vous touchez la touche ① avec une fonction active, à l'exception de la lampe, la fonction est annulée.

Activation du mode de ventilation intensive (Booster) (pour les modèles B et C)

1. Appuyez une fois sur la touche  pour démarrer la hotte en mode de ventilation intensive.
 - ⇒ Le mode de ventilation intensive démarre et fonctionne pendant un maximum de 10 minutes. Pendant ce temps, la touche  s'allume. Après 10 minutes, l'appareil continue à fonctionner en Vitesse 3 et la touche Vitesse 3 s'allume.



En mode ventilation intensive, lorsqu'une touche de vitesse est pressée, elle revient à ce niveau de vitesse et continue à fonctionner.

Utilisation de la lampe

1. Appuyez sur la touche pour faire fonctionner la lampe,
 - ⇒ La lampe de la hotte s'allume. (Pour les modèles B et C) Si vous touchez à nouveau la touche dans la première minute, la lampe continuera à s'allumer au niveau d'éclairage faible. Si vous la touchez à nouveau une minute après avoir allumé la lampe, elle s'éteint.



Les lampes d'éclairage fonctionnent pendant un maximum de 12 heures.

Activation de la Lampe

1. Une minute après avoir allumé la lampe de la hotte, vous pouvez l'éteindre en touchant à nouveau la touche .



(Pour les modèles B et C) Si vous touchez à nouveau la touche dans la première minute après l'allumage de la lampe, celle-ci passe au niveau d'éclairage faible.

Réglage de la couleur d'éclairage de la lampe (pour les modèles B et C)

Vous pouvez utiliser la couleur des lampes d'éclairage de votre hotte dans 3 nuances différentes.

1. Lorsque la lampe de la hotte est allumée, appuyez sur la touche pendant plus de 2 secondes.
 - ⇒ La lampe passe à l'autre couleur.
2. Si vous continuez à appuyer sur la touche , la couleur suivante apparaîtra toutes les 2 secondes. Selon la nuance de couleur souhaitée, arrêtez de toucher la touche lorsque la lampe est dans cette nuance de couleur. La nuance de couleur s'active automatiquement.




Vous ne pouvez changer la teinte de la lumière que lorsque la lampe a une forte intensité lumineuse.



En cas de panne de courant, votre hotte se souviendra de la nuance de couleur réglée et la lampe fonctionnera dans la dernière couleur réglée.


Mode automatique (pour le modèle C)

Votre hotte mesure la température de l'air dans la cuisine et de l'air provenant de votre plaque de cuisson à l'aide d'un capteur. En mode automatique, il détermine les niveaux requis pour que la température de l'air provenant de la table de cuisson corresponde à la température de l'air dans la cuisine et fonctionne aux niveaux déterminés automatiquement.

1. Pour activer le mode automatique, touchez la touche .
 - ⇒ Le mode automatique est activé et fonctionne jusqu'à ce que la température de l'air provenant de la table de cuisson soit égale à la température ambiante. Il s'éteint automatiquement lorsque la température s'équilibre. Vous devez réactiver le mode automatique pour le remettre en marche.



Lorsque le mode automatique est actif, le mode automatique sera annulé si vous allumez et éteignez l'appareil à n'importe quelle vitesse.

2. Pour désactiver rapidement le mode automatique, touchez une fois de plus la touche .



Si vous ouvrez le couvercle de l'appareil lorsque le mode automatique est activé, ses performances diminueront. N'ouvrez pas le couvercle lorsque le mode automatique est actif.



Si la différence de température ambiante se produit même lorsque la table de cuisson ne fonctionne pas alors que le mode automatique est actif, le capteur de température de l'appareil détecte la différence et l'appareil peut commencer à fonctionner à la vitesse 2 ou 3 selon la différence. Dans ce cas, le mode automatique sera désactivé lorsque la différence de température sera égalisée.



N'utilisez pas le mode automatique lorsque votre table de cuisson ne fonctionne pas.

Mode de nettoyage de l'air (pour les modèles B et C)

Vous pouvez utiliser le mode de nettoyage de l'air pour éliminer les odeurs dans votre maison pendant une longue période à un faible niveau.


1. appuyez sur la touche Vitesse 1 et maintenez-la enfoncée pendant environ 3 secondes.
 - ⇒ Le mode de nettoyage de l'air est activé. Le voyant de la touche Vitesse 1 clignote lorsque le mode de nettoyage de l'air est actif.
2. Le mode de nettoyage de l'air fonctionnera à la vitesse 1 pendant 10 minutes en 1 heure et s'arrêtera après 50 minutes. Si vous n'éteignez pas le mode de nettoyage de l'air, il restera en fonctionnement pendant 10 minutes, puis s'arrêtera pendant 50 minutes à chaque heure pendant 24 heures.





Lorsque le mode de nettoyage de l'air est actif, il est automatiquement annulé par la pression de n'importe quelle touche, à l'exception de la touche de la lampe. Votre hotte continue à fonctionner en fonction de la touche que vous touchez.

Avertissement de remplissage du filtre en aluminium

Le témoin de la touche Vitesse 2 clignote pendant trente secondes après chaque 100 heures de fonctionnement. Nettoyez les filtres en aluminium. Après le nettoyage, le témoin de la touche Vitesse 2 ne s'éteint pas automatiquement. L'appareil continue d'émettre ce signal d'avertissement de 30 secondes lorsqu'il s'arrête après chaque utilisation. Lorsque vous appuyez sur la touche Vitesse 2 pendant plus de 3 secondes, l'avertissement de remplissage du filtre en aluminium est réinitialisé et la lampe s'éteint.


 L'alerte n'est pas annulée si l'alimentation est coupée lorsque la hotte donne l'alerte de remplissage du filtre à aluminium. Lorsque le courant est disponible, il continue d'avertir en faisant clignoter le voyant de la touche Vitesse 2.


 Si vous mettez la hotte en marche à n'importe quelle vitesse avec l'avertissement des filtres en aluminium, cet avertissement n'apparaît pas tant que la hotte est en fonctionnement. Lorsque vous arrêtez la hotte, l'avertissement de remplissage des filtres recommence à clignoter pendant 30 secondes.


 Si vous éteignez l'avertissement sans nettoyer le filtre en aluminium, la durée de fonctionnement de 100 heures est réinitialisée et elle recommence. Au bout des 100 heures suivantes, votre hotte émet un avertissement à nouveau.

Avertissement de remplissage du filtre à charbon (pour les produits avec filtre à charbon)

Le témoin de la touche Vitesse 2 clignote pendant trente secondes après chaque 100 heures de fonctionnement. Dans ce cas, vous devez remplacer votre filtre à charbon. Consultez un service agréé à ce sujet. Après le remplacement, le témoin de la touche de vitesse 2 ne s'éteint pas automatiquement. L'appareil continue d'émettre ce signal d'avertissement de 30 secondes lorsqu'il s'arrête après chaque utilisation. Lorsque vous appuyez sur la touche Vitesse 2 pendant plus de 3 secondes, l'avertissement de remplissage du filtre à charbon est réinitialisé et la lampe s'éteint.

 L'avertissement n'est pas annulé si l'alimentation est coupée lorsque la hotte donne l'avertissement de remplissage du filtre à charbon. Lorsque le courant est disponible, il continue d'avertir en faisant clignoter le voyant de la touche Vitesse 2.

 Si vous faites fonctionner votre hotte à n'importe quel niveau de vitesse avec l'avertissement de remplissage du filtre à charbon, l'avertissement n'apparaîtra pas tant que la hotte fonctionnera. Lorsque vous arrêtez la hotte, l'avertissement de remplissage des filtres recommence à clignoter pendant 30 secondes.

 Si vous éteignez l'avertissement sans remplacer le filtre à charbon, la durée de fonctionnement de 100 heures est réinitialisée et elle recommence. Au terme des 100 heures suivantes, l'avertissement est à nouveau émis.

6 Entretien et nettoyage

6.1 Consignes de nettoyage générales

Avertissements généraux

- Attendez que l'appareil refroidisse avant de le nettoyer. Les surfaces chaudes peuvent causer des brûlures !
- N'appliquez pas les détergents directement sur les surfaces chaudes. Ils peuvent provoquer des taches permanentes.
- L'appareil doit être soigneusement nettoyé et séché après chaque utilisation. Ainsi, les résidus alimentaires sont faciles à nettoyer et ces résidus ne brûlent pas lorsque l'appareil est réutilisé ultérieurement. Ainsi, la durée de vie de l'appareil est prolongée et les problèmes fréquemment rencontrés sont réduits.
- N'utilisez pas de produits de nettoyage à vapeur pour le nettoyage.
- Certains détergents ou agents de nettoyage endommagent la surface. Les produits de nettoyage inadaptés sont : l'eau de Javel, les produits de nettoyage contenant de l'ammoniac, de l'acide ou du chlorure, les produits de nettoyage à vapeur, les détartrants, les détachants et les anti-rouilles, les produits de nettoyage abrasifs (crèmes nettoyantes, poudre à récurer, crème à récurer, épurateur abrasif et grattant, fil de fer, éponges, torchons de nettoyage contenant de la saleté et des résidus de détergent).
- Aucun produit de nettoyage spécial n'est nécessaire lors du nettoyage effectué après chaque utilisation. Nettoyez l'appareil à l'aide d'un détergent pour lave-vaisselle, d'eau chaude et d'un chiffon doux ou d'une éponge, puis séchez-le avec un chiffon sec. Nettoyez l'appareil à l'aide d'un détergent à vaisselle, d'eau chaude et d'un chiffon doux ou d'une éponge et séchez-le à l'aide d'un chiffon sec.
- Assurez-vous d'essuyer complètement tout le liquide restant après le nettoyage et nettoyez immédiatement toute éclaboussure d'aliments pendant la cuisson.

- Ne lavez aucun composant de votre appareil au lave-vaisselle, sauf indication contraire dans le manuel d'utilisation.

Inox - surfaces inoxydables

- N'utilisez pas d'agents de nettoyage contenant de l'acide ou du chlore pour nettoyer les surfaces et les poignées en acier inoxydable ou en inox.
- La surface en acier inoxydable ou en inox peut changer de couleur avec le temps. C'est normal. Après chaque opération, nettoyez avec un détergent adapté à la surface en acier inoxydable ou en inox.
- Nettoyez à l'aide d'un chiffon doux savonneux et d'un détergent liquide (non abrasif) adapté à la surface en inox, en prenant soin d'essuyer dans un sens.
- Éliminez immédiatement et sans attendre les taches de calcaire, d'huile, d'amidon, de lait et de protéines sur les surfaces en verre et en inox. À la longue, les taches peuvent causer la rouille.
- Les nettoyeurs pulvérisés/appliqués sur la surface doivent être nettoyés immédiatement. Les nettoyeurs abrasifs qui restent sur la surface la font blanchir.

Surfaces en verre

- Lorsque vous nettoyez des surfaces en verre, n'utilisez pas de grattoirs métalliques durs ni de produits de nettoyage abrasifs. Ils peuvent endommager la surface en verre.
- Nettoyez l'appareil à l'aide d'un détergent à vaisselle, d'eau chaude et d'un chiffon en microfibrilles spécifique pour les surfaces en verre et séchez-le à l'aide d'un chiffon sec en microfibrilles.
- Si des résidus de détergent restent après le nettoyage, nettoyez-les avec de l'eau froide et séchez à l'aide d'un chiffon en microfibrilles sec et propre. Les résidus de détergent peuvent endommager la surface du verre la prochaine fois.

- Les résidus séchés sur la surface du verre ne doivent en aucun cas être nettoyés avec des couteaux dentelés, du fil laine métallique ou des outils de grattage similaires.
- Vous pouvez éliminer les taches de calcium (taches jaunes) sur la surface du verre à l'aide d'un agent de détartrage disponible sur le marché, tel que le vinaigre ou le jus de citron.
- Si la surface est très sale, appliquez le produit de nettoyage sur la tache à l'aide d'une éponge et patientez longtemps qu'il agisse correctement. Nettoyez ensuite la surface en verre à l'aide d'un chiffon humide.
- Les décolorations et les taches sur la surface en verre sont normales et ne présentent pas de défauts.

Pièces en plastique et surfaces peintes

- Nettoyez les pièces en plastiques et les surfaces peintes à l'aide d'un détergent à vaisselle, d'eau chaude et d'un chiffon doux ou d'une éponge et séchez-les à l'aide d'un chiffon sec.
- N'utilisez pas de grattoirs métalliques durs ni de produits de nettoyage abrasifs. Ils peuvent endommager les surfaces.
- Assurez-vous que les joints des composants de l'appareil ne sont pas laissés humides et avec du détergent. Autrement, ces joints risquent de se corroder.

6.2 Nettoyage du panneau de commande

- Lors du nettoyage des panneaux et du bouton de commande, essuyez le panneau et les boutons à l'aide d'un chiffon doux humide et séchez-les à l'aide d'un chiffon sec. Ne retirez pas les boutons et les joints en dessous pour nettoyer le panneau. Le panneau de commande et les boutons peuvent être endommagés.
- Lors du nettoyage des panneaux en inox et du bouton de commande, n'utilisez pas d'agents de nettoyage pour inox autour du bouton. Les indicateurs situés autour du bouton peuvent être effacés.

- Nettoyez les panneaux de commande tactiles à l'aide d'un chiffon doux humide et séchez-les à l'aide d'un chiffon sec. Si votre produit est doté d'une fonction de verrouillage des touches, réglez le verrouillage des touches avant de procéder au nettoyage du panneau de commande. Dans le cas contraire, une détection incorrecte peut se produire sur les touches.

6.3 Filtre en aluminium

Ce filtre capte les particules d'huile présentes dans l'air. **Il est recommandé de nettoyer le filtre une fois par mois dans des conditions normales d'utilisation.**

Pour y parvenir :

1. Retirez les filtres en aluminium.
2. Lavez les filtres dans l'eau avec un détergent liquide et réinstallez-les après séchage.

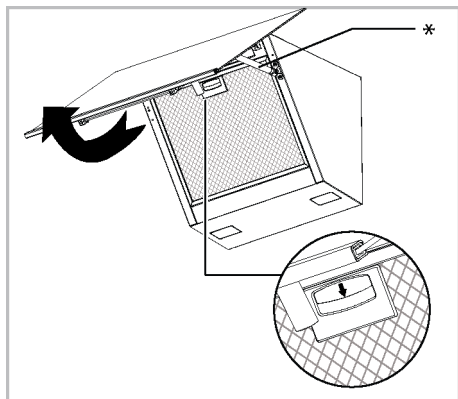
Les filtres en aluminium peuvent changer de couleur au cours du lavage ; ceci est normal et ne nécessite pas de remplacer vos filtres.



Vous pouvez également laver le filtre en aluminium dans le lave-vaisselle. (max. 70 °C)

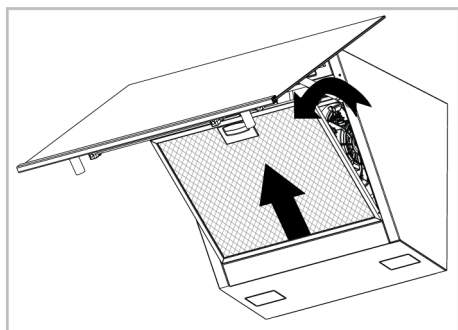
Retrait des filtres en aluminium

1. Ouvrez le couvercle de la hotte vers le haut et tirez le verrou du filtre en aluminium vers le bas comme indiqué sur le schéma.



* L'amortisseur est facultatif. Il se peut qu'il ne soit pas disponible dans votre produit.

2. En premier, tirez doucement le filtre vers vous puis vers le haut pour le retirer de son emplacement.



3. Réinstallez le filtre en aluminium dans son emplacement après le rinçage en suivant les étapes ci-dessus en sens inverse.

6.4 Filtre à charbon (utilisation sans conduit de fumée)

Avertissements généraux

- Si vous avez installé votre appareil sans conduit de fumée, vous devez remplacer vos filtres à charbon tous les 4 mois en utilisation normale. Vous pouvez vous procurer le filtre à charbon auprès des services agréés.
- Le filtre à charbon ne doit jamais être lavé.

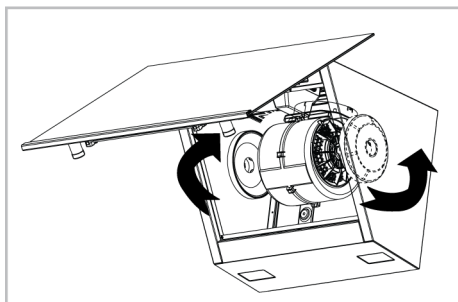
- Si vous ne respectez pas les règles de nettoyage et de remplacement des filtres de votre hotte, vous risquez de provoquer un incendie.



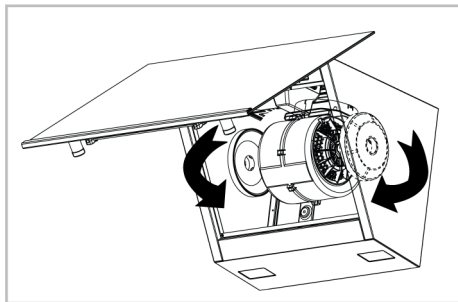
Lorsque vous l'utilisez avec des filtres à charbon, le niveau du bruit augmente et le débit diminue.

Démontage des filtres à charbon

1. Ouvrez le couvercle en verre de la hotte et retirez le filtre en aluminium.
2. Dévissez les filtres à charbon situés à droite et à gauche du support du moteur.



3. Placez les encoches de vos nouveaux filtres à charbon dans les encoches du support du moteur et tournez-les dans le sens des aiguilles d'une montre pour les mettre en place.



4. Fermez le couvercle de la vitre de la hotte après avoir installé le filtre en aluminium.

6.5 Lampe de la hotte

En cas de dysfonctionnement de la lampe dans la hotte, contactez votre revendeur local ou le service clientèle, et veillez à ce que la lampe soit remplacée.

FR

7 Dépannage

Si le problème persiste même après observation des instructions contenues dans cette partie, contactez votre fournisseur ou un service de maintenance agréé. N'essayez jamais de réparer votre appareil par vous-même.

L'appareil ne fonctionne pas.

- Le fusible peut être défilant ou grillé. >>> Vérifiez les fusibles dans la boîte à fusibles. Remplacez-les si nécessaire ou remettez-les en marche.
- Le produit n'est peut-être pas branché. >>> Vérifiez si le produit est branché à la prise ou non.
- Le bouton de vitesse peut ne pas être réglé. >>> Appuyez/touchez le bouton de vitesse souhaité.
- Il se peut qu'il n'y ait pas d'électricité. >>> Vérifiez que le réseau électrique est opérationnel et vérifiez les fusibles dans la boîte à fusibles. Changez les fusibles si nécessaire ou réactivez-les.

Le voyant de la hotte n'est pas allumé.

- La lampe de la hotte est peut-être défectueuse. >>> Contactez le revendeur local où vous avez acheté votre appareil ou le service clientèle, et veillez à ce que la lampe soit remplacée.
- Il se peut qu'il n'y ait pas d'électricité. >>> Vérifiez que le réseau électrique est opérationnel et vérifiez les fusibles dans la boîte à fusibles. Changez les fusibles si nécessaire ou réactivez-les.

Welkom!

Beste klant,

Hartelijk dan voor uw keuze van het Beko product. Wij willen dat uw product, vervaardigd met hoogwaardige technologie, u een optimale efficiëntie biedt. Lees hiervoor deze handleiding en alle andere documentatie zorgvuldig voor u het product in gebruik neemt.

Houd de informatie en waarschuwingen vermeld in de handleiding in gedachten. Zo beschermt u zichzelf en uw product tegen eventuele gevaren.

Bewaar de handleiding. Als u het product doorgeeft aan iemand anders mag u niet vergeten ook de handleiding mee te geven. De garantievoorwaarden, het gebruik en de probleemoplossingsmethoden voor uw product worden vermeld in deze handleiding.

De symbolen en hun beschrijvingen in de handleiding:



Gevaar dat fataal kan aflopen of resulteren in letsels.



Belangrijke informatie of handige tips.



Lees de handleiding.



Waarschuwing voor heet oppervlak.

**OPMER-
KING**

Gevaar dat kan resulteren in materiële schade aan het product of de omgeving.

Arçelik A.Ş.

Karaağaç caddesi No:2-6
34445 Sütlüce/Istanbul/TURKEY

Made in TURKEY

Inhoudsopgave

1	Veiligheidsinstructies	66
1.1	Beoogd gebruik	66
1.2	Veiligheid van kinderen, kwetsbare personen en huisdieren	66
1.3	Elektrische veiligheid.....	67
1.4	Veiligheid tijdens het transport.....	69
1.5	Veiligheid tijdens de installatie.....	69
1.6	Veiligheid tijdens gebruik.....	70
1.7	Veiligheid tijdens het onderhoud en de reiniging	72
2	Milieurichtlijnen.....	72
2.1	Afvalrichtlijn	72
2.1.1	Conformiteit met de AEEA richtlijn betreffende afgedankte elektrische en elektronische apparatuur:	72
2.2	Informatie over de verpakking	73
3	Uw product.....	73
3.1	Inleiding van het product	73
3.2	Productaccessoires	73
3.3	Technische specificaties	75
4	Eerste gebruik.....	76
4.1	Eerste reiniging.....	76
5	Het gebruik van de afzuigkap.....	76
6	Onderhoud en reiniging	79
6.1	Algemene reinigingsinformatie	79
6.2	Het bedieningspaneel reinigen.....	81
6.3	Aluminium filter	81
6.4	Koolstoffilter (gebruik zonder afvoerkanaal)	82
6.5	Lamp van de afzuigkap.....	82
7	Probleemoplossing	82



1 Veiligheidsinstructies

- Dit hoofdstuk omvat de nodige veiligheidsinstructies om het risico van persoonlijke letsels of materiële schade te voorkomen.
- Als het product wordt overhandigd aan iemand anders voor persoonlijk gebruik of tweedehands doeleinden moeten de handleiding, de productlabels en andere relevante documenten ook worden overhandigd.
- Ons bedrijf kan niet aansprakelijk worden geteld voor schade die kan optreden als deze instructies niet worden nageleefd.
- Het niet naleven van deze instructies resulteert in de nietigverklaring van de garantie.
- De installatie en alle reparaties moeten worden uitgevoerd door de fabrikant, de geautoriseerde dienst of een persoon die wordt aangeduid door de importeur.
- Gebruik uitsluitend originele reserveonderdelen en accessoires.
- U mag geen enkel onderdeel van het product repareren of vervangen tenzij dit duidelijk wordt aangegeven in de handleiding.

- Voer geen technische wijzigingen uit aan het product.



1.1 Beoogd gebruik

- Dit product is uitsluitend ontworpen voor gebruik bij u thuis. Het is niet geschikt voor commercieel gebruik.
- Gebruik het product niet in de tuin, op een balkon of andere buitenomgevingen. Dit product is bedoeld voor huishoudelijk gebruik of in personeelskeukens of winkels, op kantoor en andere werkomgevingen.



1.2 Veiligheid van kinderen, kwetsbare personen en huisdieren

- Dit product mag worden gebruikt door kinderen van 8 jaar en ouder, net als personen met een onderontwikkelde fysieke, gevoelsmatige of mentale vaardigheden, of personen met een gebruik aan ervaring en kennis, op voorwaarde dat zij onder toezicht staan van of zijn opgeleid over het veilige gebruik en de gevaren van het product.
- Kinderen mogen niet spelen met het product. De reiniging en het onderhoud mogen niet

worden uitgevoerd door kinderen tenzij ze onder toezicht staan.

- Dit product mag niet worden gebruikt door personen met een beperkte fysiek, gevoelsmatig of mentaal vermogen (inclusief kinderen), tenzij zijn onder toezicht staan of de nodige instructies hebben ontvangen.
- Kinderen moeten onder toezicht staan om zeker te zijn dat ze niet spelen met dit product.
- Elektrische producten zijn gevaarlijk voor kinderen en huisdieren. Kinderen en huisdieren mogen niet spelen met het product.
- Houd het verpakkingsmateriaal buiten het bereik van kinderen. Er bestaat een risico van letsels en verstikking.
- Voordat versleten en nutteloze producten worden weggegooid:
 1. Trek de stekker uit het stopcontact (als het product is ingestoken).
 2. Knip de voedingskabel eraf en koppel deze los met de stekker van het product.
 3. Sta kinderen niet toe om met het product te spelen wanneer het in inactieve modus is.



1.3 Elektrische veiligheid

- Sluit het product aan op een geaard stopcontact beveiligd met een zekering die overeenstemt met de nominale stroom vermeld op het typeplaatje. De aarding moet worden uitgevoerd door een gekwalificeerde elektricien. Gebruik het product niet zonder aarding in overeenstemming met de lokale / nationale regelgeving.
- De stekker of de elektrische aansluiting van het apparaat moet zich op een gemakkelijk toegankelijke plaats bevinden. Als dit niet mogelijk is, moet er een mechanisme zijn (zekering, schakelaar, sleutelschakelaar, etc.) op de elektrische installatie waar het product op is aangesloten, conform de elektrische regelgeving en met afscheiding van alle polen van het netwerk.
- Koppel het product los of schakel de zekering uit voor reparatie, onderhoud en reiniging.
- Voer de stekker van het product in een stopcontact dat voldoet aan de spanning en frequentiewaarden vermeld op het typeplaatje.

NL

- (Als uw product geen netsnoer heeft, mag u enkel de verbindingskabel gebruiken die wordt beschreven in het hoofdstuk "Technische specificaties".
 - U mag de stekker van uw afzuigkap niet in het stopcontact steken tot deze is gemonteerd.
 - Het netsnoer mag niet worden geklemd onder of achter het product. Plaats geen zware voorwerpen op het netsnoer. Het netsnoer mag niet worden gebogen, geklemd of in contact komen met een warmtebron.
 - U mag het netsnoer niet monteren in de buurt van warmtebronnen. Het snoer kan smelten en brand veroorzaken.
 - Zorg ervoor dat het netsnoer niet geklemd raakt bij de plaatsing van het product of na de montage of reiniging.
 - U mag de stekker van uw afzuigkap niet in het stopcontact steken tot deze is gemonteerd.
 - Gebruik uitsluitend de originele kabels. Gebruik geen beschadigde kabels.
 - Gebruik geen verlengsnoer of multi-stekker om uw product te bedienen.
 - Neem contact op met het geautoriseerde servicecentrum of de importeur om de goedgekeurde adapter te gebruiken in gevallen waarin het gebruik van een converteradapter (voor stekkertype) nodig is.
 - Neem contact op met de importeur of het geautoriseerde servicecentrum als de lengte van het netsnoer onvoldoende is.
 - Draagbare stroombronnen of multi-stekkers kunnen oververhit raken en vlam vatten. Gebruik geen multi-stekkers en draagbare stroombronnen met het product.
 - Als het netsnoer beschadigd is, moet het worden vervangen door een fabrikant, een geautoriseerde dienst of een persoon aangewezen door de importeur om eventuele schade te voorkomen.
 - Als uw product een stekker heeft, mag u geen elektrische aansluitingen uitvoeren door de stekker los te koppelen tijdens de installatie. De aansluitingen die worden gemaakt door ze af te snijden, maken de productgarantie nietig en dit vormt een gevaar voor uw veiligheid.
- Als uw product is voorzien van een netsnoer en stekker:
- Plaats de productstekker nooit in een kapotte, losse of niet verbonden plug Zorg ervoor

dat de stekker volledig in het stopcontact is gestoken. Anders kunnen de verbindingen oververhit raken en brand veroorzaken.

- Sluit het apparaat niet op stopcontacten die vettig, vies of mogelijk blootgesteld zijn aan water (zoals die in de buurt van een werkblad waar water kan ontsnappen). Zo niet, bestaat het risico van kortsluiting en elektrocutie.
- Raak de stekker nooit aan met natte handen!
- Trek de stekker uit het stopcontact aam de stekker zelf in plaats van aan het snoer.

1.4 Veiligheid tijdens het transport

- Ontkoppel het product van het elektrisch net voor u het product verplaatst.
- Het product is zwaar. U moet het dus met ten minste twee personen dragen.
- Plaats geen items op het apparaat. Draag het apparaat verticaal.
- Als u het product moet verplaatsen, moet u het wikkelen in bubbelplastic verpakkingsmateriaal of dik karton en tape. De bewegende delen van het product stevig bevestigen om schade te voorkomen.

- Voor het product wordt geïnstalleerd, moet u het product na transport inspecteren op schade. Neem bij beschadiging contact op met de importeur of het erkende servicecentrum.

1.5 Veiligheid tijdens de installatie

- Om uw product gebruiksklaar te maken, moet u eerste installatielocatie voorzien en de elektrische installatie uitvoeren. De installatie moet worden uitgevoerd door de fabrikant, de geautoriseerde dienst of een persoon die wordt aangegeuid door de importeur.
- Om uw product gebruiksklaar te maken, moet u eerste installatielocatie voorzien en de elektrische installatie uitvoeren. Bel vervolgens de geautoriseerde service om de installatie te laten uitvoeren. Na installatie door de geautoriseerde service begint de garantieperiode.
- Zorg dat het netsnoer waarop het product wordt aangesloten geen stroom heeft voordat u met de installatie begint door de zekering uit te schakelen.

- Draag altijd beschermende handschoenen tijdens het transport en de installatie. Zo niet, bestaat het risico op letsel door scherpe randen!
- Voor het product wordt geïnstalleerd, moet u het product inspecteren op schade. U mag het product niet laten installeren als het beschadigd is..
- Gebruik geen warmte-isolerende materialen om het interieur van de meubels die worden geïnstalleerd te bedekken.
- Direct zonlicht en warmtebronnen, zoals elektrische of gaskachels, mogen niet aanwezig zijn in het gebied waar het product is geïnstalleerd.
- Als er een stopcontact achter de plaats is waar het product zal worden geïnstalleerd, moet ervoor worden gezorgd dat het product niet in contact komt met de aansluiting en ook niet met de stekker in het stopcontact.
- Laat voor gebruik met schoorsteenverbindingen gekwalificeerde personen de geschiktheid beoordelen van de schoorsteen waarmee het product zal worden verbonden.
- De hoogte tussen het bodemoppervlak van uw afzuigkap en het bovenste oppervlak van de oven mag niet minder zijn dan 650 mm voor gasovens en 500 mm voor elektrische ovens. Anders wordt uw product beïnvloed door de hitte of vlam van het fornuis en vormt het een veiligheidsrisico.
- (Voor Model C) In elektrische ovens bereikt men een optimale prestatie door een hoogte van 550 mm te laten.
- Bevestig de afzuigkap nooit aan rookkanalen die worden gebruikt als vlamverwarmer of vlamverwarmingstoestellen. U moet de lokale regelgeving naleven met betrekking tot de zuivering van de uitlaat.
- Gebruik buizen met een diameter van 120 mm wanneer u het afvoerkanaal aansluit op uw product. De aansluiting van de leidingen moet zo kort mogelijk zijn met zo weinig mogelijk bochten.



1.6 Veiligheid tijdens gebruik

- **Vergiftigingsgevaar!** Wanneer het apparaat is ingeschakeld, wordt lucht afgevoerd uit de volledige woning. Als er geen correcte ventilatie is voorzien, kan een luchtstroom ontstaan en worden het afval en de giftige gassen die worden vrijgegeven als resultaat van de verbranding in de woning opnieuw

geabsorbeerd. U mag het product niet bedienen in combinatie met andere producten die lucht doen circuleren en giftige gassen kunnen vrijgeven (hout, gas, olie en koolverwarming, ketels, waterketels, etc.).

- Zorg ervoor dat het apparaat is uitgeschakeld na elk gebruik.
- Gebruik het product niet als het kapot gaat of beschadigd raakt tijdens het gebruik. Ontkoppel het product van het elektrisch net. Neem contact op met de importeur of het erkende servicecentrum.
- Raak de lampen niet aan als de afzuigkap lang heeft gewerkt. Warme lampen kunnen uw hand verbranden.
- U mag het apparaat niet gebruiken zonder een oliefilter. Verwijder de filters niet wanneer het apparaat is ingeschakeld. Anders kunnen het product en de elektrische aansluitingen nadelig worden beïnvloed door de olie.
- Maak geen hoge vlammen onder het product. Zo niet kan de olie in het oliefilter ontvlammen en brand veroorzaken.
- Schakel de oven uit voor u kookpotten, pannen, , etc. verwijdert uit de ovens. Anders kan uw product worden beschadigd door vlammen en toenemende hitte.
- Zet nooit brandbare items of items die kunnen vallen op de afzuigkap. Anders kunnen ze op het fornuis vallen, waardoor ze kunnen verbranden of in het voedsel kunnen vallen, wat kan leiden tot letsels bij de gebruiker.
- Bewaar geen brandbaar materiaal onder uw afzuigkap.
- (Voor Modellen A en B) Schakel uw afzuigkap een bijkomende 15 minuten in na het kook- of frituurproces om de keukenlucht grondig te reinigen van de geurtjes en dampen die zijn gegenereerd tijdens de bereiding.
- (Behalve voor apparaten die uitlaatlucht terug de kamer in blazen) De kamer moet goed worden geventileerd als de afzuigkap wordt gebruikt in dezelfde ruimte met een gasfornuis of fornuis met vloeibare brandstof.
- De schoorsteen van kachels die op gas of vloeibare brandstof werken, moet volledig geïsoleerd zijn in de omgeving waar de afzuigkap wordt gebruikt, of het apparaat moet hermetisch afgesloten zijn.

- Als er een ander apparaat aanwezig is dat werkt met een andere energie dan elektriciteit in dezelfde omgeving met de afzuigkap moet de negatieve druk in de ruimte maximaal 0,04 mbar bedragen zodat de uitlaat van het andere apparaat niet terug wordt gezogen in de kamer door de ventilatie.
- U mag geen gemakkelijk brandbaar en ontvlambaar materiaal op de handgrepen van de afzuigkap hangen (indien aanwezig).
- Er mag geen open vuur zijn onder de afzuigkap. (bijvoorbeeld: flamberen)
- **Opgelet:** De toegankelijke onderdelen kunnen opwarmen indien gebruikt met een fornuis.

1.7 Veiligheid tijdens het onderhoud en de reiniging



- Het opgehoopte vet op de kap en het vetfilter moet op de gespecificeerde intervallen worden gereinigd. Zo niet bestaat er een risico op brand!
- Het is raadzaam het filter bij normaal gebruik één maal per maand te reinigen. Zo niet, dan kan de opeenhoping van olie in het filter vlam vatten en een gevaar vormen.
- Was het product nooit door er water op te spuiten of te gieten! Er bestaat een risico van elektrische schokken!
- Gebruik geen stoomreinigers om het product te reinigen want dit kan elektrische schokken veroorzaken.

2 Milieurichtlijnen

2.1 Afvalrichtlijn

2.1.1 Conformiteit met de AEEA richtlijn betreffende afgedankte elektrische en elektronische apparatuur:

Dit product is conform met de EU WEEE-richtlijn (2012/19/EU). Dit product draagt een classificatiesymbool voor afval elektrische en elektronische apparatuur (AEEA).



Dit product werd vervaardigd met kwalitatief hoogstaande onderdelen en materialen die opnieuw kunnen worden gebruikt en die geschikt zijn voor

recycling. Om die reden mag u het afvalproduct niet weggooien met normaal huishoudelijk of ander afval aan het einde van de levensduur. Neem het naar een inzamelcentrum voor de recyclage van elektrische en elektronische apparatuur. U kunt ook uw lokale administratie informatie vragen over deze inzamelpunten. De correcte verwijdering van de apparatuur helpt negatieve gevolgen voor het milieu en de volksgezondheid te voorkomen.

Naleving van de RoHS-richtlijn:

Het product dat u hebt gekocht is conform met de Europese RoHS-richtlijn (2011/65/EU). Het bevat geen schadelijk en verboden materiaal zoals gespecificeerd in de richtlijn.

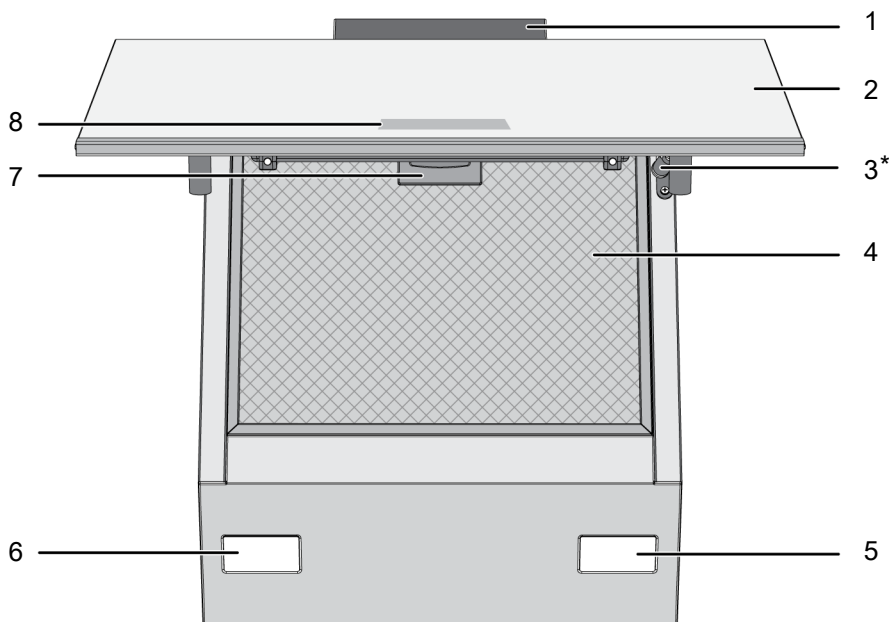
2.2 Informatie over de verpakking

Het verpakkingsmateriaal van het product is gefabriceerd van recyclebaar materiaal in overeenstemming met onze Nationale Milieuwetgeving. Gooi het verpakkingsmateriaal niet weg bij het normale huisvuil of ander afval. Lever het in bij een door de overheid aangewezen inzamelpunt voor verpakkingsmateriaal.

NL

3 Uw product

3.1 Inleiding van het product



1 Afzuigkap romp

3 Demper

5 Lamp

7 Aluminium filter vergrendeling

2 Afzuigkap glazen deksel

4 Aluminium filter

6 Lamp

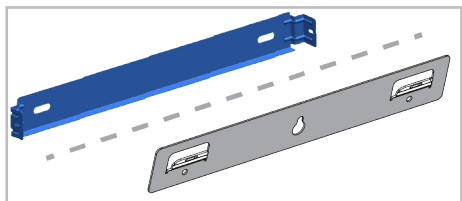
8 Bedieningspaneel

* naargelang het model. Is mogelijk niet beschikbaar op uw model.

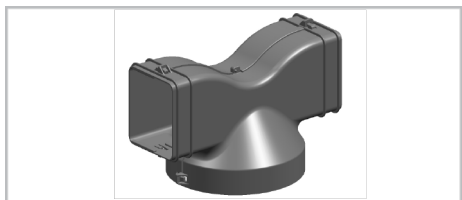
3.2 Productaccessoires

Het geleverde accessoire varieert naargelang het productmodel. Het is mogelijk dat niet alle accessoires beschreven in de handleiding beschikbaar zijn in uw product.

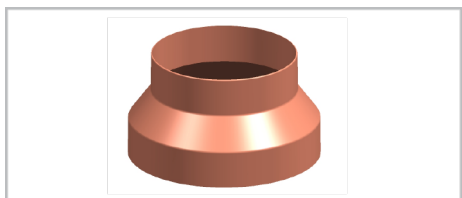
Muurbevestiging onderdeel



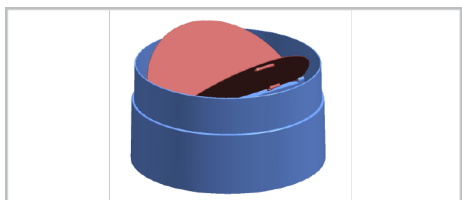
Luchtrouter



Afvoerkanaal adapter



Deksels om de omgekeerde luchtstroom te beletten



3.3 Technische specificaties

Externe afmetingen van het product (hoogte/breedte/diepte)(mm)	min. 910 - max. 1138 /595 /419
Spanning/Frequentie	220-240 V ~1N; 50 Hz
Totaal stroomverbruik	max. 300 W
Zuigvermogen	700-720 m3/h
Diameter van de luchtuitlaatbuis	120-150 mm

NL

Controle	
Model A	3 niveaus
Model B	3 niveaus + 1 booster
Model C	3 niveaus + 1 booster



De technische specificaties kunnen worden gewijzigd zonder voorafgaande kennisgeving om de kwaliteit van het product te verbeteren.



De afbeeldingen in deze gebruikshandleiding zijn schematisch en stemmen mogelijk niet exact overeen met uw product.



De waarden vermeld op de productlabels of in begeleidende de documentatie zijn verkregen in laboratoriumomstandigheden conform de relevante normen. Afhankelijk van de operationele en omgevingsomstandigheden van het product kunnen deze waarden variëren.

4 Eerste gebruik

Voor u uw product in gebruik neemt, is het aanbevolen de volgende stappen uit te voeren in de onderstaande secties respectievelijk.

4.1 Eerste reiniging

1. Verwijder alle verpakkingsmateriaal.
2. Neem de oppervlakken van het product af met een natte doek of spons en droog ze met een doek.

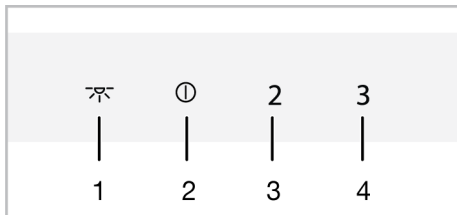
5 Het gebruik van de afzuigkap

De afzuigkap heeft een motor met verschillende snelheden. Voor een goede prestatie, raden wij aan een lage snelheid te gebruiken in normale omstandigheden en hoge snelheden in het geval van sterke geurtjes en condensatie.



Het programma wordt geannuleerd als de stroom wordt onderbroken wanneer een programma van uw afzuigkap actief is.

MODEL A



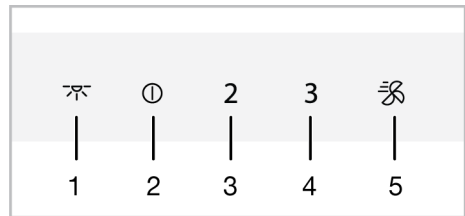
- 1 Lamptoets
- 2 Aan/Uit-toets/Snelheid 1 toets
- 3 Snelheid 2 toets
- 4 Snelheid 3 toets

OPMERKING: Bepaalde wasmiddelen of reinigingsmiddelen kunnen het oppervlak beschadigen. Gebruik geen schurende wasmiddelen, waspoeders, reinigende crèmes of scherpe voorwerpen tijdens de reiniging.

OPMERKING: Tijdens het eerste gebruik kunt u rook en geurtjes vaststellen gedurende meerdere uren. Dit is normaal en u heeft enkel een goede ventilatie nodig om deze te verwijderen. Vermijd een directe inhalering van de rook en geurtjes.

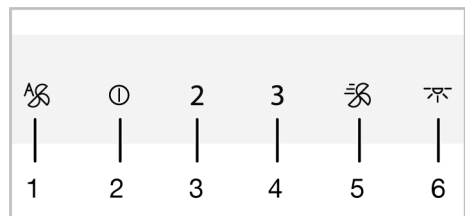
NL

MODEL B



- 1 Lamptoets
- 2 Aan/Uit-toets/Snelheid 1 toets
- 3 Snelheid 2 toets
- 4 Snelheid 3 toets
- 5 Booster-toets

MODEL C



- 1 Automatische modustoets
- 2 Aan/Uit-toets/Snelheid 1 toets
- 3 Snelheid 2 toets
- 4 Snelheid 3 toets
- 5 Booster-toets
- 6 Lamptoets

De bediening van de afzuigkap

1. Raak het snelheidsniveau aan dat u hebt geselecteerd om de afzuigkap te bedienen.
 - ⇒ De toets van het ingestelde snelheidsniveau licht op.
2. U kunt de andere snelheidsniveautoetsen aanraken om de snelheid te wijzigen.



Tijdens de werking draait het product gedurende 6 uur als er geen toets wordt aangeraakt.


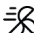
De afzuigkap uitschakelen

1. Om de afzuigkap uit te schakelen, raakt u de toets van het actieve snelheidsniveau van de afzuigkap opnieuw of de ① toets opnieuw aan.



Als u de ① toets aanraakt met een andere actieve functie dan de lamp wordt de functie geannuleerd.

De intensieve ventilatiemodus inschakelen (Booster) (voor modellen B en C)

1. Druk één maal op de  toets om de afzuigkap te starten in de intensieve ventilatiemodus.
 - ⇒ De intensieve ventilatiemodus start op en draait gedurende maximaal 10 minuten. Tijdens deze periode licht de  toets op. Na 10 minuten blijft het product werken in Snelheid 3 en licht Snelheid 3 op.



In de intensieve ventilatiemodus, wanneer een snelheidstoets wordt aangeraakt, keert deze terug naar dat snelheidsniveau en blijft werken.

De lamp bedienen

1. Raak de toets aan om de lamp te bedienen.
 - ⇒ De afzuigkaplamp licht op. (Voor modellen B en C) Als u de toets opnieuw aanraakt binnen de eerste minuut blijft de lamp branden aan het lage verlichtingsniveau. Als u hem opnieuw aanraakt na 1 minuut nadat de lamp is ingeschakeld, schakelt deze uit.



De verlichting werkt gedurende maximaal 12 uur.

De lamp uitschakelen

1. Een minuut nadat de lamp van de afzuigkap is ingeschakeld, kunt u ze uitschakelen door de toets opnieuw aan te raken.



(Voor modellen B en C) Als u de toets opnieuw aanraakt binnen de eerste minuut nadat de lamp is ingeschakeld, schakelt de lamp over naar het lage verlichtingsniveau.

De verlichtingskleur van de lamp instellen (voor modellen B en C)

U kunt de kleur van de verlichtingslampen van uw afzuigkap gebruiken in 3 verschillende tinten.

1. Met de lampen van de afzuigkap ingeschakeld, raak de toets aan gedurende meer dan 2 seconden.
 - ⇒ De lamp schakelt over naar de andere kleurtint.
2. Als u de toets toets blijft aanraken, wijzigt deze in de volgende kleurtint na elke 2 seconden. Stop met de knop aan te raken wanneer de lamp de gewenste kleurtint heeft bereikt. De kleurtint wordt automatisch ingeschakeld.



U kunt enkel de kleurtint van de lamp wijzigen wanneer de lamp de hoge lichtintensiteit heeft.



In het geval van een stroomuitval zal uw afzuigkap de ingestelde kleurentint herinneren en zal de lamp werken in de kleur die het laatst werd ingesteld.


Automatische modus (voor model C)

Uw afzuigkap meet de temperatuur van de lucht in de keuken en de lucht die uit uw kookplaat komt via een sensor. In de automatische modus bepaalt ze de vereiste temperaturniveaus van de lucht van de kookplaat om deze af te stemmen op de lucht in de keuken en werkt ze aan een niveau dat automatisch wordt bepaald.

1. Raak de  toets aan om de automatisch modus in te schakelen.
 - ⇒ De automatische modus wordt ingeschakeld en werkt tot de temperatuur van de lucht van de kookplaat gelijk is aan de omgevingstemperatuur. Hij schakelt automatisch uit wanneer de temperatuur wordt gelijkgesteld. U moet de automatische modus opnieuw inschakelen om deze opnieuw in te schakelen.



Wanneer de automatisch modus actief is, wordt de automatische modus geannuleerd wanneer u het product in- en uitschakelt aan iedere snelheid.

2. Om te automatische modus uit te schakelen, moet u de  toets nog een keer aanraken.



Als u het deksel van het product opent wanneer de automatische modus is ingeschakeld, zal de prestatie verminderen. Open het deksel niet wanneer de automatische modus actief is.



Als er een verschil optreedt in de omgevingstemperatuur, zelfs als de kookplaat niet werken terwijl de automatische modus actief is. De temperatuursensor in het product zal het verschil detecteren en het product kan beginnen werken aan Snelheid 2 of 3, afhankelijk van dit verschil. In dit geval wordt de automatische modus uitgeschakeld wanneer het temperatuurverschil wordt gelijkgesteld.



Gebruik de automatische modus niet als de kookplaat niet is ingeschakeld.

Luchtreinigingsmodus (voor modellen B en C)

U kunt de luchtreinigingsmodus gebruiken om de geurtjes bij u thuis te verwijderen tijdens een lange periode aan een laag niveau.

1. Raak de Snelheid 1 knop aan gedurende 3 seconden.
 - ⇒ De luchtreinigingsmodus is actief. Het licht van de Snelheid 1 knop knippert wanneer de luchtreinigingsmodus actief is.
2. De luchtreinigingsmodus werkt aan Snelheid 1 gedurende 10 minuten in 1 uur en stopt gedurende 50 minuten. Als u de luchtreinigingsmodus niet uitschakelt, blijft deze nog 10 minuten werken en daarna stopt hij gedurende 50 minuten tijdens elk uur gedurende 24 uur.



Wanneer de luchtreinigingsmodus actief is, wordt deze automatisch geannuleerd wanneer een andere toets dan de lamptoets wordt aangeraakt. Uw afzuigkap blijft werken aan de functie van de toets die u aanraakt.

Aluminium filter vol waarschuwing

De lamp van de Snelheid 2 toets knippert gedurende dertig seconden na elke 100 uur werking. Reinig de aluminium filters. Na de

reiniging schakelt de lampwaarschuwing van de Snelheid 2 knop niet automatisch uit. Dit product blijft de 30-seconden waarschuwing weergeven wanneer het product uitschakelt na elke inschakeling. Wanneer u de Snelheid 2 knop langer 3 seconden aanraakt, wordt de aluminium filter vol waarschuwing gereset en schakelt de lamp uit.



De waarschuwing wordt niet geannuleerd als stroom wordt losgekoppeld wanneer de afzuigkap de aluminium filter vol waarschuwing weergeeft. Als er stroom beschikbaar is, blijft waarschuwen met het knipperende licht van de Snelheid 2 toets.



Als u uw afzuigkap aan een snelheidsniveau doet draaien met de aluminium filter vol waarschuwing verschijnt de waarschuwing niet zo lang de afzuigkap is ingeschakeld. Wanneer u de afzuigkap uitschakelt, begint de filter vol waarschuwing opnieuw te knipperen gedurende 30 seconden.



Als u de waarschuwing uitschakelt zonder het aluminium filter te reinigen, wordt de werkingsduur van 100 uur gereset en begint deze opnieuw. Aan het einde van de volgende 100 uur schakelt de waarschuwing van uw afzuigkap opnieuw in.

Het koolstoffilter vol waarschuwing (voor producten met een koolstoffilter)

De lamp van de Snelheid 2 toets knippert gedurende dertig seconden na elke 100 uur werking. Raadpleeg hiervoor een geautoriseerde service. Na de vervanging schakelt de lampwaarschuwing van de Snelheid 2 knop niet automatisch uit. Dit product blijft de 30-seconden waarschuwing weergeven wanneer het product uitschakelt na elke inschakeling. Wanneer u de Snelheid 2 knop langer 3 seconden aanraakt, wordt koolstoffilter filter vol waarschuwing gereset en schakelt de lamp uit.



De waarschuwing wordt niet geannuleerd als stroom wordt losgekoppeld wanneer de afzuigkap koolstoffilter vol waarschuwing weergeeft. Als er stroom beschikbaar is, blijft waarschuwen met het knipperende licht van de Snelheid 2 toets.



Als u uw afzuigkap aan een snelheidsniveau doet draaien met koolstoffilter vol waarschuwing verschijnt de waarschuwing niet zo lang de afzuigkap is ingeschakeld. Wanneer u de afzuigkap uitschakelt, begint de filter vol waarschuwing opnieuw te knipperen gedurende 30 seconden.



Als u de waarschuwing uitschakelt zonder het koolstoffilter te vervangen, wordt de werkingsduur van 100 uur gereset en begint deze opnieuw. Aan het einde van de volgende 100 uur schakelt de waarschuwing opnieuw in.

6 Onderhoud en reiniging

6.1 Algemene reinigingsinformatie

Algemene waarschuwingen

- Wacht tot het product is afgekoeld voor u het product reinigt. Hete oppervlakken kunnen brandwonden veroorzaken!

- U mag de reinigingsmiddelen niet rechtstreeks aanbrengen op de warme oppervlakken. Dit kan permanente vlekken veroorzaken.
- Het product moet grondig worden gereinigd en gedroogd na elk gebruik. Voedselresten kunnen dus gemakkelijk wor-

den gereinigd en zodat deze resten niet in brand kunnen schieten wanneer het product de volgende keer wordt gebruikt. Dit resulteert in een langere levensduur van het apparaat en een vermindering van vaak voorkomende problemen.

- Gebruik geen stoomreinigers voor de reiniging.
- Bepaalde wasmiddelen of reinigingsmiddelen kunnen het oppervlak beschadigen. Niet-geschikte reinigingsmiddelen zijn: bleekmiddel, reinigingsmiddelen met ammoniak, zuur of chloor, stoomreinigende producten, ontkalkingsmiddelen, vlekken- en roestverwijderaars, schurende reinigingsmiddelen (crème reinigingsmiddelen, schurend poeder of crème, schurende en krassende schrobber, draad, sponzen, reinigingsdoeken met vuil en oplosmiddel resten).
- Er is geen speciaal reinigingsmateriaal nodig voor de reiniging na elk gebruik. Reinig het apparaat met een vaatwasmiddel, warm water en een zachte doek of spons en droog het met een droge doek.
- U moet alle resterende vloeistof afdrogen na de reiniging en alle eventuele voedselresten onmiddellijk reinigen tijdens de bereiding.
- Was geen enkel onderdeel van uw apparaat in de vaatwasser, tenzij anders vermeld in de gebruikershandleiding.

Roestvrij stalen oppervlakken

- Gebruik geen reinigingsmiddelen met zuur of chloor om roestvrij stalen oppervlakken en handvaten te reinigen.
- De kleur van het roestvrij stalen oppervlak kan veranderen na verloop van tijd. Dit is normaal. U moet na elk gebruik reinigen met een wasmiddel dat geschikt is voor roestvrij stalen oppervlakken.
- Reinig met een doek in een zeepsopje en vloeibaar (niet-krassend) wasmiddel geschikt voor roestvrij stalen oppervlakken en zorg ervoor dat u in een richting blijft wrijven.

- Verwijder kalk, olie, zetmeel, melk en eiwitvlekken onmiddellijk van de glazen en roestvrij stalen oppervlakken zonder te wachten. Vlekken kunnen na een lange tijd beginnen roesten.
- Reinigingsmiddelen die op het oppervlak worden verstoven/aangebracht moeten onmiddellijk worden gereinigd. Als men schurende reinigingsmiddelen achterlaat op het oppervlak, kan dit wit worden.

Glazen oppervlakken

- Tijdens de reiniging van glazen oppervlakken mag u geen harde metalen krabbers en schurende reinigingsmiddelen gebruiken. Deze kunnen de glazen oppervlakken beschadigen.
- Reinig het apparaat met een vaatwasmiddel, warm water en een microvezel doek specifiek voor glazen oppervlakken en droog het met een droge doek.
- Als er wasmiddel achterblijft na de reiniging moet u dit afnemen met koud water en het drogen met een schone microvezel doek. Resterende wasmiddel resten kunnen het glazen oppervlak de volgende keer beschadigen.
- Opgedroogde resten op het glas mogen in geen geval worden verwijderd met een zaagmes, draadwol of gelijkaardig krassend gereedschap.
- U kunt de kalkvlekken (gele vlekken) op het glazen oppervlak verwijderen met een commercieel beschikbaar ontkalkingsmiddel met azijn of citroensap.
- Als het oppervlak zeer vuil is, kunt u het reinigingsmiddel aanbrengen op de vlek met een spons en moet u het product laten inwerken om het correct te reinigen. Reinig het glazen oppervlak met een natte doek.
- Verkleuringen en vlekken op het glazen oppervlak zijn normaal en geen defecten.

Plastic onderdelen en geveerde oppervlakken

- Reinig de plastic onderdelen en geveerde oppervlakken met vaatwasmiddel, warm water en een zachte doek of spons en droog het met een droge doek.

- Gebruik geen harde metalen krabbers en schurende reinigingsmiddelen. Dit kan de oppervlakken beschadigen.
- Zorg ervoor dat de verbindingstukken van de onderdelen van het product niet vochtig en met wasmiddel worden achtergelaten. Zo niet kan corrosie optreden op deze verbindingen.

6.2 Het bedieningspaneel reinigen

- Als u de panelen met knoppen reinigt, moet u het paneel en de knoppen afnemen met een vochtige, zachte doek en afdrogen met een droge doek. Verwijder de knoppen en pakkingen onderaan niet om het paneel te reinigen. Het bedieningspaneel en de knoppen kunnen worden beschadigd.
- Tijdens het reinigen van de roestvrij stalen panelen met knoppen mag u geen reinigingsmiddel voor roestvrij staal gebruiken. De indicatoren rond de knop kunnen worden gewist.
- Reinig het touch bedieningspaneel met een vochtige, zachte doek en droog het met een droge doek. Als uw product voorzien is van een toetsvergrendeling moet u deze vergrendeling instellingen voor u het bedieningspaneel begint te reinigen. Zo niet kan een incorrecte detectie optreden in de toetsen.

6.3 Aluminium filter

Dit filter dient om oliedeeltjes in de lucht op te vangen. **Het is raadzaam het filter bij normaal gebruik één maal per maand te reinigen.** U moet hiervoor:

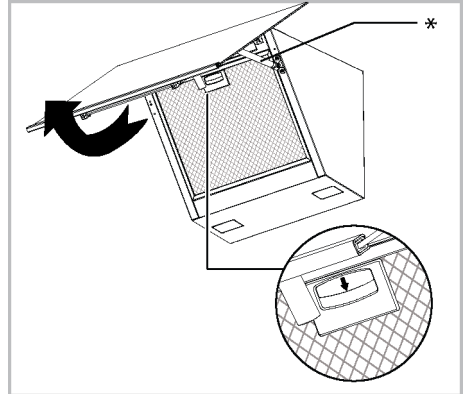
1. Verwijder de aluminium filters.
2. Was de filters in water met vaatwasmiddel en breng ze opnieuw aan na het drogen.

Aluminium kunnen verkleuren wanneer ze worden gewassen. Dit is normaal en u hoeft het filter niet te vervangen.

 U mag het aluminium filter ook wassen in de wasmachine. (max. 70 °C)

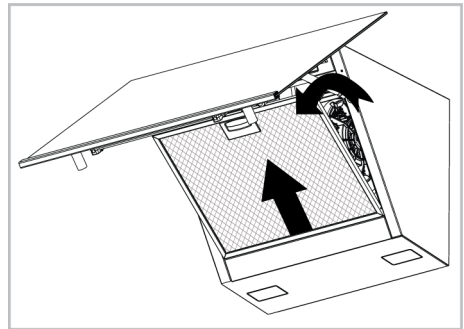
De aluminium filters verwijderen

1. Open het deksel van de afzuigkap omhoog en trek de vergrendeling van het aluminium filter omlaag zoals weergegeven in de afbeelding.



* De demper is optioneel. Het is mogelijk niet beschikbaar in uw product.

2. Trek het filter zachtjes naar u toe en trek het dan omhoog om het uit de sleuf te verwijderen.



3. Installeer het aluminium filter opnieuw in de sleuf nadat u het hebt afgespoeld door de stappen in de omgekeerde volgorde te volgen.

6.4 Koolstoffilter (gebruik zonder afvoerkanaal)

Algemene waarschuwingen

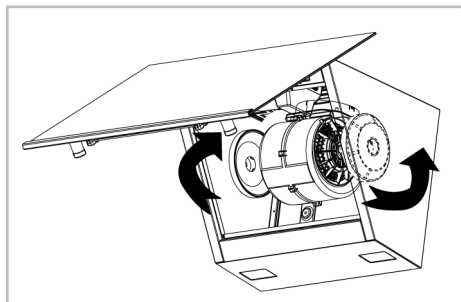
- Als u uw product hebt geïnstalleerd zonder een afvoerkanaal moet u uw koolstoffilters vervangen na 4 maanden normaal gebruik. U kunt het koolstoffilter verkrijgen van de geautoriseerde diensten.
- Het koolstoffilter mag nooit worden gewassen.
- Als u de regels voor de reiniging en vervangen van de filters van uw afzuigkap niet volgt, kan dit brand veroorzaken.



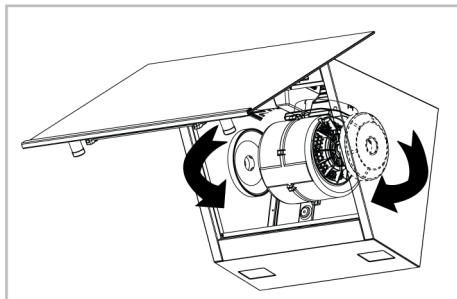
Indien een koolstoffilter wordt gebruikt, neemt het geluidsniveau toe en nemen de debietprestaties af.

De koolstoffilters verwijderen

1. Open het glazen deksel van de afzuigkap en verwijder het aluminium filter.
2. Schroef de koolstoffilters los rechts en links van de motorhouder.



3. Plaats de sleuven van uw nieuwe koolstoffilters in de gleuven van de motorhouder en draai ze rechtsom om ze op hun plaats te klemmen.



4. Sluit de glazen deksel van de afzuigkap nadat u de aluminium filters hebt geïnstalleerd.

6.5 Lamp van de afzuigkap

Als de lamp van de afzuigkap defect is, moet u contact opnemen met uw lokale verkoper of de klantendienst en ervoor zorgen dat deze lamp wordt vervangen.

7 Probleemoplossing

Als het probleem aanhoudt nadat de instructies in dit hoofdstuk werden nageleefd, kunt u contact opnemen met uw verkoper of een geautoriseerde dienst. Probeer nooit een defect product zelf te repareren.

Het product werkt niet.

- De zekering kan defect of gesprongen zijn. >>> Controleer de zekeringen in de zekeringenkast. Vervang ze indien nodig, of schakel ze opnieuw in.
- De stekker van het product zit mogelijk niet in het stopcontact. >>> Controleer of de stekker van het product is ingevoerd.
- De snelheidsknop is mogelijk niet ingesteld. >>> Druk op/raak de gewenste snelheidsknop aan.
- Er is mogelijk geen elektriciteit. >>> Zorg ervoor dat het elektrisch net werkt en controleer de zekeringen in de zekeringenkast. Vervang de zekeringen indien nodig, of schakel ze opnieuw in.

De lamp van de afzuigkap is niet ingeschakeld.

- De lamp van de afzuigkap is mogelijk defect. >>> Neem contact op met uw lokale detailhandelaar waar u uw product hebt gekocht of de klantendienst en zorg ervoor dat de lamp wordt vervangen.
- Er is mogelijk geen elektriciteit. >>> Zorg ervoor dat het elektrisch net werkt en controleer de zekeringen in de zekeringkast. Vervang de zekeringen indien nodig, of schakel ze opnieuw in.

