

# CHP36100SS



## 36" Under Cabinet Pro-Style Hood



### GENERAL PROPERTIES

Type	Under Cabinet
Size	36" Wide
Venting Options	Ducted
Control Type	Knobs
Finish	Stainless Steel

### PERFORMANCE

Intensive Setting (Booster)	Yes
No. of Power Levels	4
Number of Motors	1
Maximum Ventilation Capacity	910 CFM
Maximum Noise Level	62 dBA
Minimum Noise Level	38 dBA
Noise Levels (Speed 1-2-3-HI)	38 - 52 - 61 - 62 dBA

## PREMIUM TECHNOLOGY



### POWERFUL SMOKE AND ODOR REMOVAL

910 CFM venting system with 4 speeds helps to effectively remove smoke, grease, moisture and odors.



### BAFFLE FILTERS

Professional-style baffle filters provide great filtration and are dishwasher-safe for easy clean-up.



### LED LIGHTING

Two LED lights shine bright to help illuminate your cooking surface.

# CHP36100SS



## 36" Under Cabinet Pro-Style Hood

### FEATURES

Type of Lighting	LED
No. of Lights	2 (6.5 W)
Adjustable Illumination	Yes
No. of Grease Filters	2
Type of Grease Filters	Metal - Baffle Filter
Dishwasher Safe Filters	Yes

### TECHNICAL INFORMATION

Total Power Consumption (Motor + Lamps)	900 W
Volts / Frequency	120 V , 60 Hz
Min. Circuit Required	7.5 Amp
Electrical Connection	Hardwire
Diameter of Air Duct (Top)	10"

### DIMENSIONS & WEIGHT

Product (H x W x D) (in)	18 x 36 x 25
Required Cutout Size (H x W x D) (in)	18 x 36 x 25
Minimum Distance Above Cooking Surface (in)	30
Carton (H x W x D) (in)	24 5/8 x 41 3/16 x 30
Product Weight (lbs)	75
Shipping Weight (lbs)	95.6

### ACCESSORIES (INCLUDED)

Fitting Kit (Screws)	Yes
----------------------	-----

### WARRANTY

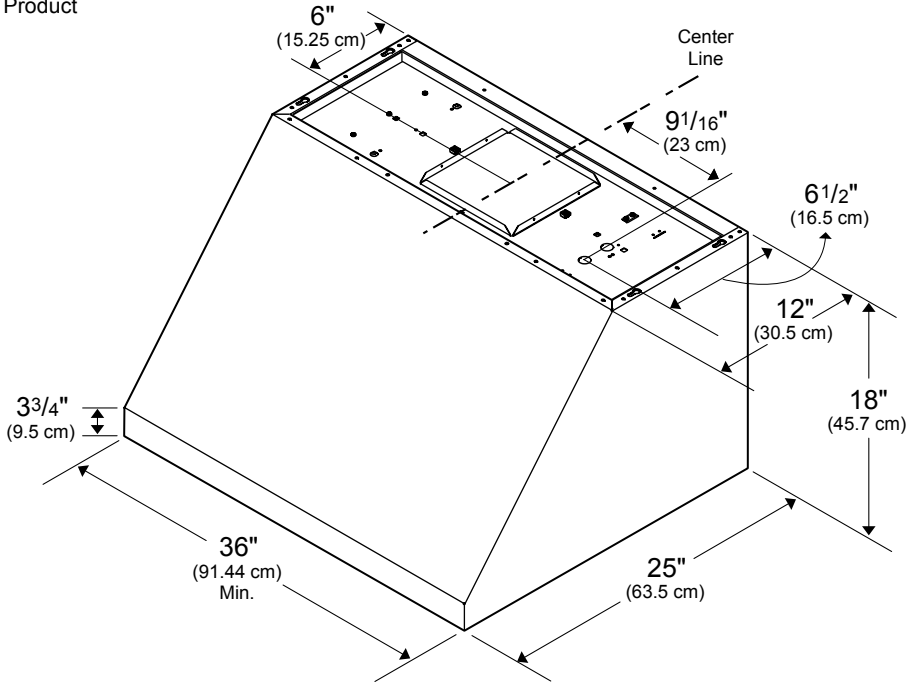
Entire Appliance	2-Year Limited Warranty
------------------	-------------------------

# CHP36100SS

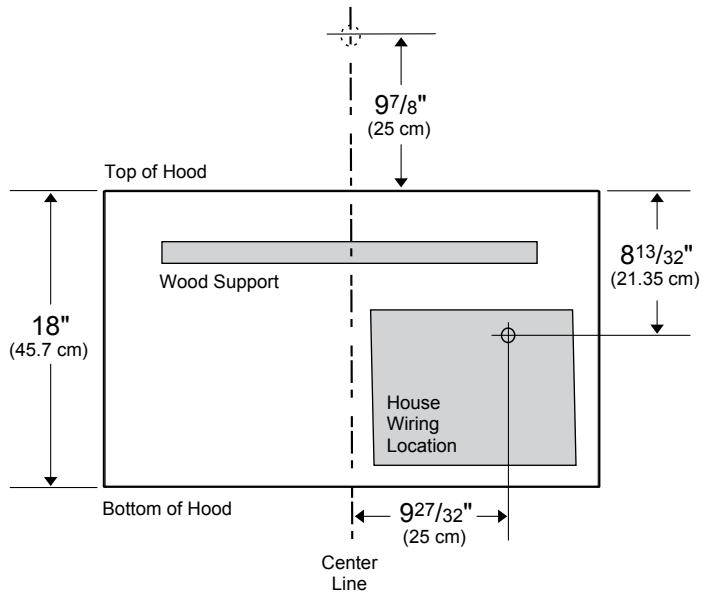


## 36" Under Cabinet Pro-Style Hood

### Product



### Installation



NOTE TO THE INSTALLER: All height, width, and depth dimensions are shown in inches (as well as metric). Beko U.S., Inc. reserves the absolute and unrestricted right to change product materials and specifications, at any time, without notice. Please visit our website, [www.BekoAppliances.com](http://www.BekoAppliances.com), or call 888.352.2356 to verify the latest specifications with final dimensional data and other details prior to installation and making a cutout. Applicable product limited warranty information may be found in accompanying product materials, or you may contact your account manager for further details. Proper installation is the responsibility of the installer. Product failure due to improper installation is not covered under the Limited Warranty.