

BFBF2414WHIM



24" Bottom Freezer Refrigerator with Ice Maker



GENERAL PROPERTIES

Type	Freestanding
Style	Bottom Freezer
Finish	White
Handles	Flush Pocket Handle
Metal Back Wall	–
Cooling System	NeoFrost™ Dual Cooling Technology
Control System	Electronic Controls
Control Display Type & Location	Digital LED Display, Interior
Connectivity	–

CAPACITY

Total Net Volume	11.22 cu. ft.
Fresh Food Net Volume	8.23 cu. ft.
Freezer Net Volume	2.99 cu. ft.

Also Available:

BFBF2414WH - Without Ice Maker

BFBF2414SSIM - Fingerprint-Free Stainless Steel



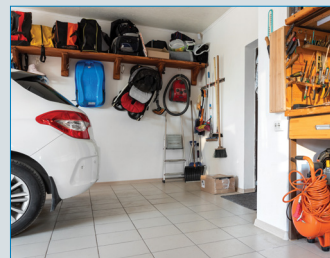
CEE Tier 1

PREMIUM TECHNOLOGY



NEOFROST™ DUAL COOLING TECHNOLOGY

NeoFrost™ Dual Cooling's separate cooling systems for each compartment maintain ideal air flow and optimal temperatures with a high level of humidity in both the freezer and the fridge.



FREEZE GUARD

Beko Freeze Guard technology uses an inverter compressor and electronic temperature control system to ensure the freezer continues to work in ambient temperatures as low as 5° F, without any loss of performance.*

*The fridge compartment will not work properly in low temperatures, so we recommend you only use the freezer compartment in low ambient temperatures.

BFBF2414WHIM



24" Bottom Freezer Refrigerator with Ice Maker

PERFORMANCE	
Fresh Food Temperature Range*	33° F to 46° F
Freezer Temperature Range*	-11° F to 0° F
Environment Temperature Range	Operates in Temperatures Between 32° F and 110° F
Freeze Guard	Yes, Freezer Operates in Temperatures as Low as 5° F
Modes	On/Off Power, Temperature Control, Vacation, Economy
Compressor	Variable Speed VCC
ENERGY STAR® Certified	Yes - Most Efficient for 2024
Annual Energy Consumption	286 kwh/year

FRESH FOOD FEATURES	
Water Filter with Alert (6 Months)	-
Crispers	1 - Full-Width
Active Fresh Blue Light™ Crispers	-
Full-Width Deli Drawer	Yes
Shelves	3 - Full-Depth, Safety Glass
Total Number of Door Bins	3
Gallon-Sized Door Bins	-
Egg Tray	Yes
Wine Rack	Yes
Odor Control Technology	-
Sabbath Mode	-
Eco-Mode	Yes
Door Open Alarm	Yes
Interior Illumination	LED - Side Walls

FREEZER FEATURES	
Freezer Configuration	Swing Door
Freezer Drawers / Baskets / Bins	3 Removable Drawers
Freezer Interior Illumination	-
Automatic Ice Maker	Yes, Makes up to 2.2 lbs./Day
Auto Defrost	Yes

TECHNICAL INFORMATION	
Volts / Frequency	120 V / 60 Hz
Rated Current (A)	1 A
Min. Circuit Breaker Size	15 Amp
Sound Level	39 dBA
Refrigerant Type	R600a
Plug Type	NEMA 3-Prong
Power Cord Length	6 ft.
Reversible Doors	Yes

DIMENSIONS & WEIGHT	
Product (H x W x D) (in)	67 ³ / ₄ x 23 ⁷ / ₁₆ x 24 ¹ / ₂
Height With Hinge Cap	67 ³ / ₄
Height Without Hinge Cap	67 ³ / ₁₆
Depth With Handles	24 ¹ / ₂
Depth Without Handles	24 ¹ / ₂
Depth Without Doors	21 ⁵ / ₈
Carton (H x W x D) (in)	71 ³ / ₈ x 25 ¹³ / ₁₆ x 28 ¹¹ / ₁₆
Product Weight (lbs)	145.5
Shipping Weight (lbs)	154.3

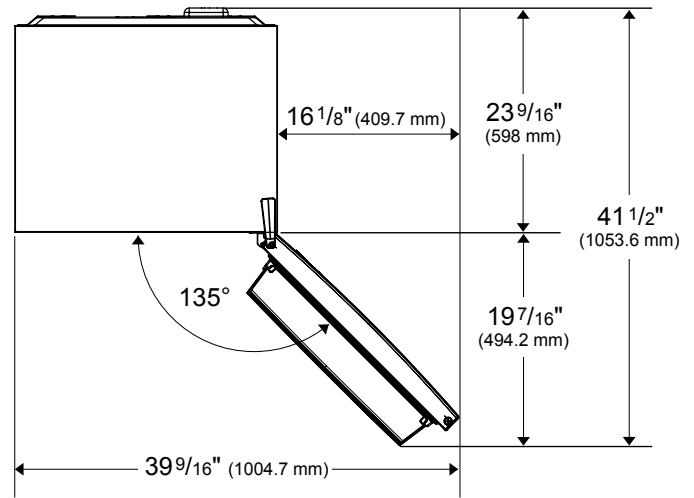
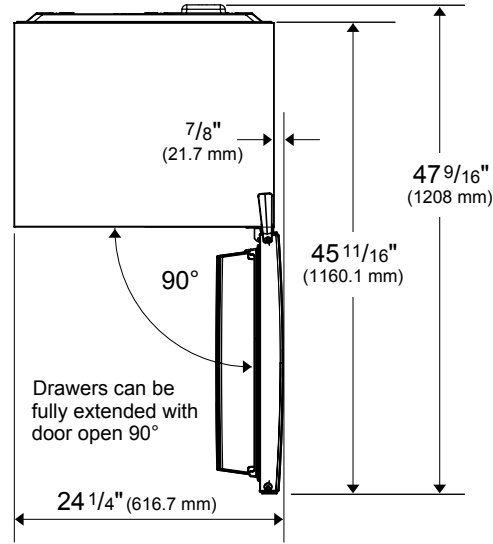
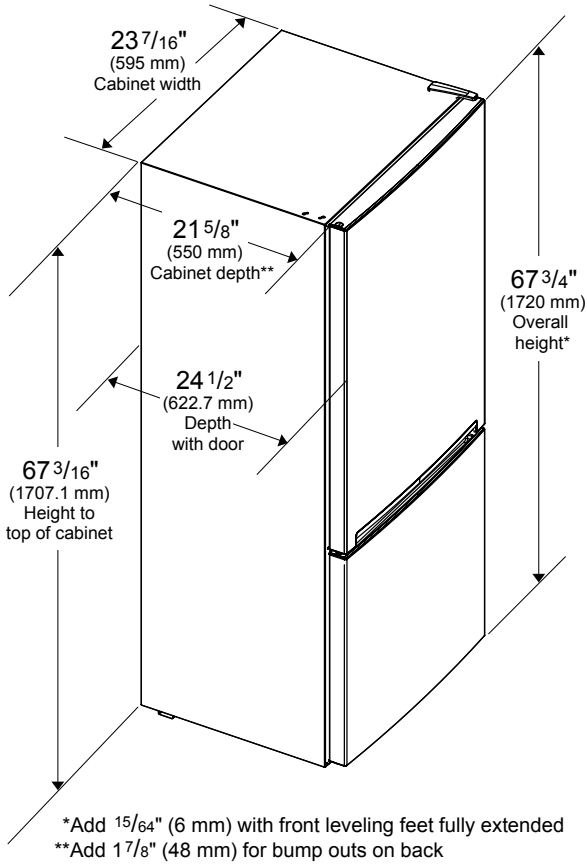
WARRANTY	
Entire Appliance (Parts & Labor)	2-year Full Warranty
Sealed System (Parts Only)	5-year Limited Warranty

* Actual temperatures may vary with environment and other factors

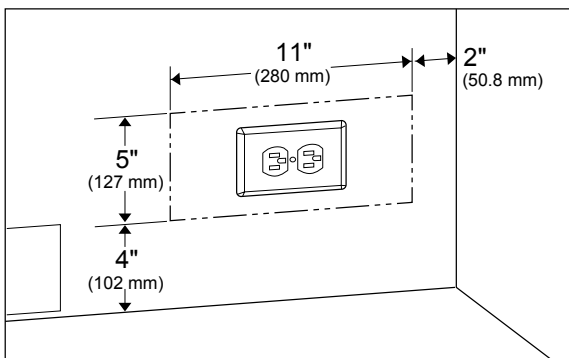
BFBF2414WHIM



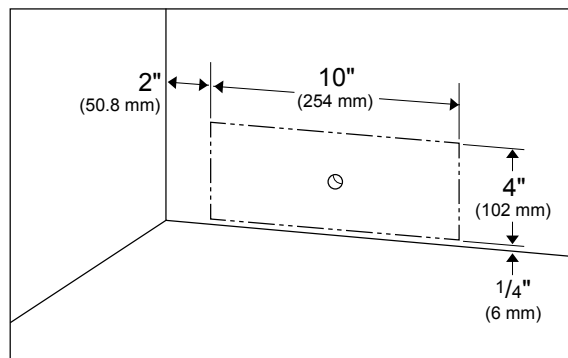
24" Bottom Freezer Refrigerator with Ice Maker



Electrical Location



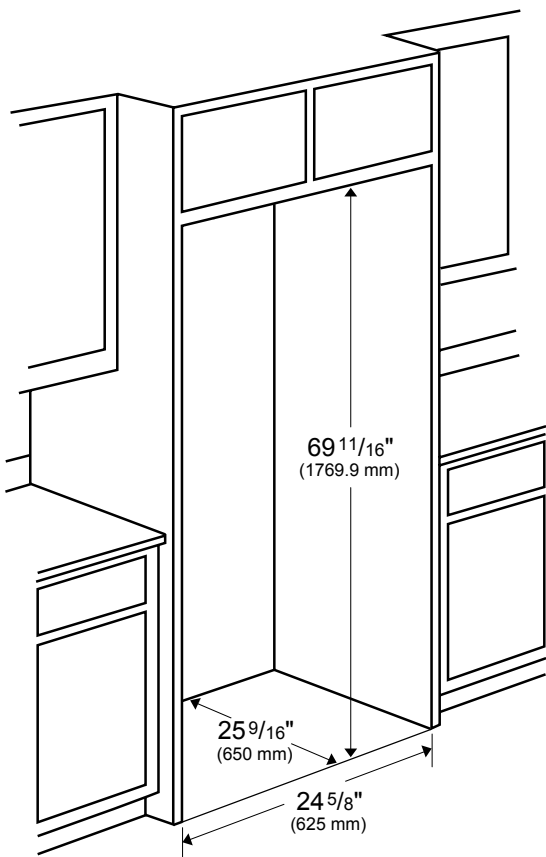
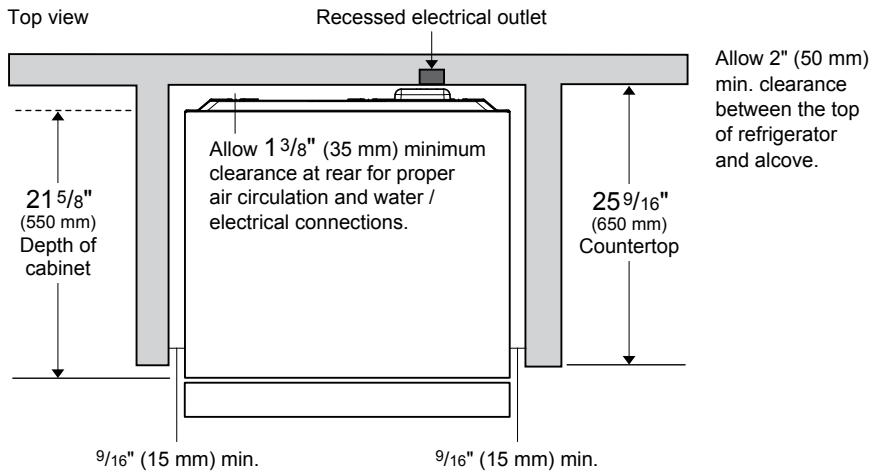
Water Location (Models with Ice Maker)



BFBF2414WHIM



24" Bottom Freezer Refrigerator with Ice Maker



NOTE TO THE INSTALLER: All height, width, and depth dimensions are shown in inches (as well as metric). Beko U.S., Inc. reserves the absolute and unrestricted right to change product materials and specifications, at any time, without notice. Please visit our website, www.BekoAppliances.com, or call 888.352.2356 to verify the latest specifications with final dimensional data and other details prior to installation and making a cutout. Applicable product limited warranty information may be found in accompanying product materials, or you may contact your account manager for further details. Proper installation is the responsibility of the installer. Product failure due to improper installation is not covered under the Limited Warranty.