

BFFD30216SSIM



30" Counter-Depth French Door Refrigerator



GENERAL PROPERTIES

Type	Freestanding
Style	Counter-Depth French Door
Finish	Fingerprint-Free Stainless Steel with Finished Gray Sides
Handles	Pro Handle - Rounded Stainless Steel
Metal Back Wall	Yes
Cooling System	AeroFlow™
Control System	Electronic Controls
Control Display Type & Location	Digital LED Display on Front Top Trim
Connectivity	WiFi thru HomeWhiz™

CAPACITY

Total Net Volume	16.09 cu. ft.
Fresh Food Net Volume	10.86 cu. ft.
Freezer Net Volume	5.23 cu. ft.



CEE Tier 1

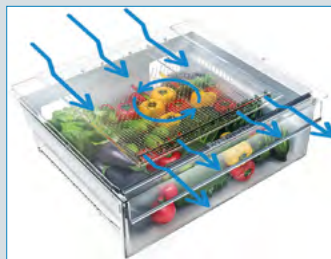
HomeWhiz™

PREMIUM TECHNOLOGY



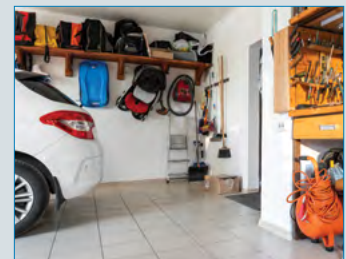
HARVESTFRESH™

Proprietary 3-color light technology simulates the 24-hour cycle of the sun. By mimicking a full day of sunshine, produce has been proven to retain its vitamins and minerals for up to five days longer than ordinary refrigerators.



EVERFRESH+™

EverFresh+ technology keeps fresh food fresher three times longer than the average refrigerator—for up to 30 days! Meticulous temperature management and precise humidity control mean every stalk, head, or bunch you bought as a healthy option or key ingredient stays fresher longer.



FREEZE GUARD

Beko Freeze Guard technology uses an inverter compressor and electronic temperature control system to ensure the freezer continues to work in ambient temperatures as low as 5° F, without any loss of performance.*

*The fridge compartment will not work properly in low temperatures, so we recommend you only use the freezer compartment in low ambient temperatures.

BFFD30216SSIM



30" Counter-Depth French Door Refrigerator

PERFORMANCE	
Fresh Food Temperature Range*	33° F to 46° F
Freezer Temperature Range*	-7° F to 5° F
Environment Temperature Range	Operates in Temperatures Between 32° F and 110° F
Freeze Guard	Yes, Freezer Operates in Temperatures as Low as 5° F
Modes	On/Off Power, On/Off Icemaker, Temperature Control, Water Filter Reset, Quick Freeze, Vacation, Sabbath
Compressor	Variable Speed VCC
ENERGY STAR® Certified	Yes
Annual Energy Consumption	525 kwh/year

FRESH FOOD FEATURES	
Water Filter with Alert (6 Months)	–
Crispers	2 - Humidity Controlled
EverFresh+™ Crispers	Yes
HARVESTfresh™ Crisper(s)	Yes
Full-Width Deli Drawer	Yes
Shelves	3 - Full-Depth, Safety Glass (2 Adjustable)
Total Number of Door Bins	6
Gallon-Sized Door Bins	2
Dairy Compartment	Yes
Odor Control Technology	FreshGuard™
Sabbath Mode	Yes
Eco-Mode	–
Door Open Alarm	Yes
Interior Illumination	LED - Side Walls and Ceiling

FREEZER FEATURES	
Freezer Configuration	Drawer
Freezer Drawers / Baskets / Bins	1 Drawer, 1 Ice Drawer, 1 Deep Bin with Removable Tray
Freezer Interior Illumination	Yes
Automatic Ice Maker	Yes, Makes up to 6 lbs./Day
Auto Defrost	Yes

TECHNICAL INFORMATION	
Volts / Frequency	120 V / 60 Hz
Rated Current (A)	2 A
Min. Circuit Breaker Size	15 Amp
Sound Level	39 dBA
Refrigerant Type	R600a
Plug Type	NEMA 3-Prong
Power Cord Length	6 ft.

DIMENSIONS & WEIGHT	
Product (H x W x D) (in)	69 ¹¹ / ₁₆ x 29 ³ / ₄ x 29 ¹³ / ₁₆
Height With Hinge Cap	69 ¹¹ / ₁₆
Height Without Hinge Cap	68 ¹ / ₂
Depth With Handles	29 ¹³ / ₁₆
Depth Without Handles	29 ⁹ / ₁₆
Depth Without Doors	24 ⁷ / ₁₆
Carton (H x W x D) (in)	73 x 32 x 30 ¹ / ₂
Product Weight (lbs)	208
Shipping Weight (lbs)	233

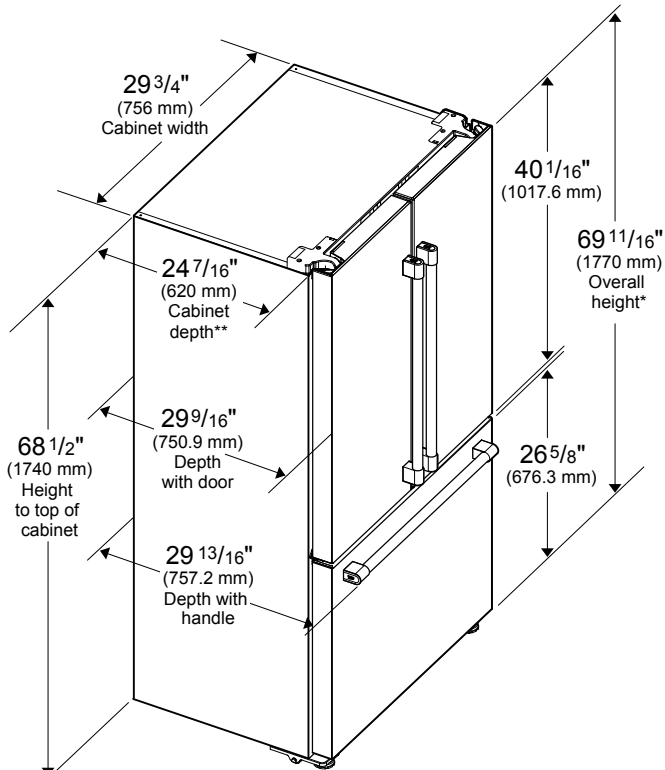
WARRANTY	
Entire Appliance (Parts & Labor)	2-year Full Warranty
Sealed System (Parts Only)	5-year Limited Warranty

* Actual temperatures may vary with environment and other factors

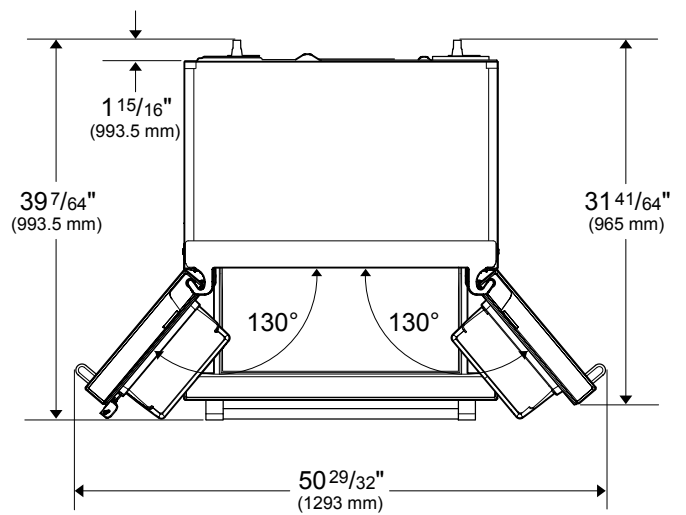
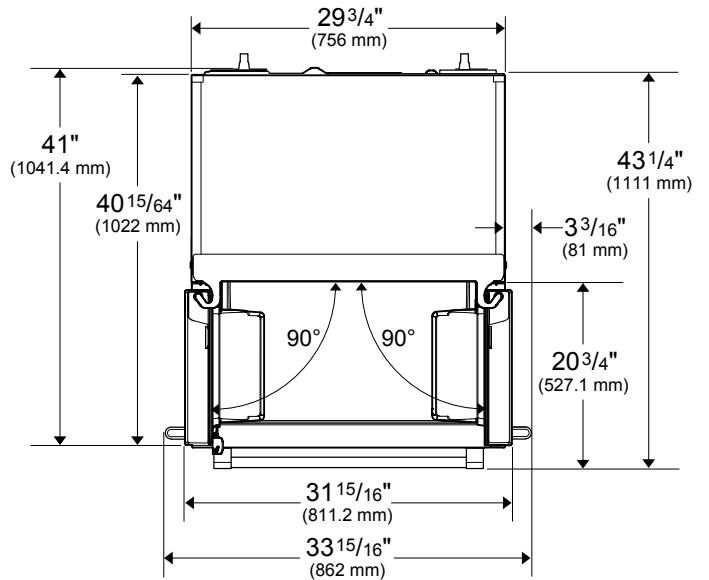
BFFD30216SSIM



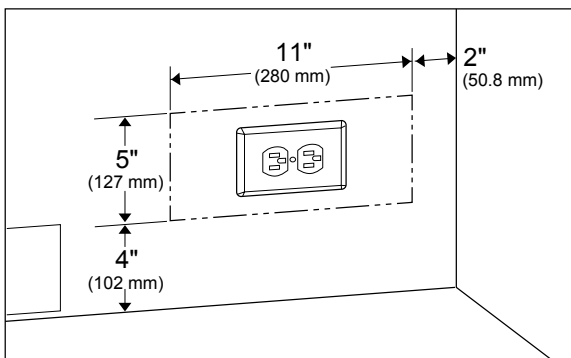
30" Counter-Depth French Door Refrigerator



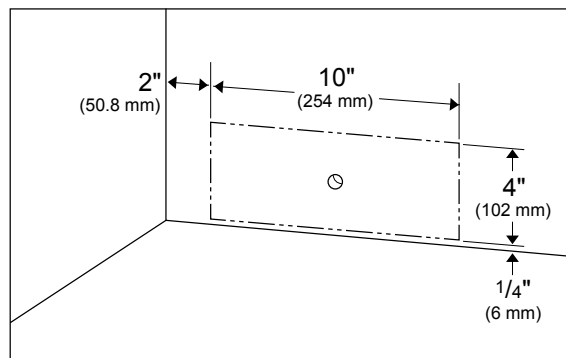
*Add 1" (25.4 mm) with front leveling feet fully extended
 **Add 1 15/16" (49 mm) for spacers on back



Electrical Location



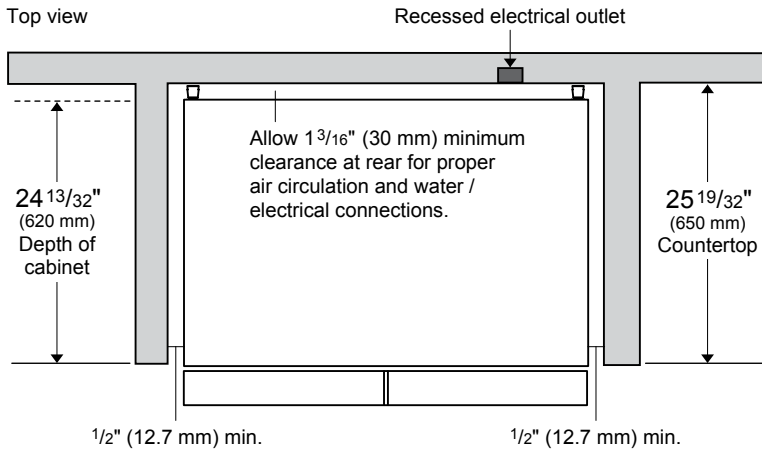
Water Location (Models with Ice Maker)



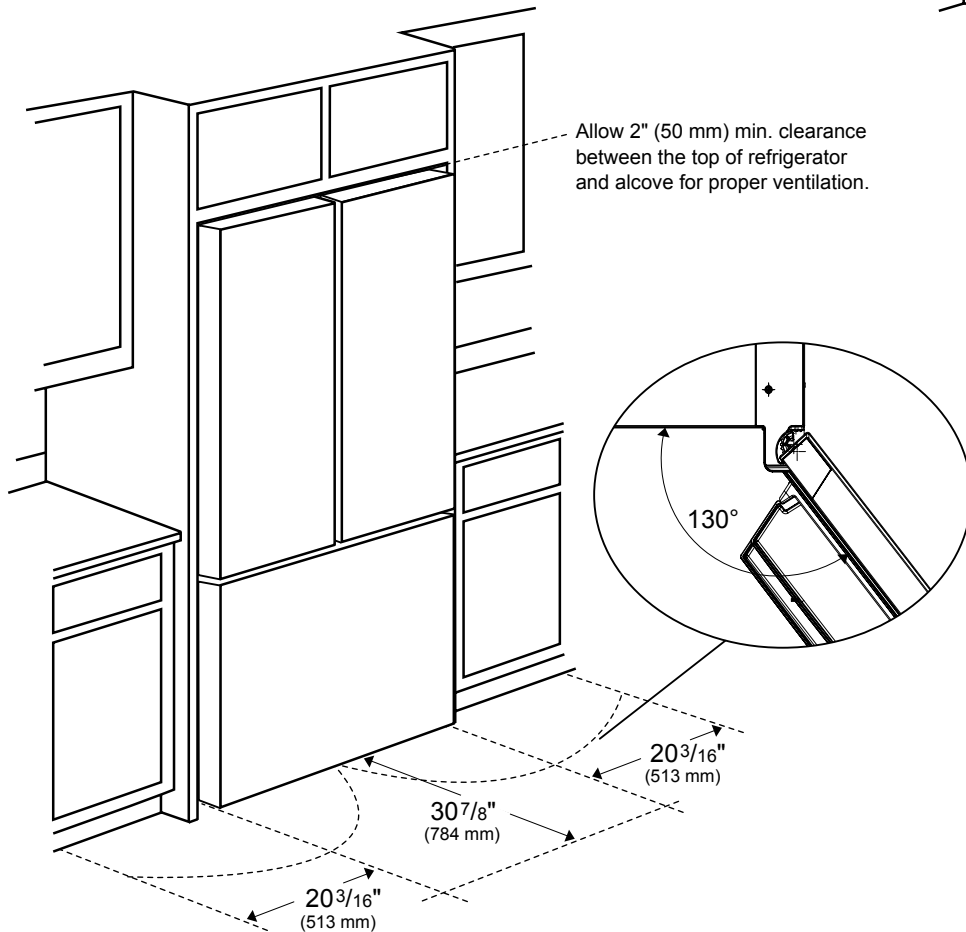
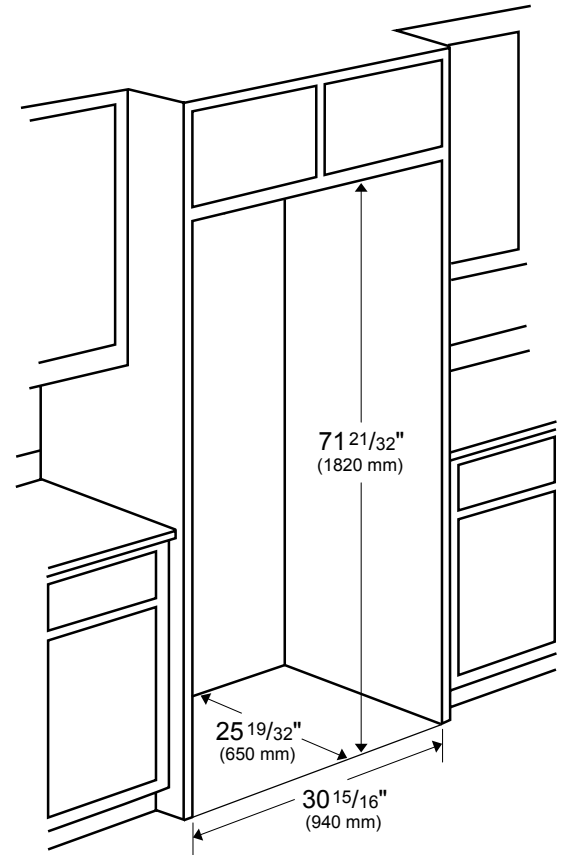
BFFD30216SSIM



30" Counter-Depth French Door Refrigerator



Allow 2" (50 mm) min. clearance between the top of refrigerator and alcove.



NOTE TO THE INSTALLER: All height, width, and depth dimensions are shown in inches (as well as metric). Beko U.S., Inc. reserves the absolute and unrestricted right to change product materials and specifications, at any time, without notice. Please visit our website, www.BekoAppliances.com, or call 888.352.2356 to verify the latest specifications with final dimensional data and other details prior to installation and making a cutout. Applicable product limited warranty information may be found in accompanying product materials, or you may contact your account manager for further details. Proper installation is the responsibility of the installer. Product failure due to improper installation is not covered under the Limited Warranty.