

BCTG36500SS



36" Gas Cooktop



GENERAL PROPERTIES

Size	36"
Finish	Stainless Steel
Control Type	Illuminated Knobs
Fuel Type	Natural Gas

FEATURES & PERFORMANCE

Burner Configuration	5 Sealed Burners
Front Left	4,500 BTU
Rear Left	9,000 BTU
Center	18,000 / 675 BTU
Front Right	11,000 BTU
Rear Right	4,500 BTU
High Output Power Burner	Yes
Simmer Function	Yes (Center Burner)
Grates	Continuous Cast Iron*
Electric Ignition	Yes
Automatic Reignition	Yes
Child Lock	Yes



PREMIUM TECHNOLOGY



ILLUMINATED KNOBS

The illuminated knobs make it easy to see which burners are on. Knobs are illuminated in red when the burner is on and in blue when the burner is off.



POWER BURNER

The high-output 18k BTU burner delivers heat on demand to sear in flavor or bring liquids to a boil quickly.



TRUE SIMMER

Turn the center burner down for a true simmer—perfect for delicate soups, sauces, and melting chocolate.

*Hand wash only; grates are not dishwasher-safe

BCTG36500SS



36" Gas Cooktop

TECHNICAL INFORMATION

Total Gas Consumption (NG / LP)	47,000 / 41,600 BTU
Volts / Frequency	110-120 V, 60 Hz
Min. Circuit Breaker Size	15 A
Power Cord	Attached to Cooktop (6 ft., 3-Prong)

ACCESSORIES (INCLUDED)

LP Conversion Kit	Yes
-------------------	-----

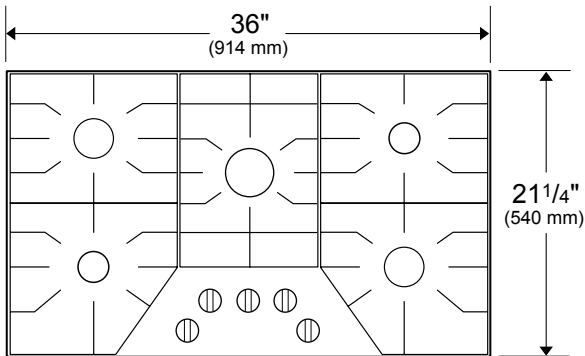
WARRANTY

Entire Appliance	2-Year Full Warranty
------------------	----------------------

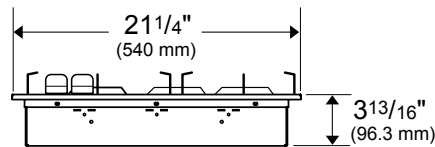
DIMENSIONS & WEIGHT

Product (H x W x D) (in)	3 13/16 x 36 x 21 1/4
Required Cutout Size (W x D) (in)	33 7/8 x 19 5/16
Carton (H x W x D) (in)	9 7/16 x 39 3/4 x 24 3/16
Product Weight (lbs)	56.65
Shipping Weight (lbs)	59.08

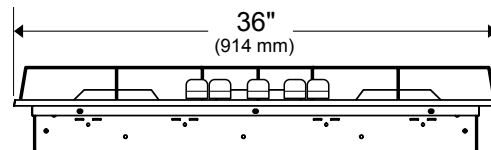
Top View



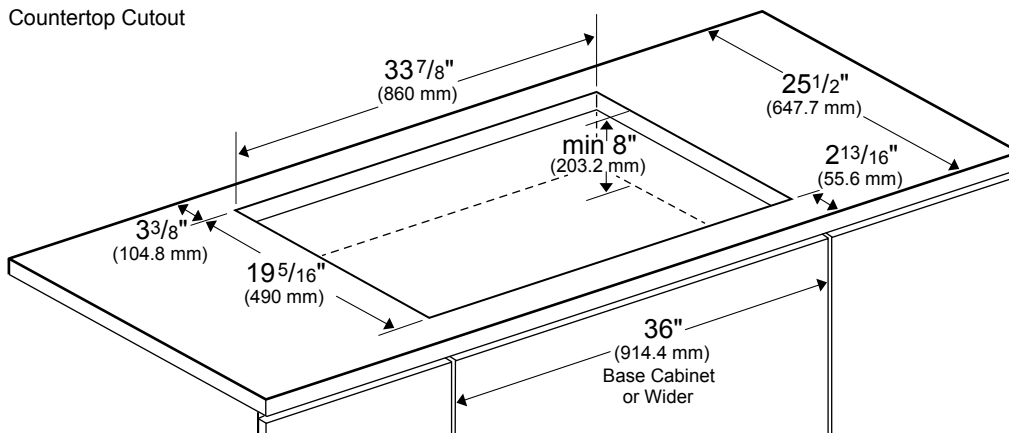
Side View



Front View



Countertop Cutout

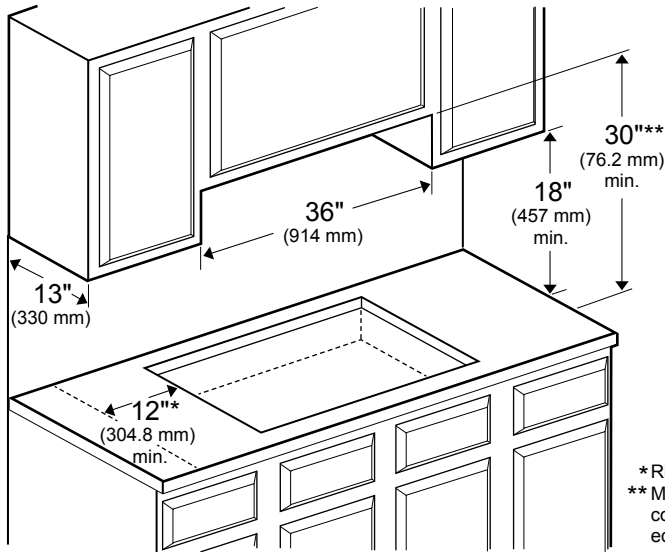


BCTG36500SS

36" Gas Cooktop

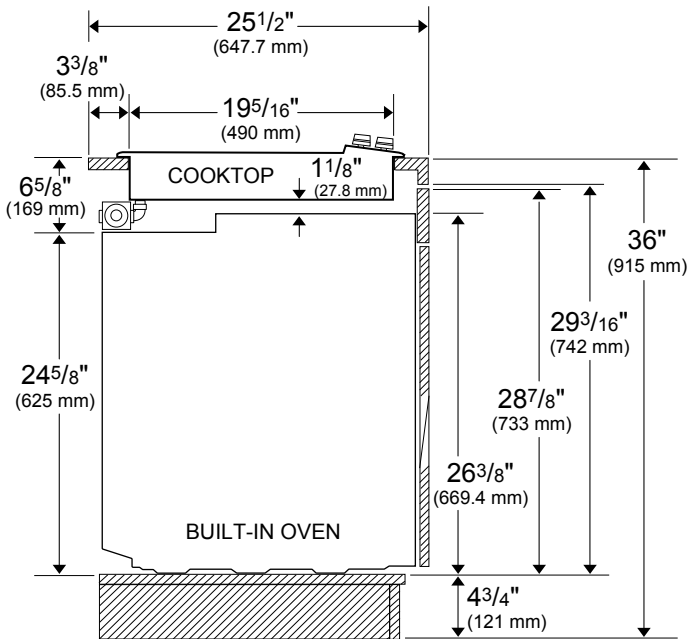


Clearances

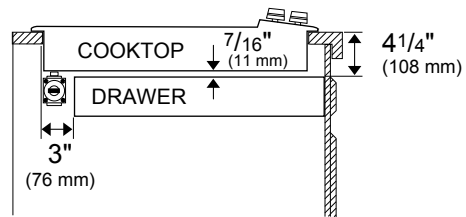


* Right and left sides
 ** Min. clearance between cooktop surface and lower edge of ventilation unit

Installation Above a Built-in Oven



Installation Above a Cabinet with Drawer



NOTE TO THE INSTALLER: All height, width, and depth dimensions are shown in inches (as well as metric). Beko U.S., Inc. reserves the absolute and unrestricted right to change product materials and specifications, at any time, without notice. Please visit our website, www.BekoAppliances.com, or call 888.352.2356 to verify the latest specifications with final dimensional data and other details prior to installation and making a cutout. Applicable product limited warranty information may be found in accompanying product materials, or you may contact your account manager for further details. Proper installation is the responsibility of the installer. Product failure due to improper installation is not covered under the Limited Warranty.