

30" Slide-In Dual Fuel Range

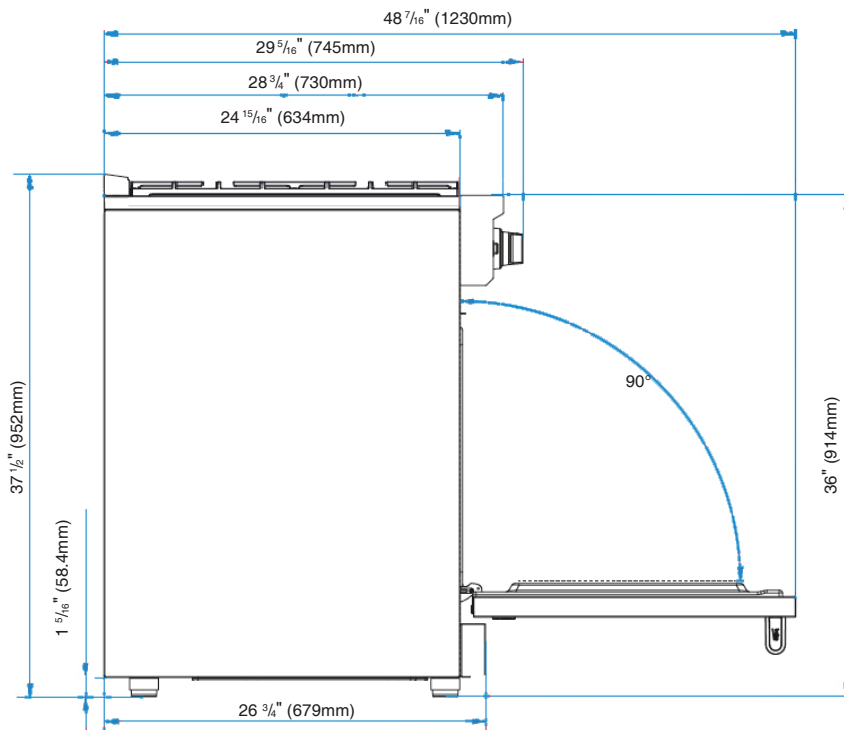
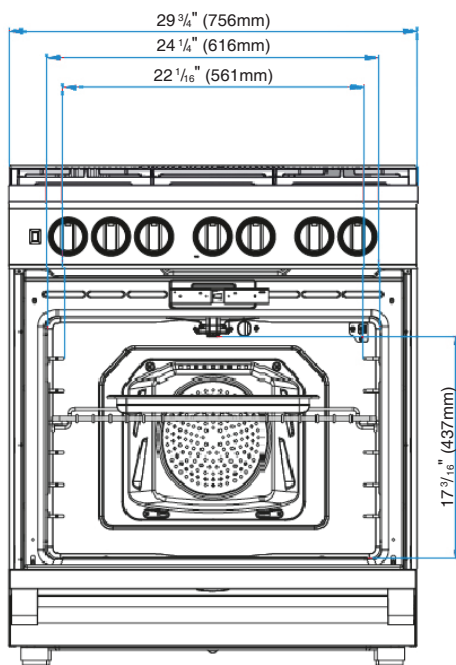
SLDF30540SS



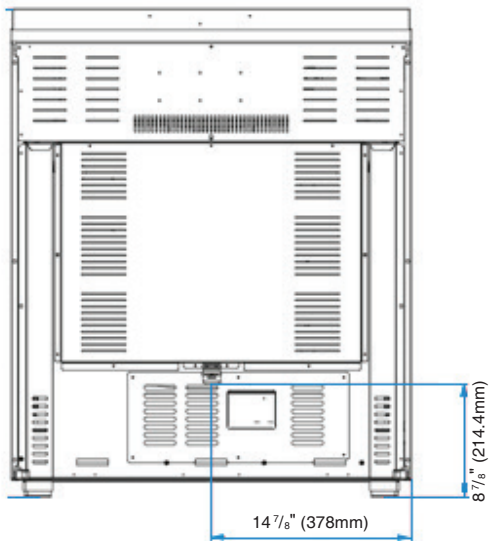
KEY FEATURES

- 5 Gas Burners
- XL Cooktop Surface
- Auto Re-ignition
- Easy to Clean Enamel Burner Plate
- 5.7 cu. ft. Oven Space
- Meat Probe
- Full Extension Baking Drawer
- 3 Wire Heavy Duty Racks with Wrap Around Metal Tines

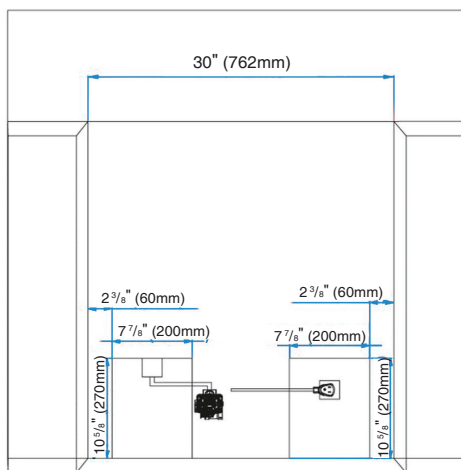
GENERAL	
Type	Freestanding
Size	30"
Finish	Stainless Steel
Side Walls	Black
Control Type	LED Display with InnovaChef Smart Display
FUNCTIONS	
Cooking Functions	12
Multi-Dimensional Cooking	Yes
Surf Convection	Yes
Bottom Heater	Yes
Broiler	Yes
Broil	Electric
Convection Broiler	Yes
Convection Roast	Yes
True European Convection	Yes
SPECIAL FEATURES	
12-24 hour Clock Format	Yes
Simmering	Yes
Cooling Fan	Yes
Sabbath Mode	Yes
Cavity Enameling Color	Black
Interior Oven Lights	2 x Halogen Lights
Adjustable Feet	Yes
Auto Reignition	Yes
Anti-Tip (Tilting) Bracket	Yes
Bottom Compartment	Baking Drawer
Fuel Type	NG + Electric
OVEN DOOR	
Oven Glass Window	"O" Shaped Metal + Glass
Door Cooling System	4 Pane Heat-Resistant Glass (Fixed)
Net Capacity cu. ft.	5.7 cu. ft. + 1 cu. ft. (Baking Drawer)
ACCESSORIES/ OVEN CAVITY	
Rack Positions	6 Levels — Stay In Self-clean
Telescopic Pull-out Shelf System	1 Level (Full Extension)
Pyrolytic Self-cleaning	Yes
Meat Probe	Yes
Broiler Pan	Included
Wok Adapter	Included
Chromed Racks	3
Side Trim Kit	Optional
Backguard	Optional
Griddle	Optional
LPG Conversion Kit	Yes
COOKTOP	
Burner Configuration	5 Burners
Front Left	12,500 BTU
Rear Left	4,000 BTU
Front Right	18,000 BTU
Rear Right	8,000 BTU
Central	10,000 BTU
Pan Support Type	Cast Iron Pan Support
POWER/RATINGS	
KW/Amps rating	220-240 V; 60 Hz; 40 Amp
DIMENSIONS	
Required cutout dim (H x W x D)	36" x 30" x 25 1/2"
Product dim (H x W x D)	36 x 29 13/16" x 29 1/2" (91.4 x 75.7 x 73 cm)
Packed H x W x D	45 1/4" x 32 3/4" x 30 5/16" (114.94 x 83.19 x 76.99 cm)
Product Weight	286.6 lbs. (130 kg)
Packed Weight	341.72 lbs. (155 kg)



Electrical

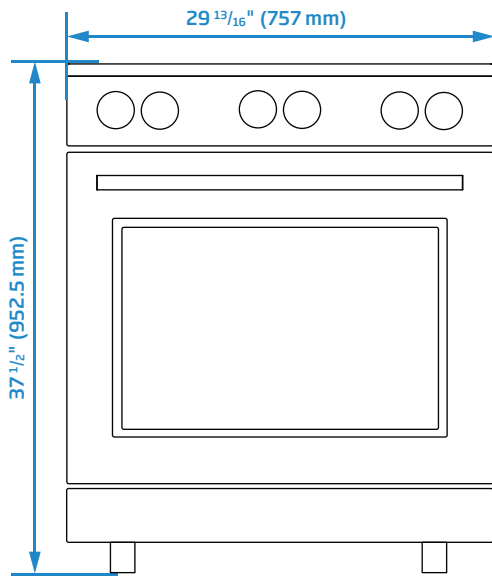


Cabinet

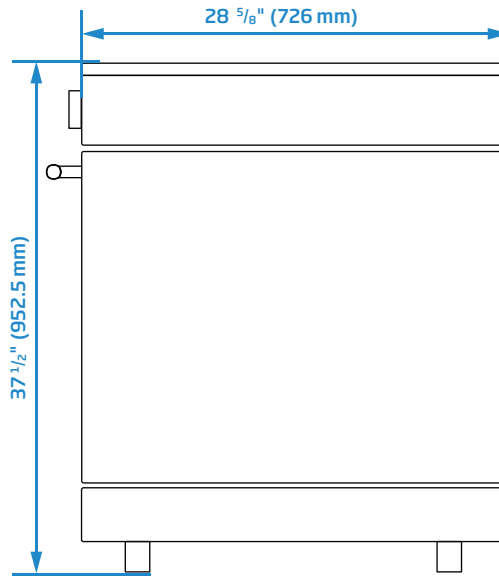


NOTE TO THE INSTALLER: All height, width, and depth dimensions are shown in inches (as well as metric). Beko U.S., Inc. reserves the absolute and unrestricted right to change product materials and specifications, at any time, without notice. Please visit our website, www.BekoAppliances.com, or call 888.352.2356 to verify the latest specifications with final dimensional data and other details prior to installation and making a cutout. Applicable product limited warranty information may be found in accompanying product materials, or you may contact your account manager for further details. Proper installation is the responsibility of the installer. Product failure due to improper installation is not covered under the Limited Warranty.

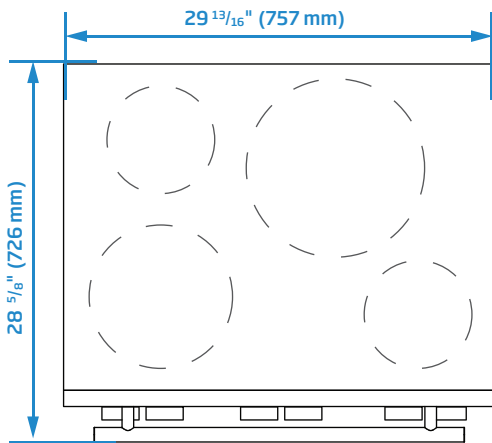
Front



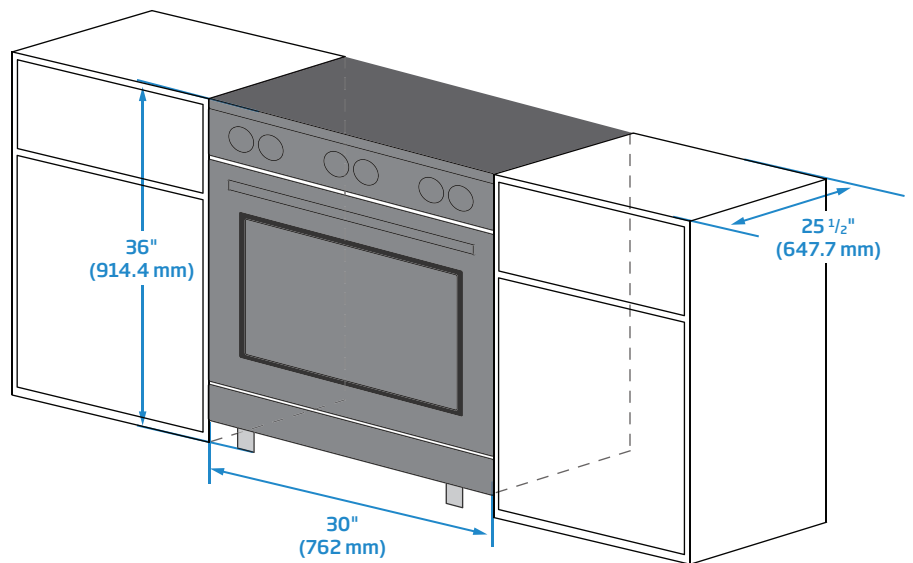
Side



Top



Cabinet Cutout



NOTE TO THE INSTALLER: All height, width, and depth dimensions are shown in inches (as well as metric). Beko U.S., Inc. reserves the absolute and unrestricted right to change product materials and specifications, at any time, without notice. Please visit our website, www.BekoAppliances.com, or call 888.352.2356 to verify the latest specifications with final dimensional data and other details prior to installation and making a cutout. Applicable product limited warranty information may be found in accompanying product materials, or you may contact your account manager for further details. Proper installation is the responsibility of the installer. Product failure due to improper installation is not covered under the Limited Warranty.