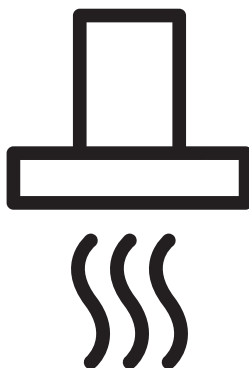




## Cooker Hood

User Manual



CWB 6441 XN	CWB 9441 XN
CWB 6441 XNHA	CWB 9441 XNHA
CWB 6441 WNHA	CWB 9441 WNHA
CWB 6441 BNHA	

EN - FR - AR



01M-8866623200-1223-08  
01M-8808493200-1223-08  
01M-8808483200-1223-08  
01M-8808503200-1223-08

01M-8891303200-1223-08  
01M-8808463200-1223-08  
01M-8808473200-1223-08

## CONTENTS

---

<b>ENGLISH</b>	<b>03-13</b>
<b>FRANÇAIS</b>	<b>14-25</b>

## Please read this user manual first!

Dear Valued Customer,

Thank you for preferring this Beko appliance. We hope that you get the best results from your appliance which has been manufactured with high quality and state-of-the-art technology. For this reason, please read this entire user manual and all other accompanying documents carefully before using the appliance and keep it as a reference for future use. If you handover the appliance to someone else, give the user manual as well. Follow the instructions by paying attention to all the information and warnings in the user manual.

Remember that this user manual may also apply to other models. Differences between models are explicitly described in the manual.

## Meanings of the Symbols

Following symbols are used in various sections of this user manual:



Important information and useful hints about usage.



**WARNING:** Warnings against dangerous situations concerning the security of life and property.



**WARNING:** Warning for danger of fire.



**WARNING:** Warning for electric shock.

# 1 Important safety and environmental instructions

## 1.1 General Safety

Important Safety Instructions Read Carefully And Keep For Future Reference This section contains safety instructions that will help protect from risk of fire, electric shock, exposure to leak microwave energy, personal injury or property damage. Failure to follow these instructions shall void any warranty.

- Beko products comply with the applicable safety standards; therefore, in case of any damage on the appliance or power cable, it should be repaired or replaced by the dealer, service center or a specialist and authorized service alike to avoid any danger. Faulty or unqualified repair work may be dangerous and cause risk to the user.
- This appliance is intended to be used in household and similar applications such as:
  - Staff kitchen areas in shops, offices and other working environments;
  - Farm houses
  - By clients in hotels, and other residential type environments;
  - Bed and Breakfast type environments.
- Operate the appliance for its intended purpose only as described in this manual.
- The manufacturer cannot be held liable for damages resulting from improper installation or misuse of the product.
- This appliance can be used by children aged from 8 years and above and persons with reduced physical, sensory or mental capabilities or lack of experience and knowledge if they have been given supervision or instruction concerning use of the appliance in a safe way and understand the hazards involved.
- Children shall not be allowed play with the appliance. Cleaning and user maintenance shall not be made by children without supervision.
- The minimum distance between the supporting surface for the

# 1 Important safety and environmental instructions

cooking vessels on the hob and the lowest part of your product must be at least 65 cm.

- If the instructions for installation for the gas hob specify a greater distance, this has to be taken into account.
- Make sure that your mains power supply complies with the information supplied on the rating plate of the appliance.
- Never use the appliance if the power cable or the appliance itself is damaged.
- Prevent damage to the power cable by not squeezing, bending, or rubbing it on sharp edges. Keep the power cable away from hot surfaces and naked flame.
- Use the appliance with a grounded outlet only.

**WARNING:** Do not connect the appliance to the mains until the installation is fully complete.

- Place the appliance in a way so that the plug is always accessible.
- Do not touch the lamps if they have operated for a long time. They can burn your hands since

they will be hot.

- Follow the regulations set out by competent authorities on discharge of the exhaust air (this warning is not applicable for use without flue).
- Operate your appliance after putting a pot, pan etc. on the hob. Otherwise, high heat may cause deformation in some parts of your product.
- Turn off the hob before taking the pot, pan etc. from it.
- Do not leave hot oil on the hob. Pans with hot oil may cause self combustion.
- Pay attention to your curtains and covers since oil may catch fire while cooking food such as fries.
- Grease filter must be cleaned at least monthly. Carbon filter must be replaced at least every 3 months.
- Product shall be cleaned accordance with user manual. If cleaning was not carried out in accordance with user manual, there may be fire risk.

# 1 Important safety and environmental instructions

- Do not use non-fire-resistant filtering materials instead of the current filter.
  - Only use the original parts or parts recommended by the manufacturer.
  - Do not operate the product without the filter and do not remove the filters while the product is running.
  - In the event of be started any flame, de-energize your product and cooking appliances.
  - In the event of be started any flame, cover the flame and never use water to extinguish.
  - Unplug the appliance before each cleaning and when the appliance is not in use.
  - The negative pressure in the environment should not exceed 4 Pa (4x10 bar) while the hood for electric hob and appliances running on another type of energy but electricity operate simultaneously.
  - In the environment where the appliance is being used, the exhaust of devices running on fuel oil or gas, such as room heater must be absolutely isolated or device must be hermetical type.
  - When connecting the flue, use pipes with a diameter of 120 or 150 mm. Pipe connection must be as short as possible and have as few elbows as possible.
  - Danger of choking! Keep all the packaging materials away from children.
- CAUTION:** Accessible parts may become hot when used with cooking appliances.
- The product outlet must not be connected to air channels that include other smoke.
  - The ventilation in the room may be insufficient when the hood for electric hob is used simultaneously with the devices operating on gas or other fuels (this may not apply to appliances that only discharge the air back into the room).
  - Objects placed on the product may fall. Do not place any objects on the product.
  - Do not flambe under the your product.

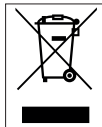
# 1 Important safety and environmental instructions

**WARNING:** Before installing the Hood, remove the protective films.

- Never leave high naked flames under the hood when it is in operation
- Deep fat fryers must be continuously monitored during use: overheated oil can burst into flames.

## 1.2 Compliance with the WEEE Directive and Disposing of the Waste Product:

This product complies with EU WEEE Directive (2012/19/EU). This product bears a classification symbol for waste electrical and electronic equipment (WEEE).



This symbol indicates that this product shall not be disposed with other household wastes at the end of its service life. Used device must be returned to official collection point for recycling of

electrical and electronic devices. To find these collection systems please contact to your local authorities or retailer where the product was purchased. Each household performs important role in recovering and recycling of old appliance. Appropriate disposal of used appliance helps prevent potential negative consequences for the environment and human health.

## 1.3 Compliance with RoHS Directive

The product you have purchased complies with EU RoHS Directive (2011/65/EU). It does not contain harmful and prohibited materials specified in the Directive.

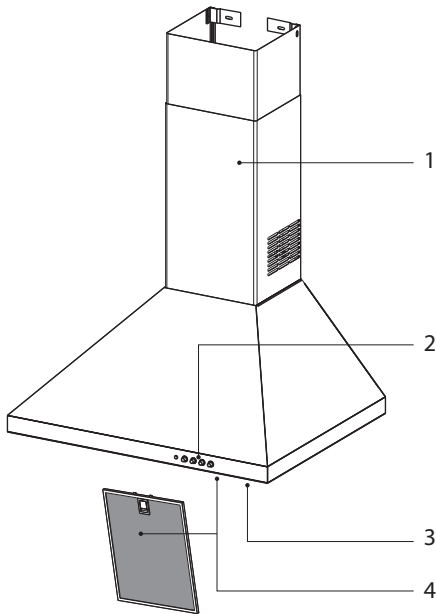
## 1.4 Package Information



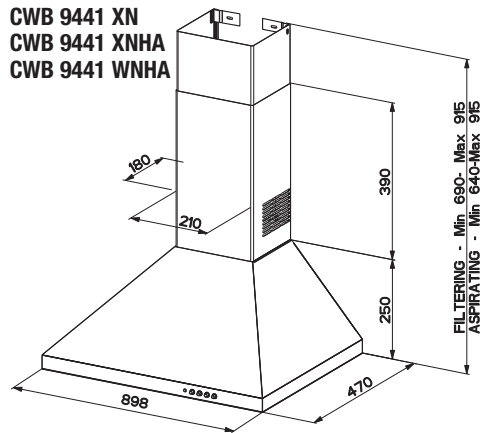
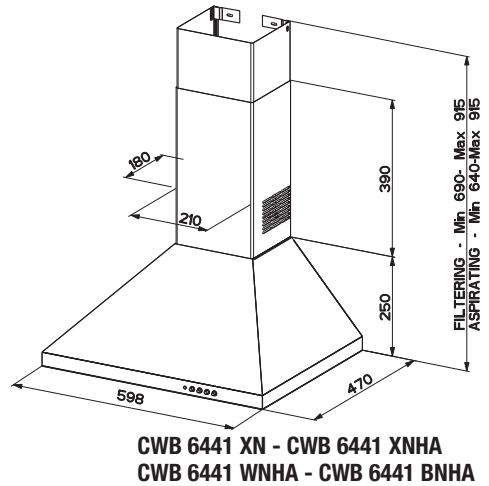
Packaging materials of the product are manufactured from recyclable materials in accordance with our National Environment Regulations. Do not dispose of the packaging materials together with the domestic or other wastes. Take them to the packaging material collection points designated by the local authorities.

## 2 General appearance

### 2.1 Overview



1. Chimney
2. Control panel
3. Lighting
4. Grease Filters



### 2.2 Technical Data

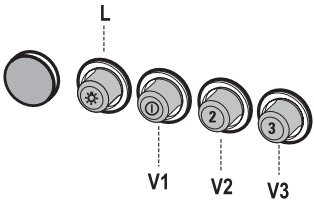
Model	CWB 6441 XN - CWB 6441 XNHA CWB 6441 WNHA - CWB 6441 BNHA	CWB 9441 XN - CWB 9441 XNHA CWB 9441 WNHA
Supply voltage and frequency	220-240V ~ 50 Hz	
Lamp power	2x4 W	
Motor power	125 W	
Air flow – 3. Level	400 m <sup>3</sup> /h	
Motor insulation class	Class F	
Insulation class	Class II	




## 3 Using the appliance

### 3.1 Controlling the Appliance

The hood is equipped with a mechanical control.



<b>L</b>	Press the "L"  to turn on the lights. Repeat pressing the button to turn off the lighting.
<b>V1</b>	Pressing the "V1" - to turn the hood with a minimum speed.
<b>V2</b>	Pressing the "V2" - turns the hood with an average speed.
<b>V3</b>	Pressing the "V3" - turns the hood at maximum speed. Higher speed means more air flow.


### 3.2 Efficient use in terms of energy saving

- When using your appliance, adjust the speed settings according to vapour and odour intensity, in order to save energy.
- Use low speeds (1-2) under normal conditions, and high speed (3) and boost mode for intense odour and vapour.
- The hood is equipped with lamps in order to illuminate the cooking area.
- Using them for environmental lighting shall cause unnecessary energy expenditure and insufficient lighting.
- For your device to consume less energy, run it at a low speed level.
- Your device will reduce energy consumption as it will run more efficiently when you provide sufficient air intake to it.
- Set your device to the intense suction power level before the formation of steam, in cases where you know that the dense steam will occur.

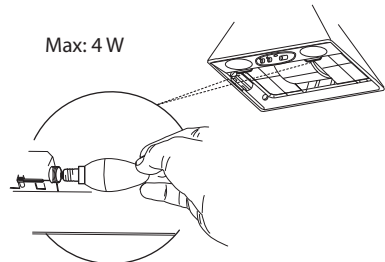
So, you reduce energy consumption by using your device for a shorter time as it will have a sufficient air intake.


- Keep the lids of the cookware closed to reduce the steam evolving.

### 3.3 Operating the Hood

- Hood is equipped with a motor having various speed settings.
- For a better performance, we advise you to use low speeds in normal conditions, and high speeds when smell and vapors are intensified.
- You can start the hood by pressing the desired speed level key.(V1,V2,V3 )
- You can illuminate the cooking area by pressing the light key L (  )

### 3.4 Lamp Replacement



<b>Lamp</b>	
<b>Bulb power</b>	4 W
<b>Holder/Socket</b>	E14
<b>Bulb voltage</b>	220 - 240 V
<b>ILCOS Code</b>	DRBB/F - 4 - 2 2 0 - 240-E14-35/100
<b>Size</b>	35x100 mm
<b>Luminous flux</b>	400 lm
<b>Correlated colour temperature</b>	3000 K

## 3 Using the appliance

This product contains a light source of energy efficiency class "F".

Disconnect the hood from the mains supply. This appliance is equipped with 4 W spot LED lamps.

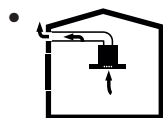


- Before replacing the light bulbs, disconnect the power supply of the hood.
- Do not touch the light bulbs when they are hot.
- Be careful not to touch the replaced light bulb directly with hands.



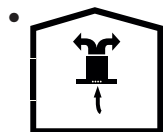
You may procure lamps from Authorised Service Agents.

### 3.5 Operation with flue connection



- Vapour is extracted through the flue duct, which is fastened to the connection head on the hood.
- The diameter of the flue duct must be the same as the connection ring. In horizontal settings, the pipe has to have a slight upward slope (around 10°) so that the air can exit the room easily.

### 3.6 Operation without flue connection



- Air is filtered through the carbon filter and recirculated in the room. Carbon filter is used when it is impossible to use a flue in the house.
- In flueless use, remove the flaps inside the flue adapter.
- Remove the oil filter. To install the carbon filter, fit the filter to the tabs by centring it on the plastic piece on both sides of the fan body. Tighten it by turning right or left.
- Replace aluminium oil filter.

## 4 Cleaning and maintenance

The device should be cleaned and maintained regularly. Failure to keep the device clean will adversely affect the service life of the device. For cleaning and maintenance, follow the instructions stated in the manual.



Before cleaning and maintenance, unplug the product or turn off the switch.

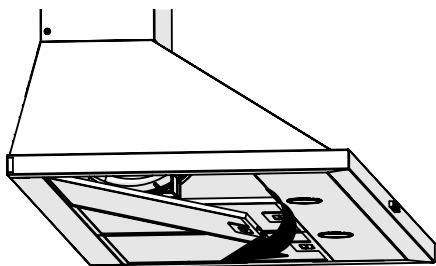


Non-compliance with the provisions associated with the cleaning of the device and replacement of the filters may result in a risk of fire. Therefore, it is recommended to follow the guidelines stated here. The manufacturer is not responsible for the engine damages or fires originating from the improper use.

Clean the hood using a damp cloth and a neutral liquid detergent.

### 4.1 Cleaning of the grease filter

Grease filter retains the oil particles in the air. Grease filters may change colour after repeated cleaning. This is normal and does not require replacement of filters.



- Push the grease filter lock forward.
- Then pull it slightly down and pull it out. Otherwise, you can bend the filter. Wash and rinse grease filters with liquid detergent and replace grease filters to their sockets by carrying out the steps specified above in reverse order. This

filter retains the oil particles in the air.



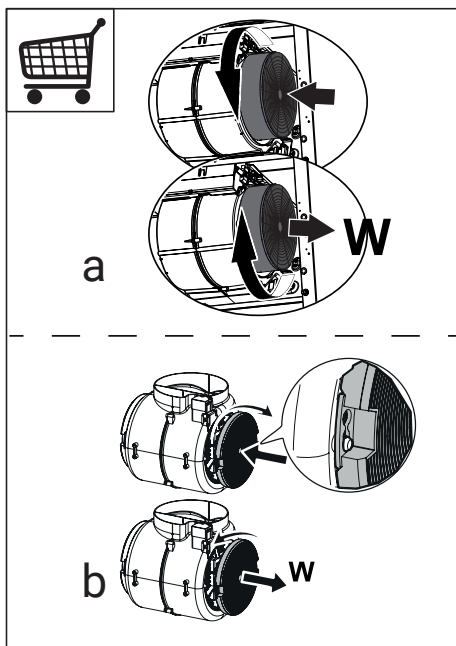
You may wash your grease filters in the dishwasher.



**CAUTION:** In case of normal use, clean your filter once in a month.

### 4.2 Replacement of carbon filters

Odour removing filters contain charcoal (Active carbon). Grease filters must be installed in the product, regardless of whether or not carbon filters are used.



- Remove the grease filter.
- To remove the carbon filter, remove the carbon filter from its housing by rotating it counter-clockwise from the tab.
- Install the new carbon filter.
- Install the grease filter.

## 4 Cleaning and maintenance



### CAUTION

- Carbon filter shall never be washed.
- Replace carbon filters once every 3 months.
- You can obtain the carbon filter from the authorized services.

## 5 Installation of appliance



**WARNING:** Before starting the installation, read the safety information on user manual.



**WARNING:** Failure to install with screws and stabilizers in accordance with these instructions may result in electric shock.



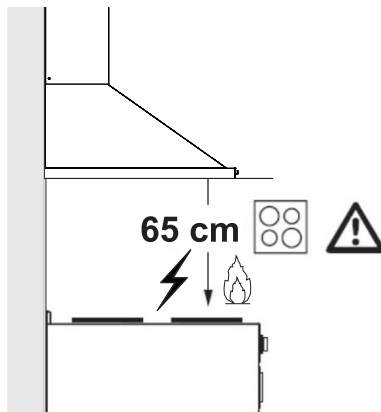
Please refer to page 26 for the installation guide

For the installation of the hood, please contact the nearest Authorized Service.

It is the customer's responsibility to prepare the location and electrical installation of the hood.

### 5.1 Position of the appliance

- Distance between the cooker and the cooker hood must be considered prior to assembly. This distance should be 65 cm.
- Distance must be measured from the surface of grate for gas cookers, from surface of glass for electric cookers.



### 5.2 Wall mounting

- Wall must be flat, straight and have the sufficient bearing capacity.
- Depth of drilling holes must comply with the length of bolts.
- The bolts and dowels provided are suitable for brick walls. For other construction material (e.g. drywall, plate, porous concrete), suitable fixing dowels and nuts shall be used.

### 5.3 Storage

- If you do not intend to use the appliance for a long time, please store it carefully.
- Please make sure that the appliance is unplugged, cooled down and totally dry.

## 5 Installation of appliance

- Store the appliance in a cool and dry place.
- Keep the appliance out of the reach of children

### 5.4 Handling and transportation

- During handling and transportation, carry the appliance in its original packaging. The packaging of the appliance protects it against physical damages.
- Do not place heavy loads on the appliance or the packaging. The appliance may be damaged.
- Dropping the appliance will render it non-operational or cause permanent damage.

## 6 Troubleshooting

Troubleshooting	Root Cause	Help
Appliance is not working.	Check your fuses.	Fuse may be blown, inspect and restore it.
Appliance is not working.	Check the electrical connection.	Mains voltage shall be between 220 and 240 V.
Appliance is not working.	Check the electrical connection.	Check if other appliance in your kitchen operate.
Illumination light does not operate.	Check the electrical connection.	Mains voltage shall be between 220 and 240 V.
Illumination light does not operate.	Inspect the lamp switch.	Lamp switch shall be at "on" position.
Illumination light does not operate.	Inspect the lamps.	The lamps of the appliance shall illuminate.
Air inlet of the appliance is inadequate.	Inspect the grease filter.	Under normal operating conditions, grease filter shall be cleaned at least once in a month.
Air inlet of the appliance is inadequate.	Check the air discharge flue.	The air discharge flue shall be at "on" position.
Air inlet of the appliance is inadequate.	Inspect the carbon filter.	The filters of the appliances with carbon filters shall be replaced once in every 3 months under normal conditions.

# Avant toute chose, veuillez lire ce manuel d'utilisation !

Chère cliente, cher client,

Merci d'avoir choisi cet appareil Beko. Nous espérons que cet appareil, fabriqué dans des installations modernes et soumis à un processus de contrôle qualité rigoureux, vous offre les meilleures performances possible. C'est pourquoi nous vous recommandons, avant d'utiliser l'appareil, de lire attentivement et complètement ce manuel d'utilisation ainsi que tous les autres documents fournis et de les conserver soigneusement pour une utilisation future. Si vous cédez l'appareil à quelqu'un d'autre, remettez-lui également le manuel d'utilisation. Suivez les instructions en accordant une attention particulière à toutes les informations et les avertissements contenus dans le manuel d'utilisation.

Notez que ce manuel d'utilisation peut également s'appliquer à d'autres modèles. Les différences entre les modèles sont clairement décrites dans le manuel.

## Signification des symboles

Les pictogrammes suivants sont repris tout au long de ce manuel :

 Informations importantes et conseils utiles concernant l'utilisation de l'appareil.

 **AVERTISSEMENT:** Avertissement sur les situations dangereuses concernant la sécurité des biens et des personnes.

 **AVERTISSEMENT:** Avertissement contre le risque d'incendie.

 **AVERTISSEMENT:** Avertissement contre le risque d'électrocution.



Points de collecte sur [www.quefairedemesdechets.fr](http://www.quefairedemesdechets.fr)  
Privilégiez la réparation ou le don de votre appareil !

# 1 Instructions importantes en matière de sécurité et d'environnement

## 1.1 Consignes générales de sécurité

Consignes de sécurité importantes - Lire attentivement et conserver pour référence ultérieure. Cette section contient les consignes de sécurité qui aident à se prémunir contre les risques d'incendie, d'électrocution, d'exposition aux fuites d'énergie à micro-ondes, de dommages corporels ou de dégâts matériels. Le non-respect de ces instructions entraînera l'annulation de toute garantie.

- Les produits Beko sont conformes aux normes de sécurité applicables. Par conséquent, en cas de dommage sur l'appareil ou son câble d'alimentation, le faire réparer ou remplacer par le revendeur, le centre SAV, un spécialiste ou des services habilités afin de prévenir tout danger. Des réparations défectueuses et non professionnelles peuvent être sources de danger et de risque pour l'utilisateur.
- Cet appareil est conçu pour un usage domestique et des utilisations similaires comme :
  - dans les coins cuisine du personnel dans les magasins, bureaux, et autres environnements de travail ;
  - les fermes
  - Par les clients des hôtels et autres types d'environnements résidentiels ;
  - et dans les chambres d'hôte.
- Utiliser l'appareil uniquement aux fins pour lesquelles il a été conçu, comme décrit dans les présentes instructions.
- Le fabricant n'est pas responsable des dommages résultant d'une mauvaise installation ou d'une mauvaise utilisation du produit.
- Cet appareil peut être utilisé par des enfants de 8 ans minimum, des personnes à capacités physiques, sensorielles ou mentales réduites et des personnes manquant d'expérience ou de connaissances suffisantes en la matière, à condition qu'elles

# 1 Instructions importantes en matière de sécurité et d'environnement

aient été préparées à un maniement sécurisé de l'appareil et qu'elles aient pleinement conscience des risques encourus.

- Les enfants n'ont pas le droit de jouer avec l'appareil. Le nettoyage et l'entretien de l'appareil ne doivent pas être effectués par des enfants laissés sans surveillance.
- La distance minimale entre la surface d'appui des récipients de cuisson sur la plaque de cuisson et la partie la plus basse de votre produit doit être d'au moins 65 cm.
- Si des instructions relatives à l'installation de la plaque à gaz exigent plus de distance, prenez-les en compte.
- S'assurer que la source d'alimentation électrique est conforme aux informations spécifiées sur la plaque signalétique de l'appareil.
- Ne jamais utiliser l'appareil si le câble d'alimentation ou l'appareil lui-même est endommagé.

- Pour éviter d'endommager le câble d'alimentation, éviter de l'aplatir, de le plier ou même de le frotter contre des bords coupants. Éloigner le câble d'alimentation de toute surface brûlante et des flammes.
- Utilisez l'appareil uniquement avec une prise de terre.

**AVERTISSEMENT:** Ne branchez pas l'appareil sur le secteur avant la fin de l'installation.

- Placer l'appareil de sorte que la prise soit toujours accessible.
- Ne touchez pas les lampes si elles ont été utilisées pendant une longue période. Elles sont chaudes et risqueraient donc de provoquer des brûlures aux mains.
- Respectez la réglementation des autorités compétentes en matière d'évacuation de l'air évacué (cette mise en garde ne s'applique pas à l'utilisation sans conduit).
- Faites fonctionner votre appareil après avoir posé une casserole, une poêle, etc. sur la



# 1 Instructions importantes en matière de sécurité et d'environnement

plaque de cuisson. Autrement, la température élevée peut provoquer la déformation de certaines pièces de votre produit.

- Éteignez la plaque de cuisson avant d'en retirer la casserole, la poêle, etc.
- Ne laissez pas d'huile chaude sur la plaque de cuisson. Les casseroles contenant de l'huile chaude peuvent s'enflammer.
- Faites attention à vos rideaux et à vos couvertures, car l'huile peut prendre feu pendant la cuisson de certains aliments, comme les frites.
- Le filtre à graisse doit être remplacé au moins une fois par mois. Le filtre à charbon doit être remplacé au moins tous les 3 mois.
- Le produit doit être nettoyé conformément au manuel d'utilisation. Si le nettoyage n'a pas été effectué conformément au manuel d'utilisation, il peut y avoir un risque d'incendie.
- N'utilisez pas de matériaux filtrants ignifuges à la place des

filtres actuels.

- Utilisez uniquement des pièces d'origine ou pièces recommandées par le fabricant.
- N'utilisez jamais l'appareil sans le filtre et ne retirez pas les filtres lorsque l'appareil est en marche.
- En cas d'apparition d'une flamme, éteignez votre produit et vos appareils de cuisson.
- En cas d'apparition d'une flamme, couvrez la flamme et n'utilisez jamais d'eau pour l'éteindre.
- Débranchez l'appareil avant chaque nettoyage et lorsque l'appareil n'est pas en cours d'utilisation.
- La pression négative dans l'environnement ne doit pas dépasser 4 Pa (4 x 10 bars) lorsque la hotte de la table de cuisson électrique et les appareils fonctionnant avec un autre type d'énergie que l'électricité fonctionnent simultanément.
- Dans l'environnement dans lequel l'appareil est utilisé, les gaz résiduels des appareils fonc-

# 1 Instructions importantes en matière de sécurité et d'environnement

tionnant au fioul ou au gaz, tels que le chauffage de la pièce, doivent être totalement isolés ou l'appareil doit être de type étanche.

- Pour le raccordement du conduit, utilisez des tuyaux d'un diamètre de 120 ou 150 mm. Le raccordement du tuyau doit être aussi court que possible et avoir le minimum de coudes que possible.
- Risque d'étranglement ! Conservez tous les emballages hors de portée des enfants.

**ATTENTION:** Les pièces accessibles peuvent devenir chaudes lorsqu'elles sont utilisées avec des appareils de cuisson.

- Ne connectez pas la prise du produit aux canaux d'air qui contiennent d'autres fumées.
- La ventilation de la pièce peut être insuffisante lorsque la hotte de la table de cuisson électrique est utilisée en même temps que les appareils fonctionnant au gaz ou avec d'autres combustibles (ceci peut ne pas s'appliquer aux appareils qui rejettent unique-

ment l'air dans la pièce).

- Les objets placés sur le produit peuvent tomber. Ne posez aucun objet sur le produit.

- Ne brûlez rien sous votre produit.

**AVERTISSEMENT:** Retirez les films protecteurs avant d'installer la hotte.

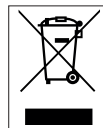
- Ne laissez jamais des grandes flammes nues sous la hotte lorsqu'elle est en fonctionnement.

- Gardez les friteuses en permanence sous surveillance pendant l'utilisation : de l'huile surchauffée peut prendre feu.

- Les pièces détachées d'origine sont disponibles pendant 12 ans, à compter de la date d'achat du produit.

## 1.2 Conformité avec la Directive DEEE et Mise au rebut des appareils usagés :

Cet appareil est conforme à la directive DEEE. (2012/19/JE). Cet appareil porte le symbole de classification pour les déchets des équipements électriques et électroniques (DEEE).



Ce symbole indique que ce produit ne doit pas être jeté avec les déchets ménagers à la fin de sa vie utile. Les appareils usagés doivent être retournés au point de collecte officiel

# 1 Instructions importantes en matière de sécurité et d'environnement

pour le recyclage des appareils électriques et électroniques. Pour trouver ces systèmes de collecte, veuillez contacter les autorités locales ou le détaillant auprès duquel vous avez acheté le produit. Chaque ménage joue un rôle important dans la récupération et le recyclage des appareils ménagers usagés. L'élimination appropriée des appareils usagés aide à prévenir les conséquences négatives potentielles pour l'environnement et la santé humaine.

## 1.3 Conformité avec la directive RoHS

L'appareil que vous avez acheté est conforme à la Directive RoHS de l'UE (2011/65/UE). Il ne contient pas de matières dangereuses et interdites spécifiées dans la directive.

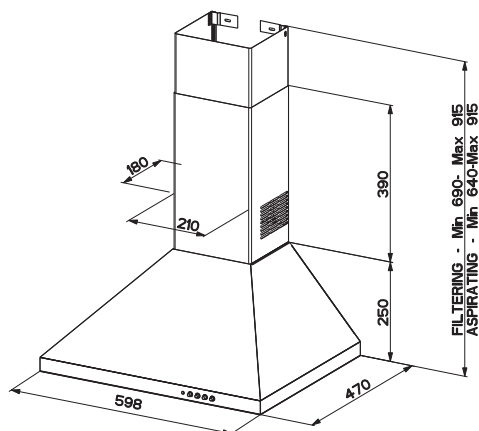
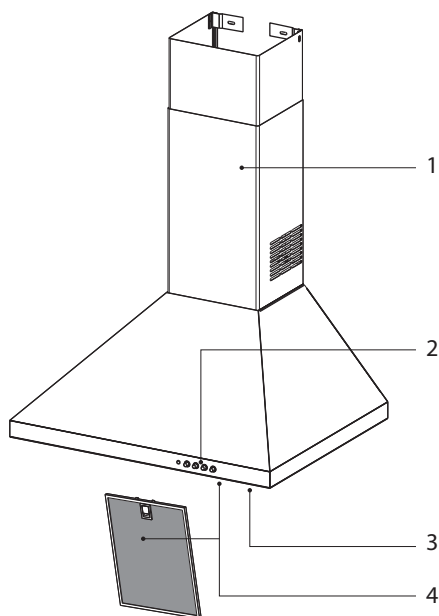
## 1.4 Informations concernant l'emballage



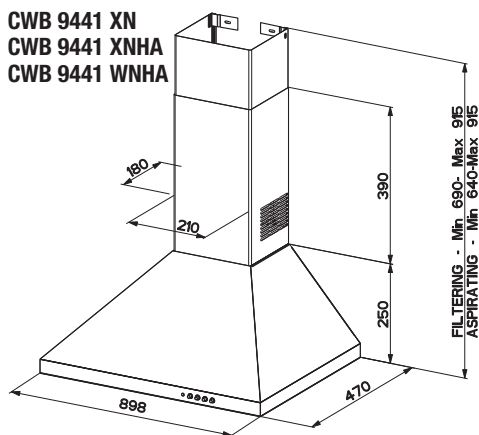
Les matériaux d'emballage du produit sont fabriqués à partir de matériaux recyclables conformément à notre réglementation nationale sur la protection de l'environnement. Ne jetez pas les matériaux d'emballage avec les déchets domestiques et autres déchets. Déposez-les dans l'un des points de collecte de matériaux d'emballage prévus par l'autorité locale.

## 2 Apparence générale

### 2.1 Vue d'ensemble



CWB 6441 XN - CWB 6441 XNHA  
CWB 6441 WNHA - CWB 6441 BNHA



CWB 9441 XN  
CWB 9441 XNHA  
CWB 9441 WNHA

### Commandes et pièces

1. Cheminée
2. Panneau de commande
3. Éclairage
4. Filtres à graisse en aluminium

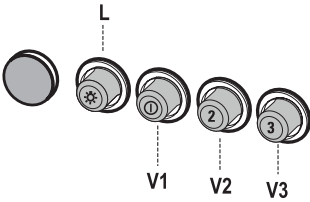
### 2.2 Données techniques


Modèle	CWB 6441 XN - CWB 6441 XNHA CWB 6441 WNHA - CWB 6441 BNHA	CWB 9441 XN - CWB 9441 XNHA CWB 9441 WNHA
Tension et fréquence d'alimentation	220-240 V~ 50 Hz	
Puissance de la lampe	2 x 4 W	
Puissance du moteur	125 W	
Débit d'air - 3. Niveau	400 m <sup>3</sup> / h	
Classe d'isolation du moteur	Classe F	
Classe d'isolation	Classe II	

## 3 Fonctionnement de l'appareil

### 3.1 Contrôle de l'appareil

La hotte est équipée d'une commande mécanique.




L	Appuyez sur le bouton « L »  pour allumer les lumières. Répétez la pression sur le bouton pour éteindre l'éclairage.
V1	Appuyer sur le bouton « V1 » - pour faire tourner la hotte avec une vitesse minimale.
V2	Appuyer sur le bouton « V2 » - fait tourner la hotte avec une vitesse moyenne.
V3	Appuyer sur le bouton « V3 » - fait tourner la hotte à la vitesse maximale. Une vitesse plus élevée signifie plus de débit d'air.

### 3.2 Fonctionnement efficace en termes d'économies d'énergie Utilisation

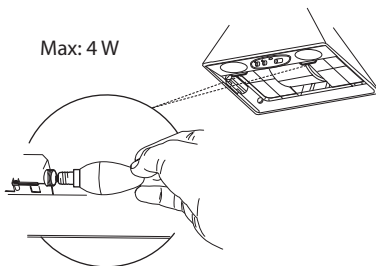
- Lorsque vous utilisez votre appareil, réglez la vitesse en fonction de l'intensité de la vapeur et de l'odeur afin d'économiser de l'énergie.
- Utilisez les vitesses basses (1-2) dans des conditions normales, et les vitesses élevées (3) pour les odeurs et vapeurs intenses.
- Les lampes situées sur la hotte sont destinées à l'éclairage de la zone de cuisson.
- L'utilisation de ces lampes pour l'éclairage de la pièce entraîne une consommation d'énergie inutile et un éclairage insuffisant.
- Pour que votre appareil consomme moins d'énergie, faites-le fonctionner à basse vitesse.
- Votre appareil réduit la consommation d'énergie et fonctionne plus efficacement lorsque vous l'alimentez suffisamment en air.

- Configurez votre appareil pour un niveau de puissance d'aspiration intense avant la formation de la vapeur, dans le cas où vous prévoyez la production d'une vapeur dense. Vous réduisez donc la consommation d'énergie de votre appareil en l'utilisant pendant une durée plus courte, puisqu'il est suffisamment alimenté en air.
- Configurez votre appareil pour un niveau de puissance d'aspiration intense avant la formation de la vapeur, dans le cas où vous prévoyez la production d'une vapeur dense. Vous réduisez donc la consommation d'énergie de votre appareil en l'utilisant pendant une durée plus courte, puisqu'il est suffisamment alimenté en air.


### 3.3 Fonctionnement de la hotte

- La hotte est équipée d'un moteur avec différents réglages de vitesse.
- Pour une meilleure performance, nous vous conseillons d'utiliser des vitesses basses dans des conditions normales et des vitesses élevées lorsque les odeurs et les vapeurs sont intenses.
- Vous pouvez démarrer la hotte en appuyant sur la touche du niveau de vitesse souhaité (V1, V2, V3).
- Vous pouvez éclairer la zone de cuisson en appuyant sur la touche d'éclairage L (  )

### 3.4 Remplacement de la lampe



## 3 Fonctionnement de l'appareil

<b>Ampoule</b>	
<b>Puissance de l'ampoule</b>	4 W
<b>Support / Prise</b>	E14
<b>Voltage de l'ampoule</b>	220 - 240 V
<b>Taille</b>	DRBB/F - 4 - 220 - 240-E14-35/100
<b>Code ILCOS</b>	35x100 mm
<b>Flux lumineux</b>	400 lm
<b>Température de couleur corrélée</b>	3000 K

Ce produit contient une source lumineuse de classe d'efficacité énergétique "F".

Débranchez la hotte de l'alimentation secteur. Cet appareil est équipé de lampes LED spot de 4 W.

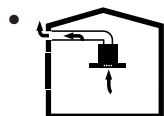


- Avant de remplacer les ampoules, débranchez l'alimentation électrique de la hotte.
- Ne touchez pas les ampoules lorsqu'elles sont chaudes.
- Veillez à ne pas toucher l'ampoule remplacée directement avec les mains.



Vous pouvez vous procurer des lampes auprès d'agents de service agréés.

### 3.5 Opération avec raccordement au conduit de fumée

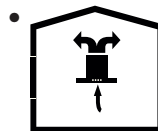


La vapeur est extraite par le conduit de fumée, qui est fixé à la tête de raccordement sur la hotte.

- Le diamètre du conduit de fumées doit être le même que celui de la bague de raccordement. En position horizontale, le tuyau doit avoir une légère pente ascendante (environ 10°) afin que

l'air puisse sortir facilement de la pièce.

### 3.6 Fonctionnement sans raccordement au réseau d'évacuation des fumées



L'air est filtré par le filtre à charbon et recirculé dans la pièce. Le filtre à charbon est utilisé lorsqu'il est impossible d'utiliser un conduit de fumée dans la

maison.

- En cas d'utilisation sans conduit, retirez les rabats à l'intérieur de l'adaptateur de conduit.
- Retirez le filtre à huile. Pour installer le filtre à charbon, fixez le filtre sur les languettes en le centrant sur la pièce en plastique des deux côtés du corps du ventilateur. Resserrez-le en tournant à droite ou à gauche.
- Remplacez le filtre à huile en aluminium.

## 4 Nettoyage et entretien

Cet appareil doit être régulièrement nettoyé et entretenu. S'il n'est pas nettoyé, sa durée de vie utile peut être compromise. Pour le nettoyage et l'entretien, suivez les instructions contenues dans le manuel.



Avant de procéder au nettoyage et à l'entretien, débranchez le produit ou éteignez l'interrupteur.

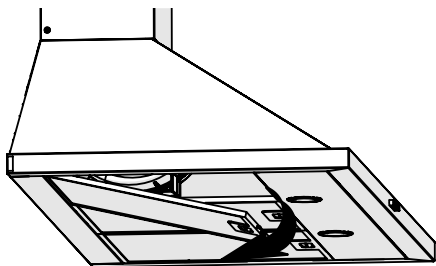


Le non-respect des consignes de nettoyage de cet appareil et de remplacement de ses filtres vous expose à un risque d'incendie. Il est donc recommandé de respecter les consignes de ce manuel. Le fabricant décline toute responsabilité en cas de dommages au moteur ou d'incendie résultant d'une utilisation inappropriée de l'appareil.

Nettoyez la hotte à l'aide d'un chiffon humide et d'un détergent liquide neutre.

### 4.1 Nettoyage du filtre à huile en aluminium

Ce filtre retient les particules d'huile dans l'air. Les filtres à huile en aluminium peuvent changer de couleur au fur et à mesure qu'ils sont lavés ; c'est normal et cela ne nécessite pas le remplacement de vos filtres à huile en aluminium.



- Poussez le verrou du filtre à huile en aluminium vers l'avant.

- Puis tirez-le légèrement vers le bas et retirez-le. Sinon, vous pouvez plier le filtre. Lavez et rincez les filtres à huile en aluminium avec un détergent liquide et remplacez les filtres à huile en aluminium par leurs douilles en effectuant les étapes indiquées ci-dessus dans l'ordre inverse. Ce filtre retient les particules d'huile dans l'air.



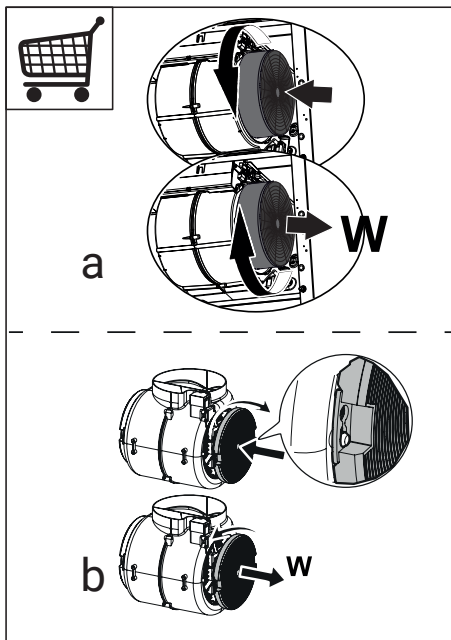
Vous pouvez laver vos filtres à huile en aluminium dans le lave-vaisselle.



**ATTENTION:** En cas d'utilisation normale, nettoyez votre filtre une fois par mois.

### 4.2 Remplacement des filtres à carbone

Les filtres désodorisants contiennent du charbon de bois (charbon actif). Des filtres à graisse doivent être installés dans le produit, que des filtres à charbon soient utilisés ou non.



## 4 Nettoyage et entretien

- Retirez le filtre à huile en aluminium.
- Pour retirer le filtre à charbon, retirez le filtre à charbon de son logement en le faisant tourner dans le sens inverse des aiguilles d'une montre à partir de la languette.
- Installez le nouveau filtre à charbon.
- Installez le filtre à huile en aluminium.

### ATTENTION



- Le filtre à charbon ne doit jamais être lavé.
- Remplacez les filtres à charbon une fois tous les trois mois.
- Vous pouvez obtenir un filtre à charbon actif auprès des services autorisés.

## 5 Installation de l'appareil



**ATTENTION:** Avant de commencer l'installation, lisez les informations de sécurité figurant dans le manuel d'utilisation.



**ATTENTION:** Si l'installation n'est pas effectuée avec des vis et des stabilisateurs conformément à ces instructions, elle peut entraîner un choc électrique.

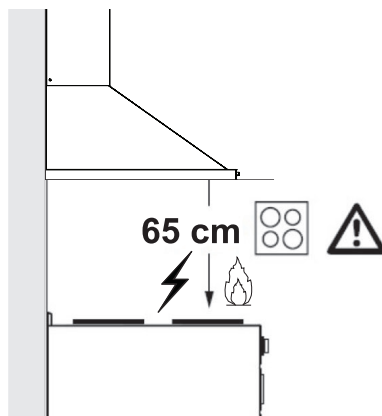


Veillez vous référer à la page 26 pour le guide d'installation

Pour l'installation de la hotte, veuillez contacter le Service Autorisé le plus proche.

Il est de la responsabilité du client de préparer l'emplacement et l'installation électrique de la hotte.

### 5.1 Position de l'appareil



- La distance entre le cuiseur et la hotte doit être prise en compte avant le montage. Cette distance doit être de 65 cm.
- La distance doit être mesurée à partir de la surface de la grille pour les cuisinières à gaz, à partir de la surface du verre pour les cuisinières électriques.

### 5.2 Montage mural

- Le mur doit être plat, droit et avoir une capacité de charge suffisante.
- La profondeur des trous percés doit correspondre à la longueur des boulons.



## 5 Installation de l'appareil

- Les boulons et chevilles fournis conviennent aux murs en briques. Pour les autres matériaux de construction (par ex. cloisons sèches, plaques, béton poreux), des chevilles et écrous de fixation appropriés doivent être utilisés.
- Conservez l'appareil dans un endroit frais et sec.
- Tenez l'appareil hors de la portée des enfants.

### 5.3 Rangement

- Si vous ne comptez pas utiliser votre appareil pendant un certain temps, veuillez le ranger soigneusement.
- Veuillez également à ce que l'appareil soit débranché, complètement refroidi et entièrement sec.
- Pendant la manipulation et le transport, portez toujours l'appareil dans son emballage d'origine. L'emballage de l'appareil le protège des dommages physiques.
- Ne placez pas de charges lourdes sur l'appareil ou sur l'emballage. Cela pourrait l'endommager.
- Toute chute de l'appareil peut le rendre non opérationnel ou l'endommager de façon permanente.

### 5.4 Manipulation et transport

## 6 Dépannage

Dépannage	Problème	Solution
L'appareil ne fonctionne pas.	Vérifiez le fusible.	Il se peut que votre fusible soit coupé ; remettez-le en marche.
L'appareil ne fonctionne pas.	Vérifiez le branchement.	La tension du secteur doit être comprise entre 220 et 240 V.
L'appareil ne fonctionne pas.	Vérifiez le branchement.	Vérifiez si les autres appareils de votre cuisine fonctionnent ou pas.
L'ampoule ne fonctionne pas.	Vérifiez le branchement.	La tension du secteur doit être comprise entre 220 et 240 V.
L'ampoule ne fonctionne pas.	Vérifiez l'interrupteur de l'ampoule.	L'interrupteur de l'ampoule doit être en position « Allumé ».
L'ampoule ne fonctionne pas.	Vérifiez les ampoules.	Les ampoules de l'appareil ne doivent pas être défectueuses.
L'appareil n'aspire pas l'air correctement.	Vérifiez le filtre en aluminium.	L'aluminium du filtre doit être nettoyé au moins une fois par mois en conditions d'utilisation normales.
L'appareil n'aspire pas l'air correctement.	Vérifiez l'évent d'aération.	L'évent d'aération doit être en position « Marche ».
L'appareil n'aspire pas l'air correctement.	Vérifiez le filtre à charbon.	Pour les appareils dotés d'un filtre à charbon, celui-ci doit normalement être remplacé tous les 3 mois.



H1 = 2x



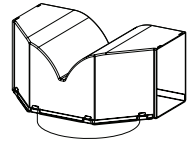
I = 8x



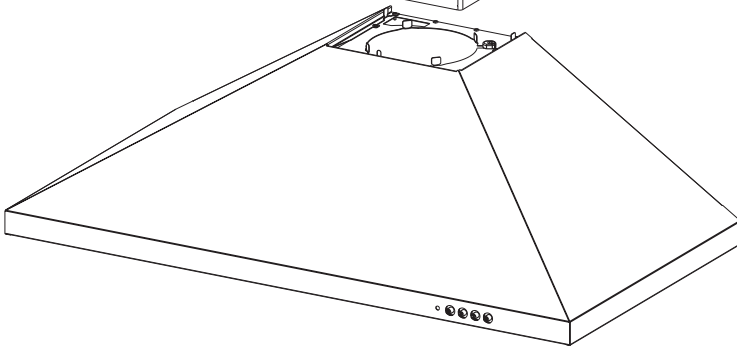
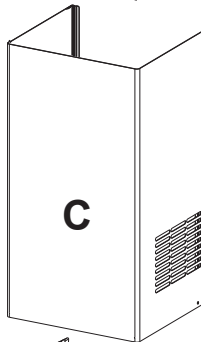
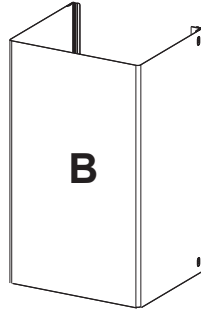
L = 8x

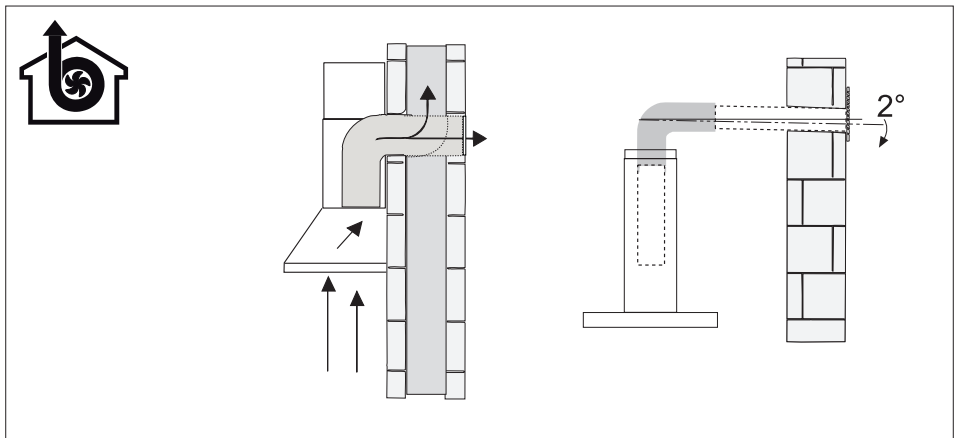
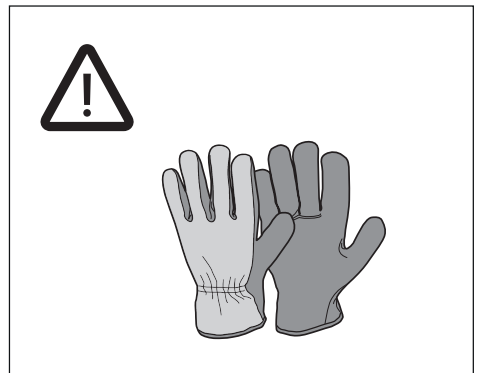
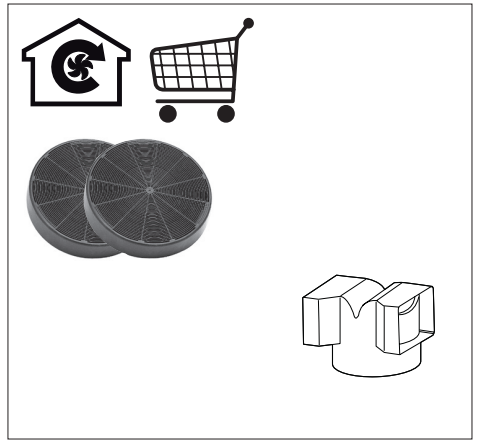
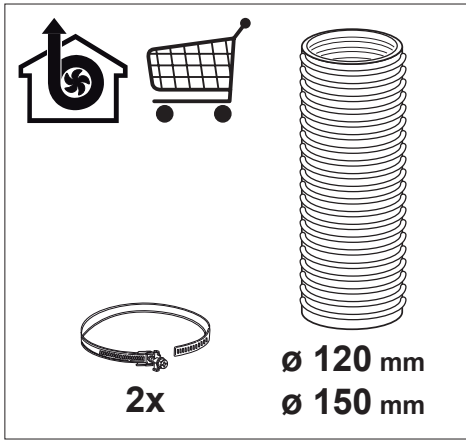


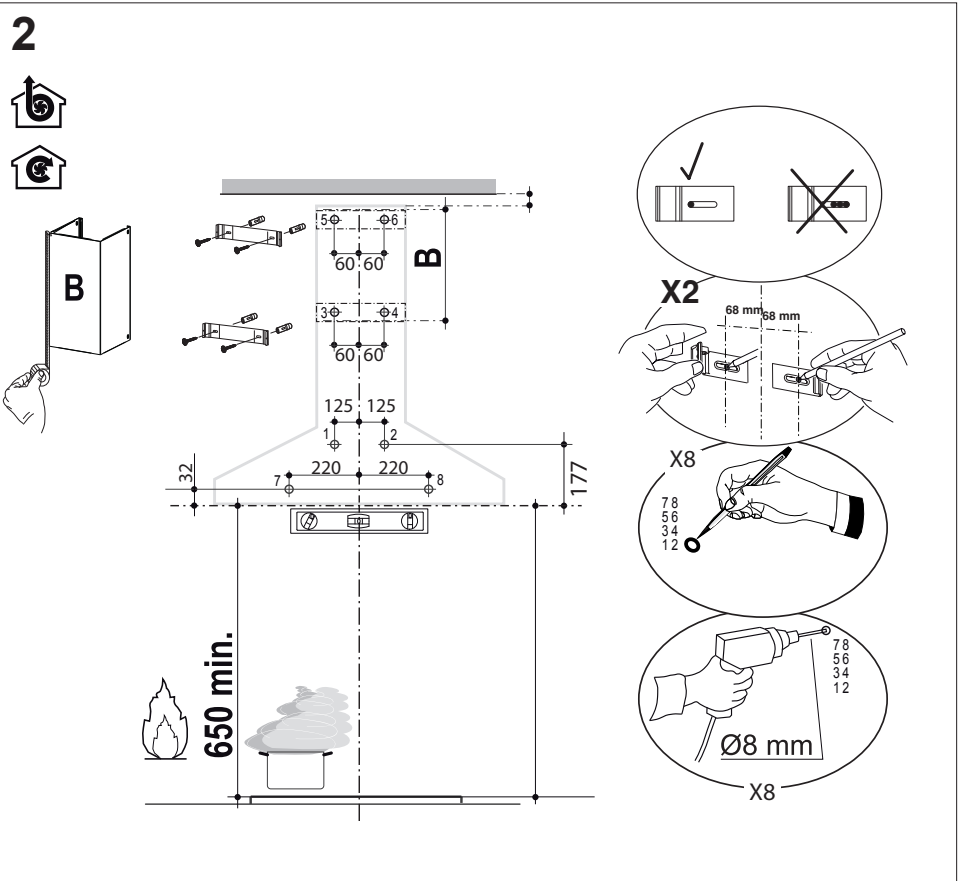
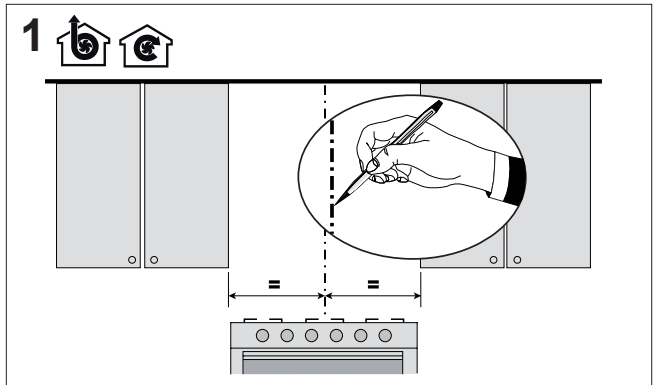
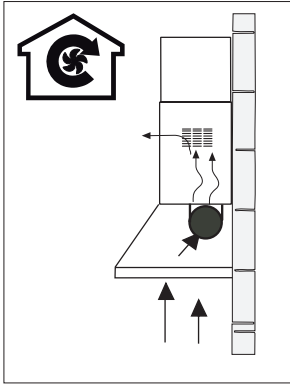
N = 4x

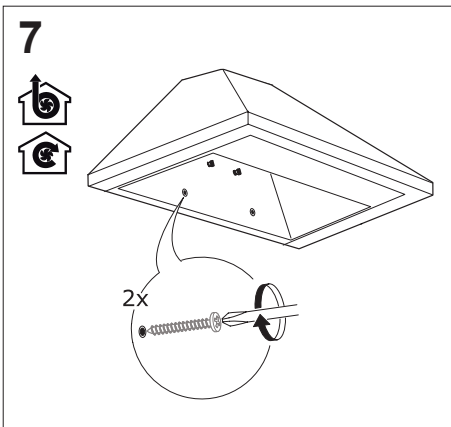
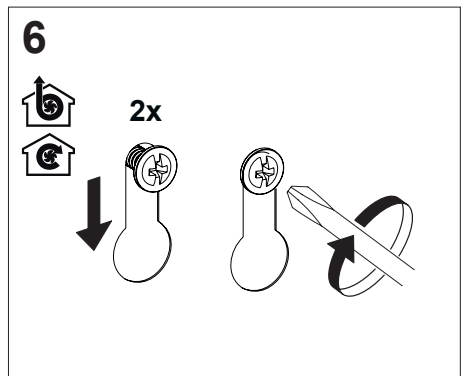
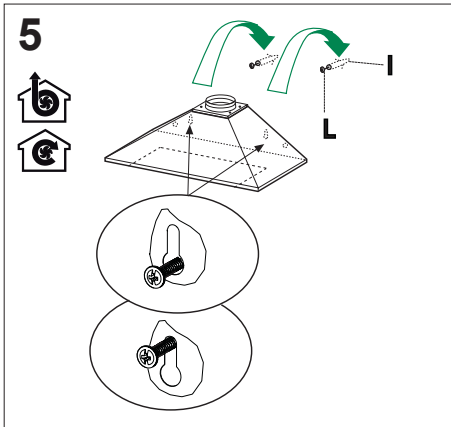
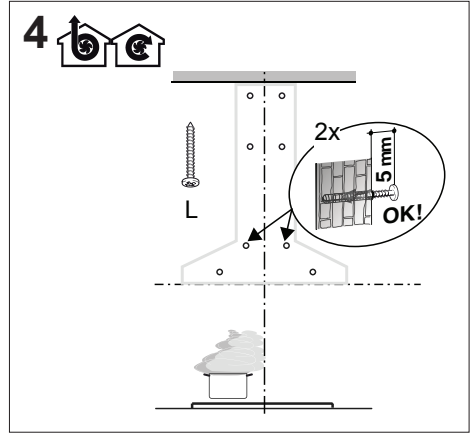
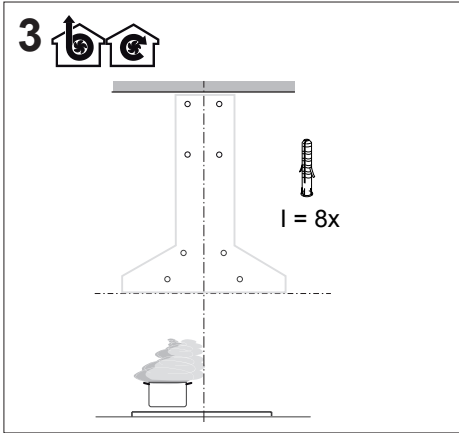


O

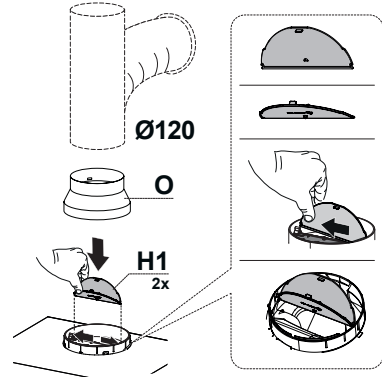
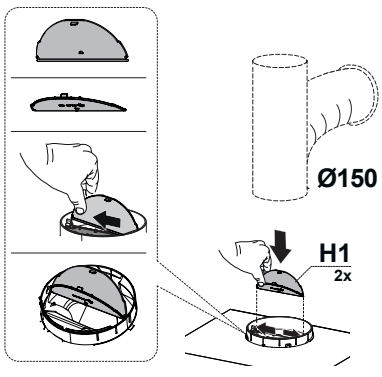




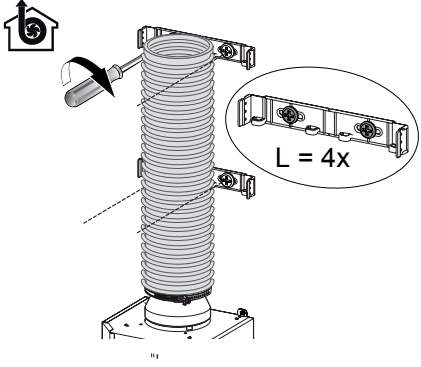




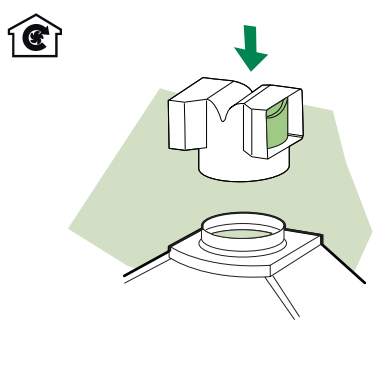
8



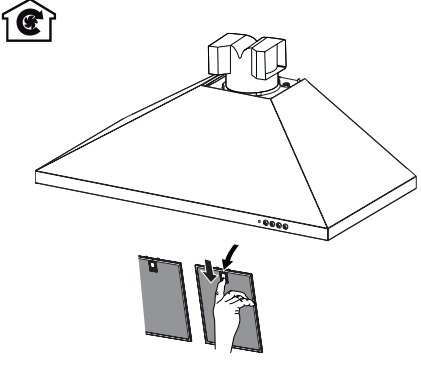
9



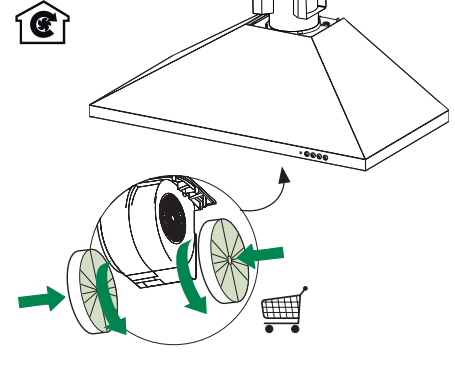
10

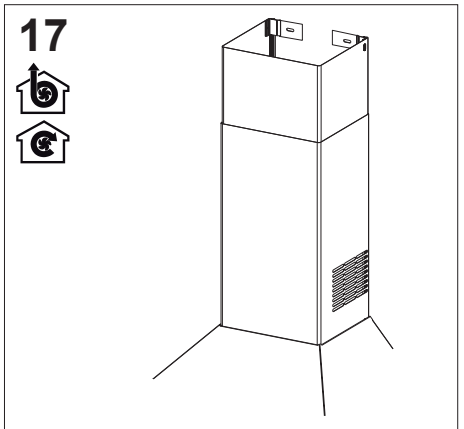
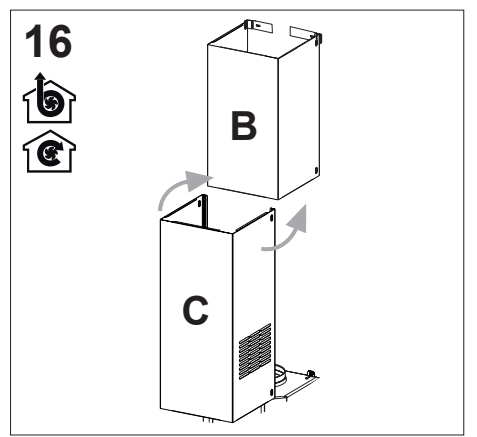
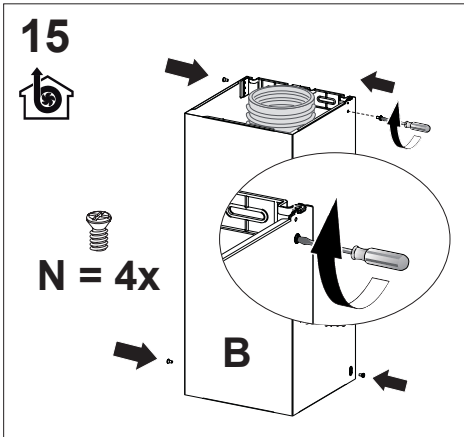
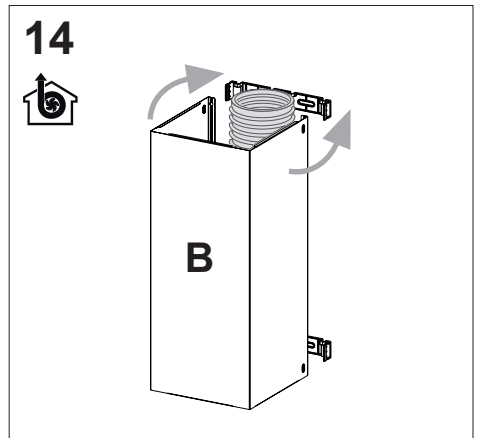
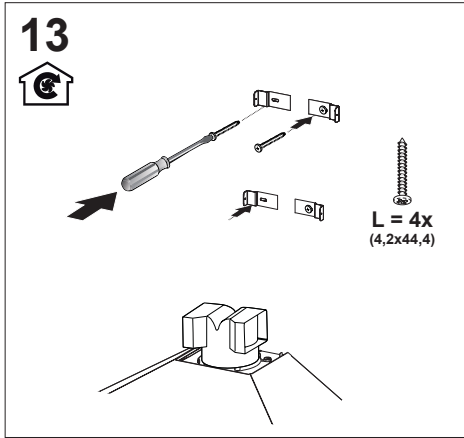


11



12









Arçelik A.Ş.  
Karaağaç Caddesi No: 2-6, 34445,  
Sütlüce, İstanbul, Türkiye

[www.beko.com](http://www.beko.com)

شرق رقم 02

(Volet à Conserver le vendeur (يحتفظ به البائع

شهادة الضمان

Certificat de Garantie

مدة الضمان (شهور): 24 : Période de garantie (Mois)

تعريف البائع والمشتري

Vendeur

البائع

Acheteur

المشتري

Nom & Prénom : ..... الأسم واللقب: .....

Adresse : ..... العنوان: .....

تعريف المنتج

Nature : ..... طبيعته: ..... 01-

Type : ..... نوع: ..... 02-

Marque : ..... علامة: ..... 03-

N° de série : ..... رقم التسلسل أو الخصية: ..... 04-

Prix facturé : ..... السعر الفوتور: ..... 05-

N° de facture : ..... رقم الفاتورة: ..... 06-

Date de la vente : ..... تاريخ البيع: ..... 07-

Garantie prend effet à partir du : ..... تاريخ سريان مفعول الضمان: ..... 08-

Cache et signature du vendeur : ..... الختم والإمضاء:

ملاحظة: في جميع الأحوال الضمان قانوني و مطبق

شرق رقم 01

(Volet à Conserver l'acheteur (يسلم للمستهلك

شهادة الضمان

Certificat de Garantie

مدة الضمان (شهور): 24 : Période de garantie (Mois)

تعريف البائع والمشتري

Vendeur

البائع

Acheteur

المشتري

Nom & Prénom : ..... الأسم واللقب: .....

Adresse : ..... العنوان: .....

تعريف المنتج

Nature : ..... طبيعته: ..... 01-

Type : ..... نوع: ..... 02-

Marque : ..... علامة: ..... 03-

N° de série : ..... رقم التسلسل أو الخصية: ..... 04-

Prix facturé : ..... السعر الفوتور: ..... 05-

N° de facture : ..... رقم الفاتورة: ..... 06-

Date de la vente : ..... تاريخ البيع: ..... 07-

Garantie prend effet à partir du : ..... تاريخ سريان مفعول الضمان: ..... 08-

Cache et signature du vendeur : ..... الختم والإمضاء:

ملاحظة: في جميع الأحوال الضمان قانوني و مطبق

## شكى رقم 02

### I: Causes de Garantie:

- Ce produit est garanti contre tous les défauts de fabrication pour une période de 24 mois, celle-ci prend effet à compter de la date de la sortie du bac + 3 mois.
- Les réparations faites dans le cadre de cette garantie sont gratuites.
- Cette garantie couvre le changement de pièces de rechange.
- Cette garantie couvre la main d'œuvre.
- Les réparations durant la période de garantie sont sous la responsabilité de l'intervenant.

### II: Les cas de hors Garantie:

- N'est pas inclus dans la garantie :
  - L'endommagement causé par le transport (y compris les rayures, les fissures et les cassures).
  - Le montage et la mise en marche sans respect des prescriptions d'utilisation disponibles dans le manuel
  - La détérioration causée par la foudre, l'eau, l'humidité, le feu, le désordre public, les perturbations de tension électrique, ou tout autre facteur externe.
- Abus d'utilisation, maintenance défectuelle, utilisation des produits de nettoyage inappropriés, la présence d'insectes.
- Utilisation du produit dans un environnement inadéquat.
- Utilisation de piles/défallantes ou en mauvais état.

### III: Conditions de Garantie:

- Afin de bénéficier de cette garantie, le client doit :
  - Présenter une preuve d'achat (facture, bon, ...).
  - Présenter le certificat de garantie en cours de validité correctement rempli et dûment cacheté sans aucune rature.

### IV: L'Annulation de Garantie:

- La garantie est annulée dans les cas suivants :
  - Le non-respect des conditions de garantie ci-dessus mentionnées
  - Le numéro de série est enlevé ou endommagé.
  - La détection d'intervention faite sur le produit par un tiers non agréé par la société Biolux.

### Important:

Cher client: veuillez joindre la preuve d'achat (facture, bon, ...) à votre carte de garantie et la garder en un lieu sûr, dans le cas où vous devriez vous présenter au S.A.V durant la période de garantie.

## شكى رقم 01

### I: بنو الضمان :

- هذا المنتج مضمون من كل عيوب التصنيع لمدة 24 شهر مع زيادة 03 اشهر (بما في ذلك الحشوش والكسر).
- الإصلاحات التي تتم في إطار الضمان تكون مجانية.
- تعويض قطع الغيار المعطلة (بكون بدون مقابل).
- هذه العملية الضرورية لهذا التعويض تكون مجانية.
- الإصلاحات في فترة الضمان تكون تحت مسؤولية المتدخل.

### II: الإستخدام غير المنصوص عليه :

- الفساد من جراء النقل (بما في ذلك الحشوش والكسر).
- الترسبات والتشغيل بطريقة غير مطابقة للتعليمات.
- الإستخدام الغير المنصوص عليه في دليل الإستعمال.
- التلوث بسبب صيانة، مياه رطوية، نار، فوضى علمة، اضطراب في التيار الكهربائي أو أي عامل خارجي.
- الإطراب في الإستعمال، التصغير في الصيانة، إستعمال وسائل نظافة غير ملائمة، وجود حشرات داخل المنتج.
- إستعمال المنتج في مكان غير مخصص له أو إستخدام بطاريات قديمة أو في حالة سببية.

### III: شروط الضمان :

- لتبني هذا الضمان، يجب على الزبون:
  - تقديم إثبات الشراء (الفاكز، وصل،...).
  - تقديم شهادة ضمان مسارية المتعامل وتكون ملونة بشكل صحيح ولم يطره عليها أي تغيير.

### IV: بلغي الضمان في الحالات التالية:

- عدم تحقيق شروط الضمان المذكورة أعلاه
- تغيير الرقم التسلسلي أو الزائغ
- التلثف عن تدخلات حصلت على المنتج من طرف أي مهني غير معتمد من شركة بيولوكس.

### عبر

عزيزي الزبون، الرجاء إيثاق الشراء (الفاكز، وصل،...) واطلب الضمان وتعليمات ما يمكن أمن في حالة ما يتوجب عليك التقدم لمصلحة ما بعد البيع خلال فترة الضمان.

### I: بنو الضمان :

- هذا المنتج مضمون من كل عيوب التصنيع لمدة 24 شهر مع زيادة 03 اشهر (بما في ذلك الحشوش والكسر).
- الإصلاحات التي تتم في إطار الضمان تكون مجانية.
- تعويض قطع الغيار المعطلة (بكون بدون مقابل).
- هذه العملية الضرورية لهذا التعويض تكون مجانية.
- الإصلاحات في فترة الضمان تكون تحت مسؤولية المتدخل.

### II: Les cas de hors Garantie:

- N'est pas inclus dans la garantie :
  - L'endommagement causé par le transport (y compris les rayures, les fissures et les cassures).
  - Le montage et la mise en marche sans respect des prescriptions d'utilisation disponibles dans le manuel
  - La détérioration causée par la foudre, l'eau, l'humidité, le feu, le désordre public, les perturbations de tension électrique, ou tout autre facteur externe.
- Abus d'utilisation, maintenance défectuelle, utilisation des produits de nettoyage inappropriés, la présence d'insectes.
- Utilisation du produit dans un environnement inadéquat.
- Utilisation de piles/défallantes ou en mauvais état.

### III: Conditions de Garantie:

- Afin de bénéficier de cette garantie, le client doit :
  - Présenter une preuve d'achat (facture, bon, ...).
  - Présenter le certificat de garantie en cours de validité correctement rempli et dûment cacheté sans aucune rature.

### IV: L'Annulation de Garantie:

- La garantie est annulée dans les cas suivants :
  - Le non-respect des conditions de garantie ci-dessus mentionnées
  - Le numéro de série est enlevé ou endommagé.
  - La détection d'intervention faite sur le produit par un tiers non agréé par la société Biolux.

### عبر

عزيزي الزبون، الرجاء إيثاق الشراء (الفاكز، وصل،...) واطلب الضمان وتعليمات ما يمكن أمن في حالة ما يتوجب عليك التقدم لمصلحة ما بعد البيع خلال فترة الضمان.

## 5.3 التخزين

- إذا لم تخطط لاستخدام الجهاز لفترة طويلة من الوقت، يرجى تخزينه بعناية.
- يرجى التأكد من نزع قابس الجهاز، وتركه ليبرد ويجف تماماً.
- عليك تخزين الجهاز في مكان بارد وجاف.
- حافظ على الجهاز بعيداً عن متناول أيدي الأطفال


## 5.4 التعامل والنقل

- أثناء التعامل والنقل فقم بحمل الجهاز في عبوتها الأصلية. الهدف من عبوة تغليف الجهاز هو حمايته من أي أضرار مادية.
- لا تضع أحمالاً ثقيلة على الجهاز أو العبوة. يمكن أن يتعرض الجهاز للتلف.
- يؤدي إسقاط الجهاز إلى عدم صلاحيته للتشغيل أو يتسبب في إلحاق أضرار دائمة.

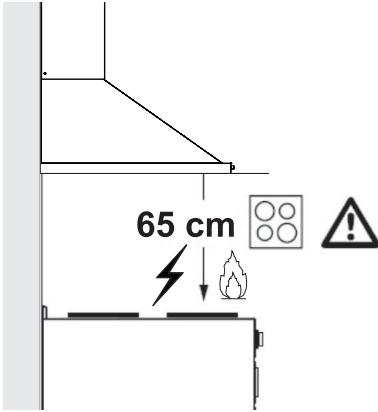
# 6 استكشاف الأخطاء وإصلاحها

مساعدة	السبب	استكشاف الأخطاء وإصلاحها
قد يكون المصهر مغلقاً، اجعله يعمل.	افحص المصهر الخاص بك.	المنتج لا يعمل.
يجب أن يتراوح جهد المأخذ الكهربائي ما بين 220-240 فولط.	افحص الوصلة الكهربائية.	المنتج لا يعمل.
تحقق مما إذا كانت الأجهزة الأخرى الموجودة في مطبخك تعمل أم لا.	افحص الوصلة الكهربائية.	المنتج لا يعمل.
يجب أن يتراوح جهد المأخذ الكهربائي ما بين 220-240 فولط.	افحص الوصلة الكهربائية.	لمبة الإنارة لا تعمل.
يجب أن يكون مفتاح اللمبة في وضع التشغيل "ON".	افحص مفتاح اللمبة.	لمبة الإنارة لا تعمل.
ينبغي ألا تكون لمبات الجهاز معيبة.	افحص للمبات.	لمبة الإنارة لا تعمل.
يجب تنظيف فلتر الزيت الألومنيوم مرة واحدة على الأقل كل شهر في الظروف العادية.	افحص الفلتر الألومنيوم.	الهواء الداخل إلى الجهاز ضعيف.
يجب أن يكون مصرف فتحة التهوية في وضع التشغيل "ON".	افحص مصرف فتحة التهوية.	الهواء الداخل إلى الجهاز ضعيف.
بالنسبة للأجهزة التي تحتوي على فلاتر كربون، يجب تغيير الفلتر عادة كل 3 أشهر.	افحص فلتر الكربون.	الهواء الداخل إلى الجهاز ضعيف.

- قم بتركيب مرشح الشحم المصنوع من الألومنيوم.

<p><b>تنبيه</b></p> <ul style="list-style-type: none"> <li>• يحظر غسل مرشح الكربون نهائيًا.</li> <li>• استبدل مرشحات الكربون مرة كل 3 أشهر.</li> <li>• يمكنك الحصول على مرشح الكربون من مراكز الخدمة المعتمدة.</li> </ul>	
---	--

## 5 تركيب الجهاز



**تحذير:** قبل بدء التثبيت، اقرأ معلومات الأمان الموجودة في دليل المستخدم.



**تحذير:** قد يؤدي عدم التثبيت بالمسامير والمثبتات وفقًا لهذه التعليمات إلى التعرّض للصعق بالكهرباء.



يرجى الرجوع إلى صفحة 26 للحصول على دليل التثبيت



لتركيب الشفاط، يرجى الاتصال بأقرب خدمة معتمدة.

يتحمل العميل مسؤولية إعداد الموقع والتركيب الكهربائي للشفاط.

### 5.2 التثبيت على الحائط

- يجب أن يكون الجدار مسطحًا ومستقيمًا ويتمتع بقدرة تحمل كافية.
- يجب أن يمثل عمق ثقب الحفر إلى طول المسامير.
- المسامير والأوتاد المزودة مناسبة للجدران المصنوعة من الطوب. بالنسبة لمواد البناء الأخرى (مثل الجدران الجافة، والألواح، والخرسانة المسامية)، يجب استخدام أوتاد وصواميل التثبيت المناسبة.

### 5.1 موضع الجهاز

- يجب مراعاة المسافة بين البوتاجاز ومدخنة الموقد قبل التجميع. يجب أن تكون هذه المسافة 65 سم .
- يجب قياس المسافة من سطح الشبكة الخاصة بأفران الغاز، من سطح الزجاج للمواقد الكهربائية.

تنفيذ الخطوات المحددة أعلاه بترتيب عكسي. يمتص هذا المرشح جزيئات الزيت من الهواء.

يمكنك غسل مرشحات الشحوم المصنوعة من الألمنيوم في غسالة الأطباق.



**تنبيه:** في حالة الاستخدام العادي، نظف المرشح مرة واحدة في الشهر.



يجب تنظيف الجهاز وصيانته بانتظام. فعدم الحفاظ على نظافة الجهاز سيؤثر سلبيًا على مدة عمل الجهاز. للتنظيف والصيانة، اتبع التعليمات المذكورة في الدليل.

قبل التنظيف والصيانة، افصل المنتج أو أوقف تشغيل المفتاح.



قد يؤدي عدم اتباع تعليمات تنظيف الجهاز واستبدال الفلاتر إلى خطر نشوب حريق. لذلك، يوصى باتباع الإرشادات المذكورة هنا. الشركة المُصنِّعة غير مسؤولة عن الأضرار التي تلحق بالمحرك أو الحرائق الناتجة عن الاستخدام غير السليم.



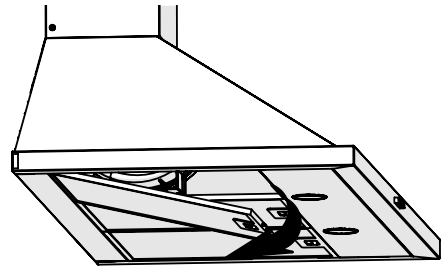
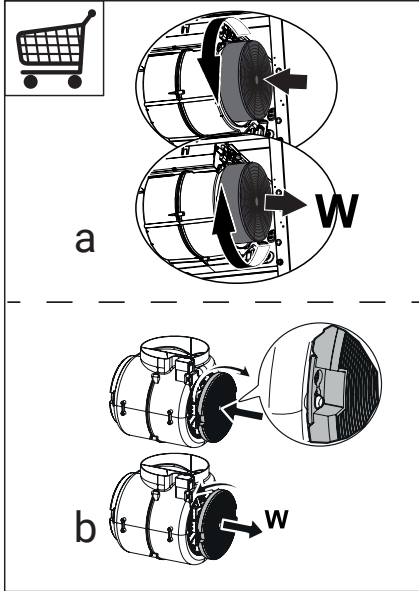
## 4.2 استبدال مرشحات الكربون

تحتوي مرشحات إزالة الرائحة على الفحم (الكربون النشط). يجب تركيب مرشحات الشحوم على الجهاز حتى في حال عدم استخدام مرشح الفحم.

نظف الشفاط باستخدام قطعة قماش مبللة ومنظف سائل محايد.

## 4.1 تنظيف مرشح الشحوم المصنوع من الألمنيوم



يمتص هذا المرشح جزيئات الزيت من الهواء. قد يتغير لون مرشحات الشحوم المصنوعة من الألمنيوم عند غسلها؛ هذا أمر طبيعي ولا يتطلب استبدال مرشحات الشحوم المصنوعة من الألمنيوم.



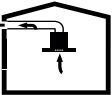
- قم بإزالة مرشح الشحوم المصنوع من الألمنيوم.
- لإزالة مرشح الكربون، قم بإزالة مرشح الكربون من غلافه عن طريق تدويره عكس اتجاه عقارب الساعة من علامة التثبيت.
- قم بتركيب مرشح الكربون الجديد.

- ادفع قفل مرشح شحم الألمونيوم للأمام.
- ثم اسحبه لأسفل قليلاً واسحبه للخارج. أو يمكنك نثني المرشح بدلاً من ذلك. اغسل واشطف مرشحات الشحوم المصنوعة من الألمنيوم بالمنظفات السائلة واستبدل مرشحات الشحوم المصنوعة من الألمنيوم في مأخذها عن طريق

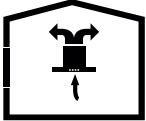
احرص على فصل الشفط عن التيار الكهربائي. فهذا الجهاز مزود بمصابيح LED موضعية 4 وات.

<ul style="list-style-type: none"> <li>• قبل استبدال المصابيح الكهربائية، افصل مصدر الطاقة عن الشفط.</li> <li>• لا تلمس المصابيح عندما تكون ساخنة.</li> <li>• احرص على عدم لمس المصباح المستبدل باليد مباشرة.</li> </ul>	
<p>يمكنك شراء المصابيح من وكلاء الخدمة المعتمدين.</p>	

### 3.5 التشغيل مع توصيل المداخن

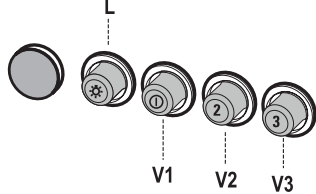
- يتم استخراج البخار من خلال مجرى المداخن، والذي يتم تثبيته برأس التوصيل الموجود على الشفط. 
- يجب أن يكون قطر مجرى المداخن هو نفس حلقة التوصيل. في الإعدادات الأفقية، يجب أن يكون للأنبوب ميل طفيف إلى الأعلى (حوالي 10 درجات) حتى يتمكن الهواء من الخروج من الغرفة بسهولة.

### 3.6 التشغيل بدون توصيل المداخن


- يتم تنقية الهواء من خلال مرشح الكربون وإعادة تدويره في الغرفة. يتم استخدام مرشح الكربون عندما يكون من المستحيل استخدام مداخن في المنزل. 
- في حالة الاستخدام غير المائي، قم بإزالة اللوحات الموجودة داخل محول المداخن.
- فك مرشح الشحوم. لتركيب مرشح الكربون، ثبت المرشح على الألسنة عن طريق توسيطه على قطعة بلاستيكية على جانبي جسم المروحة. شدها بالتحول إلى اليمين أو اليسار.
- استبدل مرشح الشحم المصنوع من الألومنيوم.

## 3.1 استخدام المفتاح المتأرجح

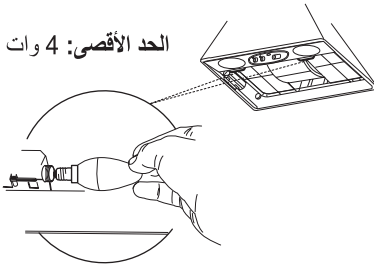
يكون الشفط مزودًا بخاصية التحكم الميكانيكي.

	<b>L</b>	اضغط على زر "L" - لتشغيل الأضواء. أعد الضغط على الزر لإطفاء الإضاءة.
	<b>V1</b>	الضغط على "V1" - لتشغيل الشفط بأقل سرعة.
	<b>V2</b>	الضغط على "V2" - لتشغيل الشفط بسرعة متوسطة.
	<b>V3</b>	الضغط على "V3" - لتشغيل الشفط بأعلى سرعة. ويُقصد بأعلى سرعة تدفق المزيد من الهواء.

## 3.3 تشغيل الشفط

- يكون الشفط مزودًا بمحرك به العديد من إعدادات السرعة.
- وللحصول على الأداء الأمثل، نوصيك باستخدام السرعات المنخفضة في الحالات العادية واستخدام السرعات العالية عندما تشتد الروائح والأبخرة.
- يمكنك تشغيل الشفط بالضغط على مفتاح مستوى السرعة المرغوبة. (V1، V2، V3)
- يمكنك إنارة منطقة الطهي بالضغط على مفتاح المصباح L (  )

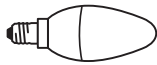
## 3.4 استبدال المصباح



الحد الأقصى: 4 وات

## 3.2 الاستخدام الفعال من حيث توفير الطاقة

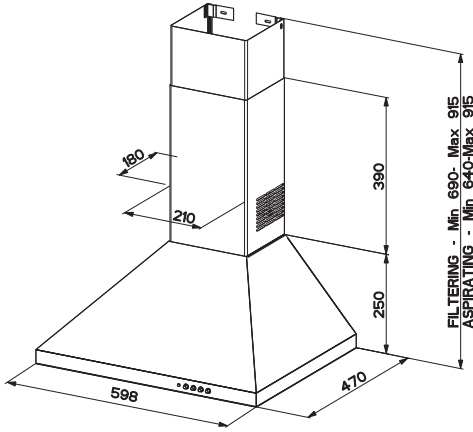
- عند استخدام الجهاز، اضبط إعدادات السرعة طبقًا لكثافة الدخان والرائحة لتوفير الطاقة.
- استخدم السرعتين المنخفضتين (2-1) في الظروف الطبيعية، والسرعة العالية (3) في حالة وجود رائحة قوية ودخان كثيف.
- \* تستخدم المصابيح على الشفط لإنارة منطقي الطهي.
- إن استخدامها لإنارة المكان يتسبب بالاستهلاك غير اللازم للطاقة والإنارة غير الكافية.
- حتى يستهلك الجهاز طاقة أقل، شغله على مستوى سرعة منخفض.
- سيقال الجهاز من استهلاك الطاقة لأنه سيعمل بكفاءة أكبر عندما توفر كمية هواء كافية له.
- اضبط الجهاز على مستوى قوة شفط مكثف قبل تكون البخار، وذلك في الحالات التي تعلم فيها أنه سيكون هناك بخار كثيف. وهكذا، فإنك تقلل من استهلاك الطاقة باستخدام الجهاز لفترة أقصر حيث ستتوفر كمية هواء كافية له.
- أبقِ أعطية أواني الطهي مغلقة لتقليل البخار المتصاعد.

	مصباح
W 4	طاقة المصباح
E14	الحامل/ المقبس
V 240 - 220	جهد المصباح
35x100 mm	الحجم
DRBB/F-4-220-240-E14-35/100	كود ILCOS
lm 400	فيض ضوئي
K 3000	درجة حرارة اللون المتراطة

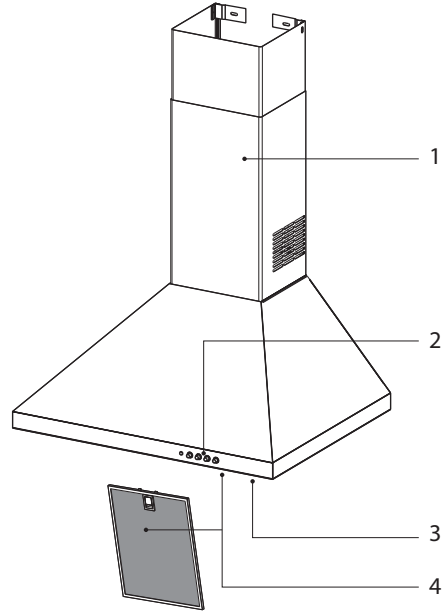
يحتوي هذا المنتج على مصدر ضوء من فئة كفاءة الطاقة "F".



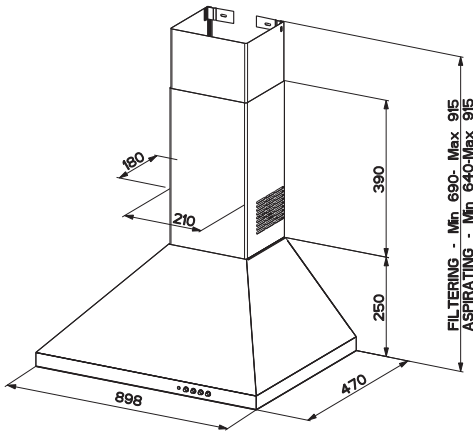
## 2.1 نظرة عامة



CWB 6441 XN - CWB 6441 XNHA  
CWB 6441 WNHA - CWB 6441 BNHA



1. المدخنة
2. أزرار التحكم
3. الإضاءة
4. فلاتر الشحوم الألومنيوم



CWB 9441 XN - CWB 9441 XNHA  
CWB 9441 WNHA

## 2.2 المواصفات الفنية

CWB 9441 XN - CWB 9441 XNHA CWB 9441 WNHA	CWB 6441 XN - CWB 6441 XNHA CWB 6441 WNHA - CWB 6441 BNHA	الطراز
220-240 فولط ~ 50 هيرتز		الجهد الكهربائي والتردد
2x4 وات		طاقة المصباح
125 وات		طاقة المحرك
400 م <sup>3</sup> / س		تدفق الهواء - 3. المستوى
F الفئة		فئة عزل المحرك
II الفئة		فئة العزل

الأجهزة الكهربائية والإلكترونية. للعثور على أنظمة التجميع هذه، يرجى الاتصال بالهيئات المحلية المعنية لديك أو بائع التجزئة الذي اشتريته منه المنتج. تؤدي كل أسرة دورًا مهمًا في استعادة الأجهزة القديمة وإعادة تدويرها. ويساعد التخلص المناسب من الأجهزة المستخدمة في منع العواقب السلبية المحتملة على البيئة وصحة الإنسان.

## 1.3 الامتثال لتوجيه RoHS (الحد من المواد الخطرة)

يتوافق المنتج الذي اشتريته مع توجيه الحد من المواد الخطرة (EU/2011/65) للاتحاد الأوروبي. فهو لا يحتوي على مواد ضارة ومحظورة محددة في التوجيه.

## 1.4 معلومات التعبئة والتغليف

صُنعت مواد تعبئة المنتج وتغليفه من مواد قابلة لإعادة التدوير وفقًا للوائح التنظيمية البيئية الوطنية المعمول بها لدينا. تجنب التخلص من مواد التعبئة والتغليف مع النفايات المنزلية أو النفايات الأخرى. بل سلمهم إلى نقاط تجميع مواد التعبئة والتغليف المحددة من قبل الهيئات المحلية.



عند استخدام غطاء الموقد الكهربائي في آن واحد مع الأجهزة التي تعمل بالغاز أو أنواع الوقود الأخرى (قد لا ينطبق ذلك على الأجهزة التي لا تُفرغ سوى الهواء مرة أخرى إلى الغرفة).

• قد تسقط الأشياء التي تُوضع على المنتج. لذا تجنب وضع أي أشياء عليه.

• تجنب إشعال أي لهب أسفل المنتج.

• تحذير: أزل الأغشية الواقية قبل تثبيت الغطاء.

• تجنب تمامًا ترك ألسنة اللهب المكشوفة العالية أسفل الغطاء أثناء تشغيله.

• ينبغي مراقبة قلايات الدهون العميقة باستمرار أثناء استخدامها: نظرًا لإمكانية اشتعال الزيت الساخن بشدة ونشوب ألسنة لهب.

## 1.2 الامتثال لتوجيه WEEE (نفايات الأجهزة الكهربائية والإلكترونية) والتخلص من نفايات المنتج:

يتوافق هذا المنتج مع توجيه نفايات الأجهزة الكهربائية والإلكترونية (EU/2012/19) للاتحاد الأوروبي. يحظى هذا المنتج بتصنيف رمز لنفايات الأجهزة الكهربائية والإلكترونية (WEEE).

يُشير هذا الرمز إلى أنه ينبغي عدم التخلص من هذا المنتج مع النفايات المنزلية الأخرى في نهاية عمره التشغيلي. ينبغي إعادة الجهاز المُستخدم إلى نقطة تجميع رسمية لإعادة تدوير



• أفضل الجهاز قبل كل عملية تنظيف وعند عدم استخدامه.

• ينبغي ألا يتجاوز الضغط السلبي في البيئة 4 باسكال (4 × 10 بار) بينما يعمل الغطاء الخاص بالموقد الكهربائي والأجهزة على نوع آخر من الطاقة ولكن تعمل الكهرباء في الوقت نفسه.

• في البيئة التي يُستخدَم فيها الجهاز، ينبغي أن يكون عادم الأجهزة التي تعمل بزيوت الوقود أو الغاز، مثل مدفأة الغرفة، معزولاً تمامًا أو يجب أن يكون الجهاز من النوع محكم السد.

• عند توصيل المداخل، استخدم أنابيب يبلغ قطرها 120 أو 150 مم. وينبغي تقصير مسافة توصيل الأنابيب قدر الإمكان واستخدام أقل عدد ممكن من الأنواع.

• **خطر الاختناق!** احتفظ بجميع مواد التعبئة والتغليف بعيدًا عن متناول الأطفال.

**تنبيه:** قد تصبح الأجزاء التي يمكن الوصول إليها ساخنة عند استخدامها مع أجهزة الطهي.

• ينبغي عدم توصيل مخرج المنتج بقنوات الهواء التي ينبعث منها دخان آخر.

• قد تكون تهوية الغرفة غير كافية

- تجنب استخدام الجهاز تمامًا في حالة تلف كابل الطاقة أو الجهاز نفسه.
- تجنب تلف كابل الطاقة من خلال عدم الضغط عليه أو ثنيه أو التسبب في احتكاكه بالحواف الحادة. حافظ على كابل الطاقة بعيدًا عن الأسطح الساخنة واللهب المكشوف.
- لا تستخدم الجهاز سوى مع مقبس كهربائي مؤرض.
- تحذير: تجنب توصيل الجهاز بمصدر إمداد الطاقة الرئيسي قبل أن يتم تثبيته تمامًا.
- ضع الجهاز بطريقة تتيح الوصول إلى القابس بسهولة دائمًا.
- تجنب لمس المصابيح في حالة إضاءتها لفترة طويلة. فقد تنتسب في إصابة يديك بحروق لأنها ستكون ساخنة.
- اتبع اللوائح التنظيمية التي حددتها الهيئات المختصة بخصوص تفرغ هواء العادم (لا ينطبق هذا التحذير على الاستخدام بدون مداخن).
- شغل جهازك بعد وضع المقلاة والوعاء وما إلى ذلك على الموقد. وإلا، قد تؤدي الحرارة المرتفعة إلى حدوث تشوه في بعض أجزاء منتجك.
- أوقف تشغيل الموقد قبل رفع المقلاة والوعاء وما إلى ذلك من فوقه.
- تجنب ترك الزيت الساخن على الموقد. فقد تؤدي المقالي التي تحتوي على زيت ساخن إلى حدوث اشتعال ذاتي.
- يرجى الانتباه إلى الستائر والأغطية لديك نظرًا لإمكانية اشتعال الزيت أثناء طهي الأطعمة مثل البطاطس المقلية.
- يلزم استبدال مرشح الشحوم شهريًا على الأقل. يلزم استبدال المرشح الكربوني كل 3 أشهر على الأقل.
- ينبغي تنظيف المنتج وفقًا لدليل المُستخدِم. لأنه في حالة عدم تنظيفه وفقًا لدليل المُستخدِم، قد يكون هناك ثمة خطر من نشوب حريق.
- تجنب استخدام مواد تصفية غير مقاومة للحريق بدلًا من المرشح الحالي.
- لا تستخدم سوى الأجزاء الأصلية أو الأجزاء التي أوصت بها الشركة المصنعة.
- تجنب تشغيل المنتج بدون المرشح وتجنب إزالة المرشحات أثناء تشغيل المنتج.
- أوقف تشغيل منتجك وأجهزة الطهي الأخرى في حالة اندلاع أي لهب.
- في حالة اندلاع أي لهب، يرجى تغطيته وتجنب استخدام الماء في عملية الإطفاء تمامًا.

## 1.1 السلامة العامة

- بينات المبيت والإفطار.
- لا تشغل الجهاز سوى للغرض المخصص له كما هو موضح في هذا الدليل.
- لا يمكن تحميل الشركة المصنعة مسؤولية الأضرار الناجمة عن التثبيت غير الصحيح للمنتج أو سوء استخدامه.
- يمكن للأطفال الذين تتراوح أعمارهم بين 8 سنوات وما فوق والأشخاص ذوي القدرات الجسدية أو الحسية أو العقلية المحدودة أو الذين يعانون من نقص في الخبرة والمعرفة استخدام هذا الجهاز في حالة الإشراف عليهم أو منحهم التعليمات المتعلقة باستخدام الجهاز بطريقة آمنة وفهمهم للمخاطر المرتبطة به.
- ينبغي عدم السماح للأطفال بالعبث في الجهاز. ولا ينبغي لهم كذلك تنظيفه وصيانته دون الخضوع للإشراف.
- ينبغي ألا يقل الحد الأدنى للمسافة بين سطح الدعم لأوعية الطهي على الموقد والجزء السفلي من منتجك عن 65 سم.
- إذا كانت تعليمات تثبيت موقد الغاز تحدد مسافة أكبر، يلزم مراعاة ذلك.
- تأكد من توافق مصدر إمداد الطاقة الرئيسي لديك مع المعلومات المقدمة على لوحة تصنيف الجهاز.
- اقرأ تعليمات السلامة المهمة بعناية واحتفظ بها للرجوع إليها في المستقبل يحتوي هذا القسم على تعليمات السلامة التي ستساعد في الحماية من خطر نشوب حريق أو التعرض لصدمة كهربائية أو طاقة الميكروويف المتسربة أو الإصابة الشخصية أو تلف الممتلكات. يؤدي عدم اتباع هذه التعليمات إلى إبطال أي ضمان.
- تتوافق منتجات Beko مع معايير السلامة المعمول بها؛ لذلك، في حالة حدوث أي تلف بالجهاز أو كابل الطاقة، يجب إصلاحه أو استبداله لدى الوكيل أو مركز الخدمة أو فني خدمات متخصص ومعتمد على حد سواء لتجنب أي خطر. فقد تمثل أعمال الإصلاح الخاطئة أو غير المؤهلة خطورة وتشكل خطرًا على المستخدم.
- صُمم هذا الجهاز خصيصًا للاستخدام في الاستخدامات المنزلية وما شابهها مثل:
- مناطق مطبخ الموظفين في المتاجر والمكاتب وبيئات العمل الأخرى؛
- منازل المزارع
- من قبل العملاء في الفنادق والبيئات السكنية الأخرى؛




## يرجى قراءة دليل المُستخدمِ هذا أولاً!

عملينا العزيز الغالي،

شكراً لك على تفضيلك لجهاز Beko هذا. نأمل حصولك على أفضل النتائج من جهازك الذي صُنِعَ بجودة عالية وبأحدث التقنيات. ولهذا السبب، يرجى قراءة دليل المُستخدمِ هذا بالكامل وجميع المستندات الأخرى المرفقة معه بعناية قبل استخدام الجهاز والاحتفاظ بهم كمرجع للاستخدام المستقبلي. ويرجى، في حالة إعطاء الجهاز لشخص آخر، منحه دليل المُستخدمِ كذلك. اتبع التعليمات من خلال الانتباه إلى جميع المعلومات والتحذيرات الواردة في دليل المُستخدمِ. تذكر أن دليل المُستخدمِ هذا قد ينطبق أيضاً على الطرز الأخرى. وتوصف الاختلافات بين الطرز بوضوح في الدليل.

### معاني الرموز

تُستخدم الرموز التالية في أقسام مختلفة من دليل المُستخدمِ هذا:

معلومات مهمة ونصائح مفيدة بخصوص الاستخدام.	
تحذير: تحذيرات من المواقع الخطرة المتعلقة بأمن الحياة والممتلكات.	
تحذير من خطر نشوب حريق.	
تحذير من خطر التعرض لصدمة كهربائية.	

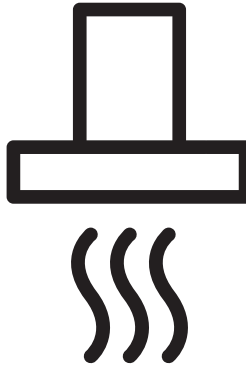




# beko

الغطاء

دليل المستخدم



CWB 6441 XN      CWB 9441 XN  
CWB 6441 XNHA      CWB 9441 XNHA  
CWB 6441 WNHA      CWB 9441 WNHA  
CWB 6441 BNHA

AR



01M-8866623200-1223-08      01M-8891303200-1223-08  
01M-8808493200-1223-08      01M-8808463200-1223-08  
01M-8808483200-1223-08      01M-8808473200-1223-08  
01M-8808503200-1223-08