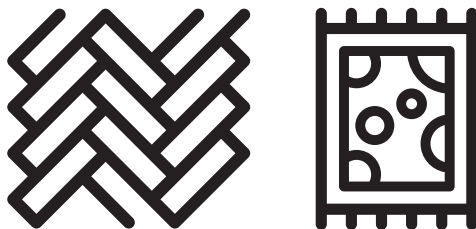




Robot Vacuum Cleaner

User Manual



VRR 70214 VB - VRR 71214 VW

EN - FR - IT - PL - RO - SR



01M-8912273200-1923-03
01M-8913083200-1923-03




Please read this guide first!

Dear Customer,

Thank you for choosing a Beko product. We would like you to achieve the optimal efficiency from this high quality product which has been manufactured with the state of the art technology. Please make sure you read and understand this guide and supplementary documentation fully before use and keep it as a reference. Include this guide with the unit if you hand it over to someone else. Observe all warnings and information herein and follow the instructions.

Symbols and their meanings

Following symbols have been used throughout this guide:

	Important information and beneficial advices regarding the usage of the device.
	WARNING: Warnings about dangerous situations regarding safety of life and property.
	Protection class against electric shock.



RECYCLED &
RECYCLABLE PAPER

CONTENTS

ENGLISH	04-30
FRANÇAIS	31-57
ITALIANO	58-87
POLSKI	88-117
ROMANIAN	118-147
SRPSKI	148-172

1 Important safety and environmental instructions

This section contains safety instructions to prevent hazards that can result in injury or property damage.

Any warranty is void if these instructions are not followed.

1.1 General safety

- This appliance complies with international safety standards.
- This appliance can be used by children 8-years-old over 8 years of age, people with physical, sensory or mental challenges or people with lack of experience or knowledge; as long as control is ensured or information is provided regarding safe usage of the device and the hazards involved. Children must not play with the appliance. Cleaning and user maintenance should not be carried out by unattended children.
- Do not use the appliance if the power cord or the appliance is damaged. Contact authorised service.
- Keep the appliance and its cable out of the reach of children under 8 years of age.
- Do not power your device with multi socket.
- Your mains power supply should be in align with the specified information on the type tag of the appliance.
- Do not use the appliance with an extension cord.
- To prevent damage to the power cord, prevent it from being pinched, crimped or rubbed against sharp edges.
- Do not touch the plug of the appliance with damp or wet hands while the appliance is plugged in.
- Do not pull on the cord while unplugging the appliance.
- Do not vacuum flammable materials and ensure that the cigarette ashes are cooled down before vacuuming them.
- Do not vacuum water and other fluids.

1 Important safety and environmental instructions

- Protect the appliance against precipitation, humidity and heat sources.
- Do not use the appliance in or near explosive or flammable environments and substances.
- Unplug the appliance before cleaning and maintenance.
- This product is not designed for commercial use, it is intended for use at home and in applications as follows:
 - In the staff kitchens of the stores, offices and other working environments,
 - In farm houses,
 - By customers in hotels, motels or other accommodation facilities;
 - In hostels, or similar environments.
 - Sleeping places and breakfast environments
- Do not immerse the appliance or its power cord in water for cleaning.
- Do not disassemble the appliance.
- Use only original parts or parts recommended by the manufacturer.
- To prevent blockage of the filter or damage to the motor, do not vacuum cement, plaster or fragments of compressed paper.
- Use the appliance with the adapter delivered with the appliance only.
- Do not use the appliance without filters, it may get damaged.
- If you keep the packaging materials, keep them out of the reach of children.
- This appliance is not intended to be used by persons, including children, with physical, sensory and mental disabilities or those who have not adequate experience and knowledge regarding its use, unless they are under the supervision of a person responsible for their safety or they are informed about the operation of the appliance.
- The children shall be supervised to prevent them from playing with the appliance.

1 Important safety and environmental instructions

- Unplug the adapter and remove the battery pack before any cleaning or maintenance procedure.
- To avoid any risk of hazard, a damaged adapter shall be replaced by the manufacturer, the authorised representative of the manufacturer or a similarly qualified technician.
- Keep your fingers, hair and loose clothes away from moving parts or clearances while vacuuming.
- Please discard used batteries in accordance with local laws and regulations.
- The batteries in this appliance may only be replaced by the authorised service.
- Do not use batteries of different types or old and new batteries together.
- Do not short circuit the supply terminals.
- Shall be used with ME1XXFG CM 3200 mAh batteries only.
- This appliance shall not be operated by children and people with limited physical, sensory and cognitive skills or people with lack of experience and knowledge unless they are under supervision or they are provided with the relevant instructions.
- The children shall be supervised to prevent them from playing with the appliance.
- Do not put weight on the appliance. Make sure that the children and domestic animals do not get on the appliance.
- Do not run the appliance on high grounds like table or chair.

1 Important safety and environmental instructions

1.2 Compliance with the WEEE regulations and waste disposal



This product complies with EU WEEE Directive (2012/19/EU). This product bears a classification symbol for waste electrical and electronic equipment (WEEE).

This symbol indicates that this product shall not be disposed with other household wastes at the end of its service life. Used device must be returned to official collection point for recycling of electrical and electronic devices. To find these collection systems please contact to your local authorities or retailer where the product was purchased. Each household performs important role in recovering and recycling of old appliance. Appropriate disposal of used appliance helps prevent potential negative consequences for the environment and human health.

1.3 Packaging information



The product's packaging is made of recyclable materials, in accordance with the National Legislation.

Do not dispose of the packaging waste with the household waste or other wastes, dispose it to the packaging collection areas specified by local authorities.

1.4 Waste batteries



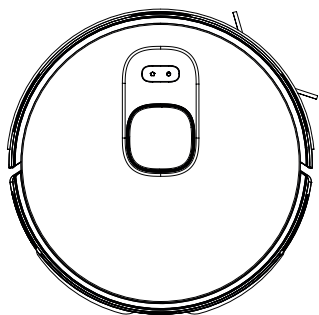
This symbol on rechargeable batteries/batteries or on the packaging indicates that the rechargeable battery/battery may not be disposed of with regular household rubbish. For certain rechargeable batteries/batteries, this symbol may be supplemented by a chemical symbol. Symbols for mercury (Hg) or lead (Pb) are provided if the rechargeable batteries/batteries contain more than 0,0005 % mercury or more than 0,004 % lead.

Rechargeable batteries/batteries, including those which do not contain heavy metal, may not be disposed of with household waste. Always dispose of used batteries in accordance with local environmental regulations. Make enquiries about the applicable disposal regulations where you live.

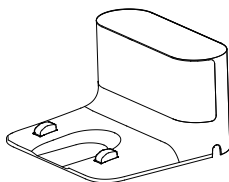
1.5 What to do for energy saving

- When using your appliance, adjust the speed settings according to the surface, in order to save energy.
- Normally, lower speeds are used when cleaning hard surfaces while high speeds are used for cleaning carpets.

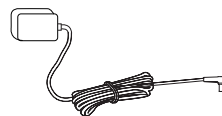
2 Box content



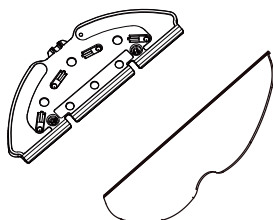
Robot Vacuum



Charging dock



Charge adaptor

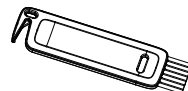


Mopping tool

Mopping cloth



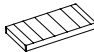


User's manual and product documentation (2 pcs)

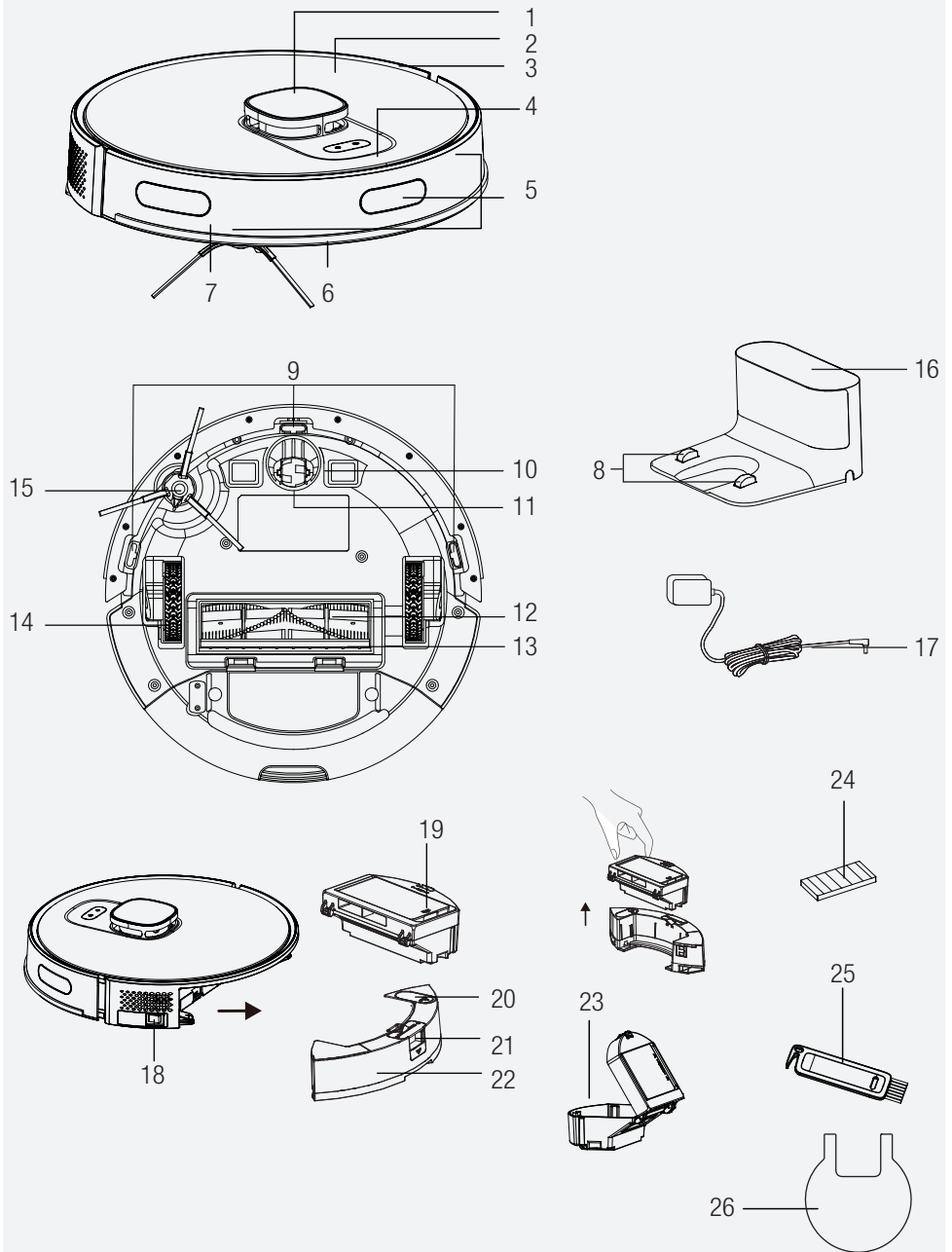


Cleaning brush

Spare accessories supplied

	1 side brush
	1 mopping cloth
	1 filter

3 Overview



3 Overview

2.1 Checks and components

1. Lidar
2. Upper body
3. Central body
4. Start Cleaning-Pause Button / Sending to Charging Stand button
5. Bumper sensor
6. Front bumper
7. Front bumper hitting sensor
8. Charging pins
9. Fall prevention sensor
10. Charging pins
11. Front rotating wheel
12. Rotating brush
13. Rotating brush cover
14. Rear wheel
15. Side brush
16. Charging dock
17. Charge adaptor
18. On/Off button
19. Robot vacuum container EPA filter opening lid
20. Mop water container filling lid
21. Robot vacuum dust container ejection button
22. Mop water container
23. Dust container
24. EPA filter
25. Cleaning brush
26. Floor protection pad from wetness

2.2 Conformity declaration for CE

Arçelik A.Ş. hereby declares that this appliance complies with Directive 2014/53/EU. The complete text of the EU declaration of conformity is available in the following internet address: – Products, from :beko.com

2.2 Technical data

Adapter voltage	100-240V~, 50-60 Hz
Adapter output	24 V 1.0 A
Battery	Li-ion: 14.4V / 3.2 Ah
Charging period:	4-5 hours
Operation time	Up to 150 minutes (in mute position)
Dust container capacity	0.4 L
Water tank capacity	0.3 L
2.4G Wi-Fi frequency range	2412-2472 MHz
Supported Connections	WLAN IEEE 802.11 b/g/n wireless
2.4G Wi-Fi maximum RF output power	20 dBm
RF exposure information	2.4G Wi-Fi maximum
2.4G Wi-Fi maximum RF output power	20 dBm
Operating time	Maximum: 70 mins Powerful: 80 mins Standard: 120 mins Quiet: 150 mins

RF exposure information : The maximum allowed exposure level is calculated according to the 20 cm distance between the appliance and the human body. To comply with the RF exposure condition, a distance of 20 cm should be put between the appliance and the person.

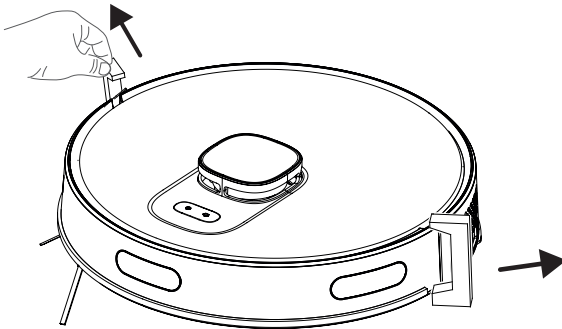
The rights to make technical and design changes are reserved.

3 Overview

Manufacturer	E-TEK Electronics Manufactory Co., LTD
Model ID:	ZD024D240100EU
Input Voltage:	100-240V~
Input Frequency	50-60Hz
Input Current	0.8A
Output Voltage	24.0V DC
Output Current	1.0A
Output Power:	24.0W
Average active efficiency	87.91%
Efficiency at low load (10%)	84.01%
Power under no load:	0.1W

4 Installation

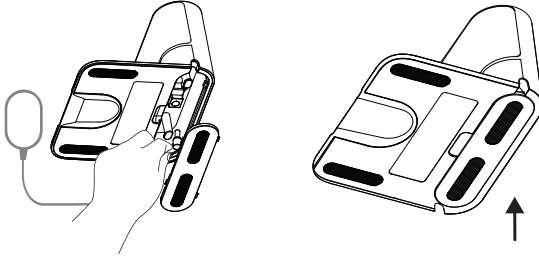
1- Remove the protective sponges.



4 Installation

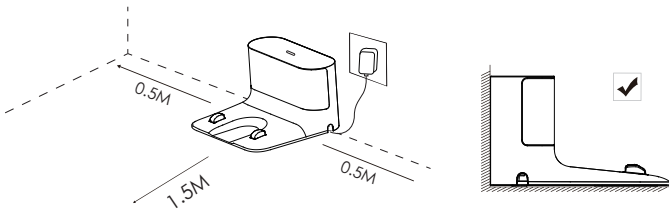
2- Install the charging station.

Install the adaptor plug to the charging station and set the cables up to prevent the adaptor cable from wrapping around the machine during vacuuming.



Install the charging station in a location where it can easily be accessed by the vacuum cleaner. Install the charging station on a hard and level ground rather than a carpet.

To ensure a smooth operation of the robot, it is advised that no obstacles are present within 1.5 m on the front and within 0.5 m on the left and right sides.



Always keep the charging station plugged, otherwise the robot vacuum cleaner cannot return to the charging station automatically.



For a smooth charging operation, do not move the charging station. When the location is changed, it may delete the available map and create a new map due to the positioning error.

5 Operation



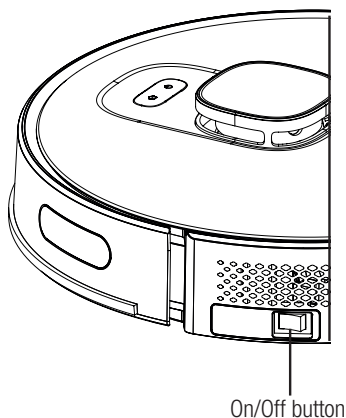
Please charge the machine before first use.

5.1 Intended use

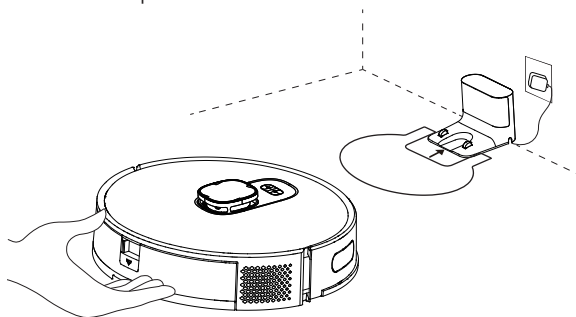
This appliance is intended for household use and it is not suitable for industrial use.

5.2 Charging the appliance

1. Bring the on-off button on the side to the on position for the initial power up.



2. Place the appliance to the dust collection station so that it shall be aligned with the charging communication pins.



Charging starts after the lighting indicator of charging station flashes 3 times and then it is turned off completely.

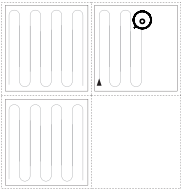
5 Operation

5.3 Operation

For the first operation, bring the ON/OFF button on the side from “0” to “1” position. Press “ⓘ” button on the robot vacuum cleaner for 3 seconds to turn it on.

- Do not turn off the appliance using ON/OFF button directly during cleaning; otherwise the data of the robot vacuum cleaner cannot be saved.
- If the ON/OFF button is on OFF position, the robot vacuum cleaner will be turned on automatically when it is placed on the charging dock and turned off automatically when it is removed from the charging dock.
- If the robot vacuum cleaner will not be used for a long period of time, bring the ON/OFF button to off position.

Starting the cleaning



Press “ⓘ” button to start the automatic cleaning mode. When it is started, the robot vacuum cleaner is removed from the charging dock, performs an automatic scan to create a map, determines the cleaning route in a smart way and divides the area to several regions. The cleaning route is planned along the wall and the robot vacuum cleaner moves forward and backward to clean different regions in order.



WARNING: If the charging level is too low, the cleaning cannot be started. Please charge the appliance before starting the cleaning.



WARNING: Before the cleaning, tidy up all cables to prevent disconnections due to entanglement/pulling of the cables and to prevent damage to the furniture.



WARNING: In the automatic cleaning mode, if the area to be cleaned is less than 10 square meters, the cleaning is performed twice as default.



WARNING: Do not move the charging dock during cleaning and make sure that the station is plugged; otherwise the robot vacuum cleaner may not be able to return for recharging.


Pausing

Press “ⓘ” button on the body to stop the robot vacuum cleaner while it is operating. The robot vacuum cleaner switches to pause mode.

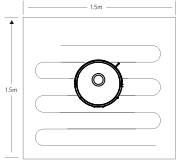
Automatic charging: The robot vacuum cleaner returns automatically to recharge after the cleaning is completed.


Manual charging: The robot vacuum cleaner returns automatically to the charging station when you press “⏪” button on the upper body when it is in the pause position.

5 Operation

- A.** If the operation is paused, press “” button to recharge automatically.
- B.** If the robot vacuum cleaner is caught up anywhere and cannot find the charging dock, please move the robot vacuum cleaner to the charging station yourself to allow it to be charged.

Point cleaning



Bring the robot vacuum cleaner to the area to be cleaned and press “” button twice. When the mode is activated, the robot vacuum cleaner shall clean a square area of 1.5 x 1.5 m by considering itself as the center.

- It cannot start the point cleaning operation from the charging dock. When the point cleaning is completed, it does not return to the charging station and remains in its position. Bring it to the charging stand or move it to the charging stand by pressing “” button on the upper body.

Vacuum power selection

(Supported with the relevant mobile application only) You may select the desired cleaning power from the application:

- Quiet
- Standard
- Powerful
- Maximum

Remote controlled cleaning


(Supported with the relevant mobile application only) You may direct the robot vacuum cleaner to the area to be cleaned by using the manual remote control mode through the application.

Sleep

The robot vacuum cleaner switches to sleep mode automatically if it remains stationary for 10 minutes. The robot vacuum cleaner switches to sleep mode automatically 10 minutes after it is completely recharged. The sleep mode deactivates the current task.

Resetting the system

For APP account delete, the customer can press “remove the product and clear the account” button on the APP to delete all the data on the APP and cloud like maps, clean histories, shared machine, WIFI account password...etc.

Press “” button for 15 seconds in standby position to reset the system. When the system is reset, the map and the original settings (including virtual limits) on the robot vacuum cleaner are deleted.



5.3.1 Operation with the application

5 Operation

Download the application

To download the application, search for “HomeDirect-SDA” application in the mobile app store. Review the mobile application manual for detailed information.

Reset Wi-Fi

Press “” “” buttons simultaneously until you hear the aural warning and see the light blinking.

Add a device

- Open the app, create a new account and follow the instructions in the application.
- Before setting up the Wi-Fi, ensure that the robot vacuum cleaner and the Wi-Fi network meet the following requirements.

A. Robot Vacuum Cleaner:

- The charging level of the robot vacuum cleaner shall be over 20% or the robot vacuum cleaner shall be placed on the charging dock.

B. Wi-Fi network:

- Make sure the password of your wireless network (modem) is correct.
- Do not use any VPN (Virtual private Network).
- Wi-Fi router shall support, 802.11b/g/n and IPv4 protocols.
- The router shall be in the 2.4GHz frequency band or a dual-band router that supports the 2.4GHz band shall be used. The robot vacuum cleaner does not support the 5GHz frequency band.
- If the robot vacuum cleaner cannot connect the 2.4/5GHz dual-band Wi-Fi network, please select 2.4GHz network for Wi-Fi settings. You may switch back to the other frequency band when the setting is completed.
- If you are connecting to a hidden network, please ensure that you enter the network name [SSID (sensitive to capitalization)] correctly and that you are connected to a 2.4GHz wireless network.
- If you are using a wireless network extender, please ensure that the network name (SSID) and the password are the same with the main network.

5 Operation

Wi-Fi connection error

Wi-Fi Status	Root Cause	Solution
White light is illuminated continuously.	The robot vacuum cleaner is connected to the router (modem), but it cannot connect to the network.	<ul style="list-style-type: none">• Ensure that the modem is connected to the network.• Contact your network operator to see if there is a problem in the internet data.
White light is flashing rapidly	The robot vacuum cleaner cannot connect to the modem	<ul style="list-style-type: none">• Ensure that the network name and the password are not changed.• Reset the Wi-Fi connection, if required. Please refer to the “Resetting Wi-Fi” section in the “Downloading the Application and Resetting the Wi-Fi” part of this manual.
White light is flashing slowly.	Wi-Fi is reset.	<ul style="list-style-type: none">• Ensure the Wi-Fi connection of the robot vacuum cleaner. Please review the Mobile Application Manual for detailed directions. Reset the Wi-Fi connection, if required. Please refer to the “Resetting the Wi-Fi” section of this manual

5 Operation

Network security requirements:

Use TKIP, PSK and AES/CCMP encrypted WPA and WPA2 networks.

5.3.2 Operation modes

Map Management

A. Real time mapping

Real time creation of a house map may help you understand the cleaning route and the cleaning environment easily. A map of the house is created after cleaning. The map is updated in real time during each vacuuming operation to ensure a normal navigation. To create a complete house map;

- a. Open the doors of your rooms for the robot vacuum cleaner to map each room;
- b. Remove any objects that may cause obstruction or blockage of the robot vacuum cleaner;
- c. Do not change the location of the charging dock or unplug it after the map is created.

B. Repositioning and remapping

If the robot vacuum cleaner is relocated or significant changes are made in the environment, the robot vacuum cleaner tries to reposition to adapt to the new environment and may create the relevant map again. The details are as follows:

- a. If repositioning is successful, the robot vacuum cleaner continues on cleaning;
- b. If repositioning is unsuccessful, the robot vacuum cleaner starts over to scan in order to make the mapping again.



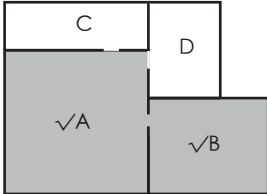
WARNING: Ensure that the robot vacuum cleaner always starts the cleaning operation from the charging dock.

During cleaning, do not intervene in the robot vacuum cleaner or change its location.

5 Operation

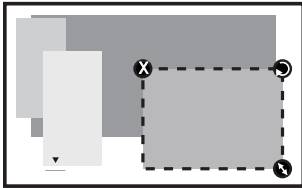
Room cleaning mode (Supported by the relevant mobile application only)

You may specify the rooms you want to be cleaned with the mobile application, then the robot vacuum cleaner cleans only the room(s) that is/are marked in the map.



- The robot vacuum cleaner may also enter the areas other than the selected area after it starts cleaning; thus please remove the obstacles on the ground around the selected area. Area selection does not provide a secure isolation.
- Regional cleaning may only be started after the robot vacuum cleaner successfully creates a map.

Regional cleaning mode (Supported by the relevant mobile application only)



The dimensions of the region can be determined by holding from the right bottom corner. In the meantime, the dimensions of the displayed area are written on the screen with the dotted line.

Select regional cleaning mode in the application and then specify a cleaning area. The robot vacuum cleaner only cleans the selected area and then returns to the charging dock.

- Regional cleaning may only be started after the robot vacuum cleaner successfully creates a map.



Refer to the mobile application operation manual for detailed usage tips.

5 Operation

5.4 Operation of the mop



WARNING: Do not use the mopping mode on a carpet.



WARNING: Do not put bleach or detergent in the water tank. These chemicals may damage the liquid channels that ensure the water flow in the robot vacuum cleaner or the pump.



WARNING: Remove the mopping unit while the robot vacuum cleaner is being charged or when it is not operated.

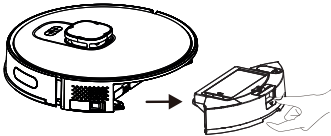


WARNING: Remove the mopping unit immediately after the mopping operation is completed to prevent damage to your wooden floors.

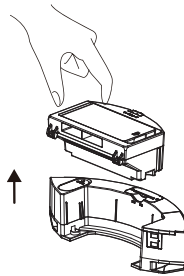


WARNING: The robot vacuum cleaner cuts off the water automatically when mopping is paused or ended. However, the mop remains wet and thus it shall not be kept at this condition for a long period and removed without delay.

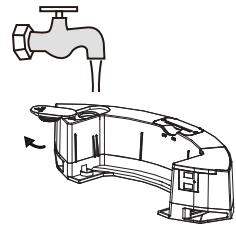
5.4.1 Installation of the wet mopping unit



Remove the dust container and the water tank assembly (2 in 1).

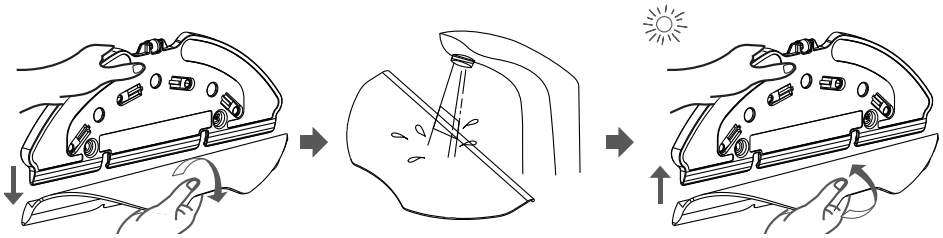


Remove the dust container.



Remove the rubber plug and add water to the water tank from the water inlet.

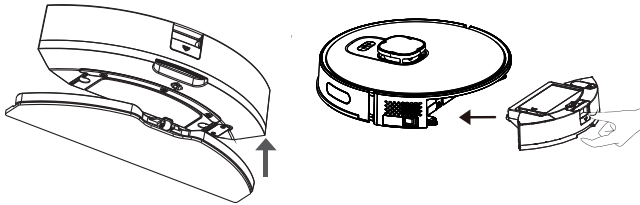
5 Operation



Remove the swab on the mop retainer as it is shown.

Moisten the swab before each mopping.

Place the swab to the mop retainer.



Install the mop retainer to the dust container and the water tank assembly (two in one) in the direction of the arrow.

Install the dust container and the water tank assembly (two in one) to the appliance, their places in the direction of the arrow.

5.4.2 Wet mopping setting

You may start the cleaning operation by selecting the cleaning mode and set the level of wetness during mopping as desired in the application.

It is advised that you remove your carpets or you add a virtual wall (mop prohibited area) to the carpet area on the application in order to keep the vacuum cleaner away from the carpet to prevent the wetting of the carpet by the robot vacuum cleaner during the mopping operation.

6 Cleaning and maintenance

Turn off the appliance and unplug it before cleaning it.



WARNING: Never use gasoline, solvent, abrasive cleaners, metal objects or hard brushes to clean the appliance.

6.1 Cleaning the dust container and filters



You may call our call center to order a new filter when your filter reaches the end of its expected life, is deformed or needs to be replaced for a reason.

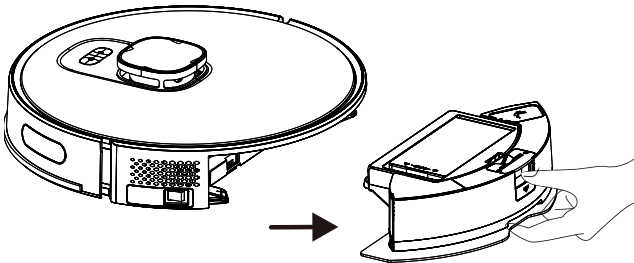


To achieve the maximum performance with EPA filter, clean it with a brush after each cleaning.

EPA filter is a replaceable accessory.

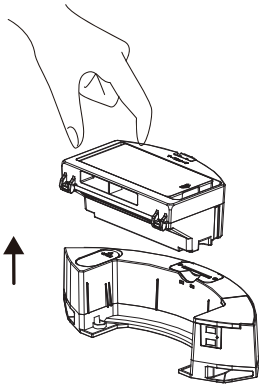
If you performed a cleaning operation in a space where there is construction dust and dust with very tiny particles, replace your filter with a new one in order not to experience a loss of performance.

1. Remove the dust container and the water tank assembly (2 in 1) by pressing the button as shown below.



6 Cleaning and maintenance

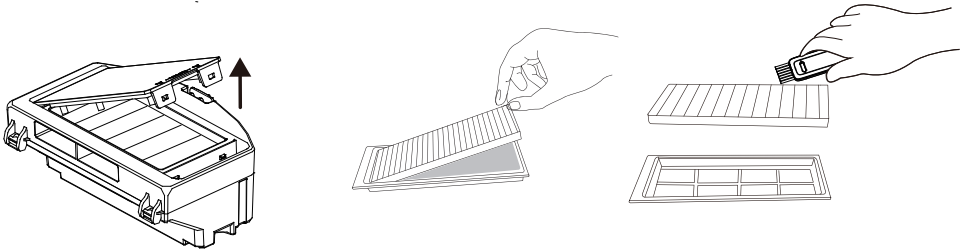
2. Remove the dust container by pulling it in the direction of the arrow.



3. Open the dust container as it is seen below and empty it as it is shown.

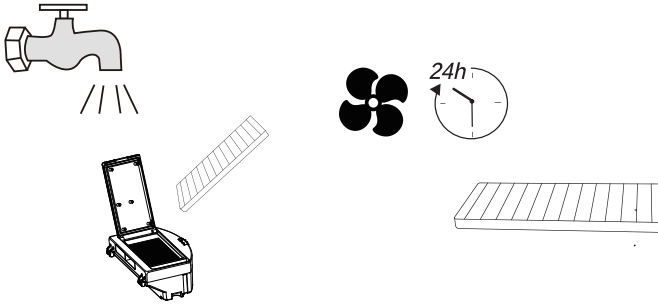


4. Remove the high performance filter and clean the filter using the cleaning brush provided together with the appliance.



6 Cleaning and maintenance

5. Wash the water tank, dust container and filter assembly periodically with **cold water** as required as per the frequency of operation.



6. Leave the water tank, dust container and filter assembly to dry after washing, and ensure that they are completely dried.



Drying may take 24 to 48 hours.

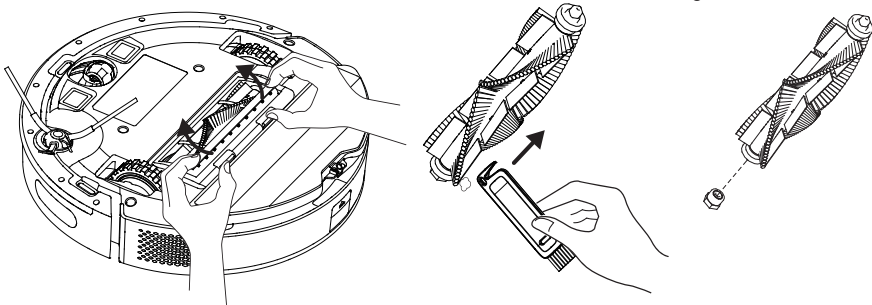
7. Assemble the water tank, dust container and filter assembly after drying them and then install the assembly to the vacuum cleaner.



WARNING: Do not operate the robot vacuum cleaner without installing the filter group. Otherwise, the appliance may get damaged.

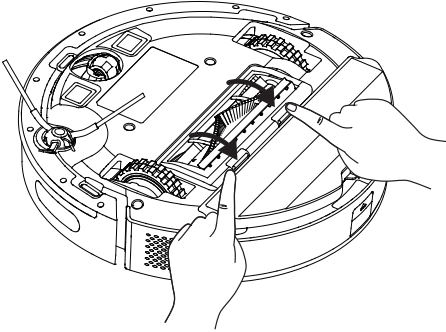
6.2 Cleaning of the brush

1. Open the upper cover of the main brush by pressing on the tabs. Pull and remove the main roll upwards. Cut the hair lapped on the roller brush with the cutting and sharp side of the cleaning brush. Then clean the dusts on the roller brush with the bristles of the cleaning brush.

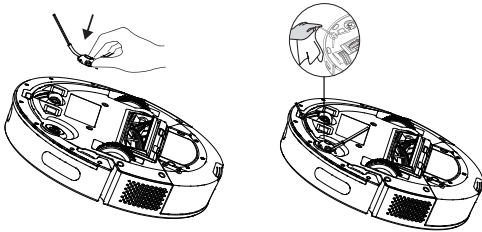


6 Cleaning and maintenance

2. Replace the brush after cleaning it and close the cover in the direction of the arrow.



6.3 Cleaning and installation of the side brush

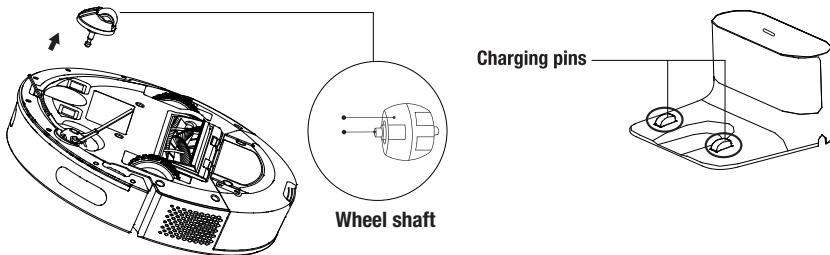


In the long term use, wash the side brush with warm water in order to eliminate the shape deformation. Install it to the robot as it is shown after it has dried.

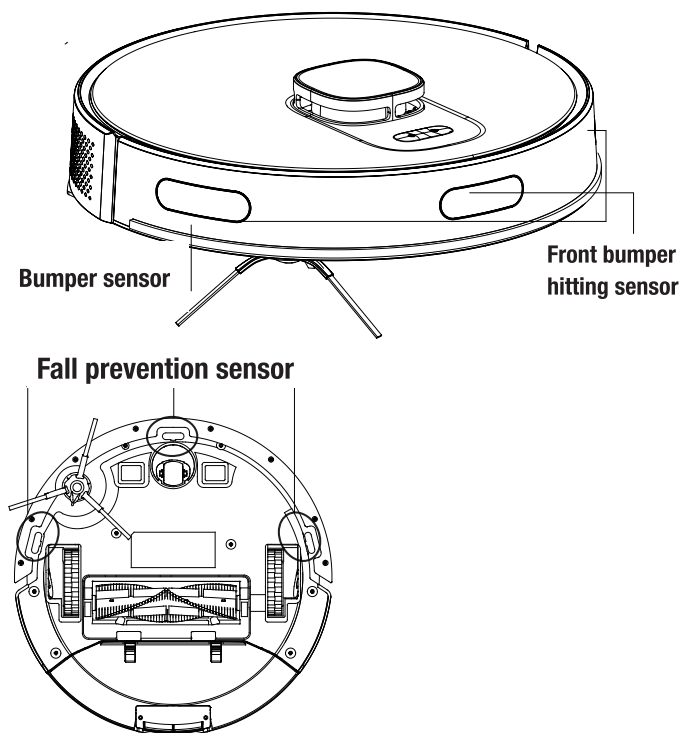
6.4 Cleaning of the sensors

Clean the sensors and charging pins/electrodes regularly and remove the dust using a dry and soft cloth or a cleaning brush.

Information: You get a notification via the application when sensor cleaning is required.



6 Cleaning and maintenance

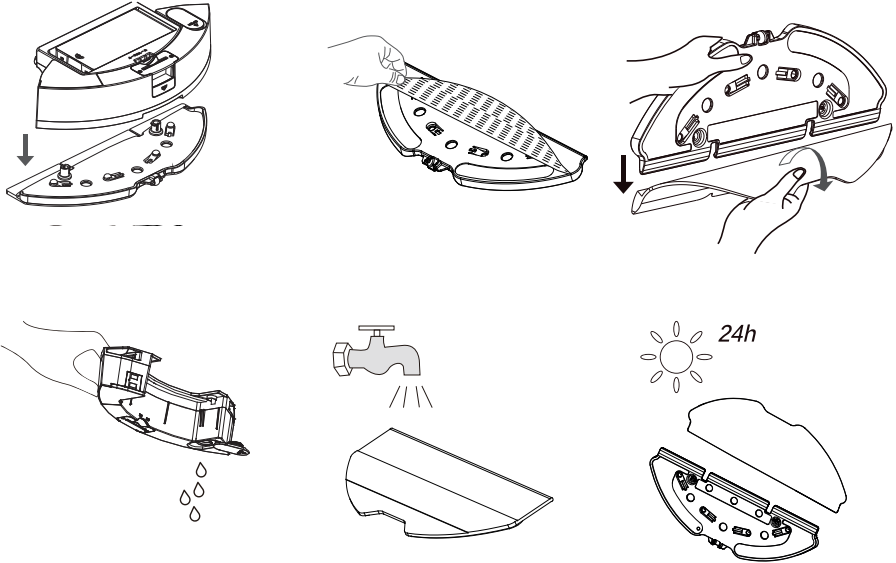


6 Cleaning and maintenance

6.5 Cleaning of the mopping unit

We recommend that you remove the mop holder from one side, drain the water tank, rinse the mop with water and then leave it to dry after each operation of the mopping unit.

You may wash the mop in a washing machine.



7 Troubleshooting

General Error Conditions

Failure	Cause and remedy
Cannot be operated	<ol style="list-style-type: none">1. Charging level is low. Place the robot vacuum cleaner to the charging dock so that it shall be aligned with the charging poles. Bring the button on the left of the robot vacuum cleaner to position "I"; and the vacuum cleaner shall be operated automatically (When the robot vacuum cleaner is completely discharged, you shall need to charge for a while for automatic operation).2. The ambient temperature is very low (under 0 °C) or very high (above 50 °C). Please use the robot vacuum cleaner at an ambient temperature from 0 to 40 °C.3. Please ensure that the on/off button on the side of the robot vacuum cleaner is brought to position "I".
Battery not charging	<ol style="list-style-type: none">1. Please remove the robot vacuum cleaner and check if the indicator light on the charging dock station is illuminated and ensure that both ends of the power adaptor of the charging dock are connected.2. Loose contact. Please clean the spring contacts on the charging dock and the charging contacts on the robot vacuum cleaner.3. Please ensure that the on/off button on the side of the robot vacuum cleaner is brought to position "I".
Does not return to the dock/ station for charging	<ol style="list-style-type: none">1. There are too many obstacles around the charging dock. Please place the charging dock to an area free of obstacles.2. The robot vacuum cleaner is too far away from the charging dock. Bring the robot vacuum cleaner closer to the charging dock and try again.3. Make sure that the charging stand station is plugged and there is energy.
Abnormal operation	Turn off and on again.
Operates with abnormal noise.	Foreign materials may have entered to the main brush, side brushes and the wheels. Please turn off the robot vacuum cleaner and clean it.
Cleaning performance is low / dust leaks	<ol style="list-style-type: none">1. Dust container is full. Please clean the dust container.2. Filter is clogged. Please clean or replace the filter.3. Foreign materials may have entered to the main brush. Please clean the main brush.

7 Troubleshooting

Cannot connect to the Wi-Fi network.	<ol style="list-style-type: none"> 1. Wi-Fi signal is weak. Make sure that the Wi-Fi signal in the location of the robot vacuum cleaner is strong. 2. There is a cutoff in Wi-Fi connection. Please reset Wi-Fi, download the latest mobile application and try again. 3. Password is not entered correctly. 4. The router used is a model that operates in 5G frequency band (this robot vacuum supports the 2.4G frequency band only).
Timed cleaning feature does not operate	Charging level is low. Timed cleaning can only be started when the charge level is higher than 20%.
The vacuum cleaner consumes power while it is in the charging dock	The vacuum cleaner consumes very little amount of power while it is in the charging dock; this feature allows to keep the battery performance in the best level.

Failure List

When the robot vacuum cleaner switches to the error position, the illuminated home button on the upper body starts to blink red and gives an audible warning. Follow the audible warning to resolve the fault.

Audible Warning	Solution
Error 1: Battery error. Please refer to the manual or the application.	<ul style="list-style-type: none"> • Battery temperature is very high or very low. Wait until the battery temperature reaches the normal values (0 °C~40 °C/32 °F~104 °F).
Error 2: Wheel error. Please refer to the manual or the application.	<ul style="list-style-type: none"> • Please check for any foreign material stuck in the wheels and restart the vacuum cleaner.
Error 3: Side brush error. Please refer to the manual or the application.	<ul style="list-style-type: none"> • Please check for any foreign material stuck in the side brush and restart the vacuum
Error 4: Main motor error. Please refer to the manual or the application.	<ul style="list-style-type: none"> • Please check whether there is any foreign material stuck at the rear of the rotating brush (in the air flow path) and restart the vacuum cleaner. • Please check the dust container and the filter, and restart the vacuum cleaner.
Error 5: Turbo brush error. Please refer to the manual or the application.	<ul style="list-style-type: none"> • Please remove the rotating brush, and clean the connection part of the rotating brush, rotating brush cover and the dust nozzle. Restart the vacuum cleaner after cleaning.

7 Troubleshooting

Error 6: Water pump error. Please refer to the manual or the application.	<ul style="list-style-type: none">• Please clean the water tank and the water flow under the vacuum cleaner and check the mopping module. Please try to restart the vacuum cleaner after cleaning.
Error 7: Laser sensor error. Please refer to the manual or the application.	<ul style="list-style-type: none">• Please check for any foreign material inside the laser sensor, clean if required and restart the vacuum cleaner.
Error 9: Charging operation error. Please clean the charging contact area.	<ul style="list-style-type: none">• Please check for any contamination in the charging area and clean the charging poles.
Error 10: Software error. Please turn off and restart again.	<ul style="list-style-type: none">• Please bring the main button to position 0 and back to position I and restart the vacuum cleaner
Error 12: Abnormal operation. Please make sure that the main button is turned on.	<ul style="list-style-type: none">• Please bring the main button to on position initially


Veillez d'abord lire ce manuel !

Cher/Chère client(e),

Merci d'avoir choisi un produit Beko. Nous aimerions que vous obteniez une efficacité optimale de ce produit de haute qualité qui a été fabriqué avec une technologie de pointe. Veillez à lire et à comprendre entièrement ce guide et la documentation supplémentaire avant de les utiliser et conservez-les comme référence. Joignez ce guide à l'aspirateur si vous le remettez à quelqu'un d'autre. Respectez tous les avertissements et informations contenues dans le présent document et suivez les instructions.

Symboles et leurs significations

Les symboles suivants ont été utilisés dans ce guide :

	Informations importantes et conseils utiles concernant l'utilisation de l'appareil.
--	---

	AVERTISSEMENT : Avertissements sur les situations dangereuses concernant la sécurité des personnes et des biens.
--	---

	Classe de protection contre les chocs électriques.
--	--

FR

 **ÉLÉMENTS PAPIER** 

BAC DE TRI

FR

 Cet appareil, ses accessoires, cordons et batteries se recyclent

À DÉPOSER EN MAGASIN  OU  À DÉPOSER EN DÉCHÈTERIE

Points de collecte sur www.quefairedemesdechets.fr
Privilégiez la réparation ou le don de votre appareil !



PAPIER ENTIÈREMENT
RECYCLÉ ET RECYCLABLE

1 Instructions importantes en matière de sécurité et d'environnement

Cette section contient des instructions de sécurité visant à prévenir les dangers qui peuvent entraîner des blessures ou des dommages matériels.

Toute garantie est nulle si ces instructions ne sont pas suivies.

1.1 Sécurité générale

- Cet appareil est conforme aux normes internationales de sécurité.
- Cet appareil peut être utilisé par des enfants de plus de 8 ans, des personnes ayant des difficultés physiques, sensorielles ou mentales ou des personnes manquant d'expérience ou de connaissances, à condition qu'un contrôle soit assuré ou que des informations soient fournies concernant l'utilisation sûre de l'appareil et les risques encourus. Ne laissez pas les enfants jouer avec l'appareil. Le nettoyage et l'entretien par l'utilisateur ne doivent pas être effectués par des enfants sans surveillance.
- N'utilisez pas l'appareil si le cordon d'alimentation ou l'appareil est endommagé. Contactez un service agréé.
- Votre alimentation secteur doit être conforme aux informations spécifiées sur la plaque signalétique de l'appareil.
- N'utilisez pas l'appareil avec une rallonge.
- Pour éviter d'endommager le cordon d'alimentation, évitez qu'il soit pincé, serti ou frotté contre des arêtes vives.
- Ne touchez pas la fiche de l'appareil avec les mains mouillées ou humides lorsque l'appareil est branché.
- Ne tirez pas le cordon pour débrancher l'appareil.
- N'aspirez pas les matériaux inflammables et assurez-vous que les cendres de cigarette sont refroidies avant de les aspirer.
- N'aspirez pas d'eau et d'autres liquides.

1 Instructions importantes en matière de sécurité et d'environnement

- Protégez l'appareil de la pluie, de l'humidité et des sources de chaleur.
- N'utilisez pas l'appareil dans ou à proximité d'environnements et de substances explosives ou inflammables.
- Débranchez l'appareil avant le nettoyage et l'entretien.
- N'immergez pas l'appareil ou son cordon d'alimentation dans l'eau pour le nettoyer.
- Ne démontez pas l'appareil.
- Utilisez uniquement les pièces d'origine ou celles recommandées par le fabricant.
- Pour éviter de bloquer le filtre ou d'endommager le moteur, n'aspirez pas le ciment, le plâtre ou les fragments de papier comprimé.
- Utilisez l'appareil uniquement avec l'adaptateur fourni.
- N'utilisez pas l'appareil sans filtres, sinon il pourrait être endommagé.
- Si vous conservez les matériaux d'emballage, gardez-les hors de portée des enfants.
- Cet appareil n'est pas conçu pour être utilisé par des personnes ayant des handicaps physique, sensoriel et mental, les enfants, ou les personnes qui n'ont pas une expérience et une connaissance adéquate par rapport à l'utilisation, sauf si elles sont sous la surveillance d'une personne responsable de leur sécurité ou informées sur le fonctionnement de l'appareil.
- Les enfants doivent être surveillés pour éviter qu'ils ne jouent pas avec l'appareil.
- Débranchez l'adaptateur et retirez le bloc-batteries avant toute procédure de nettoyage ou d'entretien.
- Pour éviter tout risque de danger, un adaptateur endommagé doit être remplacé par le fabricant, le représentant autorisé du fabricant ou un technicien également qualifié.

1 Instructions importantes en matière de sécurité et d'environnement

- Tenez vos doigts, vos cheveux et vos vêtements amples à l'écart des pièces mobiles ou des dégagements lorsque vous passez l'aspirateur.
- Les batteries doivent être retirées de l'appareil avant de le mettre au rebut.
- Débranchez l'appareil de la source d'alimentation avant de retirer la batterie.
- Veuillez éliminer les batteries usagées conformément aux lois et règlements locaux.
- Les batteries de cet appareil ne peuvent être remplacées que par un service agréé.
- N'utilisez pas de batteries de différents types ou des batteries usagées et de nouvelles batteries à la fois.
- Vous devez installer les batteries selon la disposition polaire appropriée.
- Ne court-circuitez pas les terminaux d'alimentation.
- Doit être utilisé uniquement avec les batteries ME1XXFG CM 3200 mAh.
- Cet appareil ne peut pas être utilisé par des enfants et par des personnes aux capacités physiques, sensorielles ou mentales réduites ou sans expérience ou connaissance, à condition qu'elles soient surveillées ou qu'elles aient reçu des instructions y relatives.
- Les enfants doivent être surveillés pour éviter qu'ils ne jouent pas avec l'appareil.
- Ne mettez pas de poids sur l'appareil.
- Ne faites pas fonctionner l'appareil sur des supports élevés comme une table ou une chaise.
- Ne posez pas d'objets lourds sur l'appareil. Assurez-vous que les enfants et les animaux domestiques ne montent pas sur l'appareil.

1 Instructions importantes en matière de sécurité et d'environnement

- Ce produit n'est pas conçu pour un usage commercial, il est destiné à être utilisé à domicile et dans les applications suivantes :

- les cuisines du personnel de magasins, les bureaux et autres environnements de travail ;
- les maisons de campagne ;
- par les clients dans des hôtels, des motels ou d'autres installations d'hébergement ;
- dans des auberges de jeunesse, ou dans des environnements similaires, et
- les dortoirs et les salles à manger

1.2 Respect de la réglementation WEEE et élimination des déchets



Ce produit est conforme à la directive DEEE (2012/19/UE) de l'Union européenne). Ce produit porte un symbole de classification pour la mise au rebut des équipements électriques et électroniques (DEEE). Ce symbole indique que ce produit ne doit pas être jeté avec les déchets ménagers à la fin de sa vie utile. Les appareils usagés doivent être retournés au point de collecte officiel destiné au recyclage des appareils électriques et électroniques. Pour trouver ces systèmes de collecte, veuillez contacter les autorités locales ou le détaillant auprès duquel vous avez acheté le produit. Chaque ménage joue un rôle important dans la récupération et le recyclage des appareils ménagers usagés. L'élimination appropriée des appareils usagés aide à prévenir les conséquences négatives potentielles pour l'environnement et la santé humaine.

1.3 Informations sur l'emballage



L'emballage de l'appareil a été fabriqué à partir de matériaux recyclables, conformément à la législation nationale.

Ne pas jeter les déchets d'emballage avec les déchets ménagers ou d'autres déchets, les déposer dans les zones de collecte des emballages spécifiées par les autorités locales.

1 Instructions importantes en matière de sécurité et d'environnement

1.4 Batteries usagées

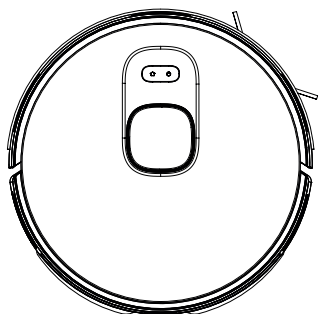


Assurez-vous de mettre au rebut les batteries usagées conformément aux lois et réglementations locales. Le symbole sur la batterie et l'emballage indique que la batterie livrée avec l'appareil ne doit pas être considérée comme un déchet ménager. Ce symbole peut être utilisé en conjonction avec un symbole chimique dans certaines régions. Si les batteries contiennent plus de 0,0005 % de mercure et plus de 0,004 % de plomb, le symbole chimique Hg pour le mercure et le symbole chimique Pb pour le plomb sont ajoutés sous le symbole. En vous assurant que les batteries sont mises au rebut de façon appropriée, vous contribuerez à la prévention des dommages potentiels à l'environnement et à la santé humaine dus à une mise au rebut inappropriée des batteries.

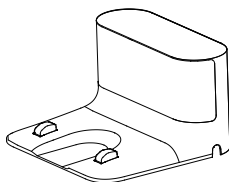
1.5 Comment économiser de l'énergie

- Lorsque vous utilisez votre appareil, effectuez les réglages de vitesse en fonction de la surface afin d'économiser de l'énergie.
- En général, les vitesses les plus faibles sont utilisées pour le nettoyage des surfaces dures tandis que les vitesses élevées sont utilisées pour le nettoyage des tapis.

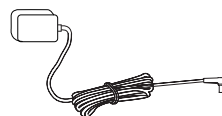
2 Contenu de la boîte



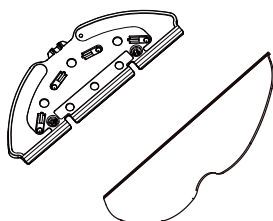
Aspirateur Robot



Station de charge



Adaptateur de charge

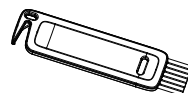


Outil de nettoyage

Chiffon de nettoyage



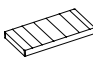


Manuel d'utilisation et documentation sur le produit (2 pièces)

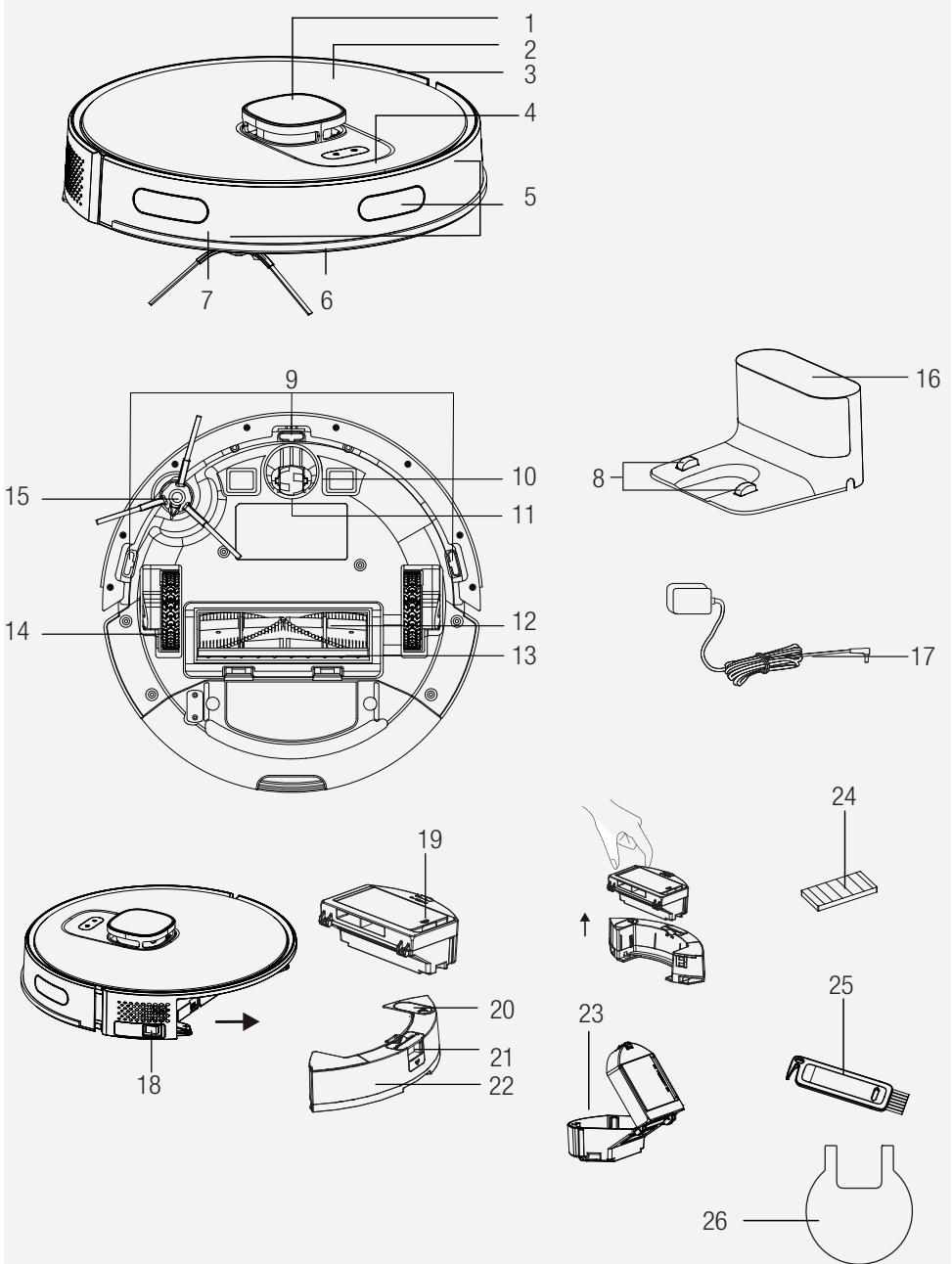


Brosse de nettoyage

Accessoires de rechange fournis

	1 brosse latérale
	1 chiffon de nettoyage
	1 filtre

3 Aperçu Général



3 Aperçu Général

2.1 Contrôles et composants

1. Lidar
2. Corps supérieur
3. Corps central
4. Bouton de démarrage ou de suspension du nettoyage/bouton d'envoi à la station de charge
5. Capteur de pare-chocs
6. Pare-chocs avant
7. Capteur de choc pour pare-chocs avant
8. Broches de charge
9. Capteur de prévention des chutes
10. Broches de charge
11. Roue rotative avant
12. Brosse rotative
13. Couvercle de la brosse rotative
14. Roue arrière
15. Brosse latérale
16. Station de charge
17. Adaptateur de charge
18. Bouton Marche / Arrêt
19. Couvercle d'ouverture du filtre HEPA du récipient à poussière du robot aspirateur
20. Nettoyage du couvercle du récipient à eau
21. Bouton d'éjection du récipient à poussière du robot aspirateur
22. Nettoyage du récipient à eau
23. Récipient à poussière
24. Filtre HEPA
25. Brosse de nettoyage
26. Protection du sol contre l'humidité

2.2 Déclaration CE de conformité

Arçelik A.Ş déclare par la présente que cet appareil est conforme à la Directive 2014/53/UE. Le texte intégral de la Déclaration CE de conformité est disponible à l'adresse internet suivante : – Produits, de : beko.com

2.3 Données techniques

Tension de l'adaptateur	100-240V~, 50-60 Hz
Sortie de l'adaptateur	24.0V / 1.0 A
Batterie	Li-ion: 14.4V / 3.2 Ah
Temps de charge	4-5 les heures
Durée de fonctionnement	Jusqu'à 150 minutes (en position muette)
Capacité du récipient à poussière	0.4 L
Capacité du réservoir d'eau	0.3 L
Gamme de fréquences Wi-Fi 2,4G	2412-2472 MHz
Connexions Prises en Charge	WLAN IEEE 802.11 b/g/n sans fil
Puissance de sortie RF maximale du Wi-Fi 2.4G	20 dBm
Informations sur l'exposition aux RF	Gamme de fréquences Wi-Fi 2,4 G
Durée de fonctionnement :	Maximum : 70 min Puissant : 80 min Standard : 120 min Silence : 150 min

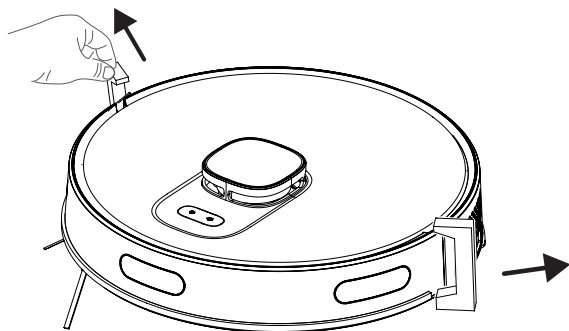
Informations sur l'exposition aux RF : Le niveau d'exposition maximal autorisé est calculé en fonction de la distance de 20 cm entre l'appareil et le corps humain. Pour respecter les conditions d'exposition aux RF, une distance de 20 cm doit être respectée entre l'appareil et la personne.

3 Aperçu Général

Fabricant	E-TEK Electronics Manufactory Co., LTD
Identifiant de modèle :	ZD024D240100EU
Tension d'entrée :	100-240V~
Fréquence d'entrée	50-60Hz
Courant d'entrée	0.8A
Tension de sortie	24.0V DC
Courant de sortie	1.0A
Puissance de sortie :	24.0W
Efficacité active moyenne	87.91%
Efficacité à faible charge (10 %)	84.01%
Consommation électrique sans charge :	0.1W

4 Installation

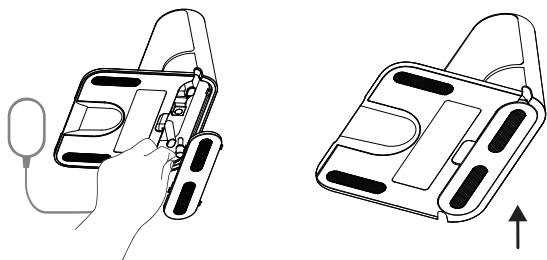
1- Retirez les éponges de protection.



4 Installation

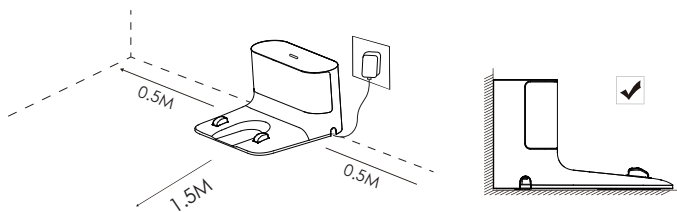
2- Installer le poste de charge.

Installez la fiche de l'adaptateur sur le poste de charge et installez les câbles pour éviter que le câble de l'adaptateur ne s'enroule autour de la machine pendant l'aspiration.



Installer le poste de charge à un endroit facilement accessible pour l'aspirateur. Installer le poste de recharge sur un sol dur et plat plutôt que sur un tapis.

Pour assurer le bon fonctionnement du robot, il est conseillé de ne pas avoir d'obstacles dans un rayon de 1,5 m à l'avant et de 0,5 m sur les côtés gauche et droit.



Installez la station de chargement sur un sol dur et plat de manière à ce que son dos soit tourné vers le mur, puis branchez-la.



Gardez toujours la station de charge branchée, sinon l'aspirateur ne peut pas revenir automatiquement.



Pour que le chargement se fasse en douceur, ne déplacez pas fréquemment la station. Lorsque l'emplacement de l'aspirateur est modifié, il peut supprimer la carte disponible et créer une nouvelle carte en raison de l'erreur de positionnement.

5 Fonctionnement



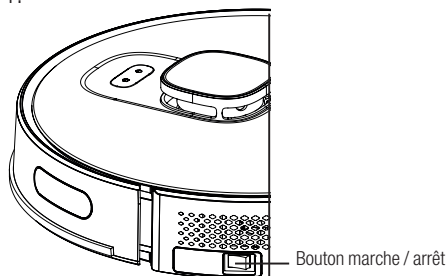
Veillez charger la machine avant la première utilisation.

5.1 Utilisation prévue

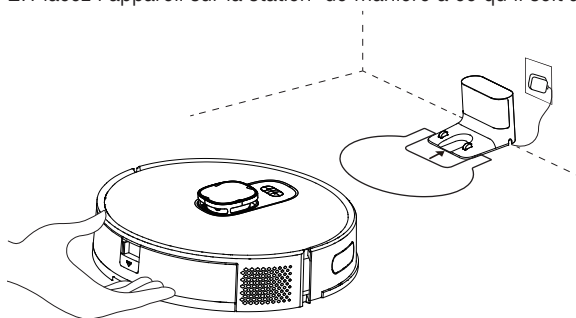
Cet appareil est destiné à un usage domestique et non à un usage industriel.

5.2 Charge de l'appareil

1. Mettez le bouton marche-arrêt situé sur le côté en position marche pour la mise sous tension initiale.



2. Placez l'appareil sur la station de manière à ce qu'il soit aligné avec le port de charge.



La charge commence lorsque le voyant bleu de la station de charge clignote 3 fois, puis s'éteint complètement.

5 Fonctionnement

5.3 Fonctionnement

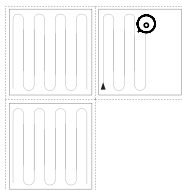
Pour le premier fonctionnement, amenez le bouton MARCHE/ARRÊT sur le côté de la position 0 à la position I. Pour mettre l'aspirateur en marche, appuyez sur le bouton pendant 3 secondes.

* N'éteignez pas l'appareil en utilisant directement le bouton MARCHE/ARRÊT pendant le nettoyage, sinon les données de l'aspirateur ne pourront pas être sauvegardées.

* Si le bouton MARCHE/ARRÊT est sur la position ARRÊT, l'aspirateur s'allume automatiquement lorsqu'il est placé sur la station de charge et s'éteint automatiquement lorsqu'il est retiré de la station de charge.

* Si l'aspirateur n'est pas utilisé pendant une longue période, mettez le bouton MARCHE/ARRÊT en position arrêt.

Commencer le nettoyage



Appuyez sur le bouton pour lancer le mode de nettoyage automatique. Au démarrage, l'aspirateur se retire de la station de charge, effectue un balayage automatique pour créer une carte, détermine l'itinéraire de nettoyage de manière intelligente et divise la zone en plusieurs régions. Le parcours de nettoyage est planifié le long du mur et l'aspirateur avance et recule pour nettoyer les différentes régions dans l'ordre.



AVERTISSEMENT : Si le niveau de charge est trop faible, le nettoyage ne peut pas être lancé. Veuillez charger l'appareil avant de commencer le nettoyage.



AVERTISSEMENT : Avant le nettoyage, rangez tous les câbles pour éviter les déconnexions dues à un enchevêtrement/une traction des câbles et pour éviter d'endommager le mobilier.



AVERTISSEMENT : En mode de nettoyage automatique, si la surface à nettoyer est inférieure à 10 mètres carrés, le nettoyage est effectué deux fois par défaut.



AVERTISSEMENT : Ne déplacez pas la station de charge pendant le nettoyage et assurez-vous que la station est branchée, sinon l'aspirateur risque de ne pas pouvoir revenir se recharger.

Pause

Appuyez sur n'importe quel bouton pour mettre l'opération en pause pendant le fonctionnement de l'aspirateur.

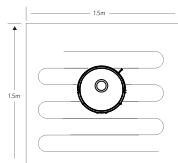
Chargement automatique: L'aspirateur revient automatiquement à la charge une fois le nettoyage terminé.

Chargement manuel: L'aspirateur robot retourne automatiquement au poste de charge lorsque vous appuyez sur le bouton "🏠" du corps supérieur lorsqu'il est en pause

5 Fonctionnement

- A. Si l'opération est en pause, appuyez sur le bouton pour une recharge automatique.
- B. Si l'aspirateur est coincé n'importe où et ne trouve pas la station de charge, veuillez déplacer vous-même l'aspirateur vers la station pour qu'il puisse être chargé.

Nettoyage du point fixe



Amenez l'aspirateur sur la zone à nettoyer et appuyez deux fois sur son bouton. Lorsque le mode est activé, l'aspirateur doit nettoyer une zone carrée de 1,5 x 1,5 m en se considérant comme le centre.

* L'aspirateur ne peut pas démarrer l'opération de nettoyage du point fixe depuis la station de charge.

Il ne peut pas démarrer l'opération de nettoyage de la station de charge. Une fois le nettoyage terminé, il ne retourne pas au poste de charge et reste dans sa position. Placez-le sur le socle de charge ou déplacez-le vers le socle de charge en appuyant sur le bouton "🏠" situé sur le corps supérieur.

Sélection de la puissance du vide

(Prise en charge uniquement avec l'application mobile correspondante) Vous pouvez sélectionner la puissance de nettoyage souhaitée à partir de l'application :

- Silence
- Standard
- Puissant
- Maximal

Nettoyage contrôlé à distance

(Prise en charge uniquement avec l'application mobile correspondante) *Vous pouvez diriger l'aspirateur vers la zone à nettoyer en utilisant le mode de commande manuelle via l'application.

Veille

L'aspirateur passe automatiquement en mode veille s'il reste immobile pendant 10 minutes. L'aspirateur passe automatiquement en mode veille 10 minutes après avoir été complètement rechargé. Le mode veille désactive la tâche en cours.

Réinitialisation du système

Pour la suppression du compte APP, le client peut appuyer sur le bouton «supprimer le produit et effacer le compte» sur l'APP pour supprimer toutes les données sur l'APP et le cloud comme les cartes, les historiques propres, la machine partagée, le mot de passe du compte WIFI... etc.

Appuyez sur le bouton du mode veille pendant 15 secondes pour réinitialiser le système. Lorsque le système est réinitialisé, la carte et les paramètres d'origine (y compris les limites virtuelles) de l'aspirateur sont supprimés.

5 Fonctionnement

5.3.1 Fonctionnement avec l'application

Télécharger l'application

Pour télécharger l'application, recherchez l'application "HomeDirect-SDA" dans le magasin d'applications mobiles. Consultez le manuel de l'application mobile pour obtenir des informations détaillées.

Réinitialiser le Wi-Fi

Maintenez les boutons enfoncés "ⓘ" "🏠" simultanément jusqu'à ce que l'avertissement sonore se fasse entendre ; ensuite, le voyant clignote lentement en couleur blanche et l'aspirateur passe en mode d'appairage.

Ajouter un appareil

Ouvrez l'application, créez un nouveau compte et suivez les instructions de l'application. * Avant de configurer le Wi-Fi, assurez-vous que l'aspirateur et le réseau Wi-Fi répondent aux exigences suivantes.

A. Aspirateur :

* Le niveau de charge de l'aspirateur doit être supérieur à 20 % ou l'aspirateur doit être placé sur la station de charge.

B. Réseau Wi-Fi:

- Obtenez le mot de passe correct du réseau sans fil.
- N'utilisez pas de VPN (Réseau Privé Virtuel).
- Le routeur Wi-Fi doit prendre en charge les protocoles 802.11b/g/n et IPv4.
- Le routeur doit être dans la bande de fréquence de 2,4GHz ou un routeur à double bande qui supporte la bande de 2,4GHz doit être utilisé. L'aspirateur ne supporte pas la bande de fréquence 5GHz.
- Si l'aspirateur ne peut pas se connecter au réseau Wi-Fi bi-bande 2,4/5GHz, veuillez sélectionner le réseau 2,4GHz pour les paramètres Wi-Fi. Vous pouvez revenir à l'autre bande de fréquences lorsque le réglage est terminé.
- Si vous vous connectez à un réseau caché, assurez-vous de saisir correctement le nom du réseau [SSID (sensible aux majuscules)] et de vous connecter à un réseau sans fil de 2,4 GHz.
- Si vous utilisez une extension de réseau sans fil, assurez-vous que le nom du réseau (SSID) et le mot de passe sont les mêmes que ceux du réseau principal.
- Pour connecter l'aspirateur au serveur d'applications, configurez le pare-feu et le port du routeur Wi-Fi selon les besoins.

5 Fonctionnement

Erreur de connexion Wi-Fi

Statut Wi-Fi	Cause profonde	Solution
La lumière blanche est allumée en continu.	L'aspirateur est connecté au routeur (modem), mais il ne peut pas se connecter au réseau.	<ul style="list-style-type: none">• Assurez-vous que le modem est connecté au réseau.• Contactez votre opérateur de réseau pour voir s'il y a un problème dans les données Internet.
La lumière blanche clignote rapidement	L'aspirateur ne peut pas se connecter au modem	<ul style="list-style-type: none">• Assurez-vous que le nom du réseau et le mot de passe ne sont pas modifiés.• Réinitialisez la connexion Wi-Fi, si nécessaire. Veuillez consulter la section "Réinitialisation du Wi-Fi" dans la partie "Téléchargement de l'Application et Réinitialisation du Wi-Fi" de ce manuel.
La lumière blanche clignote lentement.	Le Wi-Fi est réinitialisé ou n'est pas encore configuré.	<ul style="list-style-type: none">• Assurez-vous de la connexion Wi-Fi de l'aspirateur. Veuillez consulter le Manuel de l'Application Mobile pour des instructions détaillées. Réinitialisez la connexion Wi-Fi, si nécessaire. Veuillez vous reporter à la section "Réinitialisation du Wi-Fi" de ce manuel.

Exigences de sécurité du réseau:

* Utilisez les réseaux WPA et WPA2 à chiffrement TKIP, PSK et AES/CCMP.

4.3.2 Modes de fonctionnement

Gestion des Cartes

A. Cartographie des salles en temps réel

La création en temps réel d'un plan de la pièce peut vous aider à comprendre facilement l'itinéraire et l'environnement de nettoyage. Un plan de la salle est créé après le nettoyage. La carte est mise à jour en temps réel lors de chaque opération d'aspiration pour assurer une navigation normale. Pour créer un plan complet de la maison ;

5 Fonctionnement

- Ouvrez les portes de vos pièces pour que l'aspirateur crée une carte de chaque pièce ;
- Retirez tout objet susceptible d'obstruer ou de bloquer l'aspirateur ;
- Ne changez pas l'emplacement de la station de charge et ne la débranchez pas après la création de la carte.

B. Repositionnement et remappage

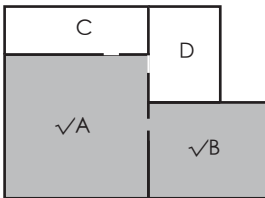
Si l'aspirateur est déplacé ou si des changements importants sont apportés à l'environnement, l'aspirateur essaie de se repositionner pour s'adapter au nouvel environnement et peut créer à nouveau la carte pertinente. Les détails sont les suivants:

- Si le repositionnement est réussi, l'aspirateur continue à nettoyer ;
- Si le repositionnement n'aboutit pas, l'aspirateur recrée la carte afin de garantir une navigation normale pour l'opération de nettoyage ;

- * Veillez à ce que l'aspirateur démarre toujours l'opération de nettoyage depuis la station de charge.
- * Ne déplacez pas fréquemment l'aspirateur pendant le nettoyage. S'il est déplacé, ramenez-le à sa position initiale.

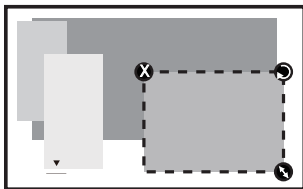
Mode de nettoyage de la pièce (Pris en charge uniquement par l'application mobile correspondante)

Vous pouvez spécifier les pièces que vous souhaitez nettoyer avec l'application mobile, puis l'aspirateur nettoie que la ou les pièces qui sont marquées dans la carte régionale sur l'application.



- L'aspirateur peut également pénétrer dans des zones autres que la zone sélectionnée après avoir commencé à nettoyer ; veuillez donc retirer les obstacles sur le sol autour de la zone sélectionnée. La sélection des zones ne fournit pas une isolation sûre.
- Le nettoyage régional ne peut être lancé qu'après que l'aspirateur ait réussi à créer une carte.

Mode de nettoyage régional (pris en charge uniquement par l'application mobile concernée)



Les dimensions de la région peuvent être déterminées en tenant depuis le coin inférieur droit. En attendant, les dimensions de la zone affichée sont écrites sur l'écran avec la ligne pointillée.

5 Fonctionnement

Sélectionnez le mode de nettoyage régional dans l'application, puis spécifiez une zone de nettoyage. L'aspirateur ne nettoie que la zone sélectionnée et retourne ensuite sur la station de charge.

* Le nettoyage régional ne peut être lancé qu'après que l'aspirateur ait réussi à créer une carte.



Consultez le manuel d'utilisation de l'application mobile pour obtenir des conseils d'utilisation détaillés.

5.4 Fonctionnement du balai à franges



AVERTISSEMENT : N'utilisez pas le mode "balayage humide" sur un tapis.



AVERTISSEMENT : Ne mettez pas d'eau de Javel ou de détergent dans le réservoir d'eau.



AVERTISSEMENT : Retirez l'unité de balayage humide lorsque l'aspirateur est en cours de chargement ou lorsqu'il n'est pas utilisé.

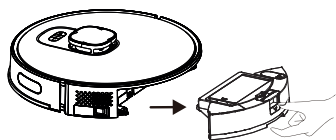


AVERTISSEMENT : Retirez l'unité de balayage humide immédiatement après la fin de l'opération de balayage humide pour éviter d'endommager vos sols en bois.

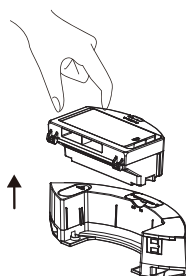


AVERTISSEMENT : L'aspirateur coupe automatiquement l'eau lorsque le balayage humide est interrompu ou terminé. Cependant, le balai à franges reste humide, il ne doit donc pas être conservé dans cet état pendant une longue période et doit être retiré sans délai.

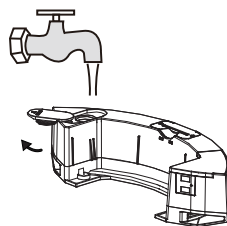
5.4.1 Installation de l'unité de balayage humide



Retirez le récipient à poussière et l'ensemble du réservoir d'eau (2 en 1).

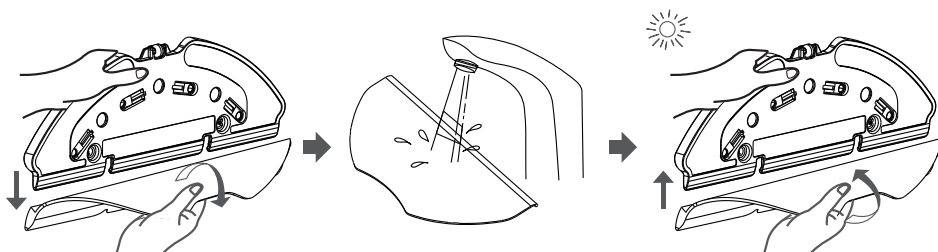


Retirez le récipient à poussière.



Retirez le bouchon en caoutchouc et ajoutez de l'eau dans le réservoir d'eau par l'entrée d'eau.

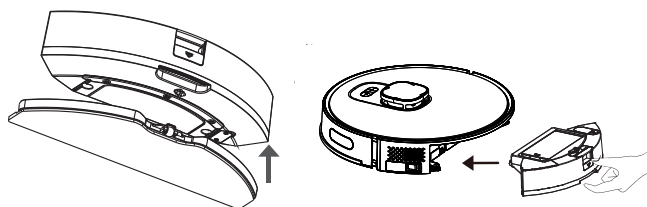
5 Fonctionnement



Retirez la serpillère sur le dispositif de retenue de la serpillère comme indiqué.

Humidifiez la serpillère avant chaque application.

Placez la serpillère sur le dispositif de retenue de la serpillère.



Installez le conteneur à poussière et l'ensemble du réservoir d'eau (2 en 1) dans le sens de la flèche.

Installez le récipient à poussière et l'ensemble du réservoir d'eau (deux en un) dans le sens de la flèche.

5.4.2 Réglage du balayage humide

Vous pouvez commencer l'opération de nettoyage en sélectionnant le mode de nettoyage et en réglant le niveau d'eau de balayage humide comme vous le souhaitez dans l'application.

* Il est conseillé d'ajouter un mur virtuel (zone interdite au balai à franges) à la zone du tapis sur l'application afin d'éloigner l'aspirateur du tapis et d'éviter que l'aspirateur robot ne mouille le tapis pendant l'opération de balayage humide.

6 Nettoyage et entretien

Éteignez l'appareil et débranchez-le avant de le nettoyer.



AVERTISSEMENT : N'utilisez jamais d'essence, de solvants, de nettoyants abrasifs, d'objets métalliques ou de brosses dures pour nettoyer l'appareil.

6.1 Nettoyage du récipient à poussière et des filtres



Vous pouvez appeler notre centre d'appels pour commander un nouveau filtre lorsque votre filtre atteint la fin de sa durée de vie prévue, est déformé ou doit être remplacé pour une raison particulière.

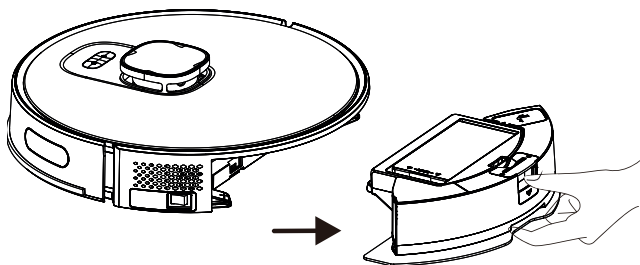


Pour obtenir des performances maximales avec le filtre HEPA, nettoyez-le à l'aide d'une brosse après chaque nettoyage.

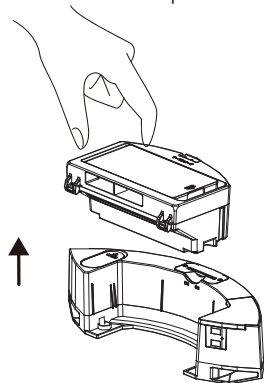
Le filtre HEPA (10) est un accessoire remplaçable.

Si vous avez effectué une opération de nettoyage dans un espace où il y a de la poussière de construction et de la poussière avec de très petites particules, remplacez votre filtre par un nouveau afin de ne pas subir une perte de performance.

1. Retirez le récipient à poussière et l'ensemble du réservoir d'eau (2 en 1) en appuyant sur le bouton comme indiqué ci-dessous.



2. Retirez le bac à poussière en le tirant dans le sens de la flèche.

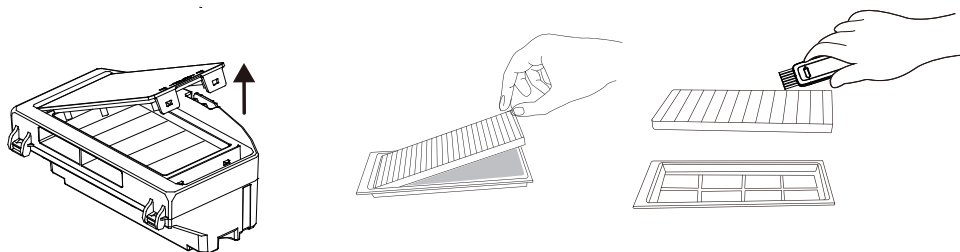


6 Nettoyage et entretien

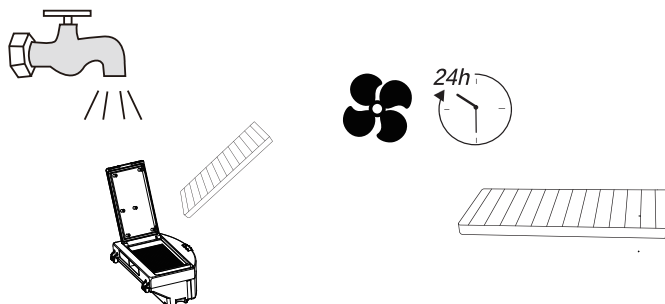
3. Ouvrez le conteneur à poussière comme indiqué ci-dessous. Approchez le récipient à poussière de la poubelle et retirez la poussière grossière en tapant légèrement sur le récipient.



4. Retirez le filtre haute performance et nettoyez-le à l'aide de la brosse de nettoyage fournie avec l'appareil.



5. Lavez périodiquement le réservoir d'eau, le conteneur à poussière et l'ensemble du filtre à l'**eau froide**, en fonction de la fréquence d'utilisation.



6 Nettoyage et entretien

6. Laissez sécher le réservoir d'eau, le conteneur à poussière et l'ensemble du filtre après le lavage, et assurez-vous qu'ils sont complètement secs.



Le séchage peut prendre de 24 à 48 heures.

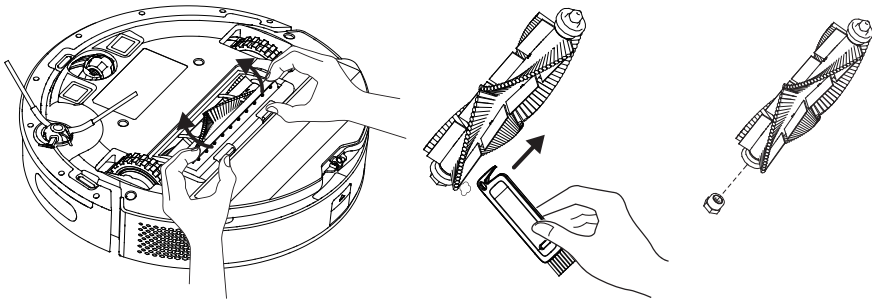
7. Assemblez le réservoir d'eau, le conteneur à poussière et l'ensemble du filtre après séchage à l'air, puis installez l'ensemble sur l'aspirateur.



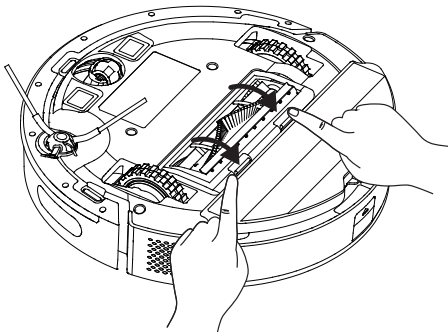
AVERTISSEMENT : Ne faites pas fonctionner l'aspirateur sans avoir installé le groupe de filtres. Sinon, l'appareil risque d'être endommagé.

6.2 Nettoyage de la brosse

1. Ouvrez le couvercle supérieur de la brosse principale en appuyant sur les languettes. Tirez et retirez le rouleau principal vers le haut. Retirez les cheveux emmêlés sur la brosse de nettoyage avec l'extrémité coupante, et enlevez la poussière sur les poils de la brosse et le rouleau.

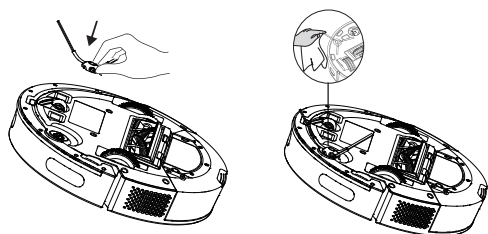


2. Remettez la brosse en place après l'avoir nettoyée et refermez le couvercle dans le sens de la flèche.



6 Nettoyage et entretien

6.3 Nettoyage et installation de la brosse latérale



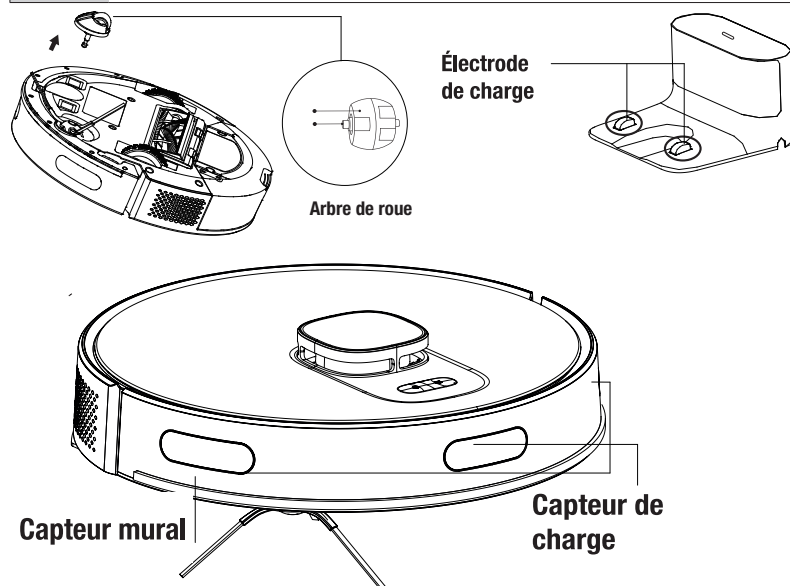
Après une utilisation prolongée, lavez la brosse latérale à l'eau chaude afin d'en éliminer toute déformation. Installez-la sur le robot tel qu'illustré après qu'elle a séché.

6.4 Nettoyage des capteurs

Nettoyez régulièrement les capteurs et enlevez la poussière à l'aide d'un chiffon sec et doux ou d'une brosse de nettoyage.

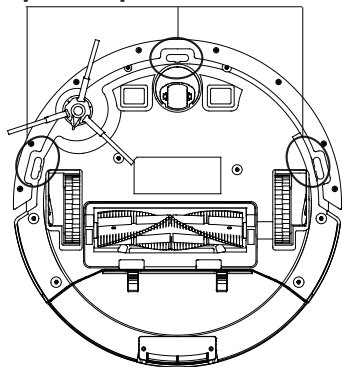


Vous recevez une notification via l'application lorsque le nettoyage du capteur est nécessaire.



6 Nettoyage et entretien

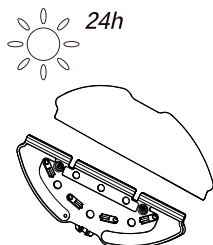
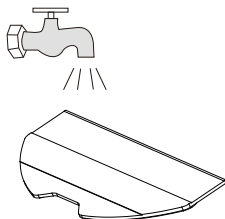
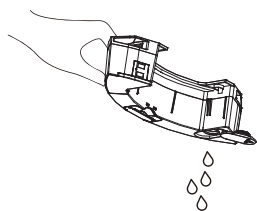
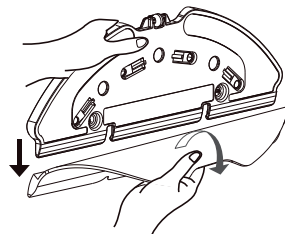
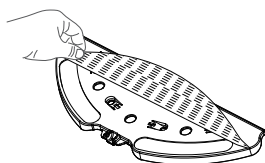
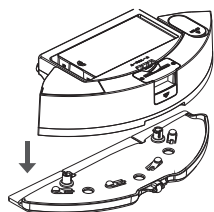
Capteur de prévention des chutes



6.5 Nettoyage de l'unité de balayage humide

Nous vous recommandons de retirer le support du balai à franges d'un côté, de vider le réservoir d'eau, de rincer le balai à franges à l'eau, puis de le laisser sécher après chaque utilisation de l'appareil.

Vous pouvez laver le balai dans une machine à laver.



7 Dépannage

Conditions Générales d'Erreur

Échec	Cause et remède
Ne peut être utilisé	<ol style="list-style-type: none">1. Le niveau de charge est faible. Placez l'aspirateur sur la station de charge ou la station de manière à ce qu'il soit aligné avec les pôles de charge. Amenez le bouton situé à gauche de l'aspirateur sur la position "I" ; l'aspirateur fonctionnera automatiquement (lorsque l'aspirateur est complètement déchargé, vous devrez le recharger pendant un certain temps pour qu'il fonctionne automatiquement).2. La température ambiante est très basse (inférieure à 0 °C) ou très élevée (supérieure à 50 °C). Veuillez utiliser l'aspirateur à une température ambiante de 0 à 40 °C.3. Veillez à ce que le bouton marche/arrêt situé sur le côté de l'aspirateur soit en position "I".
Batterie non chargée	<ol style="list-style-type: none">1. Veuillez retirer l'aspirateur et vérifier si le témoin lumineux de la station de charge ou de la station est allumé et assurez-vous que les deux extrémités de l'adaptateur d'alimentation de la station de charge sont connectées.2. Contact défectueux. Veuillez nettoyer les contacts à ressort de la station de charge et les contacts de charge de l'aspirateur.3. Veillez à ce que le bouton marche/arrêt situé sur le côté de l'aspirateur soit en position "I".
Ne retourne pas à la station d'accueil pour se recharger.	<ol style="list-style-type: none">1. Il y a trop d'obstacles autour de la station de charge ou de la station . Veuillez placer la station de charge ou la station dans une zone libre d'obstacles.2. L'aspirateur est trop éloigné de la station de charge ou de la station . Rapprochez l'aspirateur de la station de charge ou de la station et réessayez.3. Assurez-vous que le socle de charge est branché et qu'il est alimenté.
Fonctionnement anormal	<ol style="list-style-type: none">1. Éteignez et rallumez.
Fonctionne avec un bruit anormal.	<ol style="list-style-type: none">1. Des matières étrangères peuvent avoir pénétré dans la brosse principale, les brosses latérales et les roues. Veuillez éteindre l'aspirateur et le nettoyer.
Les performances de nettoyage sont faibles / il y a des fuites de poussière	<ol style="list-style-type: none">1. Le conteneur à poussière est plein. Veuillez nettoyer le conteneur à poussière.2. Le filtre est bouché. Veuillez nettoyer ou remplacer le filtre.3. Des matières étrangères peuvent avoir pénétré dans la brosse principale. Veuillez nettoyer la brosse principale.

7 Dépannage

Impossible de se connecter au réseau Wi-Fi.	<ol style="list-style-type: none">1. Le signal Wi-Fi est faible. Assurez-vous que le signal Wi-Fi à l'endroit où se trouve l'aspirateur est puissant.2. Il y a une condition anormale dans la connexion Wi-Fi. Veuillez réinitialiser le Wi-Fi, télécharger la dernière application mobile et réessayer.3. Le mot de passe n'a pas été saisi correctement.4. Le routeur utilisé est un modèle qui fonctionne dans la bande de fréquence 5G (cet aspirateur robot prend en charge la bande de fréquence 2,4G uniquement).
La fonction de nettoyage programmé ne fonctionne pas	Le niveau de charge est faible. Le nettoyage programmé ne peut être lancé que lorsque le niveau de charge est $\geq 20\%$.
L'aspirateur consomme de l'énergie lorsqu'il est dans la station de charge.	L'aspirateur consomme très peu d'énergie lorsqu'il se trouve dans la station de charge cette caractéristique permet de maintenir les performances de la batterie à un niveau optimal.
L'aspirateur doit être rechargé pendant 16 heures au cours des trois premières opérations de charge.	La batterie au lithium n'a pas d'effet mémoire lorsqu'elle est utilisée et aucun temps d'attente n'est nécessaire lorsqu'elle est complètement chargée.

Liste des Défaillances

Lorsque l'aspirateur présente une défaillance, le voyant rouge de l'aspirateur clignote et un signal sonore correspondant retentit simultanément. Suivez les instructions sonores pour résoudre le problème.

Avertissement Sonore	Solution
Erreur 1: La batterie est anormale. Veuillez vous référer au manuel ou à l'application.	<ul style="list-style-type: none">• Veuillez ouvrir le compartiment de la batterie, vérifier si la connexion de la batterie est correcte et redémarrer l'aspirateur.• La température de la batterie est très élevée ou très basse. Attendez que la température de la batterie atteigne les valeurs normales (0 °C~40 °C/32 °F~104 °F).
Erreur 2: Le module de roue est anormal. Veuillez vous référer au manuel ou à l'application.	<ul style="list-style-type: none">• Veuillez vérifier qu'aucun corps étranger n'est coincé dans les roues et redémarrez l'aspirateur.
Erreur 3: Le module de brosse latérale est anormal. Veuillez vous référer au manuel ou à l'application.	<ul style="list-style-type: none">• Vérifiez qu'aucun corps étranger n'est coincé dans la brosse latérale et redémarrez l'aspirateur.

7 Dépannage

Erreur 4: Le ventilateur est anormal. Veuillez vous référer au manuel ou à l'application.	<ul style="list-style-type: none">• Veuillez vérifier qu'aucun corps étranger n'est coincé dans l'orifice du ventilateur et redémarrer l'aspiration.• Veuillez vérifier le bac à poussière et le filtre, et redémarrer l'aspirateur.
Erreur 5: La brosse rotative est anormale. Veuillez vous référer au manuel ou à l'application.	<ul style="list-style-type: none">• Veuillez retirer la brosse rotative, et nettoyer la brosse rotative, la partie de connexion de la brosse, le couvercle de la brosse rotative et la buse à poussière. Redémarrez l'aspirateur après le nettoyage.
Erreur 6: La pompe à eau est anormale. Veuillez vous référer au manuel ou à l'application.	<ul style="list-style-type: none">• Veuillez nettoyer le réservoir d'eau, les connexions de la pompe à eau dans le réservoir et l'appareil et la sortie d'eau sous l'aspirateur et vérifier le module de balayage humide. Veuillez essayer de redémarrer l'aspirateur après le nettoyage.
Erreur 7: Le capteur laser est anormal. Veuillez vous référer au manuel ou à l'application.	<ul style="list-style-type: none">• Veuillez vérifier l'absence de corps étrangers à l'intérieur du capteur laser, nettoyez-les si nécessaire et redémarrez l'aspirateur.
Erreur 9: L'opération de chargement est anormale. Veuillez nettoyer la zone de contact de la charge.	<ul style="list-style-type: none">• Veuillez vérifier l'absence de contamination dans la zone de charge et nettoyer les pôles de charge.• Veuillez vérifier si la batterie est correctement connectée.
Erreur 10: L'aspirateur est anormal. Veuillez éteindre et redémarrer à nouveau.	<ul style="list-style-type: none">• Veuillez mettre le bouton principal en position 0 et le remettre en position I et redémarrer l'aspirateur.
Erreur 12: La performance est anormale. Veuillez vous assurer que le bouton principal est allumé.	<ul style="list-style-type: none">• Veuillez mettre le bouton principal en position I

Si prega di leggere questa guida prima dell'uso!

Gentile Cliente,

Grazie per aver scelto un prodotto BEKO. Vorremmo che da questo prodotto di alta qualità fabbricato con tecnologia all'avanguardia ottenessi l'efficienza ottimale. Prima dell'uso assicurati di aver letto e compreso a fondo questa guida e la documentazione supplementare e conservale come riferimento. Fornisci questa guida con l'unità se la consegni a qualcun altro. Osserva tutte le avvertenze e le informazioni qui contenute e segui le istruzioni.

Simboli e loro significati

In questa guida sono stato utilizzati i seguenti simboli:



Informazioni importanti e consigli utili sull'uso del dispositivo.



AVVERTENZA: Avvertenze relative a situazioni pericolose per la vita delle persone e l'integrità delle cose.



Classe di protezione contro le scosse elettriche.



CARTA RICICLATA E
RICICLABILE

1 Importanti istruzioni di sicurezza e ambientali

Questa sezione contiene istruzioni di sicurezza per prevenire pericoli che possono provocare lesioni o danni materiali.

Qualsiasi garanzia è nulla se queste istruzioni non vengono seguite.

1.1 Norme di sicurezza generali

- Questo elettrodomestico è conforme alle norme di sicurezza internazionali.
- Questo dispositivo può essere utilizzato da bambini di età superiore a 8 anni, persone con problemi fisici, uditivi o mentali o persone con mancanza di esperienza o conoscenza; purché ne sia garantito il controllo o vengano fornite informazioni sull'uso sicuro del dispositivo e sui pericoli connessi. I bambini non devono giocare con l'apparecchiatura. La pulizia e la manutenzione non devono essere eseguiti dai bambini non sorvegliati.
- Non utilizzare l'elettrodomestico se il cavo di alimentazione o l'elettrodomestico stesso sono danneggiati. Contattare un servizio autorizzato.
- L'alimentazione di rete deve essere in linea con le informazioni specificate sulla targhetta di identificazione dell'elettrodomestico.
- Non usare l'elettrodomestico con una prolunga.
- Per evitare di danneggiare il cavo di alimentazione, evitare che venga pizzicato, piegato o sfregato contro bordi taglienti.
- Non toccare la spina dell'elettrodomestico se le mani sono bagnate o umide, quando l'elettrodomestico è collegato.
- Non tirare il cavo mentre si scollega l'elettrodomestico.
- Non aspirare materiali infiammabili e assicurarsi che la cenere delle sigarette sia raffreddata prima di aspirarla.
- Non aspirare acqua e altri liquidi.

1 Importanti istruzioni di sicurezza e ambientali

- Proteggere l'elettrodomestico da pioggia, umidità e fonti di calore.
- Non utilizzare l'elettrodomestico in ambienti e sostanze esplosive o infiammabili o nelle loro vicinanze.
- Scollegare l'elettrodomestico prima della pulizia e della manutenzione.
- Non immergere l'elettrodomestico o il suo cavo di alimentazione in acqua per la pulizia.
- Non smontare l'elettrodomestico.
- Servirsi unicamente di ricambi originali o consigliati dal produttore.
- Per evitare il blocco del filtro o danni al motore, non aspirare cemento, gesso o frammenti di carta compressa.
- Utilizzare l'elettrodomestico solo con l'adattatore in dotazione.
- Non utilizzare l'elettrodomestico senza filtri, altrimenti potrebbe danneggiarsi.
- Se si conserva il materiale d'imballaggio, tenerlo fuori dal portata dei bambini.
- Questo elettrodomestico non è destinato ad essere utilizzato da persone, compresi i bambini, con disabilità fisiche, sensoriali e mentali o da coloro che non hanno un'adeguata esperienza e conoscenza del suo utilizzo, a meno che non siano sotto la sorveglianza di una persona responsabile della loro sicurezza o siano informati sul funzionamento dell'elettrodomestico stesso.
- I bambini dovranno essere sorvegliati per evitare che giochino con l'elettrodomestico.
- Scollegare l'adattatore e rimuovere il pacco batterie prima di qualsiasi procedura di pulizia o manutenzione.
- Per evitare qualsiasi rischio e pericolo, un eventuale adattatore danneggiato dovrà essere sostituito dal produttore, dal rappresentante autorizzato del produttore o da un tecnico altrettanto qualificato.

1 Importanti istruzioni di sicurezza e ambientali

- Durante l'aspirazione, tenere le dita, i capelli e i vestiti larghi lontano dalle parti in movimento o dagli spazi liberi.
- Prima di eliminare l'elettrodomestico le batterie dovranno essere rimosse.
- Prima di rimuovere la batteria, scollegare l'elettrodomestico dalla fonte di alimentazione.
- Smaltire le batterie usate in conformità con le leggi e i regolamenti locali.
- Le batterie incluse in questo elettrodomestico potranno essere sostituite solo da servizi assistenza autorizzati.
- Non utilizzare batterie di tipo diverso o batterie vecchie e nuove insieme.
- Le batterie dovranno essere installate con la corretta disposizione polare.
- Non cortocircuitare i terminali di alimentazione.
- Dovrà essere usato solo con batterie ME1XXFG CM 3200 mAh.
- Questo elettrodomestico non dovrà essere azionato da bambini e da persone con capacità fisiche, sensoriali e cognitive limitate o da persone con mancanza di esperienza e conoscenza, a meno che non siano sorvegliate o abbiano ricevuto le relative istruzioni.
- I bambini dovranno essere sorvegliati per evitare che giochino con l'elettrodomestico.
- Non mettere nessun oggetto sull'elettrodomestico.
- Non far funzionare l'elettrodomestico su piani elevati come un tavolo o una sedia.
- Questo prodotto non è progettato per l'uso commerciale, è destinato all'uso in casa e in applicazioni simili come specificato qui di seguito:
 - Nelle cucine del personale dei negozi, negli uffici e in altri ambienti di lavoro,
 - Nelle fattorie,

1 Importanti istruzioni di sicurezza e ambientali

- Negli hotel, da clienti, all'interno di motel e altri ambienti residenziali;
 - In ostelli o ambienti simili.
 - Luoghi di riposo e ambienti per la prima colazione
- Non mettere nessun oggetto sull'elettrodomestico. Accertarsi che i bambini e gli animali domestici non salgano sull'apparecchio.

1.2 Conformità con i regolamento WEEE e smaltimento dei rifiuti



Questo apparecchio è conforme alla Direttiva UE WEEE (2012/19/EU). Questo apparecchio riporta il simbolo di classificazione per i rifiuti delle apparecchiature elettriche ed elettroniche (WEEE). Questo simbolo indica che questo prodotto non deve essere smaltito con altri rifiuti domestici al termine della sua vita utile. Il dispositivo usato deve essere portato a un punto di raccolta ufficiale per il riciclaggio di dispositivi elettrici ed elettronici. Per individuare questi punti di raccolta, contattare le proprie autorità locali oppure il rivenditore presso cui è stato acquistato il prodotto. Ciascuna famiglia ha un ruolo importante nel recupero e riciclaggio di vecchi apparecchi. Lo smaltimento appropriato degli apparecchi usati aiuta a prevenire potenziali conseguenze negative per l'ambiente e la salute umana.

1.3 Informazioni sull'imballaggio



L'imballaggio del prodotto è realizzato con materiali riciclabili, in conformità con la legislazione nazionale.

Non smaltire i rifiuti di imballaggio con i rifiuti domestici o altri rifiuti, smaltirli nelle aree di raccolta degli imballaggi specificate dalle autorità locali.

1.4 Batterie esauste

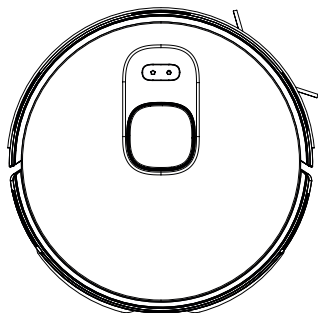


Assicurarsi che le batterie esauste vengano smaltite in conformità alle leggi e ai regolamenti locali. Il simbolo sulla batteria e sull'imballaggio indica che la batteria consegnata con il prodotto non deve essere considerata un rifiuto domestico. In alcune regioni, questo simbolo potrebbe essere usato in combinazione con un simbolo chimico. Se le batterie contengono più dello 0,0005% di mercurio e più dello 0,004% di piombo, il simbolo chimico Hg per il mercurio e il simbolo chimico Pb per il piombo sono aggiunti sotto il simbolo. Assicurandosi che le batterie siano smaltite correttamente, si contribuirà alla prevenzione di potenziali danni all'ambiente e alla salute umana dovuti allo smaltimento improprio delle batterie.

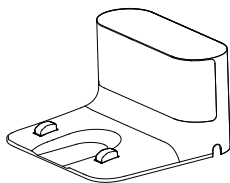
1.5 Cosa fare per risparmiare energia

- Quando si utilizza l'apparecchiatura, regolare le impostazioni della velocità in base alla superficie, al fine di risparmiare energia.
- Normalmente, le velocità più basse sono usate quando si puliscono le superfici dure, mentre le alte velocità sono usate per pulire i tappeti.

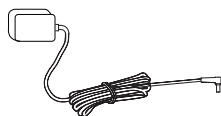
2 Contenuto della scatola



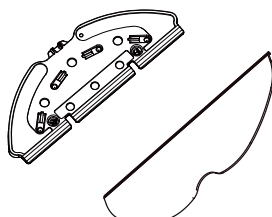
Robot aspirapolvere



Stazione di ricarica



Adattatore di ricarica

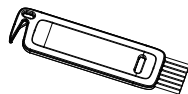


Strumento per la pulizia

Panno per la pulizia



Manuale utente e documentazione del prodotto (2 pezzi)

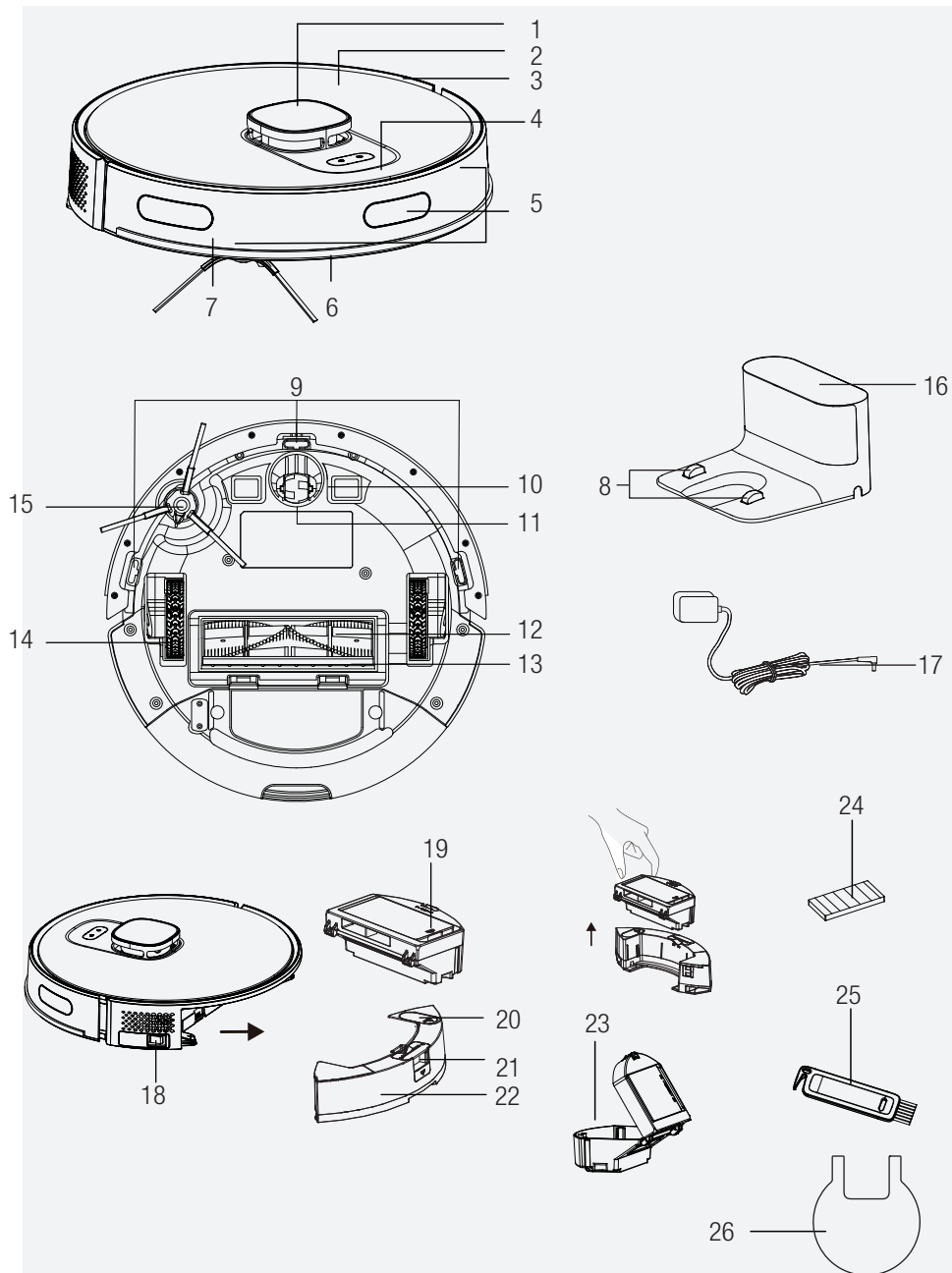


Spazzolino per la pulizia

Accessori di ricambio in dotazione

	1 Spazzola laterale
	1 Panno per la pulizia
	1 filtro

3 Panoramica



3 Panoramica

2.1 Controlli e componenti

1. Lidar
2. Corpo superiore
3. Corpo centrale
4. Pulsante Avvia pulizia-Pausa / Pulsante di invio al Supporto di ricarica
5. Sensore paraurti
6. Paraurti anteriore
7. Sensore contatto paraurti anteriore
8. Perni di ricarica
9. Sensore di prevenzione delle cadute
10. Perni di ricarica
11. Ruota girevole anteriore
12. Spazzola rotante
13. Coperchio della spazzola rotante
14. Ruota posteriore
15. Spazzola laterale
16. Stazione di ricarica
17. Adattatore di ricarica
18. Pulsante On/Off
19. Coperchio di apertura del filtro EPA del contenitore dell'aspirapolvere del robot
20. Coperchio di riempimento del contenitore dell'acqua del mocio
21. Pulsante di espulsione del contenitore della polvere del robot sottovuoto
22. Contenitore dell'acqua del mocio
23. Spia
24. Filtro EPA
25. Spazzolino per la pulizia
26. Tampone di protezione del pavimento dall'umidità

2.2 Dati tecnici

Tensione dell'adattatore	100-240V~, 50-60 Hz
Uscita adattatore	24.0V / 1.0 A
Batteria	Li-ion: 14.4V / 3.2 Ah
Tempo di ricarica	4-5 ore
Tempo di funzionamento	Fino a 150 minuti (in posizione muto)
Capacità del contenitore della polvere	0.4 L
Capacità del serbatoio dell'acqua	0.3 L
Gamma di frequenza Wi-Fi 2,4 G	2412-2472 MHz
Connessioni supportate	WLAN IEEE 802.11 b/g/n senza fili
massima potenza di uscita RF 2,4 G Wi-Fi	20 dBm
Informazioni sull'esposizione alle radiofrequenze	2.4G Wi-Fi massimo
Tempo di funzionamento	Massimo: 70 Min Potente: 80 Min Standard: 120 Min Silenzioso: 150 Min

Informazioni sull'esposizione alle radiofrequenze:

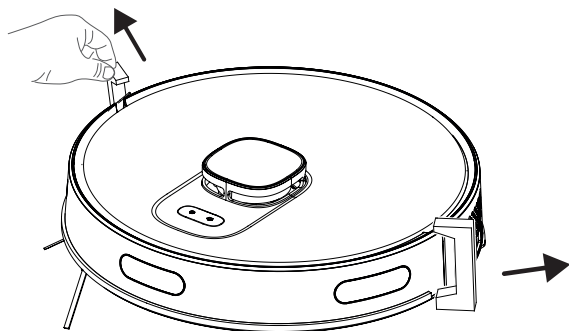
Il livello massimo di esposizione consentito è calcolato in base alla distanza di 20 cm tra l'elettrodomestico e il corpo umano. Per rispettare la condizione di esposizione RF, tra l'elettrodomestico e la persona dovrebbe essere creata una distanza di 20 cm.

3 Panoramica

Produttore	E-TEK Electronics Manufactory Co., LTD
ID modello:	ZD024D240100EU
Tensione in ingresso:	100-240V~
Frequenza in ingresso	50-60Hz
Corrente in ingresso	0.8A
Tensione in uscita	24.0V DC
Corrente di uscita	1.0A
Potenza in uscita:	24.0W
Efficienza attiva media	87.91%
Efficienza a basso carico (10%)	84.01%
Consumo di energia a vuoto:	0.1W

4 Installazione

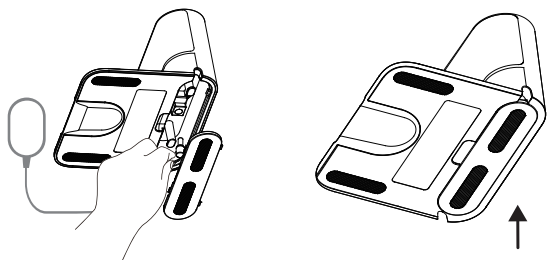
1- Rimuovere le spugne protettive.



4 Installazione

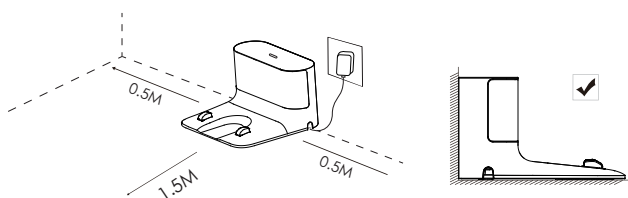
2-Installare la stazione di ricarica.

Installare la spina dell'adattatore alla stazione di ricarica e sistemare i cavi al fine di evitare che il cavo dell'adattatore si avvolga intorno alla macchina mentre sono in corso le operazioni di aspirazione.



Installare la stazione di ricarica in una posizione in cui sia facilmente accessibile dall'aspirapolvere. Installare la stazione di ricarica su un terreno rigido e piano piuttosto che su un tappeto.

Per garantire un funzionamento regolare del robot, fare in modo che non vi siano ostacoli entro 1,5 m sul davanti ed entro 0,5 m sui lati destro e sinistro.



Installare la stazione di ricarica su un terreno duro e piano in modo che la sua parte posteriore sia rivolta verso il muro e poi collegarla.



Tenere sempre collegata la stazione di ricarica, altrimenti l'aspirapolvere non può tornare in posizione in modo automatico.



Per un funzionamento regolare della ricarica, non spostare frequentemente la stazione. Il cambio della posizione dell'aspirapolvere potrebbe cancellare la mappa disponibile e crearne una nuova a causa dell'errore di posizionamento.

5 Funzionamento



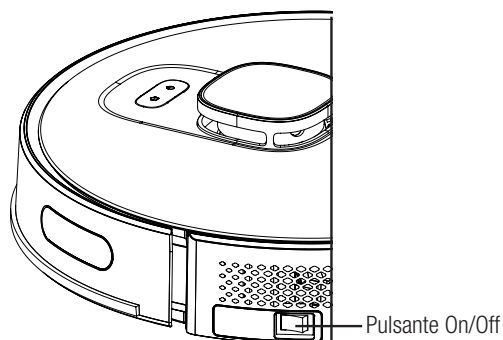
Si prega di caricare la macchina prima del primo utilizzo.

5.1 Uso previsto

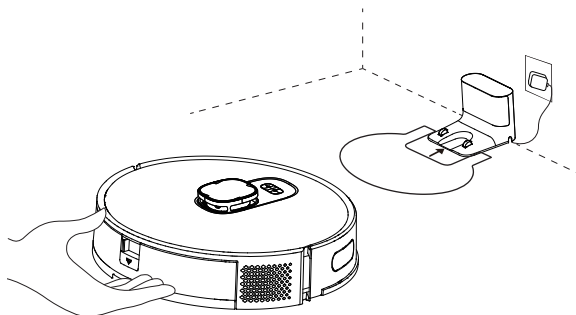
Questo elettrodomestico è destinato all'uso domestico, non è adatto all'uso industriale.

5.2 Ricarica dell'elettrodomestico

1. Per l'accensione iniziale portare il pulsante on-off sul lato in posizione on.



2. Posizionare l'elettrodomestico sulla stazione in modo che sia allineato con la porta di ricarica.



La ricarica inizia dopo che l'indicatore blu della stazione di ricarica lampeggia 3 volte e poi si spegne completamente.

5 Funzionamento

5.3 Funzionamento

Per il primo funzionamento, portare il pulsante ON/OFF sul lato da 0 a I. Per accendere l'aspirapolvere, premere il pulsante

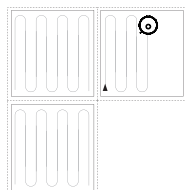
per 3 secondi.

* Non spegnere l'elettrodomestico con il pulsante ON/OFF durante la pulizia, altrimenti i dati dell'aspirapolvere non potranno essere salvati.

* Se il pulsante ON/OFF è sulla posizione OFF, l'aspirapolvere si accenderà automaticamente quando viene posizionato sulla stazione di ricarica e si spegnerà automaticamente quando viene rimosso.

* Se l'aspirapolvere non viene utilizzato per un lungo periodo di tempo, portare il pulsante ON/OFF in posizione off.

Avvio della pulizia



Premere il pulsante per avviare la modalità di pulizia automatica. Quando viene avviato, l'aspirapolvere viene rimosso dalla stazione di ricarica, esegue una scansione automatica per creare una mappa, determina il percorso di pulizia in modo intelligente e divide l'area in diverse regioni. Il percorso di pulizia è pianificato lungo la parete e l'aspirapolvere si muove avanti e indietro per pulire diverse regioni in ordine.



AVVERTENZA: La pulizia non può essere avviata se il livello di carica è troppo basso. Si prega di ricaricare l'elettrodomestico prima di iniziare la pulizia.



AVVERTENZA: Prima della pulizia, riordinare tutti i cavi per evitare disconnessioni dovute all'impigliamento/tiraggio dei cavi e per evitare danni ai mobili.



AVVERTENZA: Nella modalità di pulizia automatica, se l'area da pulire è inferiore a 10 metri quadrati, per impostazione predefinita la pulizia viene eseguita due volte.



AVVERTENZA: Durante la pulizia, non spostare il dock di ricarica o la stazione e assicurarsi che il dock o la stazione siano collegati, altrimenti l'aspirapolvere potrebbe non essere in grado di tornare in posizione per la ricarica.

5 Funzionamento

Mettere in pausa

Per interrompere il funzionamento mentre l'aspirapolvere è in funzione, premere un pulsante qualsiasi.

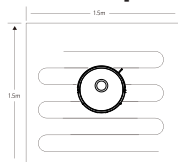
Ricarica automatica L'aspirapolvere torna automaticamente a ricaricarsi al termine della pulizia.

Ricarica manuale: Il robot aspirapolvere ritorna automaticamente alla stazione di ricarica quando viene premuto il pulsante “🏠” sulla parte superiore del corpo quando è in posizione di pausa.

A. Se il funzionamento è in pausa, premere il pulsante per ricaricare automaticamente.

B. Se l'aspirapolvere è impigliato da qualche parte e non riesce a trovare il dock di ricarica, si prega di spostare l'aspirapolvere nella stazione per permettergli di essere ricaricato.

Pulizia a punto fisso



Portare l'aspirapolvere sull'area da pulire e premere due volte il suo pulsante. Quando la modalità è attivata, l'aspirapolvere pulirà un'area quadrata di 1,5 x 1,5 m considerando il dispositivo stesso come centro.

* L'aspirapolvere non può avviare la pulizia a punto fisso dal dock di ricarica o dalla stazione .

Non può avviare l'operazione di pulizia puntuale dalla stazione di ricarica o dalla stazione . Quando la pulizia del punto è completata, non ritorna alla stazione di ricarica e resta nella sua posizione. Portarlo alla base di ricarica o spostarlo alla base di ricarica premendo il pulsante “🏠” sulla parte superiore del corpo.

Selezione della potenza dell'aspirazione

(Possibile solo con la relativa applicazione mobile) È possibile selezionare la potenza di pulizia desiderata dall'applicazione:

- * Leggera
- * Standard
- * Potente
- * Massima

Pulizia telecomandata

(Possibile solo con la relativa applicazione mobile) *È possibile dirigere l'aspirapolvere verso l'area da pulire utilizzando la modalità di controllo manuale a distanza attraverso l'applicazione.

Modalità sleep

L'aspirapolvere passa automaticamente alla modalità sleep se rimane fermo per 10 minuti. L'aspirapolvere passa automaticamente alla modalità sleep 10 minuti dopo essere stato completamente ricaricato. La modalità sleep disattiva l'attività corrente.

5 Funzionamento

Reset del sistema

Per l'eliminazione dell'account APP, il cliente può premere il pulsante "rimuovi il prodotto e cancella l'account" sull'APP per eliminare tutti i dati sull'APP e sul cloud come mappe, cronologie di pulizia, macchina condivisa, password dell'account WIFI ... ecc.

Per resettare il sistema premere il pulsante della modalità stand-by per 15 secondi. Quando il sistema viene resettato, la mappa e le impostazioni originali (compresi i limiti virtuali) sull'aspirapolvere vengono cancellate.

5.3.1 Funzionamento con l'applicazione

Download dell'applicazione

Per scaricare l'applicazione, cercare l'applicazione "HomeDirect-SDA" nell'app store delle applicazioni mobili. Consultare il manuale delle applicazioni mobili per informazioni dettagliate.

Reset del Wi-Fi

Tenere premuti "ⓘ" "🏠" contemporaneamente i pulsanti fino a quando si sente l'avviso acustico; l'indicatore lampeggia quindi lentamente in colore bianco e l'aspirapolvere passa alla modalità di abbinamento.

Aggiungere un dispositivo

Aprire l'applicazione, creare un nuovo account e seguire le istruzioni dell'applicazione. * Prima di impostare il Wi-Fi, assicurarsi che l'aspirapolvere e la rete Wi-Fi soddisfino i seguenti requisiti.

A. Aspirapolvere:

* Il livello di ricarica dell'aspirapolvere dovrà essere superiore al 20% o l'aspirapolvere dovrà essere posizionato sulla base di ricarica.

B. Rete Wi-Fi:

- Ottenere la password corretta della rete wireless.
- Non usare nessuna VPN (Virtual Private Network).
- Il router Wi-Fi deve supportare i protocolli 802.11b/g/n e IPv4.
- Il router dovrà essere nella banda di frequenza 2,4 GHz o dovrà essere usato un router dual-band che supporti la banda 2,4 GHz. L'aspirapolvere non supporta la banda di frequenza 5 GHz.

5 Funzionamento

- Se l'aspirapolvere non può connettersi alla rete Wi-Fi dual-band 2,4/5GHz, per le configurazioni del Wi-Fi selezionare la rete 2,4 GHz. Al termine della configurazione si potrà tornare all'altra banda di frequenza.
- Se ci si sta collegando a una rete nascosta, assicurarsi di inserire correttamente il nome della rete [SSID (sensibile alla maiuscola)] e di essere collegati a una rete wireless a 2,4 GHz.
- Se si sta usando un estensore di rete wireless, assicurarsi che il nome della rete (SSID) e la password siano gli stessi della rete principale.
- Per collegare l'aspirapolvere al server delle applicazioni, configurare il firewall e la porta del router Wi-Fi come richiesto.

Errore di connessione Wi-Fi

Stato del Wi-Fi	Causa principale	Soluzione
La luce bianca si illumina continuamente.	L'aspirapolvere è collegato al router (modem), ma non può collegarsi alla rete.	<ul style="list-style-type: none">• Assicurarsi che il modem sia collegato alla rete.• Contattare il proprio operatore di rete per vedere se c'è un problema nei dati internet.
La luce bianca lampeggia rapidamente	L'aspirapolvere non può collegarsi al modem	<ul style="list-style-type: none">• Assicurarsi che il nome della rete e la password non siano cambiati.• Resettare il collegamento con il Wi-Fi, se necessario. Fare riferimento alla sezione "Reset del Wi-Fi" nella parte "Download dell'applicazione e reset del Wi-Fi" di questo manuale.
La luce bianca lampeggia lentamente.	Il Wi-Fi è resettato o non ancora configurato.	<ul style="list-style-type: none">• Verificare il collegamento Wi-Fi dell'aspirapolvere. Consultare il manuale delle applicazioni mobili per istruzioni dettagliate. Resettare il collegamento con il Wi-Fi, se necessario. Fare riferimento alla sezione "Reset del Wi-Fi" di questo manuale

5 Funzionamento

Requisiti di sicurezza della rete:

* Utilizzare le reti WPA e WPA2 criptate, TKIP, PSK e AES/CCMP.

5.3.2 Modalità di funzionamento

Gestione delle mappe

A. Mappatura della stanza in tempo reale

La creazione in tempo reale di una mappa della stanza potrà aiutare a capire facilmente il percorso di pulizia e l'ambiente di pulizia. Una mappa della stanza viene creata dopo la pulizia. Per garantire una navigazione normale, la mappa viene aggiornata in tempo reale durante ogni operazione di aspirazione. Per creare una mappa completa della casa;

- Apri le porte delle stanze per fare in modo che l'aspirapolvere crei una mappa di ogni stanza;
- Rimuovere qualsiasi oggetto che possa causare un'ostruzione o un blocco dell'aspirapolvere;
- Non cambiare la posizione del dock di ricarica e non scollegarlo dopo che la mappa è stata creata.

B. Riposizionamento e rimappatura

Se l'aspirapolvere viene riposizionato o vengono apportati cambiamenti significativi nell'ambiente, l'aspirapolvere cerca di riposizionarsi per adattarsi al nuovo ambiente e può creare di nuovo la relativa mappa. I dettagli sono i seguenti:

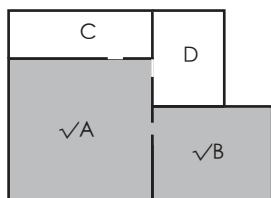
- Se il riposizionamento è riuscito, l'aspirapolvere continua a pulire;
- Se il riposizionamento non è riuscito, l'aspirapolvere ricrea la mappa per garantire una navigazione normale per la pulizia;

* Assicurarsi che l'aspirapolvere inizi sempre la pulizia dal dock di ricarica.

* Non spostare frequentemente l'aspirapolvere durante la pulizia. Se spostato, riportarlo nella posizione originale.

Modalità di pulizia della stanza (possibile solo dalla relativa applicazione mobile)

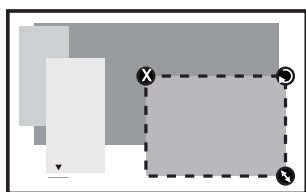
È possibile specificare le stanze che si vuole siano pulite con l'applicazione mobile; l'aspirapolvere quindi pulisce solo la stanza o le stanze che sono segnate nella mappa delle regioni sull'applicazione.



5 Funzionamento

- Dopo aver iniziato la pulizia, l'aspirapolvere potrebbe anche entrare in aree diverse da quella selezionata; si prega quindi di rimuovere gli ostacoli sulla superficie intorno all'area selezionata. L'aspirapolvere potrebbe comunque non rispettare l'area selezionata.
- La pulizia delle regioni può essere avviata solo dopo che l'aspirapolvere ha creato con successo una mappa.

Modalità di pulizia delle regioni (possibile solo dalla relativa applicazione mobile)



Sarà possibile determinare le dimensioni della regione tenendolo dall'angolo in basso a destra. Nel frattempo, le dimensioni dell'area visualizzata sono indicate sullo schermo con la linea tratteggiata.

Selezionare la modalità di pulizia delle regioni nell'applicazione e poi specificare un'area da pulire. L'aspirapolvere pulisce solo l'area selezionata e poi ritorna al dock di ricarica.

* La pulizia delle regioni può essere avviata solo dopo che l'aspirapolvere ha creato con successo una mappa.



Fare riferimento al manuale operativo dell'applicazione mobile per consigli dettagliati.

5.4 Funzionamento del mop



AVVERTENZA: Non usare la modalità mop sui tappeti.



AVVERTENZA: Non mettere candeggina o detergente nel serbatoio dell'acqua.



AVVERTENZA: Quando l'aspirapolvere è in carica o quando non è in funzione, rimuovere l'unità mop.

5 Funzionamento

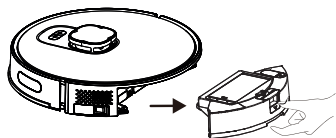


AVVERTENZA: Per evitare di danneggiare i pavimenti in legno, rimuovere l'unità mop immediatamente dopo il completamento dell'operazione di pulizia.

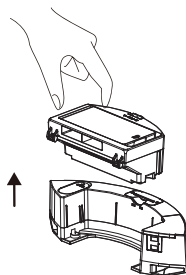


AVVERTENZA: Quando il lavaggio viene interrotto o terminato, l'aspirapolvere interrompe automaticamente il passaggio di acqua. Il mop, tuttavia, rimane bagnato e quindi non deve essere tenuto in questa condizione per un lungo periodo e deve essere subito rimosso.

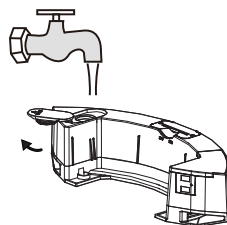
5.4.1 Installazione dell'unità di lavaggio a umido



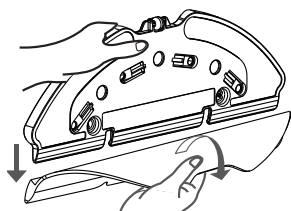
Rimuovere il contenitore della polvere e il gruppo del serbatoio dell'acqua (2 in 1).



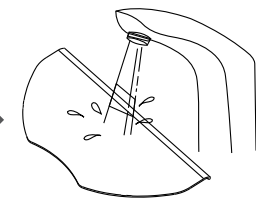
Rimuovere il contenitore della polvere.



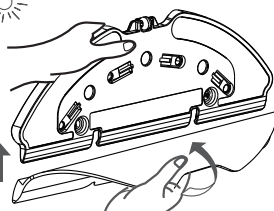
Rimuovere il tappo di gomma e aggiungere acqua al serbatoio dell'acqua dall'ingresso acqua.



Rimuovere lo straccio sul fermo del mocio come indicato nell'immagine.

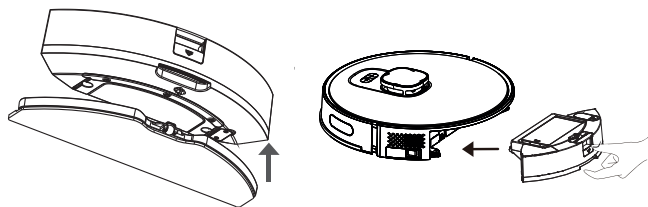


Inumidire lo straccio prima di ogni lavaggio



Posizionare lo straccio sul fermo del mocio.

5 Funzionamento



Installare il contenitore della polvere e il gruppo del serbatoio dell'acqua (2 in 1) nella direzione della freccia.

Installare il contenitore della polvere e il gruppo del serbatoio dell'acqua (due in uno) sull'apparecchio, i loro posti in direzione della freccia.

5.4.2 Impostazione per il lavaggio a umido

Si può iniziare la pulizia selezionando nell'applicazione la modalità di pulizia e impostando il livello dell'acqua di lavaggio come desiderato.

* Si consiglia di aggiungere sull'applicazione un muro virtuale (area proibita per il mop) all'area del tappeto, così che l'aspirapolvere rimanga lontano dal tappeto ed eviti di bagnarlo durante l'operazione di pulizia con il mop.

6 Pulizia e manutenzione

Prima della pulizia, spegnere l'elettrodomestico e scollegarlo.



AVVERTENZA: Non utilizzare benzina, solventi, detersivi abrasivi, oggetti metallici o spazzole dure per pulire l'elettrodomestico.

6.1 Pulizia del contenitore della polvere e dei filtri



Quando il filtro raggiunge la fine della sua vita utile, è deformato o deve essere sostituito per un qualsiasi motivo, è possibile chiamare il nostro call center per ordinarne uno nuovo.

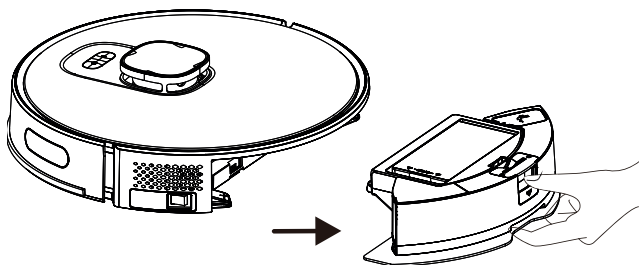


Per ottenere le massime prestazioni del filtro HEPA, pulire con una spazzola dopo ogni pulizia.

Il filtro HEPA (10) è un accessorio sostituibile.

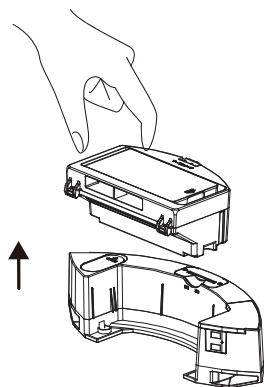
Se avete eseguito un'operazione di pulizia in uno spazio dove c'è polvere di costruzione e polvere con particelle molto piccole, sostituire il filtro con uno nuovo per evitare perdite di performance.

1. Rimuovere il contenitore della polvere e il gruppo del serbatoio dell'acqua (2 in 1) premendo il pulsante come mostrato sotto.



6 Pulizia e manutenzione

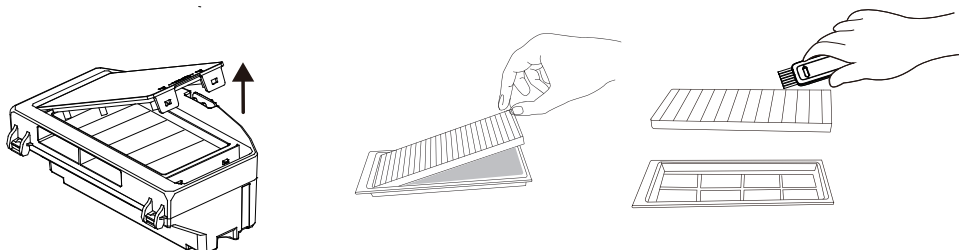
2. Rimuovere il contenitore della polvere tirandolo nella direzione della freccia.



3. Aprire il contenitore della polvere come mostrato qui sotto. Avvicinare il contenitore della polvere al contenitore dei rifiuti e rimuovere la polvere grossolana battendo leggermente sul contenitore.

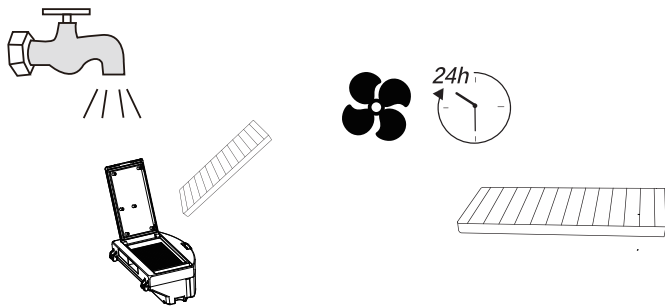


4. Rimuovere il filtro ad alte prestazioni e pulirlo utilizzando la spazzola per la pulizia fornita insieme all'elettrodomestico.



6 Pulizia e manutenzione

5. Lavare periodicamente il serbatoio dell'acqua, il contenitore della polvere e il gruppo filtro con **acqua fredda** secondo la frequenza di utilizzo.



6. Lasciare asciugare il serbatoio dell'acqua, il contenitore della polvere e il gruppo filtro dopo il lavaggio, e assicurarsi che siano completamente asciutti.



L'asciugatura potrebbe richiedere dalle 24 alle 48 ore.

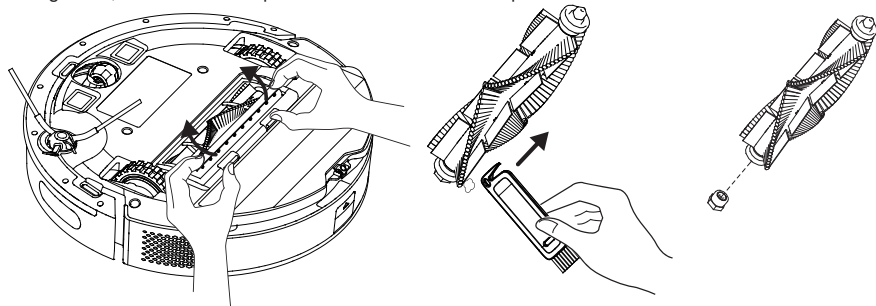
7. Assemblare il serbatoio dell'acqua, il contenitore della polvere e il gruppo filtro dopo l'asciugatura e poi installare il gruppo sull'aspirapolvere.



AVVERTENZA: Non mettere in funzione l'aspirapolvere senza aver installato il gruppo filtro. In caso contrario, l'elettrodomestico potrebbe danneggiarsi.

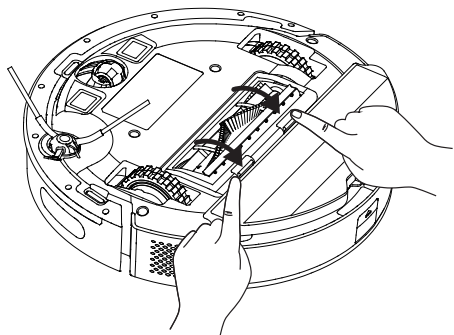
6.2 Pulizia della spazzola

1. Aprire il coperchio superiore della spazzola principale premendo sulle linguette. Tirare e rimuovere il rullo principale verso l'alto. Rimuovere i capelli aggrovigliati sulla spazzola per la pulizia con l'estremità tagliente, e rimuovere la polvere sulle setole della spazzola e sul rullo.

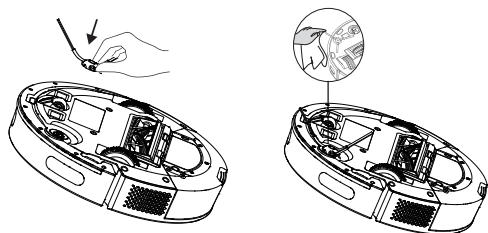


6 Pulizia e manutenzione

2. Riposizionare la spazzola dopo averla pulita e chiudere il coperchio nella direzione della freccia.



6.3 Pulizia e installazione della spazzola laterale



Nell'uso a lungo termine, lavare la spazzola laterale con acqua calda per eliminare la deformazione della forma. Una volta asciutta, procedere all'installazione sul robot come indicato.

6 Pulizia e manutenzione

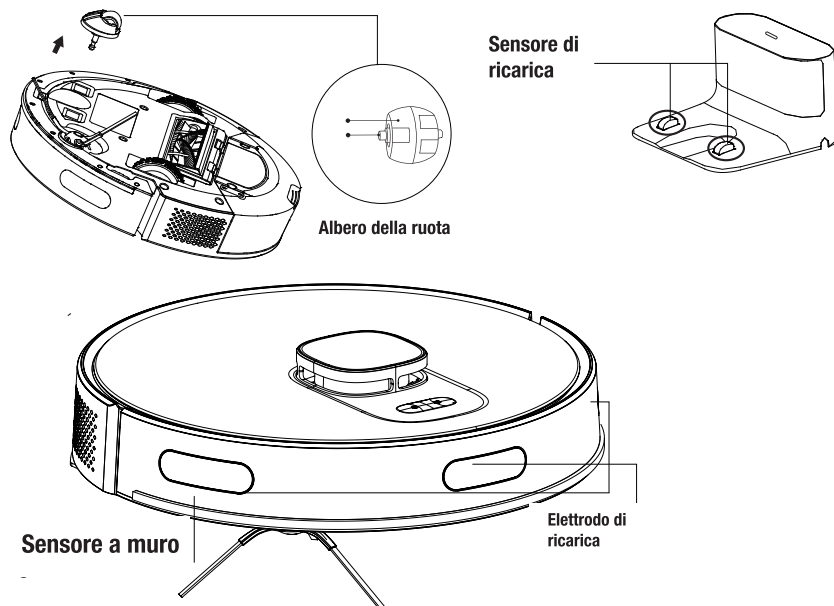
6.4 Pulizia dei sensori

Pulire regolarmente i sensori e rimuovere la polvere con un panno asciutto e morbido o una spazzola per la pulizia.

Informazione: Quando è necessaria la pulizia del sensore, l'applicazione invia una notifica.

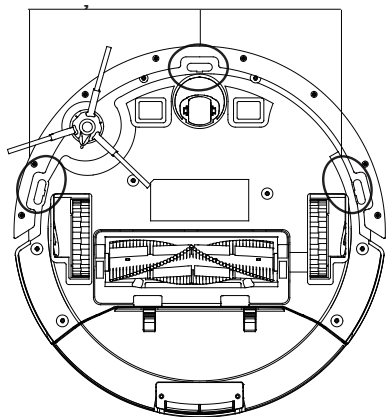


Quando è necessaria la pulizia del sensore, l'applicazione invia una notifica.



6 Pulizia e manutenzione

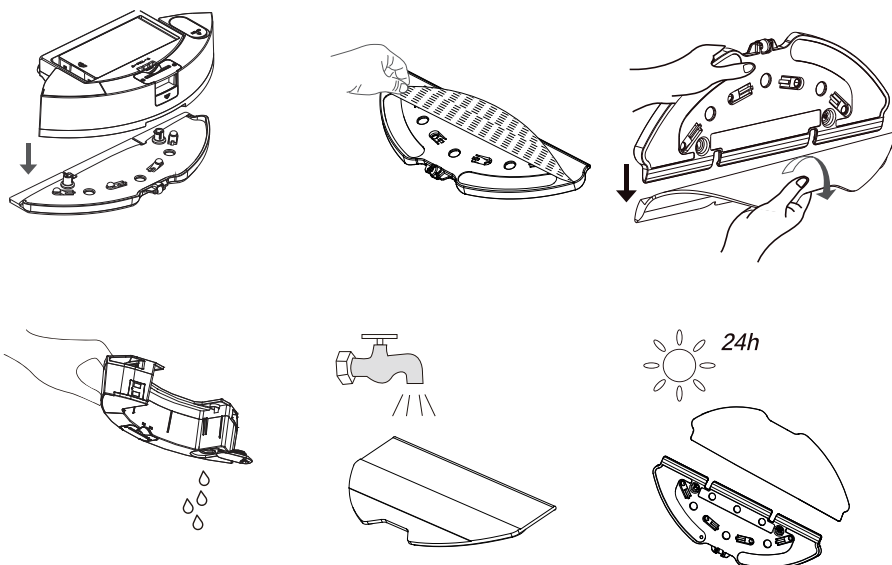
Sensore di prevenzione delle cadute



6.5 Pulizia dell'unità mop

Si consiglia di rimuovere il supporto del mop da un lato, scaricare il serbatoio dell'acqua, sciacquare il mop con acqua e poi lasciarlo asciugare dopo ogni lavaggio.

Il mop è lavabile in lavatrice.



7 Guida alla risoluzione dei problemi

Condizioni generali di errore

Guasto	Causa e rimedio
Non può essere azionato	<ol style="list-style-type: none">1. Il livello di carica è basso. Posizionare l'aspirapolvere sul dock di ricarica o sullastazione in modo che sia allineato con i poli di ricarica. Portare il pulsante a sinistra dell'aspirapolvere in posizione "I"; e l'aspirapolvere sarà azionato automaticamente (quando l'aspirapolvere è completamente scarico, per il funzionamento automatico è necessario ricaricarlo per un po').2. La temperatura ambiente è molto bassa (sotto 0 °C) o molto alta (sopra 50 °C). Si prega di utilizzare l'aspirapolvere a una temperatura ambiente da 0 a 40 °C.3. Assicurarsi che il pulsante on/off sul lato dell'aspirapolvere sia stato portato in posizione "I".
La batteria non si ricarica	<ol style="list-style-type: none">1. Si prega di rimuovere l'aspirapolvere e controllare se la spia sul dock di ricarica o sulla stazione è accesa e assicurarsi che entrambe le estremità dell'adattatore di alimentazione del dock di ricarica siano collegate.2. Contatto allentato. Si prega di pulire i contatti a molla del dock di ricarica e i contatti di ricarica dell'aspirapolvere.3. Assicurarsi che il pulsante on/off sul lato dell'aspirapolvere sia stato portato in posizione "I".
Non ritorna al dock/stazione per la ricarica	<ol style="list-style-type: none">1. Ci sono troppi ostacoli intorno al dock di ricarica o alla stazione . Si prega di posizionare il dock di ricarica o la stazione in un'area priva di ostacoli.2. L'aspirapolvere è troppo lontano dal dock di ricarica o dalla stazione . Avvicinare l'aspirapolvere al dock di ricarica o alla stazione e riprovare.3. Accertarsi che la stazione di ricarica sia collegata e che sia alimentata.
Funzionamento anomalo	<ol style="list-style-type: none">1. Spegnerne e riaccendere.
Funziona ma un rumore anomalo.	<ol style="list-style-type: none">1. Nella spazzola principale, nelle spazzole laterali e nelle ruote potrebbero essere entrati materiali estranei. Si prega di spegnere l'aspirapolvere e pulirlo.
Le prestazioni di pulizia sono basse/ vi sono perdite di polvere	<ol style="list-style-type: none">1. Il contenitore della polvere è pieno. Si prega di pulire il contenitore della polvere.2. Il filtro è intasato. Si prega di pulire o sostituire il filtro.3. Nella spazzola principale potrebbero essere entrati materiali estranei. Si prega di pulire la spazzola principale.

7 Guida alla risoluzione dei problemi

Impossibile collegarsi alla rete Wi-Fi.	<ol style="list-style-type: none">1. Il segnale Wi-Fi è debole. Assicurarsi che il segnale Wi-Fi nel luogo in cui si trova l'aspirapolvere sia forte.2. Condizione anomala nel collegamento Wi-Fi. Si prega di resettare il Wi-Fi, scaricare l'ultima applicazione mobile e riprovare.3. La password non è stata inserita correttamente.4. Il router utilizzato è un modello che opera nella banda di frequenza 5 G (questo aspirapolvere robot supporta solo la banda di frequenza 2,4 G).
La pulizia a tempo non funziona	Il livello di carica è basso. La pulizia a tempo può essere avviata solo quando il livello di carica è $\geq 20\%$.
Quando è sul dock di ricarica l'aspirapolvere consuma energia.	L'aspirapolvere consuma pochissima energia quando si trova sul dock di ricarica o nella stazione ; questa caratteristica permette di mantenere le prestazioni della batteria al livello migliore.
Nelle prime tre operazioni di ricarica, l'aspirapolvere deve essere ricaricato per 16 ore	La batteria al litio non ha effetto memoria quando viene utilizzata e non è necessario alcun tempo di attesa quando è completamente carica.

Elenco dei guasti

Quando l'aspirapolvere ha un guasto, l'indicatore rosso dell'aspirapolvere lampeggia e allo stesso tempo viene emesso il suono del relativo cicalino. Per risolvere il guasto seguire gli avvisi acustici.

Avviso acustico	Soluzione
Errore 1: Anomalia della batteria. Si prega di consultare il manuale o l'applicazione.	<ul style="list-style-type: none">• Si prega di aprire il vano batteria, controllare se il collegamento della batteria è a posto e riavviare l'aspirapolvere.• La temperatura della batteria è molto alta o molto bassa. Attendere che la temperatura della batteria raggiunga i valori normali (0 °C~40 °C/32 °F~104 °F).
Errore 2: Anomalia del modulo ruota. Si prega di consultare il manuale o l'applicazione.	<ul style="list-style-type: none">• Si prega di controllare che non ci sia materiale estraneo incastrato nelle ruote e riavviare l'aspirapolvere.
Errore 3: Anomalie del modulo spazzole laterali. Si prega di consultare il manuale o l'applicazione.	<ul style="list-style-type: none">• Si prega di controllare che non ci sia materiale estraneo incastrato nella spazzola laterale e riavviare l'aspirapolvere.

7 Guida alla risoluzione dei problemi

Errore 4: Anomalia della ventola. Si prega di consultare il manuale o l'applicazione.	<ul style="list-style-type: none">• Si prega di controllare che non ci sia materiale estraneo incastrato nella ventola e riavviare l'aspirapolvere.• Si prega di controllare il contenitore della polvere e il filtro e riavviare l'aspirapolvere.
Errore 5: Anomalia della spazzola rotante. Si prega di consultare il manuale o l'applicazione.	<ul style="list-style-type: none">• Si prega di rimuovere la spazzola rotante e pulire la spazzola rotante, l'attacco della spazzola, il coperchio della spazzola rotante e l'ugello della polvere. Riavviare l'aspirapolvere dopo la pulizia.
Errore 6: Anomalia della pompa dell'acqua. Si prega di consultare il manuale o l'applicazione.	<ul style="list-style-type: none">• Si prega di pulire il serbatoio dell'acqua, le connessioni della pompa dell'acqua nel serbatoio e nell'aspirapolvere e l'uscita dell'acqua sotto l'aspirapolvere e controllare il modulo mop. Si prega di riavviare l'aspirapolvere dopo la pulizia.
Errore 7: Anomalia del sensore laser. Si prega di consultare il manuale o l'applicazione.	<ul style="list-style-type: none">• Si prega di controllare che non ci sia materiale estraneo nel sensore laser, pulire se necessario e riavviare l'aspirapolvere.
Errore 9: Anomalia dell'operazione di ricarica. Si prega di pulire l'area di contatto di ricarica.	<ul style="list-style-type: none">• Si prega di controllare che l'area di ricarica sia libera e non ostruita e di pulire i poli di ricarica.• Si prega di controllare se la batteria è collegata correttamente.
Errore 10: Anomalia dell'aspirapolvere. Si prega di spegnere e riavviare.	<ul style="list-style-type: none">• Si prega di portare il pulsante principale in posizione 0 e poi di nuovo in posizione I e riavviare l'aspirapolvere.
Errore 12: Il rendimento è anormale. Assicurarsi che il pulsante principale sia acceso.	<ul style="list-style-type: none">• Si prega di portare anzitutto il pulsante principale in posizione on

CERTIFICATO DI GARANZIA

La presente garanzia convenzionale descrive le condizioni di garanzia offerte da BEKO Italy S.r.l. ("Beko") con riferimento ai propri prodotti. La presente garanzia convenzionale si intende come aggiuntiva e non sostitutiva della garanzia legale, di cui è responsabile il venditore, e non pregiudica qualsiasi altro diritto di cui gode il consumatore ai sensi del D.lgs. 206/05 ("Codice del Consumo").

Per consumatore si intende esclusivamente colui che utilizza il prodotto per scopi estranei all'attività imprenditoriale o professionale eventualmente svolta e che quindi ne fa un uso domestico/privato

Questo certificato non deve essere spedito per la convalida. È valido e operante solo se conservato assieme allo scontrino fiscale o altro documento di acquisto fiscalmente obbligatorio.

Condizioni di Garanzia

1. BEKO garantisce il prodotto in relazione a difetti di fabbricazione per un periodo di 24 mesi dalla data di acquisto (in caso di acquisto da parte di consumatori) e di 12 mesi dalla data di acquisto (in caso di acquisto da parte di professionisti con fattura).
2. La garanzia è valida esclusivamente per prodotti venduti e installati sul territorio italiano, o sul territorio della Repubblica di San Marino e della Città del Vaticano, e deve essere comprovata da scontrino fiscale o fattura, che riporti il nominativo del venditore, la data di acquisto del prodotto nonché gli estremi identificativi dello stesso (tipo e modello).
3. Beko effettuerà a sua scelta la riparazione o sostituzione gratuita dei componenti difettosi o la sostituzione gratuita del prodotto con un prodotto uguale o con caratteristiche equivalenti o migliori. La gratuità degli interventi riguarda sia la manodopera sia i componenti di ricambio. La sostituzione del prodotto sarà effettuata solo in caso la riparazione risulti impossibile o eccessivamente onerosa.
4. L'intervento di riparazione sarà effettuato al domicilio dell'utente, fatto salvo i casi d'impossibilità oggettiva o di forza maggiore.
5. La riparazione o sostituzione dei componenti e la sostituzione del prodotto stesso non estendono la durata della garanzia, che rimane quindi di 24 o 12 mesi dalla data di acquisto del prodotto originale.
6. Non sono coperti dalla presente garanzia: manopole, lampade, parti in vetro e in plastica, tubazioni e accessori, tutte le parti asportarli, tutte le parti estetiche e tutti i materiali soggetti ad usura (quali, ad esempio, guarnizioni in gomma, cinghie, manicotti ecc.).
7. BEKO declina ogni responsabilità per eventuali danni che possano derivare, direttamente od indirettamente, a persone e cose come conseguenza del mancato rispetto da parte dell'utente delle istruzioni incluse nell'apposito manuale allegato a ciascun prodotto ed in particolar modo delle istruzioni relative alla installazione, all'uso ed alla manutenzione del prodotto stesso.
8. La garanzia non è operativa e conseguentemente gli interventi di assistenza saranno effettuati a pagamento da parte dell'utente nei seguenti casi:
 - a. Danni al prodotto dovuti al trasporto o alla movimentazione del prodotto stesso.
 - b. Interventi di installazione e montaggio e tutte le eventuali regolazioni, come la registrazione delle porte nei frigoriferi e/o l'inversione dell'apertura, il livellamento dei prodotti, l'eliminazione delle staffe di fissaggio vasca, la sostituzione degli ugelli e la regolazione del minimo su cucine e piani cottura.
 - c. Malfunzionamenti derivanti da installazione errata, imperfetta o incompleta del prodotto, incluse l'errata connessione o errata erogazione dalle reti di alimentazione e la mancanza di allacciamento alla presa di terra.

d. Interventi da effettuarsi in spazi eccessivamente ristretti per poter operare sui prodotti, in luoghi con eccessiva o scarsa temperatura dell'ambiente, o su prodotti installati ad oltre mt. 2,50 da un piano di lavoro stabile, o in posizioni disagiate e pericolose, che non possano garantire l'incolumità dell'operatore come stabilito dalle norme di legge sulla sicurezza sul lavoro.

e. Danni al prodotto causati da agenti atmosferici (fulmini, terremoti, incendi, alluvioni, ecc.) o da circostanze esterne che non siano riconducibili a difetti di fabbricazione del prodotto.

f. Riparazioni, modifiche o manomissioni effettuate da persone non autorizzate dal produttore o comunque per cause non dipendenti dal prodotto.

g. Mancanza dei documenti fiscali di acquisto del prodotto, oppure se gli stessi risultano contraffatti o non inerenti al prodotto, o se il numero di matricola del prodotto risulta asportato, cancellato o manomesso.

h. Uso improprio del prodotto o uso diverso da quanto stabilito dal produttore.

i. Guasti e malfunzionamenti dovuti a uso improprio del prodotto e/o a mancanza di regolare manutenzione, incuria e negligenza (ad esempio, mancata pulizia batterie condensanti, fori di drenaggio, filtri di scarico e filtri di entrata acqua, mancata eliminazione corpi estranei, insufficiente pulizia dei piani di cottura, ecc.) e in generale tutte le circostanze esterne che non siano riconducibili a difetti di fabbricazione del prodotto.

Beko si riserva la facoltà di addebitare all'utente il costo dell'intervento di assistenza nei casi in cui non sia stato riscontrato il difetto lamentato dall'utente, o nei casi di generici problemi di funzionamento correlati a errata impressione dell'utente (problemi di asciugatura, rumorosità, difetti di lavaggio, eccessiva formazione di schiuma, nonché problemi di centrifuga, di raffreddamento, di riscaldamento, ecc.).

Nei casi sopra citati in cui la garanzia non è operativa, si intendono a pagamento anche tutti gli eventuali trasporti necessari per lo svolgimento degli interventi di assistenza.

Il Servizio Assistenza di BEKO è l'unico autorizzato a riparare i prodotti a marchio BEKO sulla base della presente garanzia convenzionale.

Durante e dopo il periodo di garanzia, vi consigliamo di rivolgervi sempre ai nostri centri di assistenza autorizzati. Per contattare il Centro di Assistenza Tecnica Autorizzato operante nella vostra zona chiamate il numero unico per l'Italia:

02.03.03 per i prodotti a marchio



02.06.06 per i prodotti a marchio



Prima di contattare l'assistenza tecnica, al fine di agevolare la gestione della chiamata, è necessario avere a portata di mano il modello del prodotto e il documento fiscale di acquisto.

Proszę najpierw przeczytać tę instrukcję!

Drogi kliencie,

Dziękujemy za wybór produktu Beko. Chcemy, abyś osiągnął optymalną wydajność dzięki temu wysokiej jakości produktowi, który został wyprodukowany przy użyciu najnowocześniejszej technologii. Przed użyciem należy dokładnie przeczytać i zrozumieć ten przewodnik oraz dokumentację uzupełniającą oraz zachować go do wykorzystania w przyszłości. Dołącz ten przewodnik do urządzenia, jeśli przekażesz go komuś innemu. Przestrzegaj wszystkich ostrzeżeń i informacji zawartych w tym dokumencie i postępuj zgodnie z instrukcjami.

Symbole i ich znaczenie

Poniższe symbole są używane w tym przewodniku:



Ważne informacje i zalecenia dotyczące użytkowania urządzenia.



OSTRZEŻENIE: Ostrzeżenia dotyczące sytuacji zagrażających bezpieczeństwu, życiu i mieniu.



Klasa ochrony przed porażeniem elektrycznym.



PAPIER Z RECYKLINGU I
NADAJĄCY SIĘ DO PONOWNEGO
PRZETWORZENIA

1 Ważne instrukcje dotyczące bezpieczeństwa i ochrony środowiska

Ta sekcja zawiera instrukcje bezpieczeństwa, aby zapobiec zagrożeniom, które mogą spowodować obrażenia ciała lub uszkodzenie mienia.

Wszelkie gwarancje są nie będą ważne, jeśli instrukcje nie będą przestrzegane.

1.1 Ogólne zasady bezpieczeństwa

- Urządzenie jest zgodne z międzynarodowymi normami bezpieczeństwa.
- Z urządzenia mogą korzystać dzieci powyżej 8 roku życia i osoby o ograniczonej sprawności fizycznej, sensorycznej lub umysłowej, bądź o niedostatecznym doświadczeniu i wiedzy jedynie pod nadzorem lub po przeszkoleniu w zakresie bezpiecznej obsługi urządzenia i po poinformowaniu o istniejących zagrożeniach. Dzieciom nie wolno używać urządzenia do zabawy. Czyszczenie i konserwacja nie powinny być wykonywane przez dzieci bez nadzoru.
- Nie używaj urządzenia, jeśli kabel zasilania lub wtyczka są uszkodzone. Skontaktuj się z autoryzowanym serwisem.
- Zasilanie sieciowe powinno być zgodne z informacjami podanymi na tabliczce znamionowej urządzenia.
- Z urządzeniem nie należy używać przedłużaczy.
- Aby zapobiec uszkodzeniu przewodu zasilającego, nie należy go przyciskać, zaciskać ani ocierać o ostre krawędzie.
- Nie wolno dotykać urządzenia i jego wtyczki mokrymi ani wilgotnymi dłońmi, jeśli jest ono podłączone do zasilania.
- Nie należy wyjmować wtyczki z gniazdka, ciągnąc za przewód zasilający.
- Nie odkurzać materiałów łatwopalnych. Należy upewnić się, że popiół z papierosów ostygł przed odkurzaniem.
- Nie odkurzać wody i innych cieczy.

1 Ważne instrukcje dotyczące bezpieczeństwa i ochrony środowiska

- Chronić urządzenie przed opadami atmosferycznymi, wilgocią i źródłami ciepła.
- Urządzenia nie należy używać w otoczeniu lub w pobliżu materiałów wybuchowych lub łatwopalnych.
- Przed przystąpieniem do czyszczenia i konserwacji urządzenia należy odłączyć je od zasilania.
- Podczas czyszczenia nie wolno zanurzać urządzenia ani przewodu zasilającego w wodzie.
- Nie demontuj urządzenia.
- Należy stosować wyłącznie oryginalne lub zalecane przez producenta części zamienne.
- Aby zapobiec zatkaniu filtra lub uszkodzeniu silnika, nie należy odkurzać cementu, tynku ani fragmentów prasowanego papieru.
- Urządzenia należy używać wyłącznie z dołączonym zasilaczem.
- Nie używać urządzenia bez filtrów. Może to spowodować jego uszkodzenie.
- Opakowanie urządzenia należy przechowywać poza zasięgiem dzieci.
- Niniejsze urządzenie nie jest przeznaczone dla osób, w tym dzieci, niepełnosprawnych fizycznie, zmysłowo lub umysłowo lub tych, które nie posiadają odpowiedniego doświadczenia i wiedzy na temat jego użytkowania, chyba że znajdują się pod nadzorem osoby odpowiedzialnej za bezpieczeństwo urządzenia lub zostały przeszkolone.
- Nie wolno dopuścić, by dzieci bawiły się urządzeniem.
- Przed przystąpieniem do czyszczenia lub konserwacji, należy odłączyć zasilacz i wyjąć akumulator.
- Aby uniknąć ryzyka obrażeń, uszkodzony zasilacz powinien zostać wymieniony przez producenta, autoryzowanego przedstawiciela lub wykwalifikowanego technika.

1 Ważne instrukcje dotyczące bezpieczeństwa i ochrony środowiska

- Trzymaj palce, włosy i luźne części ubrania z dala od otworów oraz ruchomych części urządzenia.
- Przed wyrzuceniem urządzenia należy wyjąć akumulator.
- Przed wyjęciem akumulatora należy odłączyć urządzenie od źródła zasilania.
- Zużyte akumulatory należy utylizować zgodnie z lokalnymi przepisami i regulacjami.
- Akumulatory urządzenia mogą być wymienione tylko przez autoryzowany serwis.
- Nie należy używać akumulatorów różnych typów ani starych i nowych akumulatorów razem.
- Akumulatory należy zainstalować zgodnie z oznaczeniami biegunów.
- Nie wolno zwierać zacisków zasilania.
- Urządzenie powinno być używane tylko z akumulatorami ME1XXFG CM 3200 mAh.
- Niniejsze urządzenie nie jest przeznaczone dla dzieci i osób niepełnosprawnych fizycznie, zmysłowo lub umysłowo lub tych, które nie posiadają odpowiedniego doświadczenia i wiedzy na temat jego użytkowania, chyba że znajdują się pod nadzorem lub zostały przeszkolone.
- Nie wolno dopuścić, by dzieci bawiły się urządzeniem.
- Nie ustawiaj ciężkich przedmiotów na urządzeniu.
- Nie włączaj urządzenia na wysokich podstawach, takich jak stół lub krzesło.

1 Ważne instrukcje dotyczące bezpieczeństwa i ochrony środowiska

- Ten produkt nie jest przeznaczony do użytku komercyjnego, jest przeznaczony do użytku domowego i do następujących zastosowań:

- w kuchniach pracowników sklepów, biur i innych środowisk pracy,
- w gospodarstwach rolnych;
- dla klientów w hotelach, motelach lub innych miejscach;
- w hostelach i podobnych miejscach,
- w noclegowniach i miejscach serwujących śniadania

- Nie ustawiaj ciężkich przedmiotów na urządzeniu. Upewnij się, że dzieci i zwierzęta domowe nie wejdą na urządzenie.

1.2 Zgodność z Dyrektywą WEEE i utylizacją odpadów



Niniejszy wyrób jest zgodny z dyrektywą Parlamentu Europejskiego i Rady (2012/19/WE). Wyrób ten oznaczony jest symbolem klasyfikacji zużytych urządzeń elektrycznych i elektronicznych (WEEE).

Ten symbol oznacza, że sprzęt nie może być umieszczany łącznie z innymi odpadami gospodarstwa domowego po okresie jego użytkowania. Zużyte urządzenie należy oddać do specjalnego punktu zbiórki zużytego sprzętu elektrycznego i elektronicznego w celu utylizacji. Aby uzyskać informacje o punktach zbiórki w swojej okolicy należy skontaktować się z lokalnymi władzami lub punktem sprzedaży tego produktu. Gospodarstwo domowe spełnia ważną rolę w przyczynianiu się do ponownego użycia i odzysku zużytego sprzętu. Odpowiednie postępowanie ze zużytym sprzętem zapobiega potencjalnym negatywnym konsekwencjom dla środowiska naturalnego i ludzkiego zdrowia.

1.3 Opakowanie urządzenia



Opakowanie urządzenia jest wykonane z materiałów nadających się do recyklingu zgodnie z przepisami krajowymi.

Nie należy wyrzucać odpadów opakowaniowych wraz z odpadami pochodzącymi z gospodarstw domowych lub innymi odpadami. Należy oddawać je do punktów zbiórki opakowań wyznaczonych przez władze lokalne.

1 Ważne instrukcje dotyczące bezpieczeństwa i ochrony środowiska

1.4 Zużyte akumulatory

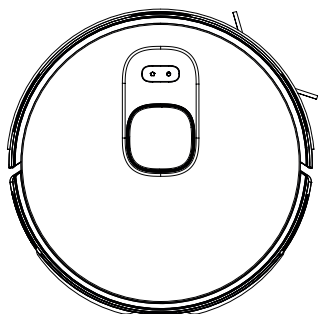


Zużyte akumulatory należy utylizować zgodnie z lokalnymi przepisami. Symbol na akumulatorze lub opakowaniu oznacza, że akumulatory nie mogą być traktowane jako odpady komunalne. Na niektórych akumulatorach symbol ten może być używany razem z symbolem chemicznym. Pod tym symbolem dodaje się symbole chemiczne rtęci (Hg) lub ołowiu (Pb), gdy bateria/akumulator zawiera więcej niż 0,0005% rtęci lub 0,004% ołowiu. Odpowiednio gospodarując zużytymi produktami i akumulatorami, można zapobiec ich potencjalnemu negatywnemu wpływowi na środowisko oraz zdrowie ludzi, jaki mógłby wystąpić w przypadku niewłaściwego obchodzenia się z tymi odpadami.

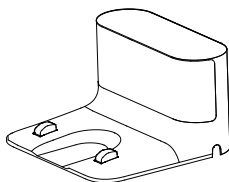
1.5. Co robić, aby zaoszczędzić energię.

- Podczas korzystania z urządzenia dostosuj ustawienia prędkości do powierzchni, aby oszczędzać energię.
- Zwykle niższe prędkości są używane do odkurzania twardych powierzchni podczas gdy wysokie do odkurzania dywanów.

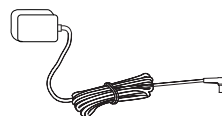
2 Zawartość pudełka



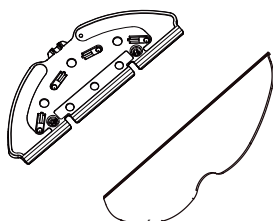
Robot odkurzający



Stacja ładująca



Adapter do ładowania

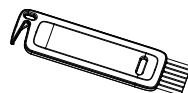


Narzędzie do czyszczenia mopem

Ściereczka do mycia



Podręcznik użytkownika i dokumentacja produktu (2 szt.)

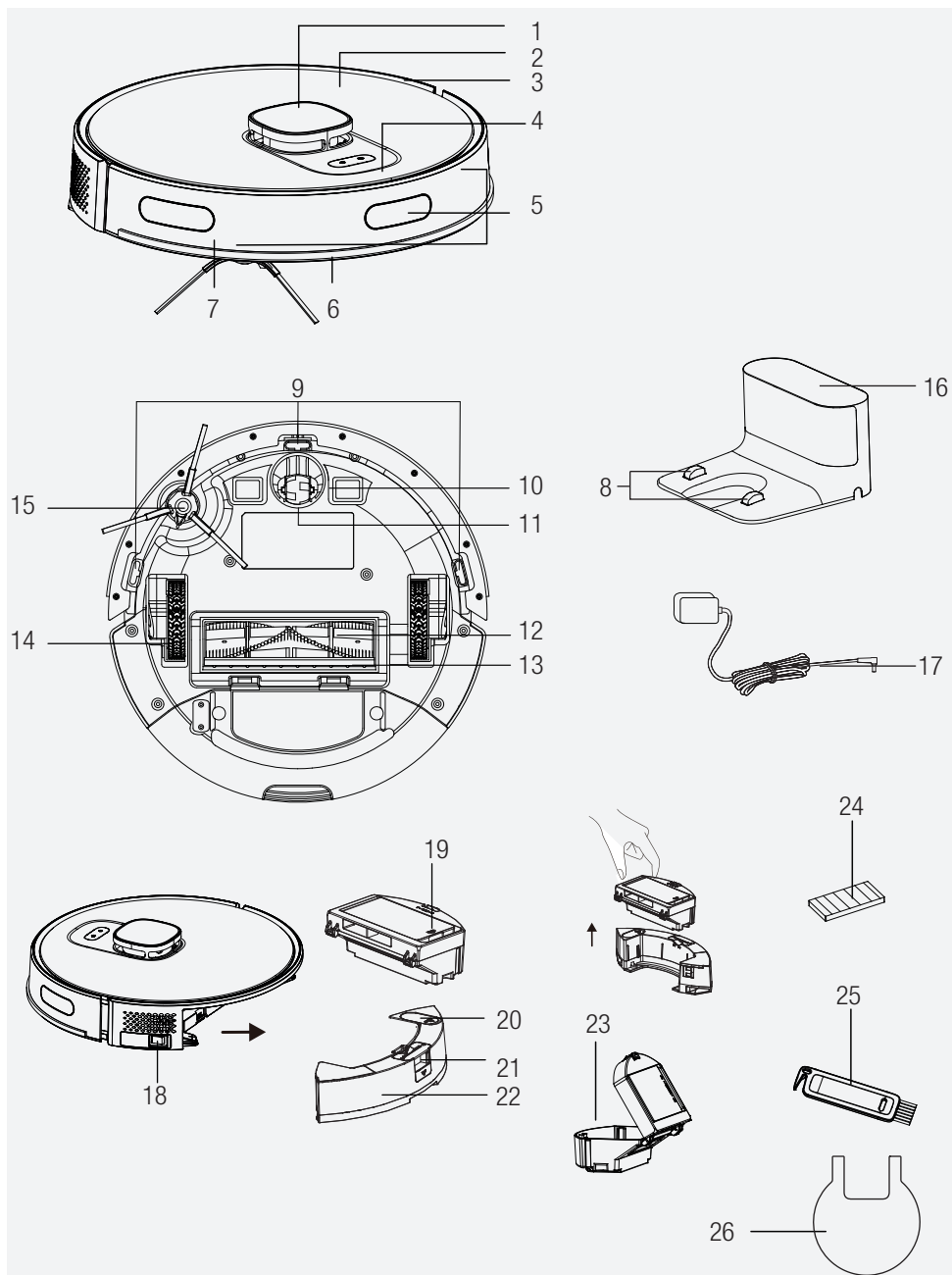


Szczoteczka do czyszczenia

Dostarczone akcesoria zapasowe

	1 szczotka boczna
	1 ściereczka do mycia
	1 filtr

3 Omówienie



3 Omówienie

2.1 Elementy sterujące i komponenty

1. Lidar
2. Górna część
3. Korpus środkowy
4. Przycisk rozpoczęcia / zatrzymania sprzątania / Przycisk powrotu do stacji ładującej
5. Czujnik zderzaka
6. Przedni zderzak
7. Czujnik uderzenia przedniego zderzaka
8. Styki ładowania
9. Czujnik zabezpieczenia przed upadkiem
10. Styki ładowania
11. Przednie koło obrotowe
12. Obrotowa szczotka
13. Osłona obrotowej szczotki
14. Tylne koło
15. Szczotka boczna
16. Stacja ładująca
17. Adapter do ładowania
18. Przycisk wł./wył.
19. Pojemnik z pokrywą filtra EPA
20. Pokrywa wlewu pojemnika na wodę do mopa
21. Przycisk wysuwania pojemnika na kurz z robota
22. Pojemnik na wodę do mopa
23. Pojemnik na kurz
24. Filtr EPA
25. Szczoteczka do czyszczenia
26. Podkładka chroniąca podłogę przed wilgocią

2.2 Dane techniczne

Napięcie zasilacza	100-240V~, 50-60 Hz
Parametry wyjściowe zasilacza	24.0V / 1.0 A
Akumulator	Li-ion: 14.4V / 3.2 Ah
Czas ładowania	4-5 godziny
Czas pracy	do 150 minut (w trybie cichym)
Pojemność pojemnika na kurz	0.4 L
Pojemność zbiornika na wodę	0.3 L
Zakres częstotliwości Wi-Fi 2,4G	2412-2472 MHz
Obsługiwane połączenia	Bezprzewodowa sieć WLAN IEEE 802.11 b/g/n
Maksymalna moc wyjściowa częstotliwości radiowych Wi-Fi 2,4 GHz:	20 dBm
Informacje o narażeniu na częstotliwości radiowe	Maksymalnie 2,4G Wi-Fi
Czas pracy	Maksymalne: 70 min. Mocne: 80 min. Standardowe: 120 min. Cicha praca: 150 min.

Informacje o narażeniu na częstotliwości radiowe:

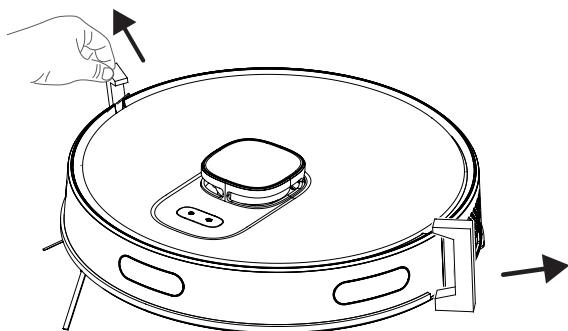
Maksymalny dopuszczalny poziom ekspozycji jest obliczany na podstawie 20 cm odległości pomiędzy urządzeniem a ciałem człowieka. Aby zachować zgodność z warunkami narażenia na działanie częstotliwości radiowych, należy zachować odległość 20 cm między urządzeniem a osobą.

3 Omówienie

Producent	E-TEK Electronics Manufactory Co., LTD
Model:	ZD024D240100EU
Napięcie wejściowe:	100-240V~
Częstotliwość wejściowa	50-60Hz
Prąd wejściowy	0.8A
Prąd wyjściowy	24.0V DC
Prąd wyjściowy	1.0A
Moc wyjściowa:	24.0W
Średnia sprawność podczas pracy	87.91%
Wydajność przy niskim obciążeniu (10%)	84.01%
Pobór mocy bez obciążenia:	0.1W

4 Instalacja

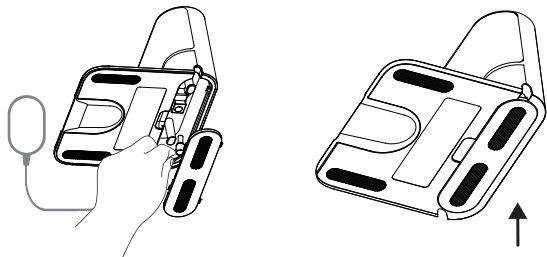
1- Usuń gąbki ochronne.



4 Instalacja

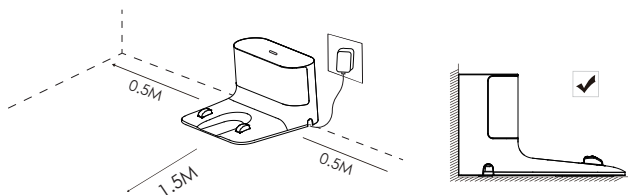
2- Zainstaluj stację ładowającą.

Zainstaluj wtyczkę adaptera w stacji ładowającej i ustaw kable w taki sposób, aby zapobiec owijaniu się kabla adaptera wokół urządzenia podczas odkurzania.



i Zainstaluj stację ładowającą w miejscu, do którego odkurzacz będzie miał łatwy dostęp. Zainstaluj stację ładowającą na twardym i równym podłożu, a nie na dywanie.

Aby zapewnić płynną pracę robota, zaleca się, aby w promieniu 1,5 m z przodu oraz w promieniu 0,5 m z lewej i prawej strony nie znajdowały się żadne przeszkody.



Zainstaluj stację ładowania na twardym i równym podłożu, tak aby jej tył był skierowany do ściany, a następnie podłącz ją do gniazdka.

i Zawsze utrzymuj stację ładowania w stanie podpiętym; w przeciwnym razie odkurzacz nie będzie mógł powrócić automatycznie.

i Aby zapewnić płynne ładowanie, nie stacji często. Zmiana lokalizacji odkurzacza może spowodować usunięcie dostępnej mapy i utworzenie nowej mapy z powodu błędu pozycjonowania.

5 Obsługa



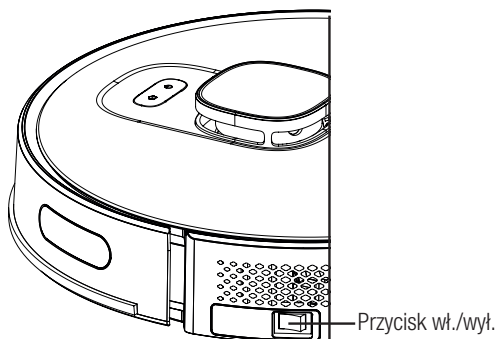
Proszę naładować urządzenie przed pierwszym użyciem.

5.1 Przeznaczenie

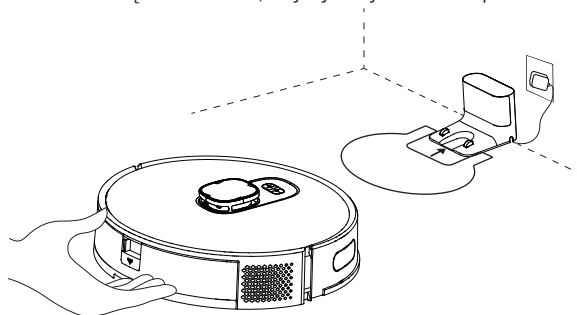
Niniejsze urządzenie jest przeznaczone do użytku domowego i nie nadaje się do użytku przemysłowego.

5.2 Ładowanie urządzenia

1. Ustaw przycisk wł.-wył. z boku w pozycji włączonej, aby włączyć zasilanie początkowe.



2. Umieść urządzenie w tak, aby było wyrównane z portem ładowania.



Ładowanie rozpoczyna się po trzykrotnym mignięciu niebieskiego wskaźnika stacji ładującej, a następnie jej całkowitym wyłączeniu.

5 Obsługa

5.3 Obsługa

Przy pierwszej operacji przesun boczny przycisk WŁ./WYŁ. z pozycji 0 do I. Aby włączyć odkurzacz, naciśnij .

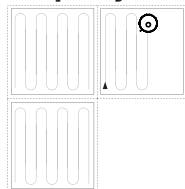
przez 3 sekundy.


* Nie wyłączaj urządzenia za pomocą przycisku WŁ./WYŁ. bezpośrednio podczas czyszczenia; w przeciwnym razie dane odkurzacza nie mogą zostać zapisane.

* Jeśli przycisk WŁ./WYŁ. znajduje się w pozycji WYŁ., odkurzacz włączy się automatycznie po umieszczeniu go w stacji ładującej i wyłączy się automatycznie po wyjęciu ze stacji ładującej.

* Jeśli odkurzacz nie będzie używany przez dłuższy czas, ustaw przycisk WŁ./WYŁ. w pozycji wyłączonej.

Rozpoczynanie odkurzania



Naciśnij przycisk , aby uruchomić automatyczny tryb czyszczenia. Po uruchomieniu odkurzacz opuszcza stację dokującą, wykonuje automatyczne skanowanie w celu utworzenia mapy, wyznacza trasę czyszczenia w inteligentny sposób i dzieli obszar na kilka regionów. Trasa sprzątania jest zaplanowana wzdłuż ściany, a odkurzacz porusza się do przodu i do tyłu, aby sprzątać kolejno różne obszary.



OSTRZEŻENIE: Jeśli poziom naładowania jest zbyt niski, nie można rozpocząć odkurzania. Proszę naładować urządzenie przed rozpoczęciem odkurzania.



OSTRZEŻENIE: Przed odkurzaniem należy posprzątać wszystkie kable, aby zapobiec rozłączeniu z powodu splątania/wyciągnięcia kabli oraz aby zapobiec uszkodzeniu mebli.



OSTRZEŻENIE: W trybie automatycznego odkurzania, jeśli odkurzany obszar jest mniejszy niż 10 metrów kwadratowych, odkurzanie jest domyślnie wykonywane dwukrotnie.



OSTRZEŻENIE: Nie przesuwaj stacji dokującej podczas odkurzania i upewnij się, że stacja dokująca jest podłączona do zasilania; w przeciwnym razie odkurzacz może nie być w stanie powrócić do niej w celu ładowania.

Pauza

Naciśnij dowolny przycisk, aby wstrzymać pracę podczas pracy odkurzacza.

Automatyczne ładowanie: Odkurzacz automatycznie powraca do ładowania po zakończeniu odkurzania.

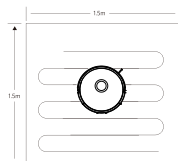
Ładowanie ręczne: Odkurzacz robot powraca automatycznie do stacji ładującej po naciśnięciu przycisku  na górnej części obudowy, gdy znajduje się w pozycji wstrzymania.

A. Jeśli operacja jest wstrzymana, naciśnij przycisk, aby automatycznie doładować.

5 Obsługa

B. Jeśli odkurzacz utknie w jakimś miejscu i nie może znaleźć stacji ładującej, należy samodzielnie przenieść odkurzacz, aby umożliwić jego naładowanie.

Odkurzanie punktu stałego



Przynieś odkurzacz do miejsca, które chcesz odkurzyć i dwukrotnie naciśnij przycisk "①". Gdy tryb ten jest włączony, odkurzacz powinien wyczyścić kwadrat o wymiarach 1,5 x 1,5 m, uważając siebie za środek.

* Odkurzacz nie może rozpocząć czyszczenia punktu stałego ze stacji dokującej.

Po zakończeniu czyszczenia punktowego urządzenie nie wraca do stacji ładującej i pozostaje na swoim miejscu. Umieść je na podstawce ładującej lub przesuń do podstawki ładującej, naciskając przycisk "🏠" na górnej części obudowy.

Wybór mocy odkurzania

(Obsługiwane tylko przez odpowiednią aplikację mobilną) Możesz wybrać żadaną moc odkurzania z aplikacji:

- * Cicha praca
- * Standardowe
- * Mocne
- * Maksymalne

Zdalnie sterowane odkurzanie

(Obsługiwane tylko przez odpowiednią aplikację mobilną) *Możesz skierować odkurzacz do obszaru, który ma być czyszczony, korzystając z trybu ręcznego sterowania zdalnego za pomocą aplikacji.

Tryb uśpienia

Odkurzacz automatycznie przełącza się w tryb uśpienia, jeśli pozostaje w miejscu przez 10 minut. Odkurzacz automatycznie przełącza się w tryb uśpienia po 10 minutach od całkowitego naładowania. Tryb czuwania wyłącza bieżące zadanie.

Resetowanie systemu

Za eliminację aplikacji z konta, klient może mieć pierwszeństwo w „usuwanie prodotto i anulowaniu konta” w aplikacji za pomocą usunięcia wszystkich danych z aplikacji i chmury, która pochodzi z map, cronologie di pulizia, macchina condivisa, hasło dell'account WIFI ... wec.

Naciśnij przycisk trybu gotowości przez 15 sekund, aby zresetować system. Po zresetowaniu systemu mapa i oryginalne ustawienia (w tym wirtualne limity) odkurzacza zostaną usunięte.

5 Obsługa

5.3.1 Praca z aplikacją

Pobierz aplikację

Aby pobrać aplikację, wyszukaj aplikację „HomeDirect-SDA” w sklepie z aplikacjami mobilnymi. Szczegółowe informacje można znaleźć w instrukcji obsługi aplikacji mobilnej.

Resetowanie Wi-Fi

Naciśnij i przytrzymaj jednocześnie przyciski “

Dodaj urządzenie

Otwórz aplikację, utwórz nowe konto i postępuj zgodnie z instrukcjami w aplikacji. * Przed skonfigurowaniem sieci Wi-Fi upewnij się, że odkurzacz i sieć Wi-Fi spełniają następujące wymagania.

A. Odkurzacz:

* Poziom naładowania odkurzacza powinien wynosić ponad 20% lub odkurzacz należy umieścić w stacji ładującej.

B. Sieć Wi-Fi:

- Uzyskaj prawidłowe hasło sieci bezprzewodowej.
- Nie używaj żadnej sieci VPN (wirtualnej sieci prywatnej).
- Router Wi-Fi obsługuje protokoły 802.11b/g/n i IPv4.
- Router powinien pracować w paśmie częstotliwości 2,4 GHz lub należy użyć routera dwuzakresowego obsługującego pasmo 2,4 GHz. Odkurzacz nie obsługuje pasma częstotliwości 5 GHz.
- Jeśli odkurzacz nie może połączyć się z dwupasmową siecią Wi-Fi 2,4/5 GHz, wybierz sieć 2,4 GHz dla ustawień Wi-Fi. Po zakończeniu ustawień możesz przełączyć się z powrotem na inne pasmo częstotliwości.
- Jeśli łączysz się z ukrytą siecią, upewnij się, że poprawnie wpisujesz nazwę sieci [SSID (z uwzględnieniem wielkich liter)] i że masz połączenie z siecią bezprzewodową 2,4 GHz.
- Jeśli używasz wzmacniacza sieci bezprzewodowej, upewnij się, że nazwa sieci (identyfikator SSID) i hasło są takie same jak w sieci głównej.
- Aby podłączyć odkurzacz do serwera aplikacji, ustaw zaporę sieciową i port routera Wi-Fi zgodnie z wymaganiami.

5 Obsługa

Błąd połączenia Wi-Fi

Status Wi-Fi	Możliwa przyczyna	Rozwiązanie
Biały wskaźnik świeci w sposób ciągły.	Odkurzacz jest podłączony do routera (modemu), ale nie może połączyć się z siecią.	<ul style="list-style-type: none">• Upewnij się, że modem jest podłączony do sieci.• Skontaktuj się z operatorem sieci, aby sprawdzić, czy występuje problem z danymi internetowymi.
Biały wskaźnik miga szybko	Odkurzacz nie może połączyć się z modemem	<ul style="list-style-type: none">• Upewnij się, że nazwa sieci i hasło nie zostały zmienione.• W razie potrzeby zresetuj połączenie Wi-Fi. Zapoznaj się z sekcją „Resetowanie Wi-Fi” w części „Pobieranie aplikacji i resetowanie Wi-Fi” niniejszej instrukcji.
Biały wskaźnik miga powoli.	Wi-Fi zostało zresetowane lub nie zostało jeszcze ustawione.	<ul style="list-style-type: none">• Upewnij się, że odkurzacz jest podłączony do sieci Wi-Fi. Szczegółowe informacje można znaleźć w instrukcji obsługi aplikacji mobilnej. W razie potrzeby zresetuj połączenie Wi-Fi. Więcej informacji można znaleźć w sekcji „Resetowanie ustawień Wi-Fi” niniejszej instrukcji

Wymagania dotyczące bezpieczeństwa sieci:

* Użyj szyfrowanych sieci WPA i WPA2 TKIP, PSK i AES/CCMP.

5 Obsługa

5.3.2 Tryby działania

Zarządzanie mapami

A. Mapowanie pokoju w czasie rzeczywistym

Tworzenie mapy pokoju w czasie rzeczywistym może ułatwić zrozumienie trasy odkurzania i otoczenia odkurzania. Po odkurzeniu tworzona jest mapa pomieszczenia. Mapa jest uaktualniana w czasie rzeczywistym podczas każdego odkurzania, aby zapewnić normalną nawigację. Aby utworzyć kompletną mapę domu:

- Otwórz drzwi pomieszczeń, aby upewnić się, że odkurzacz tworzy mapę każdego pomieszczenia;
- Usuń wszelkie przedmioty, które mogą spowodować utrudnienia lub zablokowanie odkurzacza;
- Nie zmieniaj lokalizacji stacji ładującej ani nie odłączaj jej po utworzeniu mapy.

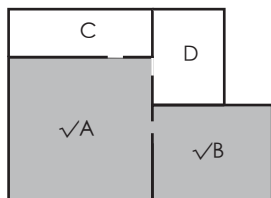
B. Zmiana położenia i zmiana mapowania

Jeśli odkurzacz zostanie przeniesiony lub zostaną wprowadzone znaczne zmiany w otoczeniu, odkurzacz próbuje zmienić położenie, aby dostosować się do nowego otoczenia i może ponownie utworzyć odpowiednią mapę. Szczegóły są następujące:

- Jeśli zmiana położenia się powiedzie, odkurzacz kontynuuje czyszczenie;
- Jeśli zmiana położenia nie powiedzie się, odkurzacz odtworzy mapę, aby zapewnić normalną nawigację podczas czyszczenia;
 - Upewnij się, że odkurzacz zawsze rozpoczyna operację odkurzania ze stacji ładującej.
 - Nie przesuwaj odkurzacza często podczas odkurzania. Jeśli zostanie przesunięty, ustaw go z powrotem w pierwotnym położeniu.

Tryb odkurzania pomieszczenia (obsługiwany tylko przez odpowiednią aplikację mobilną)

Możesz określić pomieszczenia, które chcesz posprzątać za pomocą aplikacji mobilnej, wtedy odkurzacz odkurzy tylko to pomieszczenie/a, które jest/są zaznaczone na mapie regionu w aplikacji.

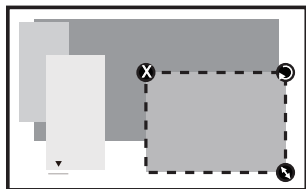


* Odkurzacz może również wejść do obszarów innych niż wybrany obszar po rozpoczęciu odkurzania; dlatego należy usunąć przeszkody na ziemi wokół wybranego obszaru. Wybór obszaru nie zapewnia bezpiecznej izolacji.

* Odkurzanie regionalne można rozpocząć dopiero po pomyślnym utworzeniu przez odkurzacz mapy.

5 Obsługa

Tryb odkurzania regionalnego (obsługiwany tylko przez odpowiednią aplikację mobilną)



Wymiary obszaru można określić, przytrzymując go w prawym dolnym rogu. W międzyczasie wymiary wyświetlanego obszaru są zapisywane na ekranie linią przerywaną.

Wybierz w aplikacji tryb odkurzania regionalnego, a następnie określ obszar odkurzania. Odkurzacz wyczyści tylko wybrany obszar, a następnie powróci do stacji dokującej.

* Odkurzanie regionalne można rozpocząć dopiero po pomyślnym utworzeniu przez odkurzacz mapy.



Szczegółowe wskazówki dotyczące użytkowania znajdują się w instrukcji obsługi aplikacji mobilnej.

5.4 Obsługa mopa



OSTRZEŻENIE: Nie używaj trybu mopowania na dywanie.



OSTRZEŻENIE: Nie wlewaj wybielacza ani detergentu do zbiornika na wodę.



OSTRZEŻENIE: Wyjmij moduł mopujący, gdy odkurzacz jest ładowany lub gdy nie jest używany.



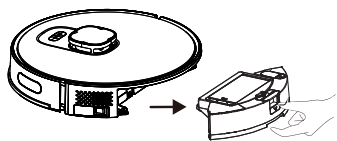
OSTRZEŻENIE: Wyjmij moduł mopujący natychmiast po zakończeniu operacji mopowania, aby zapobiec uszkodzeniu podłóg drewnianych.



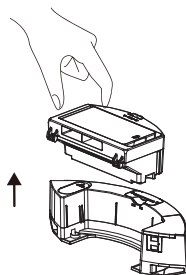
OSTRZEŻENIE: Odkurzacz automatycznie odcina wodę po zatrzymaniu lub zakończeniu mopowania. Mop pozostaje jednak mokry i dlatego nie można go przechowywać w tym stanie przez długi czas i należy bezzwłocznie go usunąć.

5 Obsługa

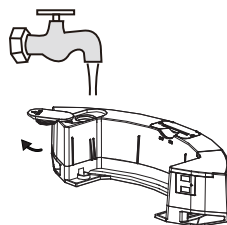
5.4.1 Montaż urządzenia do mopowania na mokro



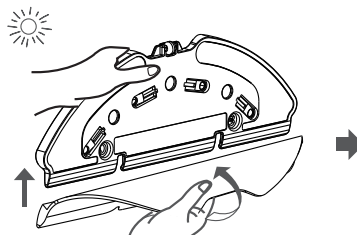
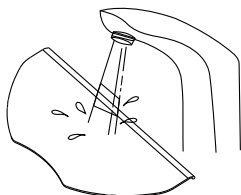
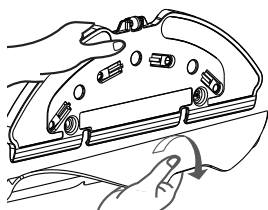
Wymij pojemnik na kurz i zespół zbiornika na wodę (2 w 1).



Wymij pojemnik na kurz.



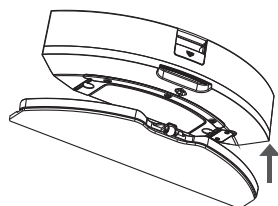
Zdejmij gumowy korek i dolewaj wodę do zbiornika przez wlot wody.



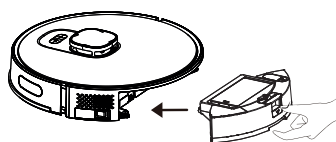
Wymij mopa z uchwytu mopa w sposób przedstawiony na rysunku.

Zwilż mopa przed każdym myciem.

Umieść mopa na uchwycie mopa.



Zainstaluj pojemnik na kurz i zespół zbiornika na wodę (2 w 1) zgodnie z kierunkiem strzałki.



Zamontuj pojemnik na kurz i zespół zbiornika na wodę (dwa w jednym) na urządzeniu, w miejscu zgodnie z kierunkiem strzałki.

5 Obsługa

5.4.2 Ustawienie mopowania na mokro

Możesz rozpocząć operację czyszczenia, wybierając tryb czyszczenia i ustawiając poziom wody do mycia zgodnie z wymaganiami w aplikacji.

* Zaleca się dodać wirtualną ścianę (obszar zakazu mopowania) do obszaru dywanu w aplikacji, aby utrzymać odkurzacza z dala od dywanu i zapobiec zmoczeniu dywanu przez robota odkurzającego podczas operacji mopowania.

6 Czyszczenie i konserwacja

Przed czyszczeniem urządzenia wyłącz je i wyciągnij wtyczkę z gniazdka.



OSTRZEŻENIE: Do czyszczenia urządzenia nie wolno używać benzyny, rozpuszczalników, szorstkich środków czyszczących, przedmiotów metalowych ani twardych szczotek.

6.1 Czyszczenie pojemnika na kurz i filtrów



Możesz zadzwonić do naszego centrum obsługi klienta, aby zamówić nowy filtr, gdy Twój osiągnie kres przydatności, jest zdeformowany lub wymaga wymiany z jakiegokolwiek powodu.

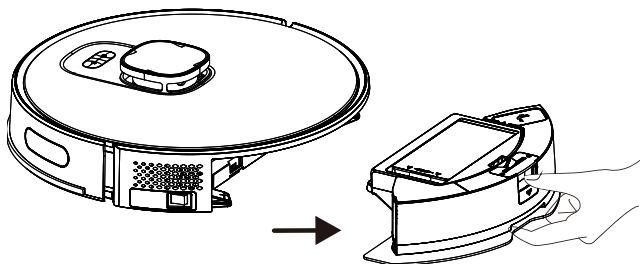


Aby osiągnąć maksymalną wydajność z filtrem HEPA, należy go czyścić szczoteczką po każdym odkurzaniu.

Filtr HEPA (10) jest wymienny.

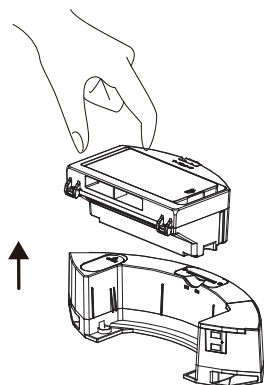
Jeśli czyszczenie zostało przeprowadzone w miejscu, w którym występuje pył budowlany i pył o bardzo drobnych cząsteczkach, należy wymienić filtr na nowy, aby nie doszło do utraty wydajności.

1. Wymij pojemnik na kurz i zespół zbiornika na wodę (2 w 1) naciskając przycisk, jak pokazano poniżej.



6 Czyszczenie i konserwacja

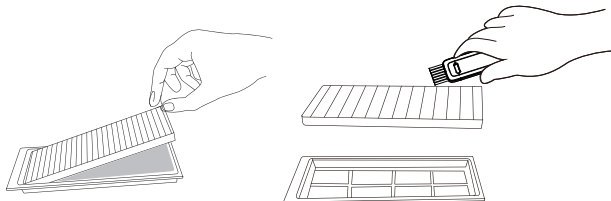
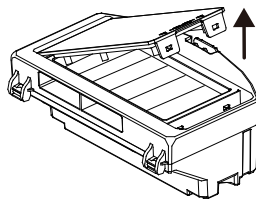
2. Wyjmij pojemnik na kurz, pociągając go w kierunku wskazanym przez strzałkę.



3. Otwórz pojemnik na kurz w sposób pokazany poniżej. Zbliż pojemnik na kurz do pojemnika na śmieci i usuń gruboziarnisty kurz, lekko stukając w pojemnik.

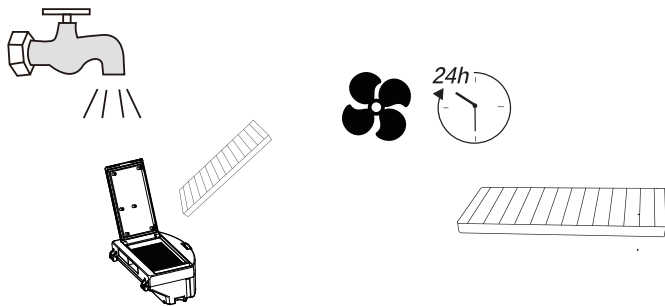


4. Wyjmij filtr o wysokiej wydajności i wyczyść go za pomocą szczoteczki do czyszczenia dostarczonej wraz z urządzeniem.



6 Czyszczenie i konserwacja

5. Okresowo myj zbiornik wody, pojemnik na kurz i zespół filtra **zimną wodą**, zgodnie z częstotliwością używania.



6. Po umyciu pozostaw zbiornik wody, pojemnik na kurz i zespół filtra do wyschnięcia i upewnij się, że są całkowicie wysuszone.



Suszenie może potrwać od 24 do 48 godzin.

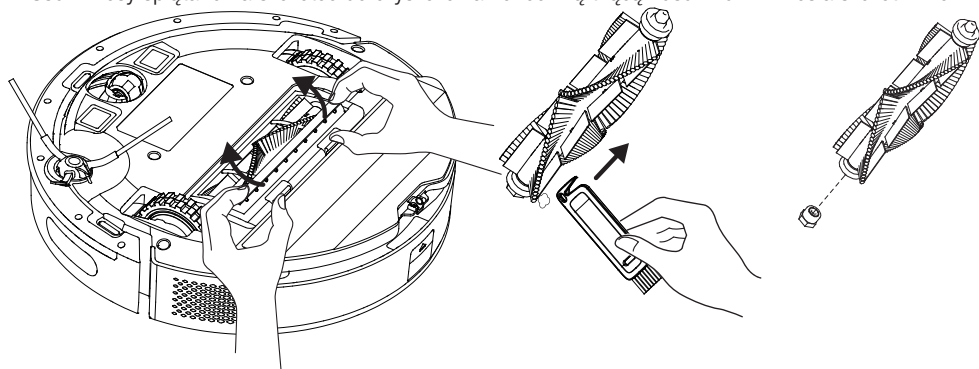
7. Po wysuszeniu na powietrzu złożź zbiornik wody, pojemnik na kurz i zespół filtra, a następnie zamontuj zespół w odkurzaczu.



OSTRZEŻENIE: Nie używaj odkurzacza bez zamontowania zespołu filtrów. W przeciwnym razie urządzenie może ulec uszkodzeniu.

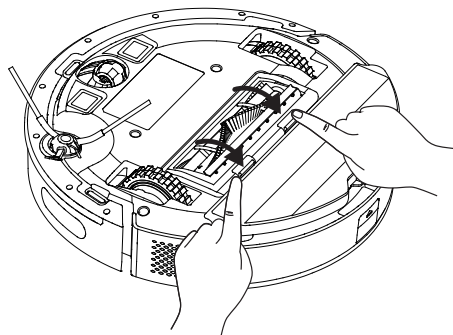
6.2 Czyszczenie szczotki

1. Otwórz górną pokrywę szczotki głównej, naciskając na zaczepy. Pociągnij i wyjmij główną rolkę do góry. Usuń włosy splątane na szczotce do czyszczenia końcówką tnącą i usuń kurz z włosa szczotki i rolki.

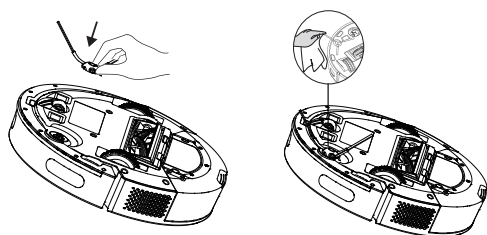


6 Czyszczenie i konserwacja

2. Po wyczyszczeniu szczotki załóż ją ponownie i zamknij pokrywę zgodnie z kierunkiem strzałki.



6.3 Czyszczenie i montaż szczotki bocznej



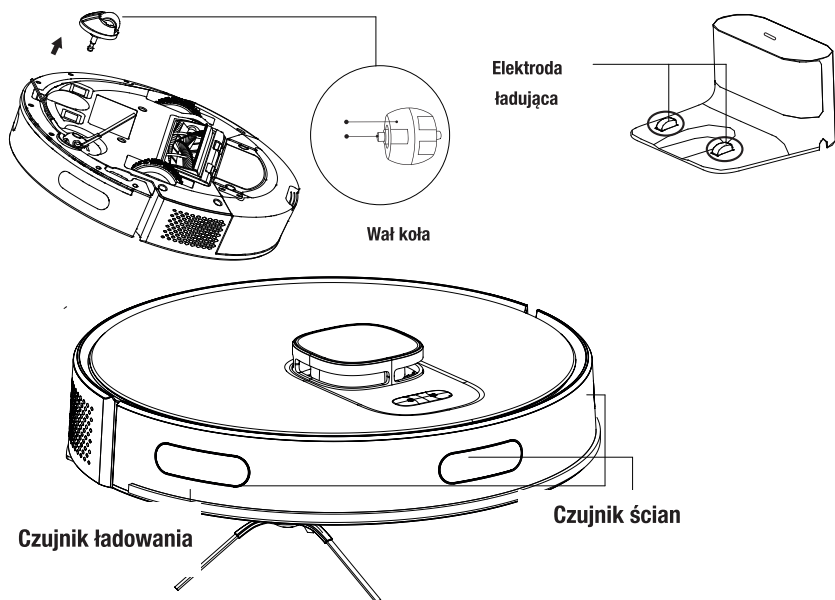
W przypadku długiego użytkowania należy umyć szczotkę boczną ciepłą wodą, aby uniknąć deformacji kształtu. Po wysuszeniu zamontuj ją na robocie w sposób pokazany na rysunku.

6 Czyszczenie i konserwacja

6.4 Czyszczenie czujników

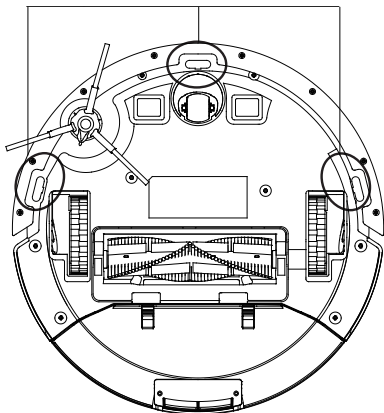
Czujniki należy regularnie czyścić i usuwać kurz za pomocą suchej i miękkiej szmatki lub szczoteczki do czyszczenia.

Informacja: Otrzymasz powiadomienie za pośrednictwem aplikacji, gdy wymagane jest czyszczenie czujnika.



6 Czyszczenie i konserwacja

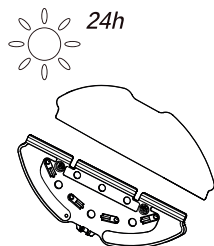
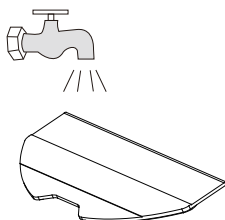
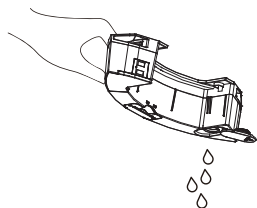
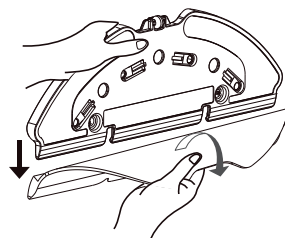
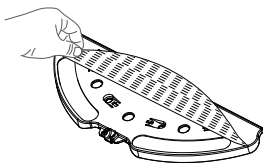
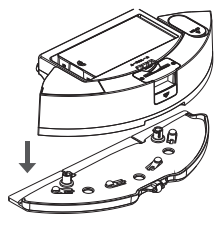
Czujnik zabezpieczenia przed upadkiem



6.5 Czyszczenie modułu mopującego

Zalecamy zdjęcie uchwyty mopa z jednej strony, opróżnienie zbiornika na wodę, opłukanie mopa wodą, a następnie pozostawienie go do wyschnięcia po każdym użyciu modułu mopującego.

Mop można prać w pralce.



7 Rozwiązywanie problemów

Ogólne opisy błędów

Awaria	Przyczyna i środek zaradczy
Nie można obsługiwać	<ol style="list-style-type: none">1. Niski poziom naładowania. Umieść odkurzacz w stacji ładującej, aby był wyrównany z biegunem ładującym. Ustaw przycisk po lewej stronie odkurzacza w pozycji „I”; a odkurzacz będzie obsługiwany automatycznie (gdy odkurzacz jest całkowicie rozładowany, do pracy automatycznej konieczne będzie chwilowe ładowanie).2. Temperatura otoczenia jest bardzo niska (poniżej 0 °C) lub bardzo wysoka (powyżej 50 °C). Proszę używać odkurzacza w temperaturze otoczenia od 0 do 40 °C.3. Upewnij się, że przycisk włączania/wyłączania z boku odkurzacza jest ustawiony w pozycji „I”.
Akumulator nie ładuje się	<ol style="list-style-type: none">1. Wyjmij odkurzacz i sprawdź, czy świeci się kontrolka na stacji ładującej lub upewnij się, że oba końce zasilacza stacji ładującej są podłączone.2. Luźny styk. Oczyszczyć styki sprężynowe w stacji ładującej i styki ładowania w odkurzaczu.3. Upewnij się, że przycisk włączania/wyłączania z boku odkurzacza jest ustawiony w pozycji „I”.
Nie powraca do stacji dokującej/stacji w celu naładowania	<ol style="list-style-type: none">1. Wokół stacji ładującej jest zbyt wiele przeszkód. Umieść stację ładującą w miejscu wolnym od przeszkód.2. Odkurzacz znajduje się zbyt daleko od stacji ładującej lub. Umieść odkurzacz bliżej stacji ładującej lub spróbuj ponownie.3. Upewnij się, że stacja ładująca jest podłączona i jest zasilana prądem.
Nieprawidłowe działanie	<ol style="list-style-type: none">1. Wyłącz i włącz ponownie.
Działa z nieprawidłowym hałasem.	<ol style="list-style-type: none">1. Do szczotki głównej, szczotki bocznych i kół mogły przedostać się ciała obce. Wyłącz odkurzacz i wyczyść go.
Wydajność czyszczenia jest niska / kurz wysypuje się	<ol style="list-style-type: none">1. Pojemnik na kurz jest pełny. Wyczyść pojemnik na kurz.2. Filtr jest niedrożny. Wyczyść lub wymień filtr.3. Do szczotki głównej mogły dostać się ciała obce. Wyczyść szczotkę główną.
Nie może połączyć się z siecią Wi-Fi.	<ol style="list-style-type: none">1. Sygnał Wi-Fi jest słaby. Upewnij się, że sygnał Wi-Fi w miejscu, w którym znajduje się odkurzacz, jest silny.2. Wystąpił nieprawidłowy stan połączenia Wi-Fi. Zresetuj sieć Wi-Fi, pobierz najnowszą aplikację mobilną i spróbuj ponownie.3. Hasło nie zostało wprowadzone prawidłowo.4. Użyty router to model, który działa w paśmie częstotliwości 5G (ten robot obsługuje tylko pasmo częstotliwości 2,4G).

7 Rozwiązywanie problemów

Funkcja czyszczenia czasowego nie działa	Niski poziom naładowania. Czyszczenie czasowe można rozpocząć tylko wtedy, gdy poziom naładowania wynosi $\geq 20\%$.
Odkurzacz zużywa energię, gdy znajduje się w stacji ładującej	Odkurzacz zużywa bardzo mało energii, gdy znajduje się w stacji ładującej ta funkcja pozwala utrzymać wydajność akumulatora na najlepszym poziomie.
Odkurzacz wymaga ładowania przez 16 godzin w pierwszych trzech operacjach ładowania	Bateria litowa nie ma efektu pamięci, gdy jest używana i nie wymaga czasu oczekiwania, gdy jest w pełni naładowana.

Lista awarii

W przypadku awarii odkurzacza miga czerwona kontrolka odkurzacza i jednocześnie rozlega się odpowiedni sygnał dźwiękowy. Postępuj zgodnie z komunikatami dźwiękowymi, aby usunąć usterkę.

Sygnal dźwiękowy	Rozwiązanie
Błąd 1: Akumulator działa nieprawidłowo. Zapoznaj się z instrukcją obsługi lub aplikacją.	<ul style="list-style-type: none">Otwórz komorę akumulatora, sprawdź, czy połączenie akumulatora jest prawidłowe i uruchom ponownie odkurzacz.Temperatura akumulatora jest bardzo wysoka lub bardzo niska. Poczekać, aż temperatura akumulatora osiągnie normalne wartości (0 °C~40 °C/32°F~104 °F).
Błąd 2: Moduł koła działa nieprawidłowo. Zapoznaj się z instrukcją obsługi lub aplikacją.	<ul style="list-style-type: none">Sprawdź, czy w kołach nie ma ciał obcych i uruchom ponownie odkurzacz.
Błąd 3: Moduł szczotki bocznej działa nieprawidłowo. Zapoznaj się z instrukcją obsługi lub aplikacją.	<ul style="list-style-type: none">Sprawdź, czy w szczotce bocznej nie ma ciał obcych i uruchom ponownie odkurzacz
Błąd 4: Wentylator działa nieprawidłowo. Zapoznaj się z instrukcją obsługi lub aplikacją.	<ul style="list-style-type: none">Sprawdź, czy w wentylatorze nie ma ciał obcych i uruchom ponownie odkurzacz.Sprawdź pojemnik na kurz i filtr, a następnie uruchom ponownie odkurzacz.
Błąd 5: Szczotka obrotowa działa nieprawidłowo. Zapoznaj się z instrukcją obsługi lub aplikacją.	<ul style="list-style-type: none">Zdejmij szczotkę obrotową i wyczyść szczotkę obrotową, część łączącą szczotki, pokrywę szczotki obrotowej i dyszę do kurzu. Po zakończeniu czyszczenia uruchom ponownie odkurzacz.

7 Rozwiązywanie problemów

Błąd 6: Pompa wody działa nieprawidłowo. Zapoznaj się z instrukcją obsługi lub aplikacją.	<ul style="list-style-type: none">• Wyczyść zbiornik wody, połączenia pompy wody w zbiorniku oraz urządzenie i wylot wody pod odkurzaczem i sprawdź moduł mopujący. Po zakończeniu czyszczenia spróbuj ponownie uruchomić odkurzacza.
Błąd 7: Czujnik laserowy działa nieprawidłowo. Zapoznaj się z instrukcją obsługi lub aplikacją.	<ul style="list-style-type: none">• Sprawdź, czy wewnątrz czujnika laserowego nie ma żadnych ciał obcych, w razie potrzeby oczyść go i ponownie uruchom odkurzacza.
Błąd 9: Nieprawidłowe działanie ładowania. Oczyść powierzchnię styków ładowania.	<ul style="list-style-type: none">• Sprawdź, czy w obszarze ładowania nie ma żadnych zanieczyszczeń i wyczyść bieguny ładowania.• Sprawdź, czy akumulator jest prawidłowo podłączony.
Błąd 10: Odkurzacza działa nieprawidłowo. Wyłącz i uruchom ponownie.	<ul style="list-style-type: none">• Ustaw główny przycisk w pozycji 0 i z powrotem w pozycji I i uruchom ponownie odkurzacza
Błąd 12: Nieprawidłowe działanie. Upewnij się, że główny przycisk jest włączony.	<ul style="list-style-type: none">• Najpierw ustaw główny przycisk w położeniu włączenia

Drodzy Klienci,

Điękujemy za zakup naszych produktów. Jesteśmy przekonani, że nasze urządzenia będą służyć przez lata. KaŹdy produkt firmy Beko jest objęty 2-letnim okresem gwarancji.

Warunki gwarancji Beko S.A. (małe urządzenia AGD)

BEKO spółka akcyjna z siedzibą w Warszawie (02-819), przy ulicy Puławskiej 366, wpisana do rejestru przedsiębiorców prowadzonego przez Sąd Rejonowy dla m.st. Warszawy w Warszawie, XIII Wydział Gospodarczy Krajowego Rejestru Sądowego, pod numerem: 0000078147 (dalej: „BEKO”) udziela gwarancji jakości (dalej: „Gwarancja”) na wprowadzone przez BEKO do obrotu na terenie Polski produkty marki BEKO (dalej: „Urządzenia”) osobom, które nabyły te produkty („Użytkownik”) na następujących warunkach:

I. ZAKRES OCHRONY.

BEKO gwarantuje, że Urządzenie zakupione przez Użytkownika jest wolne od wad produkcyjnych lub materiałowych, powstałych z przyczyn tkwiących w tym Urządzeniu (dalej: „Wada”), które ujawnią się w ciągu terminu określonego w części II. niniejszych Warunków Gwarancji (dalej: „Okres Gwarancyjny”).

W razie ujawnienia się Wady Produktu w trakcie Okresu Gwarancyjnego, zostanie ona usunięta na koszt BEKO w sposób uzależniony od właściwości wady, na zasadach i w zakresie określonym w niniejszych Warunkach Gwarancji.

BEKO zobowiązuje się do usunięcia Wady poprzez dokonanie nieodpłatnej naprawy lub wymiany Urządzenia, bądź też reklamacja zgłoszona na podstawie niniejszych Warunków Gwarancji zostanie rozpatrzona w inny sposób uzgodniony przez BEKO i Użytkownika.

Udzielona gwarancja jest ważna na terytorium Rzeczypospolitej Polskiej.

II. CZAS TRWANIA GWARANCJI.

Okres Gwarancyjny wynosi 24 miesiące licząc od daty zakupu Urządzenia przez pierwsze- go Użytkownika.

III. PROCEDURA ZGŁOSZENIA REKLAMACYJNEGO.

Wady Urządzenia ujawnione w Okresie Gwarancyjnym będą usuwane pod warunkiem przedstawienia przez Użytkownika dowodu zakupu tego Urządzenia zawierającego oznaczenia niezbędne do jego identyfikacji (model, datę zakupu).

Uprawnienia wynikające z niniejszych Warunków Gwarancji mogą być zrealizowane przez Użytkownika wyłącznie w Autoryzowanych Punktach Serwisowych BEKO (dalej: „Serwis”) po uprzednim dokonaniu zgłoszenia na Infolinii BEKO pod numerem telefonu: 22 250 14 14. Urządzenie powinno być odpowiednio zapakowane i zabezpieczone przez Użytkownika na czas transportu do punktu serwisowego Beko.

Wady Urządzenia będą usunięte w terminie 14 dni od daty zgłoszenia Wady na Infolinii BEKO.

Jeżeli część zamienna wymieniana w ramach uprawnień wynikających z niniejszych Warunków Gwarancji Urządzenia jest sprowadzana z zagranicy, termin naprawy, o którym mowa w punkcie 5 powyżej, może ulec wydłużeniu jednak, nie więcej niż do 30 dni licząc odpowiednio od daty zgłoszenia Wady na Infolinii BEKO. Informacje o spodziewanych terminach napraw dostępne są na Infolinii BEKO pod numerem 22 250 14 14. Po usunięciu Wady, Urządzenie zostanie dostarczone Użytkownikowi na koszt BEKO.

IV. WYŁĄCZENIA.

Warunkiem skorzystania z niniejszych Warunków Gwarancji jest:

- użytkowanie Urządzenia zgodnie z Instrukcją Obsługi dołączonej do tego Urządzenia i jego przeznaczeniem, jak również odpowiednie czyszczenie i konserwacje Urządzenia;
- użytkowanie w warunkach indywidualnego gospodarstwa domowego. Urządzenie nie jest używane do celów prowadzenia działalności gospodarczej lub w zastosowaniach eksploatacji masowej, w szczególności w gastronomicznej działalności hoteli, restauracji i innych obiektów turystyczno-rekreacyjnych lub zbiorowego żywienia. Stosowanie osprzętu zalecanego przez producenta; brak ingerencji w Urządzenie przez osoby do tego nieupoważnione; brak ingerencji w tabliczkę znamionową z numerem seryjnym Urządzenia.

Udzielona przez Beko Gwarancja nie obejmuje:

- wad powstałych z przyczyn innych niż tkwiące w Urządzeniu;
- normalnego zużycia elementów eksploatacyjnych tj. akumulatory, baterie, noże, filtry, żarówki, szczotki, itp.;
- czynności przewidzianych w Instrukcji Obsługi, do wykonania których zobowiązany jest Użytkownik Urządzenia we własnym zakresie i na swój koszt, w tym: instruktażu dotyczącego obsługi Urządzenia, instalacji oraz regulacji urządzenia.
- usterek powstałych w wyniku nieprawidłowego lub niewłaściwego użytkowania, niedbalstwa, przypadkowego uszkodzenia Urządzenia, nieodpowiedniego napięcia prądu lub dokonania jakichkolwiek zmian, które mają wpływ na niewłaściwe działanie Urządzenia, i które naprawiane były przez osoby nieupoważnione, używania instalacji niezgodnych z odpowiednimi Polskimi Normami i innych niż wymienione w Instrukcji Obsługi Urządzenia;
- uszkodzeń mechanicznych, termicznych, chemicznych, korozji, innych uszkodzeń spowodowanych działaniem lub zaniedbaniem Użytkownika lub powstałych na skutek działania sił zewnętrznych (do których zalicza się w szczególności wyładowania atmosferyczne, skoki napięcia, wszystkiego rodzaju awarie domowej instalacji wodno-kanalizacyjnej, itp.), a także powstałych na skutek przedostania się zanieczyszczeń lub ciał obcych do Urządzenia, zakamienienia (proces odkamieniania musi być przeprowadzany zgodnie z instrukcją obsługi z użyciem odpowiednich środków czyszczących) elementów ze szkła, plastiku oraz porcelany; odbarwień Urządzenia lub poszczególnych jego części;
- usterek powstałych na skutek przechowywania i użytkowania Urządzenia w warunkach, które są niezgodne z normalnymi warunkami domowymi określonymi wymaganiami powszechnie obowiązujących przepisów prawa i odpowiednich Polskich Norm;

V. POZOSTAŁE POSTANOWIENIA.

Niniejsze warunki gwarancji mają zastosowanie do Urządzeń zakupionych od dnia 01.03.2019 r. Gwarant oświadcza, że niniejsza Gwarancja jest udzielana Użytkownikowi dodatkowo i nie wyłącza, nie ogranicza ani nie zawiesza uprawnień Użytkownika wynikających z przepisów o rękojmi za wady rzeczy sprzedanej na podstawie Kodeksu cywilnego.




Vă rugăm citiți mai întâi acest ghid!

Stimate client,

Vă mulțumim că ați ales un produs BEKO. Dorim să obțineți eficiența optimă de la acest produs de înaltă calitate fabricat cu tehnologie de ultimă generație. Vă rugăm să citiți și să înțelegeți integral acest ghid și documentația suplimentară înainte de utilizare și să îl păstrați ca referință. Includeți acest ghid împreună cu unitatea dacă o predați altcuiva. Respectați toate avertismentele și informațiile din acest document și urmați instrucțiunile.

Simboluri și semnificațiile lor

Următoarele simboluri sunt utilizate pe parcursul acestui ghid:

	Informații importante și recomandări utile privind utilizarea aparatului.
	AVERTIZARE: Avertizări despre situații periculoase privind siguranța vieții și bunurilor.
	Clasa de protecție împotriva șocurilor electrice.



HĂRTIE RECICLATĂ ȘI
RECICLABILĂ

1 Instrucțiuni importante referitoare la siguranță și mediul înconjurător

Această secțiune conține instrucțiuni de siguranță pentru prevenirea pericolelor care pot cauza vătămări corporale sau daune materiale.

Orice garanție este nulă dacă aceste instrucțiuni nu sunt respectate.

1.1 Siguranță generală

- Acest aparat este conform cu standardele internaționale de siguranță.
- Acest dispozitiv poate fi utilizat de copiii cu vârsta peste 8 ani, de persoane cu probleme fizice, senzoriale sau psihice ori de persoane fără experiență sau cunoștințe; atâta timp cât se asigură controlul sau le sunt furnizate informații privind utilizarea în siguranță a dispozitivului cât și despre potențialele pericole. Copiii nu trebuie să se joace cu aparatul. Curățarea și operațiunile de întreținere nu trebuie realizate de copii nesupravegheați.
- Nu utilizați aparatul dacă cablul de alimentare sau aparatul este deteriorat. Contactați unitatea autorizată de service.
- Sursa dumneavoastră de alimentare trebuie să fie conformă cu informațiile specificate pe eticheta de tip de pe aparat.
- Nu utilizați aparatul cu un prelungitor.
- Pentru a preveni deteriorarea cablului de alimentare, evitați prinderea, îndoirea sau frecarea acestuia de margini ascuțite.
- Dacă aveți mâinile umede sau ude, nu atingeți ștecherul aparatului când este conectat la priză.
- Nu deconectați aparatul trăgând de cablu.
- Nu aspirați materiale inflamabile și asigurați-vă că scrumul de țigară este stins înainte de a-l curăța.
- Nu aspirați apă sau alte lichide.
- Protejați aparatul de precipitații, umiditate și surse de căldură.

1 Instrucțiuni importante referitoare la siguranță și mediul înconjurător

- Nu utilizați aparatul în medii și substanțe explozive sau inflamabile sau în apropierea acestora.
- Înainte de curățare și întreținere, scoateți aparatul din priză.
- Pentru curățare, nu introduceți aparatul sau cablul acestuia în apă.
- Nu dezamblați aparatul.
- Utilizați doar componente originale sau componente recomandate de către producător.
- Pentru a preveni obturarea filtrului sau deteriorarea motorului, nu aspirați ciment, tencuială sau hârtie compactată.
- Utilizați aparatul numai cu adaptorul cu care a fost furnizat.
- Nu utilizați aparatul fără filtre deoarece poate fi deteriorat.
- Dacă păstrați materialele de ambalare, depozitați-le în locuri inaccesibile copiilor.
- Acest aparat nu este destinat utilizării de către persoane, inclusiv copii, cu dizabilități fizice, senzoriale și mentale sau de către persoane fără experiență și cunoștințe adecvate despre utilizarea acestuia, cu excepția cazului în care sunt supravegheate de persoane responsabile pentru siguranța lor sau persoanele au fost informate despre modul de funcționare a aparatului.
- Copiii vor fi supravegheați pentru a preveni joaca cu aparatul.
- Înainte de a începe orice procedură de curățare sau întreținere, decuplați adaptorul și înlăturați acumulatorul.
- Pentru a evita orice risc de pericol, adaptorul deteriorat ar trebui înlocuit de către producător, reprezentantul autorizat al producătorului sau de un tehnician calificat similar.
- În timp ce aspirați, feriți degetele, părul și hainele largi de componentele în mișcare sau de degajări.

1 Instrucțiuni importante referitoare la siguranță și mediul înconjurător

- Bateria ar trebui înlăturată din aparat, înainte de a fi scos din uz.
- Deconectați aparatul de la sursa de alimentare, înainte de scoaterea bateriei.
- Vă rugăm să eliminați bateriile în conformitate cu reglementările și legislația locală.
- Bateriile acestui aparat pot fi înlocuite numai la o unitate autorizată de service.
- Nu folosiți tipuri diferite de baterii sau combinații de baterii vechi și noi.
- Bateriile trebuie instalate cu polaritatea corectă.
- Nu scurtcircuitați bornele de alimentare.
- Trebuie utilizat numai cu bateriile LG ME1XXFG CM 3200 mAh.
- Acest aparat nu trebuie utilizat de către copii și persoane cu capacitate fizică sau senzorială sau capacitate cognitivă limitată, sau de persoane fără experiență și cunoștințe, decât dacă sunt supravegheate sau au primit instrucțiuni relevante.
- Copiii vor fi supravegheați pentru a preveni joaca cu aparatul.
- Nu așezați obiecte pe aparat.
- Nu utilizați aparatul pe suprafețe la înălțime precum masă sau scaun.
- Acest produs nu este destinat utilizării comerciale, este destinat utilizării la domiciliu și în aplicații după cum urmează:
 - în bucătăriile pentru personalul magazinelor, birouri și în alte medii de lucru,
 - în ferme,
 - de către clienții în hoteluri, moteluri sau alte unități de cazare;
 - în hosteluri sau alte medii similare.
 - în locuri de dormit și unde se servește micul dejun
- Nu așezați obiecte pe aparat. Asigurați-vă că copiii și animalele domestice nu se urcă pe aparat.

1 Instrucțiuni importante referitoare la siguranță și mediul înconjurător

1.2 Conformitatea cu Regulamentul WEEE și eliminarea deșeurilor



Acest produs respectă Directiva UE WEEE (2012/19/UE). Produsul este marcat cu un simbol de clasificare pentru deșeurile electrice și electronice (WEEE).

Acest simbol indică faptul că produsul nu trebuie eliminat cu alte deșeurile menajere la finalul perioadei de utilizare. Dispozitivele utilizate trebuie returnate la punctul special de reciclare de dispozitive electrice și electronice. Pentru a găsi aceste sisteme de colectare contactați autoritățile locale sau distribuitorul de la care a fost achiziționat produsul. Fiecare gospodărie are un rol important în recuperarea și reciclarea electrocasnicelor vechi. Eliminarea corespunzătoare a electrocasnicelor utilizate ajută la prevenirea posibilelor consecințe negative pentru mediu și sănătatea umană.

1.3 Informații despre ambalaj



Ambalajul produsului este fabricat din materiale reciclabile, în conformitate cu legislația națională.

Nu eliminați deșeurile de ambalaje împreună cu deșeurile menajere sau alte deșeurile, ci eliminați-le în zonele de colectare a ambalajelor specificate de către autoritățile locale.

1.4 Baterii uzate

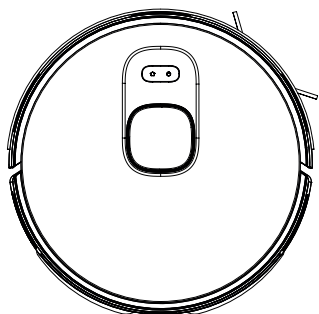


Asigurați-vă că bateriile uzate sunt eliminate în conformitate cu reglementările și legislația locală. Simbolul de pe baterie și de pe ambalaj semnalizează faptul că bateria furnizată cu acest produs nu trebuie eliminată împreună cu deșeurile menajere. În anumite regiuni, acest simbol este reprezentat însoțit de un simbol chimic. În situația în care bateriile conțin mercur mai mult de 0,0005% și plumb mai mult de 0,004%, simbolul chimic Hg este adăugat pentru mercur iar simbolul chimic Pb este adăugat pentru plumb sub simbol. Prin asigurarea unei eliminări corecte a bateriilor, contribuiți la prevenirea potențialelor daune asupra mediului și sănătății umane, pericole rezultate din cauza eliminării necorespunzătoare a bateriilor.

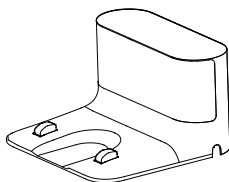
1.5 Modalități de reducere a consumului de energie electrică

- Când folosiți aparatul, ajustați setările de viteză în funcție de suprafață pentru a economisi energie.
- În mod normal, pentru curățarea suprafețelor dure sunt necesare viteze reduse, în timp ce pentru curățarea covoarelor sunt necesare viteze ridicate.

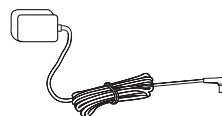
2 Conținutul cutiei



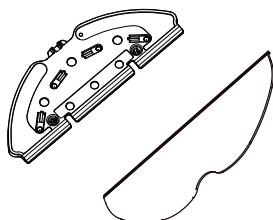
ROBOT ASPIRATOR



Stație de încărcare



Adaptor de încărcare

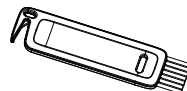


Unealtă de ștergere

Laveta



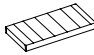


Manual de utilizare și
Documentația produsului
(2 bucăți)

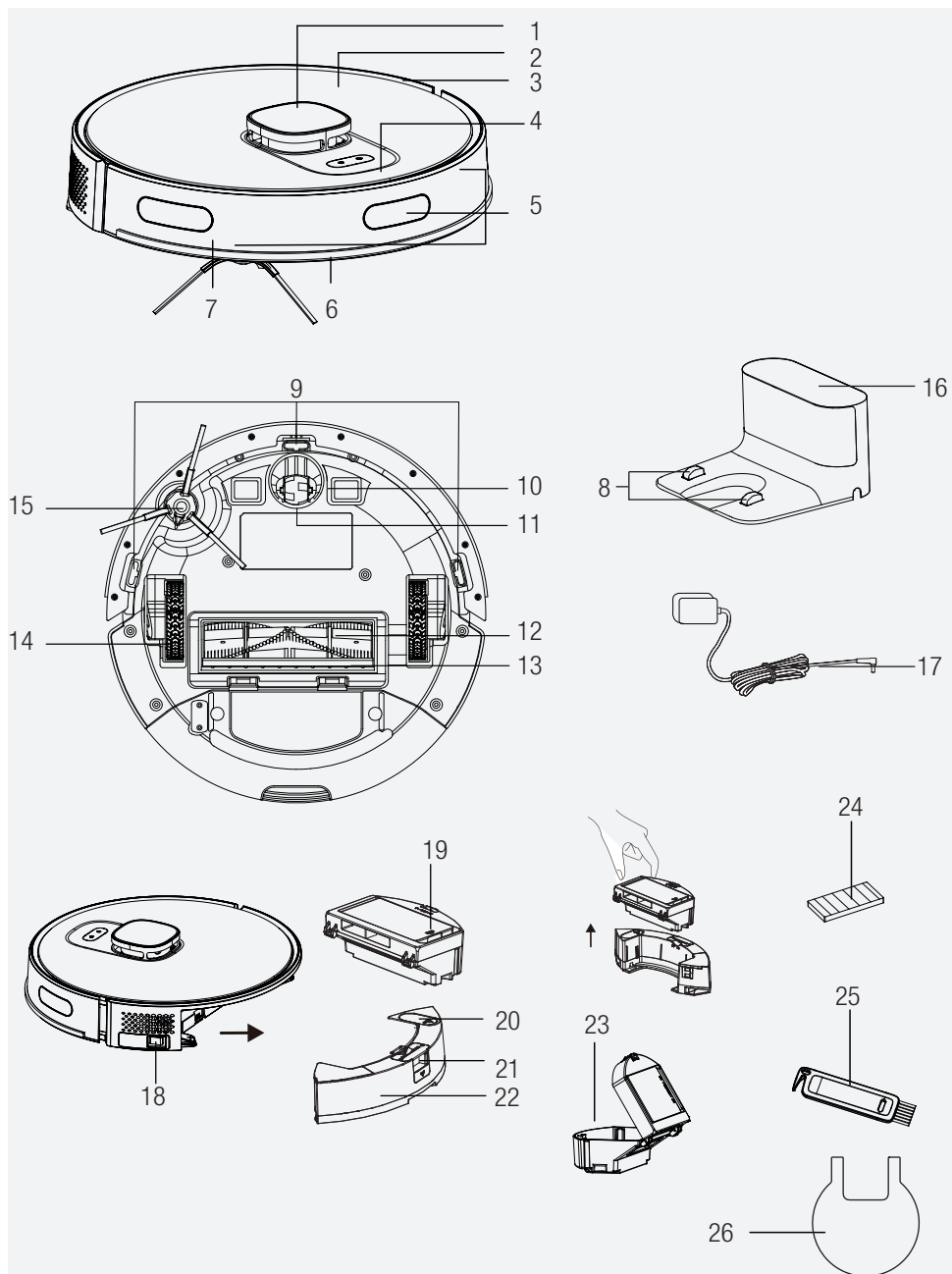


Perie de curățare

Accesorii de schimb furnizate

	1 Perie laterală
	1 Cârpă de ștergere
	1 Filtru

3 Prezentare generală



3 Prezentare generală

2.1 Verificări și componente

1. Radar obstacole
2. Corpul superior
3. Corpul central
4. Butonul Pornire curățare-Pauză / Buton Trimitere la suportul de încărcare
5. Senzor bară de protecție
6. Bara de protecție frontală
7. Senzor de lovire bară de protecție frontală
8. Știfturi de încărcare
9. Senzor de prevenție a căderii
10. Știfturi de încărcare
11. Roată rotativă față
12. Peria rotativă
13. Capacul periei rotative
14. Roată spate
15. Perie laterală
16. Stație de încărcare
17. Adaptor de încărcare
18. Buton Pornit/Oprit
19. Capacul deschidere filtru EPA pentru recipient aspirator robot
20. Capac umplere recipient apă mop
21. Buton evacuare recipient praf aspirator robot
22. Recipient apă mop
23. Recipient praf
24. Filtrul EPA
25. Perie de curățare
26. Tampă de protecție a podelei împotriva umezelii

2.2 Date tehnice

Tensiune adaptor	100-240V~, 50-60 Hz
Ieșire adaptor	24.0V / 1.0 A
Baterie	Li-ion: 14.4V / 3.2 Ah
Timp de încărcare	4-5 ore
Timp de funcționare	Timp de funcționare Până la 150 de minute (in modul silentios)
Capacitatea recipientului de praf	0.4 L
Capacitatea rezervorului de apă	0.3 L
Banda de frecvență Wi-Fi 2,4G	2412-2472 MHz
Conexiuni suportate	WLAN IEEE 802.11 b/g/n wireless
Putere maximă de ieșire radiofrecvență Wi-Fi 2,4G	20 dBm
Informații despre expunerea la frecvențe radio	2.4G Wi-Fi maxim
Timp de funcționare	Maxim: 70 minute Puternic: 80 minute Standard: 120 minute Silentios: 150 minute

Informații despre expunerea la radiofrecvențe:

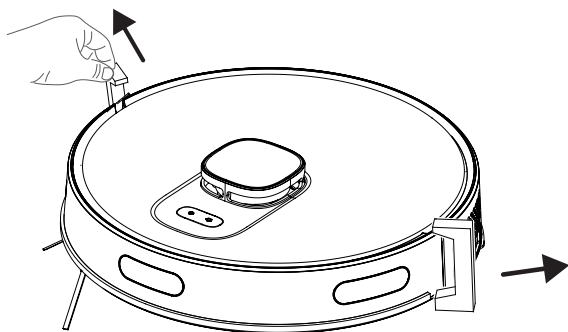
Nivelul maxim permis pentru expunere este calculat în conformitate cu distanța de 20 cm între aparat și corpul uman. Pentru conformarea condiției de expunere la radiofrecvență, trebuie păstrată o distanță de 20 cm între aparat și persoană.

3 Prezentare generală

Producător	E-TEK Electronics Manufactory Co., LTD
Model ID:	ZD024D240100EU
Tensiunea de intrare:	100-240V~
Frecvența de intrare	50-60Hz
Curentul la intrare	0.8A
Tensiunea la ieșire	24.0V DC
Curentul la ieșire	1.0A
Puterea de ieșire:	24.0W
Randament mediu în regim activ	87.91%
Randament la sarcină redusă (10%)	84.01%
Consum de putere fără sarcină:	0.1W

4 Instalarea

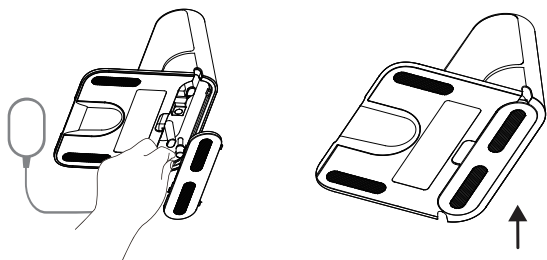
1- Îndepărtați bureții de protecție.



4 Instalarea

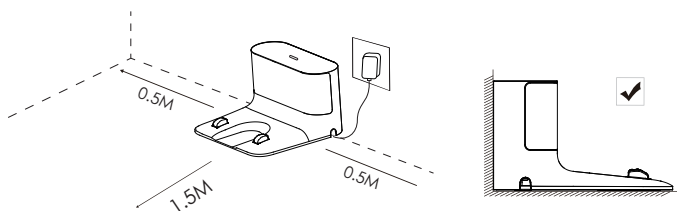
2-Instalarea stației de încărcare.

Instalați mufa adaptorului la stația de încărcare și așezați cablurile pentru a preveni înfășurarea cablului adaptorului în jurul mașinii în timpul aspirării.



Instalați stația de încărcare într-un loc ușor accesibil pentru robotul aspirator. Instalați stația de încărcare pe o suprafață dură plană în loc de un covor.

Pentru a asigura operarea lină a robotului, este recomandat să nu existe obstacole până la 1,5 metri în față și până la 0,5 metri în stânga și dreapta.



Instalați stația pe o suprafață dură plană astfel încât spatele acesteia să fie orientat spre perete, apoi conectați-o.



Păstrați întotdeauna cuplată stația de încărcare; în caz contrar robotul aspirator nu va putea reveni automat.



Pentru încărcare lină, nu mutați frecvent stația. Când locația aspiratorului este schimbată, acesta poate șterge harta existentă și va crea o nouă hartă din pricina erorii de poziționare.

5 Funcționarea



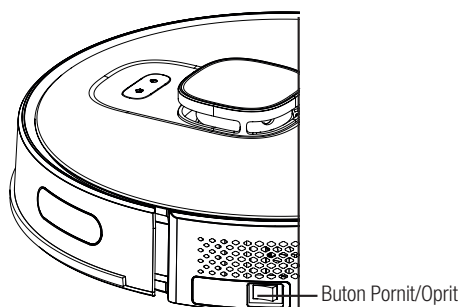
Vă rugăm să încărcați aparatul înainte de prima utilizare.

5.1. Domeniul de utilizare

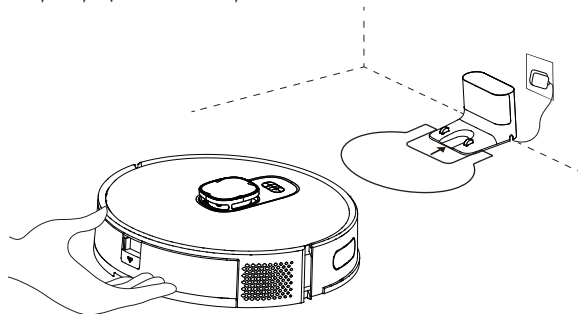
Acest aparat este destinat pentru uz casnic, nu este adecvat pentru utilizare în scopuri industriale.

5.2 Încărcarea aparatului

1. Aduceți butonul lateral pornit-oprit în poziția pornit pentru pornirea inițială.



2. Așezați aparatul la stația de încărcare astfel încât să se alinieze cu portul de încărcare.



Încărcarea începe după ce indicatorul albastru de pe stația de încărcare clipește de 3 ori și apoi se oprește în totalitate.

5 Funcționarea

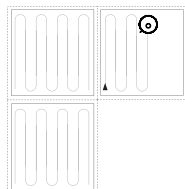
5.3 Operarea

Pentru prima utilizare, aduceți butonul lateral PORNIT/OPRIT din poziția 0 în poziția I. Pentru a porni aspiratorul, apăsați

butonul pentru 3 secunde.

- În timpul curățării, nu opriți aparatul utilizând în mod direct butonul PORNIT/OPRIT; în caz contrar datele aspiratorului nu pot fi salvate.
- Dacă butonul PORNIT/OPRIT este în poziția OPRIT, aspiratorul va fi pornit automat când este așezat în stația de încărcare și oprit automat când este înlăturat din stația de încărcare.
- Dacă aspiratorul nu va fi utilizat o perioadă lungă de timp, aduceți butonul PORNIT/OPRIT în poziția oprit.

Începerea curățării



Apăsați butonul pentru a începe curățarea în modul automat. Când este pornit, aspiratorul este înlăturat din stația de încărcare, și va efectua o scanare automată pentru a crea harta, va determina în mod inteligent ruta de curățare și va diviza zona în câteva regiuni. Ruta de curățare este planificată de-a lungul peretelui iar aspiratorul se mișcă înainte și înapoi pentru a curăța în ordine diferite regiuni.



AVERTIZARE: Dacă nivelul de încărcare este prea scăzut, curățarea nu poate fi începută. Vă rugăm încărcați aparatul înainte de a începe curățarea.



AVERTIZARE: Înainte de curățare, aranjați toate cablurile, pentru a preveni deconectările din pricina încurcării/ tragerii acestora și pentru a preveni deteriorarea mobilierului.



AVERTIZARE: În modul automat de curățare, dacă zona de curățat este mai mică de 10 metri pătrați, curățarea este făcută implicit de două ori.



AVERTIZARE: Nu mutați stația de încărcare sau în timpul curățării și asigurați-vă că puntea sau stația este cuplată; în caz contrar aspiratorul s-ar putea să nu poată reveni pentru reîncărcare.

Punerea pe pauză

Apăsați orice buton pentru a pune pe pauză operațiunea în timp ce aspiratorul este în utilizare.

Încărcarea automată: După ce curățarea este finalizată, aspiratorul revine automat pentru reîncărcare.

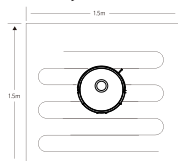
Încărcarea manuală: Aspiratorul robot revine automat la stația de încărcare atunci când apăsați butonul “🏠” de corpul superior atunci când este în poziția de pauză.

A. Dacă operarea este pusă pe pauză, apăsați butonul pentru a reîncărca automat.

5 Funcționarea

B. Dacă aspiratorul este prins undeva și nu poate găsi stația de încărcare, vă rugăm mutați dumneavoastră aspiratorul la stația de pentru a îi permite să se încarce.

Curățarea punctelor fixe



Aduceți aspiratorul în zona care trebuie curățată și apăsați butonul acestuia de două ori. Când modul este activat, aspiratorul va curăța o zonă pătrată de 1,5 x 1,5 metri considerându-se ca fiind în mijloc.

* Aspiratorul nu poate începe operațiunea de curățare în punct fix de la stația de încărcare sau.

Nu poate începe operațiunea de curățare în punct fix de la stația de încărcare sau. Când curățarea în punct fix este finalizată, nu revine la stația de încărcare și rămâne în poziția sa. Chemați-l la suportul de încărcare apăsând butonul “🏠” de pe corpul superior,

Selectarea puterii de aspirație

(Suportată numai cu aplicația mobilă relevantă) Din aplicație puteți selecta puterea dorită pentru curățare:

- Silențios
- Standard
- Puternic
- Maxim

Curățarea prin comandă de la distanță

(Suportată numai cu aplicația mobilă relevantă) *Puteți direcționa aspiratorul către zona de curățat prin utilizarea modului de control manual de la distanță prin intermediul aplicației.

Repaus

Aspiratorul comută automat în modul repaus dacă rămâne staționar pentru 10 minute. Aspiratorul comută automat în modul repaus după 10 minute de la încărcarea sa completă. Modul repaus dezactivează sarcinile actuale.

Resetarea sistemului

Pentru eliminarea aplicației contului, clientul poate apăsa butonul „rimuoviți produsul și anularea contului” pe APP pentru eliminarea tuturor datelor și a aplicației și în cloud, cum ar fi mape, cronologie de purificare, condiție a mașinii, parolă. dell’account WIFI ... etc.

Pentru resetarea sistemului, apăsați pentru 15 secunde butonul pentru modul în așteptare. Când sistemul este resetat, harta și setările originale (inclusiv limitele virtuale) din aspirator sunt șterse.



5 Funcționarea

5.3.1 Operarea cu ajutorul aplicației

Descărcați aplicația

Pentru descărcarea aplicației, căutați aplicația „HomeDirect-SDA” în magazinul de aplicații mobile. Pentru informații detaliate consultați manualul aplicației mobile.

Resetare Wi-Fi

Mențineți butoanele “” “” apăsată simultan până când auziți un sunet de avertizare; apoi indicatorul clipește încet în culoarea albă și aspiratorul comută în modul de asociere.

Adăugarea unui dispozitiv

Deschideți aplicația, creați un cont nou și urmați instrucțiunile din aplicație. * Înainte de a seta Wi-Fi, asigurați-vă că aspiratorul și rețeaua Wi-Fi întrunesc următoarele cerințe:

A. Aspiratorul:

* Nivelul de încărcare al aspiratorului să fie peste 20% sau aspiratorul să fie așezat pe stația de încărcare.

B. Rețeaua Wi-Fi:

- Obțineți parola corectă a rețelei wireless.
- Nu utilizați nicio VPN (Rețea Virtuală Privată).
- Routerul Wi-Fi să suporte protocoalele 802.11b/g/n și IPv4.
- Routerul să fie în banda de frecvență 2,4GHz sau un router cu bandă duală care suportă banda 2,4GHz, să utilizeze această. Aspiratorul nu suportă banda de frecvență 5GHz.
- Dacă aspiratorul nu se poate conecta la rețeaua Wi-Fi cu bandă duală 2,4/5GHz, pentru setările rețelei Wi-Fi vă rugăm selectați 2,4GHz. Când setarea este finalizată puteți comuta înapoi la altă bandă de frecvență.
- Dacă conectați la o rețea ascunsă, vă rugăm să vă asigurați că introduceți corect numele rețelei [SSID (sensibil la majuscule)] și că sunteți conectat la o rețea wireless 2,4 GHz.
- Dacă utilizați un extinzător de rețea wireless, vă rugăm asigurați-vă că numele rețelei (SSID) și parola sunt aceleași cu rețeaua principală.
- Pentru conectarea aspiratorului la serverul de aplicații, setați firewall-ul și portul routerului Wi-Fi după cum este solicitat.

5 Funcționarea

Eroare conexiune Wi-Fi

Stare Wi-Fi	Cauză principală	Soluție
Lumina albă este aprinsă continuu	Aspiratorul este conectat la router (modem), dar nu se poate conecta la rețea.	<ul style="list-style-type: none">• Verificați ca modemul să fie conectat la rețea.• Contactați operatorul dumneavoastră de rețea pentru a afla dacă este o problemă cu datele de internet.
Lumina albă clipește rapid	Aspiratorul nu se poate conecta la modem	<ul style="list-style-type: none">• Asigurați-vă că numele și parola rețelei nu sunt schimbate.• Resetați conexiunea Wi-Fi dacă este cazul. Vă rugăm consultați secțiunea „Resetare Wi-Fi” din capitolul „Descărcarea aplicației și resetare Wi-Fi” din acest manual.
Lumina albă clipește încet.	Wi-Fi este resetat sau nu este încă setat.	<ul style="list-style-type: none">• Asigurați-vă conexiunea Wi-Fi a aspiratorului. Pentru îndrumări detaliate vă rugăm consultați manualul aplicației mobile. Resetați conexiunea Wi-Fi dacă este cazul. Vă rugăm consultați secțiunea „Resetare Wi-Fi” a acestui manual.

Cerințele de securitate ale rețelei:

* Utilizați rețele WPA și WPA2 criptate TKIP, PSK și AES/CCMP.

5.3.2 Moduri de operare

Managementul hărții

A. Maparea încăperii în timp real

Crearea unei hărți a încăperii în timp real vă poate ajuta să înțelegeți mai ușor ruta de curățare și mediul de curățat. După curățare este creată o hartă a încăperii. Pentru a asigura o navigare normală, harta este actualizată în timp real pe durata operațiunii de aspirare. Pentru a crea o hartă completă a casei;

- Deschideți ușile încăperilor dumneavoastră pentru a vă asigura că aspiratorul creează o hartă a fiecărei încăperi;
- Înlăturați orice obiect care poate obstrucționa sau bloca aspiratorul;
- Nu schimbați locația punții de încărcare și nu o decuplați după ce harta a fost creată.

5 Funcționarea

B. Repoziționarea și recrearea hărții

Dacă aspiratorul este relocalat sau sunt făcute schimbări semnificative în mediul înconjurător, aspiratorul va încerca să se repoziționeze pentru a se adapta la noul mediu înconjurător și ar putea crea din nou o hartă relevantă. Detaliile sunt după cum urmează:

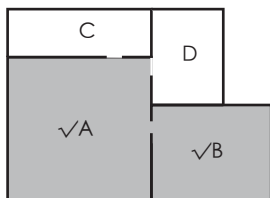
- Dacă repoziționarea a fost realizată cu succes, aspiratorul continuă curățarea;
- Dacă repoziționarea a eșuat, aspiratorul va recrea harta pentru a asigura navigarea normală pentru operațiunea de curățare;

* Asigurați-vă că aspiratorul începe operațiunea de curățare întotdeauna de la stația de încărcare.

* Nu mutați frecvent aspiratorul în timpul curățării. Dacă este mutat, aduceți-l înapoi în poziția de origine.

Modul curățare încăpere (Suportat numai de aplicația mobilă relevantă)

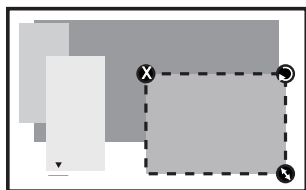
Cu aplicația mobilă puteți specifica încăperile care doriți să fie curățate, apoi aspiratorul va curăța numai încăperea(rile) care este/sunt marcate în harta regională a aplicației.



Aspiratorul poate pătrunde de asemenea și în alte zone decât cele selectate după ce începe curățarea; prin urmare vă rugăm să înlăturați obstacolele de la sol din jurul zonei selectate. Selecția zonei nu oferă o izolare sigură.

- Curățarea regională poate fi începută doar după ce aspiratorul a creat harta cu succes.

Modul curățare regională (Suportat numai de aplicația mobilă relevantă)



Dimensiunile regiunii pot fi determinate ținând din colțul din dreapta jos. Între timp, dimensiunile zonei afișate sunt scrise pe ecran cu linie punctată.

Selecți în aplicație modul de curățare regională și apoi specificați zona de curățat. Aspiratorul va curăța numai zona selectată apoi revine la stația de încărcare.

- * Curățarea regională poate fi începută doar după ce aspiratorul a creat harta cu succes.



Pentru sfaturi detaliate de utilizare consultați manualul de operare din aplicația mobilă.

5 Funcționarea

5.4 Operațiune cu mop



AVERTIZARE: Nu utilizați pe covor modul de curățare cu mop.



AVERTIZARE: Nu puneți înălbitor sau detergent în rezervorul de apă.



AVERTIZARE: Când aspiratorul nu este utilizat sau este la încărcat, înlăturați unitatea cu mop.

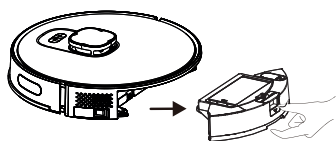


AVERTIZARE: Pentru a preveni deteriorarea podelelor din lemn, înlăturați imediat unitatea cu mop la finalizarea operațiunii de curățare cu mop.

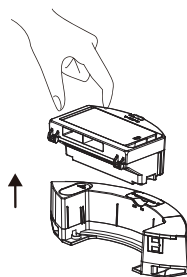


AVERTIZARE: Când operațiunea de curățare cu mop este pusă pe pauză sau finalizată, aspiratorul decuplează apa automat. În orice caz, mopul rămâne ud, din această cauză nu trebuie ținut în această condiție pentru mult timp și prin urmare trebuie înlăturat fără întârziere.

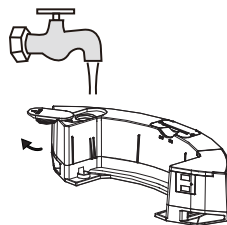
5.4.1 Instalarea unității cu mop umed



Înlăturați ansamblul recipient pentru praf și rezervor de apă (2 în 1)

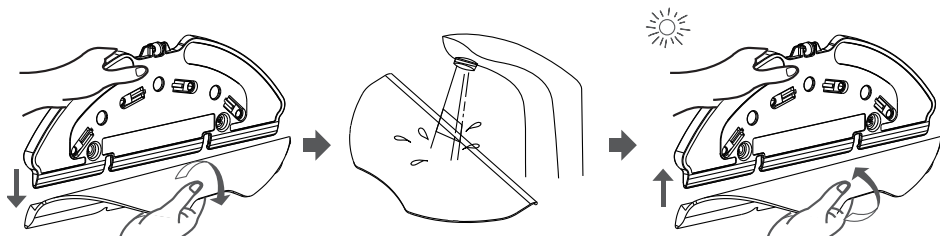


Înlăturați recipientul pentru praf.



Înlăturați dopul din cauciuc de la orificiul de alimentare și adăugați apă în rezervorul pentru apă.

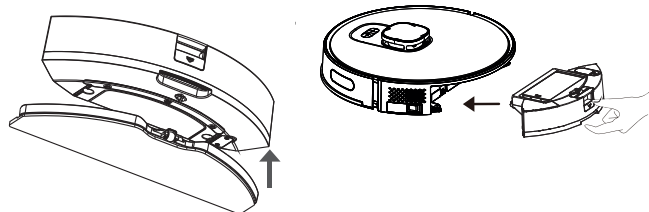
5 Funcționarea



Scoateți laveta de pe dispozitivul de susținere a mopului așa cum este prezentat.

Umeziți pământul înainte de fiecare șters cu mopul.

Dispuneți pământul pe dispozitivul de susținere a mopului.



Instalați ansamblul recipient pentru praf și rezervor de apă (2 în 1) în direcția săgeții.

Instalați ansamblul recipient pentru praf și rezervor de apă (2 în 1) pe aparat, cu locul în direcția săgeții.

5.4.2 Setare pentru utilizarea mopului umed

Puteți începe operațiunea de curățare prin selectarea modului de curățare și setați nivelul apei pentru operațiunea cu mop după cum doriți, în aplicație.

* Este recomandat să adăugați în aplicație un perete virtual (zonă interzisă pentru mop) zonelor cu covoare pentru a ține departe aspiratorul de acestea în scopul prevenirii udării covoarelor de către aspirator în timpul operațiunii de curățare cu mop.

6 Curățarea și întreținerea

Oprii aparatul și deconectați-l de la priză înainte de curățarea acestuia.



AVERTIZARE: Nu utilizați benzină, solvenți, agenți abrazivi de curățare, obiecte metalice sau perii dure pentru a curăța aparatul.

6.1 Curățarea filtrelor și a recipientului pentru praf



Puteți apela serviciul nostru de relații cu clienții pentru a comanda un nou filtru când filtrul actual a atins ciclul complet de utilizare, s-a deformat sau trebuie schimbat dintr-un motiv.

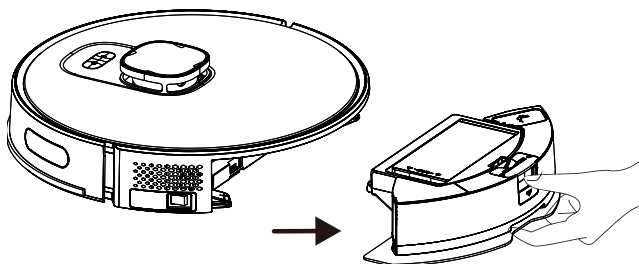


Pentru a obține performanța maximă a filtrului HEPA, după fiecare curățare curățați-l cu o perie.

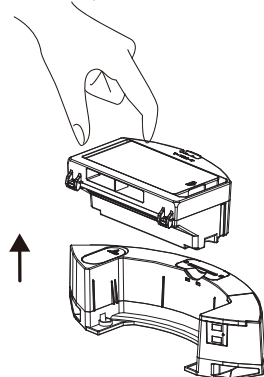
Filtrul HEPA este un accesoriu schimbabil.

Dacă ați efectuat o operațiune de curățare într-un spațiu în care există praf rezultat în urma construcțiilor și praf cu particule foarte mici, înlocuiți filtrul cu unul nou pentru ca performanța să nu fie redusă,

1. Îndepărtați ansamblul recipient pentru praf și rezervor de apă (2 în 1) prin apăsarea butonului așa cum este prezentat mai jos.



2. Înlăturați recipientul pentru praf trăgându-l în direcția săgeții.

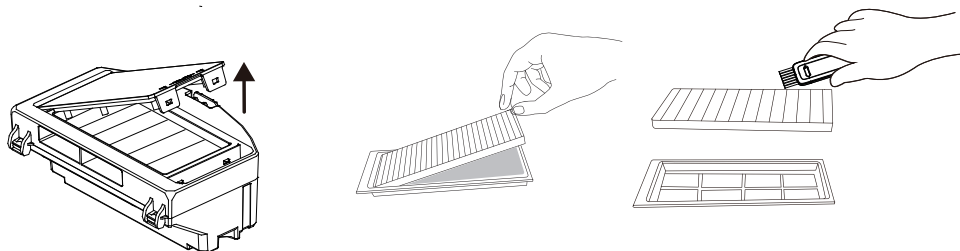


6 Curățarea și întreținerea

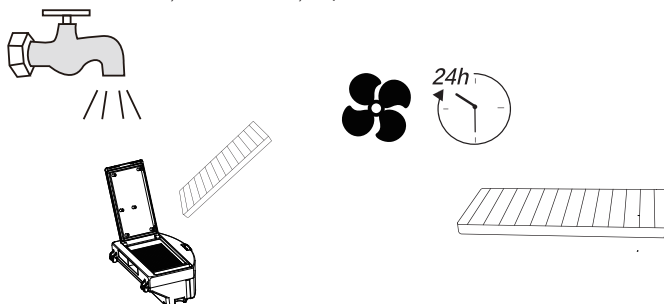
3. Deschideți recipientul pentru praf așa cum este prezentat mai jos. Aduceți recipientul pentru praf aproape de un coș de gunoi și înlăturați praful grosier lovind ușor recipientul.



4. Înlăturați filtrul de înaltă performanță și curățați filtrul cu ajutorul periei de curățare furnizate împreună cu aparatul.



5. Spălați periodic ansamblul rezervor de apă, recipient pentru praf și filtru cu **apă rece** după cum este necesar în funcție de frecvența operărilor.



6. După spălare, lăsați ansamblul rezervor de apă, recipient pentru praf și filtru să se usuce, și asigurați-vă că acestea sunt uscate complet.



Uscarea poate dura 24 până la 48 de ore.

6 Curățarea și întreținerea

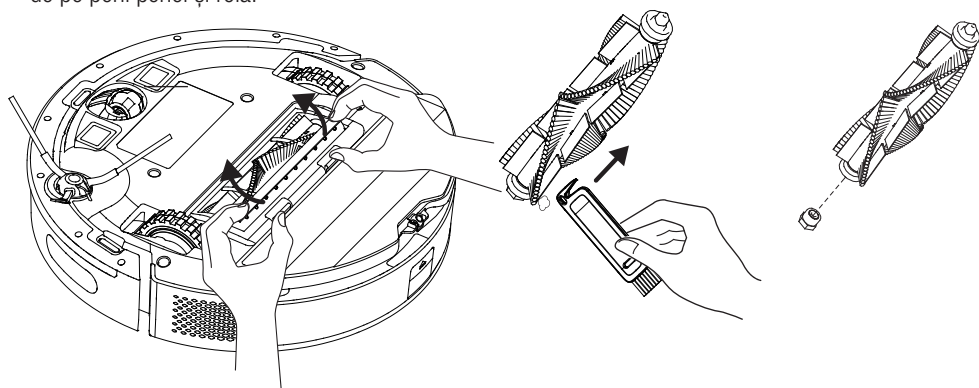
7. Asamblați ansamblul rezervor de apă, recipient pentru praf și filtru după uscarea la aer, și instalați ansamblul la aspirator.



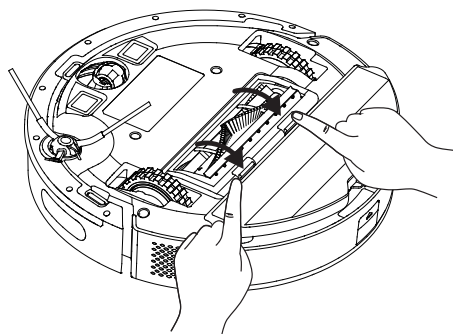
AVERTIZARE: Nu operați aspiratorul fără a avea instalat grupul filtru. În caz contrar, aparatul poate fi deteriorat.

6.2 Curățarea periei

1. Deschideți capacul superior al periei principale prin apăsarea agățătoarelor. Trageți în sus și scoateți rola principală. Îndepărtați părul încurcat de pe peria de curățare cu capătul de tăiere și înlăturați praful de pe perii periei și rolă.

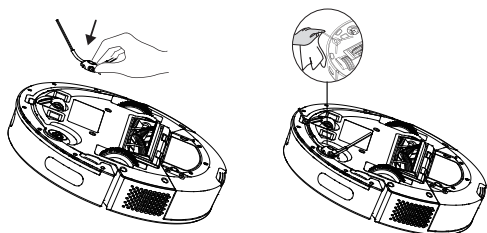


2. Reașezați peria după ce ați curățat-o și închideți capacul în direcția săgeții.



6 Curățarea și întreținerea

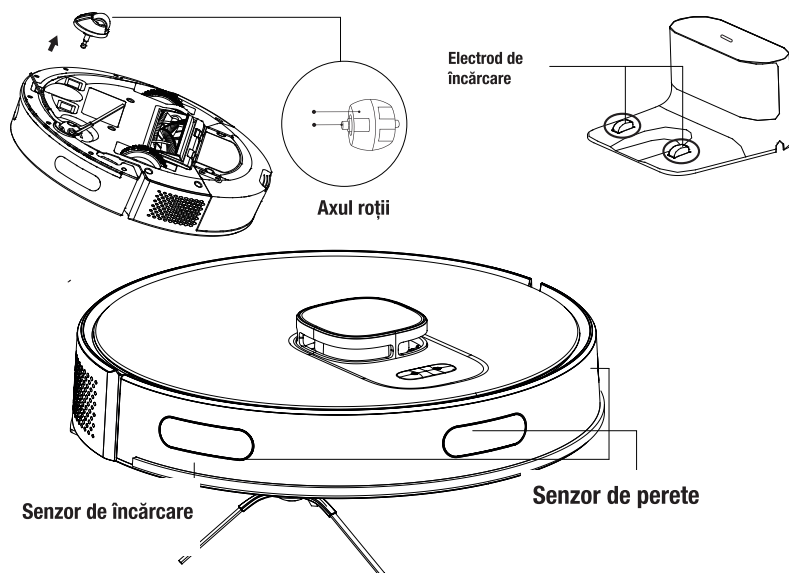
6.3 Curățarea și instalarea periei laterale



În cazul utilizării pe termen lung, spălați peria laterală cu apă caldă pentru a evita deformarea formei acesteia. După ce s-a uscat montați-o înapoi pe robot.

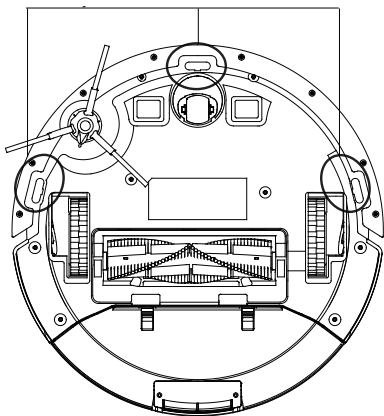
6.4 Curățarea senzorilor

Curățați regulat senzorii și înlăturați praful utilizând o cârpă moale și uscată sau o perie de curățare. Informații: Când este necesară curățarea senzorului, veți primi o notificare în aplicație.



6 Curățarea și întreținerea

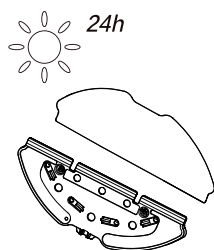
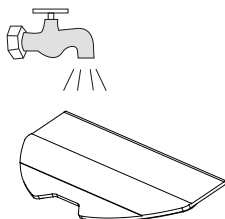
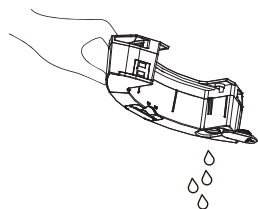
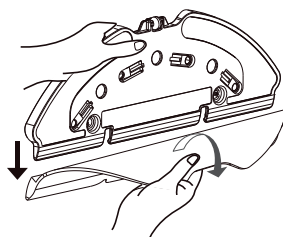
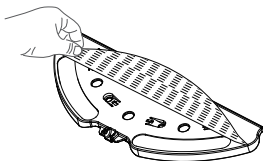
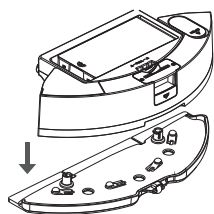
Senzor de prevenție a căderii



6.5 Curățarea unității cu mop

Vă recomandăm ca după fiecare operațiune cu unitatea cu mop să înlăturați suportul de mop dintr-o parte, să drenați rezervorul de apă, să limpeziți mopul cu apă și să îl lăsați să se usuce.

Puteți spăla mopul în mașina de spălat.



7 Depanare

Condiții generale de eroare

Eșec	Cauză și remediu
Nu poate fi operat	<ol style="list-style-type: none">1. Nivelul de încărcare este scăzut. Așezați aspiratorul pe stația de încărcare sau astfel încât să se alinieze cu bornele de încărcare. Aduceți butonul din stânga aspiratorului în poziția „I”; iar aspiratorul operează automat (Când aspiratorul este complet descărcat, va trebui să îl lăsați o perioadă la încărcat pentru operarea automată).2. Temperatura ambientală este foarte scăzută (sub 0°C) sau foarte ridicată (peste 50°C). Vă rugăm utilizați aspiratorul la o temperatură ambientală de la 0 până la 40°C.3. Vă rugăm să vă asigurați că butonul pornit/oprit din lateralul aspiratorului este adus în poziția „I”.
Bateria nu se încarcă	<ol style="list-style-type: none">1. Vă rugăm înlăturați aspiratorul și verificați dacă indicatorul luminos de pe stația de încărcare sau este iluminat și asigurați-vă că ambele capete ale adaptorului de alimentare ale stației de încărcare sunt conectate.2. Contact slab. Vă rugăm curățați contactele arcuite de pe stația de încărcare și contactele de încărcare de pe aspirator.3. Vă rugăm să vă asigurați că butonul pornit/oprit din lateralul aspiratorului este adus în poziția „I”.
Nu revine la punte/stație pentru încărcare	<ol style="list-style-type: none">1. Sunt prea multe obstacole în preajma stației de încărcare sau. Vă rugăm așezați stația de încărcare sau într-o zonă fără obstacole.2. Aspiratorul este mult prea departe de stația de încărcare sau. Aduceți aspiratorul mai aproape de stația de încărcare sau și încercați din nou.3. Asigurați-vă că stația suport de încărcare este alimentată la curent și că există curent.
Operare anormală	<ol style="list-style-type: none">1. Opriți și reporniți din nou.
Operează cu zgomot anormal.	<ol style="list-style-type: none">1. Este posibil să fi pătruns corpuri străine la peria principală, periile laterale sau la roți. Vă rugăm opriți aspiratorul și curățați-l.
Performanță scăzută de curățare/ pierderi de praf	<ol style="list-style-type: none">1. Recipientul pentru praf este plin. Vă rugăm curățați recipientul pentru praf.2. Filtrul este înfundat. Vă rugăm curățați sau schimbați filtrul.3. Posibil să fi pătruns corpuri străine la peria principală. Vă rugăm curățați peria principală.

7 Depanarea

Nu se poate conecta la rețeaua Wi-Fi.	<ol style="list-style-type: none">1. Semnalul Wi-Fi este slab. Asigurați-vă că semnalul Wi-Fi este puternic în locația unde este aspiratorul.2. Este o condiție anormală în conexiunea Wi-Fi. Vă rugăm resetați Wi-Fi, descărcați cea mai recentă aplicație mobilă și încercați din nou.3. Parola nu a fost introdusă corect.4. Routerul utilizat este un model ce funcționează în banda de frecvență 5GHz (acest robot aspirator suportă numai banda de frecvență 2,4GHz).
Caracteristica de curățare programată nu funcționează	Nivelul de încărcare este scăzut. Curățarea programată poate fi începută numai când nivelul de încărcare este $\geq 20\%$.
Aspiratorul consumă energie în timp ce este în stația de încărcare	Aspiratorul consumă o cantitate foarte mică de energie când este în stația de încărcare sau; această caracteristică permite păstrarea performanței bateriei la cel mai bun nivel.
În primele trei operațiuni de încărcare, aspiratorul necesită a fi încărcat 16 ore.	Bateria cu litiu nu are efect de memorie atunci când este utilizată și nu este necesar timp pentru așteptare atunci când este complet încărcată.

Listă de eșecuri

Când aspiratorul are o defecțiune, indicatorul roșu al aspiratorului clipește și se va auzi un avertizor sonor relevant. Urmăriți indicațiile sonore pentru rezolvarea defecțiunii.

Avertizare sonoră	Soluție
Eroare 1: Manifestare anormală a bateriei. Vă rugăm consultați manualul sau aplicația.	<ul style="list-style-type: none">• Vă rugăm deschideți compartimentul bateriei, verificați dacă conexiunea bateriei este OK și reporniți aspiratorul.• Temperatura bateriei este prea ridicată sau prea scăzută. Așteptați până când temperatura bateriei atinge valori normale ($0^{\circ}\text{C}\sim 40^{\circ}\text{C}$ / $32^{\circ}\text{F}\sim 104^{\circ}\text{F}$).
Eroare 2: Modulul roții funcționează anormal. Vă rugăm consultați manualul sau aplicația.	<ul style="list-style-type: none">• Vă rugăm verificați pentru eventuale corpuri străine prinse la roți și reporniți aspiratorul.
Eroare 3: Modulul periilor laterale funcționează anormal. Vă rugăm consultați manualul sau aplicația.	<ul style="list-style-type: none">• Vă rugăm verificați pentru eventuale corpuri străine prinse la periile laterale și reporniți aspiratorul.

7 Depanarea

Eroare 4: Ventilatorul funcționează anormal. Vă rugăm consultați manualul sau aplicația.	<ul style="list-style-type: none">• Vă rugăm verificați pentru eventuale corpuri străine prinse în orificiul ventilatorului și reporniți aspiratorul.• Vă rugăm verificați recipientul pentru praf și filtrul, și reporniți aspiratorul.
Eroare 5: Peria rotativă funcționează anormal. Vă rugăm consultați manualul sau aplicația.	<ul style="list-style-type: none">• Vă rugăm înlăturați peria rotativă, curățați peria rotativă, piesa de conectare a periei, capacul periei rotative și duza de praf. După curățare, reporniți aspiratorul.
Eroare 6: Pompa de apă funcționează anormal. Vă rugăm consultați manualul sau aplicația.	<ul style="list-style-type: none">• Vă rugăm curățați rezervorul de apă, conexiunile pompei din rezervor și aparatul, evacuarea de apă de sub aspirator și verificați modulul pentru operare cu mop. După curățare vă rugăm încercați să reporniți aspiratorul.
Eroare 7: Senzorul cu laser funcționează anormal. Vă rugăm consultați manualul sau aplicația.	<ul style="list-style-type: none">• Vă rugăm verificați pentru eventuale corpuri străine în interiorul senzorului cu laser și reporniți aspiratorul.
Eroare 9: Operațiunea de încărcare funcționează anormal. Vă rugăm curățați zona contactelor pentru încărcare.	<ul style="list-style-type: none">• Vă rugăm verificați pentru eventuale contaminări în zona de încărcare și curățați bornele de încărcare.• Vă rugăm verificați dacă bateria este conectată corespunzător.
Eroare 10: Aspiratorul funcționează anormal. Vă rugăm opriți-l și reporniți-l din nou.	<ul style="list-style-type: none">• Vă rugăm aduceți butonul principal în poziția 0 și înapoi în poziția I și reporniți aspiratorul.
Eroare 12: Performanța este anormală. Vă rugăm asigurați-vă că butonul principal este pornit.	<ul style="list-style-type: none">• Vă rugăm aduceți inițial butonul principal în poziția pornit.



CERTIFICAT DE GARANȚIE

Tensiune de alimentare/frecvență: 220-240V~, 50-60Hz

Importator: ARCTIC S.A., Găești, Dâmbovița, str. 13 Decembrie nr. 210, email: office@arctic.ro

TIP: Aspirator Fier /Stație de călcat Radiator electric
 Aerotermă Ventilator Sterilizator UV
 Convector electric

Model / Serie:.....

VÂNZĂTOR

Nr. factură:.....Data:

Vânzător (firma, localitatea):

CUMPĂRĂTOR

NumeLocalitatea

Str.Nr.BlocSc.Et.Ap.

Județ TelefonE-mail

S-a efectuat proba de funcționare a aparatului, s-a prezentat modul de folosire, s-au predat instrucțiunile de utilizare și toate accesoriile. Am primit aparatul în perfectă stare de funcționare.

Stimați clienți,

La cumpărare vă recomandăm să solicitați efectuarea probei de funcționare și să verificați existența instrucțiunilor de utilizare și a accesoriilor.

Pentru a putea beneficia de toate avantajele produselor și serviciilor noastre vă rugăm:

- să citiți cu atenție și să respectați recomandările prezentate în "Instrucțiunile de utilizare".
- să păstrați cu grijă acest certificat pentru a-l putea prezenta (împreună cu documentul fiscal de achiziție), personalului SERVICE ARCTIC, la orice sesizare efectuată în perioada de garanție.

Vă mulțumim că ați optat pentru cumpărarea unui produs Beko!

Garanția legală de conformitate

Durata medie de utilizare a produsului este de 5 ani!

Perioada de garanție legală de conformitate este de 2 ani de la livrarea produsului*,

*prin „produs” se înțelege „bun” conform OUG nr. 140/2021¹

Perioada de garanție legală de conformitate pentru conținutul digital sau serviciul digital în cazul bunurilor cu elemente digitale pentru care contractul de vânzare-cumpărare prevede furnizarea continuă de conținut digital sau a serviciului digital pe durată determinată este de:

- 2 ani de la livrare, respectiv de la livrarea bunului - pentru produse cu durata medie de utilizare de 5 ani (art. 9 (3) din OUG nr. 140/2021);
- 5 ani de la livrare, respectiv de la livrarea bunului - pentru produse cu durata medie de utilizare mai mare de 5 ani (art. 9 (3) din OUG nr. 140/2021);
- Pe tot parcursul perioadei de furnizare a conținutului / serviciului digital - pentru furnizare continuă a conținutului / serviciului digital pe o perioadă mai mare de 5 ani (art. 9 (4) din OUG nr. 140/2021).

¹Ordonanță de urgență 140/2021 privind anumite aspecte referitoare la contractele de vânzare de bunuri





Remedii incluse în garanția legală de conformitate conform OUG nr. 140/2021

(vă rugăm să aveți în vedere prevederile de mai jos)

ARCTIC garantează toate drepturile legale prevăzute de OUG nr. 140/2021 în beneficiul consumatorilor cu privire la garanția legală de conformitate. Dispozițiile prezentului certificat de garanție legală de conformitate se completează, în mod corespunzător, cu dispozițiile OUG nr. 140/2021.

În caz de neconformitate, consumatorul are dreptul de a beneficia de aducerea în conformitate a bunurilor, de a beneficia de o reducere proporțională a prețului sau de a obține încetarea contractului, în condițiile legii - art. 11 (1).

Consumatorii pot să opteze pentru o anumită măsură corectivă în cazul în care neconformitatea bunurilor este constatată la scurt timp după livrare, fără a depăși 30 de zile calendaristice - art. 11 (7).

Pentru ca bunurile să fie aduse în conformitate, consumatorul poate opta între reparație și înlocuire, cu excepția cazului în care măsura corectivă aleasă ar fi imposibilă sau, în comparație cu cealaltă măsură corectivă disponibilă, ar impune vânzătorului costuri care ar fi disproportionale, luând în considerare toate circumstanțele (ex. valoarea bunurilor în cazul în care nu ar fi existat neconformitatea, gravitatea neconformității sau dacă măsura corectivă alternativă ar putea fi executată fără vreun inconvenient semnificativ pentru consumator) - art. 11 (2).

Instalarea incorectă a bunurilor (art. 7).

Orice neconformitate cauzată de instalarea incorectă a bunurilor este considerată ca reprezentând o neconformitate a bunurilor, în oricare din următoarele situații:

- a) instalarea face parte din contractul de vânzare și a fost realizată de vânzător sau sub răspunderea vânzătorului;
- b) instalarea, destinată să fie realizată de consumator, a fost realizată de acesta și instalarea incorectă s-a datorat unor deficiențe în instrucțiunile de instalare furnizate de vânzător sau, în cazul bunurilor cu elemente digitale, de către vânzătorul sau furnizorul conținutului digital sau al serviciului digital.

Proba neconformității.

Orice neconformitate care este constatată în termen de un an de la data la care bunurile (inclusiv cele cu elemente digitale) au fost livrate este prezumată a fi existat deja în momentul livrării bunurilor până la proba contrarie sau cu excepția cazului în care această prezumție este incompatibilă cu natura bunurilor sau cu natura neconformității - art. 10 (1).

În cazul bunurilor cu elemente digitale pentru care contractul de vânzare prevede furnizarea continuă de conținut digital sau de servicii digitale pentru o anumită perioadă, sarcina probei cu privire la conformitatea conținutului digital sau a serviciului digital pe parcursul perioadelor de garanție legală îi revine vânzătorului în cazul unei neconformități care este constatată pe parcursul acestei perioade - art. 10 (3).

Remediere prin reparație.

În cazul în care neconformitatea este remediată prin reparație, termenele de garanție legală se prelungesc cu timpul de nefuncționare a bunului, din momentul la care a fost adusă la cunoștința vânzătorului lipsa de conformitate până la predarea efectivă a bunului în stare de utilizare normală către consumator - art. 12 (6).

Remediere prin înlocuire.

În cazul în care neconformitatea este remediată prin înlocuire, pentru bunurile care înlocuiesc bunurile neconforme, termenele legale de garanție pentru produsul înlocuit încep să curgă de la data înlocuirii cu noul produs - art. 12 (7).

Reducerea prețului și încetarea contractului.

Consumatorul are dreptul fie să obțină o reducere proporțională a prețului în conformitate cu legea, fie să obțină încetarea contractului de vânzare în condițiile legii, în oricare dintre următoarele cazuri - art. 11(4):

- a) vânzătorul nu a finalizat reparația sau înlocuirea sau, după caz, nu a finalizat reparația sau înlocuirea potrivit prevederilor legii sau vânzătorul a refuzat să aducă în conformitate bunurile potrivit prevederilor legii;
- b) se constată o neconformitate, în pofida eforturilor vânzătorului de a o remedia;
- c) neconformitatea este de o asemenea gravitate încât justifică o reducere de preț sau dreptul la încetarea imediată a contractului de vânzare;
- d) vânzătorul a declarat că nu va aduce bunurile în conformitate într-un termen rezonabil sau fără inconveniente semnificative pentru consumator ori acest lucru reiese clar din circumstanțele cazului.

Consumatorul are dreptul de a suspenda plata unei părți restante din prețul bunurilor sau a unei părți a acesteia până în momentul în care vânzătorul își va fi îndeplinit obligațiile care îi revin în temeiul legii - art. 11(6). Reducerea de preț este proporțională cu diminuarea valorii bunurilor primite de consumator în comparație cu valoarea pe care bunurile ar avea-o dacă ar fi în conformitate - art.13.

Încetarea contractului:

- a) nu poate fi solicitată dacă vânzătorul dovedește că neconformitatea este minoră;
- b) poate fi solicitată pentru totalitatea bunurilor achiziționate și livrate, deși motivul de încetare vizează doar anumite bunuri, în cazul în care consumatorului nu i se poate pretinde în mod rezonabil să accepte să păstreze numai bunurile conforme;
- c) determină obligația consumatorului de a returna vânzătorului bunurile, pe cheltuiala vânzătorului;
- d) determină obligația vânzătorului de a rambursa consumatorului prețul plătit pentru bunuri la primirea bunurilor sau a unei dovezi prezentate de consumator că bunurile au fost returnate; vânzătorul va folosi aceleași modalități de plată ca și cele folosite de consumator pentru tranzacția inițială, cu excepția cazului în care consumatorul a fost de acord cu o altă modalitate de plată și cu condiția de a nu cădea în sarcina consumatorului plata de comisioane în urma rambursării.

Garanția legală pentru viciu ascuns este aplicabilă în condițiile legii, conform OG nr. 21/1992 (revizia 2) privind protecția consumatorului, OUG nr. 140/2021 și Codului Civil. Viciul ascuns reprezintă deficiența calitativă a unui produs livrat sau a unui serviciu prestat care nu a fost cunoscută și nici nu putea fi cunoscută de către consumator prin mijloacele obișnuite de verificare.



Service-ul acestui produs este asigurat de ARCTIC S.A. cu sediul în Găești, Dâmbovița,
str. 13 Decembrie nr. 210. • *9010 • www.arctic.ro • www.beko.ro • e-mail: service@arctic.ro
Program Call Center: Luni - Vineri 08:30 - 20:00; Sâmbătă 08:30 - 17:00

UNITĂȚILE SERVICE ALE ARCTIC S.A. EXECUTĂ REPARAȚII ÎN TERMENUL DE GARANȚIE ȘI ÎN AFARA ACESTUIA

Nr. crt.	Data Reclamației	Data primirii în reparație	Reparat		Reparația curentă și/sau componenta înlocuită	Prelungirea termenului de garanție	Efectuarea verificării	
			Programat	Data ridicării aparatului			Cauza întârzierii	SERVICE

CONDITII SUPPLEMENTARE DE GARANȚIE LEGALĂ DE CONFORMITATE:

Pentru orice defecțiune aparută în perioada de garanție legală, apelează la vânzător (respectiv, prin magazinul de unde a fost achiziționat produsul sau direct, prin Call Center Arctic). Prelungirea termenului de garanție se va înscrie în certificatul de garanție de către unitatea SERVICE care a efectuat reparația. Garanția acoperă repararea și/sau înlocuirea pieselor constatate ca neconforme în sensul OUG nr. 140/2021. (necauzate de consumator) de către tehnicienii Service Arctic.

Termenul de realizare a operațiilor de reparație, înlocuire sau întreținere este de 15 zile calendaristice de la data la care cumpărătorul a sesizat lipsa de conformitate către vânzător (respectiv, prin magazinul de unde a achiziționat produsul sau direct prin Call Center Arctic).

Reparațiile / înlocuirile se efectuează cu respectarea următoarelor condiții - art. 12(1)-(5) din OUG nr. 140/2021:

- fără costuri și fără vreun inconvenient semnificativ pentru consumator, ținând seama de natura bunurilor și de scopul pentru care consumatorul a solicitat bunurile în cauză;
- obligăția de a repara sau înlocui bunurile include, după caz, demontarea bunurilor neconforme și instalarea bunurilor de înlocuire sau a bunurilor reparate sau suportarea costurilor aferente demontării și instalării;
- consumatorul nu este obligat să plătească pentru utilizarea normală a bunurilor înlocuite în perioada care a precedat înlocuirea acestora.

Reclamațiile referitoare la aspectele prevăzute mai jos, se rezolvă numai contra cost:

- piesele și accesoriile care prezintă lovituri, zgărieturi, sparturi sau deformări din vina exclusivă a consumatorului.

PRODUSUL NU BENEFICIAZĂ DE GARANȚIE LEGALĂ DE CONFORMITATE ÎN URMĂTOARELE CAZURI:

- Nu au fost respectate instrucțiunile de transport, manipulare, instalare, întreținere și întreținere, prescrite.
- Subansamblurile și accesoriile casabile care se deteriorează în timpul transportului vor fi înlocuite de vânzător (în cazul în care transportul e asigurat de vânzător sau sub responsabilitatea acestuia).
- Garanția nu se acordă subsansamblelor și accesoriilor casabile ale produselor care suferă deteriorări din vina exclusivă a consumatorului.
- Tensiunea de alimentare are valori care nu se încadrează în limitele prevăzute de standarde (SR EN 50160).
- Instalația electrică a utilizatorului prezintă improvizații sau neconformități.
- Produsul a fost folosit în alte scopuri decât cel pentru care a fost proiectat.
- Produsul a suportat intervenții (reparații, modificări) din partea unor persoane neautorizate de producător.

Drepturile consumatorului sunt cele prevăzute în OUG nr. 140/2021 și OG 21/1992 (repUBLICATĂ).

În cadrul acestui proces, Arctic vă prelucrează date cu caracter personal, cu respectarea legilor aplicabile privind confidențialitatea și protecția datelor. Pentru informații complete despre modul în care vă prelucreăm datele, precum și despre drepturile dumneavoastră, vă rugăm să consultați secțiunea "Protecția datelor personale", accesând site-ul nostru la adresa <https://www.beko.ro/>.

Najpre pročitate ovaj priručnik!

Poštovani kupci,

Zahvaljujemo vam što ste odabrali proizvod kompanije Beko. Želimo da postignete optimalnu efikasnost ovog visokokvalitetnog proizvoda koji je proizveden uz primenu vrhunske tehnologije. Obavezno je pročitati i potpuno razumeti ovaj vodič i dodatnu dokumentaciju pre upotrebe, i isti čuvati za naknadne upute. Ne odvajajte ovaj vodič od jedinice ako želite da je predate nekom drugom licu. Pridržavajte se svih upozorenja i informacija datim ovde i sledite uputstva.

Simboli i njihova značenja

Dole navedeni simboli su upotrebljeni u ovom vodiču:



Važne informacije i povoljne preporuke u vezi s korišćenjem uređaja.



UPOZORENJE: Upozorenja na opasne situacije koje se odnose na bezbednost života i imovine.



Klasa zaštite od strujnog udara.



RECIKLIRANI PAPIR I
PAPIR ZA RECIKLAŽU

1 Važna uputstva u vezi sa bezbednošću i zaštitom životne sredine

Ovaj odeljak sadrži bezbednosna uputstva za sprečavanje opasnosti koje mogu dovesti do povreda ili materijalne štete.

Svaka garancija će prestati da bude važeća ako se ne poštuju ova uputstva.

1.1 Opšta bezbednost

- Ovaj uređaj je usklađen sa međunarodnim standardima bezbednosti.
- Ovaj uređaj mogu koristiti deca starija od 8 godina, lica sa fizičkim, čulnim ili mentalnim problemima ili lica sa nedostatkom iskustva ili znanja; sve dok su pod nadzorom ili su im pružene informacije u vezi sa bezbednim korišćenjem uređaja odnosno povezanim opasnostima. Deca ne smeju da se igraju sa uređajem. Deca ne smeju da čiste niti da održavaju aparat bez odgovarajućeg nadzora.
- Ne koristite uređaj ako je kabl za napajanje ili sam uređaj oštećen. Obratite se ovlašćenom servisu.
- Vaše mrežno napajanje mora biti usklađeno s navedenim informacijama na oznaci tipa uređaja.
- Nemojte koristiti uređaj s produžnim kablom.
- Da biste sprečili oštećenje kabla za napajanje, vodite računa da isti nije pritisnut, uvrnut ili nategnut preko oštarih ivica.
- Ne dodirujte utikač uređaja vlažnim ili mokrim rukama dok je uređaj priključen na napajanje električnom energijom.
- Kada uređaj isključujete iz struje, ne vucite ga za kabl.
- Ne usisavajte zapaljive materijale i vodite računa da se pepeo cigareta ohladi pre nego što ga usisate.
- Nemojte da usisavate vodu ili druge tečnosti.
- Zaštitite uređaj od padavina, vlage i izvora toplote.
- Ne koristite aparat u eksplozivnom ili zapaljivom okruženju ili u blizini istog.
- Izvucite utikač uređaja iz struje pre čišćenja i održavanja.

1 Važna uputstva u vezi sa bezbednošću i zaštitom životne sredine

- Nemojte uranjati uređaj ili njegov kabl za napajanje u vodu za potrebe čišćenja.
- Nemojte rasklapati ovaj uređaj.
- Koristite samo originalne delove ili delove koje je preporučio proizvođač.
- Da biste sprečili blokadu filtera ili oštećenje motora, nemojte usisavati cement, gips ili fragmente komprimovanog papira.
- Koristite uređaj isključivo sa adapterom isporučenim uz uređaj.
- Nemojte da koristite uređaj bez filtera, jer se tako može oštetiti.
- Ako čuvate ambalažu, čuvajte je van domašaja dece.
- Ovaj uređaj ne smeju da koriste osobe sa ograničenim fizičkim, čulnim ili mentalnim sposobnostima (uključujući decu), niti osobe koje nemaju dovoljno znanja ili iskustva u korišćenju ovog uređaja, osim ako su pod nadzorom osobe koja je odgovorna za njihovu bezbednost i ako su od nje dobile uputstva o pravilnom korišćenju ovog uređaja.
- Decu treba nadzirati kako bi se sprečilo da se igraju sa ovim uređajem.
- Isključite adapter i uklonite bateriju pre bilo kakvog postupka čišćenja ili održavanja.
- Da biste izbegli bilo kakvu opasnost, oštećeni adapter mora da zameni proizvođač, ovlašćeni predstavnik proizvođača ili podjednako kvalifikovan tehničar.
- Držite prste, kosu i široku odeću dalje od pokretnih delova ili praznina tokom usisavanja.
- Baterije treba izvaditi iz uređaja pre nego što uređaj odložite u otpad.
- Isključite aparat iz napajanja pre uklanjanja baterije.
- Bacite istrošene baterije u skladu sa lokalnim zakonima i propisima.
- Dozvoljeno je da baterije isporučene sa ovim uređajem menjaju samo ovlašćeni serviser.

1 Važna uputstva u vezi sa bezbednošću i zaštitom životne sredine

- Nemojte da koristite istovremeno različite vrste baterija, ili stare i nove baterije.
- Baterije moraju biti postavljene pravilnim rasporedom polova.
- Nemojte napraviti kratak spoj stezaljkama za napajanje.
- Treba da se koristi samo sa baterijama LG ME1XXFG CM 3200 mAh.
- Ovaj uređaj ne smeju da koriste deca ili lica sa fizičkim, čulnim ili mentalnim ograničenjima ili lica sa nedostatkom iskustva ili znanja, osim ako su pod nadzorom ili su im pružene informacije u vezi sa opasnostima.
- Decu treba nadzirati kako bi se sprečilo da se igraju sa ovim uređajem.
- Nemojte opterećivati uređaj.
- Nemojte pokretati uređaj na visokim predmetima, npr. stolu ili stolici.
- Ovaj proizvod nije dizajniran za komercijalnu upotrebu, namenjen je za upotrebu u domaćinstvu i primenama kao što je navedeno u nastavku:
 - u kuhinjama zaposlenih prodavnica, kancelarija i drugih radnih okruženja
 - u seoskim kućama;
 - za goste u hotelima, motelima i drugim sličnim vrstama smeštajnih objekata;
 - u hostelima ili sličnim okruženjima.
 - mestima za prenoćište i okruženjima za pružanje usluga doručka
- Nemojte opterećivati uređaj. Vodite računa da se deca i domaće životinje ne penju na uređaj.

1 Važna uputstva u vezi sa bezbednošću i zaštitom životne sredine

1.2 Informacije o usklađenosti sa WEEE propisima i odlaganju otpada



Ovaj proizvod je usaglašen sa WEEE direktivom Evropske unije (2012/19/EU). Ovaj proizvod nosi simbol klasifikacije za električni i elektronski otpad (WEEE).

Ovaj simbol označava da se ovaj proizvod ne sme odlagati zajedno s ostalim kućnim otpadom na kraju njegovog radnog veka. Korišćeni uređaj mora se vratiti na službeno mesto za sakupljanje za recikliranje električnih i elektronskih uređaja. Da biste pronašli ove sisteme za sakupljanje, obratite se lokalnim nadležnim telima ili prodavcu gde je proizvod kupljen. Svako domaćinstvo ima važnu ulogu u vraćanju i recikliranju starih uređaja. Odgovarajuće odlaganje iskorišćenog aparata pomaže u sprečavanju potencijalnih negativnih posledica po životnu sredinu i zdravlje ljudi.

1.3 Informacije o pakovanju



Ambalaža proizvoda je napravljena od materijala koji mogu da se recikliraju, u skladu sa nacionalnim propisima o zaštiti životne sredine.

Ambalažu ne odložite sa kućnim otpadom ili drugim vrstama otpada već je odložite u sabirne centre za ambalažu koje su navele lokalne vlasti.

1.4 Istrošene baterije

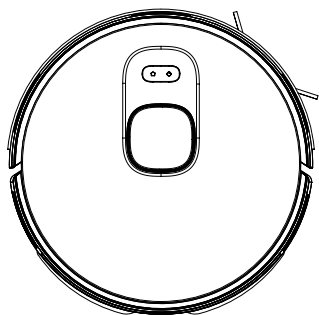


Obavezno odložite istrošene baterije u skladu sa lokalnim zakonima i propisima. Simbol na bateriji i pakovanju označava da bateriju isporučenu sa proizvodom ne treba smatrati kućnim otpadom. Ovaj simbol se može koristiti u kombinaciji sa hemijskim simbolom u nekim regionima. Ako baterije sadrže više od 0,0005% žive i više od 0,004% olova, hemijski simbol Hg se dodaje za živu, a hemijski simbol Pb za olovo ispod predmetnog simbola. Ako obezbedite pravilno odlaganje baterija, doprinećete sprečavanju potencijalne štete po životnu sredinu i zdravlje ljudi usled nepropisnog odlaganja baterija.

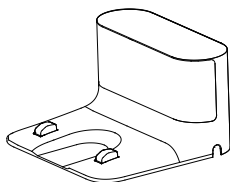
1.5 Kako se štedi energija

- Kada koristite uređaj, podesite podešavanja brzine prema površini da biste uštedeli energiju.
- Obično se pri čišćenju tvrdih površina koriste niže brzine dok se kod čišćenja tepiha koriste velike brzine.

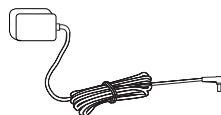
2 Sadržaj pakovanja



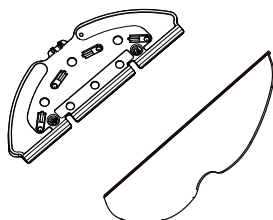
Robot usisivač



Stanica za punjenje



Adapter za punjenje

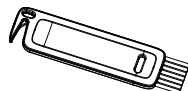


Alat za
brisanje

Krpa za
brisanje



Uputstvo za upotrebu i
dokumentacija proizvoda
(2 kom)

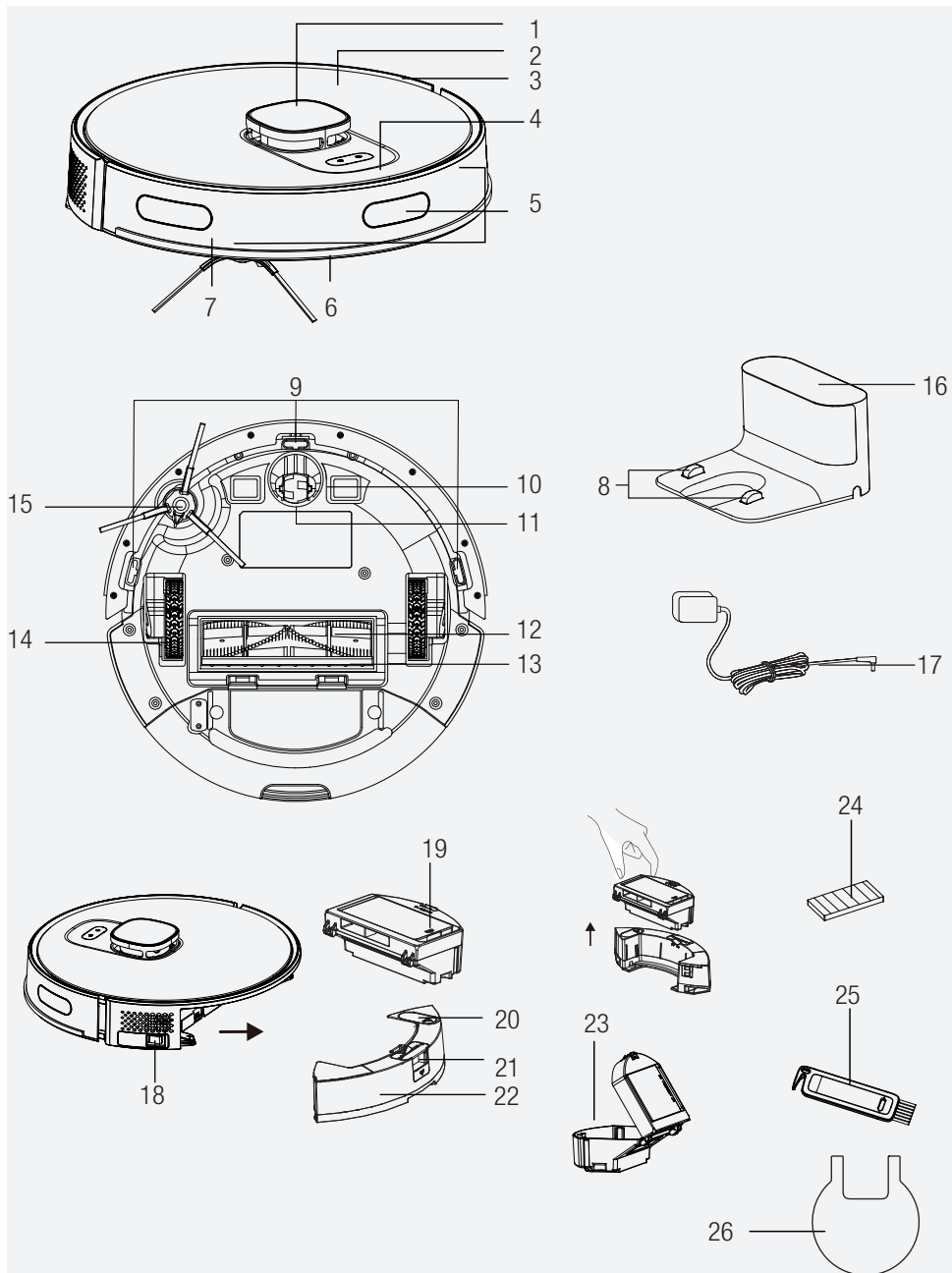


Četkica za čišćenje

Isporučuje se rezervni pribor

	1 bočna četka
	1 krpa za brisanje
	1 filter

3 Pregled



3 Pregled

2.1 Provere i komponente

1. Lidar
2. Gornji deo kućišta
3. Centralno kućište
4. Dugme za početak čišćenja-pauzu / Dugme za slanje na postolje za punjenje
5. Senzor branika
6. Prednji odbojnik
7. Senzor udara u prednji branik
8. Igle za punjenje
9. Senzor za sprečavanje pada
10. Igle za punjenje
11. Prednji rotirajući točak
12. Rotirajuća četka
13. Poklopac rotirajuće četke
14. Zadnji točak
15. Bočna četka
16. Stanica za punjenje
17. Adapter za punjenje
18. Dugme za uključivanje/isključivanje
19. Poklopac za otvaranje EPA filtera za posudu robot usisivača
20. Poklopac za punjenje posude za vodu
21. Dugme za izbacivanje posude za prašinu robota usisivača
22. Posuda za vodu za krpu
23. Posuda za sakupljanje prašine
24. EPA filter
25. Četkica za čišćenje
26. Jastučić za zaštitu poda od vlage

2.2 Tehnički podaci

Napon adaptera	100-240V~, 50-60 Hz
Izlazna snaga adaptera	24.0V / 1.0 A
Baterija	Li-ion: 14.4V / 3.2 Ah
Vreme punjenja	4-5 sati
Vreme rada	Do 150 minuta (u nemoj poziciji)
Kapacitet spremnika za prašinu	0.4 L
Kapacitet posude za vodu	0.3 L
Frekvencijski opseg za Wi-Fi 2.4G	2412-2472 MHz
Podržane veze	WLAN IEEE 802.11 b/g/n bežični
2,4G WiFi maksimalna izlazna snaga radio-frekvencije	20 dBm
Informacije o izloženosti radio-frekvencijama	2.4G Najviše Wi-Fi od:
Vreme rada	Maksimalna snaga: 70 min Snažno: 80 min Standardno: 120 min Tiho: 150 min

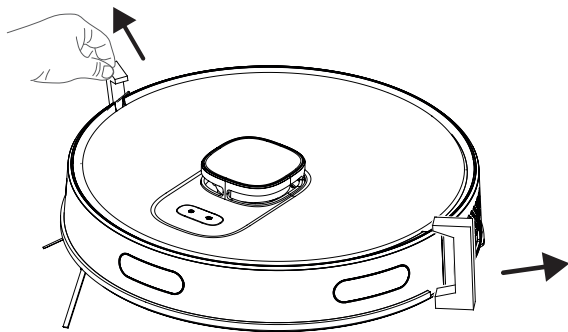
Informacije o izloženosti radio-frekvencijama:

Maksimalni dopušteni nivo izlaganja se izračunava na osnovu 20 cm rastojanja između uređaja i ljudskog tela. Za poštovanje uslova izlaganja radiofrekvencijama između uređaja i ljudi treba biti rastojanje od 20 cm.

Proizvođač	E-TEK Electronics Manufactory Co., LTD
Identifikacioni broj modela:	ZD024D240100EU
Ulazni napon:	100-240V~
Ulazna frekvencija	50-60Hz
Ulazna struja	0.8A
Izlazni napon	24.0V DC
Izlazna struja	1.0A
Izlazna snaga:	24.0W
Prosečna aktivna efikasnost	87.91%
Efikasnost pri malom opterećenju (10%)	84.01%
Potrošnja energije bez opterećenja:	0.1W

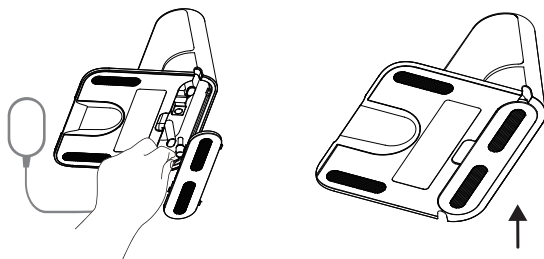
4 Instalacija

1- Skinite zaštitne sundere.



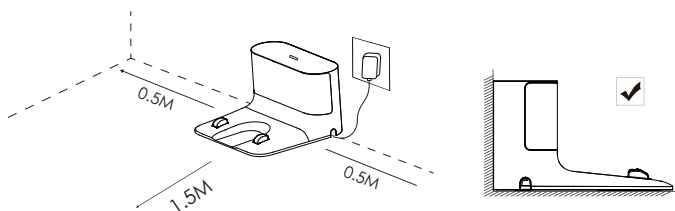
2- Postavite stanicu za punjenje.

Postavite utikač adaptera na stanicu za punjenje i postavite kablove tako da sprečite da se kabl adaptera omota oko uređaja tokom usisavanja.



Instalirajte stanicu za punjenje na mesto gde mu usisivač može lako pristupiti. Postavite stanicu za punjenje na tvrdu i ravnu podlogu, a ne na tepih.

Da bi se obezbedio nesmetan rad robota, savetuje se da nema prepreka u krugu od 1,5 m sa prednje i unutar 0,5 m sa leve i desne strane.



4 Instalacija

Postavite stanicu i punjenje na tvrdu i ravnu podlogu tako da je zadnjim delom okrenuta prema zidu, a zatim je uključite.



Stanicu punjenje uvek držite uključenu; inače se usisivač neće moći vratiti automatski.



Da bi postupak punjenja bio nesmetan, nemojte često pomerati stanicu za prikupljanje prašine. Kada se promeni lokacija usisivača, on može izbrisati dostupnu mapu i napraviti novu mapu zbog greške u pozicioniranju.

5 Rad



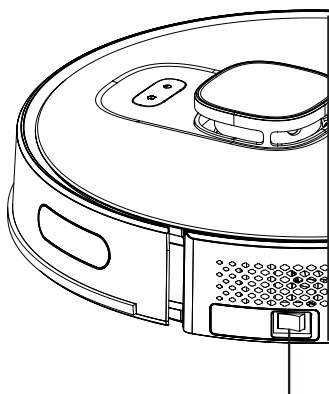
Napunite mašinu prije prve upotrebe.

5.1 Predviđena upotreba

Uređaj je namenjen samo za kućnu upotrebu i nije pogodan za industrijsku upotrebu.

5.2 Punjenje uređaja

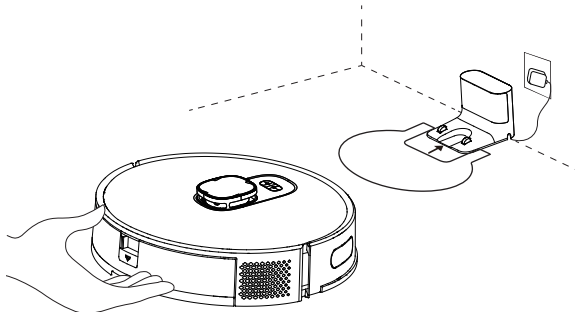
1. Postavite dugme za uključivanje-isključivanje sa strane u položaj za uključivanje za početno napajanje.



Dugme za uključivanje / isključivanje

5 Rad

2. Postavite uređaj na stanicu tako da bude u ravni sa priključkom za punjenje.



Punjenje počinje nakon što plavi indikator priključne stanice za punjenje treperi 3 puta, a zatim se potpuno isključuje.

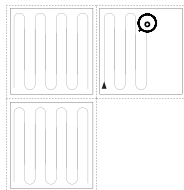
5.3 Rad

Za prvu operaciju, pomerite dugme za Uključivanje/Isključivanje sa strane iz položaja 0 u I. Da biste uključili usisivač, pritisnite

dugme 3 sekunde.

- Ne isključujte uređaj koristeći dugme Uključivanje/Isključivanje direktno tokom čišćenja; inače podaci usisivača ne mogu da se sačuvaju.
- Ako je dugme Uključivanje/Isključivanje u položaju Isključeno, usisivač će se automatski uključiti kada se stavi na stanicu za punjenje i automatski će se isključiti kada se ukloni sa priključne stanice za punjenje.
- Ako se usisivač neće koristiti duže vreme, pomerite dugme za uključivanje/isključivanje u položaj za isključeno.

Početak čišćenja



Pritisnite dugme za pokretanje automatskog režima čišćenja. Kada se pokrene, usisivač se uklanja sa priključne stanice za punjenje, vrši automatsko skeniranje da bi napravio mapu, određuje rutu čišćenja na pametan način i deli područje na nekoliko regiona. Ruta čišćenja je planirana duž zida i usisivač se kreće napred-nazad da čisti različite regione po redu.



UPOZORENJE: Ako je nivo napunjenosti prenizak, čišćenje se ne može započeti. Napunite uređaj pre početka čišćenja.

5 Rad



UPOZORENJE: Pre čišćenja, sklonite sve kablove kako biste sprečili isključivanje usled zaplitanja/povlačenja kablova i kako biste sprečili oštećenje nameštaja.



UPOZORENJE: U automatskom režimu čišćenja, ako je površina koju treba očistiti manja od 10 kvadratnih metara, čišćenje se vrši dvostruko više od podrazumevane vrednosti.




UPOZORENJE: Nemojte pomerati priključnu stanicu za punjenje tokom čišćenja i vodite računa da je priključna stanica ili stanica uključena; u suprotnom usisivač možda neće moći da se vrati na punjenje.

Pauziranje

Pritisnite bilo koje dugme da pauzirate rad dok usisivač radi.

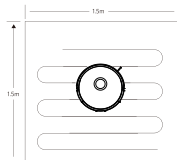
Automatsko punjenje: Usisivač se automatski vraća na punjenje nakon završetka čišćenja.

Ručno punjenje: Robot usisivač se automatski vraća na stanicu za punjenje kada pritisnete dugme “” na gornjem delu kućišta kada je u položaju pauze.

A. Ako je rad pauziran, pritisnite dugme za automatsko punjenje.


B. Ako se usisivač negde zaglavio i ne može da pronađe priključnu stanicu za punjenje, sami preместite usisivač do stanice kako biste omogućili punjenje.

Čišćenje precizno određene tačke



Donesite usisivač na područje koje treba očistiti i dvaput pritisnite dugme na njemu. Kada je režim aktiviran, usisivač će očistiti kvadratnu površinu od 1,5 x 1,5 m pri čemu će mjesto njegovog postavljanja biti centar.

* Usisivač ne može da pokrene operaciju čišćenja precizno određene tačke sa priključne stanice za punjenje.

Ne može da pokrene operaciju čišćenja određene tačke sa priključne stanice za punjenje ili stanice. Kada je čišćenje određene tačke završeno, on se ne vraća na stanicu za punjenje i ostaje na svom položaju. Donesite ga do postolja za punjenje ili ga preместite na postolje za punjenje pritiskom na dugme “” na gornjem delu kućišta

Izbor snage usisavanja

(Podržano samo sa odgovarajućom mobilnom aplikacijom) Možete odabrati željenu snagu čišćenja iz aplikacije:

- Tih
- Standardno
- Snažno
- Maksimalno

Čišćenje na daljinsko upravljanje

(Podržano samo sa odgovarajućom mobilnom aplikacijom) *Možete da usmerite usisivač na područje koje treba očistiti korišćenjem režima ručnog daljinskog upravljanja kroz aplikaciju.

Režim mirovanja

Usisivač automatski prelazi u režim mirovanja ako je neaktivan 10 minuta. Usisivač se automatski prebacuje u režim mirovanja 10 minuta nakon što se potpuno napuni. Režim mirovanja deaktivira trenutni zadatak.

Resetovanje sistema

Za brisanje APP naloga, korisnik može pritisnuti dugme „ukloni proizvod i obrisati nalog“ na APP-u da izbrise sve podatke u APP-u i oblaku kao što su mape, čiste istorije, zajednička mašina, lozinka WIFI naloga... itd.



Pritisnite dugme za režim pripravnosti 15 sekundi da biste resetovali sistem. Kada se sistem resetuje, mapa i originalna podešavanja (uključujući virtuelna ograničenja) na usisivaču se brišu.

5.3.1 Rad sa aplikacijom

Preuzmite aplikaciju

Da biste preuzeli aplikaciju, potražite aplikaciju „HomeDirect-SDA“ u prodavnici mobilnih aplikacija. Detaljnije se informišite u uputstvu za mobilnu aplikaciju.

Resetovanje Wi-Fi-ja

Držite dugmad “” “” pritisnutim istovremeno dok se ne čuje zvučno upozorenje; tada indikator polako treperi belom bojom i usisivač prelazi u režim uparivanja.

Dodavanje uređaja

Otvorite aplikaciju, kreirajte novi nalog i pratite uputstva u aplikaciji. * Pre podešavanja Wi-Fi-ja, vodite računa da usisivač i Wi-Fi mreža ispunjavaju sledeće zahteve.

USISIVAČ:

* Nivo napunjenosti usisivača treba da bude preko 20% ili će usisivač biti postavljen na priključnu stanicu za punjenje.

B. Wi-Fi mreža:

- Obezbedite ispravnu lozinku za bežičnu mrežu.
- Nemojte koristiti nikakav VPN (virtuelna privatna mreža).
- Ruter za Wi-Fi treba da podržava 802.11b/g/n i IPv4 protokole.

5 Rad

- Ruter treba da bude u frekvencijskom opsegu od 2,4 GHz ili treba koristiti dvopojasni ruter koji podržava opseg od 2,4 GHz. Usisivač ne podržava frekvencijski opseg od 5 GHz.
- Ako usisivač ne može da se poveže na dvopojasnu Wi-Fi mrežu od 2,4/5GHz, izaberite mrežu od 2,4GHz za podešavanja Wi-Fi-ja. Možete se vratiti na drugi frekvencijski opseg kada se podešavanje završi.
- Ako se povezujete na skrivenu mrežu, vodite računa da ispravno unesete naziv mreže [SSID (osetljiv na velika slova)] i da ste povezani na bežičnu mrežu od 2,4 GHz.
- Ako koristite proširenje bežične mreže, uverite se da su naziv mreže (SSID) i lozinka isti kao i glavna mreža.
- Da biste usisivač povezali sa serverom aplikacija, podesite zaštitni zid i port Wi-Fi rutera prema potrebi.

Greška u Wi-Fi vezi

Status Wi-Fi-ja	Osnovni uzrok	Rešenje
Bela svetlost neprekidno svetli.	Usisivač je povezan na ruter (modem), ali ne može da se poveže na mrežu.	<ul style="list-style-type: none">• Proverite je li modem povezan s internetom.• Obratite se svom mrežnom operateru da vidite da li postoji problem sa prenosnom internet podataka
Bela svetlost ubrzano treperi	Usisivač ne može da se poveže sa modemom	<ul style="list-style-type: none">• Proverite da naziv mreže i lozinka nisu promenjeni.• Resetujte Wi-Fi vezu, ako je potrebno. Pogledajte odeljak „Resetovanje Wi-Fi-ja” u odeljku „Preuzimanje aplikacije i resetovanje Wi-Fi-ja” ovog uputstva.
Bela svetlost sporo treperi.	Wi-Fi je resetovan ili još nije podešen.	<ul style="list-style-type: none">• Obezbedite povezanost usisivača na Wi-Fi mrežu. Pogledajte detaljna uputstva u Priručniku za mobilne aplikacije. Resetujte Wi-Fi vezu, ako je potrebno. Pogledajte odeljak „Resetovanje Wi-Fi mreže” u ovom priručniku

Zahtevi za bezbednost mreže:

* Koristite mreže WPA i WPA2 šifrovane sa TKIP, PSK i AES/CCMP.

5.3.2 Režimi rada

Upravljanje mapama

A. Mapiranje prostorija u realnom vremenu

Kreiranje mape sobe u realnom vremenu može vam pomoći da lako razumete rutu čišćenja i okruženje za čišćenje. Nakon čišćenja kreira se mapa sobe. Mapa se ažurira u realnom vremenu tokom svake operacije usisavanja kako bi se obezbedila normalna navigacija. Da biste izradili kompletnu mapu kuće;

- Otvorite vrata prostorija kako biste bili sigurni da usisivač kreira mapu svake prostorije;
- Uklonite sve predmete koji mogu uzrokovati opstrukciju ili blokadu usisivača;
- Ne menjajte lokaciju priključne stanice za punjenje niti je isključujte nakon kreiranja mape.

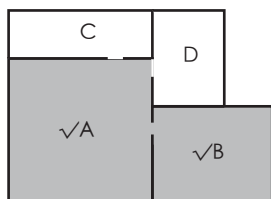
B. Repozicioniranje i ponovno mapiranje

Ako se usisivač premesti ili se izvrše značajne promene u okruženju, usisivač pokušava da se repositionira da bi se prilagodio novom okruženju i može ponovo da kreira relevantnu mapu. Podaci su sledeći:

- Ako je ponovno pozicioniranje uspešno, usisivač nastavlja sa čišćenjem;
 - Ako je ponovno pozicioniranje neuspešno, usisivač ponovo kreira mapu kako bi obezbedio normalnu navigaciju za operaciju čišćenja;
- Vodite računa da usisivač uvek započinje operaciju čišćenja sa priključne stanice za punjenje.
 - Nemojte često pomerati usisivač tokom čišćenja. Ako se pomeri, vratite ga u prvobitni položaj.

Režim čišćenja sobe (podržan samo relevantnom mobilnom aplikacijom)

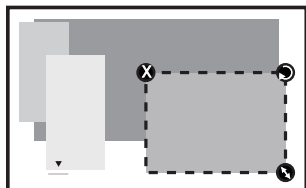
Možete da odredite prostorije koje želite da očistite pomoću mobilne aplikacije, a zatim usisivač čisti samo prostorije koje su označene na regionalnoj mapi u aplikaciji.



- Usisivač može da uđe i u druge oblasti osim u izabranu oblast nakon što počne sa čišćenjem; stoga vas molimo da uklonite prepreke na podu oko izabranog područja. Izbor područja ne obezbeđuje bezbednu izolaciju.
- Čišćenje izvesnog područja može započeti tek nakon što usisivač uspešno kreira mapu.

5 Rad

Režim čišćenja izvesnog područja (podržan samo relevantnom mobilnom aplikacijom)



Dimenzije regiona se mogu odrediti držanjem iz desnog donjeg ugla. U međuvremenu, isprekidanom linijom na ekranu se ispisuju dimenzije prikazane oblasti.

Izaberite režim čišćenja izvesnog područja u aplikaciji, a zatim odredite oblast čišćenja. Usisivač čisti samo izabranu oblast, a zatim se vraća na priključnu stanicu za punjenje.

* Čišćenje izvesnog područja može započeti tek nakon što usisivač uspešno kreira mapu.



Pogledajte u uputstvu za upotrebu u mobilnoj aplikaciji detaljne savete za korišćenje.

5.4 Rad sa nastavkom za pod



UPOZORENJE: Ne koristite režim brisanja na tepisima.



UPOZORENJE: Ne stavljajte izbeljivač ili deterdžent u posudu za vodu.



UPOZORENJE: Uklonite jedinicu za brisanje dok se usisivač puni ili kada se ne koristi.



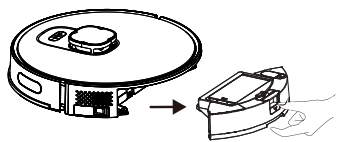
UPOZORENJE: Uklonite jedinicu za brisanje odmah nakon završetka rada da biste sprečili oštećenje drvenih podova.



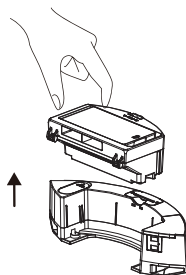
UPOZORENJE: Usisivač automatski obustavlja dovod vode kada se brisanje zaustavi ili završi. Međutim, krpa ostaje mokra i stoga se ne sme dugo držati u ovom stanju i potrebno je ukloniti bez odlaganja.

5 Rad

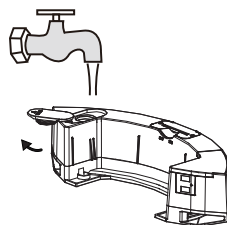
5.4.1 Instalacija jedinice za brisanje mokrom krpom



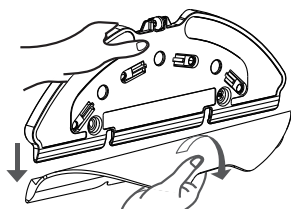
Uklonite posudu za prašinu i sklop posude za vodu (2 u 1).



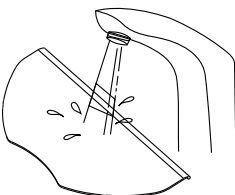
Uklonite posudu za prašinu.



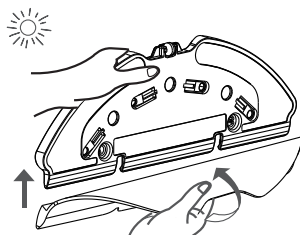
Uklonite gumeni čep i dodajte vodu u posudu za vodu iz ulaza za vodu.



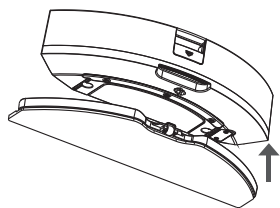
Uklonite tampon sa držača krpe kao što je prikazano.



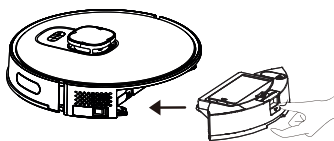
Navlažite tampon pre svakog brisanja



Stavite tampon na držač krpe.



Postavite posudu za prašinu i sklop posude za vodu (2 u 1) u smeru strelice.



Postavite posudu za prašinu i sklop posude za vodu (2 u 1) na uređaj, u smeru strelice.

5.4.2 Podešavanje brisanja mokrom krpom

Možete započeti operaciju čišćenja odabirom režima čišćenja i podešavanjem nivoa vode za brisanje po želji u aplikaciji.

- Preporučljivo je da dodate virtuelni zid (zabranjeno brisanje) području tepiha na aplikaciji kako biste usisivač zadržali od tepiha i sprečili vlaženje tepiha robotom usisivačem tokom operacije brisanja.

6 Čišćenje i održavanje

Isključite aparat i rasključite s mrežnog napajanja pre nego ga počnete čistiti.



UPOZORENJE: Nikada nemojte koristiti benzin, rastvarač, abrazivna sredstva za čišćenje, metalne predmete ili grube četke za čišćenje ovog uređaja.

6.1 Čišćenje posude za prašinu i filtera



Možete nazvati naš centar za korisnike da biste poručili novi filter kada vaše filter dostigne kraj očekivanog roka trajanja, ako se deformiše ili treba da se zameni i bilo kojeg razloga.

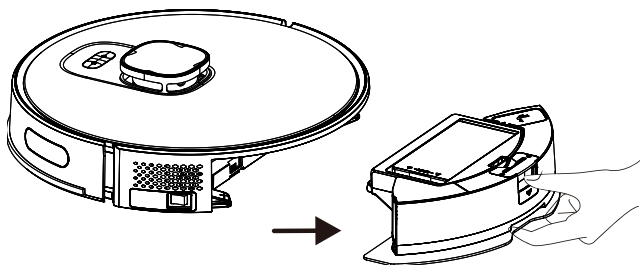


Da bi se postigle maksimalne performanse u radu sa HEPA filterom, očistite ga četkom nakon svakog čišćenja.

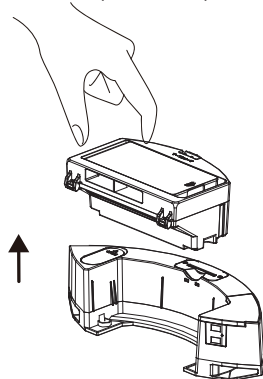
HEPA filter je pribor koji može da se zameni.

Ako ste obavili čišćenje u prostoru gde ima građevinske prašine i prašine sa veoma sitnim česticama, zamenite filter novim kako ne biste iskusili gubitak performansi.

1. Uklonite posudu za prašinu i sklop posude za vodu (2 u 1) pritiskom na dugme kao što je prikazano u nastavku.



2. Uklonite posudu za prašinu tako što ćete je povući u pravcu strelice.

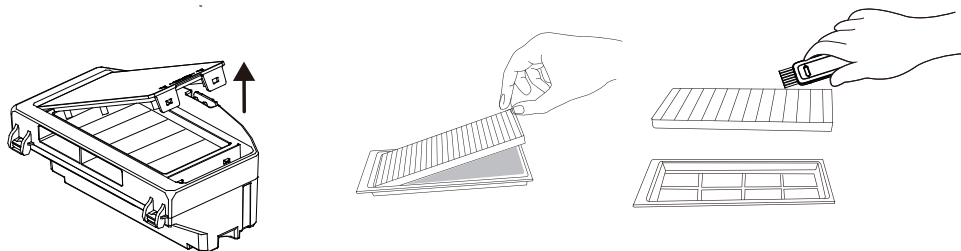


6 Čišćenje i održavanje

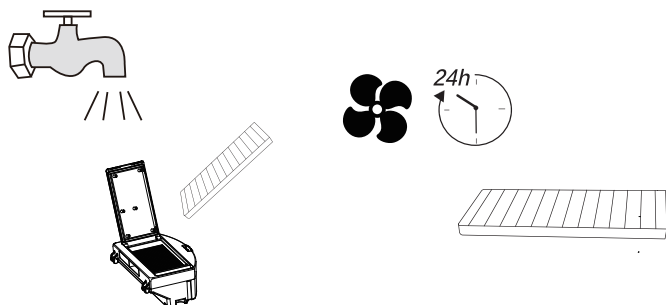
3. Otvorite posudu za prašinu kao što je prikazano ispod. Približite posudu za prašinu kanti za otpad i uklonite grubu prašinu laganim tapkanje po posudi.



4. Uklonite filter visokih performansi i očistite filter pomoću četke za čišćenje koju ste dobili zajedno sa uređajem.



5. Povremeno perite posudu za vodu, posudu za prašinu i sklop filtera **hladnom vodom** u zavisnosti od učestalosti rada.



6. Ostavite posudu za vodu, posudu za prašinu i sklop filtera da se osuše nakon pranja i vodite računa da se potpuno osuše.



Sušenje može trajati 24 do 48 sati.

6 Čišćenje i održavanje

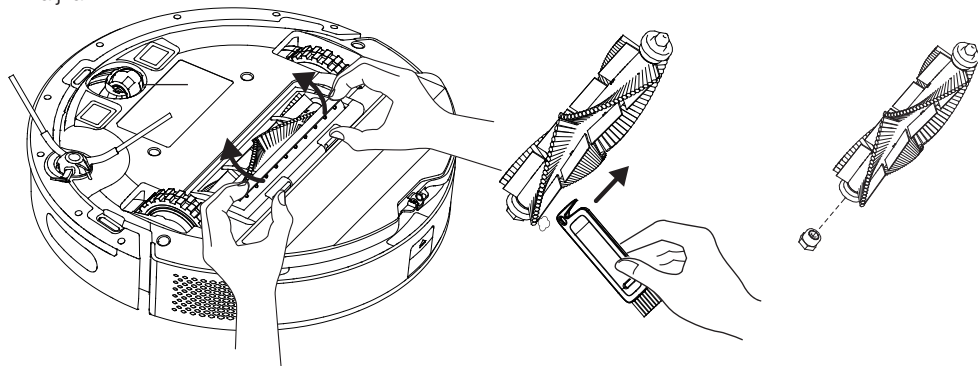
7. Sastavite posudu za vodu, posudu za prašinu i sklop filtera nakon sušenja na vazduhu, a zatim montirajte sklop na usisivač.



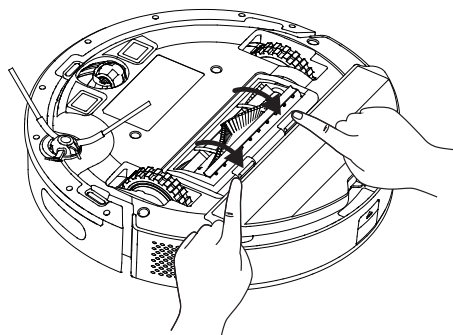
UPOZORENJE: Nemojte koristiti usisivač bez instaliranja grupe filtera. U suprotnom, uređaj se može oštetiti.

6.2 Čišćenje četke

1. Otvorite gornji poklopac glavne četke pritiskom na jezičke. Povucite i uklonite glavni valjak nagore. Uklonite dlaku zamršenu na četki za čišćenje tako što ćete ih preseći i uklonite prašinu sa čekinja i valjka.

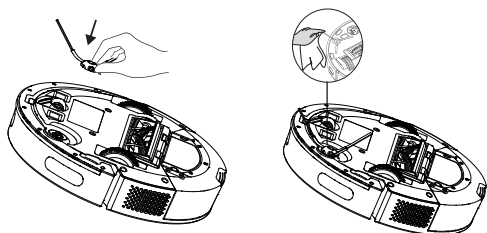


2. Zamenite četku nakon čišćenja i zatvorite poklopac u pravcu strelice.



6 Čišćenje i održavanje

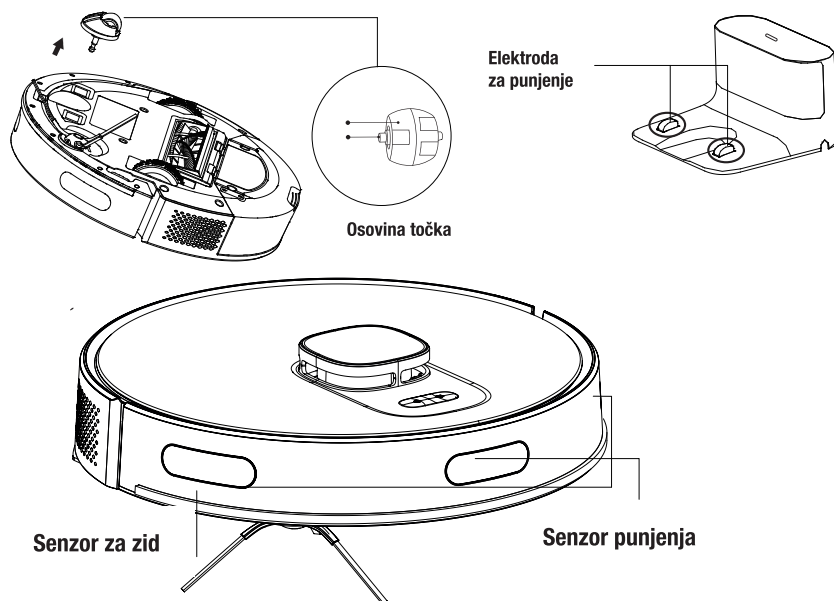
6.3 Čišćenje i ugradnja bočne četke



Pri dugotrajnoj upotrebi, operite bočnu četku toplom vodom kako biste eliminisali deformaciju oblika. Nakon što se osuši, postavite je na robota kao što je prikazano.

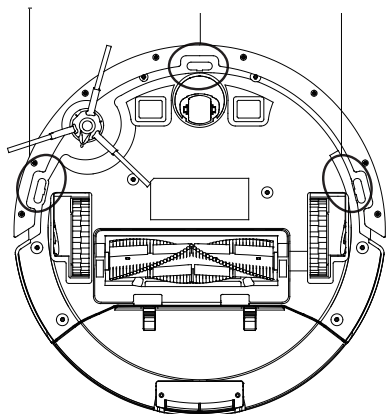
6.4 Čišćenje senzora

Redovno čistite senzore i uklanjajte prašinu suvom i mekom krpom ili četkom za čišćenje. Informacije: Preko aplikacije dobijate obaveštenje kada je potrebno čišćenje senzora.



6 Čišćenje i održavanje

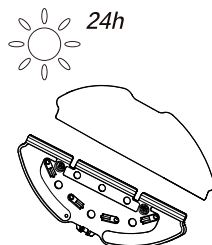
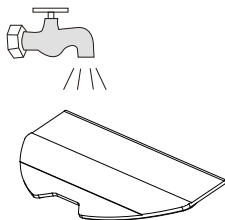
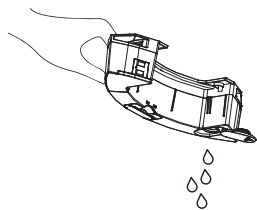
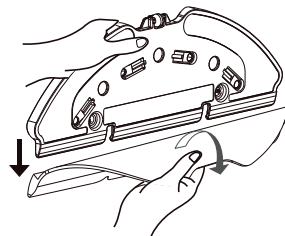
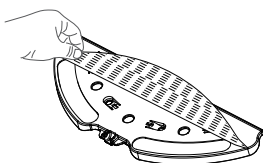
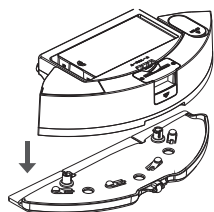
Senzor za sprečavanje pada



6.5 Čišćenje jedinica za čišćenje krpom

Preporučujemo da uklonite držač krpe sa jedne strane, ispraznite posudu za vodu, isperite krpu vodom i zatim je ostavite da se osuši nakon svakog rada jedinice za brisanje.

Krpu možete prati u mašini za pranje veša.



7 Rešavanje problema

Opšti uslovi greške

Greška	Uzrok i rešenje
Ne radi	<ol style="list-style-type: none">1. Nivo napunjenosti je nizak. Postavite usisivač na stanicu za punjenje tako da bude u ravni sa stubovima za punjenje. Dovedite dugme sa leve strane usisivača u položaj „I“; a usisivač će raditi automatski (Kada se usisivač potpuno isprazni, moraćete da ga puniti neko vreme kako bi mogao automatski da radi).2. Temperatura okoline je veoma niska (ispod 0 °C) ili veoma visoka (iznad 50 °C). Koristite usisivač na temperaturi okoline od 0 do 40 °C.3. Vodite računa da je dugme za uključivanje/isključivanje na bočnoj strani usisivača dovedeno u položaj „I“.
Baterija se ne puni	<ol style="list-style-type: none">1. Uklonite usisivač i proverite da li indikatorska lampica na stanici za punjenje svetli i uverite se da su oba kraja adaptera za napajanje priključne stanice za punjenje povezana.2. Labav kontakt. Očistite opružne kontakte na stanici za punjenje i kontakte za punjenje na usisivaču.3. Vodite računa da je dugme za uključivanje/isključivanje na bočnoj strani usisivača dovedeno u položaj „I“.
Ne vraća se na priključnu stanicu da bi se punio	<ol style="list-style-type: none">1. Previše je prepreka oko priključne stanice za punjenje. Postavite priključnu stanicu za punjenje na mesto na kojem nema prepreka.2. Usisivač je previše udaljen od priključne stanice za punjenje. Približite usisivač stanici za punjenje i pokušajte ponovo.3. Vodite računa da je stanica za punjenje uključena i da je ostvareno napajanje električnom energijom.
Neadekvatan rad	<ol style="list-style-type: none">1. Isključite i ponovo uključite.
Rad uz neredovnu buku.	<ol style="list-style-type: none">1. Strani materijali su možda zaglavljani u glavnoj četki, bočnoj četki i točkovima. Isključite usisivač i očistite ga.
Performanse čišćenja su niske/prašina izbija	<ol style="list-style-type: none">1. Posuda za prašinu je puna. Očistite posudu za prašinu.2. Filter je začepljen. Očistite ili zamenite filter.3. Strani materijali su se možda zaglavili u glavnoj četki. Očistite glavnu četku.
Povezivanje na Wi-Fi mrežu nije moguće.	<ol style="list-style-type: none">1. Wi-Fi signal je slab. Vodite računa da je Wi-Fi signal na mestu gde se nalazi usisivač jak.2. Stanje sa povezanošću na Wi-Fi mrežu nije redovno. Resetujte Wi-Fi, preuzmite najnoviju mobilnu aplikaciju i pokušajte ponovo.3. Lozinka nije ispravno uneta.4. Ruter koji se koristi je model koji radi u frekventnom opsegu od 5G (ovaj robot usisivač podržava samo frekvencijski opseg od 2,4G).

7 Rešavanje problema

Funkcija određenog vremena čišćenja ne radi	Nivo napunjenosti je nizak. Određeno vreme čišćenja može započeti samo kada je nivo napunjenosti $\geq 20\%$.
Usisivač troši energiju dok je na priključnoj stanici za punjenje	Usisivač troši veoma malo energije dok je na stanici za punjenje ili na stanici za prikupljanje prašine; ova funkcija omogućava održavanje performansi baterije na najboljem nivou.
Usisivač treba da se puni 16 sati u prve tri operacije punjenja	Litijumska baterija nema memorijski efekat kada se koristi i nije potrebno vreme čekanja kada je potpuno napunjena.

Lista grešaka

Kada je usisivač u kvaru, crveni indikator usisivača treperi i istovremeno se oglašava odgovarajuće zvučno upozorenje. Pratite zvučna upozorenja da biste rešili grešku.

Zvučno upozorenje	Rešenje
Greška 1: Stanje baterije nije redovno. Pogledajte uputstvo ili aplikaciju.	<ul style="list-style-type: none">Otvorite odeljak za baterije, proverite da li je priključak baterije u dobrom stanju i ponovo pokrenite usisivač.Temperatura baterije je veoma visoka ili veoma niska. Sačekajte dok temperatura baterije ne dostigne normalne vrednosti (0 °C~40 °C/32 °F~104 °F).
Greška 2: Stanje modula točka nije redovno. Pogledajte uputstvo ili aplikaciju.	<ul style="list-style-type: none">Proverite da li se u točkovima zaglavio strani materijal i ponovo pokrenite usisivač.
Greška 3: Stanje modula bočne četke nije redovno. Pogledajte uputstvo ili aplikaciju.	<ul style="list-style-type: none">Proverite da li se strani materijal zaglavio u bočnoj četki i ponovo pokrenite usisivač
Greška 4: Stanje ventilatora nije redovno. Pogledajte uputstvo ili aplikaciju.	<ul style="list-style-type: none">Proverite da li se strani materijal zaglavio u ulazu ventilatora i ponovo pokrenite usisivač.Proverite posudu za prašinu i filter i ponovo pokrenite usisivač.
Greška 5: Stanje rotirajuće četke nije redovno. Pogledajte uputstvo ili aplikaciju.	<ul style="list-style-type: none">Uklonite rotirajuću četku a zatim očistite rotirajuću četku, priključni deo četke, poklopac rotirajuće četke i mlaznicu za prašinu. Ponovo pokrenite usisivač nakon čišćenja.

7 Rešavanje problema

Greška 6: Stanje pumpe za vodu nije redovno. Pogledajte uputstvo ili aplikaciju.	<ul style="list-style-type: none">• Očistite posudu za vodu, priključke pumpe za vodu u posudi i uređaj i izlaz za vodu ispod usisivača i proverite modul za brisanje krpom. Pokušajte da ponovo pokrenete usisivač nakon čišćenja.
Greška 7: Stanje laserskog senzora nije redovno. Pogledajte uputstvo ili aplikaciju.	<ul style="list-style-type: none">• Proverite da li ima bilo kakvog stranog materijala unutar laserskog senzora, očistite po potrebi i ponovo pokrenite usisivač.
Greška 9: Aktivnost punjenja nije uredna. Očistite kontaktnu oblast za punjenje.	<ul style="list-style-type: none">• Proverite da li ima bilo kakve kontaminacije u oblasti za punjenje i očistite stubove za punjenje.• Proverite da li je baterija pravilno povezana.
Greška 10: Stanje usisivača nije redovno. Isključite i ponovo pokrenite.	<ul style="list-style-type: none">• Vratite glavno dugme u položaj 0 i vratite u položaj I i ponovo pokrenite usisivač
Greška 12: Performanse nisu uredne. Proverite da li je glavno dugme uključeno.	<ul style="list-style-type: none">• Prvo postavite glavno dugme u položaj za uključeno

**Arçelik A.S. Karaağaç Cad. No: 2-6
34445 Sütlüce, İstanbul, Türkiye**

www.beko.com